

WAI

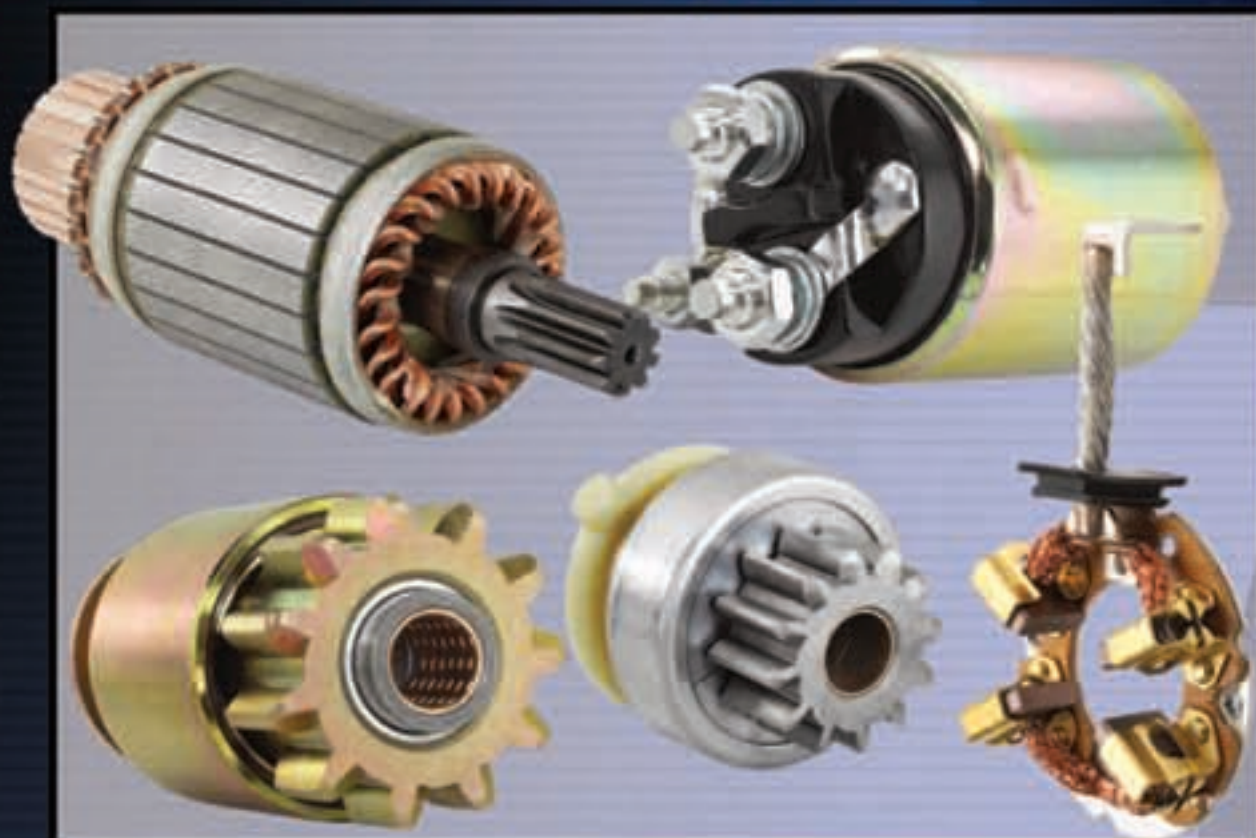
87-501-07
Supersedes Catalog 87-501-02

2007 Edition

STARTER

Parts

Domestic, Import, and Heavy Duty





FULL LINE AT COMPETITIVE PRICES

WAI offers the broadest selection of alternator and starter components for domestic, import and heavy duty applications — all available from one supplier, at competitive prices.

CONSISTENT QUALITY & PERFORMANCE

WAI has always stressed strict quality-assurance, quality control and honest, ethical business practices. We work hard at designing our products, qualifying our business partners and inspecting our products to make sure you are getting consistent quality with the best price-performance available. WAI's Pennsylvania distribution location and Transpo manufacturing facilities are ISO 9001 Certified.

SAME DAY SERVICE - OVERNIGHT DELIVERY

WAI can deliver parts where and when you need them. WAI's warehouses are committed to shipping all UPS orders placed before 5:00 p.m. the same day!

CUSTOMER SERVICE IS OUR FIRST PRIORITY

Whether it's looking-up product, cross referencing part numbers or providing technical assistance, the WAI sales team is well trained and ready to assist you.



Care is taken to ensure the accuracy of descriptions and applications of each item, but Wetherill Associates, Inc., assumes no responsibility for possible errors. Photos are intended for identification only and may not represent the specific part to be shipped. Units are remanufactured except where indicated 100% new.

Transpo and WAI are registered trademarks of Wetherill Associates, Inc. All other manufacturers' names used throughout this catalog are for application and identification purposes only with no intention to convey affiliation with their products.

Permission to reproduce any portion is denied.

Printed in U.S.A. COPYRIGHT © 2007 WETHERILL ASSOCIATES, INC.



TABLE OF CONTENTS - QUICK GUIDE

PREFACE

Table of Contents	II
Abbreviations	VI
Reference Guides.	VIII
Numbering System Guide	X

ILLUSTRATED BREAKDOWNS

Chrysler	2
Delco	4
Ford	80
Lucas	100
Mitsubishi	102

INTERCHANGE

Accurate & WAI Drives & Solenoids	701
---	-----

NUMERICAL INDEX

WAI# to Page	709
------------------------	-----

BUYER'S GUIDE

Starter Components	107
Armatures (61-)	107
Bearings (6-, 8-, 10-)	137
Brushes (68-)	161
Brush Holders (69-)	209
Bushings (62-)	233
Field Cases (57-)	271
Field Coils (59-)	277
Frames, C.E. (52-)	305
Frames, C.S. (53-)	315
Housings, D.E. (51-)	319
Shift Levers (55-)	361
Small Parts (71-, 72-, 76-, 79-)	367
Solenoids (7- Accurate, 66- WAI)	433
Solenoid Parts (66-)	513
Starter Drives (4- Accurate, 54- WAI)	557
Marine Outboards, PWC - Components	629
Motorcycle - Components	636
Small Engine - Components	637
Hardware (84-, 85-)	643
Shop Supplies (89-)	691

TABLE OF CONTENTS

PREFACE

Table of Contents	II
Abbreviations	VI
Reference Guides	VIII
Numbering System Guide	X

ILLUSTRATED BREAKDOWNS

Chrysler 2

Gear Reduction 1.5HP, 1.8HP	2
---------------------------------------	---

Delco 4

5MT, SD200, SD250 Series	4
5MT, SD200, SD250 Solenoid (Short Case)	12
10MT, SD300 Series	8
10MT, SD300 Solenoid (Long Case)	13
20MT, 22MT, 25MT, 27MT Series	14
28MT Series	18
30MT Series, External Rotatable	22
30MT Series, Internal Rotatable	24
35MT Series, External Rotatable	26
35MT Series, Internal Rotatable	28
37MT Series	30
38MT Series	34
39MT Series	38
40MT Series	42
40-50MT Solenoid, Oval Plate	46
40-50MT Solenoid, Square Plate	47
41MT Series	48
42MT Series	52
37MT, 41MT, 42MT Solenoids	56
50MT Series	58
PG100, PG200 Series	62
PG260D Series	64
PG260F1 Series	66
PG260F2 Series	68
PG260G Series	70
PG260L Series	72
PG260M Series	74
SD205, SD255 Series	76
SD210, SD260 Series	78

Ford 80

4"	80
4" Mod I	82
4" Mod II	84
4-1/2"	86
4-1/2" Mod I, II	88
OSGR (Lester 6669, 70)	90
PMGR	92
PMGR Noseless	96
PMGR w/ External Thru Bolts	98

Lucas 100

M50, M127	100
---------------------	-----

Mitsubishi 102

OSGR for Ford Diesel (Lester 17037)	102
PLGR for Ford Diesel (Lester 17578)	104

BUYER'S GUIDE

Starter - Armatures (61-) 107

Bosch	107
DD Starters (12V)	107
DD Starters (24V)	109
PLGR Starters	111
PMGR Starters	111
Delco	113
5MT, SD200-SD260 Series	113
10MT, SD300 Series	114
20-27MT Series	114
28MT Series	114
30MT, 35MT Series	115
37MT Series	115
39MT Series	115
40MT Series	116
41MT Series	116
42MT Series	116
50MT Series	117
PG200 Series	117
PG260 Series	118
Electroprecizia (Romania)	119
Ford	119
4" Starters	119
4-1/2" Starters	120
OSGR Starters	120
PMGR Starters	120
Hitachi	121
DD Starters	121
OSGR Starters (12V)	122
OSGR Starters (24V)	124
Lucas	124
Mando	125
Marelli	126
Mitsubishi	126
OSGR Starters (12V)	126
OSGR Starters (24V)	127
PLGR Starters	128
PMGR Starters	128
Nikko	130
Nippondenso	131
DD Starters	131
OSGR Starter (12V)	131
OSGR Starter (24V)	133
PLGR Starters	133
Valeo	134
Armature Parts - Commutators	135
Chrysler	135
Delco	135
Ford	135

Starter - Bearings (6-, 8-, 10-) 137

Ball Bearing Dimension Chart	137
Ball Bearings	141
Roller Bearings	156

Starter - Brushes (68-) 161

Brush Dimension Chart	161
Bosch	167
Chrysler	173
Delco	173
Electroprecizia (Romania)	181

TABLE OF CONTENTS

Ford	181	Starter - Field Coils (59-)	277
Hitachi	185	Bosch	277
Iskra	190	Chrysler	279
Leece-Neville	190	Delco	279
Lucas	190	5MT, SD200-SD260 Series	279
Mando	191	10MT, SD300 Series	281
Marelli	192	20-27MT Series	283
Mitsuba	193	28MT Series	284
Mitsubishi	193	30MT Series	285
Nikko	198	35MT Series	286
Nippondenso	199	37MT, 41MT Series	287
Prestolite	204	40MT Series	288
Valeo	206	42MT Series	290
		50MT Series	291
		Early Style, 6-12V	291
		Ford	293
		Hitachi	296
		Lucas	296
		Marelli	298
		Mitsubishi	298
		Nikko	299
		Nippondenso	300
		Prestolite	302
Starter - Brush Holders (69-)	209	Starter - Frames, C.E. (52-)	305
Brush Holder Assys.	209	Bosch	305
Bosch	209	Chrysler	305
Chrysler	212	Delco	305
Delco	212	5MT, SD200-SD260 Series	305
Electroprecizia (Romania)	216	10MT, 20-27MT, SD300 Series	306
Ford	216	28MT Series	307
Hitachi	217	30MT, 35MT Series	307
Lucas	218	37MT, 41MT Series	307
Mando	219	39MT Series	308
Mitsuba	219	40MT Series	308
Mitsubishi	220	42MT Series	308
Nippondenso	223	50MT Series	308
Brush Holder Parts	225	PG150, PG260F1,	309
Bosch	225	PG260F2 Series	309
Chrysler	226	PG260D Series	309
Delco	226	PG260G Series	309
Ford	229	PG260L Series	310
Lucas	231	PG260M Series	310
Mando	231	Ford	311
Mitsubishi	231	Lucas	312
Nippondenso	232	Mando	312
Prestolite	232	Mitsubishi	313
Valeo	232	Nippondenso	314
Starter - Bushings (62-)	233	Starter - Frames, C.S. (53-)	315
Bushing Dimension Chart	233	Bosch	315
Bosch	237	Delco	315
Chrysler	241	10MT-27MT Series	315
Delco	242	28MT Series	315
Electroprecizia (Romania)	251	30MT-50MT Series	316
Ford	251	Mitsubishi	318
Hitachi	254		
Leece-Neville	258	Starter - Housings, D.E. (51-)	319
Lucas	259	Delco	319
Mando	260	5MT, SD200, SD250 Series	319
Marelli	261	10MT, 20-27MT, SD300 Series (Aluminum)	323
Mitsuba	261	10MT, 20-27MT, SD300 Series (Cast Iron)	325
Mitsubishi	262	28MT Series	331
Nikko	265	(cont'd.)	
Nippondenso	265		
Prestolite	268		
Valeo	269		
Starter - Field Cases (57-)	271		
Delco	271		
Ford	274		
Mitsubishi	275		

TABLE OF CONTENTS

30MT, 35MT Series	333	37MT Series	452
37MT Series	333	40MT, 50MT Series	456
40MT, 42MT, 50MT Series	335	41MT Series	459
PG200, PG250 Series	336	42MT Series	460
PG260D Series	337	PG100, PG150, PG150S Series	463
PG260F1 Series	338	PG200, PG250, SD210, SD260 Series	463
PG260F2 Series	338	PG260 Series	464
PG260G Series	339	SD205, SD255 Series	465
PG260L Series	340	Electroprecizia (Romania)	466
PG260M Series	341	Ford	466
SD205, SD255 Series	343	4", 4-1/2" Starters	466
SD210, SD260 Series	344	OSGR Starters	467
Ford	346	PMGR Starters	468
4"	346	Hitachi	469
4-1/2"	348	DD Starters	469
PMGR Starters	350	OSGR Starters	473
PMGR Starters, Noseless	356	PMGR Starters	477
PMGR Starters, Offset	357	Leece-Neville	478
Hitachi	357	Lucas	479
Mitsubishi	358	Mando	481
Nippondenso	359	Marelli	482
Starter - Shift Levers (55-) 361		Mitsuba	482
Bosch	361	Mitsubishi	484
Chrysler	361	DD Starters	484
Delco	361	OSGR Starters	488
Ford	363	PLGR Starters	493
Lucas	364	PMGR Starters	493
Mando	364	Nikko	497
Mitsubishi	364	Nippondenso	499
Nippondenso	365	DD Starters	499
Valeo	366	OSGR Starters	502
Starter - Small Parts (71-, 72-, 76-, 79-) 367		Prestolite	504
Bosch	367	Valeo	504
Chrysler	372	Specialty Switches	505
Delco	372	Continuous Duty Solenoids	505
Ford	401	Engine Shut-Off Solenoids	508
Hitachi	414	Foot Operate Solenoids	508
Lucas	415	Series-Parallel & Magnetic Switches	509
Mando	416	Solenoid Switches	510
Mitsuba	417	Starter - Solenoid Parts (66-) 513	
Mitsubishi	417	Bosch	513
Nippondenso	422	Chrysler	517
Prestolite	431	Delco	518
Valeo	431	Ford	533
Specialty	432	Hitachi	534
Starter - Solenoids (7- Accurate, 66- WAI) 433		Leece-Neville	537
Bosch	433	Lucas	537
354 Series, 12V	433	Mitsuba	538
358-369 Series, 12V	433	Mitsubishi	539
360-368 Series, 24V	436	Nikko	544
410-417 Series, 24V	437	Nippondenso	544
413 Series, 12V	438	Specialty	555
DD Starters	438	Starter - Starter Drives (4- Accurate, 54- WAI) 557	
PLGR Starters	442	Starter Drive Reference Chart	557
PMGR Starters	443	Bosch	563
Chrysler	447	8-T, CW	563
Delco	448	9-T, CW	563
5MT, 10MT, 20-27MT, SD200, SD300	448	9-T, CW (358-369 Series)	567
28MT Series	450	9-T, CCW	569
30MT, 35MT Series	452	10-T, CW	570
		10-T, CW (358-369 Series)	571

TABLE OF CONTENTS

10-T, CCW	572
11-T, CW	573
12-T, CW	574
Clutch Assemblies	574
Pinion Gears	574
Delco	575
5MT, SD200, SD250 Series	575
5MT, 10MT, SD200, SD300 Series	576
10MT, 20-27MT, 30-35MT Series (14.3mm ID)	577
28MT Series	581
37MT Series	583
38MT, 39MT Series	584
40MT, 42MT, 50MT Series (15.9mm ID)	585
40MT, 50MT Series (19mm ID)	587
41MT Series	587
PG100, PG150 Series	588
PG200, PG250 Series	588
PG260D, PG260G, PG260L Series	588
PG260F1 Series	589
PG260F2 Series	589
PG260M Series	589
SD205, SD255 Series	589
SD210, SD260 Series	590
Screw Type Drive	590
Electroprecizia (Romania)	591
Ford	591
4", 4-1/2" Starters	591
OSGR Starters	592
PMGR Noseless Starters	593
PMGR Starters	593
Hitachi	594
8-T, CW	594
8-T, CCW	595
9-T, CW	595
9-T, CCW	598
10-T, CW	598
10-T, CCW	598
11-T, CW	598
11-T, CCW	599
15-T, CW	599
21-T, CCW	599
25-T, CCW	599
Clutch Assemblies	599
Pinion Gears	600
Leece-Neville	602
Lucas	602
9-T, CCW	602
10-T, CW	603
11-T, CW	604
13-T, CW	604
Mando	604
Marelli	605
Mitsuba	606
Mitsubishi	606
8-T, CW	606
8-T, CCW	608
9-T, CW	608
9-T, CCW	609
10-T, CW	609
10-T, CCW	610
11-T, CW	610
11-T, CCW	610
12-T, CCW	610

13-T, CW	611
Clutch Assemblies	611
Pinion Gears	613
Nikko	614
Nippondenso	614
8-T, CW	614
8-T, CCW	615
9-T, CW	615
9-T, CCW	617
10-T, CW	617
11-T, CW	618
12-T, CW	619
13-T, CW	619
13-T, CCW	619
Clutch Assemblies	620
Pinion Gears, 9-T	621
Pinion Gears, 10-T	622
Pinion Gears, 11-T	623
Pinion Gears, 13-T	624
Pinion Gears, 15-T	624
Prestolite	625
Valeo	625
Starter Drive Parts	625

Marine Outboards, PWC - Components 629

Motorcycle - Components 636

Small Engine - Components 637

Hardware (84-, 85-) 643

Screws - Standard	644
Screws - Metric	654
Thru Bolts - Standard	660
Thru Bolts - Metric	665
Nuts - Standard	669
Nuts - Metric	672
Washers - Standard	674
Washers - Metric	679
Washers, Non-Metallic - Standard	680
Washers, Non-Metallic - Metric	685
Pins	686
Rivets	686
Retainers	688
Woodruff Keys	689

Shop Supplies (89-) 691

Bonding Compounds	691
Emery Cloth	692
Grease & Lubricants	692
Packaging	694
Solder	697
Spray Paints & Varnishes	697
Tape	699
Tools	699

INTERCHANGE

Accurate & WAI Drives & Solenoids	701
---	-----

NUMERICAL INDEX

WAI# to Page	709
------------------------	-----

ABBREVIATION GUIDE

Abbreviation	Description	Abbreviation	Description
-	Negative	DU	Ducellier
+	Positive	EF	External Fan
1V	1-Groove V-Belt Pulley	EL	Electrodyne
1X	.0025 in. undersize	Elec.	Electrical
2V	2-Groove V-Belt Pulley	EP	Electroprecizia Romanian
2X	.0050 in. undersize	ER	External Regulated
3S	3-Groove Serpentine Belt Pulley	ER/EF	External Regulated and External Fan
3V	3-Groove V-Belt Pulley	ER/IF	External Regulated and Internal Fan
3X	.0075 in. undersize	Ext.	Extension or External
4/6S	4-Groove + 6-Groove Serpentine Belt Pulley	F	Field Terminal or Fahrenheit or Flats (measured across the hex flats)
4S	4-Groove Serpentine Belt Pulley	FC	Field Coil
4X	.0100 in. undersize	FD	Ford
5S	5-Groove Serpentine Belt Pulley	FE	FEMSA
6S	6-Groove Serpentine Belt Pulley	FLD	Field Terminal
7S	7-Groove Serpentine Belt Pulley	Fld.	Field
8S	8-Groove Serpentine Belt Pulley	Flg.	Flange
9S	9-Groove Serpentine Belt Pulley	Form.	Forming
A	Amp	FR	Field Report or Computer Input Terminal
AC	Alternating Current	Ft.	Foot
Adj.	Adjusting or adjustable	FWD	Front Wheel Drive
Alt.	Alternator	GEN	Generator Terminal
Amp	Amperes	GRD	Ground Terminal
ARM	Armature Terminal	Grd.	Ground
AS	External Sense (system reference voltage)	H	Height
Assy.	Assembly	Hi	High
Assys.	Assemblies	HI	Hitachi
AT	Automatic Transmission	Hi-Temp	High Temperature
Auto	Automobile	HL	Hi-Lo
AUX	Auxiliary Terminal	HP	Horse Power
B-	Battery Negative or Ground Terminal	Hsg.	Housing
B+	Battery Positive Terminal	HT	Height or High Torque
BAT	Battery Terminal	I	Indicator Light Terminal
Batt.	Battery	ID	Inside Diameter or Identification
BH	Brush Holder	IF	Internal Fan
BK	Back	IG	Ignition Terminal
BL	Blue	IGN	Ignition Terminal
BLK	Black	IK	Iskra
BO	Bosch	IMS	Integral Magnetic Switch
Brg.	Bearing	Incl.	Includes
Brl.	Barrel	IND	Indicator Light Terminal or Industrial
BSF	British Standard Fine	Int.	Internal
C	Computer Terminal	IR	Internal Regulated
C.E.	Commutator End	IR/EF	Internal Regulated and External Fan
C.S.	Center Support	IR/IF	Internal Regulated and Internal Fan
CCW	Counter Clockwise	ISOL	Isolation
CFC	Chlorofluorocarbon	kW	Kilowatt
CH	Chrysler	L	Length or Liter or Indicator Light Terminal
CJ	Cajavec	L.H.	Lever Housing
Ctr.	Center	LA	Lada
Cut.	Cutter	lb.	Pound
CV	CAV	LH	Lever Housing or Left Hand Side
CW	Clockwise	LI	Load Indication
D	Diameter or Dummy Terminal or Drive (input from vehicle PCM)	LL	Lead Length
D-	Ground or Earth Terminal	LN	Leece-Neville
D.E.	Drive End	LRC	Load Response Control
D+	Trio Terminal	LU	Lucas
DbI.	Double	mA	Milliamp (.001 amp)
DD	Direct Drive	MD	Mando
DF	Field Terminal	MF	Microfarad
Dia.	Diameter	Mfd.	Manufactured
Dim	Dimension	MI	Mitsubishi
DR	Delco	Min.	Minimum

ABBREVIATION GUIDE

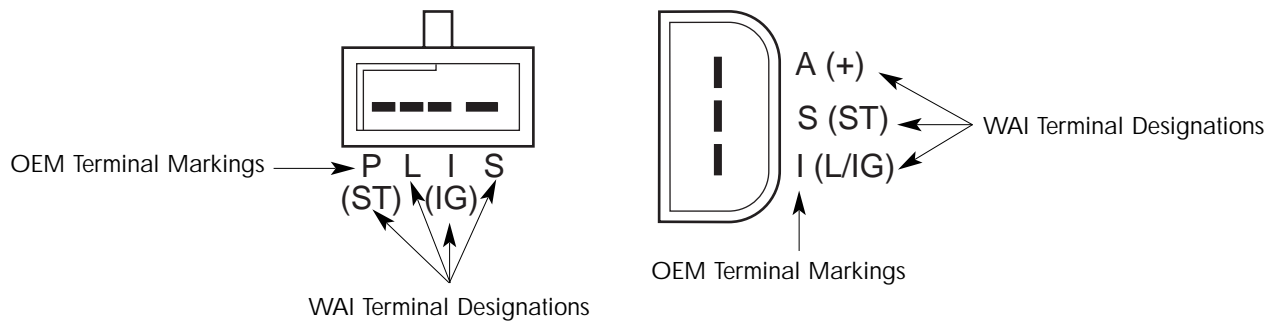
Abbreviation	Description	Abbreviation	Description
ml	Milliliter	Term.	Terminal
MM	Magneti-Marelli	Terms.	Terminals
mm	Millimeter	Thd.	Thread
MO	Motorola	Thk.	Thick
MT	Mitsuba or Manual Transmission	uA	Microamp (.000001 amp)
mtd.	Mounted	Undsz	Undersize
Mtg.	Mounting	UT	United Technologies
N	No	V	Volt or V-Belt
N/C	No Connection at Terminal	VA	Valeo
NA	Not Available	Volt Set	Voltage Setting
ND	Nippondenso	Vset	Voltage Set Point
Ndl.	Needle	W	Width
NE	Niehoff	w/	With
NEG	Negative	wo/	Without
Neg.	Negative	Y	Yes
NK	Nikko	YEL	Yellow
No.	Number		
Nos.	Numbers		
NPT	National Pipe Thread		
OAL	Overall Length		
OCP	Overcrank Protection		
OD	Outside Diameter		
OE	Original Equipment		
OEM	Original Equipment Manufacturer		
Opt.	Option		
OSGR	Offset Gear Reduction		
oz	Ounce		
P	Phase (output to vehicle PCM)		
PCM	Powertrain Control Module		
PF	Press-Fit		
pg	Page		
PI	Pressed In		
PL	Prestolite		
PLGR	Planetary Gear Reduction		
PMDD	Permanent Magnet Direct Drive		
PMGR	Permanent Magnet Gear Reduction		
PMOSGR	Permanent Magnet Offset Gear Reduction		
POS	Positive		
Pos.	Positive		
PR	Paris Rhone		
Prod.	Production		
R	Relay Terminal		
Ref.	Reference		
Reg.	Regulator		
Req.	Required		
RH	Right Hand Side		
R-Term.	Relay Terminal		
RWD	Rear Wheel Drive		
S.R.E.	Slip Ring End		
sec.	Second		
Sgl.	Single		
SNIP	Small Non-indexing Positorque		
Soln.	Solenoid		
SPL	Spline		
STA	Stator		
S-Term.	Switch Terminal		
S-Terminal	Switch Terminal		
Str.	Starter		
Strs.	Starters		
SV	SEV Marchal		
Sys.	System		
T	Teeth, Thickness or Terminal		
Temp.	Temperature		

REGULATOR TERMINAL REFERENCE GUIDE

REGULATOR TERMINAL DESIGNATIONS										
Electrical System	Field	Battery Sense	Ground (Earth)	Trio	Indicator Light	Ignition	Auxiliary	Stator	Field Report	Computer Input
Bosch	DF	B+, S	D-	D+	61, L	15	AUX	W, STA	DFM, FR	COM
CAV	DF	D+	D-	D+	L			STA		
Chrysler	FLD	B+	B-		L	IGN		STA		
Delco	F, FLD	B+	B-, GRD	D+	L	I, IGN		P, STA	F, FR	F, FR
Delco-Europe	DF	S	D-	D+	D+			STA		
Femsa	DF	B+	D-	D+	L, 61			STA		
Ford	FLD	A, AS, B+, S	B-		L, I, I/L		AUX	STA	GLI, LI	PCM, RC
Hitachi - ER	F	B+	E		L	IGN	AUX	N		
Hitachi - IR	FLD	B+, S	E	D+	L	IGN		STA	P	C, D
Iskra	DF	B+	D-	D+	L, 61			STA		
Lada	DF	B+, SENSE	E	L	IGN			STA		
Leece-Neville	F	B+	B-	TRIO	L	IGN		STA		
Lucas	DF	B+, D+	D-	D+	IND	IGN		STA		
Magneti Marelli	DF, 67	B+, 30	D-	D+	IND	IGN		STA		BECM
Magneton Pal	DF	B+		D+	L	IGN		STA		
Mando	FLD	B+	B-	D+	L					
Mitsubishi - ER	F	B+	E	D+	L, N	IGN	AUX	STA		
Mitsubishi - IR	F	B+, S	E	D+	L, N	IGN	AUX	STA	FR, P	D, FR, G
Motorola	FLD	S, +	B-	D+	L	IGN		STA		
Niehoff	FLD	S, +	B-	D+	L	IGN		STA		
Nikko	FLD	B+, S	B-	D+	L	IGN		STA		
Nippondenso - ER	F	B+	E	D+	L	IGN	AUX	STA		
Nippondenso - IR	F	B+, S	E	D+	L	IGN	AUX	STA	FR	ELD
Prestolite	FLD	B+	B-	TRIO	L	IGN		STA		
Valeo*	DF	B+, S, +	D-	D+	L, IND	IGN		W, STA	F	PCM

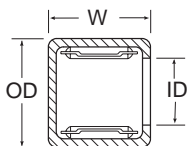
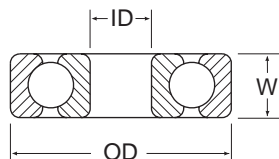
*Valeo includes: Ducellier, French Motorola, Paris Rhone, SEV Marchal

If the WAI terminal designation is different from the OEM terminal then the WAI designation will be displayed inside parentheses.



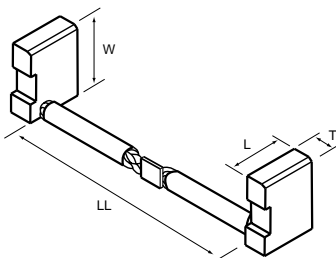
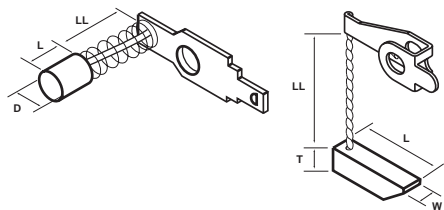
DIMENSION REFERENCE GUIDE

BALL BEARINGS & ROLLER BEARINGS



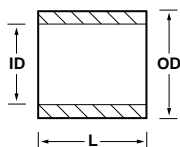
ID = Inside Diameter
OD = Outside Diameter
W = Width

BRUSHES



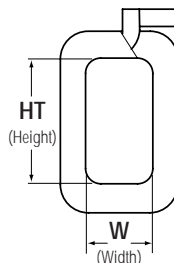
D = Brush Diameter
L = Brush Length
LL = Lead Length
T = Brush Thickness*
W = Brush Width*
 *Thickness vs width: thickness will always be the smaller dimension.

BUSHINGS



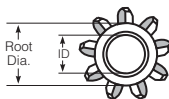
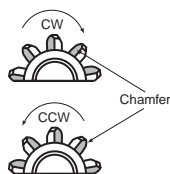
ID = Inside Diameter
OD = Outside Diameter
L = Length

FIELD COILS

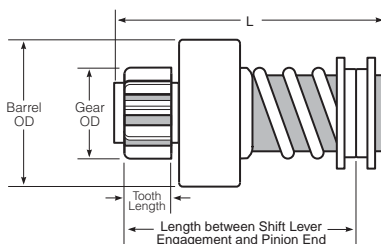


HT = Height of pole shoe opening
W = Width of pole shoe opening

STARTER DRIVES

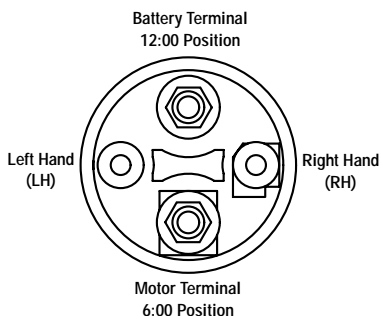


T= No. of Teeth
 SPL= No. of Splines



CW = Clockwise Rotation
CCW = Counter Clockwise Rotation
Gear OD = Outside Diameter of pinion gear
ID = Inside Diameter for armature shaft
L = Overall Length
T = Number of pinion gear teeth
SPL = Number of splines mating with armature

SOLENOID SWITCHES



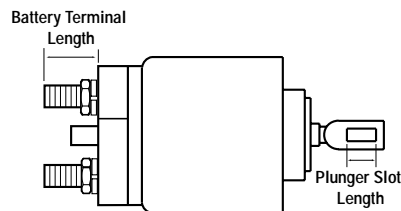
Location of the Switch or Relay Terminals

References to the location of the switch or relay terminals are made viewing the front of the solenoid cap with the battery terminal at the 12:00 clock position and the motor terminal at the 6:00 clock position.

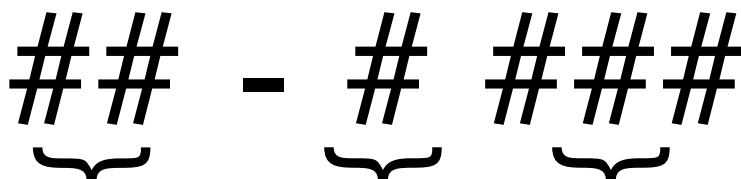
RH = Right Hand; **LH** = Left Hand

Length of Battery Terminal

References to the length of the battery terminal are measured from the end of the battery terminal to the solenoid cap surface.



NUMBERING SYSTEM GUIDE



WAI PRODUCT CODE

Identifies the part category and is indicated by the numbers before the dash.

WAI ELECTRICAL SYSTEM CODE

Identifies the electrical-system manufacturer and is indicated by the numbers after the dash.

SEQUENTIAL NUMBER CODE

Identifies a particular type of part within a part category and is indicated by the numbers after the electrical code.

WAI Product Code (## - # ###)

UNITS

- 1- Alternators
- 2- Starters
- 3- Generators

BEARINGS

- 6- Ball Bearings
- 8- Roller Bearings and Races
- 10- Special Ball Bearings
- 12- Tolerance Rings

ALTERNATORS & PARTS

- 20- Domestic Alternators ①
- 21- Frames, Drive-End
- 22- Frames, Slip Ring-End
- 24- Pulleys
- 25- Fans & Baffles
- 26- Alternator Kits
- 27- Stators
- 28- Rotors
- 31- Rectifiers ③
- 32- Diodes
- 33- Diode Trios ③
- 35- Voltage Regulators ③

- 38- Brushes
- 39- Brush Holders
- 41- Gaskets & Seals
- 42- Insulators
- 46- Misc. Alternator Parts
- 48- Sub-Assys.
- 49- Misc. Kits

STARTERS & PARTS

- 4- Accurate New Starter Drives
- 7- Accurate New Solenoids
- 9- Accurate New Switches
- 50- Domestic Starters ②
- 51- Frames, Drive-End
- 52- Frames, Commutator-End
- 53- Frames, Center-Support
- 54- Starter Drives
- 55- Shift Levers
- 56- Starter Kits
- 57- Field Housings
- 58- Pole Shoes
- 59- Field Coils
- 61- Armatures
- 62- Bushings

- 66- Solenoids
- 67- Switches
- 68- Brushes
- 69- Brush Holders
- 71- Gaskets & Seals
- 72- Insulators
- 76- Misc. Starter Parts
- 78- Sub-Assys.
- 79- Misc. Kits

GENERATOR & MOTOR PARTS

- 81- Generator Parts
- 82- Motor Parts

HARDWARE

- 84- Hardware, Standard
- 85- Hardware, Metric

EQUIPMENT & SHOP SUPPLIES

- 87- Catalogs
- 88- Equipment
- 89- Shop Supplies

① 20- domestic alternator part numbers are being replaced by 1- part numbers.

② 50- domestic starter part numbers are being replaced by 2- part numbers.

③ Most Rectifiers, Regulators & Trios are now under the Transpo part numbers.

WAI Electrical System Code (## - # ###)

DOMESTIC

- 1 Delco
- 2 Ford
- 3 Chrysler
- 4 Motorola
- 5 Leece-Neville
- 6 Prestolite
- 7 Miscellaneous

IMPORT, ASIAN

- 81 Hitachi
- 82 Nippondenso
- 83 Mitsubishi
- 84 Nikko
- 85 Mitsuba
- 86 Mando
- 89 Miscellaneous Asian

IMPORT, EUROPEAN

- 91 Bosch
- 92 Lucas
- 93 Marelli
- 94 Valeo
- 95 Iskra
- 99 Miscellaneous European

Note: Electrical System Code does not apply to...

Units: 1-, 2-, 3- part numbers

Universal parts: Bearings (6-, 10-), Hardware (84-, 85-), Shop Supplies (87-, 88-, 89-)

Transpo & Accurate part numbers

WAI Sequential Number Code (## - # ###)

1 - ALTERNATORS

1-1000 to -9999 Complete Alternator



2 - STARTERS

2-1000 to -9999 Complete Starter



3 - GENERATORS

3-1000 to -9999 Complete Generator



4 - ACCURATE STARTER DRIVES

4-100 to -9999 Accurate New Starter Drives*

*Note: WAI drives are 54- part number.



6 - BALL BEARINGS

6-100 6000 Series
 6-200 6200 Series
 6-300 6300 Series
 6-400 6400 Series
 6-600 600 Series
 6-700 R Series
 6-900 6900 Series
 6-2200 62200 Series
 6-2300 62300 Series
 6-3200 W6200 Series
 6-3300 W6300 Series
 6-8000 8000 Series



Suffix (Example):

6-203 Open Bearing (No Suffix)
 6-203- 1 Single Shield (Z)
 6-203- 2 Double Shields (ZZ)
 6-203- 3 Single Seal (RS)
 6-203- 4 Double Seals (2RS)

7 - ACCURATE SOLENOID SWITCHES

7-100 to -9999 Accurate New Solenoids*

*Note: WAI solenoids are 66- part number.



8 - NEEDLE/ROLLER BEARINGS & RACES

8-# 00 to 999 Needle/Roller Brg. & Race



9 - ACCURATE SWITCHES

9-100 to -9999 Accurate New Series Parallel Switches*

*Note: WAI switches are 67- part number.

10 - SPECIAL BEARINGS

10-000 to 9999 Special Bearing



12 - TOLERANCE RINGS

12-000 to 9999 Tolerance Ring



20 - ALTERNATORS

Note: 20- part numbers are being replaced with 1- numbers

21 - DRIVE END FRAMES, ALT.

21-# 00 to 999 D.E. Frame



22 - SLIP RING END FRAMES, ALT.

22-# 00 to 999 S.R.E. Frame



24 - PULLEYS

24-# 100 to 249 Small Bore V-Belt Pulley
 24-# 250 to 499 Small Bore Multi-Belt Pulley
 24-# 500 to 749 Large Bore V-Belt Pulley
 24-# 750 to 999 Large Bore Multi-Belt Pulley



25 - FANS & BAFFLES

25-# 00 to 89 Fan
 25-# 90 to 99 Baffle



26 - ALTERNATOR KITS

26-# 00 to 999 Alternator Kit

27 - STATORS

27-# 00 to 199 Stator
 27-# 200 to 299 Lamination
 27-# 300 to 499 Misc. Stator Part
 27-# 500 to 599 Slot Insulation
 27-# 600 to 699 Wedges



Suffix (Example):

27-101 New Stator (No Suffix)
 27-101- 9 Rewound Stator

28 - ROTORS

28-# 00 to 199 Rotor
 28-# 200 to 299 Coil Assy
 28-# 300 to 349 Bobbin
 28-# 350 to 399 Core
 28-# 400 to 599 Misc. Rotor Part
 28-# 600 to 699 Pole Piece
 28-# 700 to 849 Shaft
 28-# 850 to 999 Slip Ring



Suffix (Example):

28-113 New Rotor (No Suffix)
 28-113- 9 Rewound Rotor

31 - RECTIFIERS

31-# 00 to 199 Rectifier*
 31-# 200 to 299 Heat Sink
 31-# 300 to 399 Insulator
 31-# 400 to 599 Misc. Rectifier Part
 31-# 600 to 699 Terminal Block



*Note: most rectifiers are now Transpo part numbers

32 - DIODES

32-# 00 to 999 Diode*
 *Note: most diodes are WAI part numbers



33 - DIODE TRIOS

33-# 00 to 999 Diode Trio
 *Note: most diode trios are Transpo part numbers



35 - VOLTAGE REGULATORS

35-# 00 to 999 Voltage Regulator*
 *Note: most regulators are Transpo part numbers



NUMBERING SYSTEM GUIDE

WAI Sequential Number Code (## - # ###)

38 - BRUSHES, ALTERNATOR

- 38-# 00 to 799 Brush
- 38-# 800 to 999 Brush Kit



39 - BRUSH HOLDERS, ALTERNATOR

- 39-# 00 to 199 Brush Holder Assy.
- 39-# 200 to 399 Brush Holder
- 39-# 400 to 499 Insulator
- 39-# 500 to 699 Misc. Brush Holder Part
- 39-# 700 to 799 Brush Spring



41 - GASKETS & SEALS, ALTERNATOR

- 41-# 100 to 299 Gasket or Seal
- 41-# 300 to 499 Grommet, Boot
- 41-# 500 to 699 O-Ring
- 41-# 700 to 899 Oil Seal, Dust Seal



42 - INSULATORS, ALTERNATOR

- 42-# - 100 to 999 Insulator



46 - MISC. PARTS, ALTERNATOR

- 46-# 100 to 149 Capacitor
- 46-# 150 to 199 Terminal Post
- 46-# 200 to 249 Terminal Block
- 46-# 250 to 299 Lead
- 46-# 300 to 399 Connector or Bracket
- 46-# 400 to 499 Cover
- 46-# 500 to 549 Retainer
- 46-# 550 to 599 Sleeve
- 46-# 600 to 699 Spacer
- 46-# 700 to 799 Metal Stamping
- 46-# 800 to 849 Plug or Harness
- 46-# 850 to 999 Misc. Alternator Part



48 - SUB-ASSEMBLIES, ALTERNATOR

- 48-# 00 to 999 Sub-Assembly

49 - MISC. KITS, ALTERNATOR

- 49-# 100 to 499 Repair Kit
- 49-# 500 to 699 Terminal Kit



50 - STARTERS

Note: 50- part numbers are being replaced with 2- numbers.

51 - DRIVE END HOUSINGS, STR.

- 51-# 00 to 999 D.E. Housing



52 - COMMUTATOR END FRAMES, STR.

- 52-# 00 to 999 C.S. Frame



53 - CENTER SUPPORTS, STR.

- 53-# 00 to 999



54 - STARTER DRIVES

- 54-# 00 to 199 Starter Drive*
- 54-# 200 to 399 Pinion*
- 54-# 400 to 499 Clutch*
- 54-# 500 to 599 Roller
- 54-# 600 to 699 Drive Spring
- 54-# 700 to 799 Drive Body



- 54-# 800 to 999 Misc. Drive Part
- *Note: Accurate drives are 4- part number.

55 - SHIFT LEVERS

- 55-# 00 to 199 Shift Lever
- 55-# 200 to 299 Pin
- 55-# 300 to 399 Button
- 55-# 400 to 499 Misc. Shift Lever Part



56 - STARTER KITS

- 56-# 00 to 999 Starter Kit

57 - FIELD HOUSINGS

- 57-# 00 to 199 Field Case
- 57-# 200 to 299 Field Case Assy.
- 57-# 300 to 399 Field Case Kit
- 57-# 400 to 499 Sub-Assembly
- 57-# 500 to 599 Misc. Field Case Part



58 - POLE SHOES

- 58-# 00 to 499 Pole Shoe
- 58-# 500 to 999 Permanent Magnets



59 - FIELD COILS

- 59-# 00 to 899 Field Coil
- 59-# 900 to 999 Shunt Coil



61 - ARMATURES, STARTER

- 61-# 00 to 199 Armature
- 61-# 200 to 299 Commutator
- 61-# 300 to 399 Hairpin Coil
- 61-# 400 to 499 Slot Insulation
- 61-# 500 to 599 End Fiber Insulator
- 61-# 600 to 699 Lamination
- 61-# 700 to 799 Misc. Armature Part
- 61-# 800 to 999 Shaft



Suffix (Example):

- 61-127 New Armature (No Suffix)
- 61-101-9 Remanufactured Armature

62 - BUSHINGS, STARTER

- 62-# 100 to 199 .000" - .199" ID
- 62-# 200 to 299 .200" - .299" ID
- 62-# 300 to 399 .300" - .399" ID
- 62-# 400 to 499 .400" - .499" ID
- 62-# 500 to 599 .500" - .599" ID
- 62-# 600 to 699 .600" - .699" ID
- 62-# 700 to 799 .700" - .799" ID
- 62-# 800 to 899 .800" - .899" ID
- 62-# 900 to 999 .900" - up ID



Suffix (Example):

- 62-1400 Standard Size (No Suffix)
- 62-1400-1 .0025" Undersize (X)
- 62-1400-2 .0050" Undersize (XX)
- 62-1400-3 .0075" Undersize (XXX)
- 62-1400-4 .0100" Undersize (XXXX)
- 62-1400-7 Oversize Bushing
- 62-1400-8 Split Bushing

WAI Sequential Number Code (## - # ###)

66 - SOLENOID SWITCHES

66-# 00 to 199	Solenoid Switch Assy.*
66-# 200 to 299	Cap Assy. or Plate Assy.
66-# 300 to 349	Cap or Plate
66-# 350 to 399	Stationary Contact or Term.
66-# 400 to 449	Gasket, Seal or Insulator
66-# 450 to 499	Solenoid Coil
66-# 500 to 549	Soln. Body w/ Coil Assy.
66-# 550 to 599	Spring
66-# 600 to 649	Plunger
66-# 650 to 699	Movable Contact
66-# 700 to 749	Movable Contact Assy.
66-# 750 to 999	Misc. Solenoid Part



*Note: Accurate solenoids are 7- part number.

67 - SWITCHES

67-# 00 to 199	Switch Assy.*
67-# 200 to 249	Cap Assy
67-# 250 to 299	Cap
67-# 300 to 349	Coil Assy.
67-# 350 to 399	Coil
67-# 400 to 449	Breaker Point or Collar Assy.
67-# 450 to 499	Breaker Point or Collar
67-# 500 to 549	Gasket, Seal or Insulator
67-# 550 to 599	Spring
67-# 600 to 649	Plunger
67-# 650 to 699	Movable Contact
67-# 700 to 749	Movable Contact Assy.
67-# 800 to 999	Misc. Switch Part



*Note: Accurate switches are 7-, 9- part numbers.

68 - BRUSHES, STARTER

68-# 00 to 799	Brush
68-# 800 to 999	Brush Kit



69 - BRUSH HOLDERS, STARTER

69-# 00 to 199	Brush Holder Assy.
69-# 200 to 399	Brush Holder
69-# 400 to 499	Insulator
69-# 500 to 699	Misc. Brush Holder Part
69-# 700 to 799	Brush Spring



71 - GASKETS & SEALS, STARTER

71-# 100 to 299	Gasket or Seal
71-# 300 to 499	Grommet, Boot or Plug
71-# 500 to 699	O-Ring
71-# 700 to 899	Oil Seal



72 - INSULATORS, STARTER

72-# 100 to 999	Insulator
-----------------	-----------



76 - MISC. PARTS, STARTER

76-# 100 to 199	Band or Cover
76-# 200 to 249	Sleeve
76-# 250 to 299	Bracket or Connector
76-# 300 to 499	Metal Stamping
76-# 500 to 549	Contact Post or Spring
76-# 550 to 599	Terminal Post
76-# 600 to 699	Lead Wire
76-# 700 to 749	Spring



76-# 800 to 999	Misc. Starter Part
-----------------	--------------------

78 - SUB ASSEMBLIES, STARTER

78-# 00 to 999	Sub-Assembly
----------------	--------------

79 - MISC. KITS, STARTER

79-# 100 to 299	Repair Kit
79-# 300 to 499	Seal Kit
79-# 500 to 699	Terminal Kit



81 - GENERATOR PARTS

81-# 100 to 199	Armature
81-# 200 to 299	Brush
81-# 300 to 399	Bushing
81-# 400 to 499	End Frame
81-# 500 to 599	Field Coil
81-# 600 to 699	Misc. Generator Part
81-# 700 to 774	Pulley
81-# 775 to 799	Fan
81-# 800 to 999	Repair Kit
81-# 900 to 999	Generator Regulator



82 - MOTOR PARTS

82-# 100 to 149	Armature
82-# 150 to 199	Brush
82-# 200 to 249	Bushing
82-# 250 to 299	End Frame
82-# 300 to 349	Field Case or Case Assy.
82-# 350 to 399	Field Coil
82-# 400 to 449	Terminal Post
82-# 450 to 499	Contact or Contact Assy.
82-# 500 to 549	Repair Kit
82-# 600 to 699	Gasket, Seal or Insulator
82-# 700 to 799	Metal Stamping
82-# 850 to 899	Complete Motor
82-# 900 to 999	Misc. Motor Part



84 - HARDWARE, STANDARD

84-1	Screw
84-2	Nut
84-3	Rivet
84-4	Metal Washer
84-5	Pin
84-6	Woodruff Key
84-7	Insulating Washer
84-8	Retainer
84-9	Special Fastener



Sizes:

84-# 100 to 199	No. 2 - 6 (.086" - .163")
84-# 200 to 299	No. 8 (.164" - .189")
84-# 300 to 399	No. 10 - 12 (.190" - .249")
84-# 400 to 499	1/4 - 5/16 (.250" - .374")
84-# 500 to 599	3/8 - 7/16 (.375" - .499")
84-# 600 to 699	1/2 - 5/8 (.500" - .749")
84-# 700 to 799	3/4 - Up (.750" - up)
84-# 900 to 999	Misc. Standard Hardware

NUMBERING SYSTEM GUIDE

WAI Sequential Number Code (## - # ###)

85 - HARDWARE, METRIC

85-1	Screw
85-2	Nut
85-3	Rivet
85-4	Metal Washer
85-5	Pin
85-6	Woodruff Key
85-7	Insulating Washer
85-8	Retainer
85-9	Special Fastener



Sizes:

85-# 100 to 199	1 - 2 mm
85-# 200 to 299	3 - 4 mm
85-# 300 to 399	5 - 6 mm
85-# 400 to 499	7 - 8 mm
85-# 500 to 599	10 - 12 mm
85-# 600 to 699	14 - 16 mm

87 - CATALOGS

87-100 to 999 Catalogs

88 - EQUIPMENT

88-100 to 999 Equipment or Accessories

89 - SHOP SUPPLIES

89-100 to 999 Shop Supplies

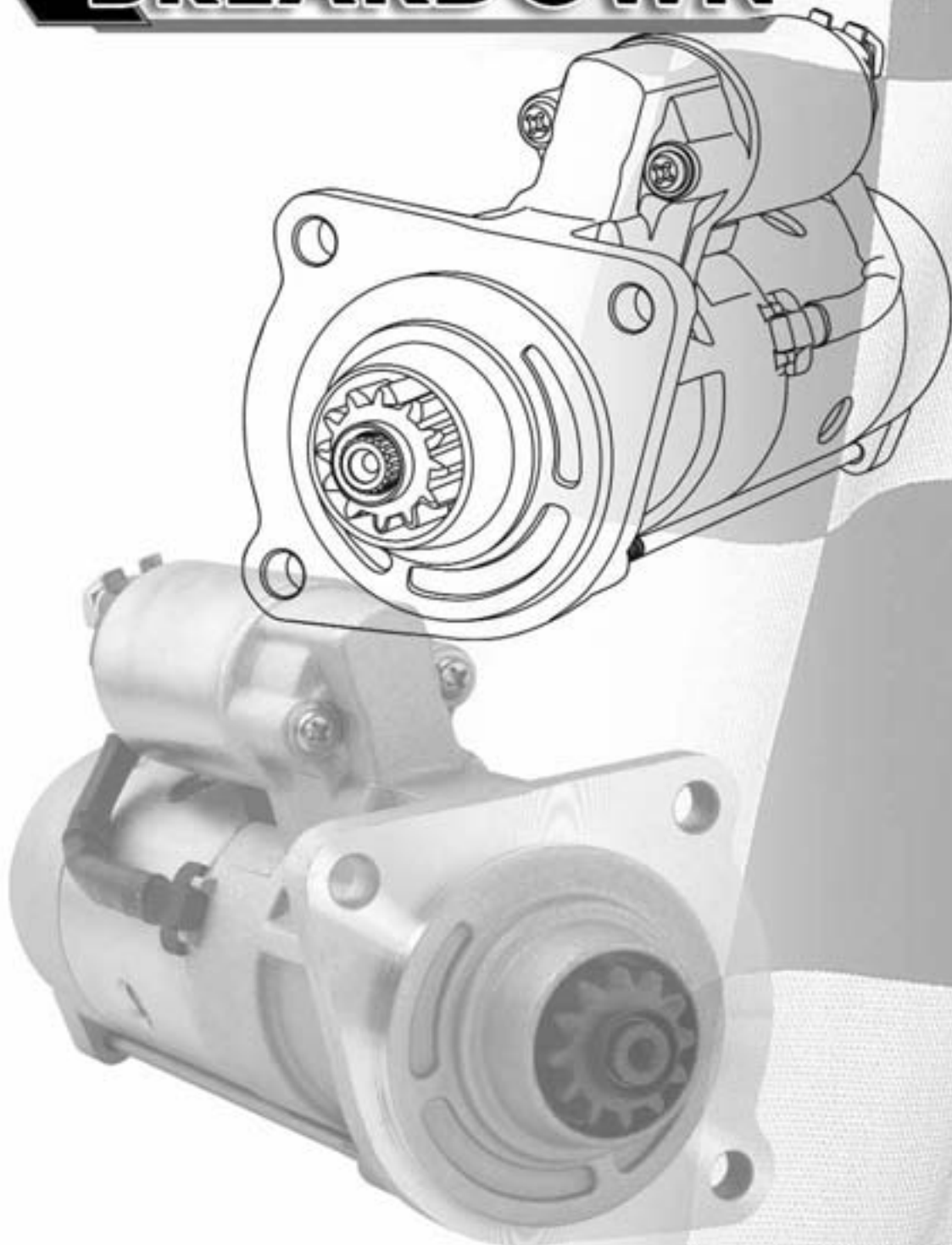


TRANSPO Part Number Code (#####)

BM	Ignition Module - Bosch
BR	Regulator/Rectifier - Briggs Stratton
C	Regulator - Chrysler
CE	Regulator - CAV
CM	Ignition Module - Chrysler
CR	Rectifier - Chrysler
D	Regulator - Delco
DE	Regulator - Delco (non-USA)
DER	Rectifier - Delco (non-USA)
DET	Diode Trio - Delco (non-USA)
DM	Ignition Module - Delco
DR	Rectifier - Delco
DT	Tester - Diode or Diode Trio - Delco
F	Regulator - Ford
FB	Regulator - Ford
FM	Ignition Module - Ford
FR	Rectifier - Ford
GCR	Rectifier - EZ-GO
GH	Regulator/Rectifier - Grasshopper
GR	Regulator - Ford
H	Regulator - Harley Davidson
HEC	Ignition Module w/ Coil - Bosch
HM	Ignition Module - Hitachi
HN	Ignition Module - Honda
IB	Regulator - Bosch
IBR	Rectifier - Bosch
ID	Regulator - Ducellier/Valeo
IDR	Rectifier - Ducellier/Valeo
IF	Regulator - Femsa
IH	Regulator - Hitachi
IHR	Rectifier - Hitachi
IK	Regulator - Iskra
IL	Regulator - Lucas
ILR	Rectifier - Lucas
IM	Regulator - Mitsubishi
IMR	Rectifier - Mitsubishi
IN	Regulator - Nippondenso
INP	Terminal Block - Nippondenso
INR	Rectifier - Nippondenso
IP	Regulator - Paris Rhone/Valeo

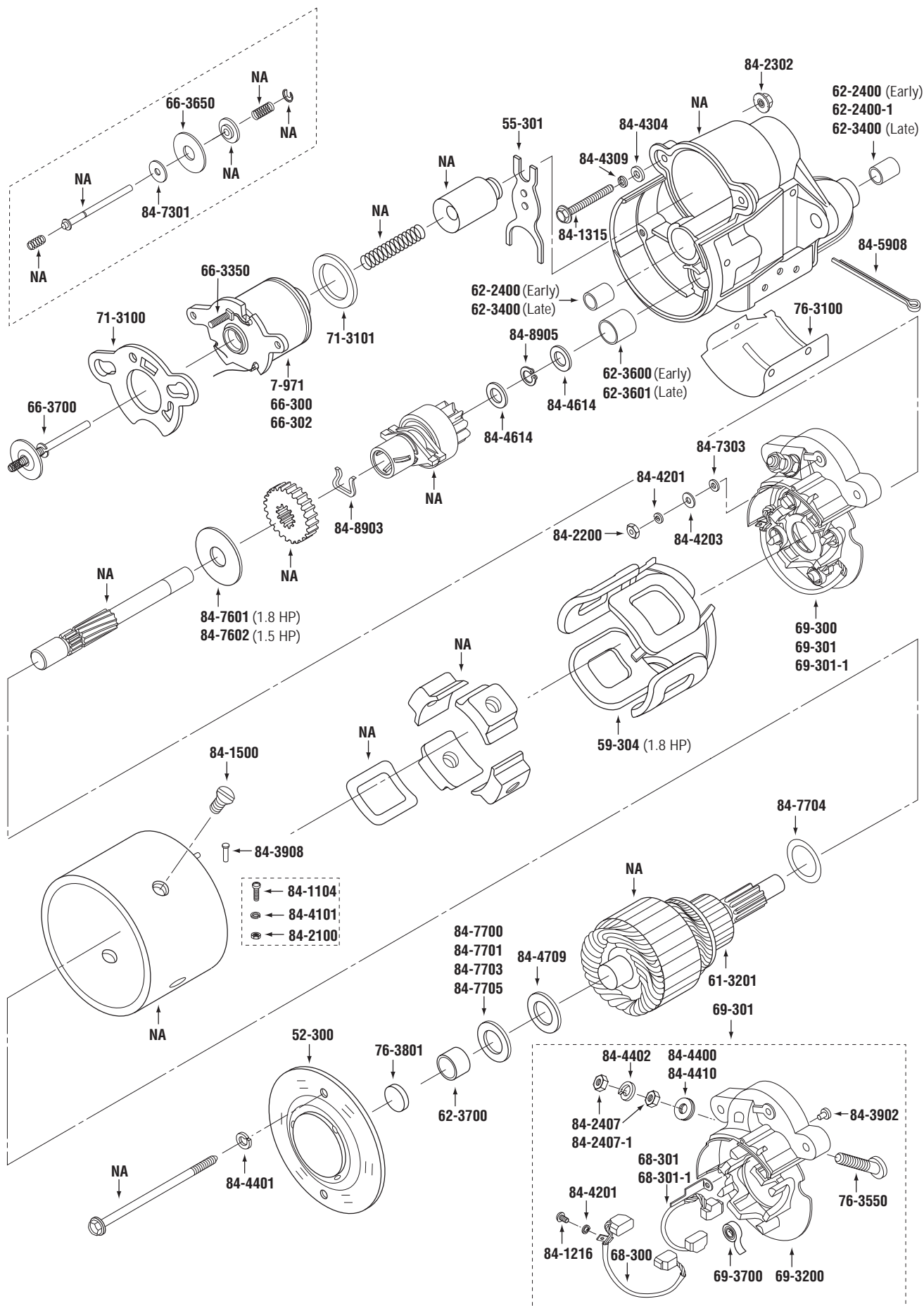
IPR	Rectifier - Paris Rhone/Valeo
IR	Regulator - Lada
IS	Regulator - SEV/Valeo
ISR	Rectifier - SEV/Valeo
IW	Regulator - Sawafuji
IX	Regulator - Marelli
IXR	Rectifier - Marelli
IY	Regulator - Mando
IYR	Rectifier - Mando
IZ	Regulator - Nikko
JDR	Regulator/Rectifier - John Deere
KH	Rectifier - Kohler
KNR	Rectifier - Kawasaki
KNV	Regulator - Kawasaki
KW	Regulator/Rectifier - Kawasaki
L	Regulator - Leece-Neville
LM	Ignition Module - Lucas
LR	Rectifier - Leece-Neville
M	Regulator - Motorola
MAP	Sensor - MAP
MER	Rectifier - Motorola/Valeo
MM	Ignition Module - Mitsubishi
MP	Regulator - Magneton Pal
MR	Rectifier - Motorola
NM	Ignition Module - Nippondenso
P	Regulator - Prestolite
PR	Rectifier - Prestolite
RM	Ignition Module - Lada
RT	Tester - Rotor
S	Regulator/Rectifier - Motorcycle
ST	Tester - Stator
TRI	Repair Circuit
TRR	Regulator/Rectifier - Mercury Marine
V	Regulator - Voyager Series
VM	Ignition Module - Valeo
VR	Voltage Reducer
VRC	Tester - Regulator
WAF	Wire Harness
XM	Ignition Module - Marelli

ILLUSTRATED BREAKDOWN



CHRYSLER GEAR REDUCTION 1.5HP, 1.8HP

CHRYSLER GEAR REDUCTION

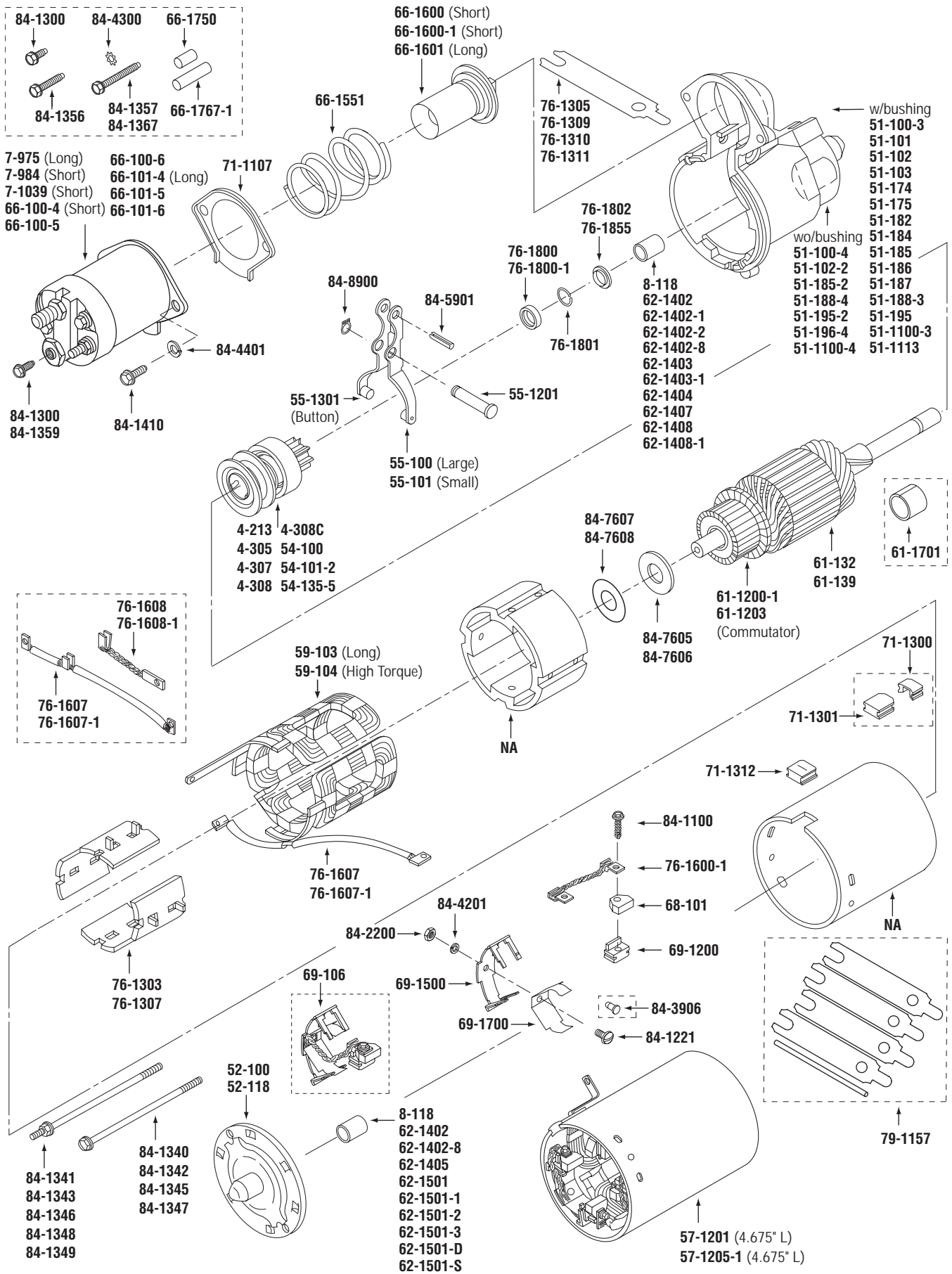


CHRYSLER GEAR REDUCTION 1.5HP, 1.8HP

WAI No.	Description	WAI No.	Description
7-971	SOLENOID (w/ Mtg. Ears, Wide Gap in Sleeve, Accurate)	84-2200	HEX NUT - Soln. Relay Term. (8-32 x 11/32 F x 1/8 T)
52-300	END FRAME	84-2302	HEX NUT - Brush Holder Mtg. (10-24 x 3/8 F x 9/32 T, Serrated Flange)
55-301	SHIFT LEVER (1-1/4 ID, Wide Fork)	84-2407	HEX NUT - Batt. Term. (5/16-18 x 1/2 F x 3/16 T, Zinc Plated)
59-304	FIELD COIL - 1.8 HP Strs.	84-2407-1	HEX NUT - Batt. Term. (5/16-18 x 1/2 F x 1/4 T, Zinc Plated)
61-3201	COMMUTATOR - Armature	84-3902	RIVET - Contact (5/32 Dia. x 1/4 L, Copper)
62-2400	BUSHING - D.E. (.4725 ID x .5955 OD x .735 L)	84-3908	RIVET - Field Coil to Grd. (1/8 Dia. x 1/2 L, Copper)
62-2400-1	BUSHING - D.E. (1X-Undersize, .4700 ID x .5955 OD x .735 L)	84-4101	LOCK WASHER - Field Coil to Grd. (#6 ID, Split)
62-3400	BUSHING - D.E. (.4720 ID x .6007 OD x .750 L)	84-4201	LOCK WASHER - Field Coil to Brush (#8 ID, Split)
62-3600	BUSHING - Gear Hsg. (.6865 ID x .8145 OD x .670 L)	84-4203	FLAT WASHER - Soln. Relay Term. (#8 ID)
62-3601	BUSHING - Gear Hsg. (.6885 ID x .8205 OD x .705 L)	84-4304	FLAT WASHER - Brush Holder Mtg. (#10 ID)
62-3700	BUSHING - End Frame (.7425 ID x .8780 OD x .590 L)	84-4309	LOCK WASHER - Brush Holder Mtg. (#10 ID, Split)
66-300	SOLENOID - Early Style (wo/ Mtg. Ears)	84-4400	WASHER W/ SEAL - Batt. Term. (9/32 ID, Conical)
66-302	SOLENOID (w/ Mtg. Ears, Wide Gap in Sleeve)	84-4401	LOCK WASHER - Thru Bolt (1/4 ID, Split)
66-3350	TERMINAL POST - Switch (8-32 x 3/4)	84-4402	LOCK WASHER - Batt. Term. (5/16 ID, Split)
66-3650	MOVABLE CONTACT (Cadmium Plated)	84-4410	WASHER W/ SEAL - Batt. Term. (5/16 ID, Conical)
66-3700	MOVABLE CONTACT ASSY.	84-4614	SPACER - Drive Shaft (15/32 ID)
68-300	BRUSH - Ref# C-4 (8-32 Threaded Term.)	84-4709	SPACER - Armature (3/4 ID)
68-301	BRUSH - Ref# C-5T/10 (10-32 Threaded Term.)	84-5908	COTTER PIN - Shift Lever (5/32 Dia. x 2-1/2 L)
68-301-1	BRUSH - Ref# C-5 (Unthreaded Term.)	84-7301	INSULATING WASHER - Movable Contact (#10 ID)
69-300	BRUSH HOLDER ASSY. - Early Style (wo/ Mtg. Ears)	84-7303	INSULATING WASHER - Soln. Relay Term. (#8 ID)
69-301	BRUSH HOLDER ASSY. - 1.5 HP, 1.8 HP Strs.	84-7601	BRAKE WASHER - Gear, 1.8 HP Strs. (11/16 ID x 1-1/2 OD, Leather)
69-301-1	BRUSH HOLDER ASSY. - 1.5 HP, 1.8 HP Strs.	84-7602	BRAKE WASHER - Gear, 1.5 HP Strs. (11/16 ID x 1-3/4 OD, Leather)
69-3200	BRUSH HOLDER - 1.5 HP, 1.8 HP Strs.	84-7700	BRAKE WASHER - Armature (3/4 ID x 1-1/4 OD, Fiber)
69-3700	BRUSH SPRING	84-7701	BRAKE WASHER - Armature (3/4 ID x 1-1/4 OD, Fiber)
71-3100	GASKET - Solenoid	84-7703	BRAKE WASHER - Armature (3/4 ID x 1-1/4 OD, Fiber)
71-3101	GASKET - Solenoid	84-7704	WASHER - Armature, 1.8 HP Strs. (1 ID x 1-1/2 OD, Fiber)
76-3100	COVER - Gear Hsg.	84-7705	BRAKE WASHER - Armature (3/4 ID x 1-1/4 OD, Fiber)
76-3550	BATTERY TERMINAL POST (5/16-18, Copper)	84-8903	RETAINER - Reduction Gear Shaft (.43 ID x .061 T)
76-3801	OIL WICK - End Frame	84-8905	SNAP RING - Starter Drive (.428 ID x .042 T, Ext.)
84-1104	SCREW - Field Coil to Grd. (5-40 x 1/2 L, Slotted)		
84-1216	SCREW - Field Coil to Brush (8-32 x 1/4 L, Phillips)		
84-1315	SCREW - Brush Holder Mtg. (10-24 x 1-3/4 L, Hex)		
84-1500	SCREW - Pole Shoe (3/8-16 x 5/8 L)		
84-2100	HEX NUT - Field Coil to Grd. (5-40 x 1/4 F x 3/32 T)		

DELCO 5MT, SD200, SD250 SERIES

DELCO 5MT, SD200, SD250 SERIES



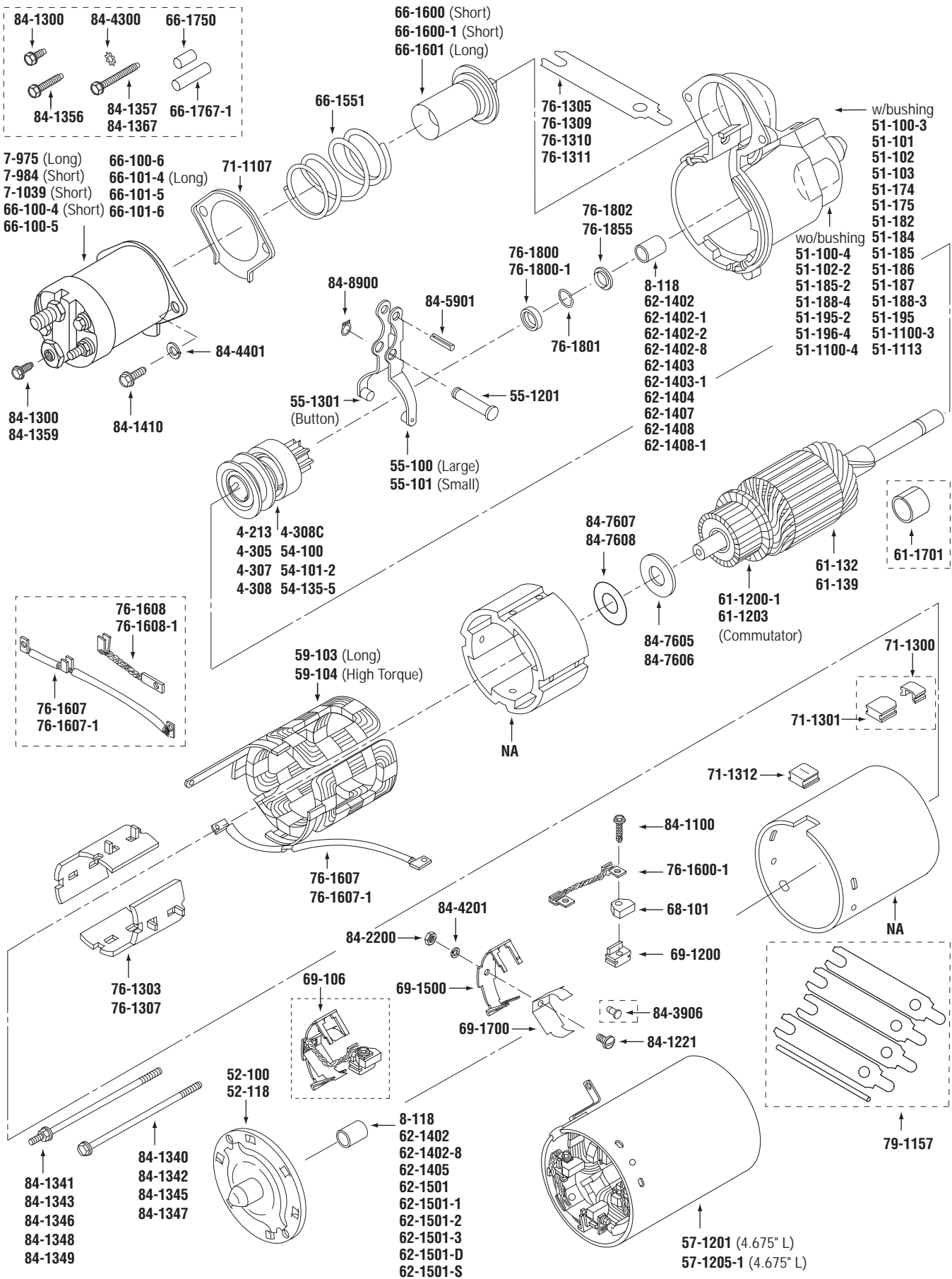
DELCO 5MT, SD200, SD250 SERIES

WAI No.	Description	WAI No.	Description
4-213	STARTER DRIVE (9-T, CW, 3-SPL, 80mm L, Accurate)	61-1701	COLLAR - 61-139 Armature Shaft
4-305	STARTER DRIVE (9-T, CW, 3-SPL, 69mm L, Accurate)	62-1402	BUSHING - D.E., C.E. (.4730 ID x .5195 OD x .500 L)
4-307	STARTER DRIVE (9-T, CW, 3-SPL, 69mm L, Cushioned Pinion, Accurate)	62-1402-1	BUSHING - D.E., C.E. (1X-Undersize, .4705 ID x .5195 OD x .500 L)
4-308	STARTER DRIVE (9-T, CW, 3-SPL, 69mm L, Heavy Duty, Accurate)	62-1402-2	BUSHING - D.E., C.E. (2X-Undersize, .4680 ID x .5195 OD x .500 L)
4-308C	STARTER DRIVE (9-T, CW, 3-SPL, 69mm L, Cushioned Pinion, Heavy Duty, Accurate)	62-1402-8	BUSHING - D.E., C.E. (Split Type, .4730 ID x .5195 OD x .500 L)
7-975	SOLENOID - 4-Terms., Long Style (Cadmium Plated Contact, w/ Extension Kit, Accurate)	62-1403	BUSHING - D.E. (.4733 ID x .5956 OD x .500 L)
7-984	SOLENOID - 4-Terms., Short Style (Cadmium Plated Contact, w/ Extension Kit, Accurate)	62-1403-1	BUSHING - D.E. (1X-Undersize, .4708 ID x .5956 OD x .500 L)
7-1039	SOLENOID - 4-Terms., Short Style (Cadmium Plated Contact, Sealed Terminals, Accurate)	62-1404	CONVERSION BUSHING - D.E. (.4726 ID x .6265 OD x .500 L)
8-118	NEEDLE BEARING - D.E., C.E. (11mm ID x 16mm OD x 12.7mm W)	62-1405	CONVERSION BUSHING - C.E. (.4726 ID x .6265 OD x .650 L)
51-100-3	D.E. HOUSING (10mm Pad Mtg. w/ Bushing)	62-1407	CONVERSION BUSHING - D.E. (.4395 ID x .5196 OD x .500 L)
51-100-4	D.E. HOUSING (10mm Pad Mtg. wo/ Bushing)	62-1408	CONVERSION BUSHING - D.E., Replaces Ndl. Brg. (.4396 ID x .6265 OD x .500 L)
51-101	D.E. HOUSING (10mm Pad Mtg. w/ Bushing)	62-1408-1	CONVERSION BUSHING - D.E., Replaces Ndl. Brg. (1X-Undersize, .4371 ID x .6265 OD x .500 L)
51-102	D.E. HOUSING (10mm Pad Mtg. w/ Bushing)	62-1501	BUSHING - C.E. (.5642 ID x .6280 OD x .650 L)
51-102-2	D.E. HOUSING (10mm Pad Mtg. wo/ Bushing)	62-1501-1	BUSHING - C.E. (1X-Undersize, .5617 ID x .6280 OD x .650 L)
51-103	D.E. HOUSING (11mm 2-Ear Flg. Mtg. w/ Bushing)	62-1501-2	BUSHING - C.E. (2X-Undersize, .5592 ID x .6280 OD x .650 L)
51-174	D.E. HOUSING (3/8 Pad Mtg.)	62-1501-3	BUSHING - C.E. (3X-Undersize, .5567 ID x .6280 OD x .650 L)
51-175	D.E. HOUSING (3/8 Pad Mtg.)	62-1501-D	BUSHING - C.E. (Split Type, .5642 ID x .6280 OD x .650 L)
51-182	D.E. HOUSING (10mm Pad Mtg. w/ Bushing)	62-1501-S	BUSHING - C.E. (Split Type, .5642 ID x .6280 OD x .720 L)
51-184	D.E. HOUSING (10mm Pad Mtg. w/ Bushing)	66-100-4	SOLENOID - 4-Terms., Short Style (Nickel Plated Contact, Bulk 20/Case)
51-185	D.E. HOUSING (10mm Pad Mtg. w/ Bushing)	66-100-5	SOLENOID - 4-Terms., Short Style (Cadmium Plated Contact, Bulk 20/Case)
51-185-2	D.E. HOUSING (10mm Pad Mtg. wo/ Bushing)	66-100-6	SOLENOID - 4-Terms., Short Style (Cadmium Plated Contact, w/ Extension Kit)
51-186	D.E. HOUSING (11mm, M12 x 1.75 2-Ear Flg. Mtg. w/ Bushing)	66-101-4	SOLENOID - 4-Terms., Long Style (Nickel Plated Contact, Bulk 20/Case)
51-187	D.E. HOUSING (10mm Pad Mtg. w/ Bushing)	66-101-5	SOLENOID - 4-Terms., Long Style (Cadmium Plated Contact, Bulk 20/Case)
51-188-3	D.E. HOUSING (10mm Pad Mtg. w/ Bushing)	66-101-6	SOLENOID - 4-Terms., Long Style (Cadmium Plated Contact, w/ Extension Kit)
51-188-4	D.E. HOUSING (10mm Pad Mtg. wo/ Bushing)	66-1551	PLUNGER SPRING
51-195	D.E. HOUSING (M12 x 1.75, 13mm 2-Ear Flg. Mtg. w/ 8-118 Ndl. Brg.)	66-1600	PLUNGER - Solenoid (Short Type)
51-195-2	D.E. HOUSING (M12 x 1.75, 13mm 2-Ear Flg. Mtg. wo/ Ndl. Brg.)	66-1600-1	PLUNGER - Solenoid (Short Type)
51-196-4	D.E. HOUSING (10mm Pad Mtg. wo/ Ndl. Brg.)	66-1601	PLUNGER - Solenoid (Long Type)
51-1100-3	D.E. HOUSING (10mm Pad Mtg., No Shim, w/ 8-118 Ndl. Brg.)	66-1750	TERMINAL EXTENSION - Motor (5/8 L)
51-1100-4	D.E. HOUSING (10mm Pad Mtg., No Shim, wo/ Ndl. Brg.)	66-1767-1	TERMINAL EXTENSION - Motor (1-1/4 L)
51-1113	D.E. HOUSING (M12 x 1.75, 13mm 2-Ear Flg. Mtg. w/ Bushing)	68-101	BRUSH - Ref# R-116
52-100	C.E. FRAME (w/ 12.01mm ID Bushing)	69-106	BRUSH HOLDER & RACK ASSY.
52-118	C.E. FRAME (w/ 8-118 Ndl. Brg.)	69-1200	BRUSH HOLDER
54-100	STARTER DRIVE (9-T, CW, 3-SPL, 69mm L)	69-1500	BRUSH RACK
54-101-2	STARTER DRIVE (9-T, CW, 3-SPL, 80mm L)	69-1700	BRUSH SPRING
54-135-5	STARTER DRIVE (9-T, CW, 3-SPL, 69mm L, Cushioned Pinion)	71-1107	GASKET - Solenoid Mtg. (Rubber)
55-100	SHIFT LEVER (Large Type)	71-1300	GROMMET - Motor Lead, used w/ 71-1301
55-101	SHIFT LEVER (Small Type)	71-1301	GROMMET - Motor Lead, used w/ 71-1300
55-1201	SHAFT - Shift Lever	71-1312	GROMMET - Motor Lead
55-1301	BUTTON - Shift Lever	76-1303	RETAINER - Field Coil (2.35 L)
57-1201	FIELD CASE ASSY. (4.675 L)	76-1305	MOUNTING SHIM (.40mm T, Straight)
57-1205-1	FIELD CASE ASSY. (4.675 L Case, High Torque Field Coil)	76-1307	RETAINER - Field Coil (2.58 L)
59-103	FIELD COIL (8-Turn Coil, Long Type)		
59-104	FIELD COIL (6-Turn High Torque Coils, Long Type)		
61-132	ARMATURE - Used w/ Ndl. Brgs (Ref# 2214)		
61-139	ARMATURE - Used w/ Bushings		
61-1200-1	COMMUTATOR - Armature (27 Bars, 18.85mm ID x 56.39mm OD x 2.67mm Slot Width)		
61-1203	COMMUTATOR - Armature (27 Bars, 15.67mm ID x 56.52mm OD x 2.90mm Slot Width)		

DELCO 5MT, SD200, SD250 SERIES

DELCO 5MT, SD200, SD250 SERIES (cont'd.)

DELCO 5MT, SD200, SD250 SERIES

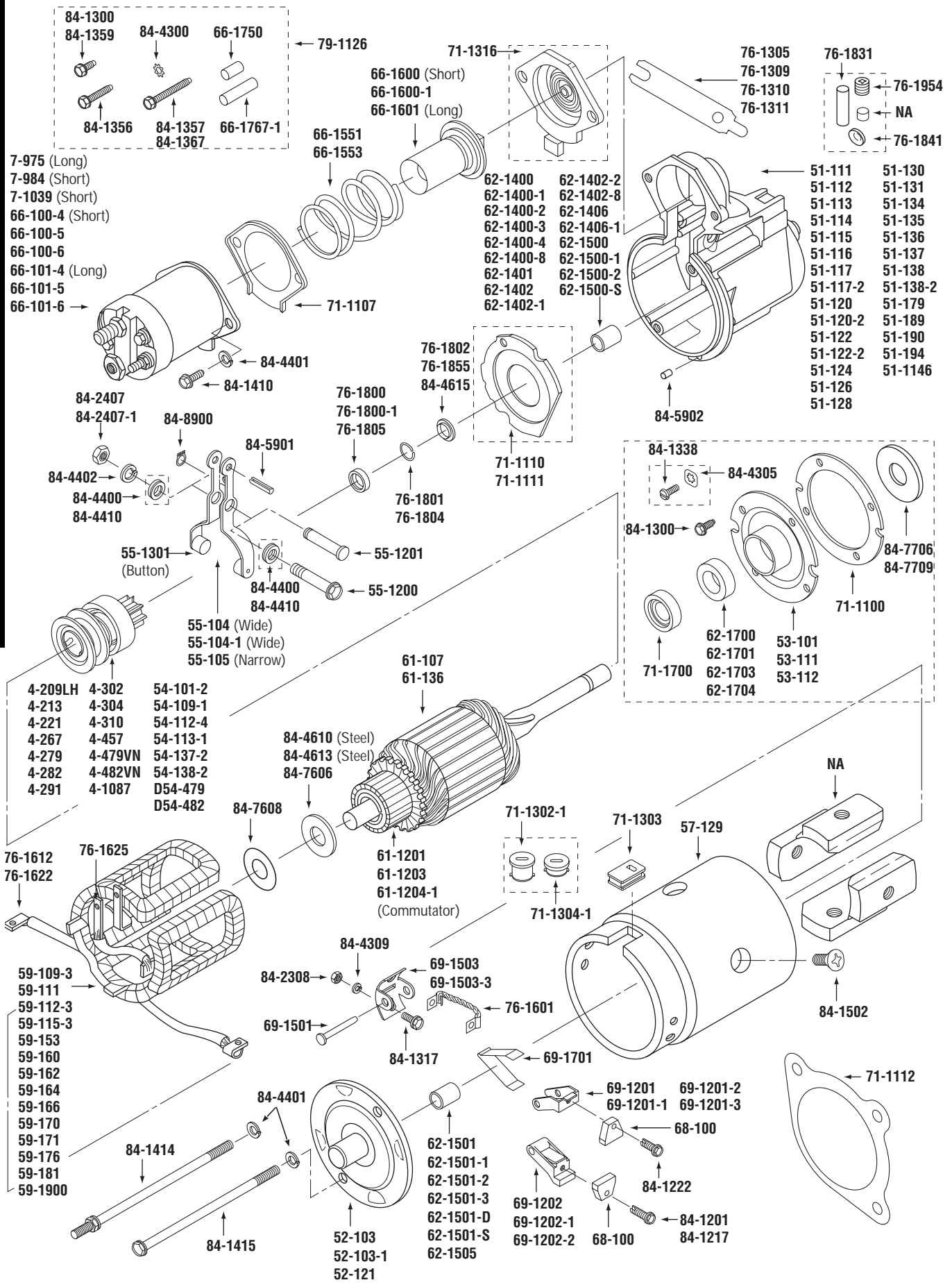


DELCO 5MT, SD200, SD250 SERIES (cont'd.)

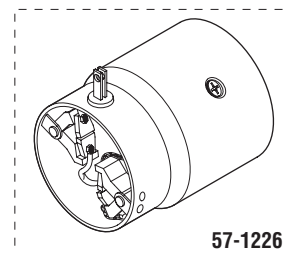
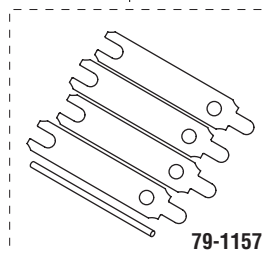
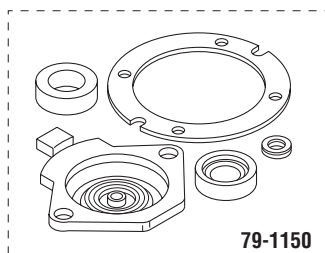
WAI No.	Description
76-1309	MOUNTING SHIM (1.0mm T, Offset)
76-1310	MOUNTING SHIM (2.0mm T, Straight)
76-1311	MOUNTING SHIM (2.0mm T, Offset)
76-1600-1	GROUND LEAD (w/ Angled Terminals)
76-1607	REPAIR LEAD - Field Coil to Brush (w/ Clip)
76-1607-1	REPAIR LEAD - Field Coil to Brush (wo/ Clip)
76-1608	REPAIR LEAD - Field Coil Motor Lead (2-3/4 OAL)
76-1608-1	REPAIR LEAD - Field Coil Motor Lead (2" OAL)
76-1800	STOP COLLAR (12mm ID x 17.3mm OD)
76-1800-1	STOP COLLAR (12mm ID, Mfd. By OE Supplier)
76-1801	RETAINING RING - Stop Collar (7/16 ID)
76-1802	THRUST COLLAR - D.E. (12mm ID x 17.5mm OD)
76-1855	THRUST COLLAR - D.E. (12mm ID x 19mm OD)
79-1157	MOUNTING SHIM KIT (76-1305 Shims, Gauge Pin & Instructions)
84-1100	SCREW - Brush (6-19 x 3/4 L, Hex, Thd. Cut.)
84-1221	SCREW - Brush Rack (8-32 x 5/16 L, Phillips)
84-1300	SCREW - Field Coil Term. to Soln. (10-32 x 1/2 L, Hex)
84-1340	THRU BOLT (10-24 x 4-3/4 L)
84-1341	THRU BOLT (10-24 x 4-3/4 L w/ 10-24 x 1/2 L Ext.)
84-1342	THRU BOLT (10-24 x 5-1/4 L)
84-1343	THRU BOLT (10-24 x 5-1/4 L w/ 10-24 x 1/2 L Ext.)
84-1345	THRU BOLT (10-24 x 5-7/8 L)
84-1346	THRU BOLT (10-24 x 5-7/8 L w/ 10-24 x 1/2 L Ext.)
84-1347	THRU BOLT (10-24 x 6-1/16 L)
84-1348	THRU BOLT (10-24 x 6-1/16 L w/ 10-24 x 1/2 L Ext.)
84-1349	THRU BOLT (10-24 x 5-9/16 L w/ 10-24 x 1/2 L Ext.)
84-1356	SCREW - Soln. Term. Ext. (10-32 x 1-1/8 L, Hex)
84-1357	SCREW - Soln. Term. Ext. (10-32 x 1-3/4 L, Hex, Serrated Flange)
84-1359	SCREW - Field Coil Term. to Soln. (10-32 x 7/16 L, Slotted Hex, Thd. Cut.)
84-1367	SCREW - Soln. Term. Ext. (10-32 x 1-13/16 L, Hex, Serrated Flange)
84-1410	SCREW - Soln. Mtg. (1/4-20 x 5/8 L, Hex)
84-2200	HEX NUT - Brush Rack (8-32 x 11/32 F x 1/8 T)
84-3906	RIVET - Brush Rack & Spring (5/32 Dia. x 5/16 L)
84-4201	LOCK WASHER - Brush Rack (#8 ID, Split)
84-4300	LOCK WASHER - Term. Ext. (#10 ID, Ext. Tooth)
84-4401	LOCK WASHER - Soln. Mtg. (1/4 ID, Split)
84-5901	SPLIT ROLL PIN - Plunger to Shift Lever (3/16 OD x 1 L)
84-7605	BRAKE WASHER - C.E. (1/2 ID x 1-5/16 OD, Leather)
84-7606	BRAKE WASHER - C.E. (9/16 ID x 1-5/16 OD, Leather)
84-7607	WASHER - C.E. (1/2 ID x 1-5/16 OD, Fiber)
84-7608	WASHER - C.E. (9/16 ID x 1-5/16 OD, Fiber)
84-8900	SNAP RING - Shift Lever Shaft (.281 ID x .025 T, Ext.)

DELCO 10MT, SD300 SERIES

DELCO 10MT, SD300 SERIES

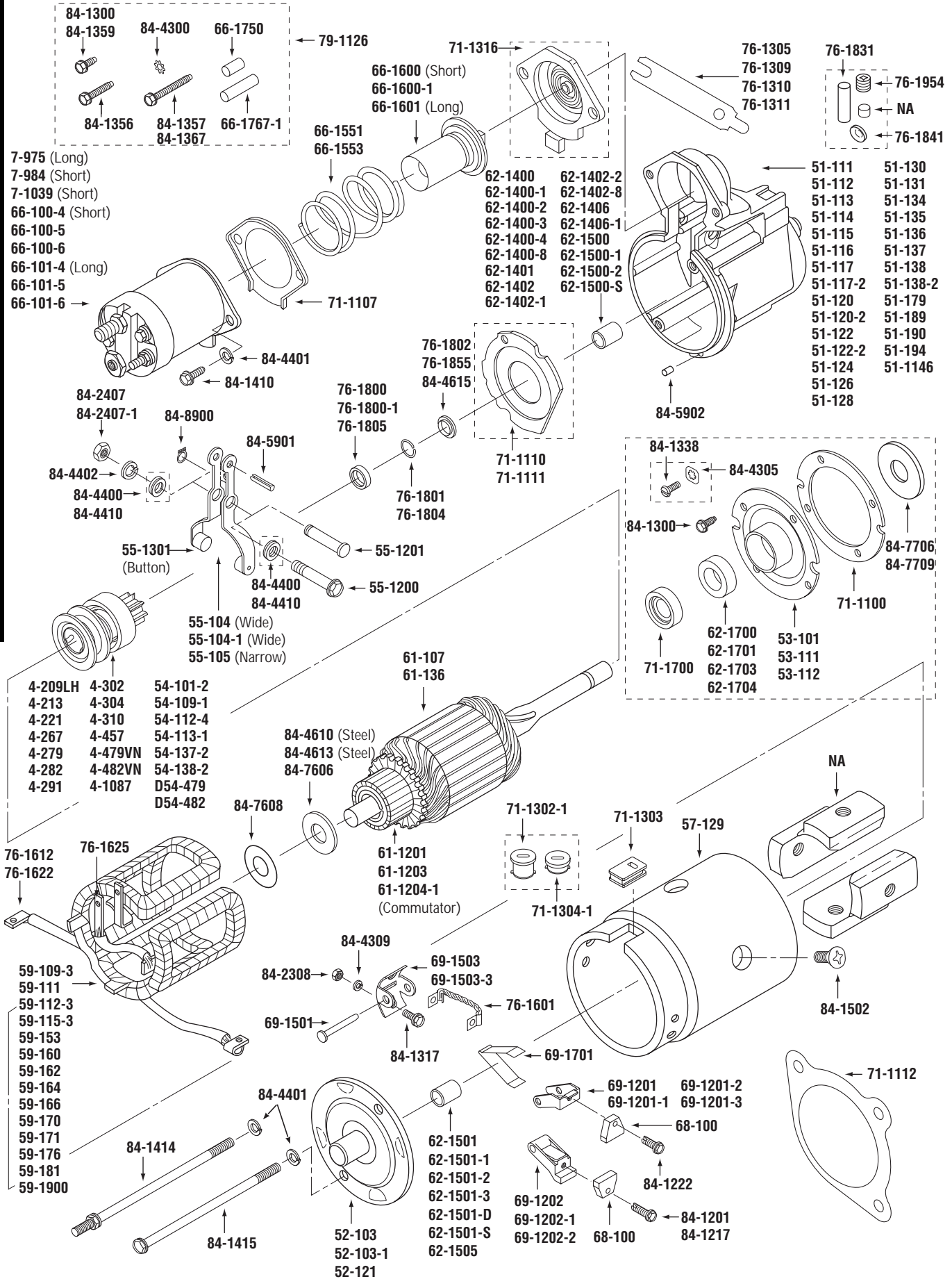


WAI No.	Description	WAI No.	Description
4-209LH	STARTER DRIVE (9-T, CCW, 3/6-SPL, 95mm L, Accurate)	51-1146	D.E. HOUSING (Cast Iron, 2-Ear Flg. Mtg.)
4-213	STARTER DRIVE (9-T, CW, 3-SPL, 80mm L, Accurate)	52-103	C.E. FRAME (4-1/8 OD, Stamped Steel)
4-221	STARTER DRIVE (9-T, CW, 3-SPL, 97mm L, Accurate)	52-103-1	C.E. FRAME (4-1/8 OD, Zinc Yellow Dichromate)
4-267	STARTER DRIVE (9-T, CCW, 3-SPL, 96mm L, Accurate)	52-121	C.E. FRAME (4-3/16 OD, Cast Iron)
4-279	STARTER DRIVE (10-T, CW, 3-SPL, 97mm L, Spragg Clutch Type, Accurate)	53-101	CENTER SUPPORT PLATE - Wet Clutch (3-7/8 OD)
4-282	STARTER DRIVE (12-T, CW, 3-SPL, 97mm L, Spragg Clutch Type, Accurate)	53-111	CENTER SUPPORT PLATE - Marine (3-7/8 OD)
4-291	STARTER DRIVE (10-T, CW, 3-SPL, 97mm L, Sgl. Roller Clutch Type, Accurate)	53-112	CENTER SUPPORT PLATE (3" OD)
4-302	STARTER DRIVE (10-T, CW, 3-SPL, 97mm L, Spragg Clutch Type, Accurate)	54-101-2	STARTER DRIVE (9-T, CW, 3-SPL, 80mm L)
4-304	STARTER DRIVE (9-T, CW, 3-SPL, 75mm L, Accurate)	54-109-1	STARTER DRIVE (9-T, CW, 3-SPL, 97mm L, Dbl. Roller Clutch Type)
4-310	STARTER DRIVE (10-T, CW, 3-SPL, 97mm L, Sgl. Roller Clutch Type, Accurate)	54-112-4	STARTER DRIVE (12-T, CW, 3-SPL, 97mm L, Dbl. Roller Clutch Type)
4-457	STARTER DRIVE (9-T, CW, 3-SPL, 97mm L, Dbl. Roller Clutch Type, Accurate)	54-113-1	STARTER DRIVE (10-T, CW, 3-SPL, 97mm L, Dbl. Roller Clutch Type)
4-479VN	STARTER DRIVE (10-T, CW, 3-SPL, 97mm L, Ratchet Clutch Type, Accurate)	54-137-2	STARTER DRIVE (10-T, CW, 3-SPL, 97mm L, Sgl. Roller Clutch Type)
4-482VN	STARTER DRIVE (12-T, CW, 3-SPL, 97mm L, Ratchet Clutch Type, Accurate)	54-138-2	STARTER DRIVE (10-T, CW, 3-SPL, 97mm L, Sgl. Roller Clutch Type)
4-1087	STARTER DRIVE (13-T, CCW, 3-SPL, 96mm L, Accurate)	55-104	SHIFT LEVER (Wide)
7-975	SOLENOID - 4-Terms., Long Style (Cadmium Plated Contact, w/ Extension Kit, Accurate)	55-104-1	SHIFT LEVER (Wide)
7-984	SOLENOID - 4-Terms., Short Style (Cadmium Plated Contact, w/ Extension Kit, Accurate)	55-105	SHIFT LEVER (Narrow)
7-1039	SOLENOID - 4-Terms., Short Style (Cadmium Plated Contact, Sealed Terminals, Accurate)	55-1200	SHAFT - Shift Lever (5/16-18)
51-111	D.E. HOUSING (Cast Iron, 3/8-16, 3/8, 1/2 3-Ear Flg. Mtg.)	55-1201	SHAFT - Shift Lever
51-112	D.E. HOUSING (Cast Iron, .42 3-Ear Flg. Mtg.)	55-1301	BUTTON - Shift Lever
51-113	D.E. HOUSING (Cast Iron, .49 2-Ear Flg. Mtg.)	57-129	FIELD CASE
51-114	D.E. HOUSING - Wet Clutch (Cast Iron, .42 3-Ear Flg. Mtg.)	57-1226	FIELD CASE ASSY. (12V, CW, High Torque)
51-115	D.E. HOUSING - Wet Clutch (Cast Iron, .42 3-Ear Flg. Mtg.)	59-109-3	FIELD COIL - Converts Strs. w/ Low Torque Armature to Hi-Torque
51-116	D.E. HOUSING (Cast Iron, .42 3-Ear Flg. Mtg.)	59-111	FIELD COIL - 12V, CW Rotation, Low Torque
51-117	D.E. HOUSING (Alum., 10mm Pad Mtg., w/ Bushing)	59-112-3	FIELD COIL - 12V, CW, High Torque
51-117-2	D.E. HOUSING (Alum., 10mm Pad Mtg., wo/ Bushing)	59-115-3	FIELD COIL - 12V, CW Rotation
51-120	D.E. HOUSING (Aluminum, 3/8 Pad Mtg., w/ Bushing)	59-153	FIELD COIL - 12V, CCW Rotation
51-120-2	D.E. HOUSING (Aluminum, 3/8 Pad Mtg., wo/ Bushing)	59-160	FIELD COIL - 12V, CW Rotation
51-122	D.E. HOUSING (Aluminum, 3/8 Pad Mtg., w/ Bushing)	59-162	FIELD COIL - 6V, CW Rotation
51-122-2	D.E. HOUSING (Aluminum, 3/8 Pad Mtg., wo/ Bushing)	59-164	FIELD COIL - 12V, CCW Rotation
51-124	D.E. HOUSING (Cast Iron, .49 2-Ear Flg. Mtg.)	59-166	FIELD COIL - 12V, CW Rotation
51-126	D.E. HOUSING - Wet Clutch (Cast Iron, .42 3-Ear Flg. Mtg.)	59-170	FIELD COIL - 12V, CW Rotation
51-128	D.E. HOUSING (Cast Iron, 3/8 Pad Mtg.)	59-171	FIELD COIL - 12V, CCW Rotation, High Torque
51-130	D.E. HOUSING (Cast Iron, .42, 3/8-16 3-Ear Flg. Mtg.)	59-176	FIELD COIL - 12V, CCW Rotation
51-131	D.E. HOUSING (Cast Iron, .42, 3/8-16 3-Ear Flg. Mtg.)	59-181	FIELD COIL - 6V, CW Rotation
51-134	D.E. HOUSING (Cast Iron, .49 2-Ear Flg. Mtg.)	59-1900	SHUNT COIL - 12V
51-135	D.E. HOUSING (Cast Iron, .49 2-Ear Flg. Mtg.)	61-107	ARMATURE (High Torque, Ref# 2280)
51-136	D.E. HOUSING (Cast Iron, 3/8, .42, 3/8-16 3-Ear Flg. Mtg.)	61-136	ARMATURE - Wet Clutch Strs (Low Torque, Ref# 1867)
51-137	D.E. HOUSING - Wet Clutch (Cast Iron, .42 3-Ear Flg. Mtg.)	61-1201	COMMUTATOR - Armature (23 Bars, 15.75mm ID x 60.33mm OD x 2.67mm Slot Width)
51-138	D.E. HOUSING (Alum., 10mm Pad Mtg., w/ Bushing)	61-1203	COMMUTATOR - Armature (27 Bars, 15.67mm ID x 56.52mm OD x 2.90mm Slot Width)
51-138-2	D.E. HOUSING (Alum., 10mm Pad Mtg., wo/ Bushing)	61-1204-1	COMMUTATOR - Armature (23 Bars, 15.75mm ID x 60.33mm OD x 2.92mm Slot Width)
51-179	D.E. HOUSING (Cast Iron, .49 3-Ear Flg. Mtg.)	62-1400	BUSHING - D.E. (.4730 ID x .5195 OD x .720 L)
51-189	D.E. HOUSING - Wet Clutch (Cast Iron, .42 3-Ear Flg. Mtg.)	62-1400-1	BUSHING - D.E. (1X-Undsz, .4702 ID x .5195 OD x .720 L)
51-190	D.E. HOUSING (Cast Iron, .42 3-Ear Flg. Mtg.)	62-1400-2	BUSHING - D.E. (2X-Undsz, .4680 ID x .5195 OD x .720 L)
51-194	D.E. HOUSING (Cast Iron, .49 2-Ear Flg. Mtg.)	62-1400-3	BUSHING - D.E. (3X-Undsz, .4654 ID x .5195 OD x .720 L)
		62-1400-4	BUSHING - D.E. (4X Undsz, .4630 ID x .5195 OD x .720 L)
		62-1400-8	BUSHING - D.E. (Split Type, .4730 ID x .5195 OD x .720 L)



DELCO 10MT, SD300 SERIES (cont'd.)

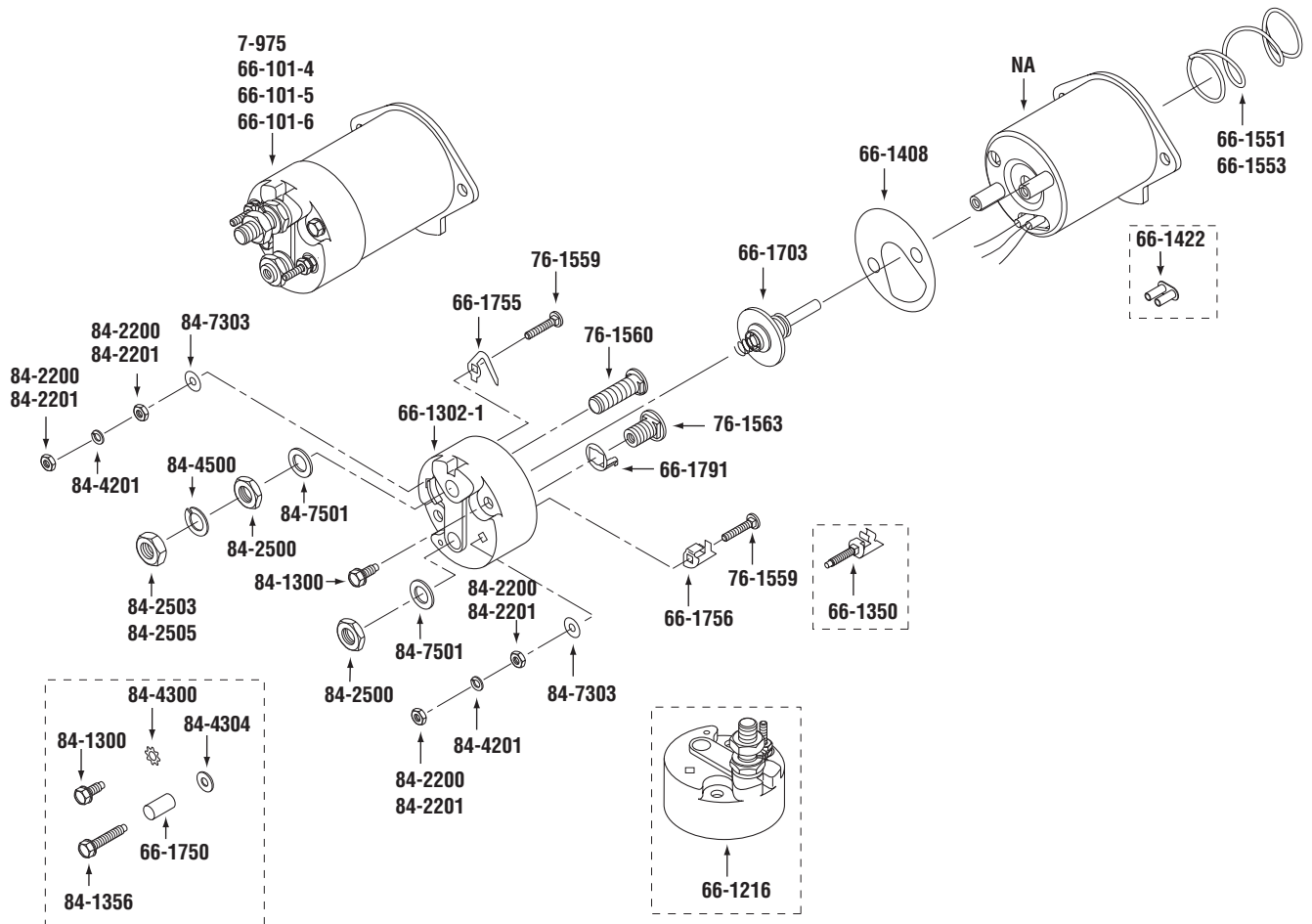
DELCO 10MT, SD300 SERIES



DELCO 10MT, SD300 SERIES (cont'd.)

WAI No.	Description	WAI No.	Description
62-1401	REPAIR BUSHING - D.E. (.4718 ID x .6260 OD x .750 L)	76-1305	MOUNTING SHIM (.40mm T, Straight)
62-1402	BUSHING - D.E. (.4730 ID x .5195 OD x .500 L)	76-1309	MOUNTING SHIM (1.0mm T, Offset)
62-1402-1	BUSHING - D.E. (1X-Undsz, .4705 ID x .5195 OD x .500 L)	76-1310	MOUNTING SHIM (2.0mm T, Straight)
62-1402-2	BUSHING - D.E. (2X-Undsz, .4680 ID x .5195 OD x .500 L)	76-1311	MOUNTING SHIM (2.0mm T, Offset)
62-1402-8	BUSHING - D.E. (Split Type, .4730 ID x .5195 OD x .500 L)	76-1601	GROUND LEAD - Brush
62-1406	BUSHING - D.E. (.5010 ID x .6260 OD x .775 L)	76-1612	REPAIR LEAD - Field Coil to Brush (w/ Clip)
62-1406-1	BUSHING - D.E. (1X-Undsz, .4985 ID x .6260 OD x .775 L)	76-1622	REPAIR LEAD - Field Coil to Brush
62-1500	BUSHING - D.E. (.5033 ID x .5638 OD x .780 L)	76-1625	REPAIR LEAD - Field Coil Motor Lead
62-1500-1	BUSHING - D.E. (1X-Undsz, .5008 ID x .5638 OD x .780 L)	76-1800	STOP COLLAR (12mm ID x 17.3mm OD)
62-1500-2	BUSHING - D.E. (2X-Undsz, .4983 ID x .5638 OD x .780 L)	76-1800-1	STOP COLLAR (12mm ID, Mfd. By OE Supplier)
62-1500-S	BUSHING - D.E. (Split Type, .5033 ID x .5638 OD x .620 L)	76-1801	RETAINING RING - Stop Collar (7/16 ID)
62-1501	BUSHING - C.E. (.5642 ID x .6280 OD x .650 L)	76-1802	THRUST COLLAR - D.E. (12mm ID x 17.5mm OD)
62-1501-1	BUSHING - C.E. (1X-Undsz, .5617 ID x .6280 OD x .650 L)	76-1804	RETAINING RING - Stop Collar (1/2 ID)
62-1501-2	BUSHING - C.E. (2X-Undsz, .5592 ID x .6280 OD x .650 L)	76-1805	STOP COLLAR (14mm ID x 20mm OD)
62-1501-3	BUSHING - C.E. (3X-Undsz, .5567 ID x .6280 OD x .650 L)	76-1831	OIL WICK - D.E. Hsg. (5/16 OD x 2-3/8 L)
62-1501-D	BUSHING - C.E. (Split Type, .5642 ID x .6280 OD x .650 L)	76-1841	EXPANSION PLUG (5/8 Dia.)
62-1501-S	BUSHING - C.E. (Split Type, .5642 ID x .6280 OD x .720 L)	76-1855	THRUST COLLAR - D.E. (12mm ID x 19mm OD)
62-1505	BUSHING - C.E. (Prefit, .5642 ID x .6895 OD x .750 L)	76-1954	PIPE PLUG - Oil Reservoir, D.E.
62-1700	BUSHING - C.S. (.7520 ID x 1.2550 OD x .395 L)	79-1126	TERMINAL EXTENSION KIT - Motor
62-1701	BUSHING - C.S. (.7525 ID x .8140 OD x .722 L)	79-1150	REPAIR KIT - Wet Clutch Strs.
62-1703	BUSHING - C.S. (.7530 ID x .8795 OD x .720 L)	79-1157	MOUNTING SHIM KIT (76-1305 Shims, Gauge Pin)
62-1704	BUSHING - C.S. (.7560 ID x .8165 OD x .375 L)	84-1201	SCREW - Field Brush (8-18 x 5/8 L, Slotted Hex, Thd. Cut.)
66-100-4	SOLENOID - 4-Terms., Short Style (Nickel Plated Contact, Bulk 20/Case)	84-1217	SCREW - Field Brush (8-32 x 3/4 L, Hex, Thd. Cut.)
66-100-5	SOLENOID - 4-Terms., Short Style (Cadmium Plated Contact, Bulk 20/Case)	84-1222	SCREW - Grd. Brush (8-32 x 5/8 L, Hex, Thd. Cut.)
66-100-6	SOLENOID - 4-Terms., Short Style (Cadmium Plated Contact, w/ Extension Kit)	84-1300	SCREW - Field Coil Term. to Soln., C.S. (10-32 x 1/2 L, Hex)
66-101-4	SOLENOID - 4-Terms., Long Style (Nickel Plated Contact, Bulk 20/Case)	84-1317	SCREW - Brush Support (10-24 x 1/2 L, Hex, Thd. Form.)
66-101-5	SOLENOID - 4-Terms., Long Style (Cadmium Plated Contact, Bulk 20/Case)	84-1338	SCREW - C.S. (10-32 x 1/2 L, Slotted Pan, Thd. Cut.)
66-101-6	SOLENOID - 4-Terms., Long Style (Cadmium Plated Contact, w/ Extension Kit)	84-1356	SCREW - Soln Term. Ext. (10-32 x 1-1/8 L, Hex)
66-1551	PLUNGER SPRING	84-1357	SCREW - Soln. Term. Ext. (10-32 x 1-3/4 L, Hex, Serrated Flange)
66-1553	PLUNGER SPRING (Long Heavy Duty)	84-1359	SCREW - Field Coil Term. to Soln. (10-32 x 7/16 L, Slotted Hex, Thd. Cut.)
66-1600	PLUNGER - Solenoid (Short Type)	84-1367	SCREW - Soln. Term. Ext. (10-32 x 1-13/16 L, Hex, Serrated Flange)
66-1600-1	PLUNGER - Solenoid (Short Type)	84-1410	SCREW - Soln. Mtg. (1/4-20 x 5/8 L, Hex)
66-1601	PLUNGER - Solenoid (Long Type)	84-1414	THRU BOLT (1/4-20 x 5-7/8 L w/ 1/4-20 x 3/4 L Ext.)
66-1750	TERMINAL EXTENSION - Motor (5/8 L)	84-1415	THRU BOLT (1/4-20 x 5-15/16 L)
66-1767-1	TERMINAL EXTENSION - Motor (1-1/4 L)	84-1502	SCREW - Pole Shoe (3/8-24 x 5/8 L, Phillips)
68-100	BRUSH - Ref# R-60	84-2308	HEX NUT - Brush Support (10-24 x 3/8 F x 1/8 T)
69-1201	BRUSH HOLDER - Grd. (Late Style w/ Round Pivot Arm)	84-2407	HEX NUT - Shift Lever Shaft (5/16-18 x 1/2 F x 3/16 T, Zinc Plated)
69-1201-1	BRUSH HOLDER - Grd. (Early Style w/ Pointed Pivot Arm)	84-2407-1	HEX NUT - Shift Lever Shaft (5/16-18 x 1/2 F x 1/4 T, Zinc Plated)
69-1201-2	BRUSH HOLDER - Grd. (Universal Style w/ Short Pivot Arm)	84-4300	LOCK WASHER - Term. Ext. (#10 ID, Ext. Tooth)
69-1201-3	BRUSH HOLDER - Grd. (Late Style w/ Round Pivot Arm)	84-4305	LOCK WASHER - C.S. (#10 ID, Sq. Conical)
69-1202	BRUSH HOLDER - Insul. (8-32 Threaded, Phenolic)	84-4309	LOCK WASHER - Brush Support (#10 ID, Split)
69-1202-1	BRUSH HOLDER - Insul. (Unthreaded, Glass-Filled Polyester)	84-4400	WASHER W/ SEAL - Shift Lever Shaft (9/32 ID, Conical)
69-1202-2	BRUSH HOLDER - Insul. (Unthreaded, Phenolic)	84-4401	LOCK WASHER - Soln. Mtg. (1/4 ID, Split)
69-1501	PIN - Brush Holder	84-4402	LOCK WASHER - Shift Lever Shaft (5/16 ID, Split)
69-1503	SUPPORT - Brush Holder	84-4410	WASHER W/ SEAL - Shift Lever Shaft (5/16 ID, Conical)
69-1503-3	SUPPORT - Brush Holder	84-4610	THRUST WASHER - C.E. (9/16 ID x 1 OD, Steel)
69-1701	BRUSH SPRING	84-4613	THRUST WASHER - C.E. (9/16 ID x 1-3/16 OD, Steel)
71-1100	GASKET - C.S. Frame, 53-101	84-4615	THRUST WASHER - D.E. (1/2 ID x 3/4 OD, Steel)
71-1107	GASKET - Solenoid Mtg. (Rubber)	84-5901	SPLIT ROLL PIN - Plunger to Shift Lever (3/16 OD x 1 L)
71-1110	SEAL - D.E. Hsg.	84-5902	SPLIT ROLL PIN - D.E. Hsg. (3/16 OD x 3/8 L)
71-1111	SEAL - D.E. Hsg. (Marine)	84-7606	BRAKE WASHER - C.E. (9/16 ID x 1-5/16 OD, Leather)
71-1112	GASKET - Starter Mounting	84-7608	WASHER - C.E. (9/16 ID x 1-5/16 OD, Fiber)
71-1302-1	GROMMET - Motor Lead (Long Round)	84-7706	BRAKE WASHER - C.S. (3/4 ID x 2 OD, Fiber)
71-1303	GROMMET - Motor Lead (Long Slotted)	84-7709	BRAKE WASHER - C.S. (13/16 ID x 2 OD, Fiber)
71-1304-1	GROMMET - Motor Lead (Short Round)	84-8900	SNAP RING - Shift Lever Shaft (.281 ID x .025 T, Ext.)
71-1316	BOOT - Solenoid Plunger	D54-479	STARTER DRIVE (10-T, CW, 3-SPL, 97mm L, Dbl. Roller Clutch Type, Accurate)
71-1700	OIL SEAL - C.S. Frame, 53-101	D54-482	STARTER DRIVE (12-T, CW, 3-SPL, 97mm L, Dbl. Roller Clutch, Accurate)

DELCO 10MT, SD300 SOLENOID (LONG CASE)



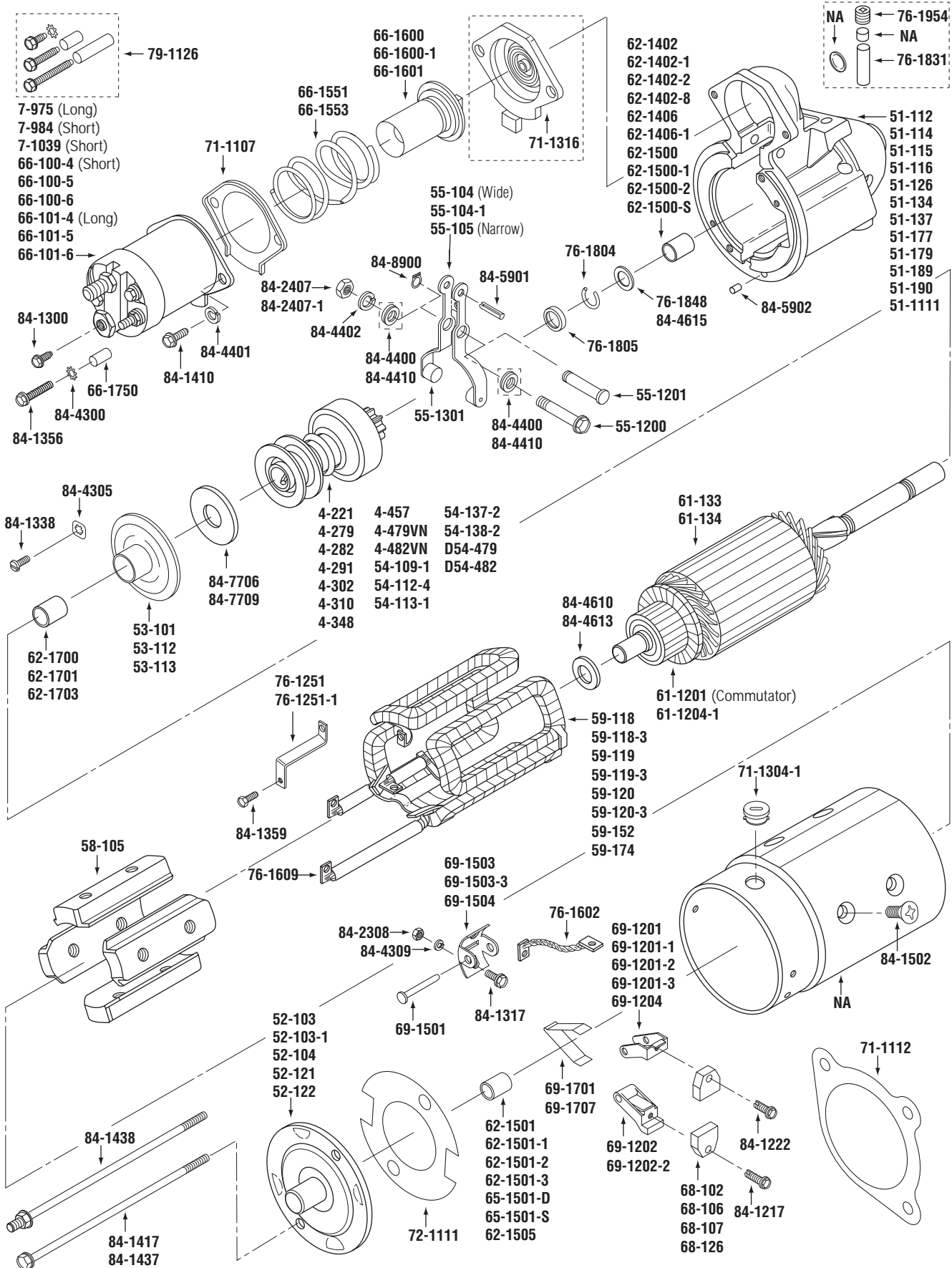
WAI No.	Description
7-975	SOLENOID - 4-Terms., Long Style (Cadmium Plated Contact, w/ Extension Kit, Accurate)
66-101-4	SOLENOID - 4-Terms., Long Style (Nickel Plated Contact, Bulk 20/Case)
66-101-5	SOLENOID - 4-Terms., Long Style (Cadmium Plated Contact, Bulk 20/Case)
66-101-6	SOLENOID - 4-Terms., Long Style (Cadmium Plated Contact, w/ Extension Kit)
66-1216	SOLENOID CAP ASSY. - 4-Terms. (w/ Batt. & Relay Terms.)
66-1302-1	SOLENOID CAP (4-Terms.)
66-1350	TERMINAL & CONNECTOR - Switch (8-32)
66-1408	GASKET - Cap (Cork)
66-1422	INSULATOR - Coil Assy. (2-Hole)
66-1551	PLUNGER SPRING
66-1553	PLUNGER SPRING (Long Heavy Duty)
66-1703	MOVABLE CONTACT ASSY.
66-1750	TERMINAL EXTENSION - Motor (5/8 L)
66-1755	CONTACT FINGER - Relay Term.
66-1756	CONNECTOR - Switch Term.

WAI No.	Description
66-1791	CONNECTOR - Motor Term.
76-1559	TERMINAL POST - Relay, Switch (8-32 x 7/8 L)
76-1560	STATIONARY CONTACT - Battery (3/8-16 x 1-3/16 L)
76-1563	STATIONARY CONTACT - Motor (3/8-16 x 5/8 L, w/ 10-32 Int. Thd.)
84-1300	SCREW - Cap (10-32 x 1/2 L, Hex)
84-1356	SCREW - Term. Ext. (10-32 x 1-1/8 L, Hex)
84-2200	HEX NUT - Relay, Switch Terms. (8-32 x 11/32 F x 1/8 T)
84-2201	HEX NUT - Relay, Switch Terms. (8-32 x 11/32 F x 1/8 T, w/ Att. Washer)
84-2500	HEX NUT - Batt., Motor Terms. (3/8-16 x 5/8 F x 5/32 T)
84-2503	HEX NUT - Batt. Term. (3/8-16 x 5/8 F x 1/4 T)
84-2505	HEX NUT - Batt. Term. (3/8-16 x 9/16 F x 7/32 T)
84-4201	LOCK WASHER - Relay, Switch Terms. (#8 ID, Split)
84-4300	LOCK WASHER - Term. Ext. (#10 ID, Ext. Tooth)
84-4304	FLAT WASHER - Term. Ext. (#10 ID)
84-4500	LOCK WASHER - Batt. Term. (3/8 ID, Split)
84-7303	INSULATING WASHER - Relay, Switch Terms. (#8 ID)
84-7501	INSULATING WASHER - Batt., Motor Terms. (3/8 ID)

DELCO 10MT SOLENOID (LONG CASE)

DELCO 20MT, 22MT, 25MT, 27MT SERIES

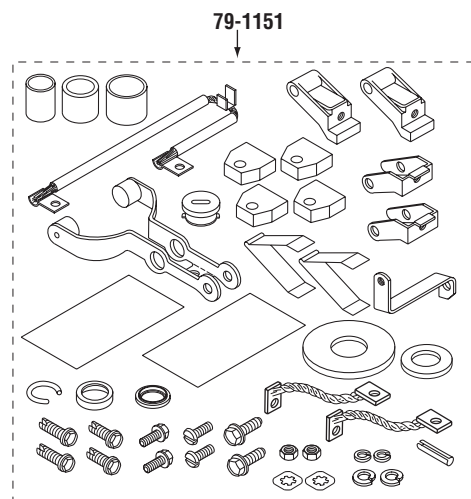
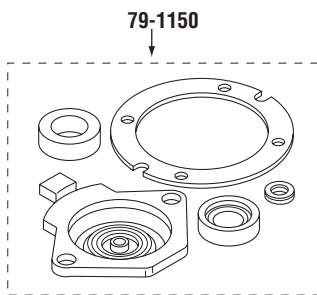
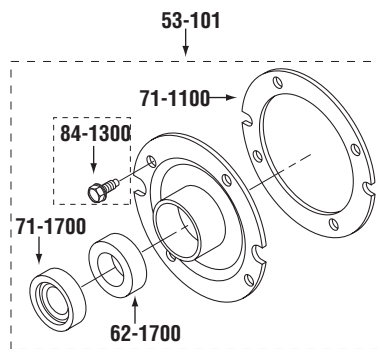
DELCO 20MT, 22MT, 25MT, 27MT SERIES



DELCO 20MT, 22MT, 25MT, 27MT SERIES

DELCO 20MT, 22MT, 25MT, 27MT SERIES

WAI No.	Description	WAI No.	Description
4-221	STARTER DRIVE (9-T, CW, 3-SPL, 97mm L, Accurate)	52-122	C.E. FRAME (4-1/2 OD, Cast Iron)
4-279	STARTER DRIVE (10-T, CW, 3-SPL, 97mm L, Spragg Clutch Type, Accurate)	53-101	CENTER SUPPORT PLATE - Wet Clutch (3-7/8 OD)
4-282	STARTER DRIVE (12-T, CW, 3-SPL, 97mm L, Spragg Clutch Type, Accurate)	53-112	CENTER SUPPORT PLATE (3" OD)
4-291	STARTER DRIVE (10-T, CW, 3-SPL, 97mm L, Sgl. Roller Clutch Type, Accurate)	53-113	CENTER SUPPORT PLATE (4-1/2 OD)
4-302	STARTER DRIVE (10-T, CW, 3-SPL, 97mm L, Spragg Clutch Type, Accurate)	54-109-1	STARTER DRIVE (9-T, CW, 3-SPL, 97mm L, Dbl. Roller Clutch Type)
4-310	STARTER DRIVE (10-T, CW, 3-SPL, 97mm L, Sgl. Roller Clutch Type, Accurate)	54-112-4	STARTER DRIVE (12-T, CW, 3-SPL, 97mm L, Dbl. Roller Clutch Type)
4-348	STARTER DRIVE (10-T, CW, 3-SPL, 81mm L, Accurate)	54-113-1	STARTER DRIVE (10-T, CW, 3-SPL, 97mm L, Dbl. Roller Clutch Type)
4-457	STARTER DRIVE (9-T, CW, 3-SPL, 97mm L, Dbl. Roller Clutch Type, Accurate)	54-137-2	STARTER DRIVE (10-T, CW, 3-SPL, 97mm L, Sgl. Roller Clutch Type)
4-479VN	STARTER DRIVE (10-T, CW, 3-SPL, 97mm L, Ratchet Clutch Type, Accurate)	54-138-2	STARTER DRIVE (10-T, CW, 3-SPL, 97mm L, Sgl. Roller Clutch Type)
4-482VN	STARTER DRIVE (12-T, CW, 3-SPL, 97mm L, Ratchet Clutch Type, Accurate)	55-104	SHIFT LEVER (Wide)
7-975	SOLENOID - 4-Terms., Long Style (Cadmium Plated Contact, w/ Extension Kit, Accurate)	55-104-1	SHIFT LEVER (Wide)
7-984	SOLENOID - 4-Terms., Short Style (Cadmium Plated Contact, w/ Extension Kit, Accurate)	55-105	SHIFT LEVER (Narrow)
7-1039	SOLENOID - 4-Terms., Short Style (Cadmium Plated Contact, Sealed Terminals, Accurate)	55-1200	SHAFT - Shift Lever (5/16-18)
51-112	D.E. HOUSING (Cast Iron, .42 3-Ear Flg. Mtg.)	55-1201	SHAFT - Shift Lever, used w/ 84-8900 Snap Ring
51-114	D.E. HOUSING - Wet Clutch Strs. (Cast Iron, .42 3-Ear Flg. Mtg.)	55-1301	BUTTON - Shift Lever
51-115	D.E. HOUSING - Wet Clutch Strs. (Cast Iron, .42 3-Ear Flg. Mtg.)	58-105	POLE SHOE
51-116	D.E. HOUSING (Cast Iron, .42 3-Ear Flg. Mtg.)	59-118	FIELD COIL - 12V, CW Rotation (5-1/2 Turn Coil, Mfd. in Canada)
51-126	D.E. HOUSING - Wet Clutch Strs. (Cast Iron, .42 3-Ear Flg. Mtg.)	59-118-3	FIELD COIL - 12V, CW Rotation (5-1/2 Turn Coil)
51-134	D.E. HOUSING (Cast Iron, .49 2-Ear Flg. Mtg.)	59-119	FIELD COIL - 12V, CW Rotation (5 Turn Coil, Mfd. in Canada)
51-137	D.E. HOUSING - Wet Clutch Strs. (Cast Iron, .42 3-Ear Flg. Mtg.)	59-119-3	FIELD COIL - 12V, CW Rotation (5 Turn Coil)
51-177	D.E. HOUSING (Aluminum, 10mm Pad Mtg., No Shim)	59-120	FIELD COIL - 12V, CW Rotation (3-1/2 Turn Coil, Mfd in Canada)
51-179	D.E. HOUSING (Cast Iron, .49 3-Ear Flg. Mtg.)	59-120-3	FIELD COIL - 12V, CW Rotation (3-1/2 Turn Coil)
51-189	D.E. HOUSING - Wet Clutch Strs. (Cast Iron, .42 3-Ear Flg. Mtg.)	59-152	FIELD COIL - 12V, CW Rotation (4-1/2 Turn Coil)
51-190	D.E. HOUSING (Cast Iron, .42 3-Ear Flg. Mtg.)	59-174	FIELD COIL - 24V, CW Rotation
51-1111	D.E. HOUSING (Aluminum, 10mm Pad Mtg., No Shim)	61-133	ARMATURE - 12V, CW, 6-Splines (Ref# 2204)
52-103	C.E. FRAME (4-1/8 OD, Stamped Steel)	61-134	ARMATURE - 12V, CW, 3-Splines (Ref# 2276)
52-103-1	C.E. FRAME (4-1/8 OD, Zinc Yellow Dichromate)	61-1201	COMMUTATOR - Armature (23 Bars, 15.75mm ID x 60.33mm OD x 2.67mm Slot Width)
52-104	C.E. FRAME (4-1/2 OD, Stamped Steel)	61-1204-1	COMMUTATOR - Armature (23 Bars, 15.75mm ID x 60.33mm OD x 2.92mm Slot Width)
52-121	C.E. FRAME (4-3/16 OD, Cast Iron)	62-1402	BUSHING - D.E. (.4730 ID x .5195 OD x .500 L)
		62-1402-1	BUSHING - D.E. (1X-Undersize, .4705 ID x .5195 OD x .500 L)
		62-1402-2	BUSHING - D.E. (2X-Undersize, .4680 ID x .5195 OD x .500 L)
		62-1402-8	BUSHING - D.E. (Split Type, .4730 ID x .5195 OD x .500 L)
		62-1406	BUSHING - D.E. (.5010 ID x .6260 OD x .775 L)



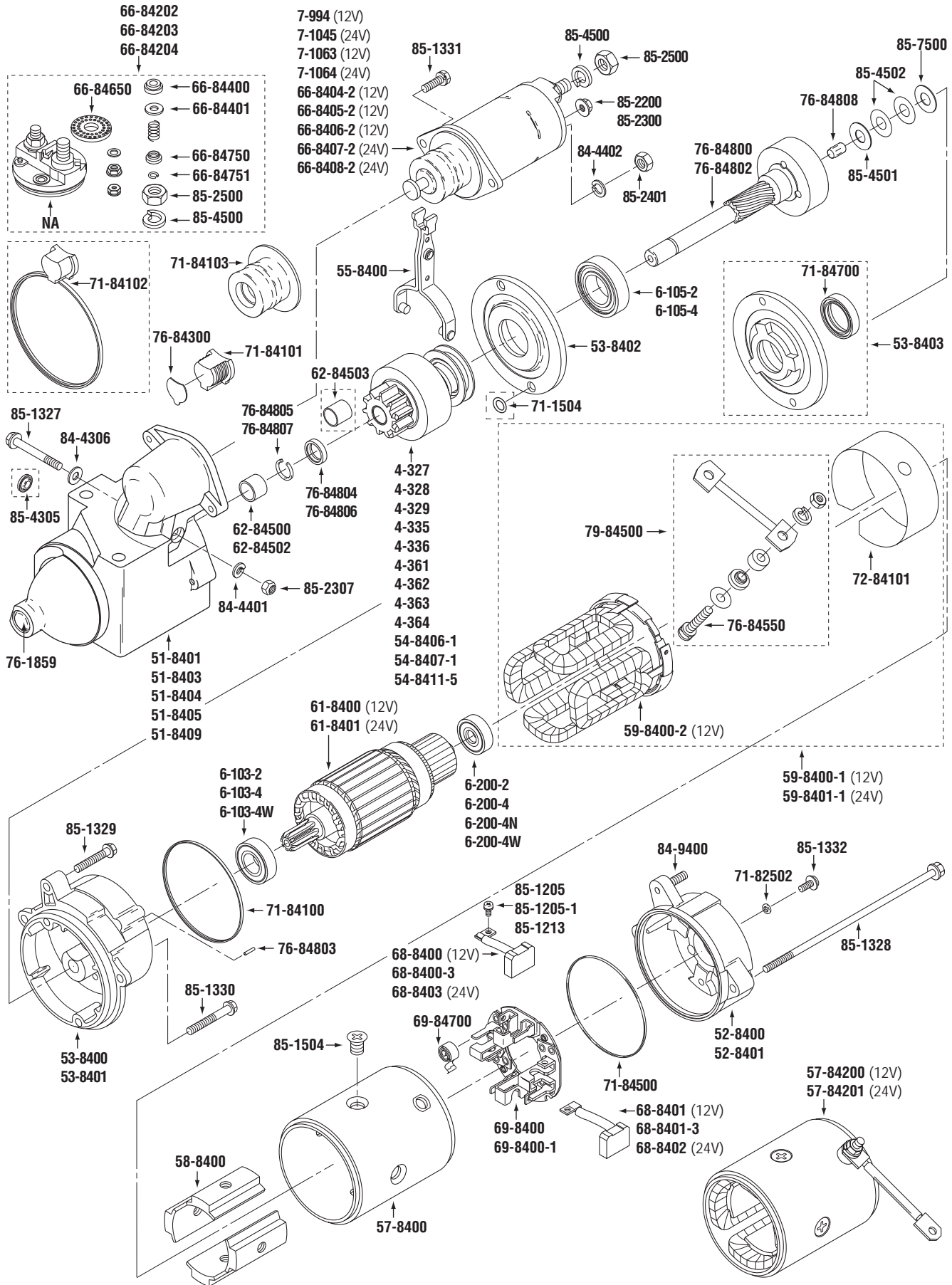
DELCO 20MT, 22MT, 25MT, 27MT SERIES (cont'd.)

WAI No.	Description	WAI No.	Description
62-1406-1	BUSHING - D.E. (1X-Undersize, .4985 ID x .6260 OD x .775 L)	69-1707	BRUSH SPRING - (Arms Bend Out)
62-1500	BUSHING - D.E. (.5033 ID x .5638 OD x .780 L)	71-1100	GASKET - C.S. Frame, 53-101
62-1500-1	BUSHING - D.E. (1X-Undersize, .5008 ID x .5638 OD x .780 L)	71-1107	GASKET - Solenoid Mtg. (Rubber)
62-1500-2	BUSHING - D.E. (2X-Undersize, .4983 ID x .5638 OD x .780 L)	71-1112	GASKET - Starter Mounting
62-1500-S	BUSHING - D.E. (Split Type, .5033 ID x .5638 OD x .620 L)	71-1304-1	GROMMET - Motor Lead (Short Round)
62-1501	BUSHING - C.E. (.5642 ID x .6280 OD x .650 L)	71-1316	BOOT - Solenoid Plunger
62-1501-1	BUSHING - C.E. (1X-Undersize, .5617 ID x .6280 OD x .650 L)	71-1700	OIL SEAL - C.S. Frame, 53-101
62-1501-2	BUSHING - C.E. (2X-Undersize, .5592 ID x .6280 OD x .650 L)	72-1111	INSULATOR - C.E. Frame
62-1501-3	BUSHING - C.E. (3X-Undersize, .5567 ID x .6280 OD x .650 L)	76-1251	CONNECTOR - Field Coil to Soln.
62-1501-D	BUSHING - C.E. (Split Type, .5642 ID x .6280 OD x .650 L)	76-1251-1	CONNECTOR - Field Coil to Soln. (w/ 10-32 Steel Nut)
62-1501-S	BUSHING - C.E. (Split Type, .5642 ID x .6280 OD x .720 L)	76-1602	GROUND LEAD - Brush (8-Gauge)
62-1505	BUSHING - C.E. (Prefit, .5642 ID x .6895 OD x .750 L)	76-1609	REPAIR LEAD - Field Coil to Brush (w/ Clip)
62-1700	BUSHING - C.S. (.7520 ID x 1.2550 OD x .395 L)	76-1804	RETAINING RING - Stop Collar (1/2 ID)
62-1701	BUSHING - C.S. (.7525 ID x .8140 OD x .722 L)	76-1805	STOP COLLAR (14mm ID x 20mm OD)
62-1703	BUSHING - C.S. (.7530 ID x .8795 OD x .720 L)	76-1831	OIL WICK - D.E. Hsg. (5/16 OD x 2-3/8 L)
66-100-4	SOLENOID - 4-Terms., Short Style (Nickel Plated Contact, Bulk 20/Case)	76-1848	THRUST COLLAR - D.E.
66-100-5	SOLENOID - 4-Terms., Short Style (Cadmium Plated Contact, Bulk 20/Case)	76-1954	PIPE PLUG - Oil Reservoir, D.E.
66-100-6	SOLENOID - 4-Terms., Short Style (Cadmium Plated Contact, w/ Extension Kit)	79-1126	TERMINAL EXTENSION KIT
66-101-4	SOLENOID - 4-Terms., Long Style (Nickel Plated Contact, Bulk 20/Case)	79-1150	REPAIR KIT - Wet Clutch Strs.
66-101-5	SOLENOID - 4-Terms., Long Style (Cadmium Plated Contact, Bulk 20/Case)	79-1151	REPAIR KIT
66-101-6	SOLENOID - 4-Terms., Long Style (Cadmium Plated Contact, w/ Extension Kit)	84-1217	SCREW - Field Brush (8-32 x 3/4 L, Hex, Thd. Cut.)
66-1551	PLUNGER SPRING	84-1222	SCREW - Grd. Brush (8-32 x 5/8 L, Hex, Thd. Cut.)
66-1553	PLUNGER SPRING (Long Heavy Duty)	84-1300	SCREW - Field Coil Term. to Soln., C.S. (10-32 x 1/2 L, Hex)
66-1600	PLUNGER - Solenoid (Short Type)	84-1317	SCREW - Brush Support (10-24 x 1/2 L, Hex, Thd. Form.)
66-1600-1	PLUNGER - Solenoid (Short Type)	84-1338	SCREW - C.S. (10-32 x 1/2 L, Slotted Pan, Thd. Cut.)
66-1601	PLUNGER - Solenoid (Long Type)	84-1356	SCREW - Soln. Term. Ext. (10-32 x 1-1/8 L, Hex)
66-1750	TERMINAL EXTENSION - Motor (5/8 L)	84-1359	SCREW - Connector (10-32 x 7/16 L, Slotted Hex, Thd. Cut.)
68-102	BRUSH - 12V, Ref# R-120	84-1410	SCREW - Soln. Mtg. (1/4-20 x 5/8 L, Hex)
68-106	BRUSH - 12V, Ref# R-95 (Concave Surface)	84-1417	THRU BOLT (1/4-20 x 7-1/4 L)
68-107	BRUSH - 12V, Ref# R-95S (Flat Surface)	84-1437	THRU BOLT (1/4-20 x 7-5/16 L)
68-126	BRUSH - 24V, Ref# R-98	84-1438	THRU BOLT (1/4-20 x 7-1/2 L w/ 1/4-20 x 5/8 L Ext.)
69-1201	BRUSH HOLDER - Grd., Step-Down Case (Late Style w/ Round Pivot Arm)	84-1502	SCREW - Pole Shoe (3/8-24 x 5/8 L, Phillips)
69-1201-1	BRUSH HOLDER - Grd., Step-Down Case (Early Style w/ Pointed Pivot Arm)	84-2308	HEX NUT - Brush Support (10-24 x 3/8 F x 1/8 T)
69-1201-2	BRUSH HOLDER - Grd., Step-Down Case (Universal Style w/ Short Pivot Arm)	84-2407	HEX NUT - Shift Lever Shaft (5/16-18 x 1/2 F x 3/16 T, Zinc Plated)
69-1201-3	BRUSH HOLDER - Grd., Step-Down Case (Late Style w/ Round Pivot Arm)	84-2407-1	HEX NUT - Shift Lever Shaft (5/16-18 x 1/2 F x 1/4 T, Zinc Plated)
69-1202	BRUSH HOLDER - Insul. (8-32 Threaded, Phenolic)	84-4300	LOCK WASHER - Term. Ext. (#10 ID, Ext. Tooth)
69-1202-2	BRUSH HOLDER - Insul. (Unthreaded, Phenolic)	84-4305	LOCK WASHER - C.S. (#10 ID, Sq. Conical)
69-1204	BRUSH HOLDER - Grd., Straight Fld. Case	84-4309	LOCK WASHER - Brush Support (#10 ID, Split)
69-1501	PIN - Brush Holder	84-4400	WASHER W/ SEAL - Shift Lever Shaft (9/32 ID, Conical)
69-1503	SUPPORT - Field Case, Step-Down Case	84-4401	LOCK WASHER - Soln. Mtg. (1/4 ID, Split)
69-1503-3	SUPPORT - Field Case, Step-Down Case	84-4402	LOCK WASHER - Shift Lever Shaft (5/16 ID, Split)
69-1504	SUPPORT - Brush Holder, Straight Case	84-4410	WASHER W/ SEAL - Shift Lever Shaft (5/16 ID, Conical)
69-1701	BRUSH SPRING - (Arms Bend In)	84-4610	THRUST WASHER - C.E. (9/16 ID x 1 OD, Steel)
		84-4613	THRUST WASHER - C.E. (9/16 ID x 1-3/16 OD, Steel)
		84-4615	THRUST WASHER - D.E. (1/2 ID x 3/4 OD, Steel)
		84-5901	SPLIT ROLL PIN - Plunger to Shift Lever (3/16 OD x 1 L)
		84-5902	SPLIT ROLL PIN - D.E. Hsg. (3/16 OD x 3/8 L)
		84-7706	BRAKE WASHER - C.S. (3/4 ID x 2 OD, Fiber)
		84-7709	BRAKE WASHER - C.S. (13/16 ID x 2 OD, Fiber)
		84-8900	SNAP RING - Shift Lever Shaft (.281 ID x .025 T, Ext.)
		D54-479	STARTER DRIVE (10-T, CW, 3-SPL, 97mm L, Dbl. Roller Clutch Type, Accurate)
		D54-482	STARTER DRIVE (12-T, CW, 3-SPL, 97mm L, Dbl. Roller Clutch, Accurate)

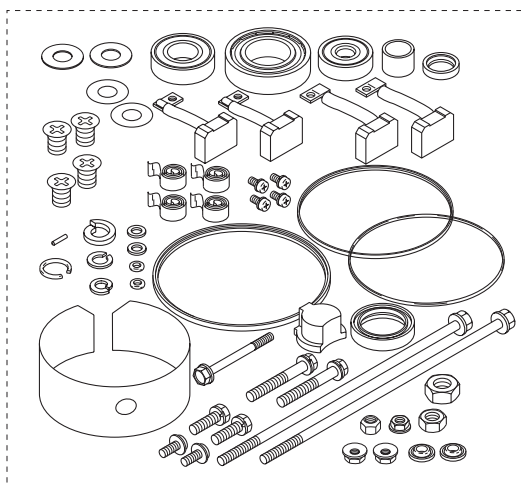
DELCO 20MT, 22MT, 25MT, 27MT SERIES

DELCO 28MT SERIES

DELCO 28MT SERIES



WAI No.	Description
4-327	STARTER DRIVE (10T, CW, 14mm ID, 32mm Gear OD, 26mm Clutch Barrel Length w/ Rubber Seal, Accurate)
4-328	STARTER DRIVE (10T, CW, 14mm ID, 40mm Gear OD, 26mm Clutch Barrel Length, w/ Rubber Seal, Accurate)
4-329	STARTER DRIVE (12T, CW, 14mm ID, 46.5mm Gear OD, 26mm Clutch Barrel Length, w/ Rubber Seal, Accurate)
4-335	STARTER DRIVE (9T, CW, 14mm ID, 34mm Gear OD, 26mm Clutch Barrel Length, Accurate)
4-336	STARTER DRIVE (9T, CW, 13mm ID, 29.5mm Gear OD, 26mm Clutch Barrel Length, Accurate)
4-361	STARTER DRIVE (10T, CW, 14mm ID, 40mm Gear OD, 32mm Clutch Barrel Length, Accurate)
4-362	STARTER DRIVE (10T, CW, 13mm ID, 32mm Gear OD, 26mm Clutch Barrel Length, Accurate)
4-363	STARTER DRIVE (12T, CW, 14mm ID, 46.5mm Gear OD, 32mm Clutch Barrel Length, Accurate)
4-364	STARTER DRIVE (10T, CW, 14mm ID, 32mm Gear OD, 32mm Clutch Barrel Length, Accurate)
6-103-2	BALL BEARING - Armature, D.E., Ref# 6003 (Dbl. Shielded)
6-103-4	BALL BEARING - Armature, D.E., Ref# 6003 (Dbl. Sealed)
6-103-4W	BALL BEARING - Armature, D.E., Ref# 6003 (Dbl. Sealed, WBD)
6-105-2	BALL BEARING - Drive Shaft, Ref# 6005 (Dbl. Shielded)
6-105-4	BALL BEARING - Drive Shaft, Ref# 6005 (Dbl. Sealed)
6-200-2	BALL BEARING - Armature, C.E., Ref# 6200 (Dbl. Shielded)
6-200-4	BALL BEARING - Armature, C.E., Ref# 6200 (Dbl. Sealed)
6-200-4N	BALL BEARING - Armature, C.E., Ref# 6200 (Dbl. Sealed, NTN)
6-200-4W	BALL BEARING - Armature, C.E., Ref# 6200 (Dbl. Sealed, WBD)
7-994	SOLENOID - 12V (M5 x 0.8 S-Term., Accurate)
7-1045	SOLENOID - 24V (M5 x 0.8 S-Term., Accurate)
7-1063	SOLENOID - 12V (M5 x 0.8 R-Term. & S-Term., Jump-Start Protection Cap, Accurate)
7-1064	SOLENOID - 24V (M5 x 0.8 R-Term. & S-Term., Jump-Start Protection Cap, Accurate)
51-8401	D.E. HOUSING (10mm Pad Mtg.)
51-8403	D.E. HOUSING (.42 3-Ear Flg. Mtg.)
51-8404	D.E. HOUSING (.42 3-Ear Flg. Mtg.)
51-8405	D.E. HOUSING (.42 3-Ear Flg. Mtg.)

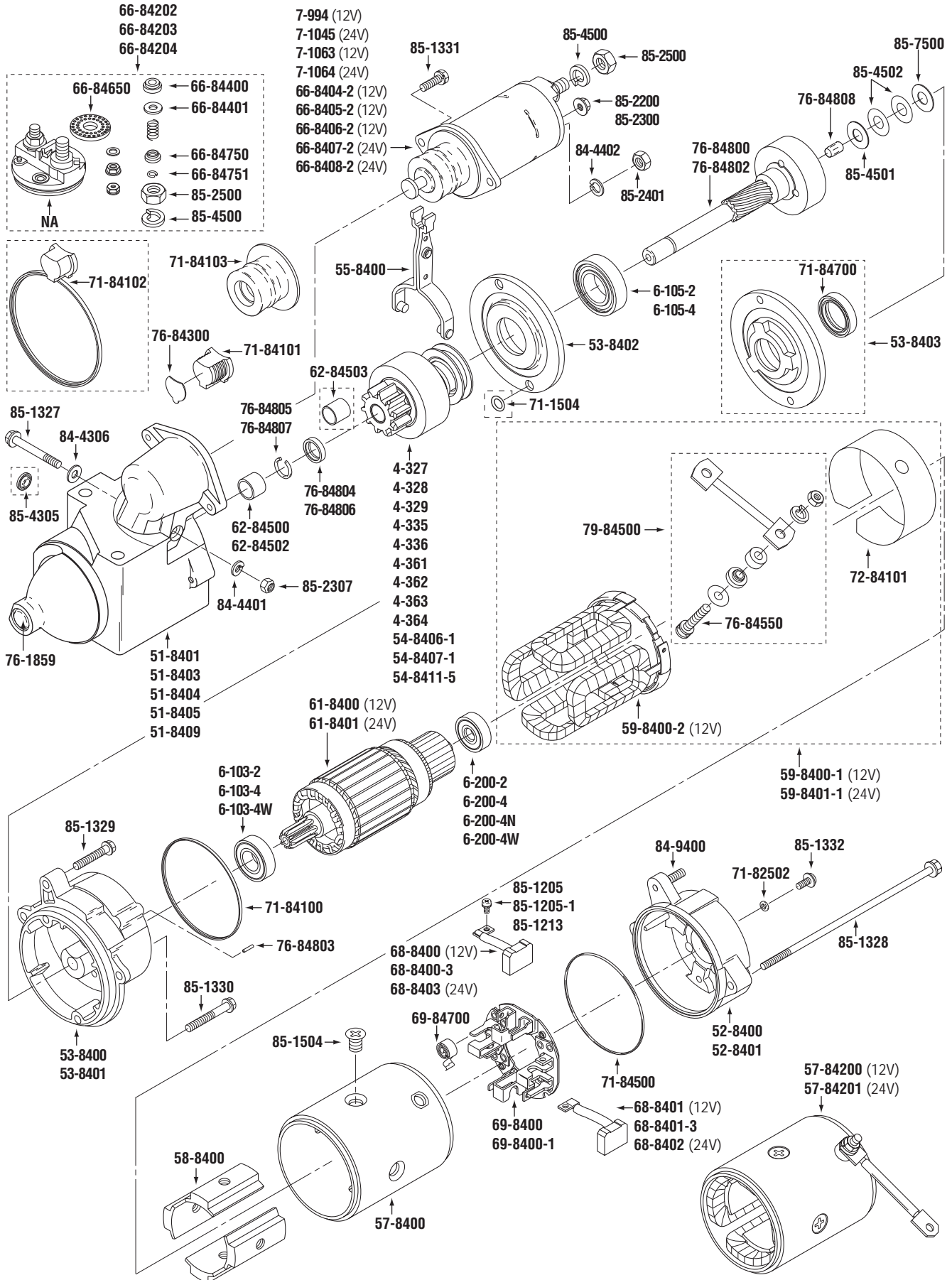


↑
79-84100

WAI No.	Description
51-8409	D.E. HOUSING (.42 3-Ear Flg. Mtg.)
52-8400	C.E. FRAME (w/ 1/4-20 Mtg. Stud)
52-8401	C.E. FRAME
53-8400	C.S. FRAME - Strs. w/ Pad Mtg. D.E. Hsgs.
53-8401	C.S. FRAME - Strs. w/ Flg. Mtg. D.E. Hsgs.
53-8402	DRIVE SHAFT FRAME - Dry Clutch Strs. (wo/ Oil Seal)
53-8403	DRIVE SHAFT FRAME - Wet Clutch Strs. (w/ Oil Seal)
54-8406-1	STARTER DRIVE (10T, CW, 14mm ID, 32mm Gear OD, 26mm Clutch Barrel Length w/ Rubber Seal)
54-8407-1	STARTER DRIVE (12T, CW, 14mm ID, 46.5mm Gear OD, 26mm Clutch Barrel Length, w/ Rubber Seal)
54-8411-5	STARTER DRIVE (10T, CW, 14mm ID, 32mm Gear OD, 32mm Clutch Barrel Length)
55-8400	SHIFT LEVER
57-8400	FIELD CASE
57-84200	FIELD CASE ASSY. - 12V
57-84201	FIELD CASE ASSY. - 24V
58-8400	POLE SHOE
59-8400-1	FIELD COIL - 12V (w/ Motor Term., Hardware Kit)
59-8400-2	FIELD COIL - 12V
59-8401-1	FIELD COIL - 24V (w/ Motor Term., Hardware Kit)
61-8400	ARMATURE - 12V
61-8401	ARMATURE - 24V
62-84500	BUSHING - D.E. (14.05mm ID x 17.08mm OD x 16.0mm L)
62-84502	BUSHING - D.E. (13.04mm ID x 16.05mm OD x 16.0mm L)
62-84503	BUSHING - Drive (14.04mm ID x 16.02mm OD x 16.0mm L)
66-8404-2	SOLENOID - 12V (M5 x 0.8 S-Term.)
66-8405-2	SOLENOID - 12V (M4 x 0.7 S-Term.)
66-8406-2	SOLENOID - 12V (M5 x 0.8 R-Term. & S-Term.)
66-8407-2	SOLENOID - 24V (M5 x 0.8 R-Term. & S-Term., Jump-Start Protection Cap)
66-8408-2	SOLENOID - 24V (M5 x 0.8 S-Term.)
66-84202	SOLENOID REPAIR KIT - 12-24V (M5 x 0.8 S-Term.)
66-84203	SOLENOID REPAIR KIT - 12V (M4 x 0.7 S-Term.)
66-84204	SOLENOID REPAIR KIT - 12-24V (M5 x 0.8 R-Term. & S-Term., Jump-Start Protection Cap)
66-84400	INSULATOR - Movable Contact
66-84401	INSULATING WASHER - Movable Contact
66-84650	MOVABLE CONTACT
66-84750	RETAINER - Movable Contact
66-84751	RETAINING RING - Movable Contact
68-8400	BRUSH - Grd., 12V
68-8400-3	BRUSH - Grd., 12V
68-8401	BRUSH - Field, 12V
68-8401-3	BRUSH - Field, 12V
68-8402	BRUSH - Field, 24V
68-8403	BRUSH - Grd., 24V
69-8400	BRUSH HOLDER ASSY.
69-8400-1	BRUSH HOLDER ASSY.
69-84700	BRUSH SPRING
71-1504	O-RING - D.E. Hsg.
71-82502	O-RING - Brush Holder Screw (5mm ID x 8mm OD)
71-84100	GASKET - C.S. Frame
71-84101	PLUG - Shift Lever Support, Dry Clutch Strs.
71-84102	SEAL - D.E. Hsg., Wet Clutch Strs.
71-84103	BOOT - Solenoid Plunger
71-84500	O-RING - C.E. Frame (82mm ID x 85.6mm OD)
71-84700	OIL SEAL - Drive Shaft Frame
72-84101	INSULATOR - Field Coil
76-1859	EXPANSION PLUG - D.E. Hsg. (19mm Dia.)

DELCO 28MT SERIES (cont'd.)

DELCO 28MT SERIES



WAI No.	Description
76-84300	PLATE - D.E. Hsg.
76-84550	TERMINAL POST - Field Coil
76-84800	DRIVE SHAFT (14mm OD x 172mm L)
76-84802	DRIVE SHAFT (14mm OD x 165mm L)
76-84803	PIN - C.S. Frame
76-84804	STOP COLLAR (13mm ID x 20mm OD)
76-84805	RETAINING RING - Used w/ 13mm Shaft
76-84806	STOP COLLAR - Used w/ Aftmrkt 1-Piece Retaining Ring (14mm ID x 20mm OD)
76-84807	RETAINING RING - Used w/ 14mm Shaft, 1-pc design
76-84808	PIN - Drive Shaft
79-84100	REPAIR KIT - 12V Strs.
79-84500	TERMINAL KIT - Field Coil
84-4306	FLAT WASHER - Shift Lever Screw (#12 ID)
84-4401	LOCK WASHER - Shift Lever Screw (1/4 ID, Split)
84-4402	LOCK WASHER - Soln. Term. (5/16 ID, Split)
84-9400	STUD - C.E. Frame (1/4-20 x 3/8 L Int., 1/4-20 x 5/8 L Ext.)
85-1205	SCREW - Brush (M4 x 0.7 x 5.7mm L, Phillips)
85-1205-1	SCREW - Brush (M4 x 0.7 x 7.5mm L, Phillips, Dog Point)
85-1213	SCREW - Brush (M4 x 0.7 x 6mm L, Hex)
85-1327	SCREW - Shift Lever (M6 x 1.0 x 49mm L, Hex)
85-1328	THRU BOLT (M6 x 1.0 x 180mm L)
85-1329	SCREW - D.E. Hsg. (M6 x 1.0 x 33mm L, Hex)
85-1330	SCREW - D.E. Hsg. (M6 x 1.0 x 57mm L, Hex)
85-1331	SCREW - Solenoid Mtg. (M6 x 1.0 x 18mm L, Hex)
85-1332	SCREW - Brush Holder Assy. (M5 x 0.8 x 14mm L, Hex)
85-1504	SCREW - Pole Shoe (M10 x 1.5 x 14mm L, Phillips)
85-2200	HEX NUT - S-Term. (M4 x 0.7 x 9mm F x 4mm T, w/ Att. Washer)
85-2300	HEX NUT - S-Term. (M5 x 0.8 x 8mm F x 4.5mm T, w/ Att. Washer)
85-2307	HEX NUT - Shift Lever Screw (M6 x 1.0 x 10mm F x 5.8mm T, Top Lock)
85-2401	HEX NUT - Soln. Motor Term. (M8 x 1.25 x 13mm F x 5mm T)
85-2500	HEX NUT - Batt. Term. (M10 x 1.5 x 17mm F x 8mm T)
85-4305	WASHER W/ SEAL - Shift Lever Screw (6mm ID, Conical)
85-4500	LOCK WASHER - Batt. Term. (10mm ID, Split)
85-4501	FLAT WASHER - Drive Shaft (10mm ID)
85-4502	FLAT WASHER - Drive Shaft (10mm ID)
85-7500	INSULATING WASHER - Drive Shaft (10mm ID)

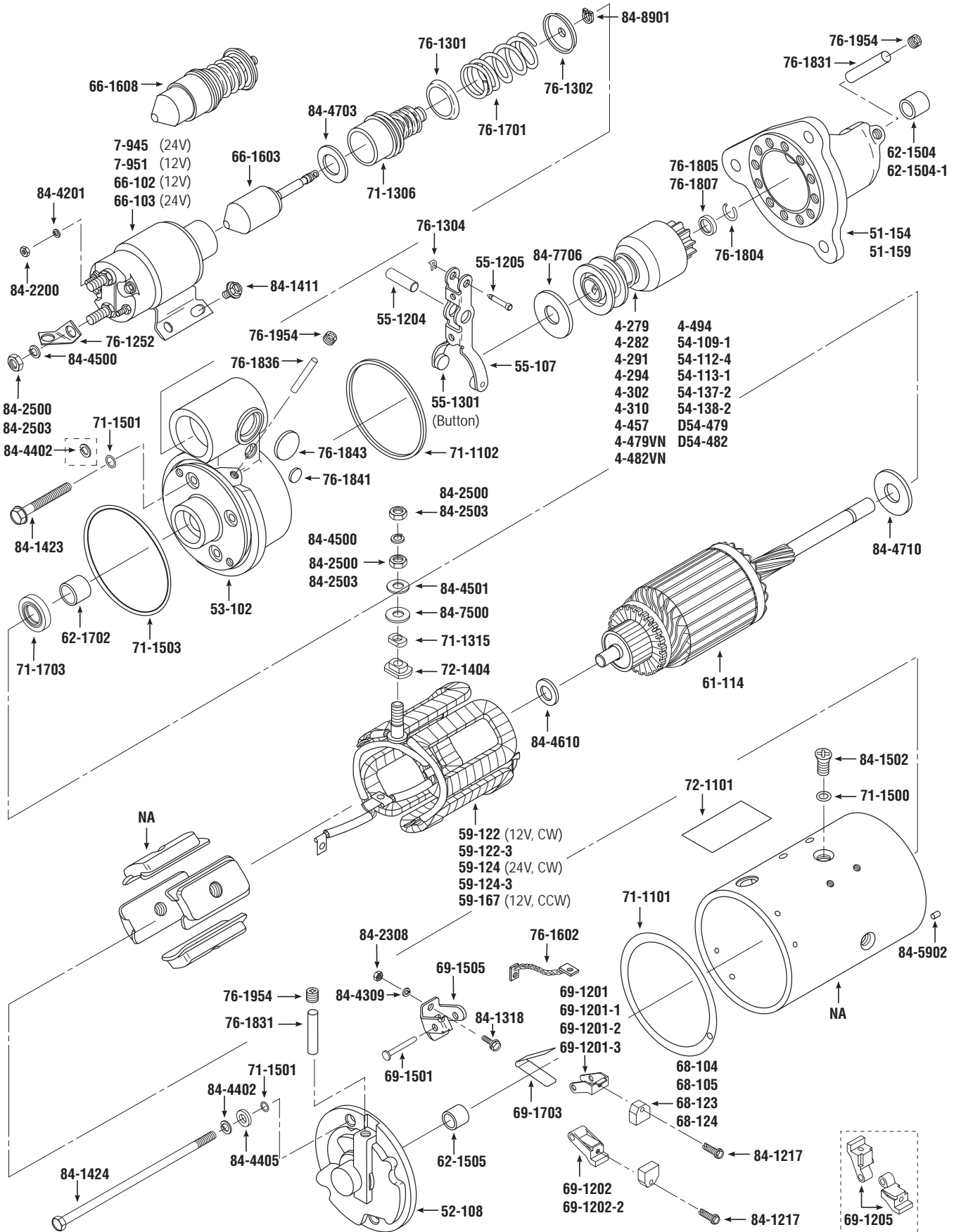
DELCO 30MT SERIES, EXTERNAL ROTATABLE

WAI No.	Description	WAI No.	Description
4-279	STARTER DRIVE (10-T, CW, 3-SPL, 97mm L, Spragg Clutch Type, Accurate)	69-1202-2	BRUSH HOLDER - Insul. (Unthreaded, Phenolic)
4-282	STARTER DRIVE (12-T, CW, 3-SPL, 97mm L, Spragg Clutch Type, Accurate)	69-1205	BRUSH HOLDER - Insul. Strs. (8-32 Threaded, Phenolic)
4-294	STARTER DRIVE (12-T, CCW, 3-SPL, 97mm L, Spragg Clutch Type, Accurate)	69-1505	SUPPORT - Brush Holder
4-310	STARTER DRIVE (10-T, CW, 3-SPL, 97mm L, Sgl. Roller Clutch Type, Accurate)	69-1515	PIN - Brush Holder (w/ Extension)
4-457	STARTER DRIVE (9-T, CW, 3-SPL, 97mm L, Dbl. Roller Clutch Type, Accurate)	69-1703	BRUSH SPRING
4-479VN	STARTER DRIVE (10-T, CW, 3-SPL, 97mm L, Ratchet Clutch Type, Accurate)	71-1104	GASKET - Inspection Plug
4-482VN	STARTER DRIVE (12-T, CW, 3-SPL, 97mm L, Ratchet Clutch Type, Accurate)	71-1306	BOOT - Solenoid Plunger
4-494	STARTER DRIVE (12-T, CCW, 3-SPL, 97mm L, Ratchet Clutch Type, Accurate)	71-1315	INSULATOR - Field Coil Term. (3/8 ID)
7-945	SOLENOID - 24V (4-Term., Insul. Base, Accurate)	71-1341	PLUG - D.E. Mtg. Holes (3/8 Dia.)
7-951	SOLENOID - 12V (4-Term., Grd. Base, Accurate)	71-1500	O-RING - Shift Lever, Pole Shoe Screw (3/8 ID x 1/2 OD)
51-145	D.E. HOUSING (Cast Iron, 5/8 3-Ear Flg. Mtg.)	71-1503	O-RING - L.H., C.E. Frame
52-106	C.E. FRAME	71-1504	O-RING - Shift Lever
53-103	LEVER HOUSING	71-1508	O-RING - D.E. Hsg. to L.H. (3-1/4 ID x 3-1/2 OD)
54-109-1	STARTER DRIVE (9-T, CW, 3-SPL, 97mm L, Dbl. Roller Clutch Type)	71-1703	OIL SEAL - L.H. (11/16 ID x 1/4 W)
54-112-4	STARTER DRIVE (12-T, CW, 3-SPL, 97mm L, Dbl. Roller Clutch Type)	72-1101	INSULATOR - Field Coil (1-1/2 W x 3 L)
54-113-1	STARTER DRIVE (10-T, CW, 3-SPL, 97mm L, Dbl. Roller Clutch Type)	72-1404	INSULATOR - Field Coil Term. (3/8 ID)
54-137-2	STARTER DRIVE (10-T, CW, 3-SPL, 97mm L, Sgl. Roller Clutch Type)	76-1301	RETAINER - Plunger Spring (1-13/64 ID)
55-106	SHIFT LEVER (5/16 Dia. Plunger Rod Hole)	76-1302	RETAINER - Plunger Spring (13/32 ID)
55-1203	SHAFT - Shift Lever (1-21/32 L)	76-1602	GROUND LEAD - Brush (8-Gauge)
59-121	FIELD COIL - 12V, CW Rotation	76-1701	SPRING - Plunger
61-114	ARMATURE - 12-24V, CW Rotation (Ref# 1802)	76-1804	RETAINING RING - Stop Collar (1/2 ID)
62-1504	BUSHING - D.E. (Prefit, .5645 ID x .7520 OD x .750 L)	76-1805	STOP COLLAR (14mm ID x 20mm OD)
62-1504-1	BUSHING - D.E. (1X-Undersize, .5620 ID x .7520 OD x .750 L)	76-1807	STOP COLLAR (14.3mm ID x 22.4mm OD)
62-1505	BUSHING - C.E. (Prefit, .5642 ID x .6895 OD x .750 L)	76-1831	OIL WICK - D.E., C.E., L.H. (5/16 OD x 2-3/8 L)
62-1702	BUSHING - L.H. (Prefit, .7600 ID x .8925 OD x .750 L)	76-1844	INSPECTION PLUG - L.H.
66-102	SOLENOID - 12V (4-Term., Grd. Base)	76-1954	PIPE PLUG - Oil Reservoir, D.E., L.H., C.E.
66-103	SOLENOID - 24V (4-Term., Insul. Base)	84-1217	SCREW - Brush (8-32 x 3/4 L, Hex, Thd. Cut.)
66-1602	PLUNGER - Soln. (5/16 Dia. Mtg. Shoulder)	84-1318	SCREW - Brush Support (10-24 x 3/4 L, Slotted)
66-1610	PLUNGER ASSEMBLY (w/ 66-1602 Plunger)	84-1411	SCREW - Soln. Mtg. (1/4-20 x 5/16 L, Hex)
68-104	BRUSH - 12V, Ref# R-87 (Concave Surface)	84-1419	SCREW - C.E., L.H. (1/4-28 x 1 L, Hex, Thd. Cut.)
68-105	BRUSH - 12V, Ref# R-87S (Flat Surface)	84-1420	SCREW - D.E. Hsg. (1/4-28 x 7/8 L, Socket Head)
68-123	BRUSH - 24V, Ref# R-66 (Concave Surface)	84-1502	SCREW - Pole Shoe (3/8-24 x 5/8 L, Phillips)
68-124	BRUSH - 24V, Ref# R-66S (Flat Surface)	84-2200	HEX NUT - Soln. Term. (8-32 x 11/32 F x 1/8 T)
69-1201	BRUSH HOLDER - Grd. (Late Style w/ Round Pivot Arm)	84-2308	HEX NUT - Brush Support (10-24 x 3/8 F x 1/8 T)
69-1201-1	BRUSH HOLDER - Grd. (Early Style w/ Pointed Pivot Arm)	84-2408	HEX NUT - Plunger (5/16-24 x 1/2 F x 7/16 T, Nylon Lock)
69-1201-2	BRUSH HOLDER - Grd. (Universal Style w/ Short Pivot Arm)	84-2500	HEX NUT - Batt., Motor Terms. (3/8-16 x 5/8 F x 5/32 T)
69-1201-3	BRUSH HOLDER - Grd. (Late Style w/ Round Pivot Arm)	84-2503	HEX NUT - Batt., Motor Terms. (3/8-16 x 5/8 F x 1/4 T)
69-1202	BRUSH HOLDER - Insul. (8-32 Threaded, Phenolic)	84-4201	LOCK WASHER - Soln. Term. (#8 ID, Split)
		84-4309	LOCK WASHER - Brush Support (#10 ID, Split)
		84-4401	LOCK WASHER - C.E., L.H. (1/4 ID, Split)
		84-4500	LOCK WASHER - Motor Term. (3/8 ID, Split)
		84-4501	FLAT WASHER - Term. Stud (3/8 ID)
		84-4610	THRUST WASHER - C.E. (9/16 ID x 1 OD, Steel)
		84-4703	FLAT WASHER - Plunger (27/32 ID)
		84-4710	SPACER - L.H. (3/4 ID x .122 T)
		84-7500	INSULATING WASHER - Term. Stud (3/8 ID)
		84-7706	BRAKE WASHER - L.H. (3/4 ID x 2 OD, Fiber)
		84-8901	SNAP RING - Plunger, Shift Lever (.338 ID x .025 T, Ext.)
		D54-479	STARTER DRIVE (10-T, CW, 3-SPL, 97mm L, Dbl. Roller Clutch Type, Accurate)
		D54-482	STARTER DRIVE (12-T, CW, 3-SPL, 97mm L, -Dbl. Roller Clutch, Accurate)

DELCO 30MT EXTERNAL ROTATABLE

DELCO 30MT SERIES, INTERNAL ROTATABLE

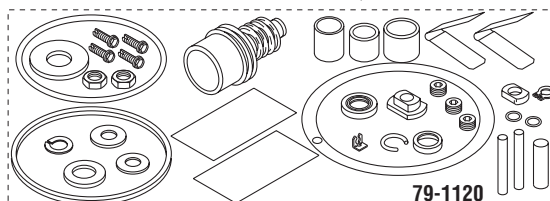
DELCO 30MT INTERNAL ROTATABLE



DELCO 30MT SERIES, INTERNAL ROTATABLE

WAI No.	Description
4-279	STARTER DRIVE (10-T, CW, 3-SPL, 97mm L, Spragg Clutch Type, Accurate)
4-282	STARTER DRIVE (12-T, CW, 3-SPL, 97mm L, Spragg Clutch Type, Accurate)
4-291	STARTER DRIVE (10-T, CW, 3-SPL, 97mm L, Sgl. Roller Clutch Type, Accurate)
4-294	STARTER DRIVE (12-T, CCW, 3-SPL, 97mm L, Spragg Clutch Type, Accurate)
4-302	STARTER DRIVE (10-T, CW, 3-SPL, 97mm L, Spragg Clutch Type, Accurate)
4-310	STARTER DRIVE (10-T, CW, 3-SPL, 97mm L, Sgl. Roller Clutch Type, Accurate)
4-457	STARTER DRIVE (9-T, CW, 3-SPL, 97mm L, Dbl. Roller Clutch Type, Accurate)
4-479VN	STARTER DRIVE (10-T, CW, 3-SPL, 97mm L, Ratchet Clutch Type, Accurate)
4-482VN	STARTER DRIVE (12-T, CW, 3-SPL, 97mm L, Ratchet Clutch Type, Accurate)
4-494	STARTER DRIVE (12-T, CCW, 3-SPL, 97mm L, Ratchet Clutch Type, Accurate)
7-945	SOLENOID - 24V (4-Term., Insul. Base, Accurate)
7-951	SOLENOID - 12V (4-Term., Grd. Base, Accurate)
51-154	D.E. HOUSING (Cast Iron, .42 3-Ear Flg. Mtg.)
51-159	D.E. HOUSING (Cast Iron, 5/8 3-Ear Flg. Mtg.)
52-108	C.E. FRAME
53-102	LEVER HOUSING
54-109-1	STARTER DRIVE (9-T, CW, 3-SPL, 97mm L, Dbl. Roller Clutch Type)
54-112-4	STARTER DRIVE (12-T, CW, 3-SPL, 97mm L, Dbl. Roller Clutch Type)
54-113-1	STARTER DRIVE (10-T, CW, 3-SPL, 97mm L, Dbl. Roller Clutch Type)
54-137-2	STARTER DRIVE (10-T, CW, 3-SPL, 97mm L, Sgl. Roller Clutch Type)
54-138-2	STARTER DRIVE (10-T, CW, 3-SPL, 97mm L, Sgl. Roller Clutch Type)
55-107	SHIFT LEVER
55-1204	SHAFT - Shift Lever
55-1205	PIN - Plunger to Shift Lever
55-1301	BUTTON - Shift Lever
59-122	FIELD COIL - 12V, CW Rotation
59-122-3	FIELD COIL - 12V, CW Rotation
59-124	FIELD COIL - 24V, CW Rotation
59-124-3	FIELD COIL - 24V, CW Rotation
59-167	FIELD COIL - 12V, CCW Rotation
61-114	ARMATURE - 12-24V, CW Rotation (Ref# 1802)
62-1504	BUSHING - D.E. (Prefit, .5645 ID x .7520 OD x .750 L)
62-1504-1	BUSHING - D.E. (1X-Undersize, .5620 ID x .7520 OD x .750 L)
62-1505	BUSHING - C.E. (Prefit, .5642 ID x .6895 OD x .750 L)
62-1702	BUSHING - L.H. (Prefit, .7600 ID x .8925 OD x .750 L)
66-102	SOLENOID - 12V (4-Term., Grd. Base)
66-103	SOLENOID - 24V (4-Term., Insul. Base)
66-1603	PLUNGER - Soln.
66-1608	PLUNGER ASSEMBLY
68-104	BRUSH - 12V, Ref# R-87 (Concave Surface)
68-105	BRUSH - 12V, Ref# R-87S (Flat Surface)
68-123	BRUSH - 24V, Ref# R-66 (Concave Surface)
68-124	BRUSH - 24V, Ref# R-66S (Flat Surface)
69-1201	BRUSH HOLDER - Grd. (Late Style w/ Round Pivot Arm)
69-1201-1	BRUSH HOLDER - Grd. (Early Style w/ Pointed Pivot Arm)
69-1201-2	BRUSH HOLDER - Grd. (Universal Style w/ Short Pivot Arm)
69-1201-3	BRUSH HOLDER - Grd. (Late Style w/ Round Pivot Arm)
69-1202	BRUSH HOLDER - Insul. (8-32 Threaded, Phenolic)
69-1202-2	BRUSH HOLDER - Insul. (Unthreaded, Phenolic)

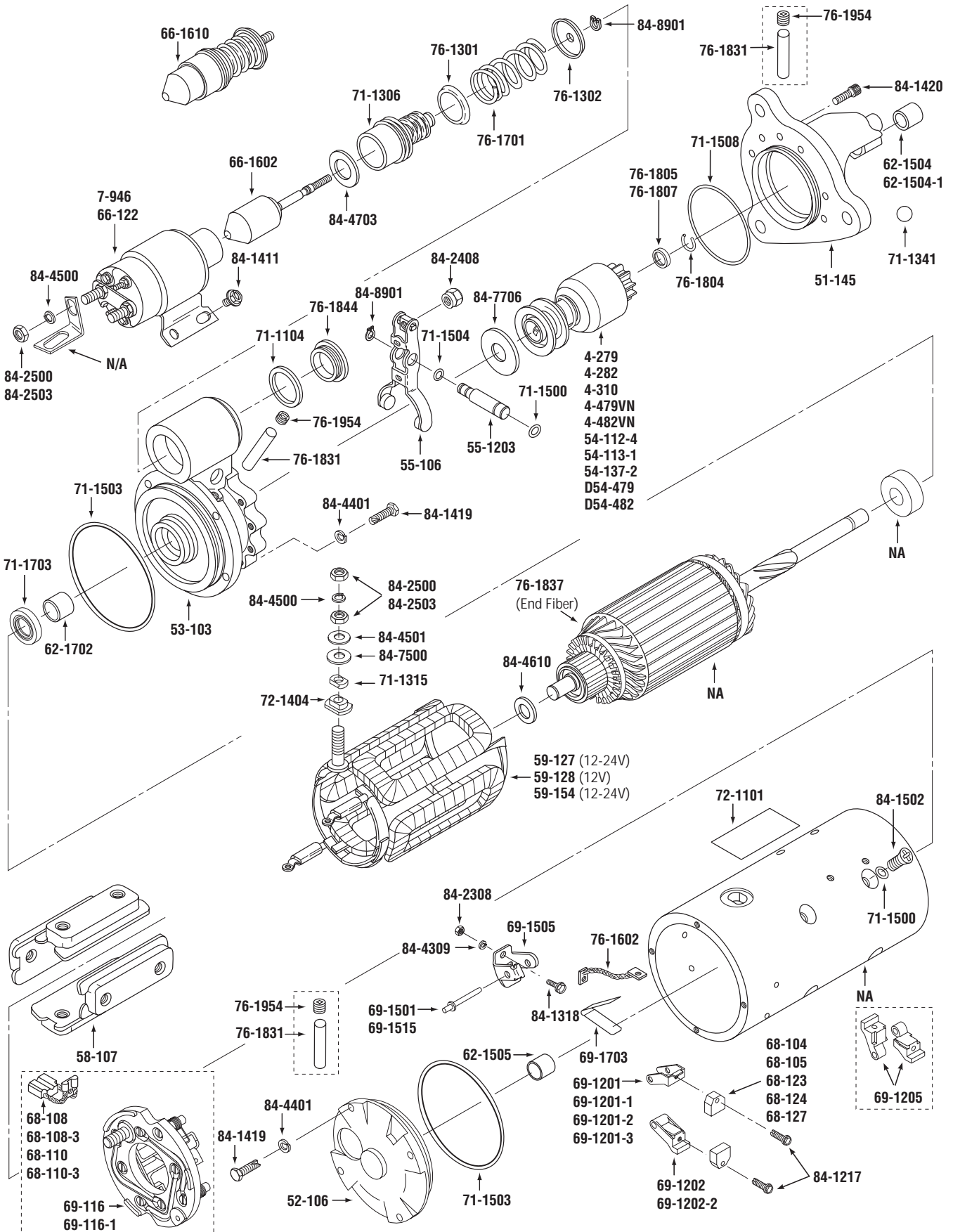
WAI No.	Description
69-1205	BRUSH HOLDER - Insul. Strs. (8-32 Threaded, Phenolic)
69-1501	PIN - Brush Holder
69-1505	SUPPORT - Brush Holder
69-1703	BRUSH SPRING
71-1101	GASKET - C.E. Frame to Field Case
71-1102	GASKET - D.E. Hsg. to L.H.
71-1306	BOOT - Solenoid Plunger
71-1315	INSULATOR - Field Coil Term. (3/8 ID)
71-1500	O-RING - Pole Shoe Screw (3/8 ID x 1/2 OD)
71-1501	O-RING - D.E. Screw, Thru Bolt (5/16 ID x 7/16 OD x 1/16 W)
71-1503	O-RING - L.H. to Field Frame
71-1703	OIL SEAL - L.H. (11/16 ID x 1/4 W)
72-1101	INSULATOR - Field Coil (1-1/2 W x 3 L)
72-1404	INSULATOR - Field Coil Term. (3/8 ID)
76-1252	CONNECTOR - Field Coil to Soln.
76-1301	RETAINER - Plunger Spring (1-13/64 ID)
76-1302	RETAINER - Plunger Spring (13/32 ID)
76-1304	CLIP - Shift Lever Pin
76-1602	GROUND LEAD - Brush (8-Gauge)
76-1701	SPRING - Plunger
76-1804	RETAINING RING - Stop Collar (1/2 ID)
76-1805	STOP COLLAR (14mm ID x 20mm OD)
76-1807	STOP COLLAR (14.3mm ID x 22.4mm OD)
76-1831	OIL WICK - D.E., C.E. (5/16 OD x 2-3/8 L)
76-1836	OIL WICK - L.H. (7/32 OD x 1-3/4 L)
76-1841	EXPANSION PLUG (5/8 Dia.)
76-1843	EXPANSION PLUG (1-3/16 Dia.)
76-1954	PIPE PLUG - Oil Reservoir, D.E., L.H., C.E.
79-1120	REPAIR KIT
84-1217	SCREW - Brush (8-32 x 3/4 L, Hex, Thd. Cut.)
84-1318	SCREW - Brush Support (10-24 x 3/4 L, Slotted)
84-1411	SCREW - Soln. Mtg. (1/4-20 x 5/16 L, Hex)
84-1423	SCREW - D.E. (5/16-18 x 2-1/2 L, Hex)
84-1424	THRU BOLT (5/16-18 x 7-3/4 L)
84-1502	SCREW - Pole Shoe (3/8-24 x 5/8 L, Phillips)
84-2200	HEX NUT - Soln. Term. (8-32 x 11/32 F x 1/8 T)
84-2308	HEX NUT - Brush Support (10-24 x 3/8 F x 1/8 T)
84-2500	HEX NUT - Batt., Motor Terms. (3/8-16 x 5/8 F x 5/32 T)
84-2503	HEX NUT - Batt., Motor Terms. (3/8-16 x 5/8 F x 1/4 T)
84-4201	LOCK WASHER - Soln. Term. (#8 ID, Split)
84-4309	LOCK WASHER - Brush Support (#10 ID, Split)
84-4402	LOCK WASHER - L.H., Thru-bolt (5/16 ID, Split)
84-4405	FLAT WASHER - Thru Bolt (5/16 ID)
84-4500	LOCK WASHER - Motor Term. (3/8 ID, Split)
84-4501	FLAT WASHER - Term. Stud (3/8 ID)
84-4610	THRUST WASHER - C.E. (9/16 ID x 1 OD, Steel)
84-4703	FLAT WASHER - Plunger (27/32 ID)
84-4710	SPACER - L.H. (3/4 ID x .122 T)
84-5902	SPLIT ROLL PIN - Field Case (3/16 OD x 3/8 L)
84-7500	INSULATING WASHER - Term. Stud (3/8 ID)
84-7706	BRAKE WASHER - L.H. (3/4 ID x 2 OD, Fiber)
84-8901	SNAP RING - Plunger (.338 ID x .025 T, Ext.)
D54-479	STARTER DRIVE (10-T, CW, 3-SPL, 97mm L, Dbl. Roller Clutch Type, Accurate)
D54-482	STARTER DRIVE (12-T, CW, 3-SPL, 97mm L, Dbl. Roller Clutch, Accurate)



DELCO 30MT INTERNAL ROTATABLE

DELCO 35MT SERIES, EXTERNAL ROTATABLE

DELCO 35MT EXTERNAL ROTATABLE



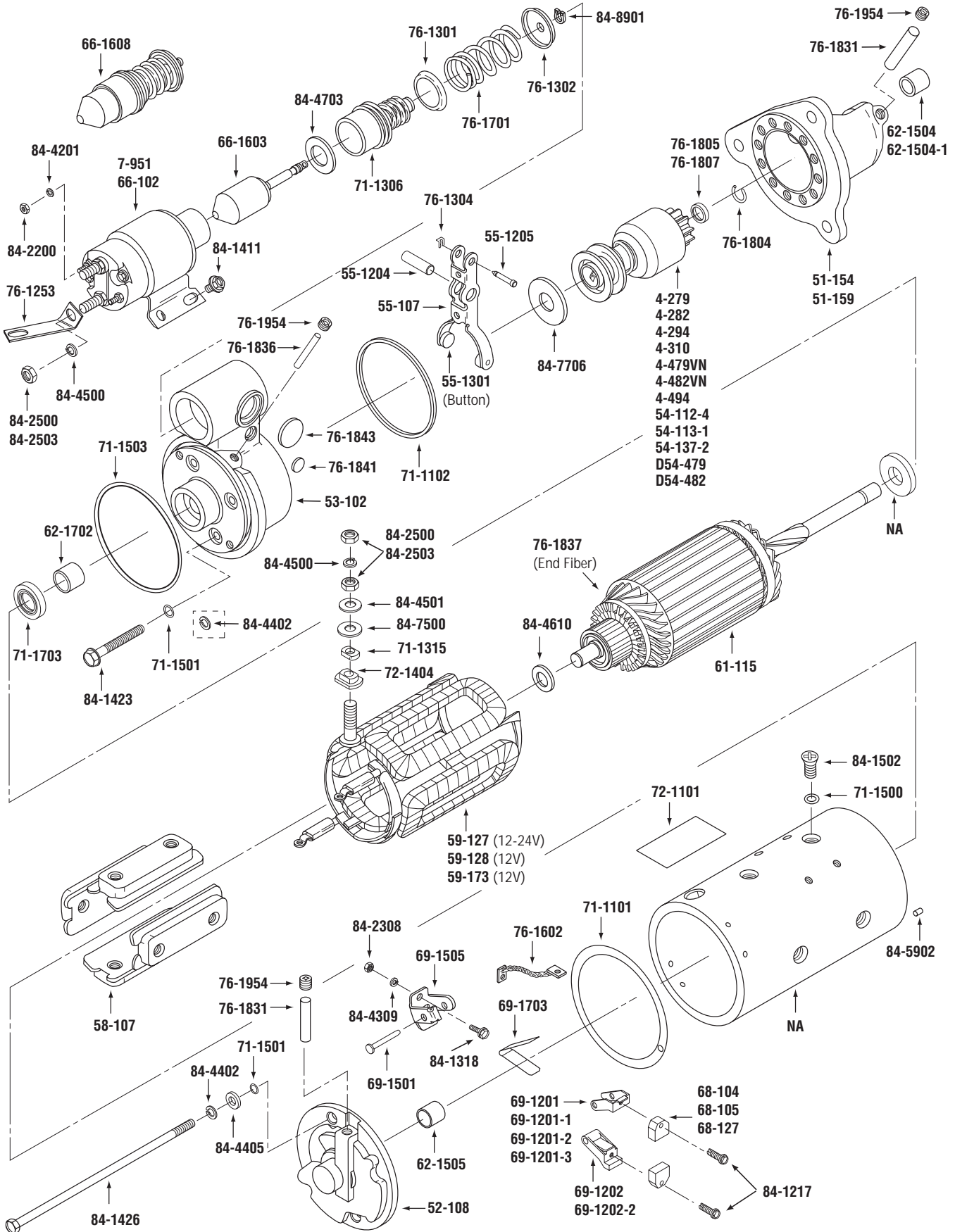
DELCO 35MT SERIES, EXTERNAL ROTATABLE

WAI No.	Description	WAI No.	Description
4-279	STARTER DRIVE (10-T, CW, 3-SPL, 97mm L, Spragg Clutch Type, Accurate)	69-1205	BRUSH HOLDER - Insul. Strs. (8-32 Threaded, Phenolic)
4-282	STARTER DRIVE (12-T, CW, 3-SPL, 97mm L, Spragg Clutch Type, Accurate)	69-1501	PIN - Brush Holder
4-310	STARTER DRIVE (10-T, CW, 3-SPL, 97mm L, Sgl. Roller Clutch Type, Accurate)	69-1505	SUPPORT - Brush Holder
4-479VN	STARTER DRIVE (10-T, CW, 3-SPL, 97mm L, Ratchet Clutch Type, Accurate)	69-1515	PIN - Brush Holder (w/ Extension)
4-482VN	STARTER DRIVE (12-T, CW, 3-SPL, 97mm L, Ratchet Clutch Type, Accurate)	69-1703	BRUSH SPRING
7-946	SOLENOID - 12V (4-Term., Grd. Base, Accurate)	71-1104	GASKET - Inspection Plug
51-145	D.E. HOUSING (Cast Iron, 5/8 3-Ear Flg. Mtg.)	71-1306	BOOT - Solenoid Plunger
52-106	C.E. FRAME	71-1315	INSULATOR - Field Coil Term. (3/8 ID)
53-103	LEVER HOUSING	71-1341	PLUG - D.E. Mtg. Holes (3/8 Dia.)
54-112-4	STARTER DRIVE (12-T, CW, 3-SPL, 97mm L, Dbl. Roller Clutch Type)	71-1500	O-RING - Shift Lever, Pole Shoe Screw (3/8 ID x 1/2 OD)
54-113-1	STARTER DRIVE (10-T, CW, 3-SPL, 97mm L, Dbl. Roller Clutch Type)	71-1503	O-RING - L.H., C.E. Frame
54-137-2	STARTER DRIVE (10-T, CW, 3-SPL, 97mm L, Sgl. Roller Clutch Type)	71-1504	O-RING - Shift Lever
55-106	SHIFT LEVER (5/16 Dia. Plunger Rod Hole)	71-1508	O-RING - D.E. Hsg. to L.H. (3-1/4 ID x 3-1/2 OD)
55-1203	SHAFT - Shift Lever (1-21/32 L)	71-1703	OIL SEAL - L.H. (11/16 ID x 1/4 W)
58-107	POLE SHOE	72-1101	INSULATOR - Field Coil (1-1/2 W x 3 L)
59-127	FIELD COIL - 12-24V, CW Rotation (3/8-16 Term.)	72-1404	INSULATOR - Field Coil Term. (3/8 ID)
59-128	FIELD COIL - 12V, CW Rotation (3/8-16 Term.)	76-1301	RETAINER - Plunger Spring (1-13/64 ID)
59-154	FIELD COIL - 12-24V, CW Rotation (1/2-13 Term.)	76-1302	RETAINER - Plunger Spring (13/32 ID)
62-1504	BUSHING - D.E. (Prefit, .5645 ID x .7520 OD x .750 L)	76-1602	GROUND LEAD - Brush (8-Gauge)
62-1504-1	BUSHING - D.E. (1X-Undersize, .5620 ID x .7520 OD x .750 L)	76-1701	SPRING - Plunger
62-1505	BUSHING - C.E. (Prefit, .5642 ID x .6895 OD x .750 L)	76-1804	RETAINING RING - Stop Collar (1/2 ID)
62-1702	BUSHING - L.H. (Prefit, .7600 ID x .8925 OD x .750 L)	76-1805	STOP COLLAR (14mm ID x 20mm OD)
66-122	SOLENOID - 12V (4-Term., Grd. Base)	76-1807	STOP COLLAR (14.3mm ID x 22.4mm OD)
66-1602	PLUNGER - Soln. (5/16 Dia. Mtg. Shoulder)	76-1831	OIL WICK - D.E., C.E., L.H. (5/16 OD x 2-3/8 L)
66-1610	PLUNGER ASSEMBLY (w/ 66-1602 Plunger)	76-1837	END FIBER - Armature
68-104	BRUSH - 12V, Ref# R-87 (Concave Surface)	76-1844	INSPECTION PLUG - L.H.
68-105	BRUSH - 12V, Ref# R-87S (Flat Surface)	76-1954	PIPE PLUG - Oil Reservoir, D.E., L.H., C.E.
68-108	BRUSH - 12V, Ref# R-69, 8-Req.	84-1217	SCREW - Brush (8-32 x 3/4 L, Hex, Thd. Cut.)
68-108-3	BRUSH - 12V, Ref# R-69, 8-Req.	84-1318	SCREW - Brush Support (10-24 x 3/4 L, Slotted)
68-110	BRUSH - 24V, Ref# R-70, 8-Req.	84-1411	SCREW - Soln. Mtg. (1/4-20 x 5/16 L, Hex)
68-110-3	BRUSH - 24V, Ref# R-70, 8-Req.	84-1419	SCREW - C.E., L.H. (1/4-28 x 1 L, Hex, Thd. Cut.)
68-123	BRUSH - 24V, Ref# R-66 (Concave Surface)	84-1420	SCREW - D.E. Hsg. (1/4-28 x 7/8 L, Socket Head)
68-124	BRUSH - 24V, Ref# R-66S (Flat Surface)	84-1502	SCREW - Pole Shoe (3/8-24 x 5/8 L, Phillips)
68-127	BRUSH - 12V, Ref# R-102	84-2308	HEX NUT - Brush Support (10-24 x 3/8 F x 1/8 T)
69-116	BRUSH HOLDER ASSY.	84-2408	HEX NUT - Plunger (5/16-24 x 1/2 F x 7/16 T, Nylon Lock)
69-116-1	BRUSH HOLDER ASSY.	84-2500	HEX NUT - Batt., Motor Terms. (3/8-16 x 5/8 F x 5/32 T)
69-1201	BRUSH HOLDER - Grd. (Late Style w/ Round Pivot Arm)	84-2503	HEX NUT - Batt., Motor Terms. (3/8-16 x 5/8 F x 1/4 T)
69-1201-1	BRUSH HOLDER - Grd. (Early Style w/ Pointed Pivot Arm)	84-4309	LOCK WASHER - Brush Support (#10 ID, Split)
69-1201-2	BRUSH HOLDER - Grd. (Universal Style w/ Short Pivot Arm)	84-4401	LOCK WASHER - C.E., L.H. (1/4 ID, Split)
69-1201-3	BRUSH HOLDER - Grd. (Late Style w/ Round Pivot Arm)	84-4500	LOCK WASHER - Motor Term. (3/8 ID, Split)
69-1202	BRUSH HOLDER - Insul. (8-32 Threaded, Phenolic)	84-4501	FLAT WASHER - Term. Stud (3/8 ID)
69-1202-2	BRUSH HOLDER - Insul. (Unthreaded, Phenolic)	84-4610	THRUST WASHER - C.E. (9/16 ID x 1 OD, Steel)
		84-4703	FLAT WASHER - Plunger (27/32 ID)
		84-7500	INSULATING WASHER - Term. Stud (3/8 ID)
		84-7706	BRAKE WASHER - L.H. (3/4 ID x 2 OD, Fiber)
		84-8901	SNAP RING - Plunger, Shift Lever (.338 ID x .025 T, Ext.)
		D54-479	STARTER DRIVE (10-T, CW, 3-SPL, 97mm L, Dbl. Roller Clutch Type, Accurate)
		D54-482	STARTER DRIVE (12-T, CW, 3-SPL, 97mm L, Dbl. Roller Clutch, Accurate)

DELCO 35MT EXTERNAL ROTATABLE

DELCO 35MT SERIES, INTERNAL ROTATABLE

DELCO 35MT INTERNAL ROTATABLE



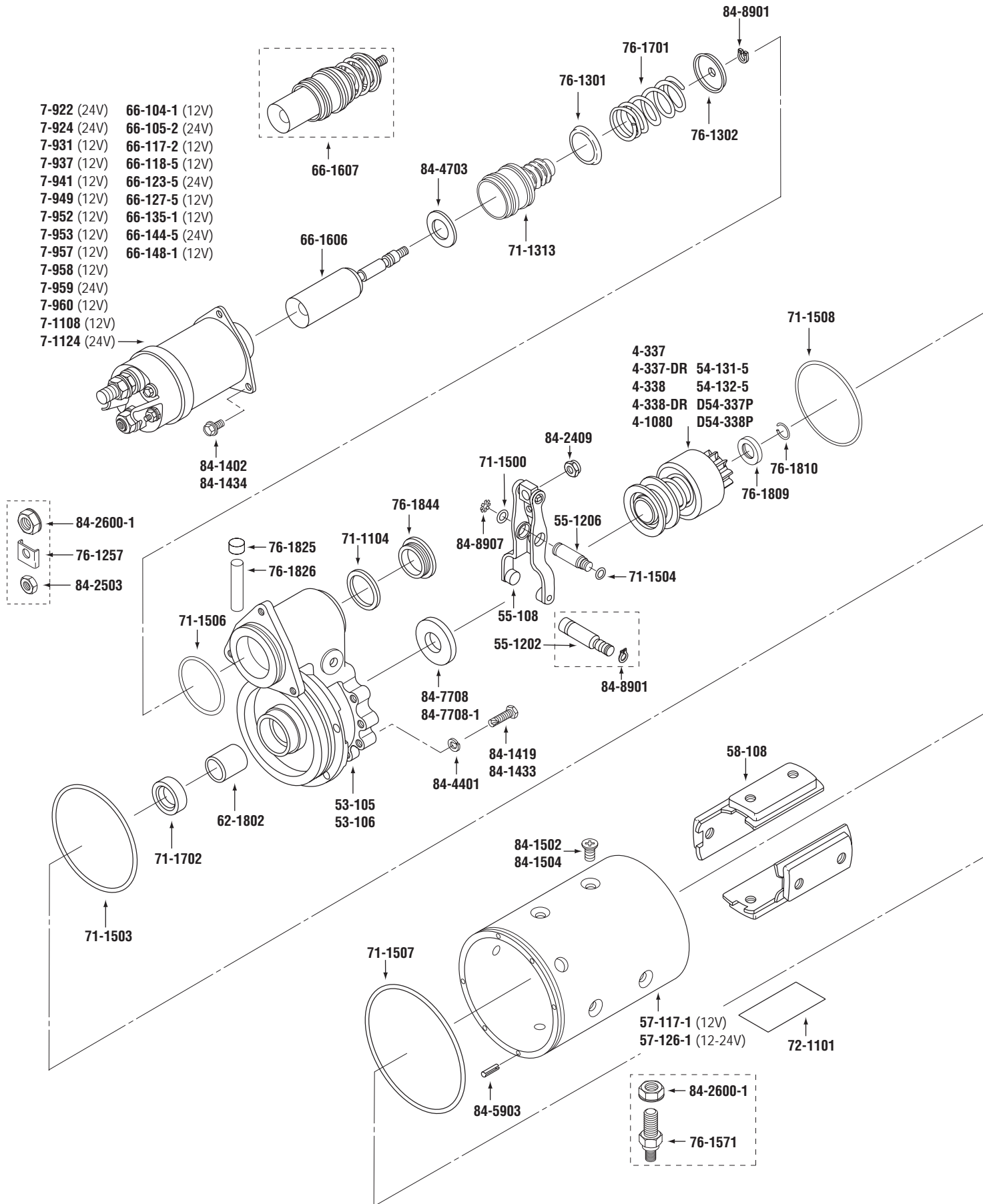
DELCO 35MT SERIES, INTERNAL ROTATABLE

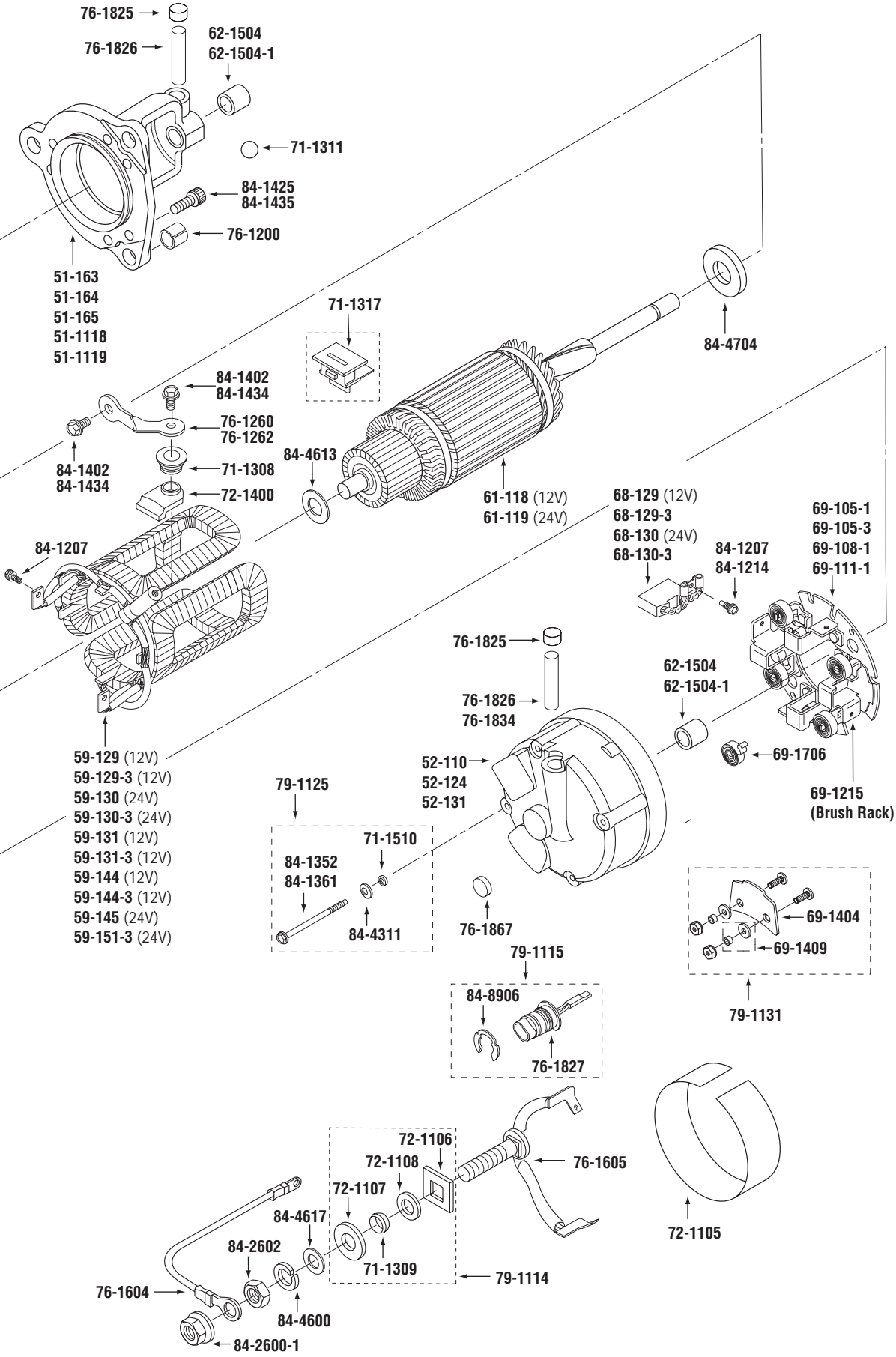
WAI No.	Description	WAI No.	Description
4-279	STARTER DRIVE (10-T, CW, 3-SPL, 97mm L, Spragg Clutch Type, Accurate)	69-1703	BRUSH SPRING
4-282	STARTER DRIVE (12-T, CW, 3-SPL, 97mm L, Spragg Clutch Type, Accurate)	71-1101	GASKET - C.E. Frame to Field Case
4-294	STARTER DRIVE (12-T, CCW, 3-SPL, 97mm L, Spragg Clutch Type, Accurate)	71-1102	GASKET - D.E. Hsg. to L.H.
4-310	STARTER DRIVE (10-T, CW, 3-SPL, 97mm L, Sgl. Roller Clutch Type, Accurate)	71-1306	BOOT - Solenoid Plunger
4-479VN	STARTER DRIVE (10-T, CW, 3-SPL, 97mm L, Ratchet Clutch Type, Accurate)	71-1315	INSULATOR - Field Coil Term. (3/8 ID)
4-482VN	STARTER DRIVE (12-T, CW, 3-SPL, 97mm L, Ratchet Clutch Type, Accurate)	71-1500	O-RING - Pole Shoe Screw (3/8 ID x 1/2 OD)
4-494	STARTER DRIVE (12-T, CCW, 3-SPL, 97mm L, Ratchet Clutch Type, Accurate)	71-1501	O-RING - D.E. Screw, Thru Bolt (5/16 ID x 7/16 OD x 1/16 W)
7-951	SOLENOID - 12V (4-Term., Grd. Base, Accurate)	71-1503	O-RING - L.H. to Field Frame
51-154	D.E. HOUSING (Cast Iron, .42 3-Ear Flg. Mtg.)	71-1703	OIL SEAL - L.H. (11/16 ID x 1/4 W)
51-159	D.E. HOUSING (Cast Iron, 5/8 3-Ear Flg. Mtg.)	72-1101	INSULATOR - Field Coil (1-1/2 W x 3 L)
52-108	C.E. FRAME	72-1404	INSULATOR - Field Coil Term. (3/8 ID)
53-102	LEVER HOUSING	76-1253	CONNECTOR - Field Coil to Soln.
54-112-4	STARTER DRIVE (12-T, CW, 3-SPL, 97mm L, Dbl. Roller Clutch Type)	76-1301	RETAINER - Plunger Spring (1-13/64 ID)
54-113-1	STARTER DRIVE (10-T, CW, 3-SPL, 97mm L, Dbl. Roller Clutch Type)	76-1302	RETAINER - Plunger Spring (13/32 ID)
54-137-2	STARTER DRIVE (10-T, CW, 3-SPL, 97mm L, Sgl. Roller Clutch Type)	76-1304	CLIP - Shift Lever Pin
55-107	SHIFT LEVER	76-1602	GROUND LEAD - Brush (8-Gauge)
55-1204	SHAFT - Shift Lever	76-1701	SPRING - Plunger
55-1205	PIN - Plunger to Shift Lever	76-1804	RETAINING RING - Stop Collar (1/2 ID)
55-1301	BUTTON - Shift Lever	76-1805	STOP COLLAR (14mm ID x 20mm OD)
58-107	POLE SHOE	76-1807	STOP COLLAR (14.3mm ID x 22.4mm OD)
59-127	FIELD COIL - 12V, CW Rotation (3/8-16 Term.)	76-1831	OIL WICK - D.E., C.E. (5/16 OD x 2-3/8 L)
59-128	FIELD COIL - 12V, CW Rotation (3/8-16 Term.)	76-1836	OIL WICK - L.H. (7/32 OD x 1-3/4 L)
59-173	FIELD COIL - 12V, CCW Rotation (3/8-16 Term.)	76-1837	END FIBER - Armature
61-115	ARMATURE - 12V, CW Rotation (Ref# 2080)	76-1841	EXPANSION PLUG (5/8 Dia.)
62-1504	BUSHING - D.E. (Prefit, .5645 ID x .7520 OD x .750 L)	76-1843	EXPANSION PLUG (1-3/16 Dia.)
62-1504-1	BUSHING - D.E. (1X-Undersize, .5620 ID x .7520 OD x .750 L)	76-1954	PIPE PLUG - Oil Reservoir, D.E., L.H., C.E.
62-1505	BUSHING - C.E. (Prefit, .5642 ID x .6895 OD x .750 L)	84-1217	SCREW - Brush (8-32 x 3/4 L, Hex, Thd. Cut.)
62-1702	BUSHING - L.H. (Prefit, .7600 ID x .8925 OD x .750 L)	84-1318	SCREW - Brush Support (10-24 x 3/4 L, Slotted)
66-102	SOLENOID - 12V (4-Term., Grd. Base)	84-1411	SCREW - Soln. Mtg. (1/4-20 x 5/16 L, Hex)
66-1603	PLUNGER - Soln.	84-1423	SCREW - D.E. (5/16-18 x 2-1/2 L, Hex)
66-1608	PLUNGER ASSEMBLY	84-1426	THRU BOLT (5/16-18 x 9-1/8 L)
68-104	BRUSH - 12V, Ref# R-87 (Concave Surface)	84-1502	SCREW - Pole Shoe (3/8-24 x 5/8 L, Phillips)
68-105	BRUSH - 12V, Ref# R-87S (Flat Surface)	84-2200	HEX NUT - Soln. Term. (8-32 x 11/32 F x 1/8 T)
68-127	BRUSH - 12V, Ref# R-102	84-2308	HEX NUT - Brush Support (10-24 x 3/8 F x 1/8 T)
69-1201	BRUSH HOLDER - Grd. (Late Style w/ Round Pivot Arm)	84-2500	HEX NUT - Batt., Motor Terms. (3/8-16 x 5/8 F x 5/32 T)
69-1201-1	BRUSH HOLDER - Grd. (Early Style w/ Pointed Pivot Arm)	84-2503	HEX NUT - Batt., Motor Terms. (3/8-16 x 5/8 F x 1/4 T)
69-1201-2	BRUSH HOLDER - Grd. (Universal Style w/ Short Pivot Arm)	84-4201	LOCK WASHER - Soln. Term. (#8 ID, Split)
69-1201-3	BRUSH HOLDER - Grd. (Late Style w/ Round Pivot Arm)	84-4309	LOCK WASHER - Brush Support (#10 ID, Split)
69-1202	BRUSH HOLDER - Insul. (8-32 Threaded, Phenolic)	84-4402	LOCK WASHER - L.H., Thru-bolt (5/16 ID, Split)
69-1202-2	BRUSH HOLDER - Insul. (Unthreaded, Phenolic)	84-4405	FLAT WASHER - Thru Bolt (5/16 ID)
69-1501	PIN - Brush Holder	84-4500	LOCK WASHER - Motor Term. (3/8 ID, Split)
69-1505	SUPPORT - Brush Holder	84-4501	FLAT WASHER - Term. Stud (3/8 ID)
		84-4610	THRUST WASHER - C.E. (9/16 ID x 1 OD, Steel)
		84-4703	FLAT WASHER - Plunger (27/32 ID)
		84-5902	SPLIT ROLL PIN - Field Case (3/16 OD x 3/8 L)
		84-7500	INSULATING WASHER - Term. Stud (3/8 ID)
		84-7706	BRAKE WASHER - L.H. (3/4 ID x 2 OD, Fiber)
		84-8901	SNAP RING - Plunger (.338 ID x .025 T, Ext.)
		D54-479	STARTER DRIVE (10-T, CW, 3-SPL, 97mm L, Dbl. Roller Clutch Type, Accurate)
		D54-482	STARTER DRIVE (12-T, CW, 3-SPL, 97mm L, Dbl. Roller Clutch, Accurate)

DELCO 35MT INTERNAL ROTATABLE

DELCO 37MT SERIES

DELCO 37MT SERIES



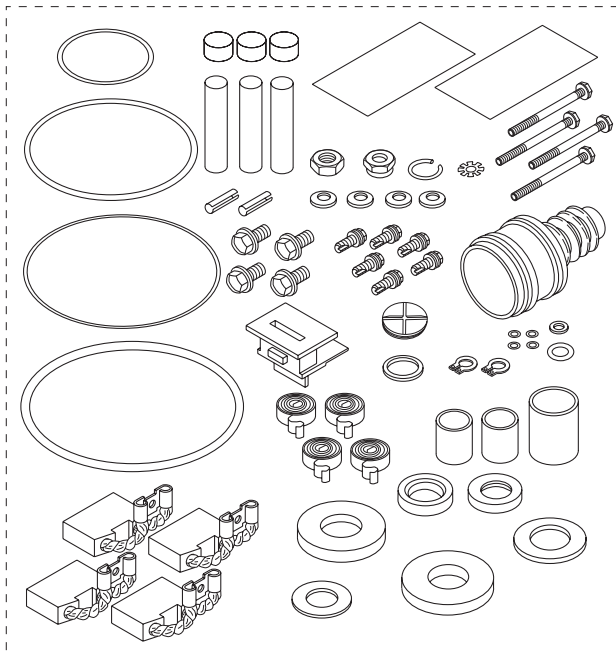


DELCO 37MT SERIES (cont'd.)

WAI No.	Description	WAI No.	Description
4-337	STARTER DRIVE (10-T, CW, 3-SPL, Sgl. Roller Clutch Type, Accurate)	59-131	FIELD COIL - 12V, CW Rotation
4-337-DR	STARTER DRIVE (10-T, CW, 3-SPL, Dbl. Roller Clutch Type, Accurate)	59-131-3	FIELD COIL - 12V, CW Rotation
4-338	STARTER DRIVE (12-T, CW, 3-SPL, Sgl. Roller Clutch Type, Accurate)	59-144	FIELD COIL - 12V, CW Rotation
4-338-DR	STARTER DRIVE (12-T, CW, 3-SPL, Dbl. Roller Clutch Type, Accurate)	59-144-3	FIELD COIL - 12V, CW Rotation
4-1080	STARTER DRIVE - 41MT Conversion Drive (10-T, CW, 19-SPL, Positive Engagement Design, Accurate)	59-145	FIELD COIL - 24V, CW Rotation
7-922	SOLENOID - 24V (1/2 Batt., 1/2 Motor Terms., Insul. Base, RH S-Term., Accurate)	59-151-3	FIELD COIL - 24V, CW Rotation
7-924	SOLENOID - 24V (1/2 Batt., 1/2 Motor Terms., Grd. Base, RH S-Term., Accurate)	61-118	ARMATURE - 12V, CW Rotation
7-931	SOLENOID - 12V (1/2 Batt., 1/2 Motor Terms., Grd. Base, RH S-Term., Accurate)	61-119	ARMATURE - 24V, CW Rotation
7-937	SOLENOID - 12V (1/2 Batt., 3/8 Motor Terms., Grd. Base, RH S-Term., Accurate)	62-1504	BUSHING - D.E., C.E. (Prefit, .5645 ID x .7520 OD x .750 L)
7-941	SOLENOID - 12V (1/2 Batt., 1/2 Motor Terms., Grd. Base, LH S-Term., Accurate)	62-1504-1	BUSHING - D.E., C.E. (1X-Undersize, .5620 ID x .7520 OD x .750 L)
7-949	SOLENOID - 12V (3/8 Batt., 1/2 Motor Terms., Grd. Base, RH S-Term., Accurate)	62-1802	BUSHING - L.H. (Prefit, .8870 ID x 1.0090 OD x 1.000 L)
7-952	SOLENOID - 12V (3/8 Batt., 3/8 Motor Terms., Grd. Base, RH S-Term., Accurate)	66-104-1	SOLENOID - 12V (3/8 Batt., 3/8 Motor Terms., Grd. Base, RH S-Term.)
7-953	SOLENOID - 12V (1/2 Batt., 3/8 Motor Terms., Grd. Base, LH S-Term., Accurate)	66-105-2	SOLENOID - 24V (1/2 Batt., 1/2 Motor Terms., Insul. Base, RH S-Term.)
7-957	SOLENOID - 12V (1/2 Batt., 1/2 Motor Terms., Insul. Base, LH S-Term., Accurate)	66-117-2	SOLENOID - 12V (1/2 Batt., 1/2 Motor Terms., Grd. Base, RH S-Term.)
7-958	SOLENOID - 12V (1/2 Batt., 1/2 Motor Terms., Insul. Base, RH S-Term., Accurate)	66-118-5	SOLENOID - 12V (1/2 Batt., 1/2 Motor Terms., Grd. Base, LH S-Term.)
7-959	SOLENOID - 24V (1/2 Batt., 1/2 Motor Terms., Grd. Base, RH S-Term. Jump-Start Protection Cap, Accurate)	66-123-5	SOLENOID - 24V (1/2 Batt., 1/2 Motor Terms., Grd. Base, RH S-Term.)
7-960	SOLENOID - 12V (1/2 Batt., 1/2 Motor Terms., Grd. Base, RH S-Term., Jump-Start Protection Cap, Accurate)	66-127-5	SOLENOID - 12V (1/2 Batt., 1/2 Motor Terms., Insul. Base, RH S-Term., Accurate)
7-1108	SOLENOID - 12V (1/2 Batt., 1/2 Motor Terms., Insul. Base, RH S-Term. w/ 43mm L Batt. Term., Accurate)	66-135-1	SOLENOID - 12V (1/2 Batt., 1/2 Motor Terms., Insul. Base, RH S-Term. w/ 43mm L Batt. Term.)
7-1124	SOLENOID - 24V (1/2 Batt., 1/2 Motor Terms., Insul. Base, RH S-Term., Accurate)	66-144-5	SOLENOID - 24V (1/2 Batt., 1/2 Motor Terms., Grd. Base, RH S-Term. Jump-Start Protection Cap)
51-163	D.E. HOUSING (Cast Iron, .42 3-Ear Flg. Mtg.)	66-148-1	SOLENOID - 12V (1/2 Batt., 1/2 Motor Terms., Grd. Base, RH S-Term., Jump-Start Protection Cap)
51-164	D.E. HOUSING (Cast Iron, 5/8 3-Ear Flg. Mtg.)	66-1606	PLUNGER - Solenoid
51-165	D.E. HOUSING (Cast Iron, 5/8 3-Ear Flg. Mtg.)	66-1607	PLUNGER ASSEMBLY
51-1118	D.E. HOUSING (Cast Iron, 3/8 3-Ear Flg. Mtg.)	68-129	BRUSH - 12V, Ref# R-135
51-1119	D.E. HOUSING (Cast Iron, 3/8 3-Ear Flg. Mtg.)	68-129-3	BRUSH - 12V, Ref# R-135
52-110	C.E. FRAME - 12V, Early Type (w/ Slot for F.C. Term.)	68-130	BRUSH - 24V, Ref# R-135H
52-124	C.E. FRAME - 12-24V (wo/ C.E. Terminal Hole)	68-130-3	BRUSH - 24V, Ref# R-135H
52-131	C.E. FRAME - 12-24V (w/ C.E. Terminal Hole)	69-105-1	BRUSH HOLDER ASSY. - Early Type, 12-24V (wo/ 4-Brushes)
53-105	LEVER HOUSING	69-105-3	BRUSH HOLDER ASSY. - Early Type, 12-24V (wo/ 4-Brushes)
53-106	LEVER HOUSING	69-108-1	BRUSH HOLDER ASSY. - Late Type, 12-24V (wo/ 4-Brushes, Grounded Base)
54-131-5	STARTER DRIVE (10-T, CW, 3-SPL, Dbl. Roller Clutch Type)	69-111-1	BRUSH HOLDER ASSY. - Late Type, 12-24V (wo/ 4-Brushes, Insulated Base)
54-132-5	STARTER DRIVE (12-T, CW, 3-SPL, Sgl. Roller Clutch Type)	69-1215	BRUSH RACK - Brush Holder
55-108	SHIFT LEVER	69-1404	INSULATOR - Brush Holder
55-1202	SHAFT - Shift Lever (2-9/32 L)	69-1409	INSULATOR - Brush Holder
55-1206	SHAFT - Shift Lever (1-11/16 L)	69-1706	BRUSH SPRING
57-117-1	FIELD CASE - 12V, Early Type w/ Fld. Coil Term. thru C.E. Frame	71-1104	GASKET - Inspection Plug
57-126-1	FIELD CASE - 12-24V, Late Type w/ Fld. Coil Term. thru Fld. Case	71-1308	GROMMET - Field Coil Term. (Outside)
58-108	POLE SHOE - CW Rotation	71-1309	INSULATOR - C.E. Term. (Rubber)
59-129	FIELD COIL - 12V, CW Rotation	71-1311	PLUG - D.E. Mtg. Holes
59-129-3	FIELD COIL - 12V, CW Rotation	71-1313	BOOT - Solenoid Plunger
59-130	FIELD COIL - 24V, CW Rotation	71-1317	GROMMET - Motor Lead, Early 12V
59-130-3	FIELD COIL - 24V, CW Rotation	71-1500	O-RING - Shift Lever (3/8 ID x 1/2 OD)
		71-1503	O-RING - L.H. to Field Frame
		71-1504	O-RING - Shift Lever
		71-1506	O-RING - L.H. to Soln.
		71-1507	O-RING - Field Case to C.E. Frame
		71-1508	O-RING - D.E. Hsg. to L.H. (3-1/4 ID x 3-1/2 OD)
		71-1510	O-RING - C.E. Frame Screw
		71-1702	OIL SEAL - L.H.

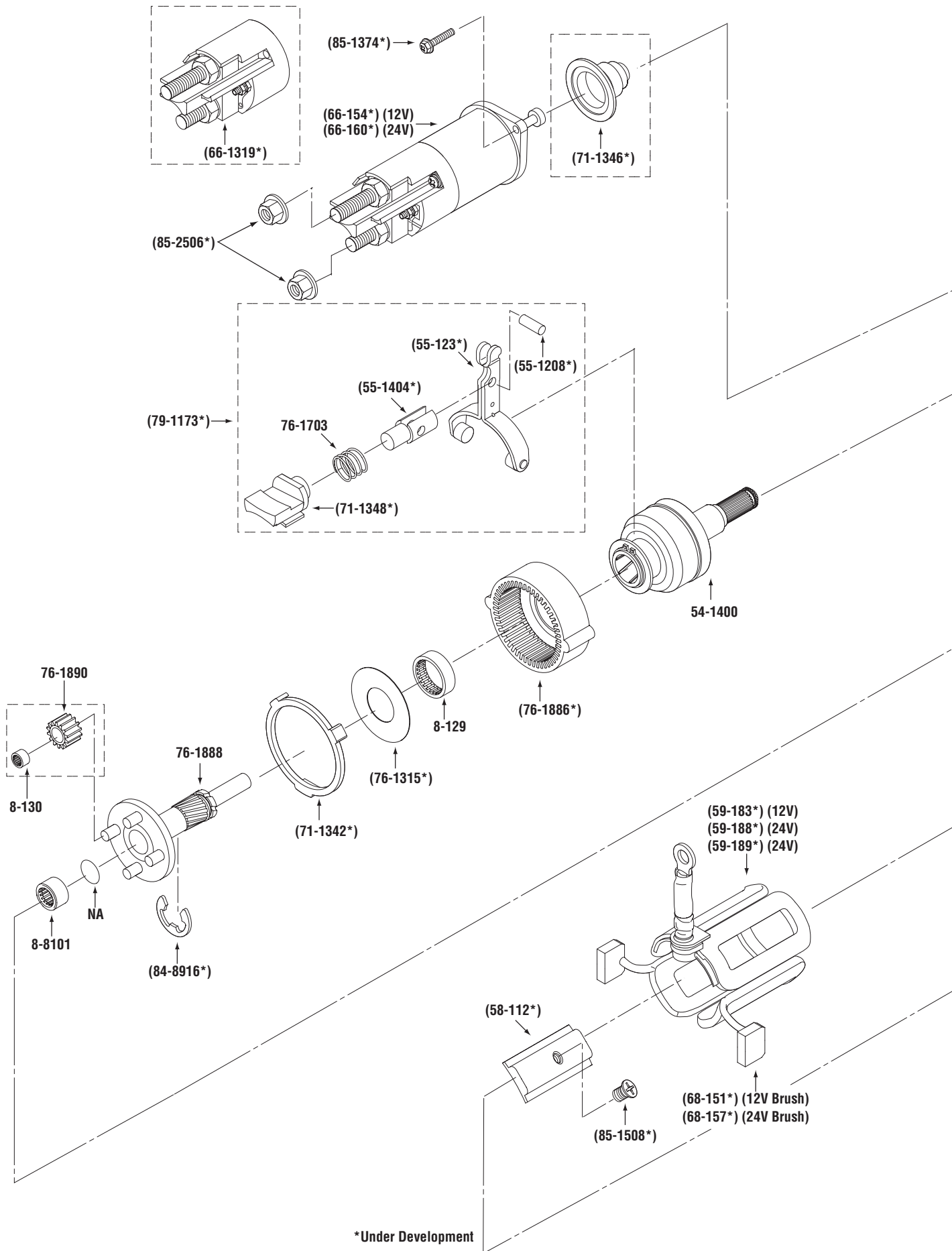
WAI No.	Description	WAI No.	Description
72-1101	INSULATOR - Field Coil (1-1/2 W x 3 L)	84-1207	SCREW - Brush Holder (8-32 x 1/2 L, Hex, Thd. Cut.)
72-1105	INSULATOR - Field Coil (1-1/2 W x 13-1/2 L)	84-1214	SCREW - Brush (8-32 x 1/2 L, Slotted Hex)
72-1106	INSULATOR - C.E. Term.	84-1352	THRU BOLT - C.E. Frame (10-32 x 2-1/4 L)
72-1107	INSULATOR - C.E. Term.	84-1361	THRU BOLT - C.E. Frame (10-32 x 2-1/4 L, E8 Torx)
72-1108	INSULATOR - C.E. Term.	84-1402	SCREW - Soln. Mtg., Field Coil to Solenoid Connector (1/4-20 x 1/2 L, Hex)
72-1400	INSULATOR - Field Coil Term.	84-1419	SCREW - L.H. (1/4-28 x 1 L, Hex, Thd. Cut.)
76-1200	REDUCING BUSHING (Reduces 5/8 Dia. Mtg. Hole to 1/2 Dia.)	84-1425	SCREW - D.E. Hsg. (5/16-18 x 7/8 L, Socket Head)
76-1257	RETAINER - Motor Term., used to secure 59-129 Field Coil Term. (3/8 ID)	84-1433	SCREW - L.H. (1/4-28 x 1 L, E8 Torx, Thd. Cut.)
76-1260	CONNECTOR - Field Coil to Soln., 24V (1/2 Dia. Hole)	84-1434	SCREW - Soln. Mtg., Field Coil to Solenoid Connector (1/4-20 x 1/2 L, E8 Torx)
76-1262	CONNECTOR - Field Coil to Soln., 12-24V (1/4 Dia. Hole)	84-1435	SCREW - D.E. Hsg. (5/16-18 x 7/8 L, T45 Torx)
76-1301	RETAINER - Plunger Spring (1-13/64 ID)	84-1502	SCREW - Pole Shoe (3/8-24 x 5/8 L, Phillips)
76-1302	RETAINER - Plunger Spring (13/32 ID)	84-1504	SCREW - Pole Shoe (3/8-24 x 11/16 L, T40 Torx)
76-1571	GROUND TERMINAL - Field Case	84-2409	HEX NUT - Plunger (5/16-24 x 1/2 F x 1/4 T, Nylon Lock)
76-1604	WIRE LEAD - C.E. Term. to Soln.	84-2503	HEX NUT - Batt., Motor Terms. (3/8-16 x 5/8 F x 1/4 T)
76-1605	C.E. TERMINAL ASSY.	84-2600-1	HEX NUT - C.E. Term. (1/2-13 x 3/4 F x 7/16 T)
76-1701	SPRING - Plunger	84-2602	HEX NUT - C.E. Term. (1/2-13 x 3/4 F x 5/16 T)
76-1809	STOP COLLAR	84-4311	CONICAL WASHER - Thru Bolt (#10 ID)
76-1810	RETAINING RING - Stop Collar	84-4401	LOCK WASHER - L.H. (1/4 ID, Split)
76-1825	PLUG - Oil Reservoir, D.E., L.H., C.E.	84-4600	LOCK WASHER - C.E. Term. (1/2 ID, Split)
76-1826	OIL WICK - D.E., L.H., C.E. (7/16 OD)	84-4613	THRUST WASHER - C.E. (9/16 ID x 1-3/16 OD, Steel)
76-1827	THERMOSTAT (w/ O-Ring)	84-4617	FLAT WASHER - C.E. Term. (1/2 ID)
76-1834	OIL WICK - C.E. (1/2 OD x 2-1/4 L)	84-4703	FLAT WASHER - Plunger (27/32 ID)
76-1844	INSPECTION PLUG - L.H.	84-4704	SPACER - L.H. (7/8 ID x .192 T)
76-1867	PLUG - Plugs Thermostat Hole in C.E. Frame when not used	84-5903	SPLIT ROLL PIN - Field Case (3/16 OD x 7/8 L)
79-1114	INSULATOR KIT - C.E. Term.	84-7708	BRAKE WASHER - L.H. (15/16 ID x 2-1/8 OD, Cork/Rubber)
79-1115	THERMOSTAT KIT	84-7708-1	BRAKE WASHER - L.H. (15/16 ID x 2-1/8 OD, Fiber)
79-1123	REPAIR KIT - 12V, Early Type Strs. w/ F.C. Term. thru C.E. Frame	84-8901	SNAP RING - Plunger, Shift Lever (.338 ID x .025 T, Ext.)
79-1124	REPAIR KIT - 24V, Early Type Strs. w/ Shunt Term. thru Fld. Case	84-8906	RETAINER - Thermostat (.6 ID x .060 T)
79-1125	THRU BOLT - C.E. Frame (10-32 x 2-1/8, Hex, incl. Seal & Washer)	84-8907	RETAINER - Shift Lever Shaft (.257 ID x 1/2 OD x .012 T)
79-1127	REPAIR KIT - 12V, Late Type Strs. w/ F.C. Term. thru Fld. Case	D54-337P	STARTER DRIVE (10-T, CW, 3-SPL, Ratchet Clutch Type, Accurate)
79-1128	REPAIR KIT - 24V, Late Type Strs. wo/ Shunt Term. thru Fld. Case	D54-338P	STARTER DRIVE (12-T, CW, 3-SPL, Ratchet Clutch Type, Accurate)
79-1131	INSULATOR KIT - Brush Holder		

79-1123 (12V, Early Type) →
79-1124 (24V, Early Type)
79-1127 (12V, Late Type)
79-1128 (24V, Late Type)

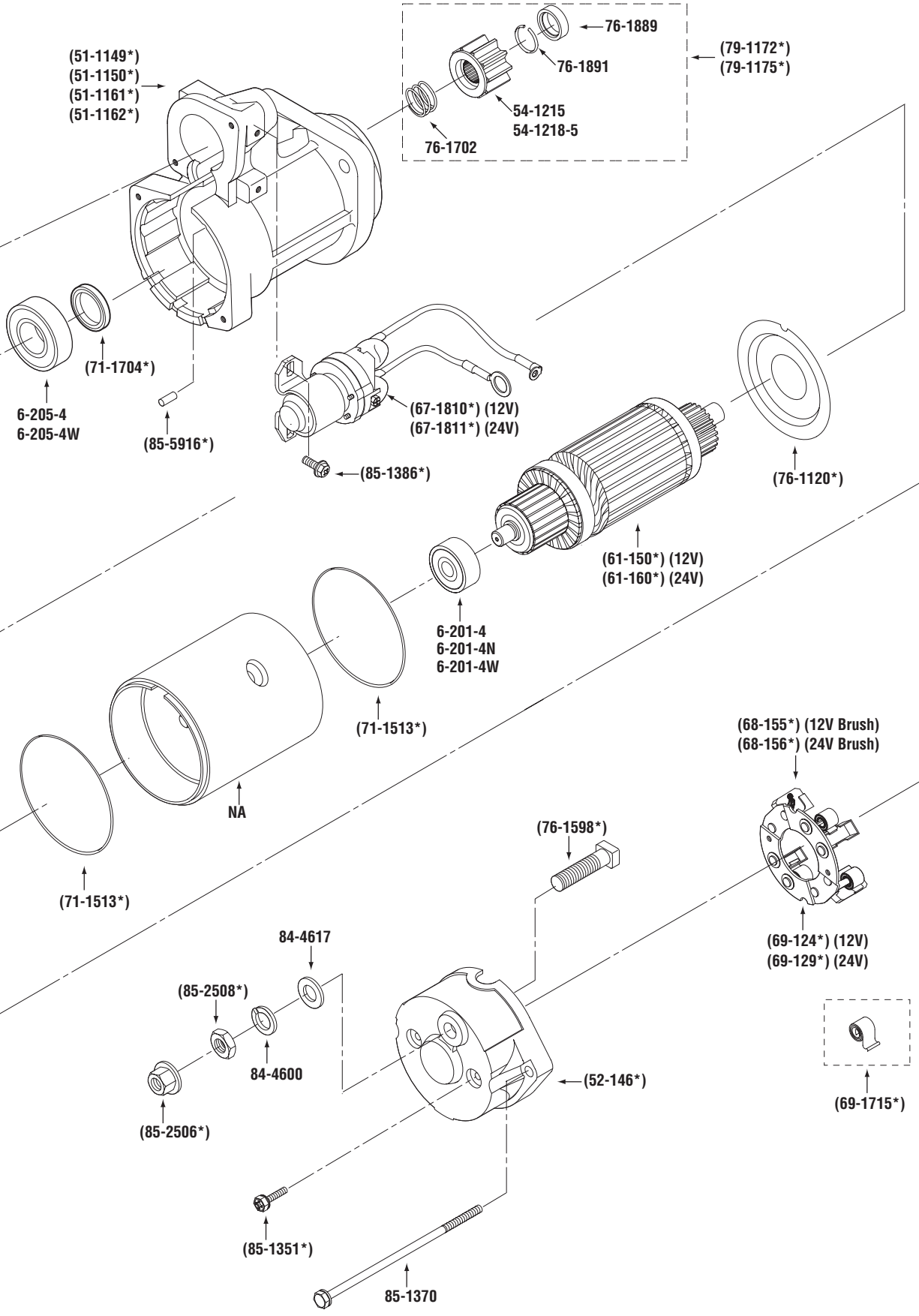


DELCO 38MT SERIES

DELCO 38MT SERIES



*Under Development



DELCO 38MT SERIES (cont'd.)

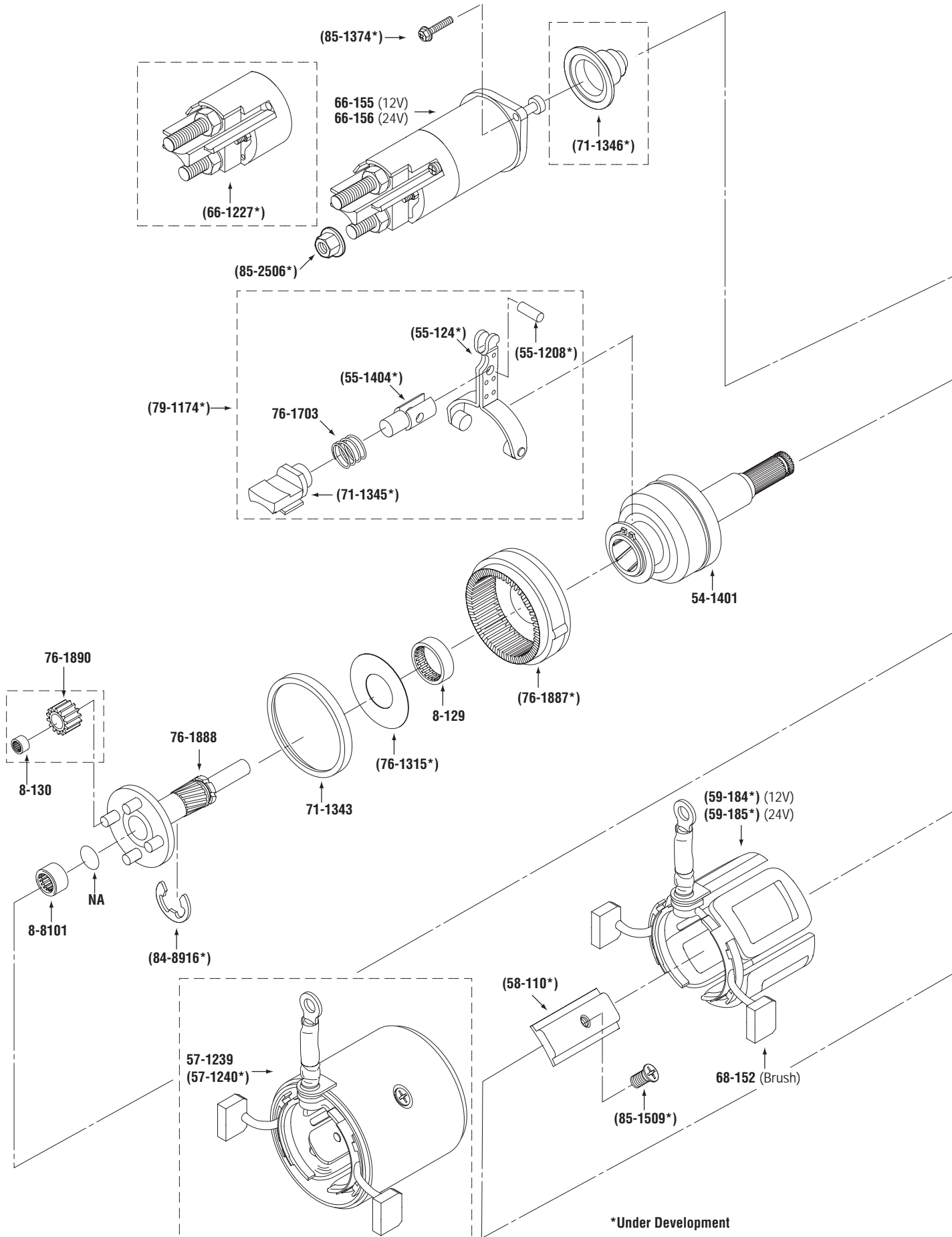
WAI No.	Description
6-201-4	BALL BEARING - Armature, C.E., Ref# 6201 (Dbl. Sealed)
6-201-4N	BALL BEARING - Armature, C.E., Ref# 6201 (Dbl. Sealed, NTN)
6-201-4W	BALL BEARING - Armature, C.E., Ref# 6201 (Dbl. Sealed, WBD)
6-205-4	BALL BEARING - D.E., Ref# 6205 (Dbl. Sealed)
6-205-4W	BALL BEARING - D.E., Ref# 6205 (Dbl. Sealed, WBD)
8-129	NEEDLE BEARING - Stationary Gear (30mm ID x 37.0mm OD x 11.9mm W)
8-130	NEEDLE BEARING - Planetary Gear (9mm ID x 13mm OD x 12mm W)
8-8101	NEEDLE BEARING - Planetary Shaft (15mm ID x 21mm OD x 12mm W)
51-1149*	D.E. HOUSING - Lester 6807
51-1150*	D.E. HOUSING - Lester 6808
51-1161*	D.E. HOUSING - Lester 6833
51-1162*	D.E. HOUSING - Lester 6832
52-146*	C.E. FRAME
54-1215	PINION GEAR (10-T, CW)
54-1218-5	PINION GEAR (12-T, CW)
54-1400	CLUTCH
55-123*	SHIFT LEVER
55-1208*	SHAFT - Shift Lever
55-1404*	SUPPORT - Shift Lever
58-112*	POLE SHOE
59-183*	FIELD COIL - 12V
59-188*	FIELD COIL - 24V
59-189*	FIELD COIL - 24V
61-150*	ARMATURE - 12V
61-160*	ARMATURE - 24V
66-154*	SOLENOID - 12V
66-160*	SOLENOID - 24V
66-1319*	SOLENOID CAP ASSY.
67-1810*	RELAY SWITCH - 12V
67-1811*	RELAY SWITCH - 24V

*Under Development

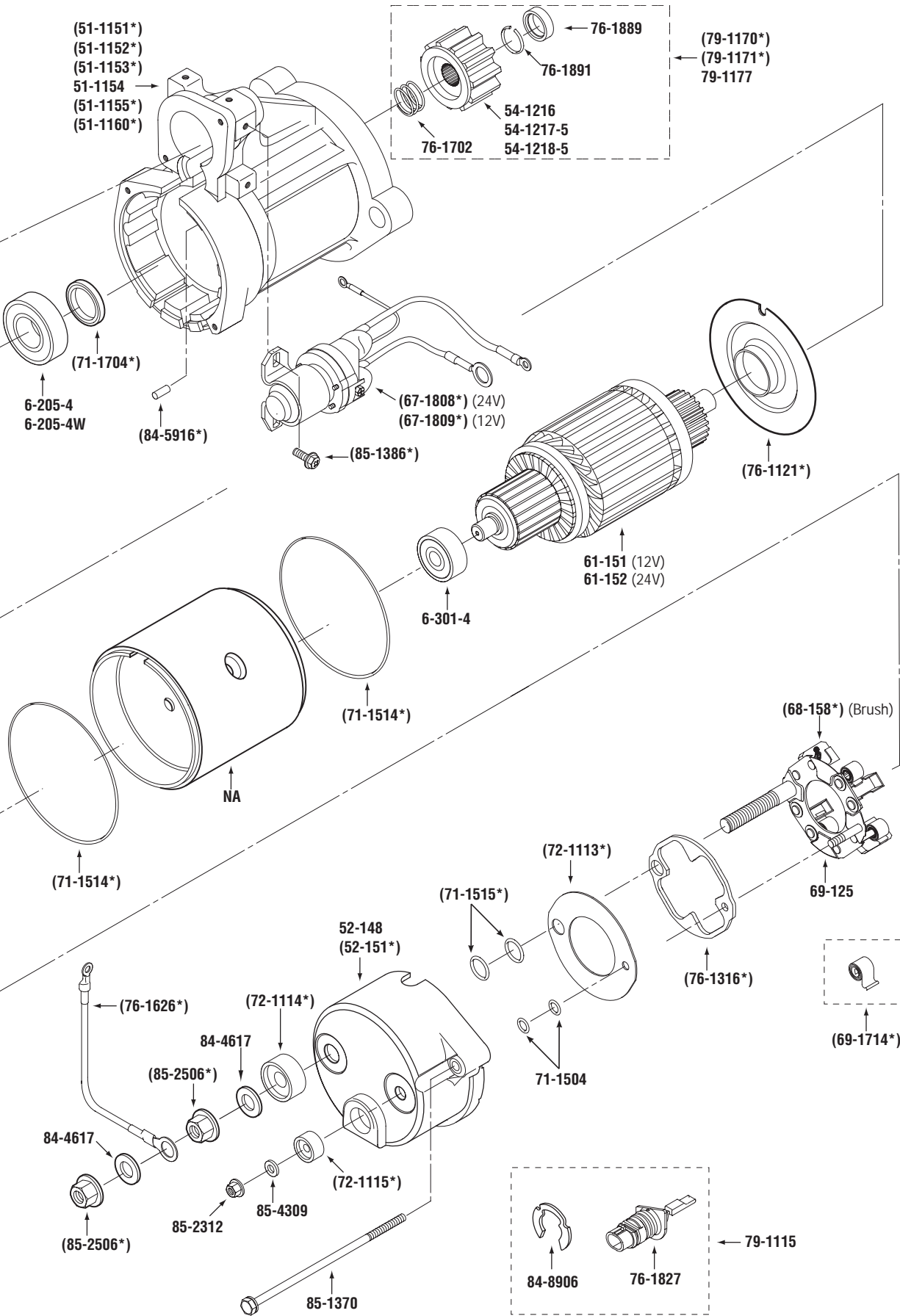
WAI No.	Description
68-151*	BRUSH - 12V
68-155*	BRUSH - 12V
68-156*	BRUSH - 24V
68-157*	BRUSH - 24V
69-124*	BRUSH HOLDER ASSY. - 12V
69-129*	BRUSH HOLDER ASSY. - 24V
69-1715*	BRUSH SPRING
71-1342*	SEAL - Stationary Gear
71-1346*	BOOT - Solenoid Plunger
71-1348*	PLUG - Shift Lever
71-1513*	O-RING - Field Case
71-1704*	SEAL - D.E. Housing
76-1120*	COVER - Stationary Gear
76-1315*	SPACER - Stationary Gear
76-1598*	GROUND TERMINAL - C.E. Frame
76-1702	SPRING - Pinion Gear
76-1703	SPRING - Shift Lever Return
76-1886*	STATIONARY GEAR
76-1888	PLANETARY SHAFT
76-1889	STOP COLLAR
76-1890	PLANETARY GEAR (14-T, 24mm Gear OD)
76-1891	RETAINING RING
79-1172*	PINION KIT - 54-1218-5 Pinion Gear (12-T, CW)
79-1173*	SHIFT LEVER KIT
79-1175*	PINION KIT - 54-1215 Pinion Gear (10-T, CW)
84-4600	LOCK WASHER - C.E. Term. (1/2 ID, Split)
84-4617	FLAT WASHER - C.E. Term. (1/2 ID)
84-8916*	RETAINER - Planetary Shaft
85-1351	SCREW - Brush Holder (M5 x 0.8 x 22mm L)
85-1370	THRU BOLT (M6 x 1.0 x 155mm L)
85-1374*	SCREW - Solenoid (M6 x 1.0 x 24mm L)
85-1386*	SCREW - Relay Switch (M6 x 1.0 x 12mm L)
85-1508*	SCREW - Pole Shoe (M10 x 1.5 x 13mm)
85-2506*	HEX NUT - C.E. Term., Solenoid (M12 x 1.75 x 19mm F)
85-2508	HEX NUT - C.E. Term. (M12 x 1.75 x 19mm F)
85-5916*	PIN - D.E. Hsg.

DELCO 39MT SERIES

DELCO 39MT SERIES



*Under Development



DELCO 39MT SERIES (cont'd.)

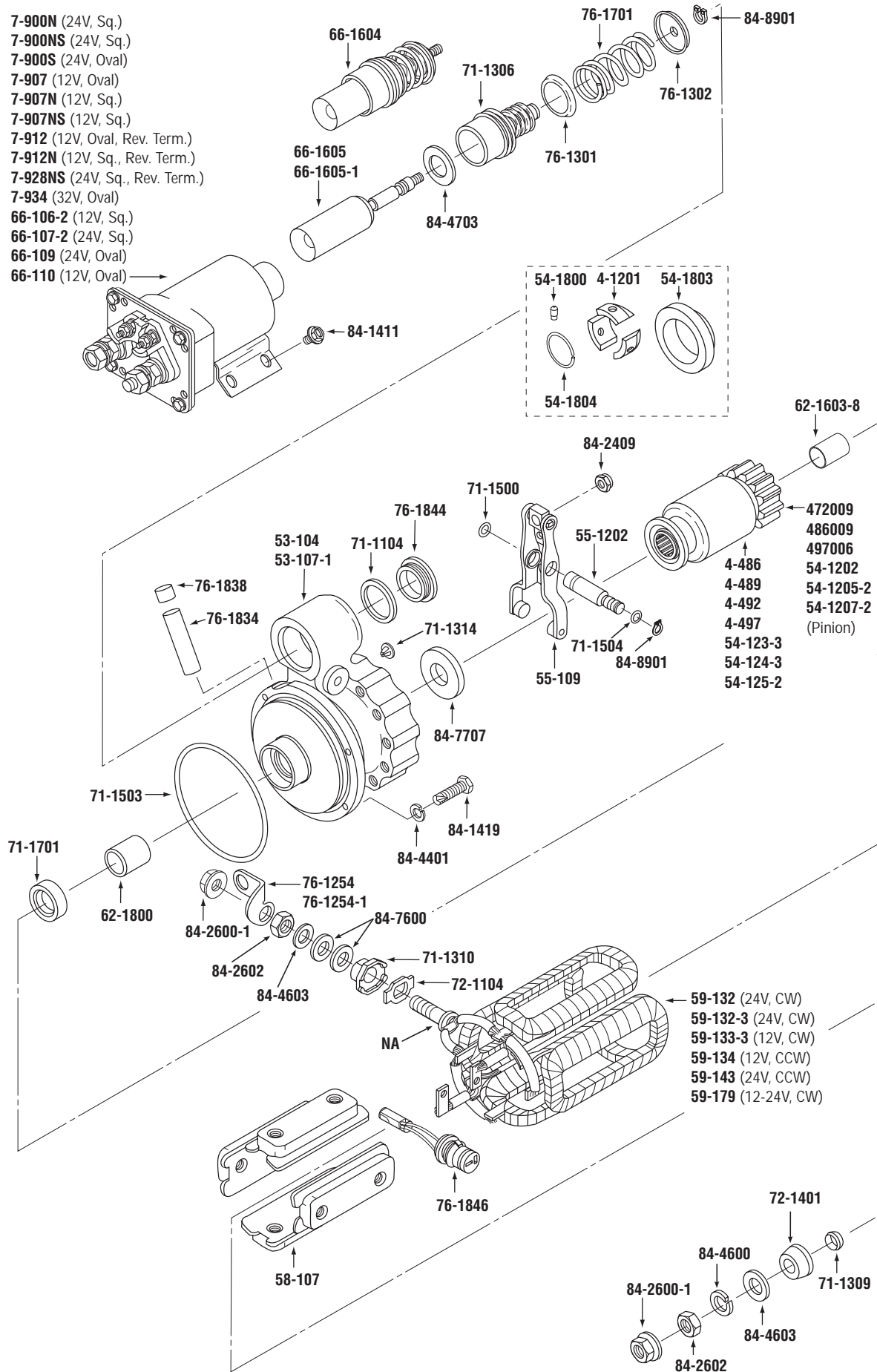
WAI No.	Description	WAI No.	Description
6-205-4	BALL BEARING - D.E. (Dbl. Sealed)	69-1714*	BRUSH SPRING
6-205-4W	BALL BEARING - D.E. (Dbl. Sealed, WBD)	71-1343	SEAL - Stationary Gear
6-301-4	BALL BEARING - C.E. (Dbl. Sealed)	71-1345*	PLUG - Shift Lever
8-129	NEEDLE BEARING - Stationary Gear (30mm ID x 37.0mm OD x 11.9mm W)	71-1346*	BOOT - Solenoid Plunger
8-130	NEEDLE BEARING - Planetary Gear (9mm ID x 13mm OD x 12mm W)	71-1504	O-RING - C.E. Term.
8-8101	NEEDLE BEARING - Planetary Shaft (15mm ID x 21mm OD x 12mm W)	71-1514*	O-RING - Field Case
51-1151*	D.E. HOUSING - Lester 6805, 6818	71-1515*	O-RING - C.E. Frame
51-1152*	D.E. HOUSING - Lester 6804, 6806, 6819	71-1704*	SEAL - D.E. Housing
51-1153*	D.E. HOUSING - Lester 6853	72-1113*	INSULATOR - Brush Holder
51-1154	D.E. HOUSING - Lester 6813	72-1114*	INSULATOR - C.E. Frame
51-1155*	D.E. HOUSING - Lester 6802, 6812	72-1115*	INSULATOR - C.E. Frame
51-1160*	D.E. HOUSING - Lester 6814, 6822	76-1121*	COVER - Stationary Gear
52-148	C.E. FRAME	76-1315*	SPACER - Stationary Gear
52-151*	C.E. FRAME	76-1316*	SPACER - C.E. Frame
54-1216	PINION GEAR (12-T, CW)	76-1626*	WIRE LEAD - Grd. Term. to Soln.
54-1217-5	PINION GEAR (11-T, CW)	76-1702	SPRING - Pinion Gear
54-1218-5	PINION GEAR (12-T, CW)	76-1703	SPRING - Shift Lever Return
54-1401	CLUTCH	76-1827	THERMOSTAT (w/ O-Ring)
55-124*	SHIFT LEVER	76-1887*	STATIONARY GEAR
55-1208*	SHAFT - Shift Lever	76-1888	PLANETARY SHAFT
55-1404*	SUPPORT - Shift Lever	76-1889	STOP COLLAR
57-1239	FIELD CASE ASSY. - 12V	76-1890	PLANETARY GEAR (14-T, 24mm Gear OD)
57-1240*	FIELD CASE ASSY. - 12V	76-1891	RETAINING RING
58-110*	POLE SHOE	79-1115	THERMOSTAT KIT
59-184*	FIELD COIL - 12V	79-1170*	PINION KIT - 54-1218-5 Pinion Gear (12-T, CW)
59-185*	FIELD COIL - 24V	79-1171*	PINION KIT - 54-1216 Pinion Gear (12-T, CW)
61-151	ARMATURE - 12V	79-1174*	SHIFT LEVER KIT
61-152	ARMATURE - 24V	79-1177	PINION KIT - 54-1217-5 Pinion Gear (11-T, CW)
66-155	SOLENOID - 12V	84-4617	FLAT WASHER - C.E. Term. (1/2 ID)
66-156	SOLENOID - 24V	84-5916*	PIN - D.E. Hsg.
66-1227*	SOLENOID CAP ASSY.	84-8906	RETAINER - Thermostat (.6 ID x .060 T)
67-1808*	RELAY SWITCH - 24V	84-8916*	RETAINER - Planetary Shaft
67-1809*	RELAY SWITCH - 12V	85-1370	THRU BOLT (M6 x 1.0 x 155mm L)
68-152	BRUSH - fld., 12-24V	85-1374*	SCREW - Solenoid (M6 x 1.0 x 24mm L)
68-158*	BRUSH - Grd., 12-24V	85-1386*	SCREW - Relay Switch (M6 x 1.0 x 12mm L)
69-125	BRUSH HOLDER ASSY. - 12-24V	85-1509*	SCREW - Pole Shoe (M10 x 1.5 x 11mm)
		85-2312	HEX NUT - C.E. Term. (M6 x 1.0 x 10mm F)
		85-2506*	HEX NUT - C.E. Term., Solenoid (M12 x 1.75 x 19mm F)
		85-4309	FLAT WASHER - C.E. Term. (6mm ID)

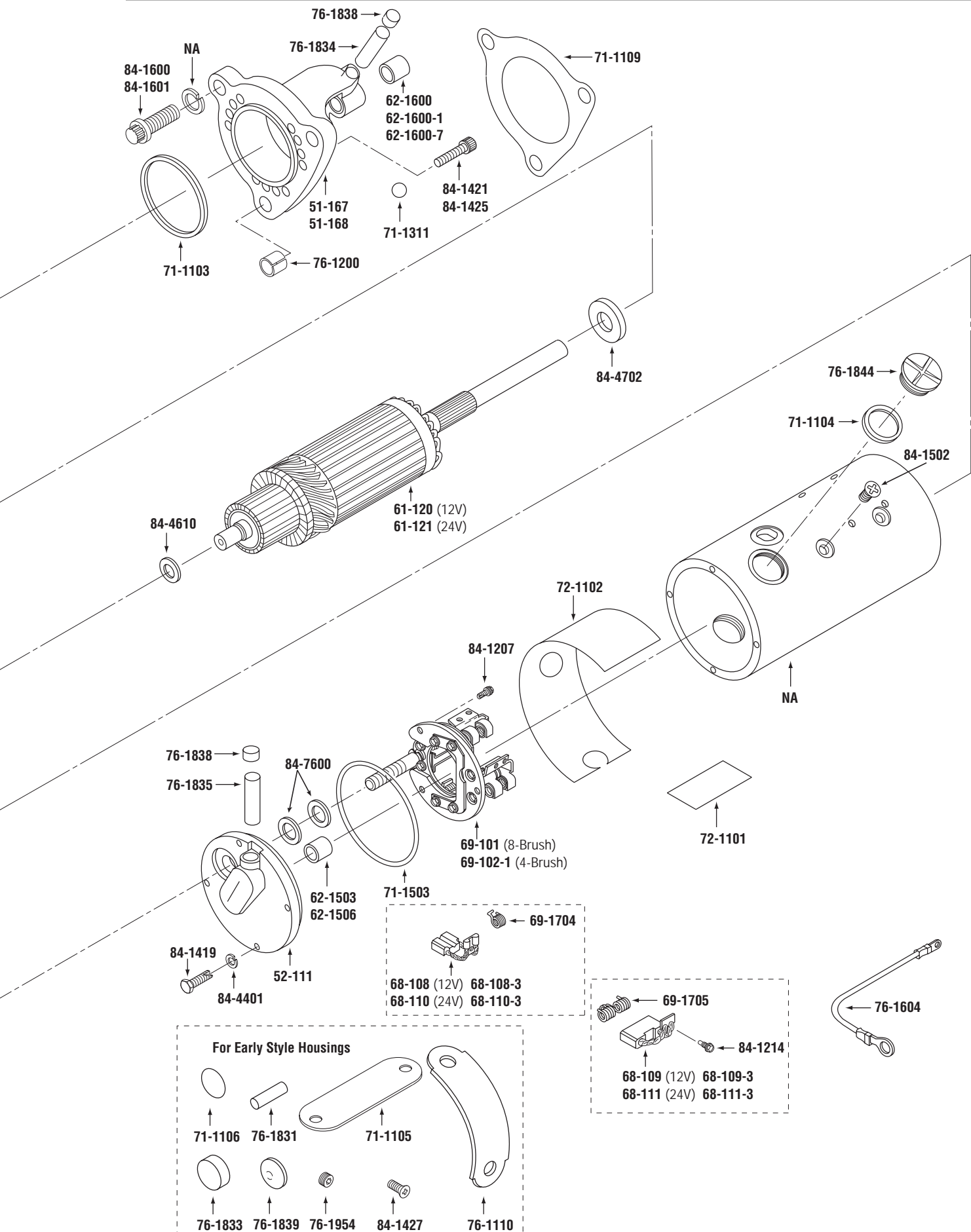
*Under Development

DELCO 40MT SERIES

DELCO 40MT SERIES

- 7-900N (24V, Sq.)
- 7-900NS (24V, Sq.)
- 7-900S (24V, Oval)
- 7-907 (12V, Oval)
- 7-907N (12V, Sq.)
- 7-907NS (12V, Sq.)
- 7-912 (12V, Oval, Rev. Term.)
- 7-912N (12V, Sq., Rev. Term.)
- 7-928NS (24V, Sq., Rev. Term.)
- 7-934 (32V, Oval)
- 66-106-2 (12V, Sq.)
- 66-107-2 (24V, Sq.)
- 66-109 (24V, Oval)
- 66-110 (12V, Oval)





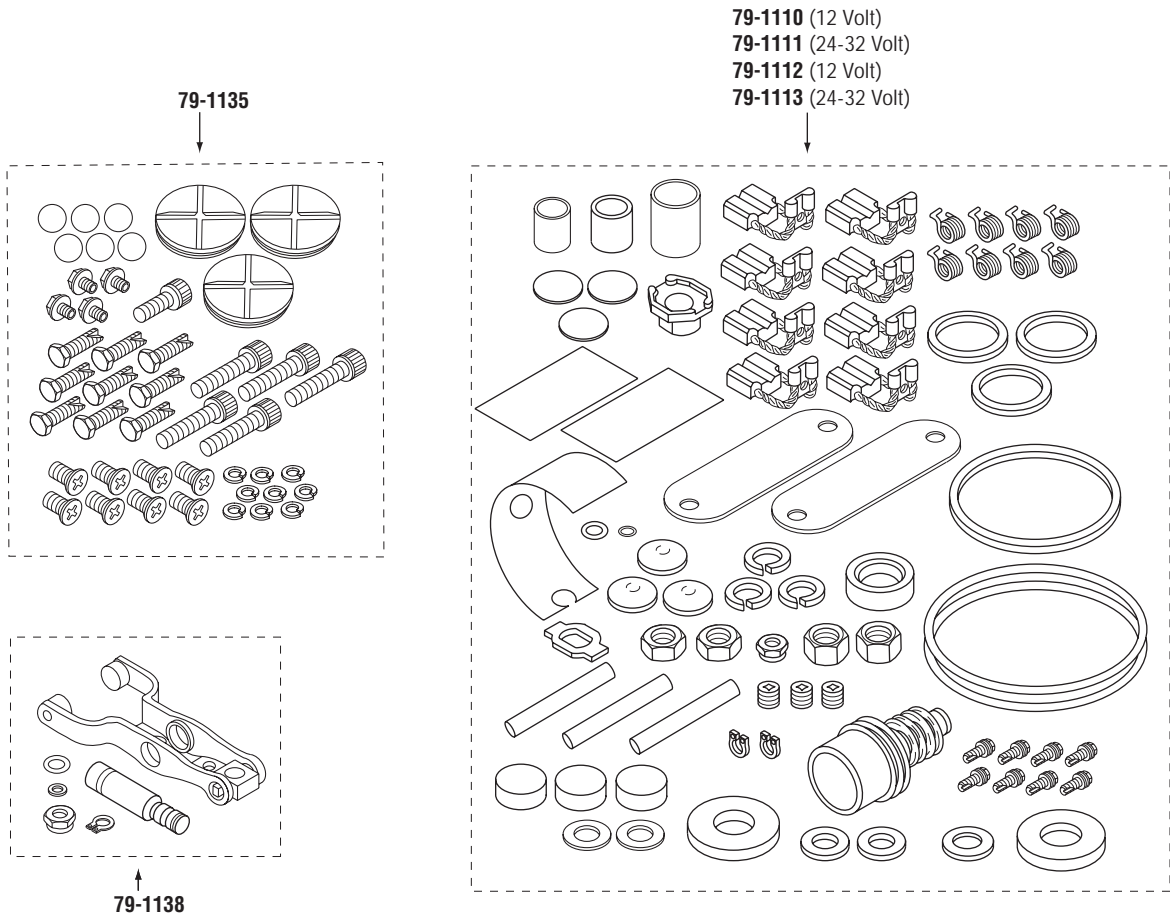
DELCO 40MT SERIES (cont'd.)

WAI No.	Description	WAI No.	Description
4-486	STARTER DRIVE (11-T, CW, 19-SPL,, Accurate AccuSure)	66-110	SOLENOID - 12V (Oval Plate, Copper Contacts)
4-489	STARTER DRIVE (12-T, CW, 19-SPL, Accurate AccuSure)	66-1604	PLUNGER ASSEMBLY (w/ 66-1605 Plunger)
4-492	STARTER DRIVE (13-T, CW, 19-SPL, Accurate AccuSure)	66-1605	PLUNGER - Solenoid (3/8 Dia. Mtg. Shoulder)
4-497	STARTER DRIVE (11-T, CCW, 19-SPL, Accurate AccuSure)	66-1605-1	PLUNGER - Solenoid (3/8 Dia. Mtg. Shoulder)
4-1201	CENTRIFUGAL WEIGHT - Positive Engagement Drives	68-108	BRUSH - 12V, Ref# R-69, 8-Req.
7-900N	SOLENOID - 24V (Square Plate, Chrome/Copper Contacts, Accurate)	68-108-3	BRUSH - 12V, Ref# R-69, 8-Req.
7-900NS	SOLENOID - 24V (Square Plate, Silver Contacts, Accurate)	68-109	BRUSH - 12V, Ref# R-122, 4-Req.
7-900S	SOLENOID - 24V (Oval Plate, Silver Contacts, Accurate)	68-109-3	BRUSH - 12V, Ref# R-122, 4-Req.
7-907	SOLENOID - 12V (Oval Plate, Copper Contacts, Accurate)	68-110	BRUSH - 24V, Ref# R-70, 8-Req.
7-907N	SOLENOID - 12V (Square Plate, Copper Contacts, Accurate)	68-110-3	BRUSH - 24V, Ref# R-70, 8-Req.
7-907NS	SOLENOID - 12V (Square Plate, Silver Contacts, Accurate)	68-111	BRUSH - 24-32V, Ref# R-122H, 4-Required
7-912	SOLENOID - 12V (Oval Plate, Copper Contacts, Reverse Term., Accurate)	68-111-3	BRUSH - 24-32V, Ref# R-122H, 4-Required
7-912N	SOLENOID - 12V (Square Plate, Copper Contacts, Reverse Term., Accurate)	69-101	BRUSH HOLDER ASSY. (wo/ 8-Brushes)
7-928NS	SOLENOID - 24V (Square Plate, Silver Contacts, Reverse Term., Accurate)	69-102-1	BRUSH HOLDER ASSY. (wo/ 4-Brushes)
7-934	SOLENOID - 32V (Oval Plate, Silver Contacts, Accurate)	69-1704	BRUSH SPRING - 8-Req.
51-167	D.E. HOUSING (Cast Iron, 5/8 3-Ear Flg. Mtg.)	69-1705	BRUSH SPRING - 6-Req.
51-168	D.E. HOUSING (Cast Iron, 5/8 3-Ear Flg. Mtg.)	71-1103	GASKET - D.E. Hsg. to L.H. (3 ID x 3-3/8 OD)
52-111	C.E. FRAME	71-1104	GASKET - Inspection Plug L.H, Field Case
53-104	LEVER HOUSING	71-1105	GASKET - Brush Cover Plate
53-107-1	LEVER HOUSING	71-1106	GASKET - Expansion Plug Early Style Hsgs.
54-123-3	STARTER DRIVE (11-T, CW, 19-SPL)	71-1109	GASKET - Wet Clutch Str. Mounting
54-124-3	STARTER DRIVE (12-T, CW, 19-SPL)	71-1306	BOOT - Solenoid Plunger
54-125-2	STARTER DRIVE (11-T, CCW, 19-SPL)	71-1309	INSULATOR - C.E. Term. (Rubber)
54-1202	PINION GEAR - Str. Drive (11-T, CW, 15-Ratchet)	71-1310	GROMMET - Field Coil Term. (1/2 ID, Rubber)
54-1205-2	PINION GEAR - Str. Drive (12-T, CW, 17-Ratchet)	71-1311	PLUG - D.E. Mtg. Holes
54-1207-2	PINION GEAR - Str. Drive (11-T, CCW, 15-Ratchet)	71-1314	PLUG - Lever Housing
54-1800	PIN - Positive Engagement Drives	71-1500	O-RING - Shift Lever (3/8 ID x 1/2 OD)
54-1803	CUSHION - Positive Engagement Drives	71-1503	O-RING - L.H., C.E. Frame
54-1804	RETAINING RING - Positive Engagement Drives	71-1504	O-RING - Shift Lever (1/4 ID x 3/8 OD x 1/16 W)
55-109	SHIFT LEVER (3/8 Dia. Plunger Rod Hole)	71-1701	OIL SEAL - L.H. (49/64 ID x 3/8 W)
55-1202	SHAFT - Shift Lever (2-9/32 L)	72-1101	INSULATOR - Field Coil (1-1/2 W x 3 L)
58-107	POLE SHOE	72-1102	INSULATOR - Field Coil (3-1/2 W x 12-1/4 L)
59-132	FIELD COIL - 24V, CW Rotation	72-1104	INSULATOR - Field Coil Term. (1/2 ID, Fiber)
59-132-3	FIELD COIL - 24V, CW Rotation	72-1401	INSULATOR - Term. Stud (1/2 ID, Bakelite)
59-133-3	FIELD COIL - 12V, CW Rotation	76-1110	BRUSH COVER PLATE - Early Style Hsgs.
59-134	FIELD COIL - 12V, CCW Rotation	76-1200	REDUCING BUSHING (Reduces 5/8 Dia. Mtg. Hole to 1/2 Dia.)
59-143	FIELD COIL - 24V, CCW Rotation	76-1254	CONNECTOR - Field Coil to Soln. (1/2 Dia. Hole)
59-179	FIELD COIL - 12-24V, CW Rotation	76-1254-1	CONNECTOR - Field Coil to Soln. (1/2 Dia. Hole, Heavy Duty)
61-120	ARMATURE - 12V (Ref# 1866)	76-1301	RETAINER - Plunger Spring (1-13/64 ID)
61-121	ARMATURE - 24-32V (Ref# 2023)	76-1302	RETAINER - Plunger Spring (13/32 ID)
62-1503	BUSHING - C.E. (Prefit, .5685 ID x .7555 OD x .970 L)	76-1604	WIRE LEAD - C.E. Term. to Soln.
62-1506	BUSHING - C.E. (.5670 ID x .7750 OD x 1.0 L)	76-1701	SPRING - Plunger
62-1600	BUSHING - D.E. (Prefit, .6290 ID x .7555 OD x .865 L)	76-1831	OIL WICK - Early Style Hsgs. (5/16 OD x 2-3/8 L)
62-1600-1	BUSHING - D.E. (1X-Undersize, .6265 ID x .7555 OD x .865 L)	76-1833	OIL WICK - Early Style Hsgs. (15/16 OD x 5/16 T)
62-1600-7	REPAIR BUSHING - D.E. (Oversize, .6255 ID x .8630 OD x .965 L)	76-1834	OIL WICK - D.E., L.H. (1/2 OD x 2-1/4 L)
62-1603-8	BUSHING - Drive (Split Type, .6290 ID x .6870 OD x .986 L)	76-1835	OIL WICK - C.E. (1/2 OD x 1-15/16 L)
62-1800	BUSHING - L.H. (Prefit, .8380 ID x .9605 OD x 1.250 L)	76-1838	PLUG - Oil Reservoir, D.E., L.H., C.E.
66-106-2	SOLENOID - 12V (Square Plate, Copper Contacts)	76-1839	EXPANSION PLUG - Early Style Hsgs. (1-1/32 Dia.)
66-107-2	SOLENOID - 24V (Square Plate, Silver Contacts)	76-1844	INSPECTION PLUG - L.H., Field Case
66-109	SOLENOID - 24V (Oval Plate, Silver Contacts)	76-1846	THERMOSTAT
		76-1954	PIPE PLUG - Oil Reservoir, Early Style Hsgs.
		79-1110	REPAIR KIT - 12V Strs. (8-Brush Design)
		79-1111	REPAIR KIT - 24-32V Strs. (8-Brush Design)
		79-1112	REPAIR KIT - 12V Strs. (4-Brush Design)
		79-1113	REPAIR KIT - 24-32V Strs. (4-Brush Design)
		79-1135	HARDWARE KIT
		79-1138	SHIFT LEVER KIT
		84-1207	SCREW - Brush Holder (8-32 x 1/2 L, Hex, Thd. Cut.)
		84-1214	SCREW - Brush (8-32 x 1/2 L, Slotted Hex)
		84-1411	SCREW - Soln. Mtg. (1/4-20 x 5/16 L, Hex)
		84-1419	SCREW - C.E., L.H. (1/4-28 x 1 L, Hex, Thd. Cut.)
		84-1421	SCREW - D.E. Hsg. (5/16-18 x 1-1/2 L, Socket Head)

DELCO 40MT SERIES (cont'd.)

WAI No.	Description
84-1425	SCREW - D.E. Hsg. (5/16-18 x 7/8 L, Socket Head)
84-1427	SCREW - Brush Cover (1/4-20 x 1/2 L, Phillips)
84-1502	SCREW - Pole Shoe (3/8-24 x 5/8 L, Phillips)
84-1600	BOLT - D.E. Mtg. (5/8-11 x 1-3/4 L, 12-Point Head)
84-1601	BOLT - D.E. Mtg. (5/8-11 x 2-1/2 L, 12-Point Head)
84-2409	HEX NUT - Plunger (5/16-24 x 1/2 F x 1/4 T, Nylon Lock)
84-2600-1	HEX NUT - Field Coil, C.E. Term. (1/2-13 x 3/4 F x 7/16 T)
84-2602	HEX NUT - Field Coil, C.E. Term. (1/2-13 x 3/4 F x 5/16 T)
84-4401	LOCK WASHER - C.E., L.H. (1/4 ID, Split)
84-4600	LOCK WASHER - C.E. Term. (1/2 ID, Split)
84-4603	FLAT WASHER - C.E. Term., Field Coil (1/2 ID)
84-4610	THRUST WASHER - C.E. (9/16 ID x 1 OD, Steel)

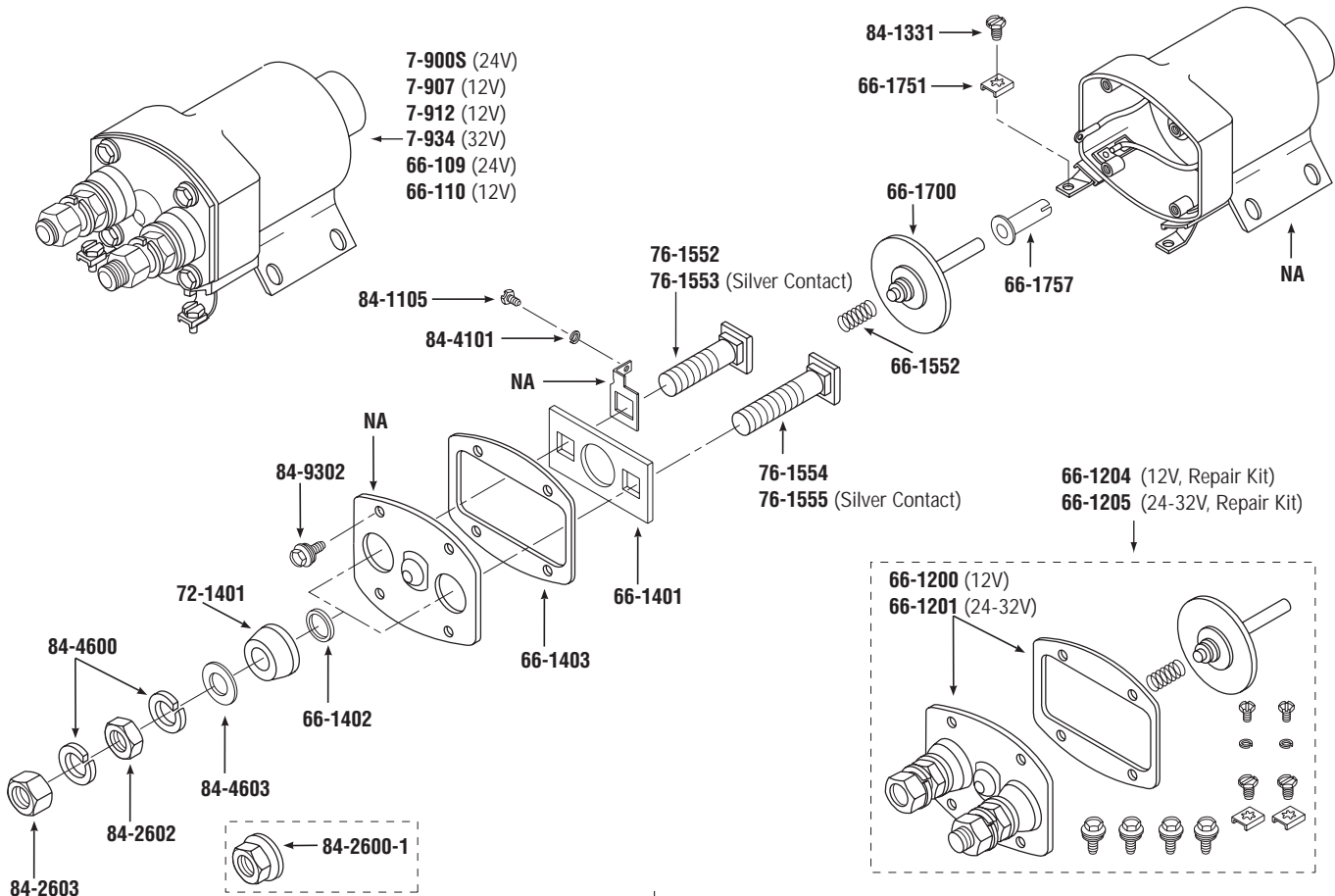
WAI No.	Description
84-4702	SPACER - L.H. (27/32 ID x .190 T)
84-4703	FLAT WASHER - Plunger (27/32 ID)
84-7600	INSULATING WASHER - C.E. Term., Field Coil (1/2 ID)
84-7707	BRAKE WASHER - L.H. (13/16 ID x 1-7/8 OD, Fiber)
84-8901	SNAP RING - Plunger, Shift Lever (.338 ID x .025 T, Ext.)
472009	PINION GEAR - Str. Drive (12-T, CW, 15-Ratchet, Accurate)
486009	PINION GEAR - Str. Drive (11-T, CW, 15-Ratchet, Accurate)
497006	PINION GEAR - Str. Drive (11-T, CCW, 15-Ratchet, Accurate)



DELCO 40MT SERIES

DELCO 40-50MT SOLENOID, OVAL PLATE

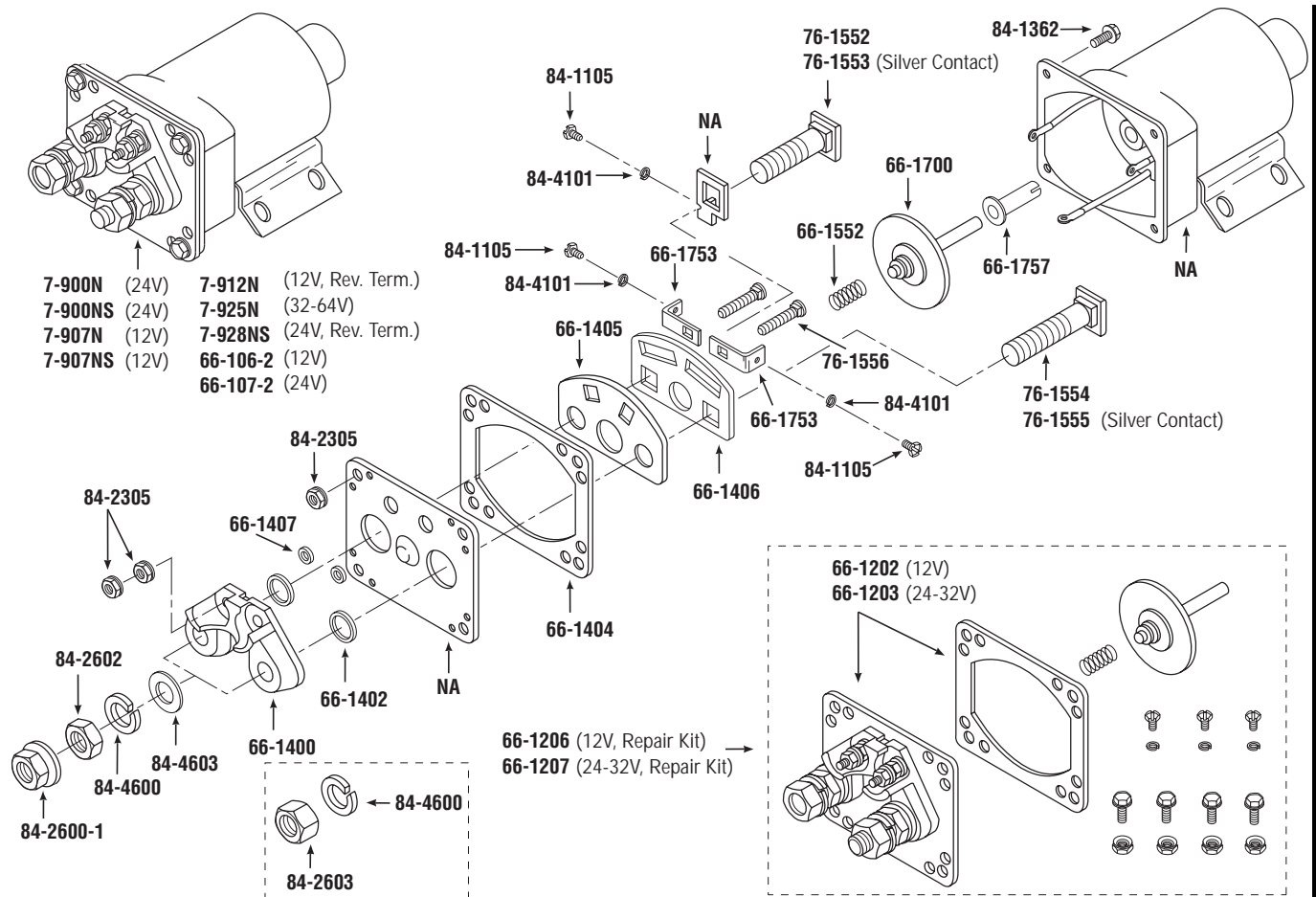
DELCO 40MT SOLENOID, OVAL PLATE



WAI No.	Description
7-900S	SOLENOID - 24V (Oval Plate, Silver Contacts, Accurate)
7-907	SOLENOID - 12V (Oval Plate, Copper Contacts, Accurate)
7-912	SOLENOID - 12V (Oval Plate, Copper Contacts, Reverse Term., Accurate)
7-934	SOLENOID - 32V (Oval Plate, Silver Contacts, Accurate)
66-109	SOLENOID - 24V (Oval Plate, Silver Contacts)
66-110	SOLENOID - 12V (Oval Plate, Copper Contacts)
66-1200	TERMINAL PLATE ASSY. - 12V (Copper Contacts)
66-1201	TERMINAL PLATE ASSY. - 24-32V (Silver Contacts)
66-1204	SOLENOID REPAIR KIT - 12V (Copper Contacts)
66-1205	SOLENOID REPAIR KIT - 24-32V (Silver Contacts)
66-1401	INSULATOR - Term. Plate
66-1402	SEAL - Batt., Motor Terms. (1/2 ID)
66-1403	GASKET - Term. Plate
66-1552	RETURN SPRING - Movable Contact
66-1700	MOVABLE CONTACT ASSY.
66-1751	CLAMP - Grd., Switch Terms.
66-1757	NYLON BUSHING - Plunger Rod

WAI No.	Description
72-1401	INSULATOR - Batt., Motor Terms. (1/2 ID, Bakelite)
76-1552	STATIONARY CONTACT - Motor (1/2-13 x 2 L, Copper Contact)
76-1553	STATIONARY CONTACT - Motor (1/2-13 x 2 L, Silver Contact)
76-1554	STATIONARY CONTACT - Battery (1/2-13 x 2-3/8 L, Copper Contact)
76-1555	STATIONARY CONTACT - Battery (1/2-13 x 2-3/8 L, Silver Contact)
84-1105	SCREW - Coil Lead (6-32 x 1/4 L, Slotted Hex, Thd. Cut.)
84-1331	SCREW - Terminal Clamp (10-32 x 3/8 L, Slotted Hex)
84-2600-1	HEX NUT - Batt., Motor Terms. (1/2-13 x 3/4 F x 7/16 T)
84-2602	HEX NUT - Batt., Motor Terms. (1/2-13 x 3/4 F x 5/16 T)
84-2603	HEX NUT - Batt., Motor Terms. (1/2-13 x 3/4 F x 7/16 T)
84-4101	LOCK WASHER - Coil Lead (#6 ID, Split)
84-4600	LOCK WASHER - Batt., Motor Terms. (1/2 ID, Split)
84-4603	FLAT WASHER - Batt., Motor Terms. (1/2 ID)
84-9302	SCREW - Term. Plate (10-32 x 3/4 L, Hex)

DELCO 40-50MT SOLENOID, SQUARE PLATE



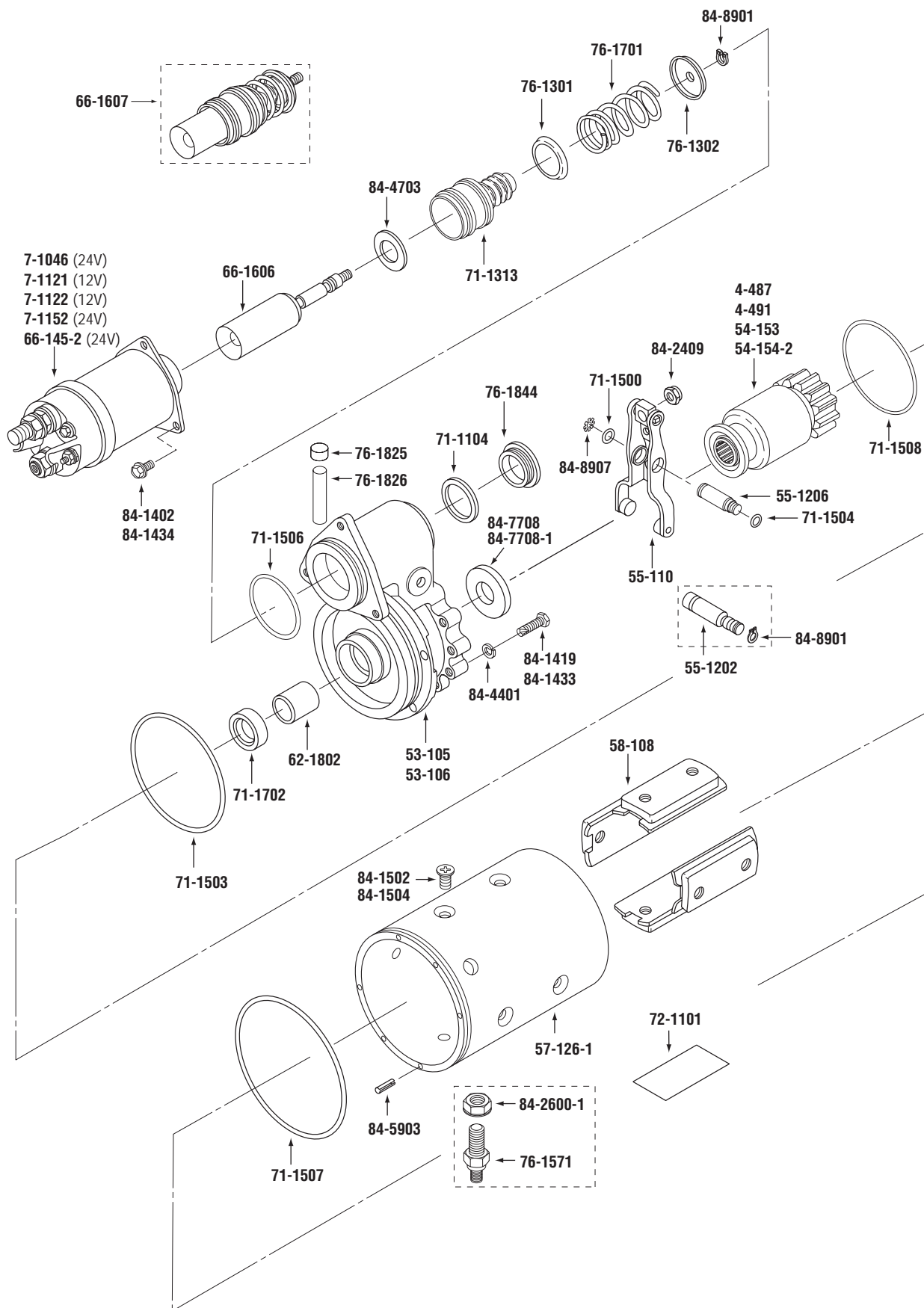
WAI No.	Description
7-900N	SOLENOID - 24V (Square Plate, Chrome/Copper Contacts, Accurate)
7-900NS	SOLENOID - 24V (Square Plate, Silver Contacts, Accurate)
7-907N	SOLENOID - 12V (Square Plate, Copper Contacts, Accurate)
7-907NS	SOLENOID - 12V (Square Plate, Silver Contacts, Accurate)
7-912N	SOLENOID - 12V (Square Plate, Copper Contacts, Reverse Term., Accurate)
7-925N	SOLENOID - 32-64V (Square Plate, Silver Contacts, Accurate)
7-928NS	SOLENOID - 24V (Square Plate, Silver Contacts, Reverse Term., Accurate)
66-106-2	SOLENOID - 12V (Square Plate, Copper Contacts)
66-107-2	SOLENOID - 24V (Square Plate, Silver Contacts)
66-1202	TERMINAL PLATE ASSY. - 12V (Copper Contacts)
66-1203	TERMINAL PLATE ASSY. - 24-32V (Silver Contacts)
66-1206	SOLENOID REPAIR KIT - 12V (Copper Contacts)
66-1207	SOLENOID REPAIR KIT - 24-32V (Silver Contacts)
66-1400	INSULATOR - Batt., Motor Terms.
66-1402	SEAL - Batt., Motor Terms. (1/2 ID)
66-1404	GASKET - Term. Plate (Rubber)
66-1405	INSULATOR - Term. Plate
66-1406	INSULATOR - Term. Plate
66-1407	SEAL - Grd., Switch Terms. (No. 10 ID)

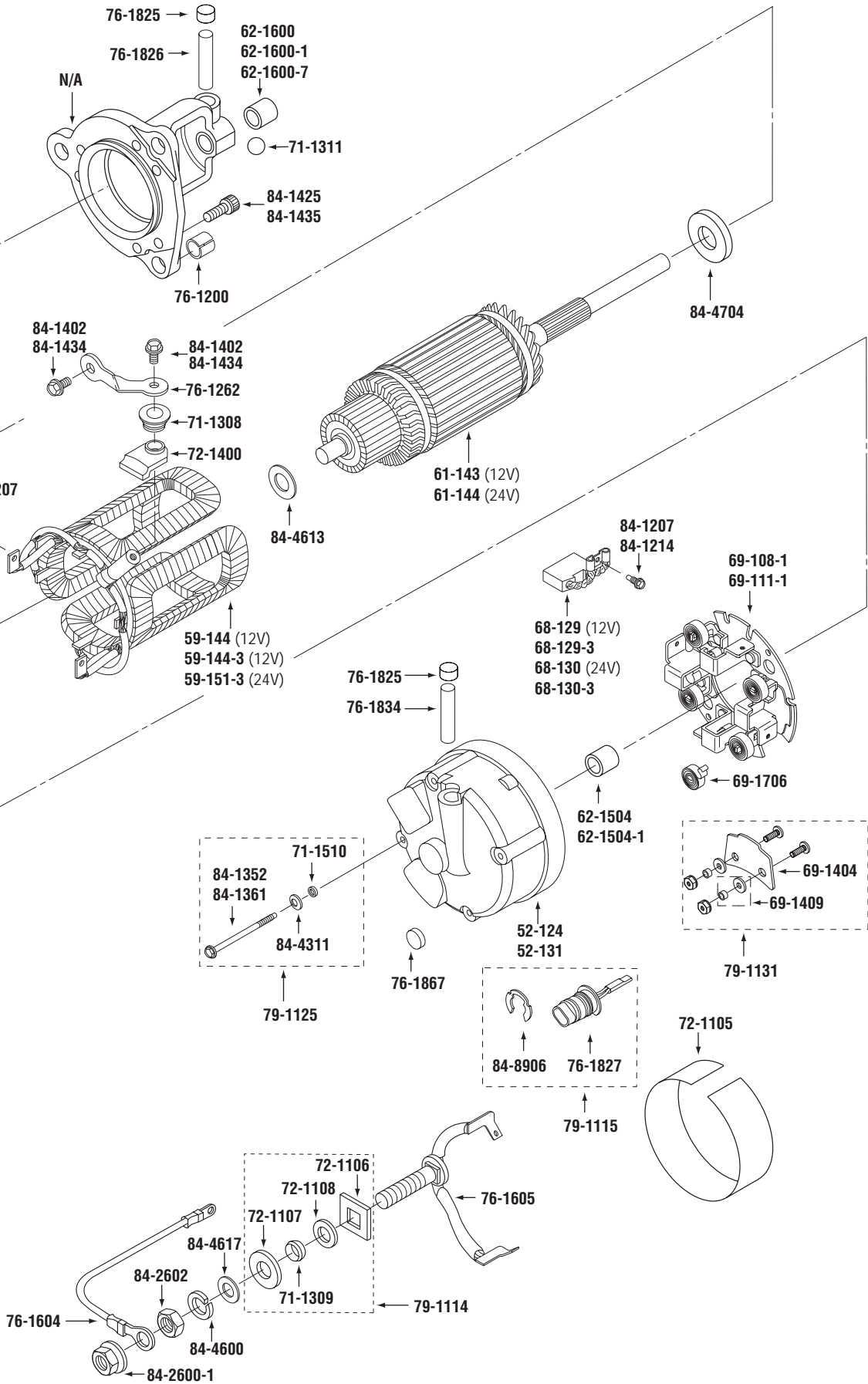
WAI No.	Description
66-1552	RETURN SPRING - Movable Contact
66-1700	MOVABLE CONTACT ASSY.
66-1753	TERMINAL STRAP - Grd., Switch Terms.
66-1757	NYLON BUSHING - Plunger Rod
76-1552	STATIONARY CONTACT - Motor (1/2-13 x 2 L, Copper Contact)
76-1553	STATIONARY CONTACT - Motor (1/2-13 x 2 L, Silver Contact)
76-1554	STATIONARY CONTACT - Battery (1/2-13 x 2-3/8 L, Copper Contact)
76-1555	STATIONARY CONTACT - Battery (1/2-13 x 2-3/8 L, Silver Contact)
76-1556	TERMINAL POST - Grd., Switch (10-32 x 1 L)
84-1105	SCREW - Coil Lead (6-32 x 1/4 L, Slotted Hex, Thd. Cut.)
84-1362	SCREW - Term. Plate (10-32 x 1/2 L, Hex)
84-2305	HEX NUT - Grd., Switch Terms. (10-32 x 3/8 F x 1/8 T, w/ Att. Washer)
84-2600-1	HEX NUT - Batt., Motor Terms. (1/2-13 x 3/4 F x 7/16 T)
84-2602	HEX NUT - Batt., Motor Terms. (1/2-13 x 3/4 F x 5/16 T)
84-2603	HEX NUT - Batt., Motor Terms. (1/2-13 x 3/4 F x 7/16 T)
84-4101	LOCK WASHER - Coil Lead (#6 ID, Split)
84-4600	LOCK WASHER - Batt., Motor Terms. (1/2 ID, Split)
84-4603	FLAT WASHER - Batt., Motor Terms. (1/2 ID)

DELCO 40MT SOLENOID, SQUARE PLATE

DELCO 41MT SERIES

DELCO 41MT SERIES





DELCO 41MT SERIES (cont'd.)

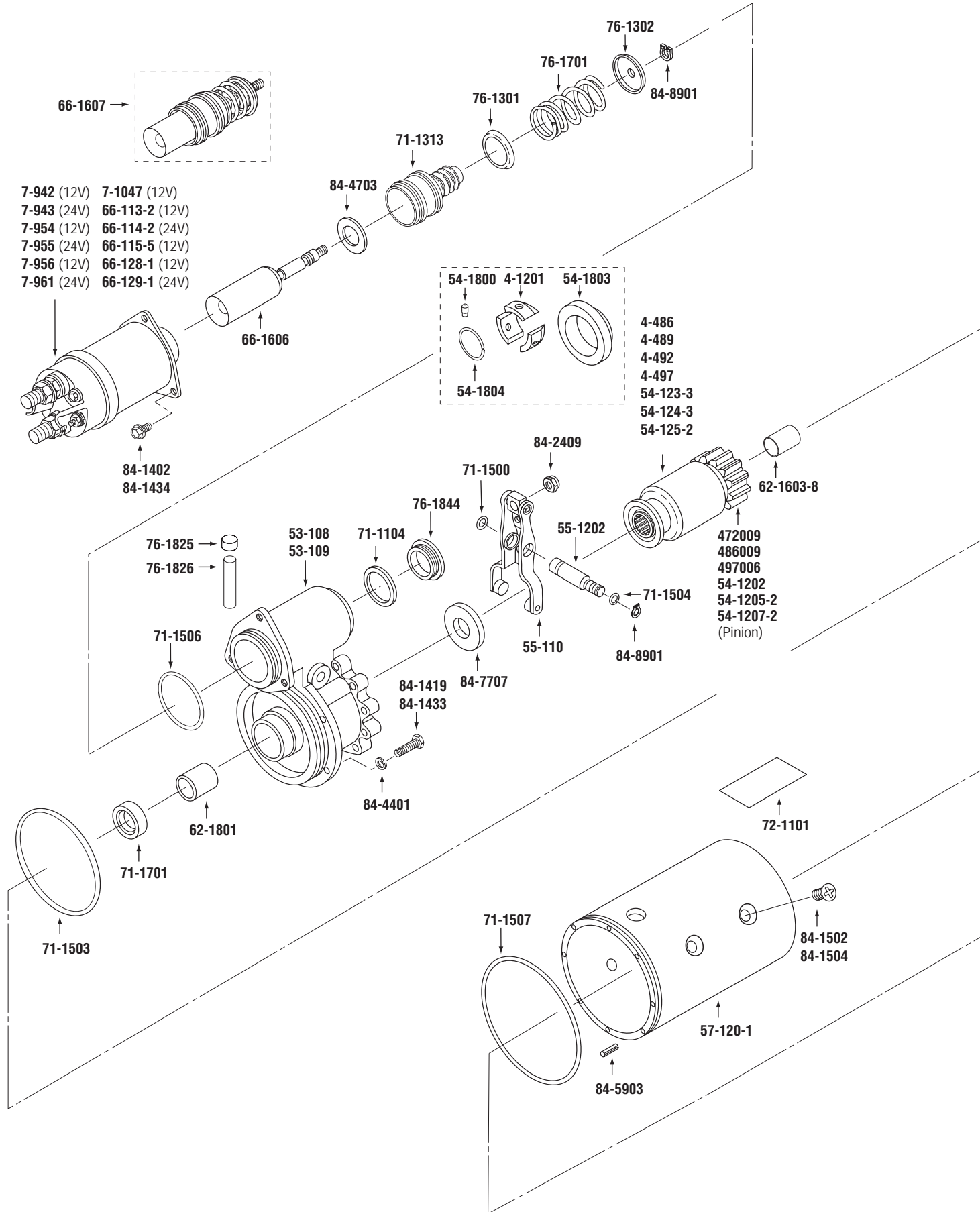
DELCO 41MT SERIES

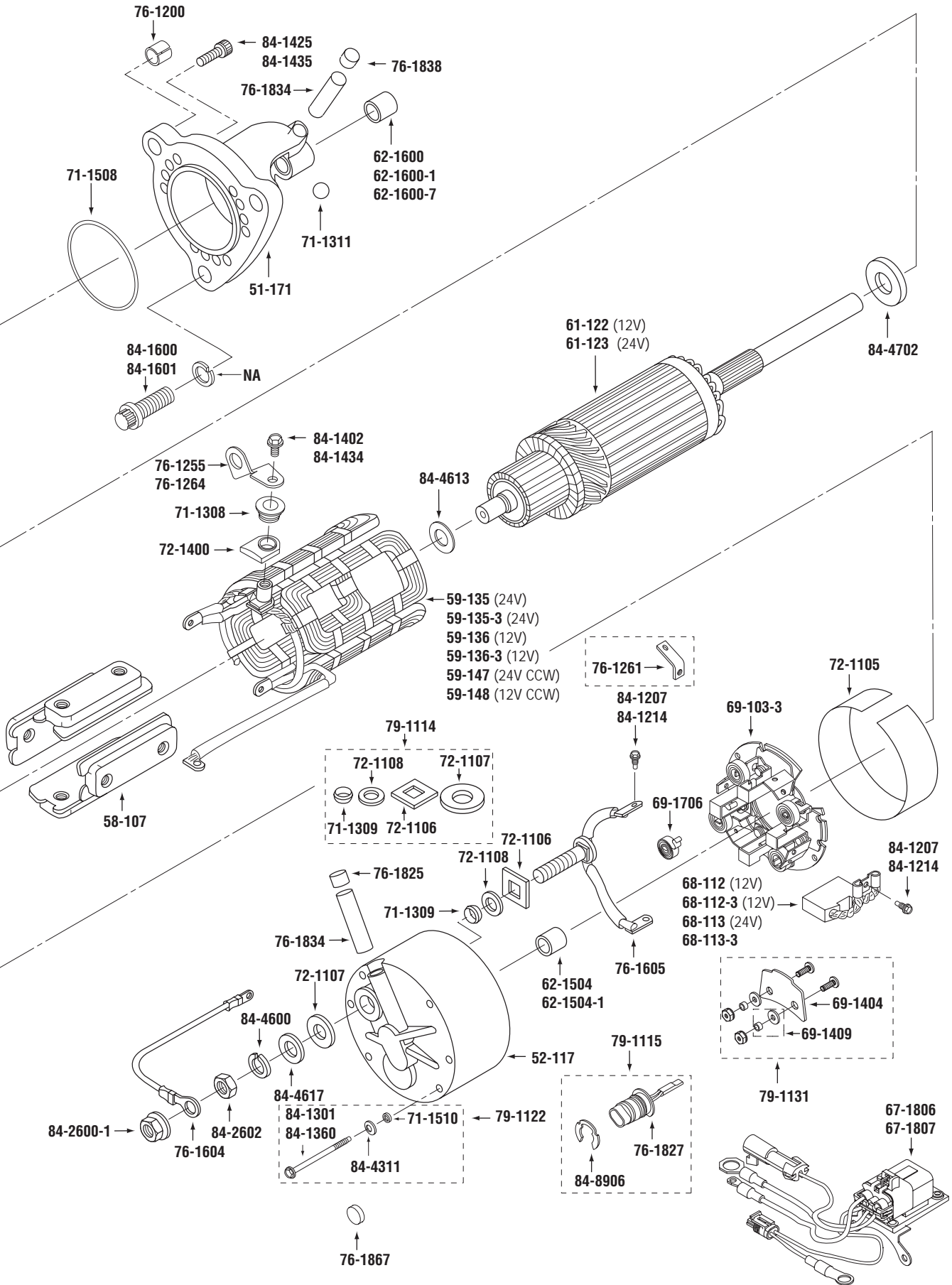
WAI No.	Description
4-487	STARTER DRIVE (12T, CW, 19-SPL, Positive Engagement Design, Accurate)
4-491	STARTER DRIVE (11-T, CW, 19-SPL, Accurate)
7-1046	SOLENOID - 24V (1/2 Batt., 1/2 Motor Terms., Grd. Base, RH S-Term., Jump-Start Protection Cap, Accurate)
7-1121	SOLENOID - 12V (1/2 Batt., 1/2 Motor Terms., Insul. Base, RH S-Term., Accurate)
7-1122	SOLENOID - 12V (1/2 Batt., 1/2 Motor Terms., Grd. Base, RH S-Term., Accurate)
7-1152	SOLENOID - 24V (1/2 Batt., 1/2 Motor Terms., Insul. Base, RH S-Term., Accurate)
52-124	C.E. FRAME - 12-24V (wo/ C.E. Terminal Hole)
52-131	C.E. FRAME - 12-24V (w/ C.E. Terminal Hole)
53-105	LEVER HOUSING
53-106	LEVER HOUSING
54-153	STARTER DRIVE (12T, CW, 19-SPL, Positive Engagement Design)
54-154-2	STARTER DRIVE (11-T, CW, 19-SPL)
55-110	SHIFT LEVER
55-1202	SHAFT - Shift Lever (2-9/32 L)
55-1206	SHAFT - Shift Lever (1-11/16 L)
57-126-1	FIELD CASE
58-108	POLE SHOE - CW Rotation
59-144	FIELD COIL - 12V, CW Rotation
59-144-3	FIELD COIL - 12V, CW Rotation
59-151-3	FIELD COIL - 24V, CW Rotation
61-143	ARMATURE - 12V
61-144	ARMATURE - 24V
62-1504	BUSHING - C.E. (Prefit, .5645 ID x .7520 OD x .750 L)
62-1504-1	BUSHING - C.E. (1X-Undersize, .5620 ID x .7520 OD x .750 L)
62-1600	BUSHING - D.E. (Prefit, .6290 ID x .7555 OD x .865 L)
62-1600-1	BUSHING - D.E. (1X-Undersize, .6265 ID x .7555 OD x .865 L)
62-1600-7	REPAIR BUSHING - D.E. (Oversize, .6255 ID x .8630 OD x .965 L)
62-1802	BUSHING - L.H. (Prefit, .8870 ID x 1.0090 OD x 1.000 L)
66-145-2	SOLENOID - 24V (1/2 Batt., 1/2 Motor Terms., Insul. Base, RH S-Term.)
66-1606	PLUNGER - Solenoid
66-1607	PLUNGER ASSEMBLY
68-129	BRUSH - 12V, Ref# R-135
68-129-3	BRUSH - 12V, Ref# R-135
68-130	BRUSH - 24V, Ref# R-135H
68-130-3	BRUSH - 24V, Ref# R-135H
69-108-1	BRUSH HOLDER ASSY. (wo/ 4-Brushes, Grounded Base)
69-111-1	BRUSH HOLDER ASSY. (wo/ 4-Brushes, Insulated Base)
69-1404	INSULATOR - Brush Holder
69-1409	INSULATOR - Brush Holder
69-1706	BRUSH SPRING
71-1104	GASKET - Inspection Plug
71-1308	GROMMET - Field Coil Term. (Outside)
71-1309	INSULATOR - C.E. Term. (Rubber)
71-1311	PLUG - D.E. Mtg. Holes
71-1313	BOOT - Solenoid Plunger
71-1500	O-RING - Shift Lever (3/8 ID x 1/2 OD)
71-1503	O-RING - L.H. to Field Frame
71-1504	O-RING - Shift Lever (1/4 ID x 3/8 OD x 1/16 W)
71-1506	O-RING - L.H. to Soln.
71-1507	O-RING - Field Case to C.E. Frame
71-1508	O-RING - D.E. Hsg. to L.H. (3-1/4 ID x 3-1/2 OD)

WAI No.	Description
71-1510	O-RING - C.E. Frame Screw
71-1702	OIL SEAL - L.H.
72-1101	INSULATOR - Field Coil (1-1/2 W x 3 L)
72-1105	INSULATOR - Field Coil (1-1/2 W x 13-1/2 L)
72-1106	INSULATOR - C.E. Term.
72-1107	INSULATOR - C.E. Term.
72-1108	INSULATOR - C.E. Term.
72-1400	INSULATOR - Field Coil Term.
76-1200	REDUCING BUSHING (Reduces 5/8 Dia. Mtg. Hole to 1/2 Dia.)
76-1262	CONNECTOR - Field Coil to Soln. (1/4 Dia. Hole)
76-1301	RETAINER - Plunger Spring (1-13/64 ID)
76-1302	RETAINER - Plunger Spring (13/32 ID)
76-1571	GROUND TERMINAL - Field Case
76-1604	WIRE LEAD - C.E. Term. to Soln.
76-1605	C.E. TERMINAL ASSY.
76-1701	SPRING - Plunger
76-1825	PLUG - Oil Reservoir, D.E., L.H., C.E.
76-1826	OIL WICK - D.E., L.H. (7/16 OD)
76-1827	THERMOSTAT (w/ O-Ring)
76-1834	OIL WICK - C.E. (1/2 OD x 2-1/4 L)
76-1844	INSPECTION PLUG - L.H.
76-1867	PLUG - Plugs Thermostat Hole in C.E. Frame when not used
79-1114	INSULATOR KIT - C.E. Term.
79-1115	THERMOSTAT KIT
79-1125	THRU BOLT - C.E. Frame (10-32 x 2-1/8, Hex, incl. Seal & Washer)
79-1131	INSULATOR KIT - Brush Holder
84-1207	SCREW - Brush (8-32 x 1/2 L, Hex, Thd. Cut.)
84-1214	SCREW - Brush (8-32 x 1/2 L, Slotted Hex)
84-1352	THRU BOLT - C.E. Frame (10-32 x 2-1/4 L)
84-1361	THRU BOLT - C.E. Frame (10-32 x 2-1/4 L, E8 Torx)
84-1402	SCREW - Soln. Mtg., Field Coil to Solenoid Connector (1/4-20 x 1/2 L, Hex)
84-1419	SCREW - L.H. (1/4-28 x 1 L, Hex, Thd. Cut.)
84-1425	SCREW - D.E. Hsg. (5/16-18 x 7/8 L, Socket Head)
84-1433	SCREW - L.H. (1/4-28 x 1 L, E8 Torx, Thd. Cut.)
84-1434	SCREW - Soln. Mtg., Field Coil to Solenoid Connector (1/4-20 x 1/2 L, E8 Torx)
84-1435	SCREW - D.E. Hsg. (5/16-18 x 7/8 L, T45 Torx)
84-1502	SCREW - Pole Shoe (3/8-24 x 5/8 L, Phillips)
84-1504	SCREW - Pole Shoe (3/8-24 x 11/16 L, T40 Torx)
84-2409	HEX NUT - Plunger (5/16-24 x 1/2 F x 1/4 T, Nylon Lock)
84-2600-1	HEX NUT - C.E. Term. (1/2-13 x 3/4 F x 7/16 T)
84-2602	HEX NUT - C.E. Term. (1/2-13 x 3/4 F x 5/16 T)
84-4311	CONICAL WASHER - Thru Bolt (#10 ID)
84-4401	LOCK WASHER - L.H. (1/4 ID, Split)
84-4600	LOCK WASHER - C.E. Term. (1/2 ID, Split)
84-4613	THRUST WASHER - C.E. (9/16 ID x 1-3/16 OD, Steel)
84-4617	FLAT WASHER - C.E. Term. (1/2 ID)
84-4703	FLAT WASHER - Plunger (27/32 ID)
84-4704	SPACER - L.H. (7/8 ID x .192 T)
84-5903	SPLIT ROLL PIN - Field Case (3/16 OD x 7/8 L)
84-7708	BRAKE WASHER - L.H. (15/16 ID x 2-1/8 OD, Cork/Rubber)
84-7708-1	BRAKE WASHER - L.H. (15/16 ID x 2-1/8 OD, Fiber)
84-8901	SNAP RING - Plunger, Shift Lever (.338 ID x .025 T, Ext.)
84-8906	RETAINER - Thermostat (.6 ID x .060 T)
84-8907	RETAINER - Shift Lever Shaft (.257 ID x 1/2 OD x .012 T)

DELCO 42MT SERIES

DELCO 42MT SERIES





DELCO 42MT SERIES (cont'd.)

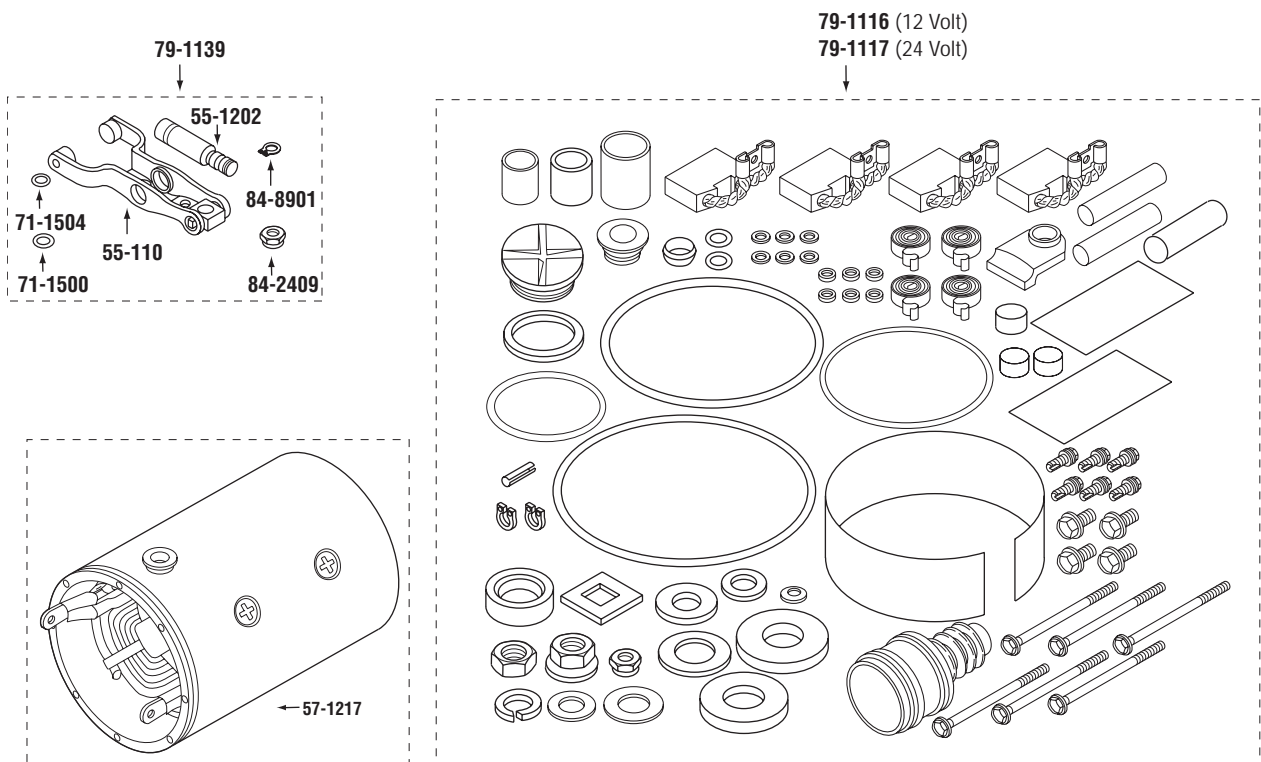
WAI No.	Description
4-486	STARTER DRIVE (11-T, CW, 19-SPL., Accurate AccuSure)
4-489	STARTER DRIVE (12-T, CW, 19-SPL, Accurate AccuSure)
4-492	STARTER DRIVE (13-T, CW, 19-SPL, Accurate AccuSure)
4-497	STARTER DRIVE (11-T, CCW, 19-SPL, Accurate AccuSure)
4-1201	CENTRIFUGAL WEIGHT - Positive Engagement Drives
7-942	SOLENOID - 12V (RH S-Term., Accurate)
7-943	SOLENOID - 24V (RH S-Term., Accurate)
7-954	SOLENOID - 12V (LH S-Term., Accurate)
7-955	SOLENOID - 24V (LH S-Term., Accurate)
7-956	SOLENOID - 12V (RH S-Term., Silver Contacts, Accurate)
7-961	SOLENOID - 24V (RH S-Term., Jump-Start Protection Cap, Accurate)
7-1047	SOLENOID - 12V (RH S-Term., Jump-Start Protection Cap, Accurate)
51-171	D.E. HOUSING (Cast Iron, 5/8 3-Ear Flg. Mtg., 24-Position)
52-117	C.E. FRAME (w/ Knockout for Thermostat)
53-108	LEVER HOUSING
53-109	LEVER HOUSING
54-123-3	STARTER DRIVE (11-T, CW, 19-SPL)
54-124-3	STARTER DRIVE (12-T, CW, 19-SPL)
54-125-2	STARTER DRIVE (11-T, CCW, 19-SPL)
54-1202	PINION GEAR - Str. Drive (11-T, CW, 15-Ratchet)
54-1205-2	PINION GEAR - Str. Drive (12-T, CW, 17-Ratchet)
54-1207-2	PINION GEAR - Str. Drive (11-T, CCW, 15-Ratchet)
54-1800	PIN - Positive Engagement Drives
54-1803	CUSHION - Positive Engagement Drives
54-1804	RETAINING RING - Positive Engagement Drives
55-110	SHIFT LEVER
55-1202	SHAFT - Shift Lever (2-9/32 L)
57-120-1	FIELD CASE
57-1217	FIELD CASE ASSY. - 12V, CW Rotation
58-107	POLE SHOE
59-135	FIELD COIL - 24V, CW Rotation
59-135-3	FIELD COIL - 24V, CW Rotation
59-136	FIELD COIL - 12V, CW Rotation
59-136-3	FIELD COIL - 12V, CW Rotation
59-147	FIELD COIL - 24V, CCW Rotation (24V, CCW)
59-148	FIELD COIL - 12V, CCW Rotation
61-122	ARMATURE - 12V
61-123	ARMATURE - 24V
62-1504	BUSHING - C.E. (Prefit, .5645 ID x .7520 OD x .750 L)
62-1504-1	BUSHING - C.E. (1X-Undersize, .5620 ID x .7520 OD x .750 L)
62-1600	BUSHING - D.E. (Prefit, .6290 ID x .7555 OD x .865 L)
62-1600-1	BUSHING - D.E. (1X-Undersize, .6265 ID x .7555 OD x .865 L)
62-1600-7	REPAIR BUSHING - D.E. (Oversize, .6255 ID x .8630 OD x .965 L)
62-1603-8	BUSHING - Drive (Split Type, .6290 ID x .6870 OD x .986 L)
62-1801	BUSHING - L.H. (Prefit, .8380 ID x .9605 OD x .985 L)
66-113-2	SOLENOID - 12V (RH S-Term.)
66-114-2	SOLENOID - 24V (RH S-Term.)
66-115-5	SOLENOID - 12V (LH S-Term.)
66-128-1	SOLENOID - 12V (RH S-Term., Silver Contacts)
66-129-1	SOLENOID - 24V (LH S-Term.)
66-1606	PLUNGER - Solenoid
66-1607	PLUNGER ASSEMBLY
67-1806	RELAY SWITCH - Solenoid Mount, w/ Over-Crank Protection
67-1807	RELAY SWITCH - Solenoid Mount, w/ Over-Crank Protection

WAI No.	Description
68-112	BRUSH - 12V, Ref# R-134
68-112-3	BRUSH - 12V, Ref# R-134
68-113	BRUSH - 24V, Ref# R-134H
68-113-3	BRUSH - 24V, Ref# R-134H
69-103-3	BRUSH HOLDER ASSY. - 12-24V (wo/ 4-Brushes)
69-1404	INSULATOR - Brush Holder
69-1409	INSULATOR - Brush Holder
69-1706	BRUSH SPRING
71-1104	GASKET - Inspection Plug
71-1308	GROMMET - Field Coil Term. (Outside)
71-1309	INSULATOR - C.E. Term. (Rubber)
71-1311	PLUG - D.E. Mtg. Holes
71-1313	BOOT - Solenoid Plunger
71-1500	O-RING - Shift Lever (3/8 ID x 1/2 OD)
71-1503	O-RING - L.H. to Field Frame
71-1504	O-RING - Shift Lever (1/4 ID x 3/8 OD x 1/16 W)
71-1506	O-RING - L.H. to Soln.
71-1507	O-RING - Field Case to C.E. Frame
71-1508	O-RING - D.E. Hsg. to L.H. (3-1/4 ID x 3-1/2 OD)
71-1510	O-RING - C.E. Frame Screw
71-1701	OIL SEAL - L.H. (49/64 ID x 3/8 W)
72-1101	INSULATOR - Field Coil (1-1/2 W x 3 L)
72-1105	INSULATOR - Field Coil (1-1/2 W x 13-1/2 L)
72-1106	INSULATOR - C.E. Term.
72-1107	INSULATOR - C.E. Term.
72-1108	INSULATOR - C.E. Term.
72-1400	INSULATOR - Field Coil Term.
76-1200	REDUCING BUSHING (Reduces 5/8 Dia. Mtg. Hole to 1/2 Dia.)
76-1255	CONNECTOR - Field Coil to Soln.
76-1261	CONNECTOR - Straight Term. Field Coil to Late Style Brush Holder
76-1264	CONNECTOR - Field Coil to Semi-solid Link Soln.
76-1301	RETAINER - Plunger Spring (1-13/64 ID)
76-1302	RETAINER - Plunger Spring (13/32 ID)
76-1604	WIRE LEAD - C.E. Term. to Soln.
76-1605	C.E. TERMINAL ASSY.
76-1701	SPRING - Plunger
76-1825	PLUG - Oil Reservoir, C.E., L.H.
76-1826	OIL WICK - L.H. (7/16 OD)
76-1827	THERMOSTAT (w/ O-Ring)
76-1834	OIL WICK - D.E., C.E. (1/2 OD x 2-1/4 L)
76-1838	PLUG - Oil Reservoir, D.E. Hsg.
76-1844	INSPECTION PLUG - L.H.
76-1867	PLUG - Plugs Thermostat Hole in C.E. Frame when not used
79-1114	INSULATOR KIT - C.E. Term.
79-1115	THERMOSTAT KIT
79-1116	REPAIR KIT - 12V Strs.
79-1117	REPAIR KIT - 24V Strs.
79-1122	THRU BOLT - C.E. Frame (incl. Seal & Washer)
79-1131	INSULATOR KIT - Brush Holder
79-1139	SHIFT LEVER KIT
84-1207	SCREW - Brush (8-32 x 1/2 L, Hex, Thd. Cut.)
84-1214	SCREW - Brush (8-32 x 1/2 L, Slotted Hex)
84-1301	THRU BOLT - C.E. Frame (10-32 x 3-1/8 L)
84-1360	THRU BOLT - C.E. Frame (10-32 x 3-1/8 L, E8 Torx)
84-1402	SCREW - Soln. Mtg., Field Coil to Solenoid Connector (1/4-20 x 1/2 L, Hex)
84-1419	SCREW - L.H. (1/4-28 x 1 L, Hex, Thd. Cut.)
84-1425	SCREW - D.E. Hsg. (5/16-18 x 7/8 L, Socket Head)
84-1433	SCREW - L.H. (1/4-28 x 1 L, E8 Torx, Thd. Cut.)
84-1434	SCREW - Soln. Mtg., Field Coil to Solenoid Connector (1/4-20 x 1/2 L, E8 Torx)

DELCO 42MT SERIES (cont'd.)

WAI No.	Description
84-1435	SCREW - D.E. Hsg. (5/16-18 x 7/8 L, T45 Torx)
84-1502	SCREW - Pole Shoe (3/8-24 x 5/8 L, Phillips)
84-1504	SCREW - Pole Shoe (3/8-24 x 11/16 L, T40 Torx)
84-1600	BOLT - D.E. Mtg. (5/8-11 x 1-3/4 L, 12-Point Head)
84-1601	BOLT - D.E. Mtg. (5/8-11 x 2-1/2 L, 12-Point Head)
84-2409	HEX NUT - Plunger (5/16-24 x 1/2 F x 1/4 T, Nylon Lock)
84-2600-1	HEX NUT - C.E. Term. (1/2-13 x 3/4 F x 7/16 T)
84-2602	HEX NUT - C.E. Term. (1/2-13 x 3/4 F x 5/16 T)
84-4311	CONICAL WASHER - Thru Bolt (#10 ID)
84-4401	LOCK WASHER - L.H. (1/4 ID, Split)
84-4600	LOCK WASHER - C.E. Term. (1/2 ID, Split)
84-4613	THRUST WASHER - C.E. (9/16 ID x 1-3/16 OD, Steel)
84-4617	FLAT WASHER - C.E. Term. (1/2 ID)

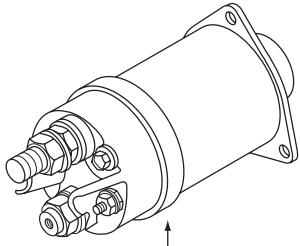
WAI No.	Description
84-4702	SPACER - L.H. (27/32 ID x .190 T)
84-4703	FLAT WASHER - Plunger (27/32 ID)
84-5903	SPLIT ROLL PIN - Field Case (3/16 OD x 7/8 L)
84-7707	BRAKE WASHER - L.H. (13/16 ID x 1-7/8 OD, Fiber)
84-8901	SNAP RING - Plunger, Shift Lever (.338 ID x .025 T, Ext.)
84-8906	RETAINER - Thermostat (.6 ID x .060 T)
472009	PINION GEAR - Str. Drive (12-T, CW, 15-Ratchet, Accurate)
486009	PINION GEAR - Str. Drive (11-T, CW, 15-Ratchet, Accurate)
497006	PINION GEAR - Str. Drive (11-T, CCW, 15-Ratchet, Accurate)



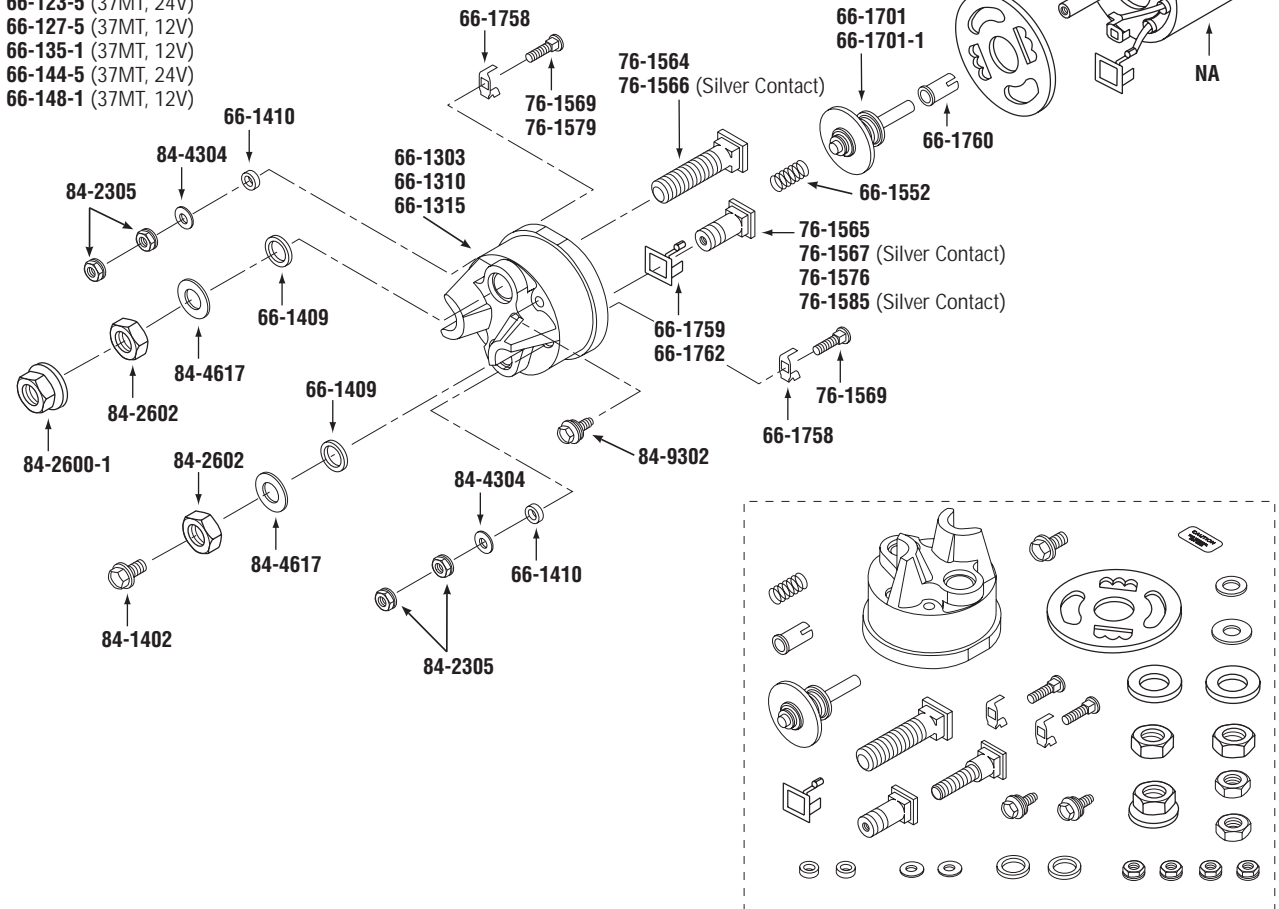
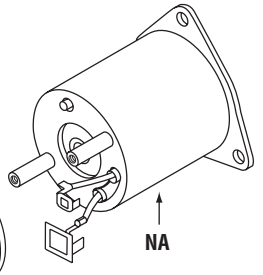
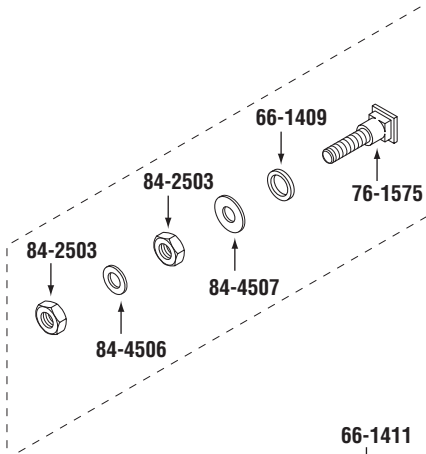
DELCO 42MT SERIES

DELCO 37-42MT SOLENOIDS

DELCO 42MT SOLENOIDS



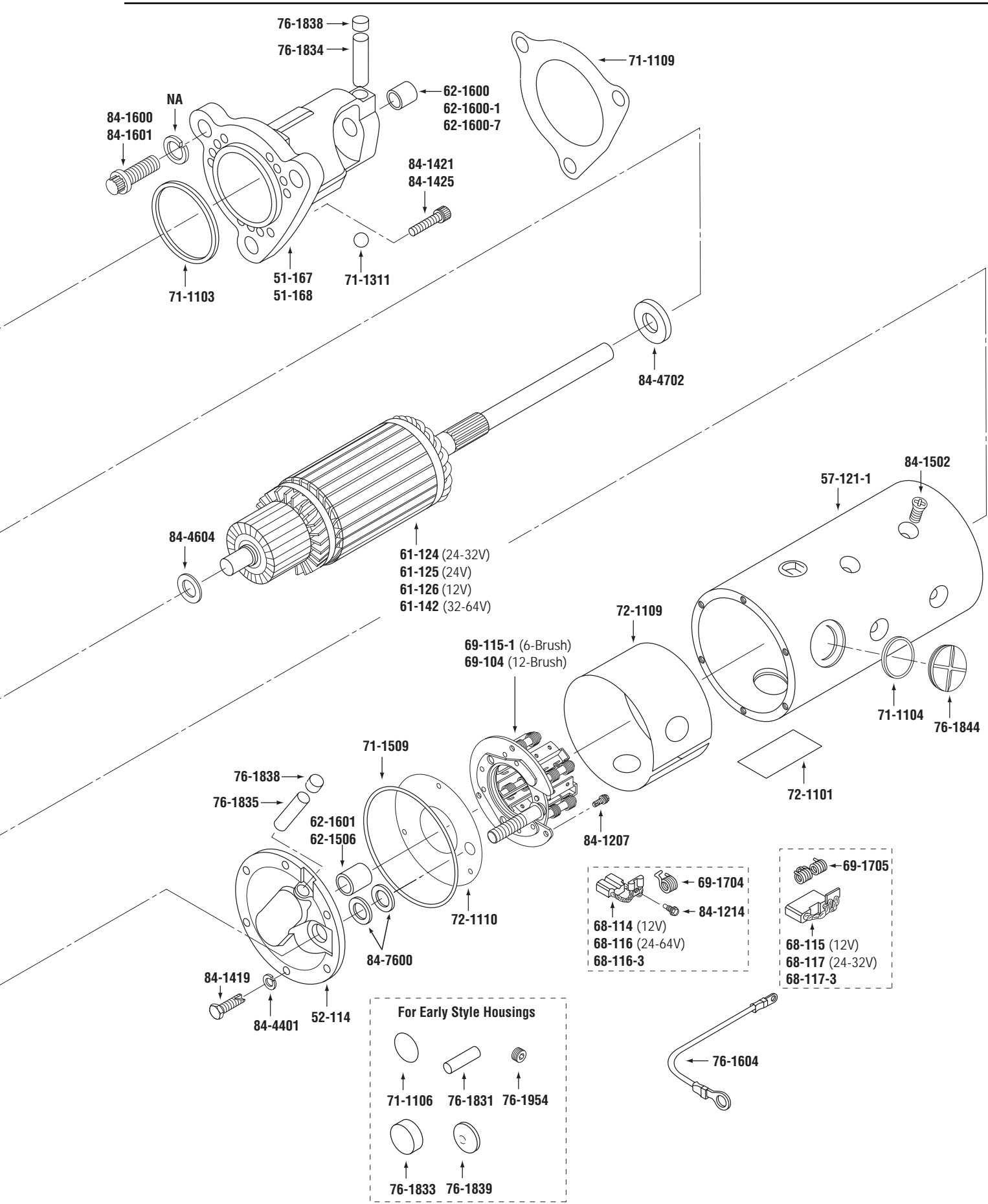
- | | | |
|----------------------|----------------------|----------------------|
| 7-922 (37MT, 24V) | 7-942 (42MT, 12V) | 7-1046 (41MT, 24V) |
| 7-924 (37MT, 24V) | 7-943 (42MT, 24V) | 7-1121 (41MT, 12V) |
| 7-931 (37MT, 12V) | 7-954 (42MT, 12V) | 7-1122 (41MT, 12V) |
| 7-937 (37MT, 12V) | 7-955 (42MT, 24V) | 7-955 (42MT, 24V) |
| 7-941 (37MT, 12V) | 7-956 (42MT, 12V) | 66-145-2 (41MT, 24V) |
| 7-949 (37MT, 12V) | 7-961 (42MT, 24V) | |
| 7-952 (37MT, 12V) | 7-1047 (42MT, 12V) | |
| 7-953 (37MT, 12V) | 66-113-2 (42MT, 12V) | |
| 7-957 (37MT, 12V) | 66-114-2 (42MT, 24V) | |
| 7-958 (37MT, 12V) | 66-115-5 (42MT, 12V) | |
| 7-959 (37MT, 24V) | 66-128-1 (42MT, 12V) | |
| 7-960 (37MT, 12V) | 66-129-1 (42MT, 24V) | |
| 7-1108 (37MT, 12V) | | |
| 7-1124 (37MT, 24V) | | |
| 66-104-1 (37MT, 12V) | | |
| 66-105-2 (37MT, 24V) | | |
| 66-117-2 (37MT, 12V) | | |
| 66-118-5 (37MT, 12V) | | |
| 66-123-5 (37MT, 24V) | | |
| 66-127-5 (37MT, 12V) | | |
| 66-135-1 (37MT, 12V) | | |
| 66-144-5 (37MT, 24V) | | |
| 66-148-1 (37MT, 12V) | | |



- 66-1208 (12V, Repair Kit)
- 66-1209 (24V, Repair Kit)
- 66-1214 (12V, Repair Kit)

DELCO 37-42MT SOLENOIDS

WAI No.	Description	WAI No.	Description
7-922	SOLENOID - 37MT, 24V (1/2 Batt., 1/2 Motor Terms., Insul. Base, RH S-Term., Accurate)	66-128-1	SOLENOID - 42MT, 12V (RH S-Term., Silver Contacts)
7-924	SOLENOID - 37MT, 24V (1/2 Batt., 1/2 Motor Terms., Grd. Base, RH S-Term., Accurate)	66-129-1	SOLENOID - 42MT, 24V (LH S-Term.)
7-931	SOLENOID - 37MT, 12V (1/2 Batt., 1/2 Motor Terms., Grd. Base, RH S-Term., Accurate)	66-135-1	SOLENOID - 37MT, 12V (1/2 Batt., 1/2 Motor Terms., Insul. Base, RH S-Term. w/ 43mm L Batt. Term.)
7-937	SOLENOID - 37MT, 12V (1/2 Batt., 3/8 Motor Terms., Grd. Base, RH S-Term., Accurate)	66-144-5	SOLENOID - 37MT, 24V (1/2 Batt., 1/2 Motor Terms., Grd. Base, RH S-Term. Jump-Start Protection Cap)
7-941	SOLENOID - 37MT, 12V (1/2 Batt., 1/2 Motor Terms., Grd. Base, LH S-Term., Accurate)	66-145-2	SOLENOID - 41MT, 24V (1/2 Batt., 1/2 Motor Terms., Insul. Base, RH S-Term.)
7-942	SOLENOID - 42MT, 12V (RH S-Term., Accurate)	66-148-1	SOLENOID - 37MT, 12V (1/2 Batt., 1/2 Motor Terms., Grd. Base, RH S-Term., Jump-Start Protection Cap)
7-943	SOLENOID - 42MT, 24V (RH S-Term., Accurate)	66-1208	SOLENOID REPAIR KIT - 42MT for 66-113 Soln. (12V)
7-949	SOLENOID - 37MT, 12V (3/8 Batt., 1/2 Motor Terms., Grd. Base, RH S-Term., Accurate)	66-1209	SOLENOID REPAIR KIT - 37MT, 42MT for 66-105, 66-114, 66-128 Soln. (24V)
7-952	SOLENOID - 37MT, 12V (3/8 Batt., 3/8 Motor Terms., Grd. Base, RH S-Term., Accurate)	66-1214	SOLENOID REPAIR KIT - 37MT, 41MT for 66-117, 66-119, 66-127 Solns. (12V)
7-953	SOLENOID - 37MT, 12V (1/2 Batt., 3/8 Motor Terms., Grd. Base, LH S-Term., Accurate)	66-1303	SOLENOID CAP (4-Terms., 1/2 Batt., 1/2 Motor Term. Holes, RH S-Term. Hole)
7-954	SOLENOID - 42MT, 12V (LH S-Term., Accurate)	66-1310	SOLENOID CAP (3-Terms., 1/2 Batt., 1/2 Motor Term. Holes, RH S-Term. Hole)
7-955	SOLENOID - 42MT, 24V (LH S-Term., Accurate)	66-1315	SOLENOID CAP (4-Terms., 1/2 Batt., 1/2 Motor Term. Holes, RH S-Term., Jump-Start Protection Cap)
7-956	SOLENOID - 42MT, 12V (RH S-Term., Silver Contacts, Accurate)	66-1409	SEAL - Batt., Motor Terms. (1/2 ID)
7-957	SOLENOID - 37MT, 12V (1/2 Batt., 1/2 Motor Terms., Insul. Base, LH S-Term., Accurate)	66-1410	SEAL - Grd., Switch Terms. (No. 10 ID)
7-958	SOLENOID - 37MT, 12V (1/2 Batt., 1/2 Motor Terms., Insul. Base, RH S-Term., Accurate)	66-1411	GASKET - Cap
7-959	SOLENOID - 37MT, 24V (1/2 Batt., 1/2 Motor Terms., Grd. Base, RH S-Term. Jump-Start Protection Cap, Accurate)	66-1552	RETURN SPRING - Movable Contact
7-960	SOLENOID - 37MT, 12V (1/2 Batt., 1/2 Motor Terms., Grd. Base, RH S-Term., Jump-Start Protection Cap, Accurate)	66-1701	MOVABLE CONTACT ASSY. (Cadmium Plated Movable Contact)
7-961	SOLENOID - 42MT, 24V (RH S-Term., Jump-Start Protection Cap, Accurate)	66-1701-1	MOVABLE CONTACT ASSY. (Silver Plated Movable Contact)
7-1046	SOLENOID - 41MT, 24V (1/2 Batt., 1/2 Motor Terms., Grd. Base, RH S-Term., Jump-Start Protection Cap, Accurate)	66-1758	CONNECTOR - Grd., Switch Terms.
7-1047	SOLENOID - 42MT, 12V (RH S-Term., Jump-Start Protection Cap, Accurate)	66-1759	CONNECTOR - Motor Term. (1/2 Square Hole)
7-1108	SOLENOID - 37MT, 12V (1/2 Batt., 1/2 Motor Terms., Insul. Base, RH S-Term. w/ 43mm L Batt. Term., Accurate)	66-1760	NYLON BUSHING - Plunger Rod
7-1121	SOLENOID - 41MT, 12V (1/2 Batt., 1/2 Motor Terms., Insul. Base, RH S-Term., Accurate)	66-1762	CONNECTOR - Motor Term. (3/8 Square Hole)
7-1122	SOLENOID - 41MT, 12V (1/2 Batt., 1/2 Motor Terms., Grd. Base, RH S-Term., Accurate)	76-1564	STATIONARY CONTACT - Battery (1/2-13 x 2-1/8 L, Copper Contact)
7-1124	SOLENOID - 37MT, 24V (1/2 Batt., 1/2 Motor Terms., Insul. Base, RH S-Term., Accurate)	76-1565	STATIONARY CONTACT - Motor (1/2-13 x 1-3/4 L, Copper Contact)
7-1152	SOLENOID - 41MT, 24V (1/2 Batt., 1/2 Motor Terms., Insul. Base, RH S-Term., Accurate)	76-1566	STATIONARY CONTACT - Battery (1/2-13 x 2-1/8 L, Silver Contact)
66-104-1	SOLENOID - 37MT, 12V (3/8 Batt., 3/8 Motor Terms., Grd. Base, RH S-Term.)	76-1567	STATIONARY CONTACT - Motor (1/2-13 x 1-3/4 L, Silver Contact)
66-105-2	SOLENOID - 37MT, 24V (1/2 Batt., 1/2 Motor Terms., Insul. Base, RH S-Term.)	76-1569	TERMINAL POST - Grd., Switch (10-32 x 3/4 L)
66-113-2	SOLENOID - 42MT, 12V (RH S-Term.)	76-1575	STATIONARY CONTACT - Battery (3/8-16 x 1-3/4 L, 1/2 Dia. Shoulder, Copper Contact)
66-114-2	SOLENOID - 42MT, 24V (RH S-Term.)	76-1576	STATIONARY CONTACT - Motor (1/2-13 x 1-1/8 L, Tapped 1/4-20, Copper Contact)
66-115-5	SOLENOID - 42MT, 12V (LH S-Term.)	76-1579	TERMINAL POST - Grd., Dummy Terms.
66-117-2	SOLENOID - 37MT, 12V (1/2 Batt., 1/2 Motor Terms., Grd. Base, RH S-Term.)	76-1585	w/ Jump Start Protection Cap (10-32 x 1-1/4 L)
66-118-5	SOLENOID - 37MT, 12V (1/2 Batt., 1/2 Motor Terms., Grd. Base, LH S-Term.)	84-1402	STATIONARY CONTACT - Motor (1/2-13 x 1-1/8 L, Tapped 1/4-20, Silver Contact)
66-123-5	SOLENOID - 37MT, 24V (1/2 Batt., 1/2 Motor Terms., Grd. Base, RH S-Term.)	84-2305	SCREW - Motor Term. (1/4-20 x 1/2 L, Hex)
66-127-5	SOLENOID - 37MT, 12V (1/2 Batt., 1/2 Motor Terms., Insul. Base, RH S-Term., Accurate)	84-2503	HEX NUT - Grd., Switch Terms. (10-32 x 3/8 F x 1/8 T, w/ Att. Washer)
		84-2600-1	HEX NUT - Batt., Motor Terms. (3/8-16 x 5/8 F x 1/4 T)
		84-2602	HEX NUT - Batt. Term. (1/2-13 x 3/4 F x 7/16 T)
		84-4304	HEX NUT - Batt., Motor Terms. (1/2-13 x 3/4 F x 5/16 T)
		84-4506	FLAT WASHER - Grd, Switch Terms. (#10 ID)
		84-4507	FLAT WASHER - Batt., Motor Terms. (3/8 ID)
		84-4617	FLAT WASHER - Batt., Motor Terms. (1/2 ID)
		84-9302	SCREW - Cap (10-32 x 3/4 L, Hex)



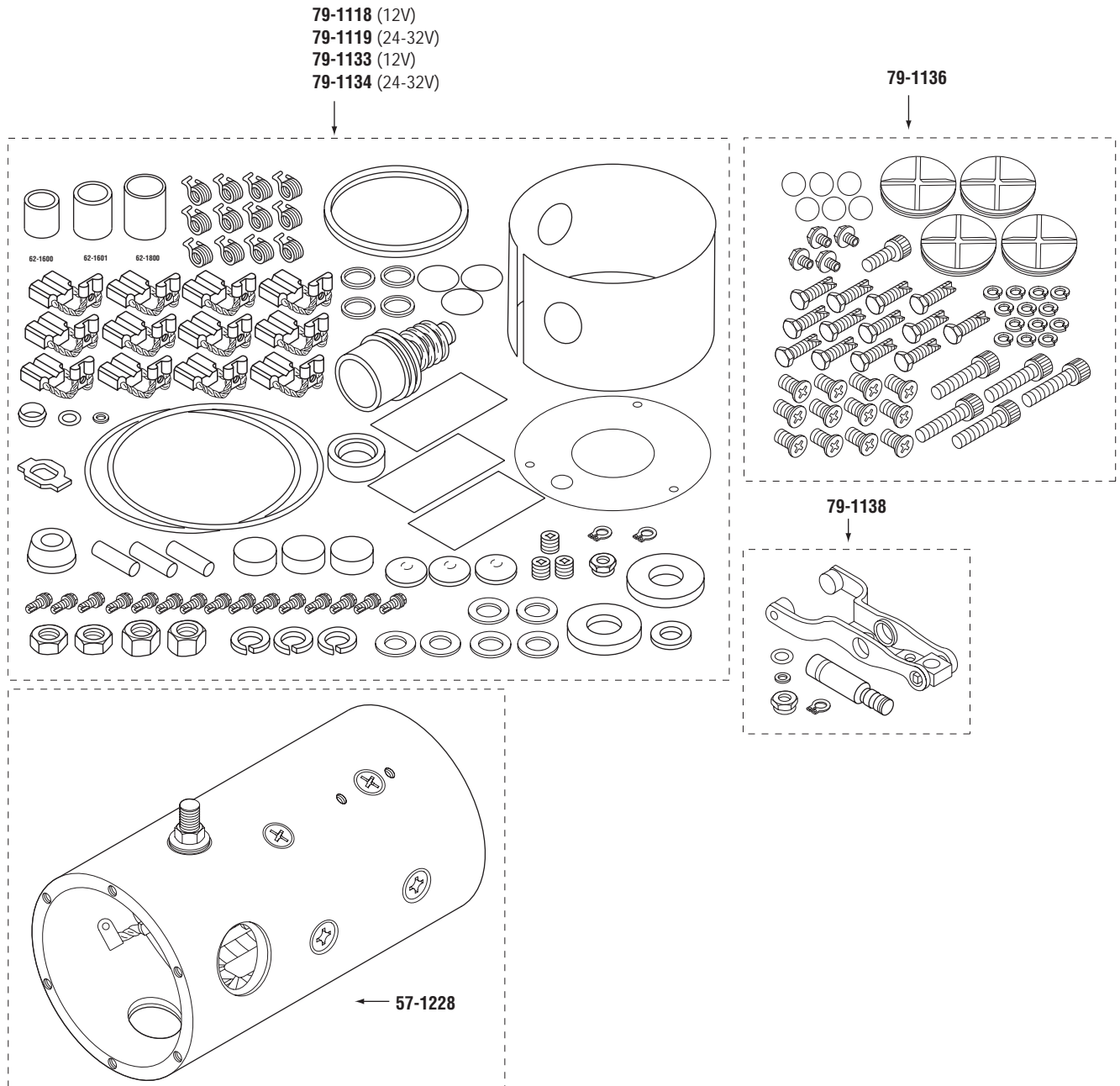
DELCO 50MT SERIES (cont'd.)

WAI No.	Description	WAI No.	Description
4-311VN	STARTER DRIVE (12-T, CW, 19-SPL, 168mm L, Accurate AccuSure)	66-109	SOLENOID - 24V (Oval Plate, Silver Contacts)
4-486	STARTER DRIVE (11-T, CW, 19-SPL,, Accurate AccuSure)	66-110	SOLENOID - 12V (Oval Plate, Copper Contacts)
4-489	STARTER DRIVE (12-T, CW, 19-SPL, Accurate AccuSure)	66-1604	PLUNGER ASSEMBLY (w/ 66-1605 Plunger)
4-497	STARTER DRIVE (11-T, CCW, 19-SPL, Accurate AccuSure)	66-1605	PLUNGER - Solenoid (3/8 Dia. Mtg. Shoulder)
4-1201	CENTRIFUGAL WEIGHT - Positive Engagement Drives	66-1605-1	PLUNGER - Solenoid (3/8 Dia. Mtg. Shoulder)
7-900N	SOLENOID - 24V (Square Plate, Chrome/Copper Contacts, Accurate)	68-114	BRUSH - 12V, Ref# R-121, 12-Req.
7-900NS	SOLENOID - 24V (Square Plate, Silver Contacts, Accurate)	68-115	BRUSH - 12V, Ref# R-124, 6-Req.
7-900S	SOLENOID - 24V (Oval Plate, Silver Contacts, Accurate)	68-116	BRUSH - 24-64V, Ref# R-92, 12-Req.
7-907	SOLENOID - 12V (Oval Plate, Copper Contacts, Accurate)	68-116-3	BRUSH - 24-64V, Ref# R-92, 12-Req.
7-907N	SOLENOID - 12V (Square Plate, Copper Contacts, Accurate)	68-117	BRUSH - 24-32V, Ref# R-124H, 6-Req.
7-907NS	SOLENOID - 12V (Square Plate, Silver Contacts, Accurate)	68-117-3	BRUSH - 24-32V, Ref# R-124H, 6-Req.
7-925N	SOLENOID - 32-64V (Square Plate, Silver Contacts, Accurate)	69-104	BRUSH HOLDER ASSY. (wo/ 12-Brushes)
7-928NS	SOLENOID - 24V (Square Plate, Silver Contacts, Reverse Term., Accurate)	69-115-1	BRUSH HOLDER ASSY. (wo/ 6-Brushes)
7-934	SOLENOID - 32V (Oval Plate, Silver Contacts, Accurate)	69-1704	BRUSH SPRING - 8-Req.
51-167	D.E. HOUSING (Cast Iron, 5/8 3-Ear Flg. Mtg.)	69-1705	BRUSH SPRING - 6-Req.
51-168	D.E. HOUSING (Cast Iron, 5/8 3-Ear Flg. Mtg.)	71-1103	GASKET - D.E. Hsg. to L.H. (3 ID x 3-3/8 OD)
52-114	C.E. FRAME - CW Rotation Strs.	71-1104	GASKET - Inspection Plug L.H. Field Case
53-110	LEVER HOUSING	71-1106	GASKET - Expansion Plug Early Style Hsgs.
54-123-3	STARTER DRIVE (11-T, CW, 19-SPL)	71-1109	GASKET - Wet Clutch Str. Mounting
54-124-3	STARTER DRIVE (12-T, CW, 19-SPL)	71-1306	BOOT - Solenoid Plunger
54-125-2	STARTER DRIVE (11-T, CCW, 19-SPL)	71-1309	INSULATOR - C.E. Term. (Rubber)
54-1202	PINION GEAR - Str. Drive (11-T, CW, 15-Ratchet)	71-1310	GROMMET - Field Coil Term. (1/2 ID, Rubber)
54-1205-2	PINION GEAR - Str. Drive (12-T, CW, 17-Ratchet)	71-1311	PLUG - D.E. Mtg. Holes
54-1207-2	PINION GEAR - Str. Drive (11-T, CCW, 15-Ratchet)	71-1314	PLUG - Lever Housing
54-1800	PIN - Positive Engagement Drives	71-1500	O-RING - Shift Lever (3/8 ID x 1/2 OD)
54-1803	CUSHION - Positive Engagement Drives	71-1504	O-RING - Shift Lever (1/4 ID x 3/8 OD x 1/16 W)
54-1804	RETAINING RING - Positive Engagement Drives	71-1509	O-RING - L.H., C.E. Frame
55-109	SHIFT LEVER (3/8 Dia. Plunger Rod Hole)	71-1701	OIL SEAL - L.H. (49/64 ID x 3/8 W)
55-1202	SHAFT - Shift Lever (2-9/32 L)	72-1101	INSULATOR - Field Coil (1-1/2 W x 3 L)
57-121-1	FIELD CASE	72-1104	INSULATOR - Field Coil Term. (1/2 ID, Fiber)
57-1228	FIELD CASE ASSY. - 24-32V, CW Rotation	72-1109	INSULATOR - Field Coil (3.15 W x 14 L)
58-109	POLE SHOE	72-1110	INSULATOR - Brush Plate
59-137-1	FIELD COIL - 24-32V, CW Rotation	72-1401	INSULATOR - C.E. Term. Stud (1/2 ID, Bakelite)
59-138	FIELD COIL - 12V, CW Rotation	76-1256	CONNECTOR - Field Coil to Soln.
59-139	FIELD COIL - 24-32V, CCW Rotation	76-1301	RETAINER - Plunger Spring (1-13/64 ID)
59-140-1	FIELD COIL - 32V, CW Rotation	76-1302	RETAINER - Plunger Spring (13/32 ID)
59-140-3	FIELD COIL - 32V, CW Rotation	76-1604	WIRE LEAD - C.E. Term. to Soln.
61-124	ARMATURE - 24-32V (Ref# 2097)	76-1701	SPRING - Plunger
61-125	ARMATURE - 24V (Ref# 1981)	76-1831	OIL WICK - Early Style Hsgs. (5/16 OD x 2-3/8 L)
61-126	ARMATURE - 12V (Ref# 2739)	76-1833	OIL WICK - Early Style Hsgs. (15/16 OD x 5/16 T)
61-142	ARMATURE - 32-64V (Ref# 1993)	76-1834	OIL WICK - D.E., L.H. (1/2 OD x 2-1/4 L)
62-1506	BUSHING - C.E. (.5670 ID x .7750 OD x 1.0 L)	76-1835	OIL WICK - C.E. (1/2 OD x 1-15/16 L)
62-1600	BUSHING - D.E. (Prefit, .6290 ID x .7555 OD x .865 L)	76-1838	PLUG - Oil Reservoir, D.E., L.H., C.E.
62-1600-1	BUSHING - D.E. (1X-Undersize, .6265 ID x .7555 OD x .865 L)	76-1839	EXPANSION PLUG - Early Style Hsgs. (1-1/32 Dia.)
62-1600-7	REPAIR BUSHING - D.E. (Oversize, .6255 ID x .8630 OD x .965 L)	76-1844	INSPECTION PLUG - L.H., Field Case
62-1601	BUSHING - C.E. (Prefit, .6880 ID x .8780 OD x 1.120 L)	76-1954	PIPE PLUG - Oil Reservoir, Early Style Hsgs.
62-1603-8	BUSHING - Drive (Split Type, .6290 ID x .6870 OD x .986 L)	79-1118	REPAIR KIT - 12V Strs. (12-Brush Design)
62-1800	BUSHING - L.H. (Prefit, .8380 ID x .9605 OD x 1.250 L)	79-1119	REPAIR KIT - 24-32V Strs. (12-Brush Design)
66-106-2	SOLENOID - 12V (Square Plate, Copper Contacts)	79-1133	REPAIR KIT - 12V Strs. (6-Brush Design)
66-107-2	SOLENOID - 24V (Square Plate, Silver Contacts)	79-1134	REPAIR KIT - 24-32V Strs. (6-Brush Design)
		79-1136	HARDWARE KIT
		79-1138	SHIFT LEVER KIT
		84-1207	SCREW - Brush Holder (8-32 x 1/2 L, Hex, Thd. Cut.)
		84-1214	SCREW - Brush (8-32 x 1/2 L, Slotted Hex)
		84-1411	SCREW - Soln. Mtg. (1/4-20 x 5/16 L, Hex)
		84-1419	SCREW - C.E., L.H. (1/4-28 x 1 L, Hex, Thd. Cut.)
		84-1421	SCREW - D.E. Hsg. (5/16-18 x 1-1/2 L, Socket Head)
		84-1425	SCREW - D.E. Hsg. (5/16-18 x 7/8 L, Socket Head)
		84-1502	SCREW - Pole Shoe (3/8-24 x 5/8 L, Phillips)
		84-1600	BOLT - D.E. Mtg. (5/8-11 x 1-3/4 L, 12-Point Head)
		84-1601	BOLT - D.E. Mtg. (5/8-11 x 2-1/2 L, 12-Point Head)
		84-2409	HEX NUT - Plunger (5/16-24 x 1/2 F x 1/4 T, Nylon Lock)
		84-2600-1	HEX NUT - Field Coil, C.E. Term. (1/2-13 x 3/4 F x 7/16 T)

DELCO 50MT SERIES (cont'd.)

WAI No.	Description
84-2602	HEX NUT - Field Coil, C.E. Term. (1/2-13 x 3/4 F x 5/16 T)
84-4401	LOCK WASHER - C.E., L.H. (1/4 ID, Split)
84-4600	LOCK WASHER - C.E. Term. (1/2 ID, Split)
84-4603	FLAT WASHER - C.E. Term., Field Coil (1/2 ID)
84-4604	THRUST WASHER - C.E. (11/16 ID, Steel)
84-4702	SPACER - L.H. (27/32 ID x .190 T)
84-4703	FLAT WASHER - Plunger (27/32 ID)
84-7600	INSULATING WASHER - C.E. Term., Field Coil (1/2 ID)

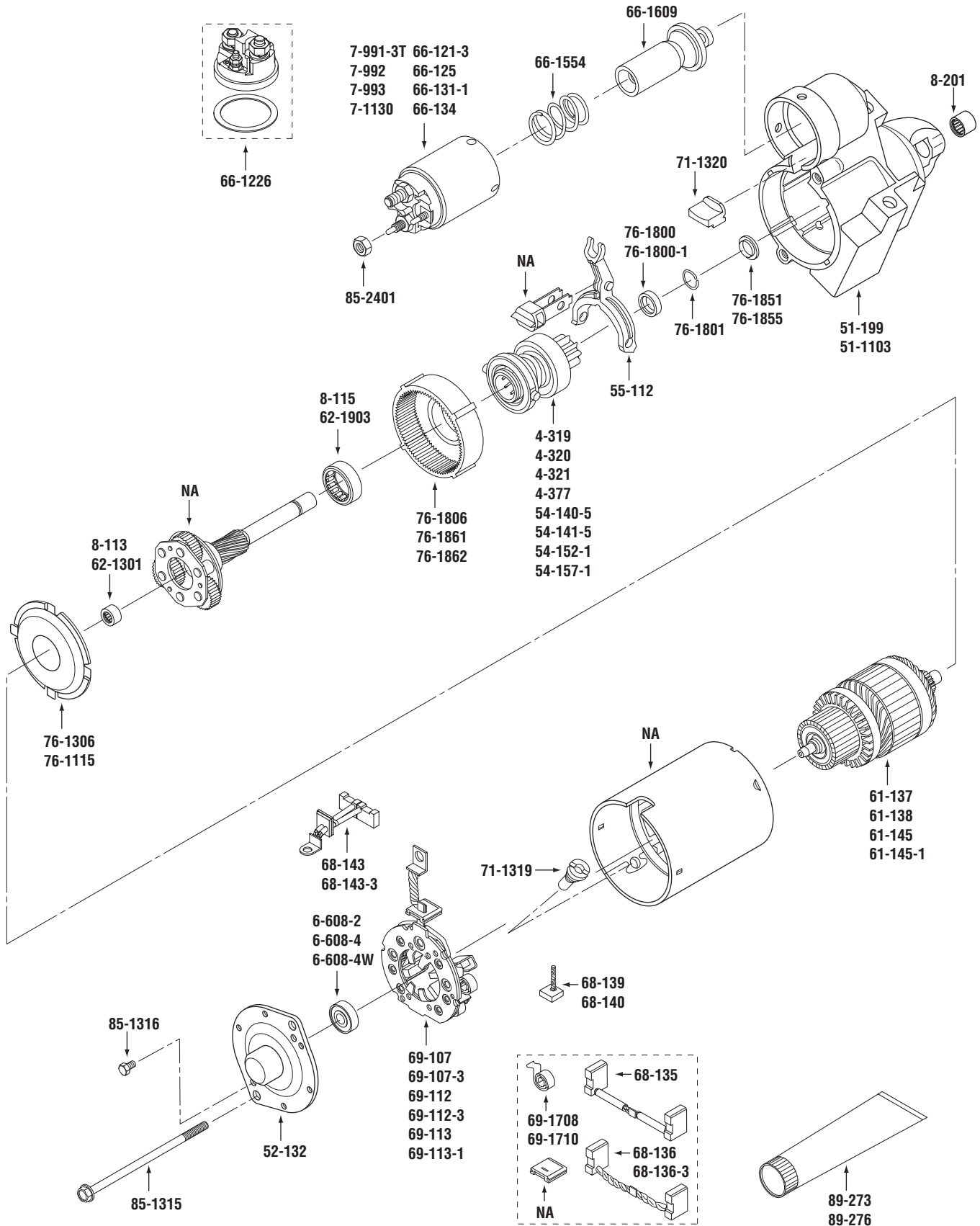
WAI No.	Description
84-7707	BRAKE WASHER - L.H. (13/16 ID x 1-7/8 OD, Fiber)
84-8901	SNAP RING - Plunger, Shift Lever (.338 ID x .025 T, Ext.)
472009	PINION GEAR - Str. Drive (12-T, CW, 15-Ratchet, Accurate)
486009	PINION GEAR - Str. Drive (11-T, CW, 15-Ratchet, Accurate)
497006	PINION GEAR - Str. Drive (11-T, CCW, 15-Ratchet, Accurate)



DELCO 50MT SERIES

DELCO PG100, PG200 SERIES

DELCO PG100, PG200 SERIES



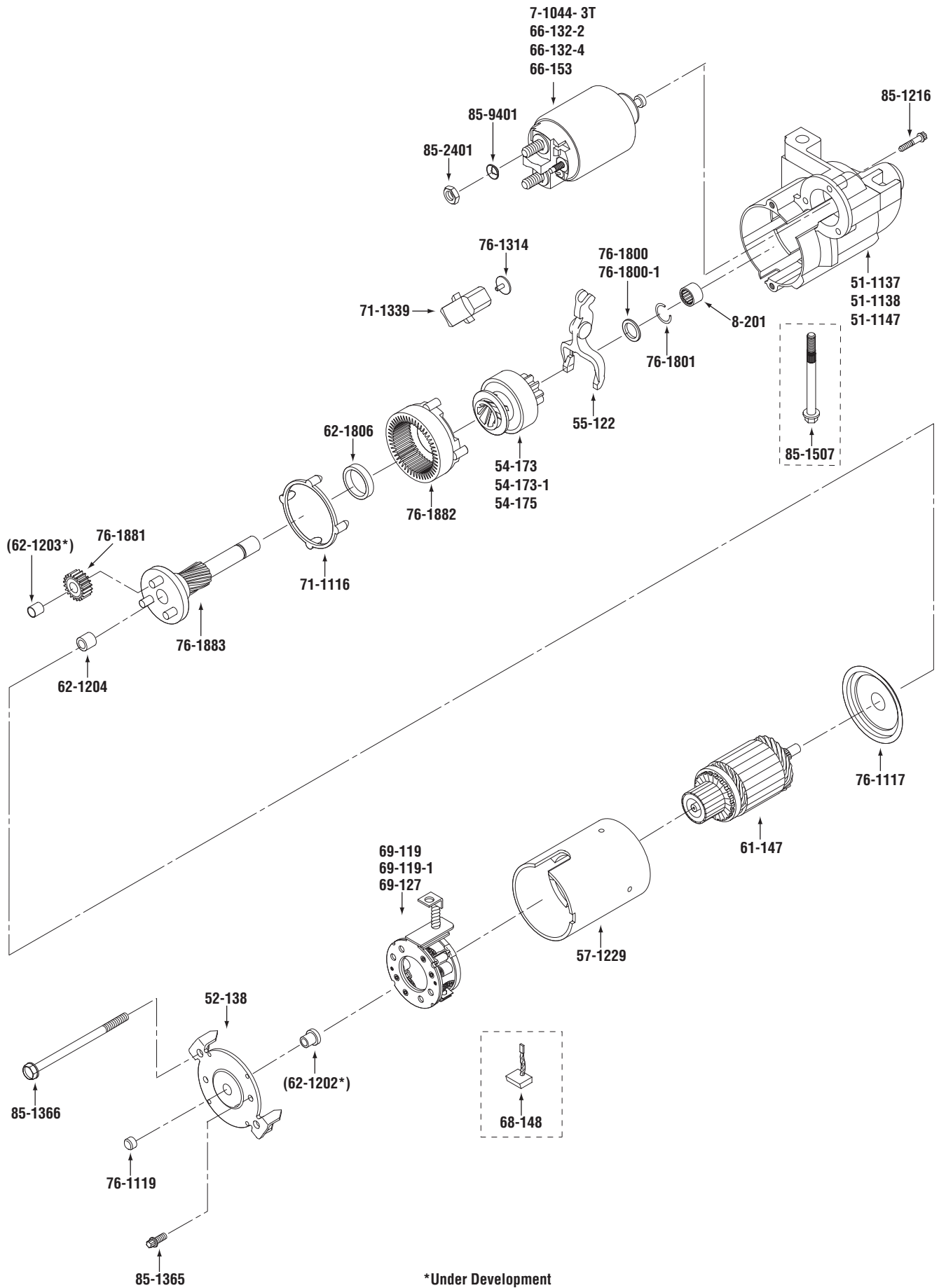
DELCO PG100, PG200 SERIES

WAI No.	Description	WAI No.	Description
4-319	STARTER DRIVE - PG100, 150 Series Strs. (9-T, CW, 6-SPL, Accurate)	66-1226	SOLENOID CAP ASSY. (Aftermarket Design w/ Solid Motor Term.)
4-320	STARTER DRIVE - PG200 Series Strs. (9-T, CW, 3-SPL, Accurate)	66-1554	PLUNGER SPRING - Plunger
4-321	STARTER DRIVE - PG200, 250 Series Strs. (9-T, CW, 6-SPL, Accurate)	66-1609	PLUNGER - Solenoid
4-377	STARTER DRIVE - 21020761 PG150S Str. (9-T, CW, 6-SPL, 45mm L, Accurate)	68-135	BRUSH - Field, PG200, 250 Series Strs. (Early Style)
6-608-2	BALL BEARING - C.E. (Dbl. Shielded)	68-136	BRUSH - Grd., PG200, 250 Series Strs.
6-608-4	BALL BEARING - C.E. (Dbl. Sealed)	68-136-3	BRUSH - Grd., PG200, 250 Series Strs.
6-608-4W	BALL BEARING - C.E. (Dbl. Sealed, WBD)	68-139	BRUSH - PG100 Series Strs., 4-Req.
7-991-3T	SOLENOID (M8 x 1.25 Batt. Term., Accurate)	68-140	BRUSH - PG150 Series Strs., 4-Req.
7-992	SOLENOID (M10 x 1.5 Batt. Term., Accurate)	68-143	BRUSH - Field, PG200, 250 Series Strs. (Late Style w/ Grommet & Terminal)
7-993	SOLENOID - PG100, 150 Series Strs. (M8 x 1.25 Batt. Term., M6 x 1.0 S-Term., Accurate)	68-143-3	BRUSH - Field, PG200, 250 Series Strs. (Late Style w/ Grommet & Terminal)
7-1130	SOLENOID - 21020761 PG150S Str. (M5 x 0.8 Thd. Mtg. Holes, Accurate)	69-107	BRUSH HOLDER ASSY. - PG200, 250 Series Strs. (w/ Brushes)
8-113	NEEDLE BEARING - Planetary Shaft, PG200, 250 Series Strs. (9.5mm ID x 14.3mm OD x 7.9mm W)	69-107-3	BRUSH HOLDER ASSY. - PG200, 250 Series Strs. (w/ Brushes)
8-115	NEEDLE BEARING - Stationary Gear, PG200, 250 Series Strs. (25.4mm ID x 31.7mm OD x 9.5mm W)	69-112	BRUSH HOLDER ASSY. - PG100 Series Strs.
8-201	NEEDLE BEARING - D.E. (12mm ID x 16mm OD x 10mm W)	69-112-3	BRUSH HOLDER ASSY. - PG100 Series Strs.
51-199	D.E. HOUSING - 9000719, 735, 762, 768, 789 Strs. (10mm Pad Mtg.)	69-113	BRUSH HOLDER ASSY. - PG150 Series Strs. (40mm LL, w/ Brushes)
51-1103	D.E. HOUSING - PG250 Series Strs. (10mm Pad Mtg.)	69-113-1	BRUSH HOLDER ASSY. - PG150 Series Strs. (40mm LL, w/ Brushes)
52-132	C.E. FRAME - PG150 Series Strs.	69-1708	BRUSH SPRING - PG200, 250 Series Strs.
54-140-5	STARTER DRIVE - PG200 Series Strs. (9-T, CW, 3-SPL)	69-1710	BRUSH SPRING - PG150 Series Strs.
54-141-5	STARTER DRIVE - PG200, 250 Series Strs. (9-T, CW, 6-SPL)	71-1319	DRAIN TUBE - Field Case, PG200, 250 Series Strs.
54-152-1	STARTER DRIVE - PG100, 150 Series Strs. (9-T, CW, 6-SPL)	71-1320	PLUG - Shift Lever Support, PG200, 250 Series Strs.
54-157-1	STARTER DRIVE - 21020761 PG150S Str. (9-T, CW, 6-SPL, 45mm L)	76-1115	COVER - Planetary Gears, 21020761 PG150S Str.
55-112	SHIFT LEVER - PG200, 250 Series Strs.	76-1306	COVER - Planetary Gears, PG200, 250 Series Strs.
61-137	ARMATURE - PG200 Series Strs. (24-SPL)	76-1800	STOP COLLAR (12mm ID x 17.3mm OD)
61-138	ARMATURE - PG200, 250 Series Strs. (31-SPL)	76-1800-1	STOP COLLAR (12mm ID, Mfd. By OE Supplier)
61-145	ARMATURE - 21020761 PG150S Str. (128mm OAL, 16-SPL, OE)	76-1801	RETAINING RING - Stop Collar (7/16 ID)
61-145-1	ARMATURE - 21020761 PG150S Str. (128mm OAL, 16-SPL)	76-1806	STATIONARY GEAR - 21020761 PG150S Str. (50-Teeth, 48mm Gear ID)
62-1301	BUSHING - Planetary Shaft (9.64mm ID x 14.27mm OD x 8.3mm L)	76-1851	THRUST COLLAR - PG200, 250 Series Strs. (20mm OD x 4.0mm L)
62-1903	BUSHING - Stationary Gear (25.60mm ID x 31.80mm OD x 9.2mm L)	76-1855	THRUST COLLAR - PG100, 150 Series Strs. (12mm ID x 19mm OD)
66-121-3	SOLENOID (M8 x 1.25 Batt. Term.)	76-1861	STATIONARY GEAR - PG100 Series Strs. (Plastic, 64-Teeth, 47mm Gear ID)
66-125	SOLENOID (M10 x 1.5 Batt. Term.)	76-1862	STATIONARY GEAR - PG150 Series Strs. (Plastic, 50-Teeth, 48mm Gear ID)
66-131-1	SOLENOID - PG100, 150 Series Strs. (M8 x 1.25 Batt. Term., M6 x 1.0 S-Term.)	85-1315	THRU BOLT - PG200, 250 Series Strs. (M6 x 1.0 x 119mm L)
66-134	SOLENOID - 21020761 PG150S Str. (M5 x 0.8 Thd. Mtg. Holes)	85-1316	SCREW - Brush Holder Assy., PG200, 250 Series Strs. (M5 x 0.8 x 8mm L, Hex)
		85-2401	HEX NUT - Soln. Term. (M8 x 1.25 x 13mm F x 5mm T)
		89-273	GREASE - Solenoid Plunger Bore (1 oz. Tube)
		89-276	GREASE - Solenoid Plunger Bore (1 lb. Container)

DELCO PG100, PG200 SERIES

DELCO PG260D SERIES

DELCO PG260D SERIES

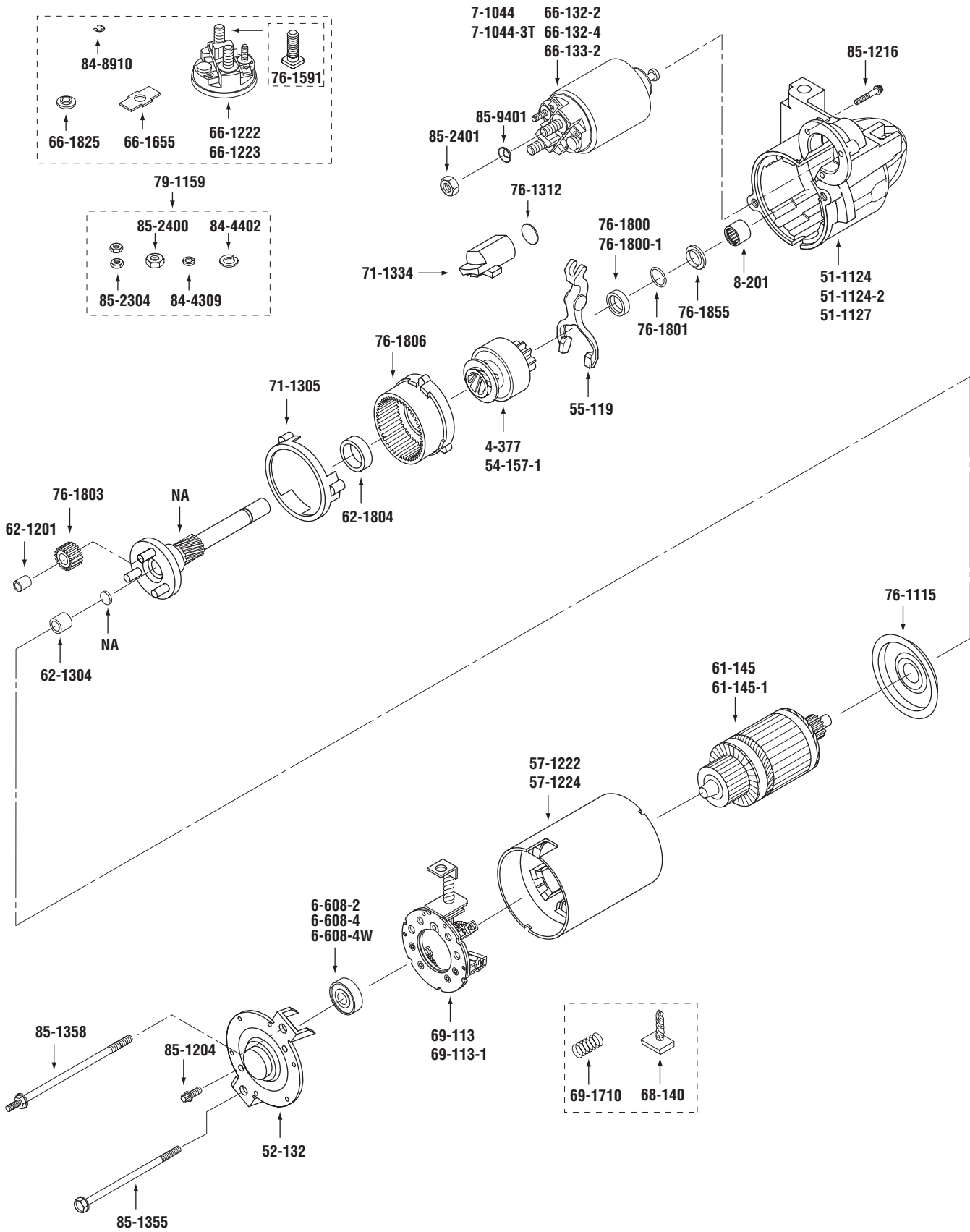


WAI No.	Description
7-1044-3T	SOLENOID (3-Term., Accurate)
8-201	NEEDLE BEARING - D.E. (12mm ID x 16mm OD x 10mm W)
51-1137	D.E. HOUSING (10mm Pad Mtg., Straight)
51-1138	D.E. HOUSING (11mm 2-Ear Flg. Mtg.)
51-1147	D.E. HOUSING (10mm Pad Mtg., Staggered)
52-138	C.E. FRAME
54-173	STARTER DRIVE (9-T, CW, 6-SPL, 25.5mm Gear OD)
54-173-1	STARTER DRIVE (9-T, CW, 6-SPL, 25.5mm Gear OD)
54-175	STARTER DRIVE (9-T, CW, 6-SPL, 29mm Gear OD)
55-122	SHIFT LEVER
57-1229	FIELD CASE ASSY.
61-147	ARMATURE (109mm OAL, 10-SPL)
62-1202*	BUSHING - C.E. (6.0mm ID x 8.75mm OD x 11.5mm L)
62-1203*	BUSHING - Planetary Gear (6.0mm ID x 8.75mm OD x 8.45mm L)
62-1204	BUSHING - Planetary Shaft (7.0mm ID x 12.0mm OD x 7.1mm L)
62-1806	BUSHING - Stationary Gear (22.28mm ID x 26.73mm OD x 5.5mm L)
66-132-2	SOLENOID (3-Terms.)
66-132-4	SOLENOID (3-Terms., Latest OE Vented Design)
66-153	SOLENOID - Nissan 23300-8U300 Str. (3-Terms.)
68-148	BRUSH
69-119	BRUSH HOLDER ASSY. (69mm Motor Lead)
69-119-1	BRUSH HOLDER ASSY. (69mm Motor Lead)
69-127	BRUSH HOLDER ASSY. (106mm Motor Lead)
71-1116	SEAL - Stationary Gear
71-1339	PLUG - Shift Lever Support
76-1117	COVER - Planetary Shaft Assy.
76-1119	COVER - C.E. Frame
76-1314	PIVOT PAD - Shift Lever
76-1800	STOP COLLAR (12mm ID x 17.3mm OD)
76-1800-1	STOP COLLAR (12mm ID, Mfd. By OE Supplier)
76-1801	RETAINING RING - Stop Collar (7/16 ID)
76-1881	PLANETARY GEAR (20-Teeth, 22mm Gear OD)
76-1882	STATIONARY GEAR (50-Teeth)
76-1883	PLANETARY SHAFT
85-1216	SCREW - Solenoid (M4 x 0.7 x 22.5mm L, E5 Torx, Thd. Form.)
85-1365	SCREW - Brush Holder Assy. (M5 x 0.8 x 9mm L, E6 Torx)
85-1366	THRU BOLT (M6 x 1.0 x 101mm L)
85-1507	BOLT - D.E. Mtg. (M10 x 1.5 x 113mm L)
85-2401	HEX NUT - Soln. Batt., Motor Terms. (M8 x 1.25 x 13mm F x 5mm T)
85-9401	LOCK WASHER - Batt., Motor Terms. (8mm ID, Conical)

*Under Development

DELCO PG260F1 SERIES

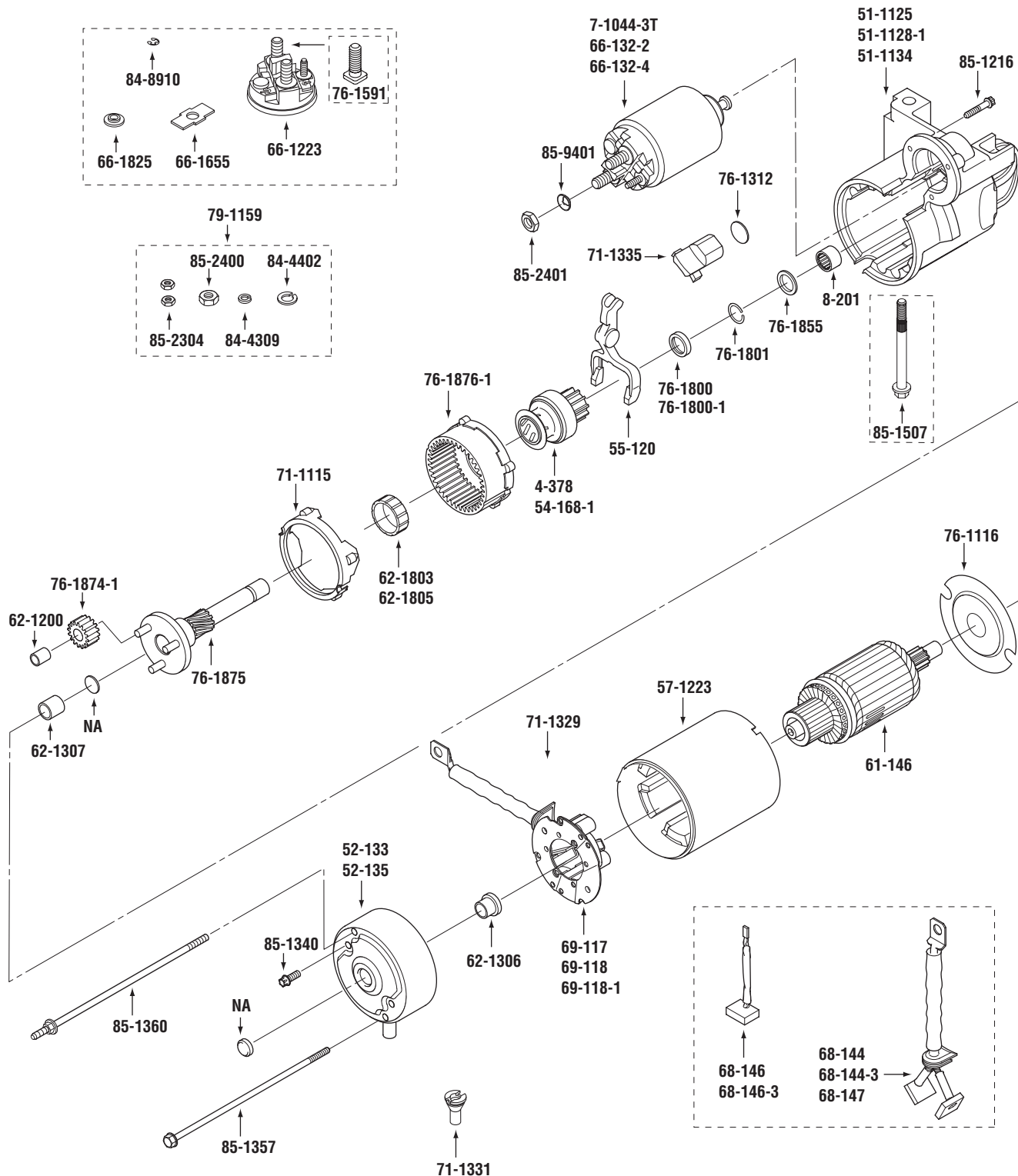
DELCO PG260F1 SERIES



WAI No.	Description
4-377	STARTER DRIVE (9-T, CW, 6-SPL, 45mm L, Accurate)
6-608-2	BALL BEARING - C.E. (Dbl. Shielded)
6-608-4	BALL BEARING - C.E. (Dbl. Sealed)
6-608-4W	BALL BEARING - C.E. (Dbl. Sealed, WBD)
7-1044	SOLENOID (4-Term., Accurate)
7-1044-3T	SOLENOID (3-Term., Accurate)
8-201	NEEDLE BEARING - D.E. (12mm ID x 16mm OD x 10mm W)
51-1124	D.E. HOUSING (10mm Pad Mtg., Straight)
51-1124-2	D.E. HOUSING (10mm Pad Mtg., Straight, wo/ Ndl. Brg.)
51-1127	D.E. HOUSING (10mm Pad Mtg., Staggered)
52-132	C.E. FRAME
54-157-1	STARTER DRIVE (9-T, CW, 6-SPL, 45mm L)
55-119	SHIFT LEVER
57-1222	FIELD CASE ASSY. (w/ Drain Notch)
57-1224	FIELD CASE ASSY. (wo/ Drain Notch)
61-145	ARMATURE (128mm OAL, 16-SPL, OE)
61-145-1	ARMATURE (128mm OAL, 16-SPL)
62-1201	BUSHING - Planetary Gear (6.10mm ID x 10.05mm OD x 10.4mm L)
62-1304	BUSHING - Planetary Shaft (8.10mm ID x 12.05mm OD x 7.0mm L)
62-1804	BUSHING - Stationary Gear (22.33mm ID x 28.64mm OD x 9.0mm L)
66-132-2	SOLENOID (3-Terms.)
66-132-4	SOLENOID (3-Terms., Latest OE Vented Design)
66-133-2	SOLENOID (4-Term.)
66-1222	SOLENOID CAP ASSY. (4-Terminal)
66-1223	SOLENOID CAP ASSY. (3-Terminal)
66-1655	MOVABLE CONTACT
66-1825	INSULATOR - Movable Contact Assy.
68-140	BRUSH
69-113	BRUSH HOLDER ASSY. (40mm LL, w/ Brushes)
69-113-1	BRUSH HOLDER ASSY. (40mm LL, w/ Brushes)
69-1710	BRUSH SPRING
71-1305	SEAL - Stationary Gear
71-1334	PLUG - Shift Lever Support
76-1115	COVER - Planetary Gears
76-1312	PIVOT PAD - Shift Lever
76-1591	STATIONARY CONTACT - Battery, Motor
76-1800	STOP COLLAR (12mm ID x 17.3mm OD)
76-1800-1	STOP COLLAR (12mm ID, Mfd. By OE Supplier)
76-1801	RETAINING RING - Stop Collar (7/16 ID)
76-1803	PLANETARY GEAR (17 Teeth, 18.5mm Gear OD, w/ 62-1201 Bushing)
76-1806	STATIONARY GEAR (50-Teeth, 48mm Gear ID)
76-1855	THRUST COLLAR - D.E. (12mm ID x 19mm OD)
79-1159	HARDWARE KIT - Solenoid
84-4309	LOCK WASHER - Soln. Switch Term. (#10 ID, Split)
84-4402	LOCK WASHER - Soln. Batt. Terms. (5/16 ID, Split)
84-8910	E-CLIP - Movable Contact Assy. (#2 ID x 11/32 OD x .025 T)
85-1204	SCREW - Brush Holder Assy. (M4 x 0.7 x 10mm L, Hex)
85-1216	SCREW - Solenoid (M4 x 0.7 x 22.5mm L, E5 Torx, Thd. Form.)
85-1355	THRU BOLT (M6 x 1.0 x 115mm L)
85-1358	THRU BOLT (M6 x 1.0 x 115mm L w/ 10-24 x 7/16 L Ext.)
85-2304	HEX NUT - Soln. Switch Term. (M5 x 0.8 x 8mm F x 3.8mm T)
85-2400	HEX NUT - Soln. Batt. Terms. (M8 x 1.25 x 13mm F x 6.3mm T)
85-2401	HEX NUT - Soln. Batt., Motor Terms. (M8 x 1.25 x 13mm F x 5mm T)
85-9401	LOCK WASHER - Batt., Motor Terms. (8mm ID, Conical)

DELCO PG260F2 SERIES

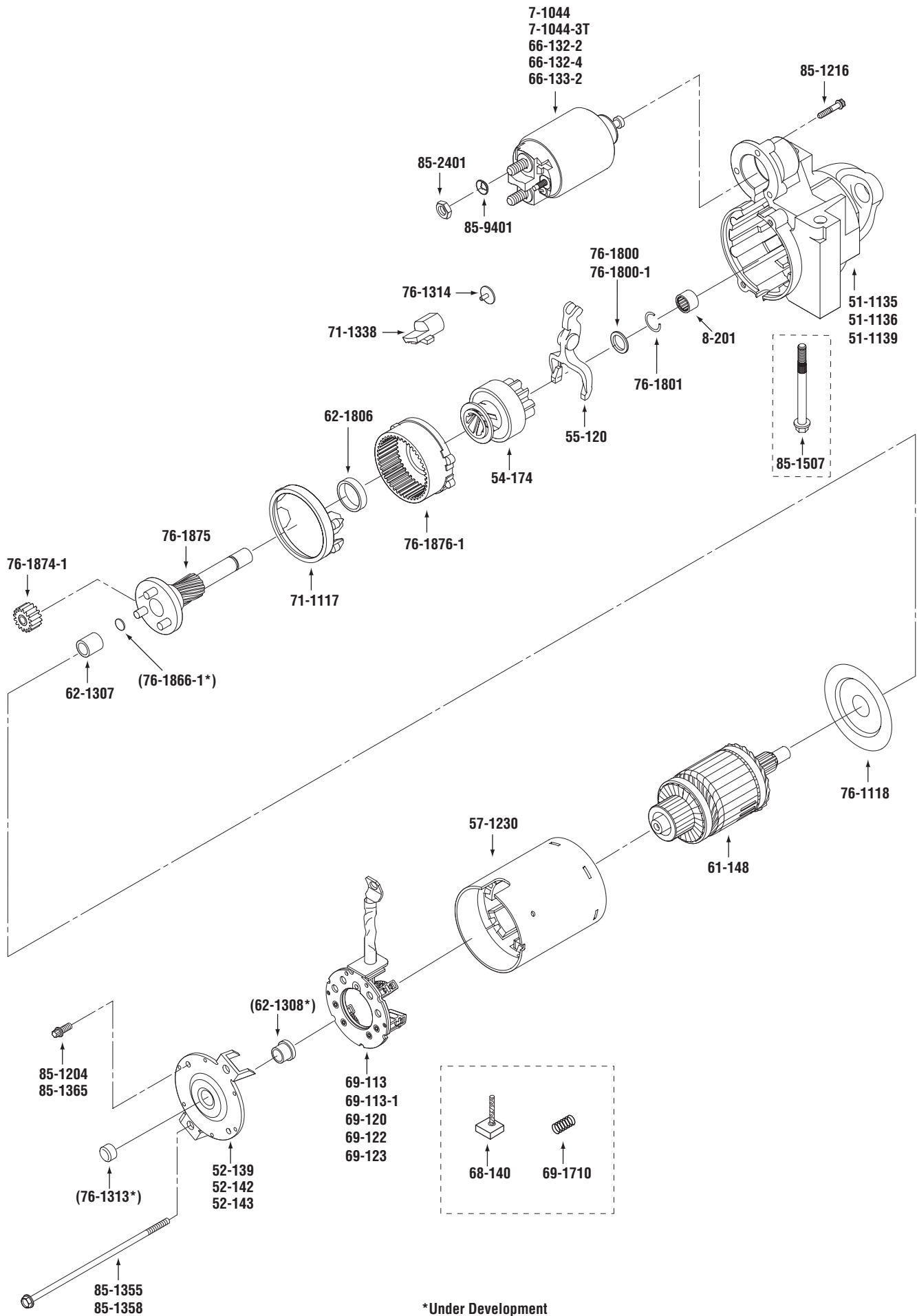
DELCO PG260F2 SERIES



WAI No.	Description	WAI No.	Description
4-378	STARTER DRIVE (11-T, CW, 6-SPL, Accurate)	69-118-1	BRUSH HOLDER ASSY. (70mm LL, w/ Brushes)
7-1044-3T	SOLENOID (3-Term., Accurate)	71-1115	SEAL - Stationary Gear
8-201	NEEDLE BEARING - D.E. (12mm ID x 16mm OD x 10mm W)	71-1329	GROMMET - Motor Lead
51-1125	D.E. HOUSING (10mm Pad Mtg., Straight)	71-1331	DRAIN TUBE - C.E. Frame
51-1128-1	D.E. HOUSING (10mm Pad Mtg., Staggered)	71-1335	PLUG - Shift Lever Support
51-1134	D.E. HOUSING (10mm Pad Mtg., Straight)	76-1116	COVER - Planetary Gear
52-133	C.E. FRAME - 9000836, 857 Strs.	76-1312	PIVOT PAD - Shift Lever
52-135	C.E. FRAME - 9000841, 858 Strs.	76-1591	STATIONARY CONTACT - Battery, Motor
54-168-1	STARTER DRIVE (11-T, CW, 6-SPL)	76-1800	STOP COLLAR (12mm ID x 17.3mm OD)
55-120	SHIFT LEVER	76-1800-1	STOP COLLAR (12mm ID, Mfd. By OE Supplier)
57-1223	FIELD CASE ASSY. - 9000836, 857; 24506694 Strs.	76-1801	RETAINING RING - Stop Collar (7/16 ID)
61-146	ARMATURE (143mm OAL, 11-SPL)	76-1855	THRUST COLLAR - D.E. (12mm ID x 19mm OD)
62-1200	BUSHING - Planetary Gear (6.10mm ID x 8.75mm OD x 10.8mm L)	76-1874-1	PLANETARY GEAR (16-Teeth, 20.5mm Gear OD)
62-1306	BUSHING - C.E. (10.08mm ID x 12.75mm OD x 11.5mm L)	76-1875	PLANETARY SHAFT
62-1307	BUSHING - Planetary Shaft (9.83mm ID x 16.65mm OD x 8.02mm L)	76-1876-1	STATIONARY GEAR (43-Teeth)
62-1803	BUSHING - Stationary Gear, 1st Prod. (22.28mm ID x 26.73mm OD x 9.1mm L)	79-1159	HARDWARE KIT - Solenoid
62-1805	BUSHING - Stationary Gear, 2nd Prod. (22.31mm ID x 26.72mm OD x 8.1mm L)	84-4309	LOCK WASHER - Soln. Switch Term. (#10 ID, Split)
66-132-2	SOLENOID (3-Terms.)	84-4402	LOCK WASHER - Soln. Batt. Terms. (5/16 ID, Split)
66-132-4	SOLENOID (3-Terms., Latest OE Vented Design)	84-8910	E-CLIP - Movable Contact Assy. (#2 ID x 11/32 OD x .025 T)
66-1223	SOLENOID CAP ASSY. (3-Terminal)	85-1216	SCREW - Solenoid (M4 x 0.7 x 22.5mm L, E5 Torx, Thd. Form.)
66-1655	MOVABLE CONTACT	85-1340	SCREW - Brush Holder Assy. (M5 x 0.8 x 11mm L, E6 Torx, Thd. Form.)
66-1825	INSULATOR - Movable Contact Assy.	85-1357	THRU BOLT (M5 x 0.8 x 151mm L)
68-144	BRUSH - Field (110mm LL)	85-1360	THRU BOLT (M5 x 0.8 x 151mm L w/ 10-24 x 7/16 L Ext.)
68-144-3	BRUSH - Field (110mm LL)	85-1507	BOLT - D.E. Mtg. (M10 x 1.5 x 113mm L)
68-146	BRUSH - Grd.	85-2304	HEX NUT - Soln. Switch Term. (M5 x 0.8 x 8mm F x 3.8mm T)
68-146-3	BRUSH - Grd.	85-2400	HEX NUT - Soln. Batt. Terms. (M8 x 1.25 x 13mm F x 6.3mm T)
68-147	BRUSH - Field (70mm LL)	85-2401	HEX NUT - Soln. Batt., Motor Terms. (M8 x 1.25 x 13mm F x 5mm T)
69-117	BRUSH HOLDER ASSY. (110mm LL, w/ Brushes)	85-9401	LOCK WASHER - Batt., Motor Terms. (8mm ID, Conical)
69-118	BRUSH HOLDER ASSY. (70mm LL, w/ Brushes)		

DELCO PG260G SERIES

DELCO PG260G SERIES



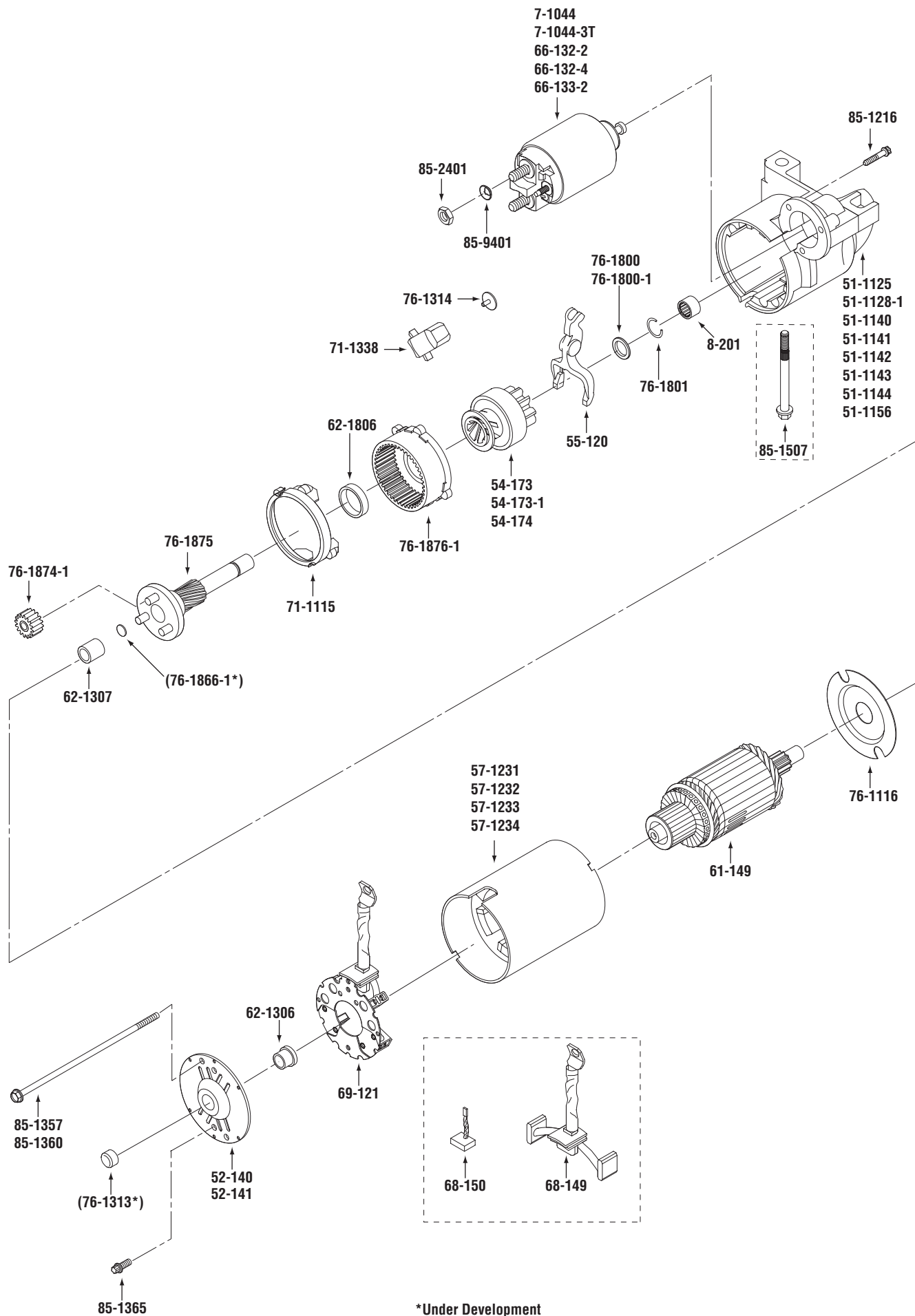
*Under Development

WAI No.	Description
7-1044	SOLENOID (4-Term., Accurate)
7-1044-3T	SOLENOID (3-Term., Accurate)
8-201	NEEDLE BEARING - D.E. (12mm ID x 16mm OD x 10mm W)
51-1135	D.E. HOUSING (10mm Pad Mtg., Staggered)
51-1136	D.E. HOUSING (10mm Pad Mtg., Straight)
51-1139	D.E. HOUSING (10mm Pad Mtg., Staggered)
52-139	C.E. FRAME - Used w/ M4 BH Screws
52-142	C.E. FRAME - Used w/ M5 BH Screws
52-143	C.E. FRAME - Used w/ M4 BH Screws
54-174	STARTER DRIVE (11-T, CW, 6-SPL)
55-120	SHIFT LEVER
57-1230	FIELD CASE ASSY.
61-148	ARMATURE (123mm OAL, 11-SPL)
62-1307	BUSHING - Planetary Shaft (9.83mm ID x 16.65mm OD x 8.02mm L)
62-1308*	BUSHING - C.E. (10.08mm ID x 12.80mm OD x 11.4mm L)
62-1806	BUSHING - Stationary Gear (22.28mm ID x 26.73mm OD x 5.5mm L)
66-132-2	SOLENOID (3-Terms.)
66-132-4	SOLENOID (3-Terms., Latest OE Vented Design)
66-133-2	SOLENOID (4-Term.)
68-140	BRUSH
69-113	BRUSH HOLDER ASSY. (40mm LL, w/ Brushes)
69-113-1	BRUSH HOLDER ASSY. (40mm LL, w/ Brushes)
69-120	BRUSH HOLDER ASSY. (83mm LL, M4 x 0.7 Brush Screw Holes)
69-122	BRUSH HOLDER ASSY. (71mm LL, M5 x 0.8 Brush Screw Holes)
69-123	BRUSH HOLDER ASSY. (57mm LL, M5 x 0.8 Brush Screw Holes)
69-1710	BRUSH SPRING
71-1117	SEAL - Stationary Gear
71-1338	PLUG - Shift Lever Support
76-1118	COVER - Planetary Shaft Assy.
76-1313*	CAP - C.E.
76-1314	PIVOT PAD - Shift Lever
76-1800	STOP COLLAR (12mm ID x 17.3mm OD)
76-1800-1	STOP COLLAR (12mm ID, Mfd. By OE Supplier)
76-1801	RETAINING RING - Stop Collar (7/16 ID)
76-1866-1*	SPACER - Planetary Shaft
76-1874-1	PLANETARY GEAR (16-Teeth, 20.5mm Gear OD)
76-1875	PLANETARY SHAFT
76-1876-1	STATIONARY GEAR (43-Teeth)
85-1204	SCREW - Brush Holder Assy. (M4 x 0.7 x 10mm L, Hex)
85-1216	SCREW - Solenoid (M4 x 0.7 x 22.5mm L, E5 Torx, Thd. Form.)
85-1355	THRU BOLT (M6 x 1.0 x 115mm L)
85-1358	THRU BOLT (M6 x 1.0 x 115mm L w/ 10-24 x 7/16 L Ext.)
85-1365	SCREW - Brush Holder Assy. (M5 x 0.8 x 9mm L, E6 Torx)
85-1507	BOLT - D.E. Mtg. (M10 x 1.5 x 113mm L)
85-2401	HEX NUT - Soln. Batt., Motor Terms. (M8 x 1.25 x 13mm F x 5mm T)
85-9401	LOCK WASHER - Batt., Motor Terms. (8mm ID, Conical)

*Under Development

DELCO PG260L SERIES

DELCO PG260L SERIES



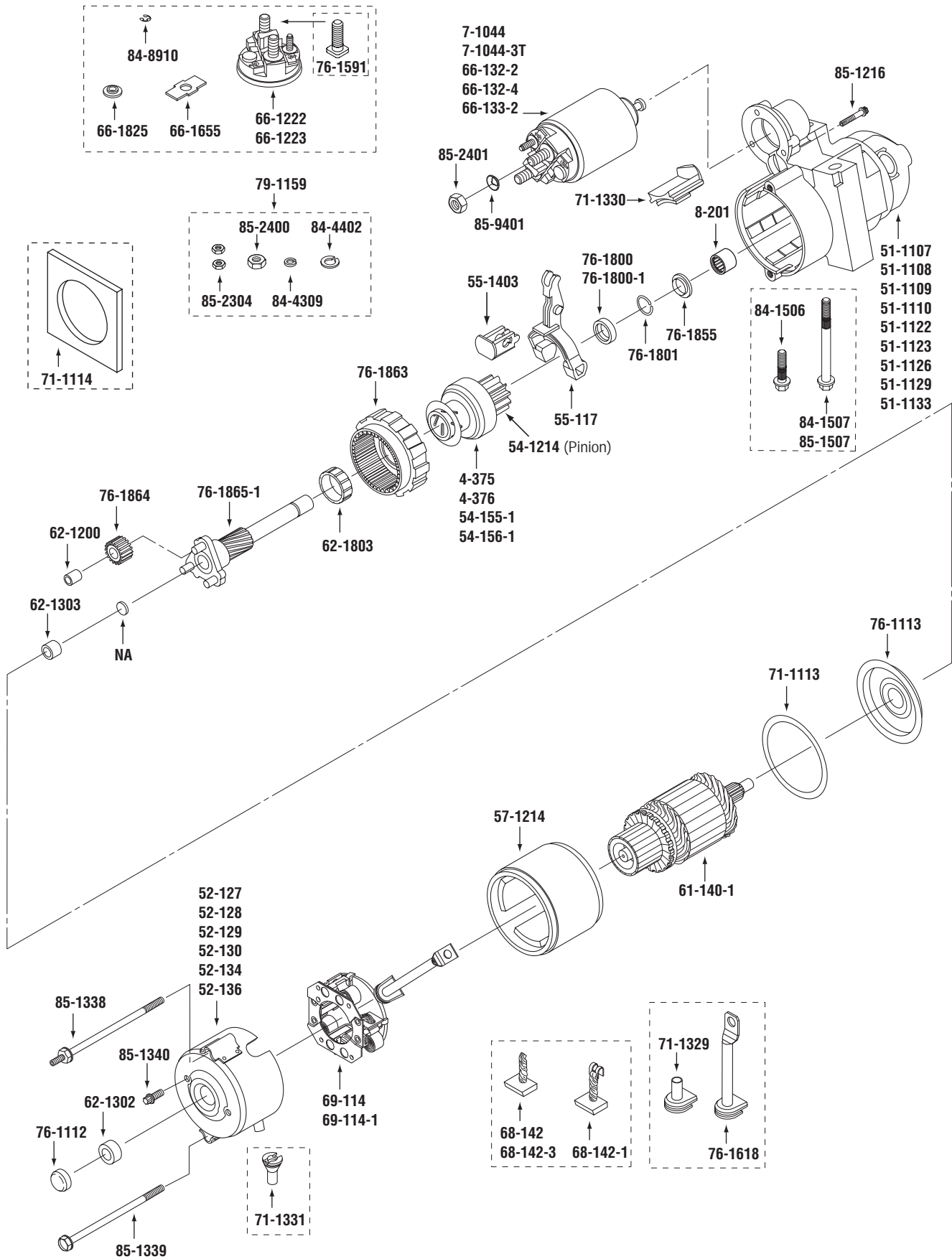
*Under Development

WAI No.	Description
7-1044	SOLENOID (4-Term., Accurate)
7-1044-3T	SOLENOID (3-Term., Accurate)
8-201	NEEDLE BEARING - D.E. (12mm ID x 16mm OD x 10mm W)
51-1125	D.E. HOUSING (10mm Pad Mtg., Straight)
51-1128-1	D.E. HOUSING (10mm Pad Mtg., Staggered)
51-1140	D.E. HOUSING (9mm 2-Ear Flg. Mtg.)
51-1141	D.E. HOUSING (M12 x 1.75, 13mm 2-Ear Flg. Mtg.)
51-1142	D.E. HOUSING (11mm 2-Ear Flg. Mtg.)
51-1143	D.E. HOUSING (10mm Pad Mtg., Staggered)
51-1144	D.E. HOUSING (10mm Pad Mtg., Straight)
51-1156	D.E. HOUSING (11mm 2-Ear Flg. Mtg.)
52-140	C.E. FRAME
52-141	C.E. FRAME
54-173	STARTER DRIVE (9-T, CW, 6-SPL, 25.5mm Gear OD)
54-173-1	STARTER DRIVE (9-T, CW, 6-SPL, 25.5mm Gear OD)
54-174	STARTER DRIVE (11-T, CW, 6-SPL)
55-120	SHIFT LEVER
57-1231	FIELD CASE ASSY. (w/ Drain Notch)
57-1232	FIELD CASE ASSY. (w/ Drain Notch)
57-1233	FIELD CASE ASSY. (w/ Drain Notch)
57-1234	FIELD CASE ASSY. - Marine Applications (wo/ Drain Notch)
61-149	ARMATURE (139mm OAL, 11-SPL)
62-1306	BUSHING - C.E. (10.08mm ID x 12.75mm OD x 11.5mm L)
62-1307	BUSHING - Planetary Shaft (9.83mm ID x 16.65mm OD x 8.02mm L)
62-1806	BUSHING - Stationary Gear (22.28mm ID x 26.73mm OD x 5.5mm L)
66-132-2	SOLENOID (3-Terms.)
66-132-4	SOLENOID (3-Terms., Latest OE Vented Design)
66-133-2	SOLENOID (4-Term.)
68-149	BRUSH - Field
68-150	BRUSH - Grd.
69-121	BRUSH HOLDER ASSY.
71-1115	SEAL - Stationary Gear
71-1338	PLUG - Shift Lever Support
76-1116	COVER - Planetary Gear
76-1313*	CAP - C.E.
76-1314	PIVOT PAD - Shift Lever
76-1800	STOP COLLAR (12mm ID x 17.3mm OD)
76-1800-1	STOP COLLAR (12mm ID, Mfd. By OE Supplier)
76-1801	RETAINING RING - Stop Collar (7/16 ID)
76-1866-1*	SPACER - Planetary Shaft
76-1874-1	PLANETARY GEAR (16-Teeth, 20.5mm Gear OD)
76-1875	PLANETARY SHAFT
76-1876-1	STATIONARY GEAR (43-Teeth)
85-1216	SCREW - Solenoid (M4 x 0.7 x 22.5mm L, E5 Torx, Thd. Form.)
85-1357	THRU BOLT (M5 x 0.8 x 151mm L)
85-1360	THRU BOLT (M5 x 0.8 x 151mm L w/ 10-24 x 7/16 L Ext.)
85-1365	SCREW - Brush Holder Assy. (M5 x 0.8 x 9mm L, E6 Torx)
85-1507	BOLT - D.E. Mtg. (M10 x 1.5 x 113mm L)
85-2401	HEX NUT - Soln. Batt., Motor Terms. (M8 x 1.25 x 13mm F x 5mm T)
85-9401	LOCK WASHER - Batt., Motor Terms. (8mm ID, Conical)

*Under Development

DELCO PG260M SERIES

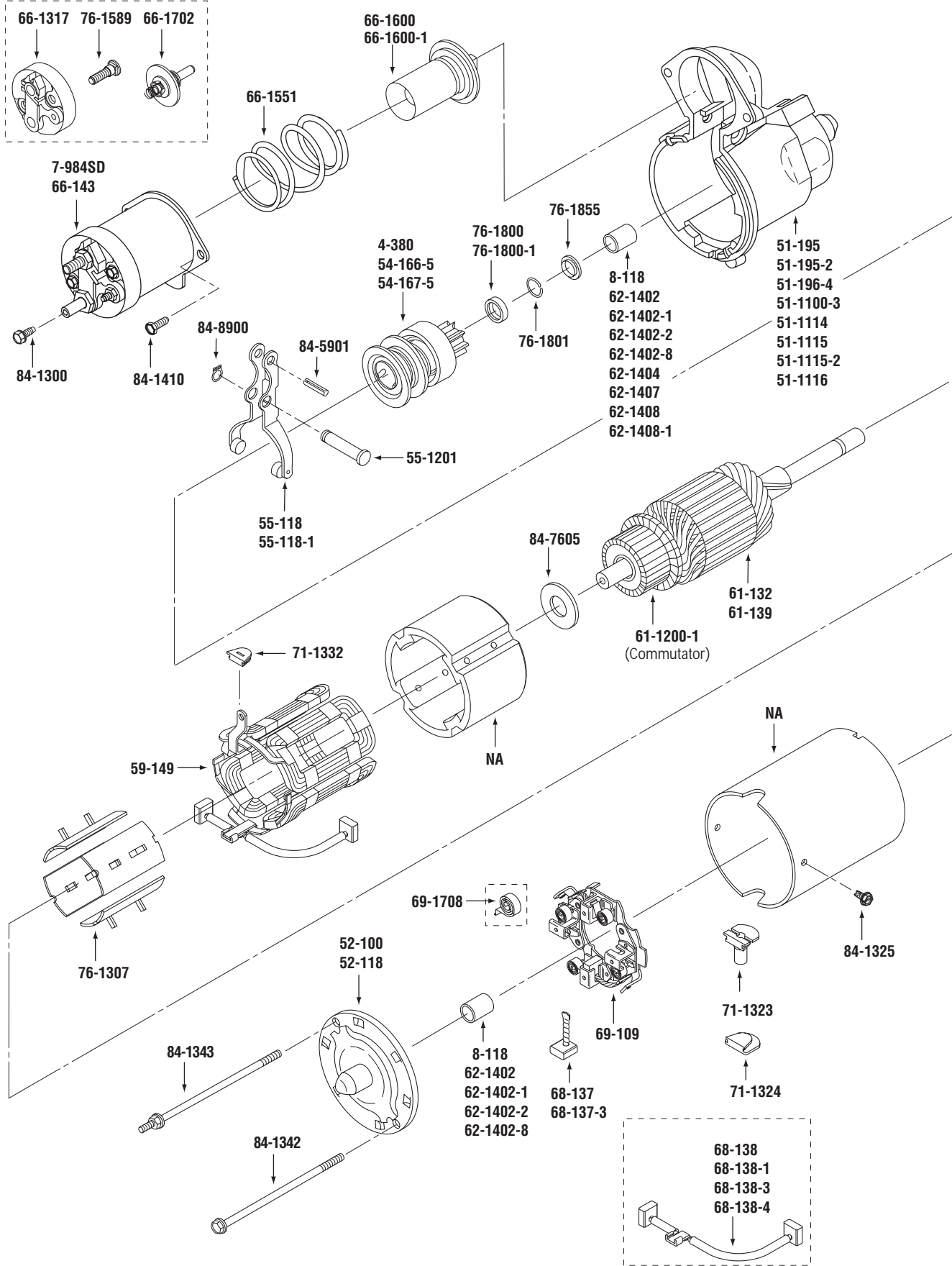
DELCO PG260M SERIES



WAI No.	Description	WAI No.	Description
4-375	STARTER DRIVE (11-T, CW, 6-SPL, Accurate)	66-1825	INSULATOR - Movable Contact Assy.
4-376	STARTER DRIVE (9-T, CW, 6-SPL, Accurate)	68-142	BRUSH (wo/ Clip)
7-1044	SOLENOID (4-Term., Accurate)	68-142-1	BRUSH (w/ Clip)
7-1044-3T	SOLENOID (3-Term., Accurate)	68-142-3	BRUSH (wo/ Clip)
8-201	NEEDLE BEARING - D.E. (12mm ID x 16mm OD x 10mm W)	69-114	BRUSH HOLDER ASSY. (w/ Brushes)
51-1107	D.E. HOUSING (10mm Pad Mtg., Staggered, Drive Opening Left)	69-114-1	BRUSH HOLDER ASSY. (w/ Brushes)
51-1108	D.E. HOUSING (10mm Pad Mtg., Straight, Drive Opening Right)	71-1113	GASKET - Planetary Gear Cover to Field Case
51-1109	D.E. HOUSING (10mm Pad Mtg., Straight, Drive Opening Left)	71-1114	GASKET - D.E., used when replacing 10MT Str. w/ PG260 Str.
51-1110	D.E. HOUSING (9mm 2-Ear Flg. Mtg.)	71-1329	GROMMET - Motor Lead
51-1122	D.E. HOUSING (M12 x 1.75, 13mm 2-Ear Flg. Mtg.)	71-1330	PLUG - Shift Lever Support
51-1123	D.E. HOUSING (10mm Pad Mtg., Staggered, Drive Opening Left)	71-1331	DRAIN TUBE - C.E. Frame
51-1126	D.E. HOUSING (10mm 3-Ear Flg. Mtg.)	76-1112	COVER - C.E. Frame
51-1129	D.E. HOUSING (10mm Pad Mtg., Straight, Drive Opening Right)	76-1113	COVER - Planetary Gear
51-1133	D.E. HOUSING (10mm Pad Mtg., Staggered, Drive Opening Left)	76-1591	STATIONARY CONTACT - Battery, Motor
52-127	C.E. FRAME - 9000786, 798, 834, 851, 853, 860, 866, 899 Strs.	76-1618	MOTOR LEAD
52-128	C.E. FRAME - 9000804, 806, 861, 863 Strs.	76-1800	STOP COLLAR (12mm ID x 17.3mm OD)
52-129	C.E. FRAME - 9000805, 862 Strs.	76-1800-1	STOP COLLAR (12mm ID, Mfd. By OE Supplier)
52-130	C.E. FRAME - 9000819, 820, 821, 822, 867 Strs.	76-1801	RETAINING RING - Stop Collar (7/16 ID)
52-134	C.E. FRAME - 9000812, 864 Strs.	76-1855	THRUST COLLAR - D.E. (12mm ID x 19mm OD)
52-136	C.E. FRAME - 9000827, 865, 900 Strs.	76-1863	STATIONARY GEAR (48-Teeth, 46mm Gear ID)
54-155-1	STARTER DRIVE (11-T, CW, 6-SPL)	76-1864	PLANETARY GEAR (18-Teeth, 19.5mm Gear OD)
54-156-1	STARTER DRIVE (9-T, CW, 6-SPL)	76-1865-1	PLANETARY SHAFT
54-1214	PINION GEAR (11-T, CW)	79-1159	HARDWARE KIT - Solenoid
55-117	SHIFT LEVER	84-1506	BOLT - Mounting, use when converting from 10MT or PG250 series (3/8-16 x 1-5/8 L, w/ 10mm Shank)
55-1403	SUPPORT - Shift Lever	84-1507	BOLT - Mounting, use when converting from 10MT or PG250 series (3/8-16 x 4-5/16 L, w/ 10mm Shank)
57-1214	FIELD CASE ASSY. (Alignment notches offset 45°)	84-4309	LOCK WASHER - Soln. Switch Term. (#10 ID, Split)
61-140-1	ARMATURE (121mm OAL, 12-SPL)	84-4402	LOCK WASHER - Soln. Batt. Terms. (5/16 ID, Split)
62-1200	BUSHING - Planetary Gear (6.10mm ID x 8.75mm OD x 10.8mm L)	84-8910	E-CLIP - Movable Contact Assy. (#2 ID x 11/32 OD x .025 T)
62-1302	BUSHING - C.E. (9.80mm ID x 16.64mm OD x 8.0mm L)	85-1216	SCREW - Solenoid (M4 x 0.7 x 22.5mm L, E5 Torx, Thd. Form.)
62-1303	BUSHING - Planetary Shaft (8.08mm ID x 11.93mm OD x 9.2mm L)	85-1338	THRU BOLT (M5 x 0.8 x 102mm L w/ 3/16-24 x 7/16 L Ext.)
62-1803	BUSHING - Stationary Gear (22.28mm ID x 26.73mm OD x 9.1mm L)	85-1339	THRU BOLT (M5 x 0.8 x 102mm L)
66-132-2	SOLENOID (3-Terms.)	85-1340	SCREW - Brush Holder Assy. (M5 x 0.8 x 11mm L, E6 Torx, Thd. Form.)
66-132-4	SOLENOID (3-Terms., Latest OE Vented Design)	85-1507	BOLT - D.E. Mtg. (M10 x 1.5 x 113mm L)
66-133-2	SOLENOID (4-Term.)	85-2304	HEX NUT - Soln. Switch Term. (M5 x 0.8 x 8mm F x 3.8mm T)
66-1222	SOLENOID CAP ASSY. (4-Terminal)	85-2400	HEX NUT - Soln. Batt. Terms. (M8 x 1.25 x 13mm F x 6.3mm T)
66-1223	SOLENOID CAP ASSY. (3-Terminal)	85-2401	HEX NUT - Soln. Batt., Motor Terms. (M8 x 1.25 x 13mm F x 5mm T)
66-1655	MOVABLE CONTACT	85-9401	LOCK WASHER - Batt., Motor Terms. (8mm ID, Conical)

DELCO SD205, SD255 SERIES

DELCO SD205, SD255 SERIES



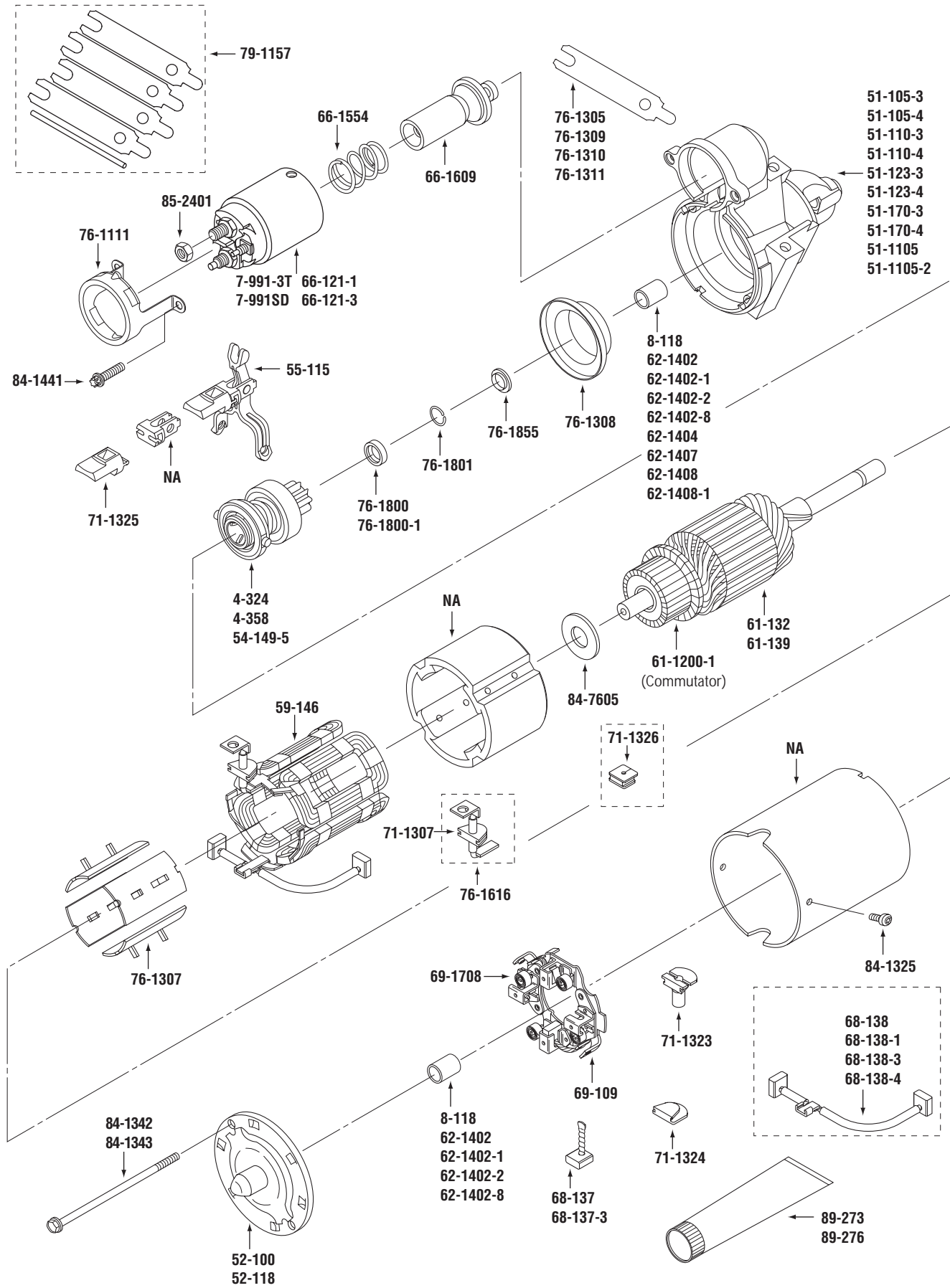
DELCO SD205, SD255 SERIES

WAI No.	Description	WAI No.	Description
4-380	STARTER DRIVE (9-T, CW, 3-SPL, Accurate)	62-1408	CONVERSION BUSHING - D.E., Replaces Ndl. Brg. (.4396 ID x .6265 OD x .500 L)
7-984SD	SOLENOID (M8 x 1.25 Batt. Term., M5 x 0.8 S-Term., Accurate)	62-1408-1	CONVERSION BUSHING - D.E., Replaces Ndl. Brg. (1X-Undersize, .4371 ID x .6265 OD x .500 L)
8-118	NEEDLE BEARING - D.E., C.E. (11mm ID x 16mm OD x 12.7mm W)	66-143	SOLENOID (M8 x 1.25 Batt. Term., M5 x 0.8 S-Term.)
51-195	D.E. HOUSING (M12 x 1.75, 13mm 2-Ear Flg. Mtg. w/ 8-118 Ndl. Brg.)	66-1317	SOLENOID CAP (3-Terms.)
51-195-2	D.E. HOUSING (M12 x 1.75, 13mm 2-Ear Flg. Mtg. wo/ Ndl. Brg.)	66-1551	PLUNGER SPRING
51-196-4	D.E. HOUSING (10mm Pad Mtg. wo/ Ndl. Brg.)	66-1600	PLUNGER - Solenoid (Short Type)
51-1100-3	D.E. HOUSING (10mm Pad Mtg., No Shim, w/ 8-118 Ndl. Brg.)	66-1600-1	PLUNGER - Solenoid (Short Type)
51-1114	D.E. HOUSING (10mm Pad Mtg. w/ 62-1402 Bushing)	66-1702	MOVABLE CONTACT ASSY. - Soln.
51-1115	D.E. HOUSING (10mm Pad Mtg. w/ 8-118 Ndl. Brg.)	68-137	BRUSH - Grd.
51-1115-2	D.E. HOUSING (10mm Pad Mtg. wo/ Ndl. Brg.)	68-137-3	BRUSH - Grd.
51-1116	D.E. HOUSING (10mm Pad Mtg. w/ 8-118 Ndl. Brg.)	68-138	BRUSH - Field (w/ Clip)
52-100	C.E. FRAME (w/ 12.01mm ID Bushing)	68-138-1	BRUSH - Field (wo/ Clip)
52-118	C.E. FRAME (w/ 8-118 Ndl. Brg.)	68-138-3	BRUSH - Field (w/ Clip)
54-166-5	STARTER DRIVE (9-T, CW, 3-SPL)	68-138-4	BRUSH - Field (wo/ Clip)
54-167-5	STARTER DRIVE (9-T, CW, 3-SPL, Cushion Pinion)	69-109	BRUSH HOLDER ASSY.
55-118	SHIFT LEVER	69-1708	BRUSH SPRING
55-118-1	SHIFT LEVER	71-1323	DRAIN TUBE - Field Case
55-1201	SHAFT - Shift Lever, used w/ 84-8900 Snap Ring	71-1324	PLUG - Field Case
59-149	FIELD COIL (8-Turn Coils)	71-1332	GROMMET - Motor Lead
61-132	ARMATURE - Used w/ Ndl. Brgs (Ref# 2214)	76-1307	RETAINER - Field Coil (2.58 L)
61-139	ARMATURE - Used w/ Bushings	76-1589	STATIONARY CONTACT - Soln. Batt. Term. (M8 x 1.25 x 31mm L w/ 10mm Dia. Shoulder)
61-1200-1	COMMUTATOR - Armature (27 Bars, 18.85mm ID x 56.39mm OD x 2.67mm Slot Width)	76-1800	STOP COLLAR (12mm ID x 17.3mm OD)
62-1402	BUSHING - D.E., C.E. (.4730 ID x .5195 OD x .500 L)	76-1800-1	STOP COLLAR (12mm ID, Mfd. By OE Supplier)
62-1402-1	BUSHING - D.E., C.E. (1X-Undersize, .4705 ID x .5195 OD x .500 L)	76-1801	RETAINING RING - Stop Collar (7/16 ID)
62-1402-2	BUSHING - D.E., C.E. (2X-Undersize, .4680 ID x .5195 OD x .500 L)	76-1855	THRUST COLLAR - D.E. (12mm ID x 19mm OD)
62-1402-8	BUSHING - D.E., C.E. (Split Type, .4730 ID x .5195 OD x .500 L)	84-1300	SCREW - Field Coil Term. to Soln. (10-32 x 1/2 L, Hex)
62-1404	CONVERSION BUSHING - D.E. (.4726 ID x .6265 OD x .500 L)	84-1325	SCREW - Brush Holder (10-32 x 3/8 L, Slotted Hex, Thd. Cut.)
62-1407	CONVERSION BUSHING - D.E. (.4395 ID x .5196 OD x .500 L)	84-1342	THRU BOLT (10-24 x 5-1/4 L)
		84-1343	THRU BOLT (10-24 x 5-1/4 L w/ 10-24 x 1/2 L Ext.)
		84-1410	SCREW - Soln. Mtg. (1/4-20 x 5/8 L, Hex)
		84-5901	SPLIT ROLL PIN - Plunger to Shift Lever (3/16 OD x 1 L)
		84-7605	BRAKE WASHER - C.E. (1/2 ID x 1-5/16 OD, Leather)
		84-8900	SNAP RING - Shift Lever Shaft (.281 ID x .025 T, Ext.)

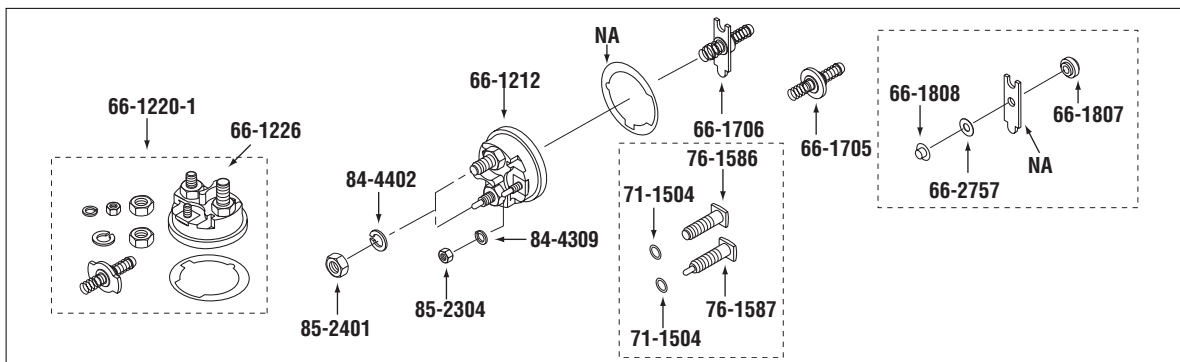
DELCO SD205, SD255 SERIES

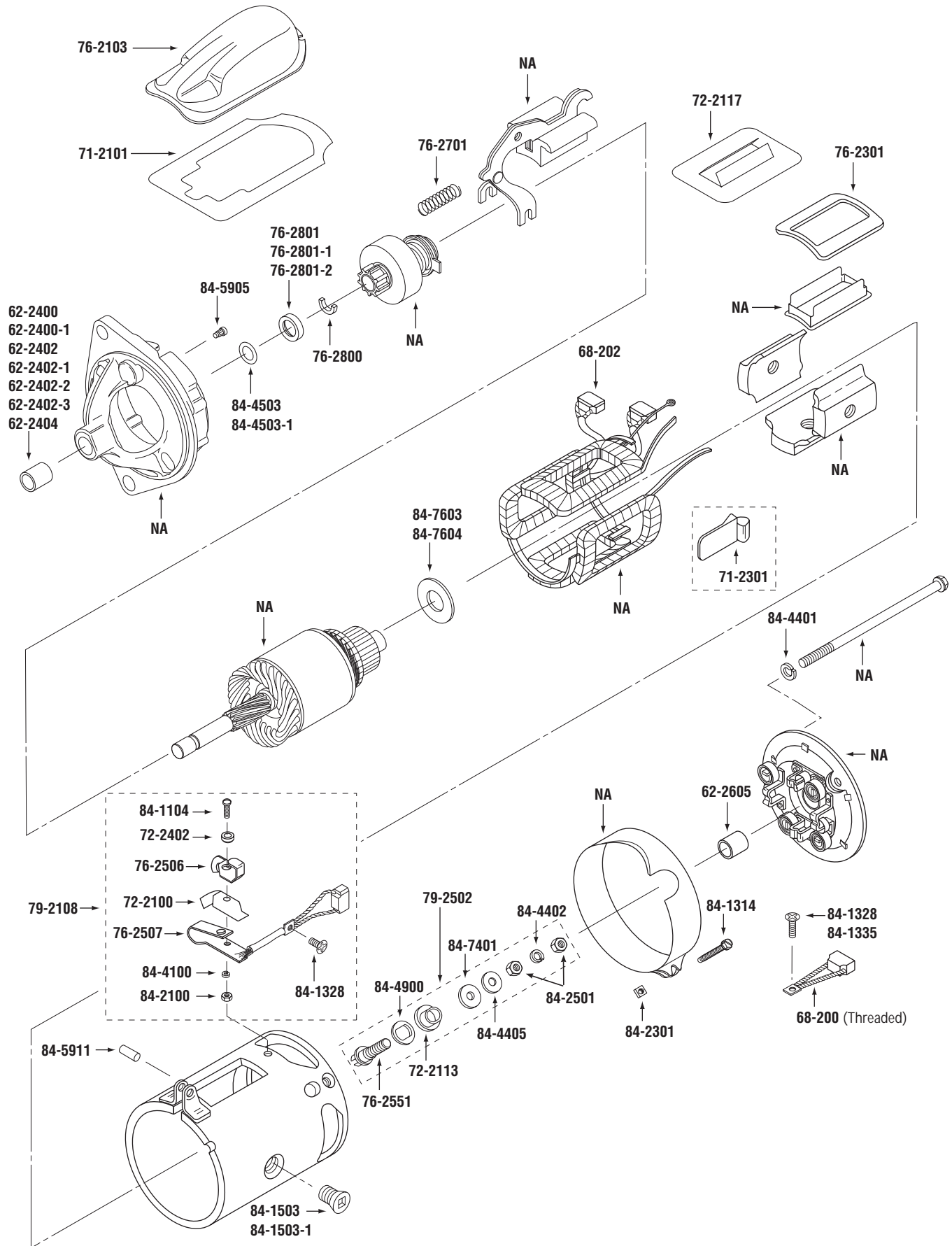
DELCO SD210, SD260 SERIES

DELCO SD210, SD260 SERIES



WAI No.	Description	WAI No.	Description
4-324	STARTER DRIVE (9-T, CW, 3-SPL, 69mm L, Accurate)	66-1705	MOVABLE CONTACT ASSY. - Solenoid (Round)
4-358	STARTER DRIVE (9-T, CW, 3-SPL, 69mm L, , Heavy Duty, Accurate)	66-1706	MOVABLE CONTACT ASSY. - Solenoid (Rectangular)
7-991-3T	SOLENOID - w/ Mtg. Holes & Screws for PG200/250 Strs. (M8 x 1.25 Batt. Term., Accurate)	66-1807	INSULATOR - Solenoid Movable Contact Assy.
7-991SD	SOLENOID - wo/ Mtg. Holes & Screws (M8 x 1.25 Batt. Term., Accurate)	66-1808	RETAINER - Solenoid Movable Contact Assy.
8-118	NEEDLE BEARING - D.E., C.E. (11mm ID x 16mm OD x 12.7mm W)	66-2757	INSULATOR - Solenoid Movable Contact
51-105-3	D.E. HOUSING (10mm Pad Mtg., No Shim, w/ Bushing)	68-137	BRUSH - Grd.
51-105-4	D.E. HOUSING (10mm Pad Mtg., No Shim, wo/ Bushing)	68-137-3	BRUSH - Grd.
51-110-3	D.E. HOUSING (10mm Pad Mtg., No Shim, w/ 8-118 Ndl. Brg.)	68-138	BRUSH - Field (w/ Clip)
51-110-4	D.E. HOUSING (10mm Pad Mtg., No Shim, wo/ Ndl. Brg.)	68-138-1	BRUSH - Field (wo/ Clip)
51-123-3	D.E. HOUSING (10mm Pad Mtg., No Shim, w/ Bushing.)	68-138-3	BRUSH - Field (w/ Clip)
51-123-4	D.E. HOUSING (10mm Pad Mtg., No Shim, wo/ Bushing.)	68-138-4	BRUSH - Field (wo/ Clip)
51-170-3	D.E. HOUSING (10mm Pad Mtg. w/ 8-118 Ndl. Brg.)	69-109	BRUSH HOLDER ASSY.
51-170-4	D.E. HOUSING (10mm Pad Mtg. wo/ Ndl. Brg.)	69-1708	BRUSH SPRING
51-1105	D.E. HOUSING (10mm Pad Mtg., No Shim, w/ 8-118 Ndl. Brg.)	71-1307	GROMMET - Motor Lead
51-1105-2	D.E. HOUSING (10mm Pad Mtg., No Shim, wo/ Ndl. Brg.)	71-1323	DRAIN TUBE - Field Case
52-100	C.E. FRAME (w/ 12.01mm ID Bushing)	71-1324	PLUG - Field Case
52-118	C.E. FRAME (w/ 8-118 Ndl. Brg.)	71-1325	PLUG - Shift Lever Support
54-149-5	STARTER DRIVE (9-T, CW, 3-SPL)	71-1326	GROMMET - 5MT Field Case Assy. Conversion
55-115	SHIFT LEVER	71-1504	O-RING - Soln. Batt., Motor Terms. (6mm ID x 10mm OD x 1.8mm W)
59-146	FIELD COIL	76-1111	CLAMP - Solenoid
61-132	ARMATURE - Used w/ Ndl. Brgs (Ref# 2214)	76-1305	MOUNTING SHIM (.40mm T, Straight)
61-139	ARMATURE - Used w/ Bushings	76-1307	RETAINER - Field Coil (2.58 L)
61-1200-1	COMMUTATOR - Armature (27 Bars, 18.85mm ID x 56.39mm OD x 2.67mm Slot Width)	76-1308	SHIELD - D.E. Hsg.
62-1402	BUSHING - D.E., C.E. (.4730 ID x .5195 OD x .500 L)	76-1309	MOUNTING SHIM (1.0mm T, Offset)
62-1402-1	BUSHING - D.E., C.E. (1X-Undersize, .4705 ID x .5195 OD x .500 L)	76-1310	MOUNTING SHIM (2.0mm T, Straight)
62-1402-2	BUSHING - D.E., C.E. (2X-Undersize, .4680 ID x .5195 OD x .500 L)	76-1311	MOUNTING SHIM (2.0mm T, Offset)
62-1402-8	BUSHING - D.E., C.E. (Split Type, .4730 ID x .5195 OD x .500 L)	76-1586	STATIONARY CONTACT - Soln. Battery Term. (M8 x 1.25 x 33mm L)
62-1404	CONVERSION BUSHING - D.E. (.4726 ID x .6265 OD x .500 L)	76-1587	STATIONARY CONTACT - Soln. Motor Term. (M8 x 1.25 x 31.5mm L)
62-1407	CONVERSION BUSHING - D.E. (.4395 ID x .5196 OD x .500 L)	76-1616	LEAD - Field Coil to Soln.
62-1408	CONVERSION BUSHING - D.E., Replaces Ndl. Brg. (.4396 ID x .6265 OD x .500 L)	76-1800	STOP COLLAR (12mm ID x 17.3mm OD)
62-1408-1	CONVERSION BUSHING - D.E., Replaces Ndl. Brg. (1X-Undersize, .4371 ID x .6265 OD x .500 L)	76-1800-1	STOP COLLAR (12mm ID, Mfd. By OE Supplier)
66-121-1	SOLENOID - wo/ Mtg. Holes & Screws (M8 x 1.25 Batt. Term.)	76-1801	RETAINING RING - Stop Collar (7/16 ID)
66-121-3	SOLENOID - w/ Mtg. Holes & Screws for PG200/250 Strs. (M8 x 1.25 Batt. Term.)	76-1855	THRUST COLLAR - D.E. (12mm ID x 19mm OD)
66-1212	SOLENOID CAP ASSY. (M8 x 1.25 Batt. Term.)	79-1157	MOUNTING SHIM KIT (76-1305 Shims, Gauge Pin & Instructions)
66-1220-1	SOLENOID REPAIR KIT (Aftermarket Design w/ Solid Motor Term.)	84-1325	SCREW - Brush Holder (10-32 x 3/8 L, Slotted Hex, Thd. Cut.)
66-1226	SOLENOID CAP ASSY. (Aftermarket Design w/ Solid Motor Term.)	84-1342	THRU BOLT (10-24 x 5-1/4 L)
66-1554	PLUNGER SPRING - Plunger	84-1343	THRU BOLT (10-24 x 5-1/4 L w/ 10-24 x 1/2 L Ext.)
66-1609	PLUNGER - Solenoid	84-1441	SCREW - Soln. Mtg. (1/4-20 x 1 L, E8 Torx, Thd. Form.)
		84-4309	LOCK WASHER - Soln. Switch Term. (#10 ID, Split)
		84-4402	LOCK WASHER - Soln. Batt., Motor Terms. (5/16 ID, Split)
		84-7605	BRAKE WASHER - C.E. (1/2 ID x 1-5/16 OD, Leather)
		85-2304	HEX NUT - Soln. Switch Term. (M5 x 0.8 x 8mm F x 3.8mm T)
		85-2401	HEX NUT - Soln. Batt., Motor Terms. (M8 x 1.25 x 13mm F x 5mm T)
		89-273	GREASE - Solenoid Plunger Bore (1 oz. Tube)
		89-276	GREASE - Solenoid Plunger Bore (1 lb. Container)

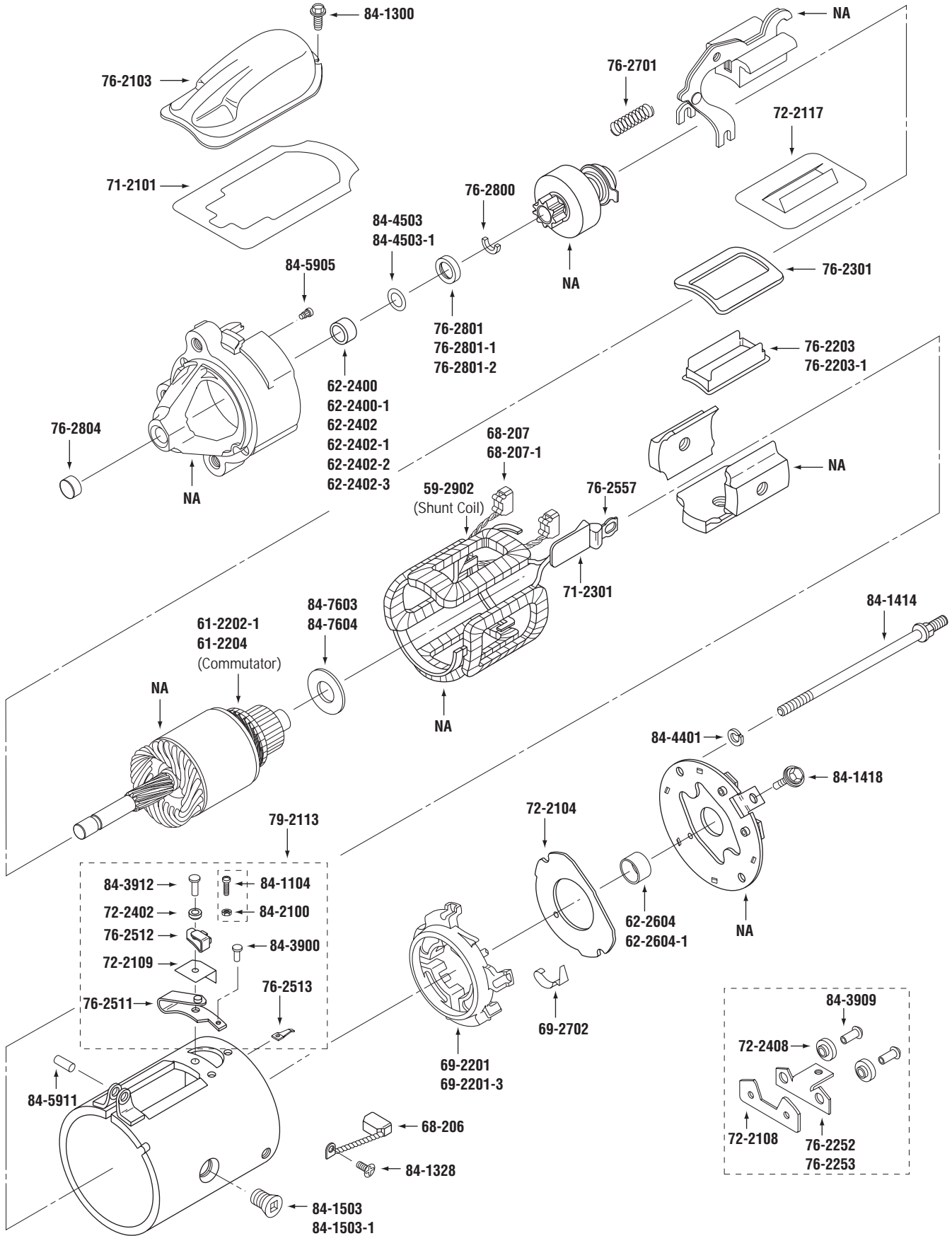




WAI No.	Description
62-2400	BUSHING - D.E. (.4725 ID x .5955 OD x .735 L)
62-2400-1	BUSHING - D.E. (1X-Undersize, .4700 ID x .5955 OD x .735 L)
62-2402	BUSHING - D.E. (.4740 ID x .5955 OD x .400 L)
62-2402-1	BUSHING - D.E. (1X-Undersize, .4705 ID x .5955 OD x .400 L)
62-2402-2	BUSHING - D.E. (2X-Undersize, .4690 ID x .5955 OD x .400 L)
62-2402-3	BUSHING - D.E. (3X-Undersize, .4640 ID x .5955 OD x .400 L)
62-2404	BUSHING - D.E. (.4730 ID x .5170 OD x .613 L)
62-2605	BUSHING - C.E. (.6280 ID x .6900 OD x .562 L)
68-200	BRUSH - Grd., Ref# F-35 (10-32 Threaded Term.)
68-202	BRUSH - Field, Ref# F-34U
71-2101	GASKET - Shift Lever Cover
71-2301	GROMMET - Field Coil
72-2100	INSULATOR - Contact Post
72-2113	INSULATOR - Terminal Post
72-2117	INSULATOR - Field Coil Repair
72-2402	INSULATOR - Contact Post (No. 5 ID)
76-2103	COVER - Shift Lever
76-2301	RETAINER - Field Coil
76-2506	CONTACT POST
76-2507	CONTACT SPRING W/ BRUSH
76-2551	TERMINAL POST (5/16-24 x 1-1/4)
76-2701	SPRING - Shift Lever Return
76-2800	STOP RING - Str. Drive
76-2801	STOP COLLAR
76-2801-1	STOP COLLAR (Stamped & Heat Treated)
76-2801-2	STOP COLLAR (Machined & Heat Treated)
79-2108	CONTACT KIT - Strs. w/ Side Term.
79-2502	TERMINAL KIT (5/16-24)
84-1104	SCREW - Contact Assy. (5-40 x 1/2 L, Slotted)
84-1314	SCREW - Cover Band (10-32 x 1-1/2 L, Slotted Hex)
84-1328	SCREW - Grd. Brush (10-32 x 7/16 L, Phillips)
84-1335	SCREW - Grd. Brush (10-32 x 5/8 L, Phillips, Thd. Cut.)
84-1503	SCREW - Pole Shoe (7/16-14 x 5/8 L, Square Drive)
84-1503-1	SCREW - Pole Shoe (7/16-14 x 5/8 L, Phillips)
84-2100	HEX NUT - Contact Assy. (5-40 x 1/4 F x 3/32 T)
84-2301	SQUARE NUT - Cover Band (10-32 x 3/8 F x 1/8 T)
84-2501	HEX NUT - Field Coil Term. (5/16-24 x 1/2 F x 3/16 T)
84-4100	LOCK WASHER - Contact Assy. (#5 ID, Split)
84-4401	LOCK WASHER - Thru Bolt (1/4 ID, Split)
84-4402	LOCK WASHER - Field Coil Term. (5/16 ID, Split)
84-4405	FLAT WASHER - Field Coil Term. (5/16 ID)
84-4503	THRUST WASHER - D.E. (15/32 ID x 23/32 OD, Steel)
84-4503-1	THRUST WASHER - D.E. (15/32 ID x 11/16 OD, Steel)
84-4900	FLAT WASHER - Field Coil Term. (5/16 ID, Oval Hole)
84-5905	SOLID PIN - D.E. Hsg. to Field Case (1/8 Dia. x 3/16)
84-5911	SOLID PIN - Shift Lever (1/4 Dia. x 11/16 L)
84-7401	INSULATING WASHER - Field Coil Term. (5/16 ID)
84-7603	BRAKE WASHER - C.E. (5/8 ID x 1-3/8 OD, Wax-Coated Leather)
84-7604	THRUST WASHER - C.E. (5/8 ID x 1-1/8 OD, Fiber)

FORD 4" MOD I

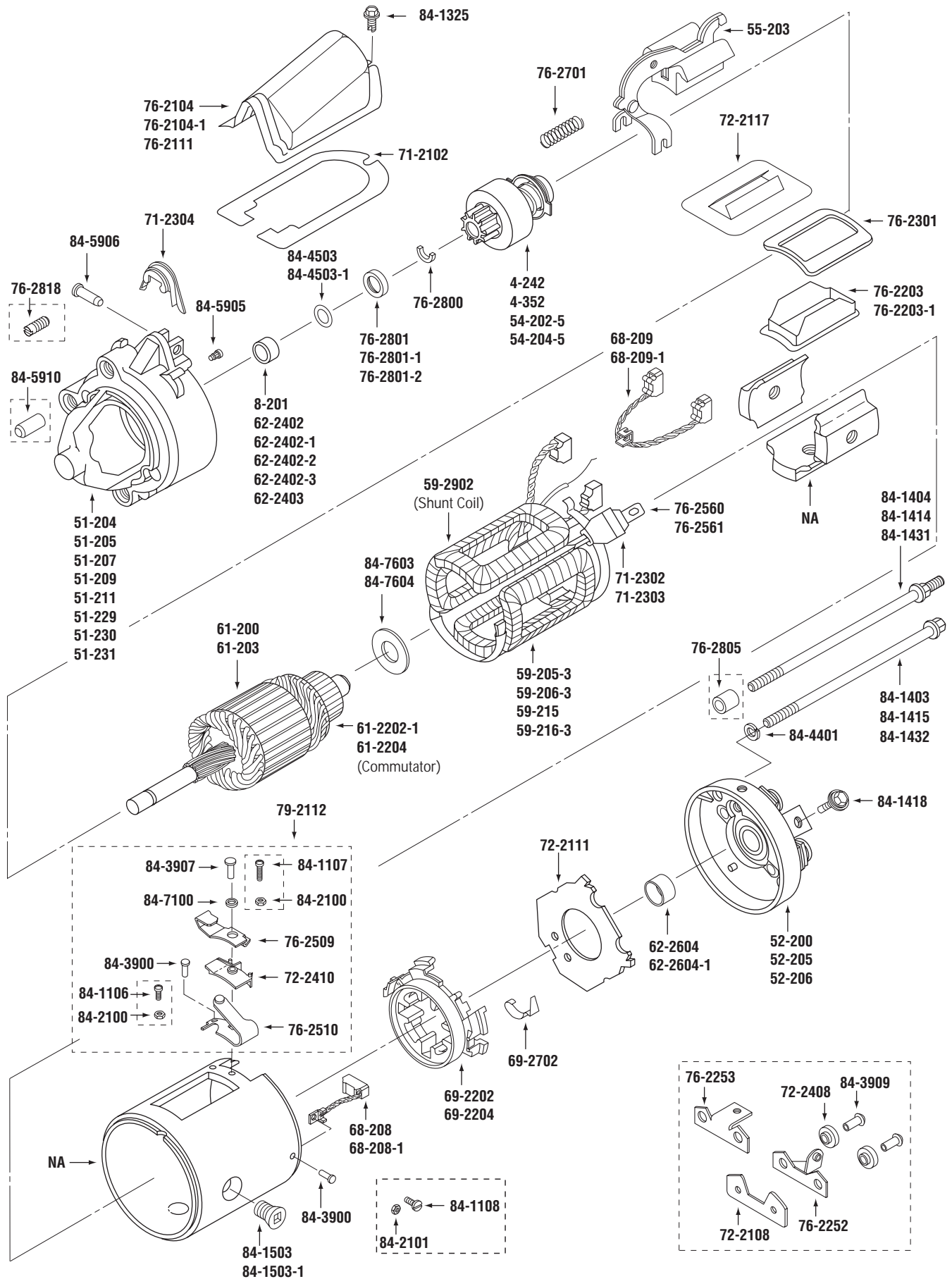
FORD 4" MOD I



WAI No.	Description	WAI No.	Description
59-2902	SHUNT COIL	76-2252	SUPPORT BRACKET - C.E. Frame (Angle)
61-2202-1	COMMUTATOR - Armature (25 Bars, 15.95mm ID x 57.15mm OD x 2.67mm Slot Width)	76-2253	SUPPORT BRACKET - C.E. Frame (Straight)
61-2204	COMMUTATOR - Armature (25 Bars, 15.88mm ID x 55.19mm OD x 2.67mm Slot Width)	76-2301	RETAINER - Field Coil
62-2400	BUSHING - D.E. (.4725 ID x .5955 OD x .735 L)	76-2511	CONTACT SPRING
62-2400-1	BUSHING - D.E. (1X-Undersize, .4700 ID x .5955 OD x .735 L)	76-2512	CONTACT POST
62-2402	BUSHING - D.E. (.4740 ID x .5955 OD x .400 L)	76-2513	TERMINAL - Contact Assy.
62-2402-1	BUSHING - D.E. (1X-Undersize, .4705 ID x .5955 OD x .400 L)	76-2557	FIELD COIL TERMINAL (Straight)
62-2402-2	BUSHING - D.E. (2X-Undersize, .4690 ID x .5955 OD x .400 L)	76-2701	SPRING - Shift Lever Return
62-2402-3	BUSHING - D.E. (.0075 3X-Undersize, .4640 ID x .5955 OD x .400 L)	76-2800	STOP RING - Str. Drive
62-2604	BUSHING - C.E. (.6284 ID x .7525 OD x .430 L)	76-2801	STOP COLLAR
62-2604-1	BUSHING - C.E. (1X-Undersize, .6259 ID x .7525 OD x .430 L)	76-2801-1	STOP COLLAR (Stamped & Heat Treated)
68-206	BRUSH - Grd., Ref# F-58	76-2801-2	STOP COLLAR (Machined & Heat Treated)
68-207	BRUSH - Field, Ref# F-59U (w/ Clip)	76-2804	CUP - D.E. Hsg.
68-207-1	BRUSH - Field, Ref# F-59U (wo/ Clip)	79-2113	CONTACT KIT
69-2201	BRUSH HOLDER	84-1104	SCREW - Contact Assy. (5-40 x 1/2 L, Slotted)
69-2201-3	BRUSH HOLDER	84-1300	SCREW - Shift Lever Cover (10-32 x 1/2 L, Hex)
69-2702	BRUSH SPRING	84-1328	SCREW - Grd. Brush (10-32 x 7/16 L, Phillips)
71-2101	GASKET - Shift Lever Cover	84-1414	THRU BOLT (1/4-20 x 5-7/8 L w/ 1/4-20 x 3/4 L Ext.)
71-2301	GROMMET - Field Coil	84-1418	SCREW - C.E. Bracket (1/4-20 x 7/8 L, Hex, w/ Att. Flat Washer)
72-2104	INSULATOR - Brush Holder	84-1503	SCREW - Pole Shoe (7/16-14 x 5/8 L, Square Drive)
72-2108	INSULATOR - C.E. Bracket	84-1503-1	SCREW - Pole Shoe (7/16-14 x 5/8 L, Phillips)
72-2109	INSULATOR - Contact Post	84-2100	HEX NUT - Contact Assy. (5-40 x 1/4 F x 3/32 T)
72-2117	INSULATOR - Field Coil Repair	84-3900	RIVET - Contact Assy. (1/8 Dia. x 13/32 L, Copper)
72-2402	INSULATOR - Contact Post (No. 5 ID)	84-3909	RIVET - C.E. Bracket (3/16 Dia. x 15/32 L, Semi-Tubular)
72-2408	INSULATOR - C.E. Bracket Rivet	84-3912	RIVET - Contact Assy. (1/8 Dia. x 17/32 L, Semi-Tubular)
76-2103	COVER - Shift Lever	84-4401	LOCK WASHER - Thru Bolt (1/4 ID, Split)
76-2203	RETAINING SLEEVE - Shunt Coil (Stainless Steel)	84-4503	THRUST WASHER - D.E. (15/32 ID x 23/32 OD, Steel)
76-2203-1	RETAINING SLEEVE - Shunt Coil (Aluminum)	84-4503-1	THRUST WASHER - D.E. (15/32 ID x 11/16 OD, Steel)
		84-5905	SOLID PIN - D.E. Hsg. to Field Case (1/8 Dia. x 3/16)
		84-5911	SOLID PIN - Shift Lever (1/4 Dia. x 11/16 L)
		84-7603	BRAKE WASHER - C.E. (5/8 ID x 1-3/8 OD, Wax-Coated Leather)
		84-7604	THRUST WASHER - C.E. (5/8 ID x 1-1/8 OD, Fiber)

FORD 4" MOD II

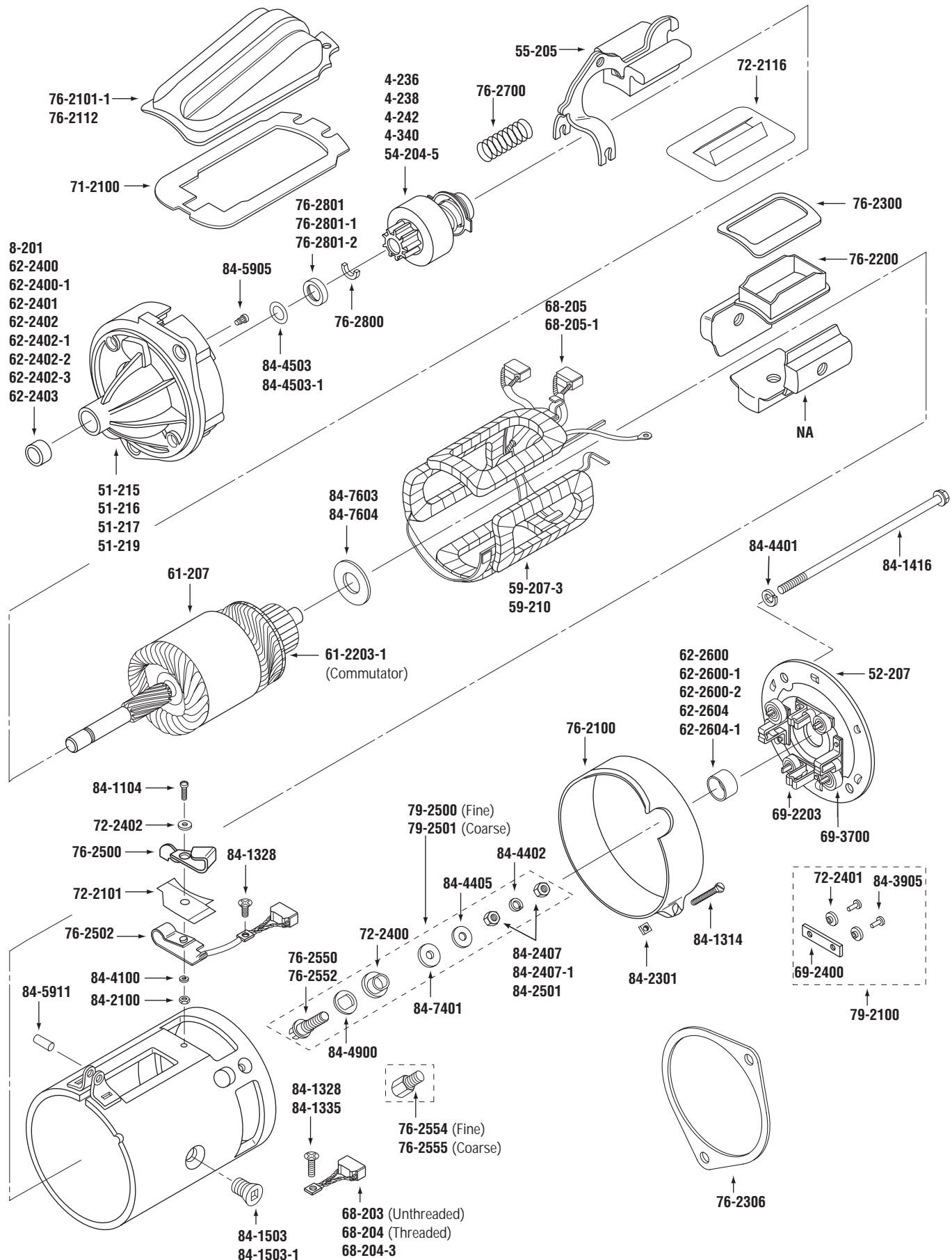
FORD 4" MOD II



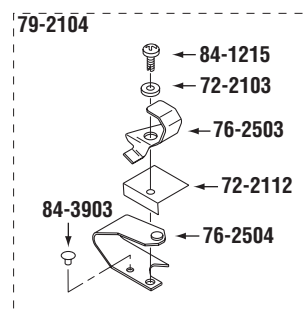
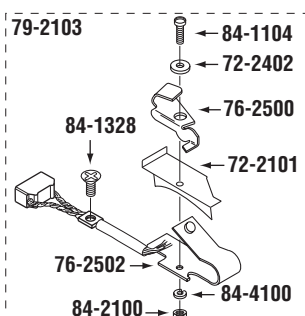
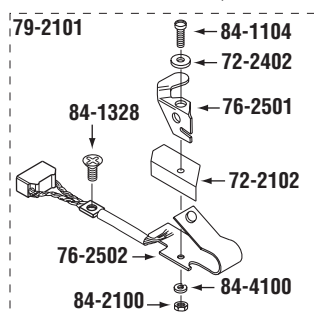
WAI No.	Description	WAI No.	Description
4-242	STARTER DRIVE (9-T, CW, 4-SPL, 72mm L, Accurate)	72-2117	INSULATOR - Field Coil Repair
4-352	STARTER DRIVE (9-T, CW, 4-SPL, 70mm L, Accurate)	72-2408	INSULATOR - C.E. Bracket Rivet
8-201	NEEDLE BEARING - D.E. (12mm ID x 16mm OD x 10mm W)	72-2410	INSULATOR - Contact Post
51-204	D.E. HOUSING (M10 x 1.50 3-Ear Flg. Mtg.)	76-2104	COVER - Shift Lever (Centered Mtg. Hole)
51-205	D.E. HOUSING (10mm 2-Ear Flg. Mtg. w/ Bushing)	76-2104-1	COVER (Centered Mtg. Hole, Rust Resistant, Galvanized Steel)
51-207	D.E. HOUSING - AMC (3/8 Pad Mtg.)	76-2111	COVER - Shift Lever (Offset Mtg. Hole)
51-209	D.E. HOUSING (11mm 3-Ear Flg. Mtg.)	76-2203	RETAINING SLEEVE - Shunt Coil (Stainless Steel)
51-211	D.E. HOUSING (10mm 2-Ear Flg. Mtg.)	76-2203-1	RETAINING SLEEVE - Shunt Coil (Aluminum)
51-229	D.E. HOUSING (10mm 2-Ear Flg. Mtg.)	76-2252	SUPPORT BRACKET - C.E. Frame (Angle)
51-230	D.E. HOUSING (M10 x 1.50, Locating Dowel 3-Ear Flg. Mtg.)	76-2253	SUPPORT BRACKET - C.E. Frame (Straight)
51-231	D.E. HOUSING (M10 x 1.50 3-Ear Flg. Mtg.)	76-2301	RETAINER - Field Coil
52-200	C.E. FRAME (Shallow w/ Straight Term. Bracket)	76-2509	CONTACT POST
52-205	C.E. FRAME (Deep w/ Straight Term. Bracket)	76-2510	CONTACT SPRING
52-206	C.E. FRAME (Shallow w/ Angle Term. Bracket)	76-2560	FIELD COIL TERMINAL (Angle)
54-202-5	STARTER DRIVE (9-T, CW, 4-SPL, 70mm L)	76-2561	FIELD COIL TERMINAL (Straight)
54-204-5	STARTER DRIVE (9-T, CW, 4-SPL, 72mm L)	76-2701	SPRING - Shift Lever Return
55-203	SHIFT LEVER	76-2800	STOP RING - Str. Drive
59-205-3	FIELD COIL - Strs. w/ Deep C.E. Cover (Straight Term.)	76-2801	STOP COLLAR
59-206-3	FIELD COIL - Strs. w/ Shallow C.E. Cover (Angle Term.)	76-2801-1	STOP COLLAR (Stamped & Heat Treated)
59-215	FIELD COIL - Strs. w/ Shallow C.E. Cover (High Torque, Angle Term.)	76-2801-2	STOP COLLAR (Machined & Heat Treated)
59-216-3	FIELD COIL - Strs. w/ Shallow C.E. Cover (High Torque, Straight Term.)	76-2805	SPACER - Thru Bolt
59-2902	SHUNT COIL	76-2818	LOCATING DOWEL PIN - Converts 51-204 to replace 51-230 D.E. Hsg. w/ Locating Dowel. (M10 x 1.5 Dowel)
61-200	ARMATURE - Strs. w/ Deep C.E. Cover (Ref# 2112)	79-2112	CONTACT KIT
61-203	ARMATURE - Strs. w/ Shallow C.E. Cover (Ref# 2118)	84-1106	SCREW - Contact Spring (5-40 x 3/8 L, Slotted)
61-2202-1	COMMUTATOR - Armature (25 Bars, 15.95mm ID x 57.15mm OD x 2.67mm Slot Width)	84-1107	SCREW - Contact Assy (5-40 x 9/16 L, Slotted)
61-2204	COMMUTATOR - Armature (25 Bars, 15.88mm ID x 55.19mm OD x 2.67mm Slot Width)	84-1108	SCREW - Grd. Brush (6-32 x 3/8 L, Slotted)
62-2402	BUSHING - D.E. (.4740 ID x .5955 OD x .400 L)	84-1325	SCREW - Shift Lever Cover (10-32 x 3/8 L, Slotted Hex, Thd. Cut.)
62-2402-1	BUSHING - D.E. (1X-Undersize, .4705 ID x .5955 OD x .400 L)	84-1403	THRU BOLT (1/4-20 x 6-3/8 L)
62-2402-2	BUSHING - D.E. (2X-Undersize, .4690 ID x .5955 OD x .400 L)	84-1404	THRU BOLT (1/4-20 x 6-3/16 L w/ 1/4-20 x 3/4 L Ext.)
62-2402-3	BUSHING - D.E. (.0075 3X-Undersize, .4640 ID x .5955 OD x .400 L)	84-1414	THRU BOLT (1/4-20 x 5-7/8 L w/ 1/4-20 x 3/4 L Ext.)
62-2403	BUSHING - D.E., Replaces Needle Brg. (.4725 ID x .6313 OD x .400 L)	84-1415	THRU BOLT (1/4-20 x 5-15/16 L)
62-2604	BUSHING - C.E. (.6284 ID x .7525 OD x .430 L)	84-1418	SCREW - C.E. Bracket (1/4-20 x 7/8 L, Hex, w/ Att. Flat Washer)
62-2604-1	BUSHING - C.E. (1X-Undersize, .6259 ID x .7525 OD x .430 L)	84-1431	THRU BOLT (1/4-20 x 6-3/16 L w/ 1/4-20 x 3/4 L Ext., w/ Insulating Tubing)
68-208	BRUSH - Grd., Ref# F-62 (Unthreaded)	84-1432	THRU BOLT (1/4-20 x 5-15/16 L, w/ Insulating Tubing)
68-208-1	BRUSH - Grd., Ref# F-62T (6-32 Threaded Term.)	84-1503	SCREW - Pole Shoe (7/16-14 x 5/8 L, Square Drive)
68-209	BRUSH - Field, Ref# F-61U (w/ Clip)	84-1503-1	SCREW - Pole Shoe (7/16-14 x 5/8 L, Phillips)
68-209-1	BRUSH - Field, Ref# F-61U (wo/ Clip)	84-2100	HEX NUT - Contact Assy. (5-40 x 1/4 F x 3/32 T)
69-2202	BRUSH HOLDER - Strs. w/ Shallow C.E. Cover	84-2101	HEX NUT - Grd. Brush (6-32 x 5/16 F x 1/8 T)
69-2202-3	BRUSH HOLDER - Strs. w/ Shallow C.E. Cover	84-3900	RIVET - Grd. Brush & Contact Assy. (1/8 Dia. x 13/32 L, Copper)
69-2204	BRUSH HOLDER - Strs. w/ Deep C.E. Cover	84-3907	RIVET - Contact Assy. (1/8 Dia. x 1/2 L, Semi-Tubular)
69-2702	BRUSH SPRING	84-3909	RIVET - C.E. Bracket (3/16 Dia. x 15/32 L, Semi-Tubular)
71-2102	GASKET - Shift Lever Cover	84-4401	LOCK WASHER - Thru Bolt (1/4 ID, Split)
71-2302	GROMMET - Field Coil (Long)	84-4503	THRUST WASHER - D.E. (15/32 ID x 23/32 OD, Steel)
71-2303	GROMMET - Field Coil (Short)	84-4503-1	THRUST WASHER - D.E. (15/32 ID x 11/16 OD, Steel)
71-2304	SEAL - Shift Lever Cover	84-5905	SOLID PIN - D.E. Hsg. to Field Case (1/8 Dia. x 3/16)
72-2108	INSULATOR - C.E. Bracket	84-5906	SHIFT LEVER PIN - Shift Lever (1/4 Dia. x 13/16)
72-2111	INSULATOR - Brush Holder	84-5910	LOCATING DOWEL PIN - D.E. (3/8 Dia. x 1 L)
		84-7100	INSULATING WASHER - Contact Assy. (#5 ID)
		84-7603	BRAKE WASHER - C.E. (5/8 ID x 1-3/8 OD, Wax-Coated Leather)
		84-7604	THRUST WASHER - C.E. (5/8 ID x 1-1/8 OD, Fiber)

FORD 4-1/2"

FORD 4-1/2"



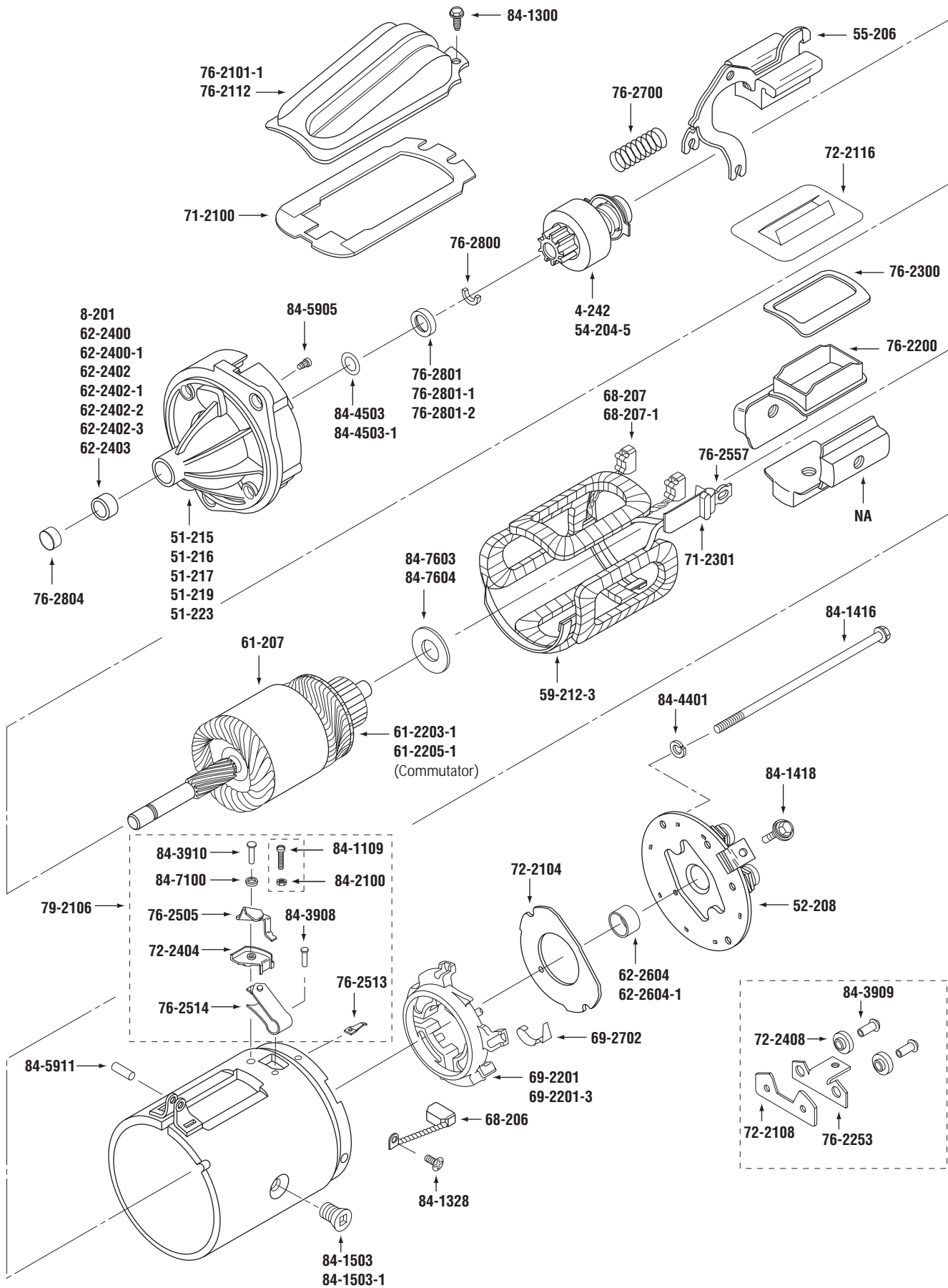
WAI No.	Description	WAI No.	Description
4-236	STARTER DRIVE (9-T, CW, 4-SPL, 72mm L, Accurate)	76-2200	RETAINING SLEEVE - Shunt Coil
4-238	STARTER DRIVE (10-T, CW, 3-SPL, 77mm L, Accurate)	76-2300	RETAINER - Field Coil
4-242	STARTER DRIVE (9-T, CW, 4-SPL, 72mm L, Accurate)	76-2306	MOUNTING SHIM - 2 & 3-Hole D.E. Hsgs. (.090 T)
4-340	STARTER DRIVE - Soln. Actuated Strs. (9-T, CW, 3-SPL, 72mm L, Accurate)	76-2500	CONTACT POST
8-201	NEEDLE BEARING - D.E. (12mm ID x 16mm OD x 10mm W)	76-2501	CONTACT POST
51-215	D.E. HOUSING (3/8-16 2-Ear Flg. Mtg.)	76-2502	CONTACT SPRING W/ BRUSH
51-216	D.E. HOUSING (3/8 3-Ear Flg. Mtg.)	76-2503	CONTACT POST
51-217	D.E. HOUSING (3/8 2-Ear Flg. Mtg.)	76-2504	CONTACT SPRING
51-219	D.E. HOUSING (3/8 2-Ear Flg. Mtg.)	76-2550	TERMINAL POST (5/16-18)
52-207	C.E. FRAME	76-2552	TERMINAL POST (5/16-24)
54-204-5	STARTER DRIVE (9-T, CW, 4-SPL, 72mm L)	76-2554	TERMINAL REPAIR POST - Field Coil Term. (5/16-24)
55-205	SHIFT LEVER	76-2555	TERMINAL REPAIR POST - Field Coil Term. (5/16-18)
59-207-3	FIELD COIL	76-2700	SPRING - Shift Lever Return
59-210	FIELD COIL - Soln. Actuated Strs.	76-2800	STOP RING - Str. Drive
61-207	ARMATURE (Ref# 2000)	76-2801	STOP COLLAR
61-2203-1	COMMUTATOR - Armature (25 Bars, 15.95mm ID x 60mm OD x 3.3mm Slot Width)	76-2801-1	STOP COLLAR (Stamped & Heat Treated)
62-2400	BUSHING - D.E. (.4725 ID x .5955 OD x .735 L)	76-2801-2	STOP COLLAR (Machined & Heat Treated)
62-2400-1	BUSHING - D.E. (1X-Undsz, .4700 ID x .5955 OD x .735 L)	79-2100	INSULATING KIT - Brush Holder
62-2401	BUSHING - D.E. (.4730 ID x .5170 OD x .720 L)	79-2101	CONTACT KIT
62-2402	BUSHING - D.E. (.4740 ID x .5955 OD x .400 L)	79-2103	CONTACT KIT
62-2402-1	BUSHING - D.E. (1X-Undsz, .4705 ID x .5955 OD x .400 L)	79-2104	CONTACT KIT
62-2402-2	BUSHING - D.E. (2X-Undsz, .4690 ID x .5955 OD x .400 L)	79-2500	TERMINAL KIT (5/16-24, Fine Thread)
62-2402-3	BUSHING - D.E. (.0075 3X-Undsz, .4640 ID x .5955 OD x .400 L)	79-2501	TERMINAL KIT (5/16-18, Coarse Thread)
62-2403	BUSHING - D.E., Replaces Needle Brg. (.4725 ID x .6313 OD x .400 L)	84-1104	SCREW - Contact Assy. (5-40 x 1/2 L, Slotted)
62-2600	BUSHING - C.E. (.6284 ID x .7525 OD x .600 L)	84-1215	SCREW - Contact Assy. (8-32 x 1/2 L, Phillips, Thd. Cut.)
62-2600-1	BUSHING - C.E. (1X Undsz, .6258 ID x .7525 OD x .600 L)	84-1314	SCREW - Cover Band (10-32 x 1-1/2 L, Slotted Hex)
62-2600-2	BUSHING - C.E. (2X Undsz, .6234 ID x .7525 OD x .600 L)	84-1328	SCREW - Grd. Brush (10-32 x 7/16 L, Phillips)
62-2604	BUSHING - C.E. (.6284 ID x .7525 OD x .430 L)	84-1335	SCREW - Grd. Brush (10-32 x 5/8 L, Phillips, Thd. Cut.)
62-2604-1	BUSHING - C.E. (1X-Undsz, .6259 ID x .7525 OD x .430 L)	84-1416	THRU BOLT (1/4-20 x 6-5/8 L)
68-203	BRUSH - Grd., Ref# F-5 (Unthreaded)	84-1503	SCREW - Pole Shoe (7/16-14 x 5/8 L, Square Drive)
68-204	BRUSH - Grd., Ref# F-5T (10-32 Threaded Term.)	84-1503-1	SCREW - Pole Shoe (7/16-14 x 5/8 L, Phillips)
68-204-3	BRUSH - Grd., Ref# F-5T (10-32 Threaded Term.)	84-2100	HEX NUT - Contact Assy. (5-40 x 1/4 F x 3/32 T)
68-205	BRUSH - Field, Ref# F-40U (w/ Clip)	84-2301	SQUARE NUT - Cover Band (10-32 x 3/8 F x 1/8 T)
68-205-1	BRUSH - Field, Ref# F-40A (wo/ Clip)	84-2407	HEX NUT - Field Coil Term. (5/16-18 x 1/2 F x 3/16 T, Zinc Plated)
69-2203	BRUSH HOLDER	84-2407-1	HEX NUT - Field Coil Term. (5/16-18 x 1/2 F x 1/4 T, Zinc Plated)
69-2400	INSULATOR - Brush Holder	84-2501	HEX NUT - Field Coil Term. (5/16-24 x 1/2 F x 3/16 T)
69-3700	BRUSH SPRING	84-3903	RIVET - Contact Assy. (1/8 Dia. x 1/4 L, Semi-Tubular)
71-2100	GASKET - Shift Lever Cover	84-3905	RIVET - Brush Holder (1/8 Dia. x 3/8 L, Semi-Tubular)
72-2101	INSULATOR - Contact Post	84-4100	LOCK WASHER - Contact Assy. (#5 ID, Split)
72-2102	INSULATOR - Contact Post	84-4401	LOCK WASHER - Thru Bolt (1/4 ID, Split)
72-2103	INSULATOR - Contact Post (No. 8 ID)	84-4402	LOCK WASHER - Field Coil Term. (5/16 ID, Split)
72-2112	INSULATOR - Contact Post	84-4405	FLAT WASHER - Field Coil Term. (5/16 ID)
72-2116	INSULATOR - Field Coil Repair	84-4503	THRUST WASHER - D.E. (15/32 ID x 23/32 OD, Steel)
72-2400	INSULATOR - Terminal Post	84-4503-1	THRUST WASHER - D.E. (15/32 ID x 11/16 OD, Steel)
72-2401	INSULATOR - Brush Holder (1/8 ID)	84-4900	FLAT WASHER - Field Coil Term. (5/16 ID, Oval Hole)
72-2402	INSULATOR - Contact Post (No. 5 ID)	84-5905	SOLID PIN - D.E. Hsg. to Field Case (1/8 Dia. x 3/16)
76-2100	COVER BAND	84-5911	SOLID PIN - Shift Lever (1/4 Dia. x 11/16 L)
76-2101-1	COVER - Shift Lever (Rust-Resistant, Galvanized Steel)	84-7401	INSULATING WASHER - Field Coil Term. (5/16 ID)
76-2112	COVER ASSY. - Shift Lever, Marine Strs.	84-7603	BRAKE WASHER - C.E. (5/8 ID x 1-3/8 OD, Wax-Coated Leather)
		84-7604	THRUST WASHER - C.E. (5/8 ID x 1-1/8 OD, Fiber)



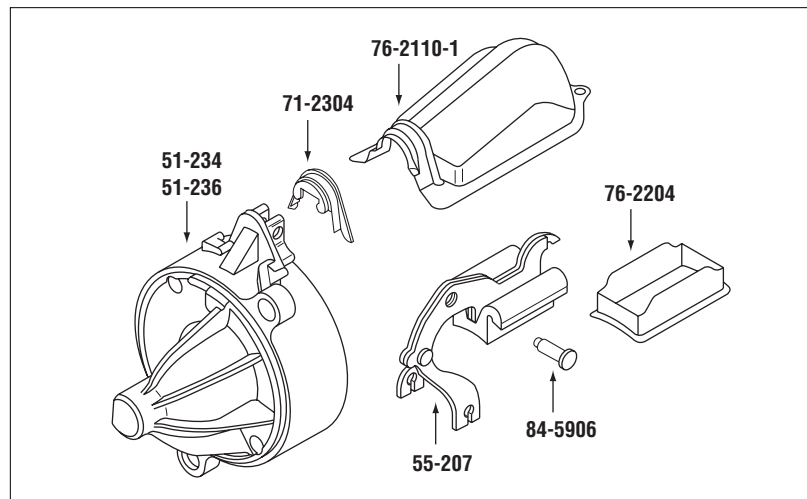
FORD 4-1/2"

FORD 4-1/2" MOD I, II

FORD 4-1/2" MOD I, II

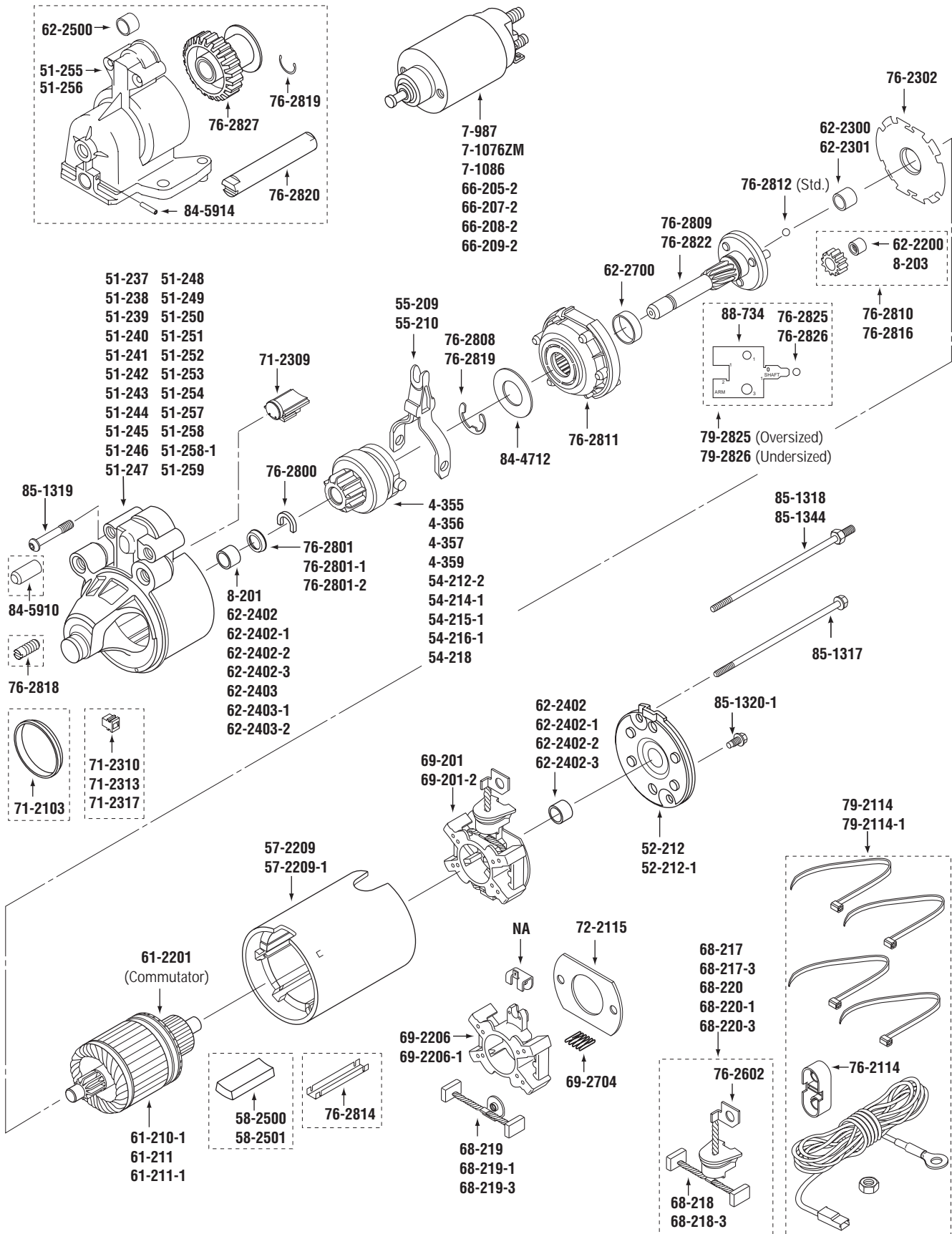


WAI No.	Description	WAI No.	Description
4-242	STARTER DRIVE (9-T, CW, 4-SPL, 72mm L, Accurate)	72-2108	INSULATOR - C.E. Bracket
8-201	NEEDLE BEARING - D.E. (12mm ID x 16mm OD x 10mm W)	72-2116	INSULATOR - Field Coil Repair
51-215	D.E. HOUSING (3/8-16 2-Ear Flg. Mtg.)	72-2404	INSULATOR - Contact Post
51-216	D.E. HOUSING (3/8 3-Ear Flg. Mtg.)	72-2408	INSULATOR - C.E. Bracket Rivet
51-217	D.E. HOUSING (3/8 2-Ear Flg. Mtg.)	76-2101-1	COVER - Shift Lever (Rust-Resistant, Galvanized Steel)
51-219	D.E. HOUSING (3/8 2-Ear Flg. Mtg.)	76-2110-1	COVER - Shift Lever, 4-1/2 Mod II Strs. (Rust-Resistant, Galvanized Steel)
51-223	D.E. HOUSING (3/8 2-Ear Flg. Mtg.)	76-2112	COVER ASSY. - Shift Lever, Marine Strs.
51-234	D.E. HOUSING - 4-1/2 Mod II Strs. (3/8 2-Ear Flg. Mtg.)	76-2200	RETAINING SLEEVE - Shunt Coil
51-236	D.E. HOUSING - 4-1/2 Mod II Strs. (3/8-16, 3/8 2-Ear Flg. Mtg.)	76-2204	RETAINING SLEEVE - Shunt Coil 4-1/2 Mod II Strs.
52-208	C.E. FRAME	76-2253	SUPPORT BRACKET - C.E. Frame (Straight)
54-204-5	STARTER DRIVE (9-T, CW, 4-SPL, 72mm L)	76-2300	RETAINER - Field Coil
55-206	SHIFT LEVER	76-2505	CONTACT POST
55-207	SHIFT LEVER - 4-1/2 Mod II Strs.	76-2513	TERMINAL - Contact Assy.
59-212-3	FIELD COIL	76-2514	CONTACT SPRING
61-207	ARMATURE (Ref# 2000)	76-2557	FIELD COIL TERMINAL (Straight)
61-2203-1	COMMUTATOR - Armature (25 Bars, 15.95mm ID x 60mm OD x 3.3mm Slot Width)	76-2700	SPRING - Shift Lever Return
61-2205-1	COMMUTATOR (25 Bars, 15.95mm ID x 60mm OD x 3.3mm Slot Width)	76-2800	STOP RING - Str. Drive
62-2400	BUSHING - D.E. (.4725 ID x .5955 OD x .735 L)	76-2801	STOP COLLAR
62-2400-1	BUSHING - D.E. (1X-Undersize, .4700 ID x .5955 OD x .735 L)	76-2801-1	STOP COLLAR (Stamped & Heat Treated)
62-2402	BUSHING - D.E. (.4740 ID x .5955 OD x .400 L)	76-2801-2	STOP COLLAR (Machined & Heat Treated)
62-2402-1	BUSHING - D.E. (1X-Undersize, .4705 ID x .5955 OD x .400 L)	76-2804	CUP - D.E. Hsg.
62-2402-2	BUSHING - D.E. (2X-Undersize, .4690 ID x .5955 OD x .400 L)	79-2106	CONTACT KIT
62-2402-3	BUSHING - D.E. (.0075 3X-Undersize, .4640 ID x .5955 OD x .400 L)	84-1109	SCREW - Contact Assy. (5-40 x 5/8 L, Slotted)
62-2403	BUSHING - D.E., Replaces Ndl. Brg. (.4725 ID x .6313 OD x .400 L)	84-1300	SCREW - Shift Lever Cover (10-32 x 1/2 L, Hex)
62-2604	BUSHING - C.E. (.6284 ID x .7525 OD x .430 L)	84-1328	SCREW - Grd. Brush (10-32 x 7/16 L, Phillips)
62-2604-1	BUSHING - C.E. (1X-Undersize, .6259 ID x .7525 OD x .430 L)	84-1416	THRU BOLT (1/4-20 x 6-5/8 L)
68-206	BRUSH - Grd., Ref# F-58	84-1418	SCREW - C.E. Bracket (1/4-20 x 7/8 L, Hex, w/ Att. Flat Washer)
68-207	BRUSH - Field, Ref# F-59U (w/ Clip)	84-1503	SCREW - Pole Shoe (7/16-14 x 5/8 L, Square Drive)
68-207-1	BRUSH - Field, Ref# F-59U (wo/ Clip)	84-1503-1	SCREW - Pole Shoe (7/16-14 x 5/8 L, Phillips)
69-2201	BRUSH HOLDER	84-2100	HEX NUT - Contact Assy. (5-40 x 1/4 F x 3/32 T)
69-2201-3	BRUSH HOLDER	84-3908	RIVET - Contact Spring (1/8 Dia. x 1/2 L, Copper)
69-2702	BRUSH SPRING	84-3909	RIVET - C.E. Bracket (3/16 Dia. x 15/32 L, Semi-Tubular)
71-2100	GASKET - Shift Lever Cover	84-3910	RIVET - Contact Post (1/8 Dia. x 9/16 L, Semi-Tubular)
71-2301	GROMMET - Field Coil	84-4401	LOCK WASHER - Thru Bolt (1/4 ID, Split)
71-2304	SEAL - Shift Lever Cover, 4-1/2 Mod II Strs.	84-4503	THRUST WASHER - D.E. (15/32 ID x 23/32 OD, Steel)
72-2104	INSULATOR - Brush Holder	84-4503-1	THRUST WASHER - D.E. (15/32 ID x 11/16 OD, Steel)
		84-5905	SOLID PIN - D.E. Hsg. to Field Case (1/8 Dia. x 3/16)
		84-5906	SHIFT LEVER PIN - Shift Lever, 4-1/2 Mod II Strs. (1/4 Dia. x 13/16)
		84-5911	SOLID PIN - Shift Lever (1/4 Dia. x 11/16 L)
		84-7100	INSULATING WASHER - Contact Assy. (#5 ID)
		84-7603	BRAKE WASHER - C.E. (5/8 ID x 1-3/8 OD, Wax-Coated Leather)
		84-7604	THRUST WASHER - C.E. (5/8 ID x 1-1/8 OD, Fiber)



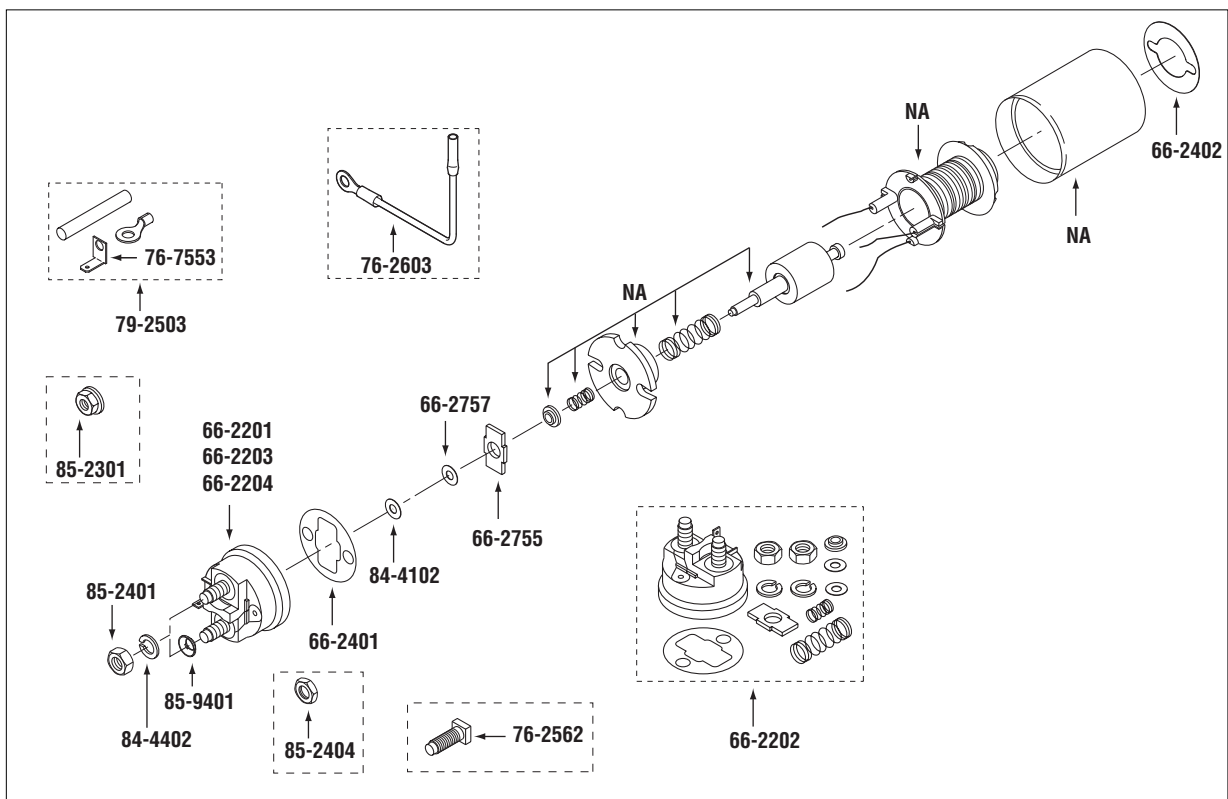
WAI No.	Description
6-100-2	BALL BEARING - Armature, C.E. (Dbl. Shielded)
6-100-4	BALL BEARING - Armature, C.E. (Dbl. Sealed)
6-100-4N	BALL BEARING - Armature, C.E. (Dbl. Sealed, NTN Hi-Temp.)
6-100-4W	BALL BEARING - Armature, C.E. (Dbl. Sealed, WBD)
6-203-4	BALL BEARING - Armature, D.E.; Clutch, Rear (Dbl. Sealed)
6-203-4N	BALL BEARING - Armature, D.E.; Clutch, Rear (Dbl. Sealed, NTN)
6-203-4W	BALL BEARING - Armature, D.E.; Clutch, Rear (Dbl. Sealed, WBD)
6-205-4	BALL BEARING - Clutch, Front (Dbl. Sealed)
6-205-4W	BALL BEARING - Clutch, Front (Dbl. Sealed, WBD)
51-265*	D.E. HOUSING - Lester 6669
52-215*	C.E. FRAME - Lester 6669
54-217	STARTER DRIVE (12-T, CW)
54-2203*	PINION GEAR
54-2401*	CLUTCH
55-211	SHIFT LEVER
59-220	FIELD COIL (121mm Motor Lead)
59-221	FIELD COIL (53mm Motor Lead)
61-212	ARMATURE (12V, CW)
66-210	SOLENOID (12V, 3-Term.)
68-223	BRUSH - Ground (8.5mm T x 19mm W x 18mm L x 33mm LL)
68-224	BRUSH - Field (8.5mm T x 19mm W x 18mm L x 31mm LL)
68-225*	BRUSH - Field (8.5mm T x 19mm W x 18mm LL x 51mm LL)
68-226	BRUSH - Field (8.5mm T x 19mm W x 18mm LL x 37mm LL)
69-203	BRUSH HOLDER ASSY.
76-2310	PLUG - Shift Lever Support
76-2828	WAVE WASHER - C.E.
76-2829	RETAINING RING - Starter Drive
85-1332	SCREW - Brush Holder Assy. (M5 x 0.8 x 14mm L, Hex)
85-1359	SCREW - Soln. Mtg. (M6 x 1.0 x 36mm L, Phillips Pan)
85-1363	THRU BOLT (M6 x 1.0 x 169mm L)
85-1364*	THRU BOLT (M7 x 1.0 x 169mm L)

*Under Development



WAI No.	Description
4-355	STARTER DRIVE (10-T, CW, 12-SPL, Accurate)
4-356	STARTER DRIVE (9-T, CW, 12-SPL, Accurate)
4-357	STARTER DRIVE (12-T, CW, 12-SPL, Accurate)
4-359	STARTER DRIVE (10-T, CW, 12-SPL, Accurate)
7-987	SOLENOID (M6 x 1.0 S-Term., RH, Accurate)
7-1076ZM	SOLENOID (M6 x 1.0 S-Term., LH, Accurate)
7-1086	SOLENOID (M6 x 1.0 S-Term., LH, w/ Plunger Boot, Accurate)
8-201	NEEDLE BEARING - D.E. (12mm ID x 16mm OD x 10mm W)
8-203	NEEDLE BEARING - Planetary Gear (6mm ID x 10mm OD x 8mm W)
51-237	D.E. HOUSING (10mm 2-Ear Flg. Mtg.)
51-238	D.E. HOUSING (M10 x 1.50, Locating Dowel 3-Ear Flg. Mtg.)
51-239	D.E. HOUSING (M10 x 1.50 3-Ear Flg. Mtg.)
51-240	D.E. HOUSING (M10 x 1.25, 12mm 3-Ear Flg. Mtg.)
51-241	D.E. HOUSING (10mm 2-Ear Flg. Mtg.)
51-242	D.E. HOUSING (10mm 2-Ear Flg. Mtg.)
51-243	D.E. HOUSING (10mm 3-Ear Flg. Mtg.)
51-244	D.E. HOUSING (10mm 2-Ear Flg. Mtg.)
51-245	D.E. HOUSING (M10 x 1.25, 10mm 3-Ear Flg. Mtg.)
51-246	D.E. HOUSING (3/8-16, 3/8 2-Ear Flg. Mtg.)
51-247	D.E. HOUSING (10mm 2-Ear Flg. Mtg.)
51-248	D.E. HOUSING (10mm 2-Ear Flg. Mtg.)
51-249	D.E. HOUSING (8mm 3-Ear Flg. Mtg.)
51-250	D.E. HOUSING (10mm 2-Ear Flg. Mtg.)
51-251	D.E. HOUSING (3/8-16, 3/8 2-Ear Flg. Mtg.)
51-252	D.E. HOUSING (M10 x 1.50, Locating Dowel 3-Ear Flg. Mtg.)
51-253	D.E. HOUSING (M10 x 1.25, 11mm 3-Ear Flg. Mtg. w/ 8-201 Ndl. Brg.)
51-254	D.E. HOUSING (M10 x 1.50 3-Ear Flg. Mtg. w/ 8-201 Ndl. Brg.)
51-255	D.E. HOUSING - PMOSGR Strs. (Side Mount w/ 8-201 Ndl. Brg.)

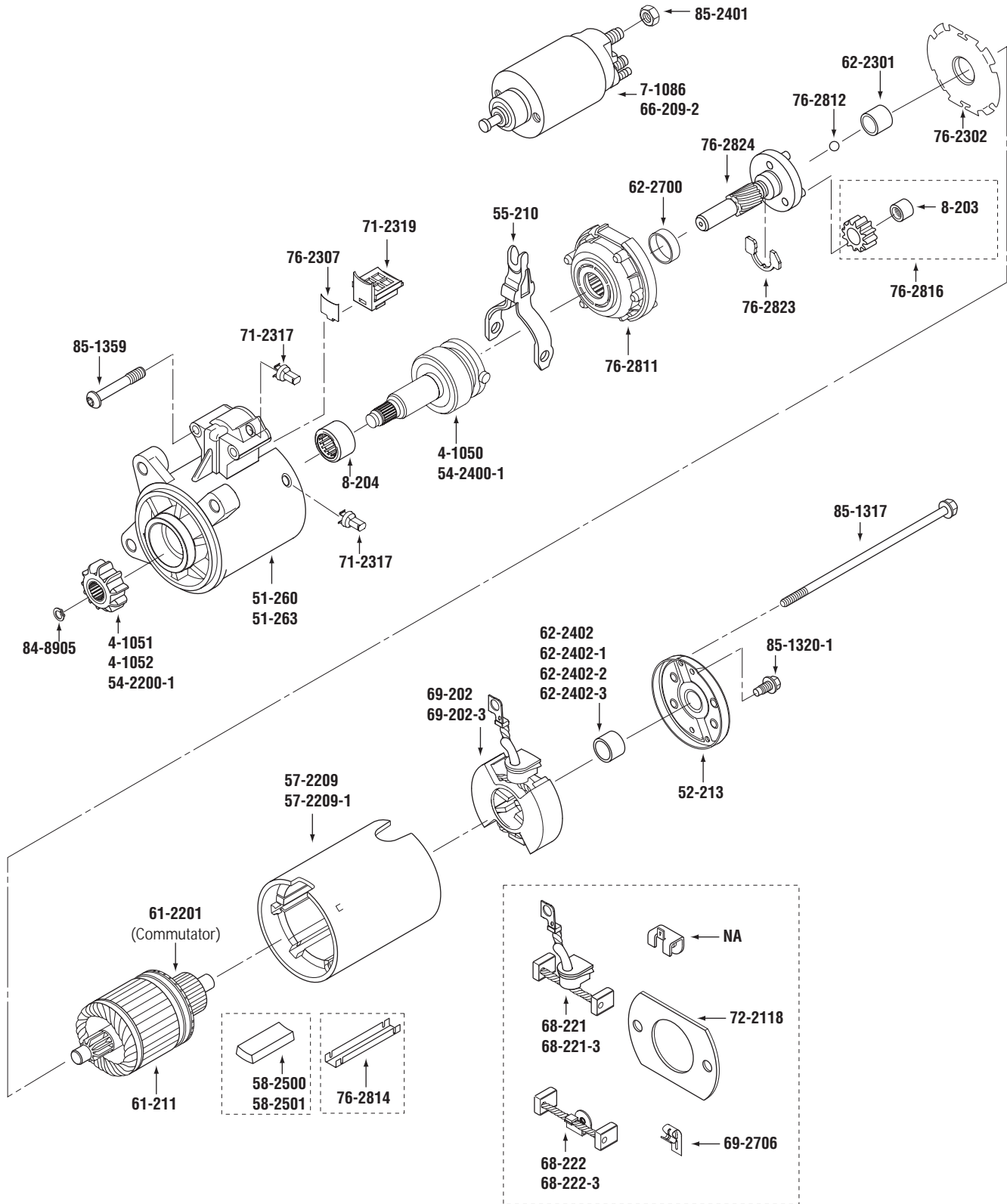
WAI No.	Description
51-256	D.E. HOUSING - PMOSGR Strs. (Side Mount w/ 8-201 Ndl. Brg.)
51-257	D.E. HOUSING (10mm 2-Ear Flg. Mtg.)
51-258	D.E. HOUSING (11mm 2-Ear Flg. Mtg., w/ Bushing)
51-258-1	D.E. HOUSING (11mm 2-Ear Flg. Mtg., w/ Bearing)
51-259	D.E. HOUSING (8mm 3-Ear Flg. Mtg.)
52-212	C.E. FRAME
52-212-1	C.E. FRAME
54-212-2	STARTER DRIVE (10-T, CW, 6-SPL)
54-214-1	STARTER DRIVE (9-T, CW, 12-SPL)
54-215-1	STARTER DRIVE (12-T, CW, 12-SPL)
54-216-1	STARTER DRIVE (10-T, CW, 12-SPL)
54-218	STARTER DRIVE (11-T, CW, 6-SPL)
55-209	SHIFT LEVER - 1st Design
55-210	SHIFT LEVER - 2nd Design w/ Cut-Out for Plunger Boot
57-2209	FIELD CASE ASSY. (Zinc-yellow Plated)
57-2209-1	FIELD CASE ASSY. (Painted Black)
58-2500	MAGNET - North Pole, 3-Required
58-2501	MAGNET - South Pole, 3-Required
61-210-1	ARMATURE - 1st Prod. (129mm OAL)
61-211	ARMATURE - 2nd Prod. (127mm OAL)
61-211-1	ARMATURE - 2nd Prod., w/ Gauge, Std. & Oversize Balls (127mm OAL)
61-2201	COMMUTATOR - Armature (28 Bars, 12.34mm ID x 49.99mm OD x 2.90mm Slot Width)
62-2200	BUSHING - Planetary Gear (6.10mm ID x 10.05mm OD x 8.0mm L)
62-2300	BUSHING - Planetary Shaft (10.08mm ID x 13.96mm OD x 10.0mm L)
62-2301	BUSHING - Planetary Shaft (10.08mm ID x 13.96mm OD x 8.5mm L)
62-2402	BUSHING - D.E., C.E. (12.04mm ID x 15.13mm OD x 10.2mm L)
62-2402-1	BUSHING - D.E., C.E. (1X-Undersize, 11.95mm ID x 15.13mm OD x 10.2mm L)



WAI No.	Description	WAI No.	Description
62-2402-2	BUSHING - D.E., C.E. (2X-Undersize, 11.91mm ID x 15.13mm OD x 10.2mm L)	76-2801	STOP COLLAR
62-2402-3	BUSHING - D.E., C.E. (3X-Undersize, 11.79mm ID x 15.13mm OD x 10.2mm L)	76-2801-1	STOP COLLAR (Stamped & Heat Treated)
62-2403	BUSHING - D.E., Replaces Needle Brg. (12.00mm ID x 16.04mm OD x 10.2mm L)	76-2801-2	STOP COLLAR (Machined & Heat Treated)
62-2403-1	BUSHING - D.E. (1X-Undersize, 11.94mm ID x 16.04mm OD x 10.2mm L)	76-2808	RETAINER - Planetary Shaft (1st prod. w/ 16mm Dia. Ring Groove)
62-2403-2	BUSHING - D.E. (2X-Undersize, 11.86mm ID x 16.04mm OD x 10.2mm L)	76-2809	PLANETARY SHAFT - 1st Prod. (18mm Cavity, w/ 10mm L Bushing)
62-2500	BUSHING - Reduction Gear, PMOSGR Strs. (14.33mm ID x 17.26mm OD x 12.5mm L)	76-2810	PLANETARY GEAR (13-Teeth, 19mm Gear OD, w/ 62-2200 Bushing)
62-2700	BUSHING - Stationary Gear (19.06mm ID x 22.28mm OD x 6.04mm L)	76-2811	STATIONARY GEAR (37-Teeth)
66-205-2	SOLENOID (Spade S-Term., LH, Zinc-Yellow Case)	76-2812	BALL - Shaft Assy. (.250 Dia. Std. Size)
66-207-2	SOLENOID (M6 x 1.0 S-Term., RH)	76-2814	RETAINER - Magnet
66-208-2	SOLENOID (M6 x 1.0 S-Term., LH)	76-2816	PLANETARY GEAR (13-Teeth, 19mm Gear OD, w/ 8-203 Bearing)
66-209-2	SOLENOID (M6 x 1.0 S-Term., LH, w/ Plunger Boot)	76-2818	LOCATING DOWEL PIN - Converts 51-239 to replace 51-238 D.E. Hsg. w/ Locating Dowel. (M10 x 1.5 Dowel)
66-2201	SOLENOID CAP ASSY. (Spade S-Term., LH, w/ Suppression Diode)	76-2819	RETAINER - Reduction Gear, Planetary Shaft (2nd prod. w/ 17mm Dia. Ring Groove)
66-2202	SOLENOID REPAIR KIT (w/ 66-2201 Cap Assy.)	76-2820	SHAFT - Reduction Gear, PMOSGR Strs.
66-2203	SOLENOID CAP ASSY. (M6 x 1.0 S-Term., RH)	76-2822	PLANETARY SHAFT - 2nd Prod. (16mm Cavity, w/ 10mm L Bushing)
66-2204	SOLENOID CAP ASSY. (M6 x 1.0 S-Term., LH)	76-2825	BALL - Shaft Assy. (.297 Dia Oversize)
66-2401	GASKET - Solenoid Cap	76-2826	BALL - Shaft Assy. (.234 Dia. Undersize)
66-2402	GASKET - Solenoid Mtg.	76-2827	REDUCTION GEAR - PMOSGR Strs (22-T, 51.7mm Gear OD, 41.8mm Collar OD)
66-2755	MOVABLE CONTACT - Solenoid	76-7553	TERMINAL - Used to convert S-Term from post to male spade (90° male spade w/ hole to fit 6mm post)
66-2757	INSULATOR - Solenoid Movable Contact	79-2114	STARTER HARNESS KIT - For replacing Early Field Coil Strs. w/ PMGR (Spade S-Term.)
68-217	BRUSH - Field, Early Style Strs. w/ Spade S-Term.	79-2114-1	STARTER HARNESS KIT - For replacing Early Field Coil Strs. w/ PMGR (Threaded Post S-Term.)
68-217-3	BRUSH - Field, Early Style Strs. w/ Spade S-Term.	79-2503	TERMINAL KIT - Soln. S-Term.
68-218	BRUSH - Field (wo/ Grommet & Terminal)	79-2825	BALL KIT - Shaft Assy. (.297 Dia. Oversize, w/ Gauge)
68-218-3	BRUSH - Field (wo/ Grommet & Terminal)	79-2826	BALL KIT - Shaft Assy. (.234 Dia. Undersize, w/ Gauge)
68-219	BRUSH - Grd.	84-4102	FLAT WASHER - Solenoid Movable Contact (5/32 ID)
68-219-1	BRUSH - Grd.	84-4402	LOCK WASHER - Soln. Batt., Motor Terms. (5/16 ID, Split)
68-219-3	BRUSH - Grd.	84-4712	FLAT WASHER - Planetary Shaft (3/4 ID)
68-220	BRUSH - Field, Late Style Strs. w/ M6 x 1.0 S-Term.	84-5910	LOCATING DOWEL PIN - D.E. (3/8 Dia. x 1 L)
68-220-1	BRUSH - Field, Late Style Strs. w/ M6 x 1.0 S-Term.	84-5914	SPLIT ROLL PIN - Reduction Gear Shaft, PMOSGR Strs. (5/32 Dia. x 7/8 L)
68-220-3	BRUSH - Field, Late Style Strs. w/ M6 x 1.0 S-Term.	85-1317	THRU BOLT (M5 x 0.8 x 126mm L)
69-201	BRUSH HOLDER ASSY.	85-1318	THRU BOLT (M5 x 0.8 x 125mm L w/ M5 x 0.8 x 13mm L Ext.)
69-201-2	BRUSH HOLDER ASSY.	85-1319	SCREW - Soln. Mtg. (M6 x 1.0 x 36mm L, T25 Torx)
69-2206	BRUSH HOLDER	85-1320-1	SCREW - Brush Holder Assy. (M5 x 0.8 x 10mm L, Hex)
69-2206-1	BRUSH HOLDER	85-1344	THRU BOLT (M5 x 0.8 x 125mm L w/ M6 x 1.0 x 13mm L Ext.)
69-2704	BRUSH SPRING	85-2301	HEX NUT - Solenoid Switch Term. (M6 x 1.0 x 10mm F x 5mm T, w/ Att. Washer)
71-2103	SEAL - 51-249 D.E. Hsg.	85-2401	HEX NUT - Soln. Batt., Motor Terms. (M8 x 1.25 x 13mm F x 5mm T)
71-2309	PLUG - Shift Lever Support (incl. Pivot Pad)	85-2404	HEX NUT - Soln. Battery, Motor Terms. (M8 x 1.25 x 13mm F x 3.2mm T)
71-2310	DRAIN TUBE - 51-249 D.E. Hsg.	85-9401	LOCK WASHER - Soln. Batt., Motor Terms. (8mm ID, Conical)
71-2313	DRAIN TUBE - 51-249 D.E. Hsg.	88-734	GAUGE - Determines Ball Size for Armature & Shaft
71-2317	DRAIN TUBE - 51-259 D.E. Hsg.		
72-2115	INSULATOR - Brush Holder (For 69-201 Brush Holder Assy.)		
76-2114	COVER - Solenoid Terms.		
76-2302	COVER - Planetary Shaft Assy.		
76-2562	STATIONARY CONTACT - Soln. Batt., Motor Terms. (M8 x 1.25 x 22mm L)		
76-2602	TERMINAL LEAD - Motor (for units w/ threaded post S-Term.)		
76-2603	REPAIR LEAD - Solenoid S-Terminal		
76-2800	STOP RING - Str. Drive		

FORD PMGR NOSELESS

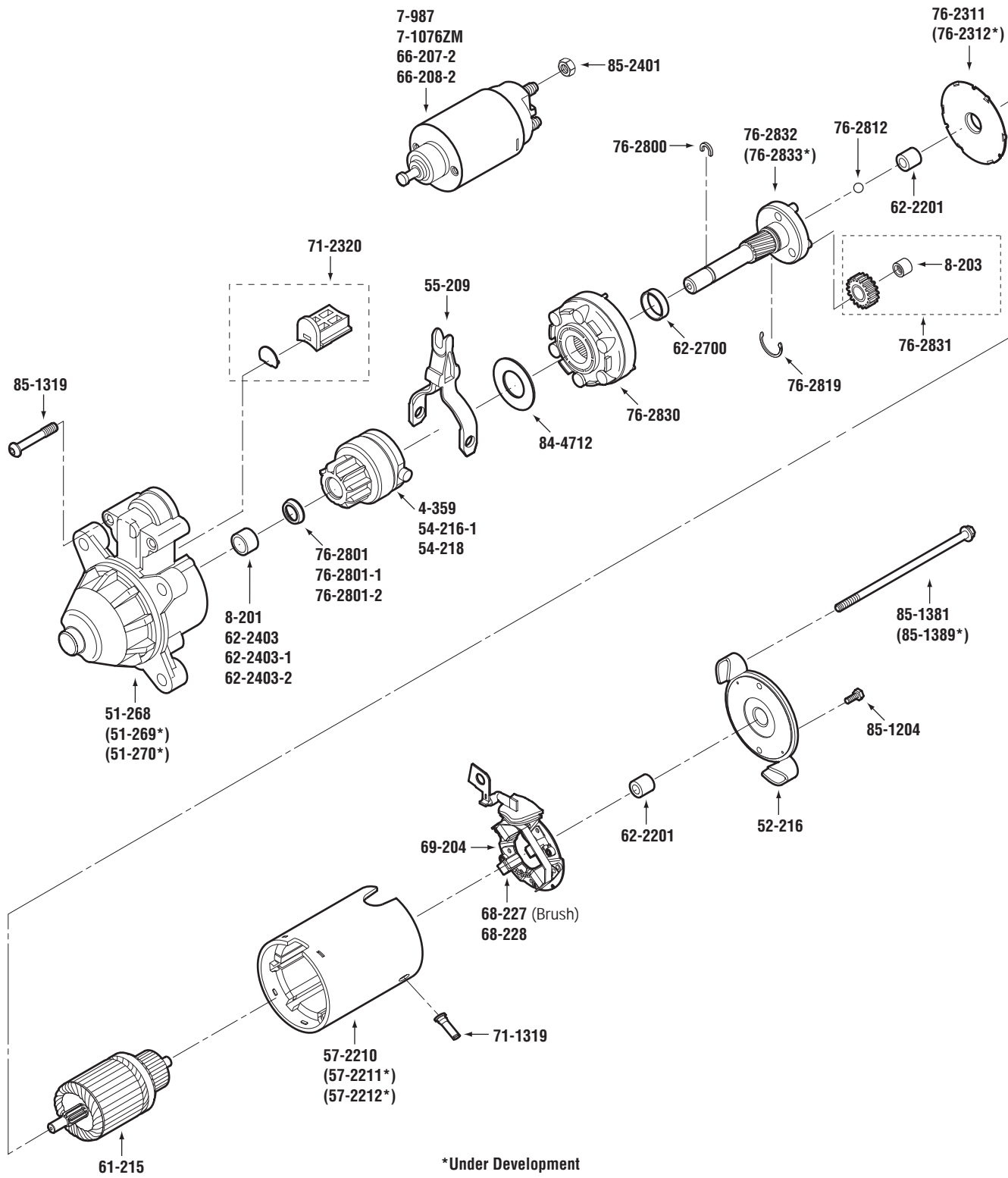
FORD PMGR NOSELESS



WAI No.	Description
4-1050	CLUTCH (82mm L, Accurate)
4-1051	PINION GEAR (12-T, CW, 18-SPL, Accurate)
4-1052	PINION GEAR (10-T, CW, 18-SPL, Accurate)
7-1086	SOLENOID (M6 x 1.0 S-Term., LH, w/ Plunger Boot, Accurate)
8-203	NEEDLE BEARING - Planetary Gear (6mm ID x 10mm OD x 8mm W)
8-204	NEEDLE BEARING - D.E. Hsg. (19mm ID x 25.4mm OD x 14mm W)
51-260	D.E. HOUSING (9mm 3-Ear Flg. Mtg.)
51-263	D.E. HOUSING (11mm 2-Ear Flg. Mtg.)
52-213	C.E. FRAME
54-2200-1	PINION GEAR (12-T, CW, 18-SPL)
54-2400-1	CLUTCH (82mm L)
55-210	SHIFT LEVER
57-2209	FIELD CASE ASSY. (Zinc-yellow Plated)
57-2209-1	FIELD CASE ASSY. (Painted Black)
58-2500	MAGNET - North Pole, 3-Required
58-2501	MAGNET - South Pole, 3-Required
61-211	ARMATURE (127mm OAL)
61-2201	COMMUTATOR - Armature (28 Bars, 12.34mm ID x 49.99mm OD x 2.90mm Slot Width)
62-2301	BUSHING - Planetary Shaft (10.08mm ID x 13.96mm OD x 8.5mm L)
62-2402	BUSHING - C.E. (12.04mm ID x 15.13mm OD x 10.2mm L)
62-2402-1	BUSHING - C.E. (1X-Undersize, 11.95mm ID x 15.13mm OD x 10.2mm L)
62-2402-2	BUSHING - C.E. (2X-Undersize, 11.91mm ID x 15.13mm OD x 10.2mm L)
62-2402-3	BUSHING - C.E. (3X-Undersize, 11.79mm ID x 15.13mm OD x 10.2mm L)
62-2700	BUSHING - Stationary Gear (19.06mm ID x 22.28mm OD x 6.04mm L)
66-209-2	SOLENOID (M6 x 1.0 S-Term., LH, w/ Plunger Boot)
68-221	BRUSH - Field
68-221-3	BRUSH - Field
68-222	BRUSH - Grd
68-222-3	BRUSH - Grd
69-202	BRUSH HOLDER ASSY.
69-202-3	BRUSH HOLDER ASSY.
69-2706	BRUSH SPRING
71-2317	DRAIN TUBE - D.E. Hsg.
71-2319	PLUG - Shift Lever Support
72-2118	INSULATOR - Brush Holder Assy.
76-2302	COVER - Planetary Shaft Assy.
76-2307	PAD - Shift Lever Support
76-2811	STATIONARY GEAR (37-Teeth)
76-2812	BALL - Planetary Shaft
76-2814	RETAINER - Magnet
76-2816	PLANETARY GEAR (13-Teeth, 19mm Gear OD, w/ 8-203 Bearing)
76-2823	RETAINER - Stationary Gear
76-2824	PLANETARY SHAFT
84-8905	SNAP RING - Pinion Gear (.428 ID x .042 T, Ext.)
85-1317	THRU BOLT (M5 x 0.8 x 126mm L)
85-1320-1	SCREW - Brush Holder Assy. (M5 x 0.8 x 10mm L, Hex)
85-1359	SCREW - Soln. Mtg. (M6 x 1.0 x 36mm L, Phillips Pan)
85-2401	HEX NUT - Soln. Batt., Motor Terms. (M8 x 1.25 x 13mm F x 5mm T)

FORD PMGR W/ EXTERNAL THRU BOLTS

FORD PMGR W/ EXTERNAL THRU BOLTS



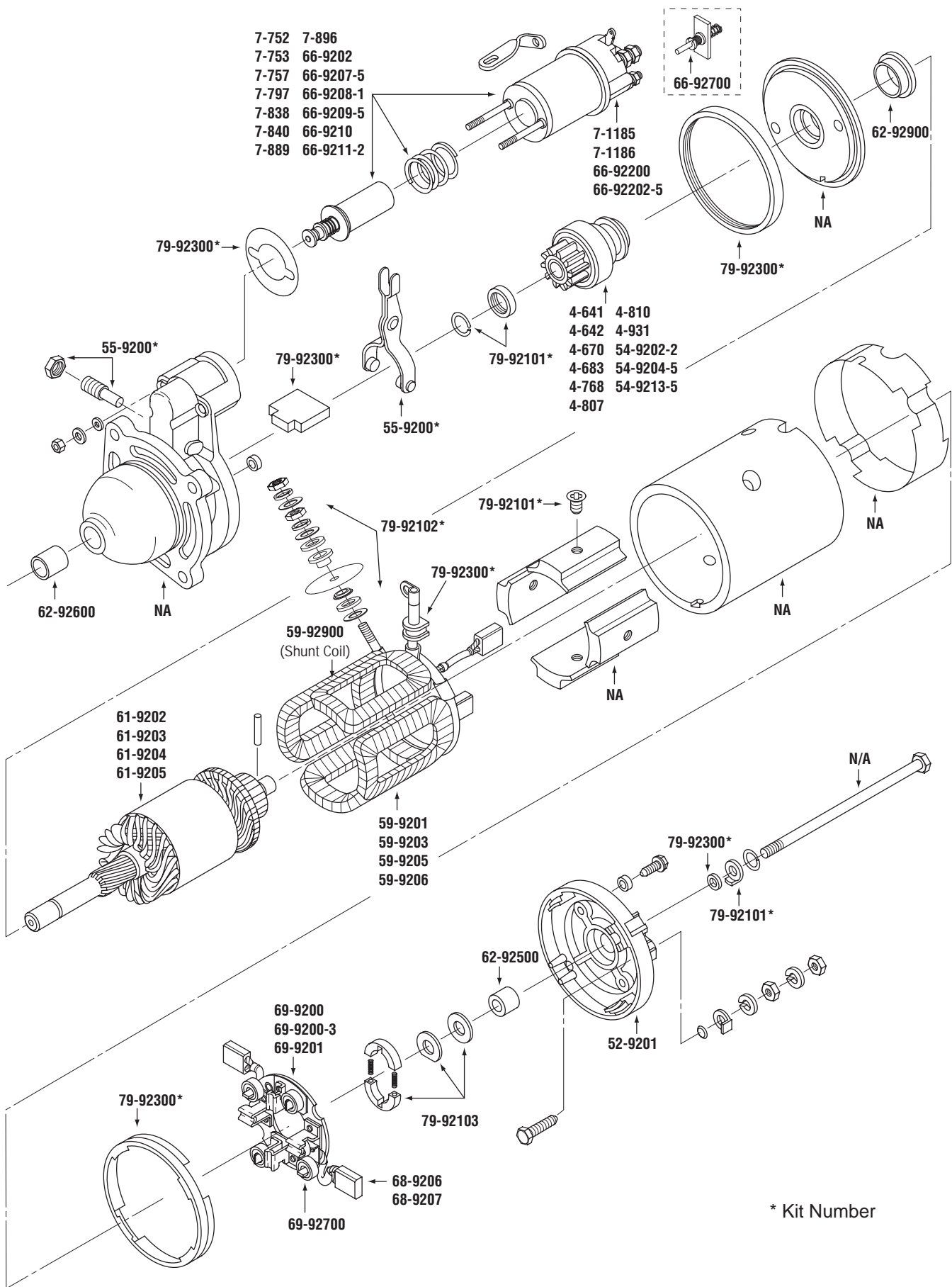
FORD PMGR W/ EXTERNAL THRU BOLTS

WAI No.	Description
4-359	STARTER DRIVE (10-T, CW, 12-SPL, Accurate)
7-987	SOLENOID (M6 x 1.0 S-Term., RH, Accurate)
7-1076ZM	SOLENOID (M6 x 1.0 S-Term., LH, Accurate)
8-201	NEEDLE BEARING - D.E. (12mm ID x 16mm OD x 10mm W)
8-203	NEEDLE BEARING - Planetary Gear (6mm ID x 10mm OD x 8mm W)
51-268	D.E. HOUSING - Lester 6651
51-269*	D.E. HOUSING - Lester 6674
51-270*	D.E. HOUSING - Lester 6676, 6677
52-216	C.E. FRAME
54-216-1	STARTER DRIVE (10-T, CW, 12-SPL)
54-218	STARTER DRIVE (11-T, CW, 6-SPL)
55-209	SHIFT LEVER
57-2210	FIELD CASE ASSY. - Lester 6651 (93mm L x 68mm OD)
57-2211*	FIELD CASE ASSY. - Lester 6674 (85mm L x 68mm OD)
57-2212*	FIELD CASE ASSY. - Lester 6676, 6677 (85mm L x 68mm OD)
61-215	ARMATURE (122mm OAL)
62-2201	BUSHING - C.E. (7.1mm ID x 12.0mm OD x 10.0mm L)
62-2403	BUSHING - D.E. (12.00mm ID x 16.04mm OD x 10.2mm L)
62-2403-1	BUSHING - D.E. (1X-Undersize, 11.94mm ID x 16.04mm OD x 10.2mm L)
62-2403-2	BUSHING - D.E. (2X-Undersize, 11.86mm ID x 16.04mm OD x 10.2mm L)
62-2700	BUSHING - Stationary Gear (19.06mm ID x 22.28mm OD x 6.04mm L)
66-207-2	SOLENOID (M6 x 1.0 S-Term., RH)
66-208-2	SOLENOID (M6 x 1.0 S-Term., LH)
68-227	BRUSH - Grd. (6mm T x 13mm W x 12mm L x 23mm LL)
68-228	BRUSH - fld. (6mm T x 13mm W x 12mm L x 23mm LL)
69-204	BRUSH HOLDER ASSY.
71-1319	DRAIN TUBE - Field Case
71-2320	PAD - Shift Lever Support
76-2311	COVER - Planetary Shaft Assy.
76-2800	STOP RING - Str. Drive
76-2801	STOP COLLAR
76-2801-1	STOP COLLAR (Stamped & Heat Treated)
76-2801-2	STOP COLLAR (Machined & Heat Treated)
76-2812	BALL - Planetary Shaft
76-2819	RETAINER - Planetary Shaft (2nd prod. w/ 17mm Dia. Ring Groove)
76-2830	STATIONARY GEAR (45-Teeth)
76-2831	PLANETARY GEAR (18-Teeth, 24mm Gear OD)
76-2832	PLANETARY SHAFT (106mm OAL)
84-4712	FLAT WASHER - Planetary Shaft (3/4 ID)
85-1204	SCREW - Brush Holder Assy. (M4 x 0.7 x 10mm L, Hex)
85-1319	SCREW - Soln. Mtg. (M6 x 1.0 x 36mm L, T25 Torx)
85-1381	THRU BOLT (M6 x 1.0 x 126mm L, Hex)
85-1389	THRU BOLT (M6 x 1.0 x 108mm L, Hex)
85-2401	HEX NUT - Soln. Batt., Motor Terms. (M8 x 1.25 x 13mm F x 5mm T)

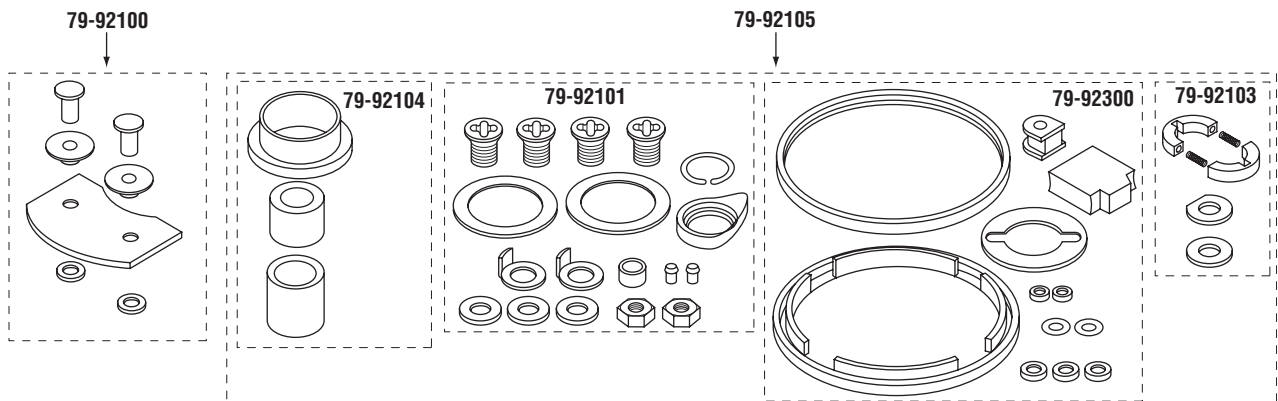
*Under Development

LUCAS M50, M127

LUCAS M50, M127

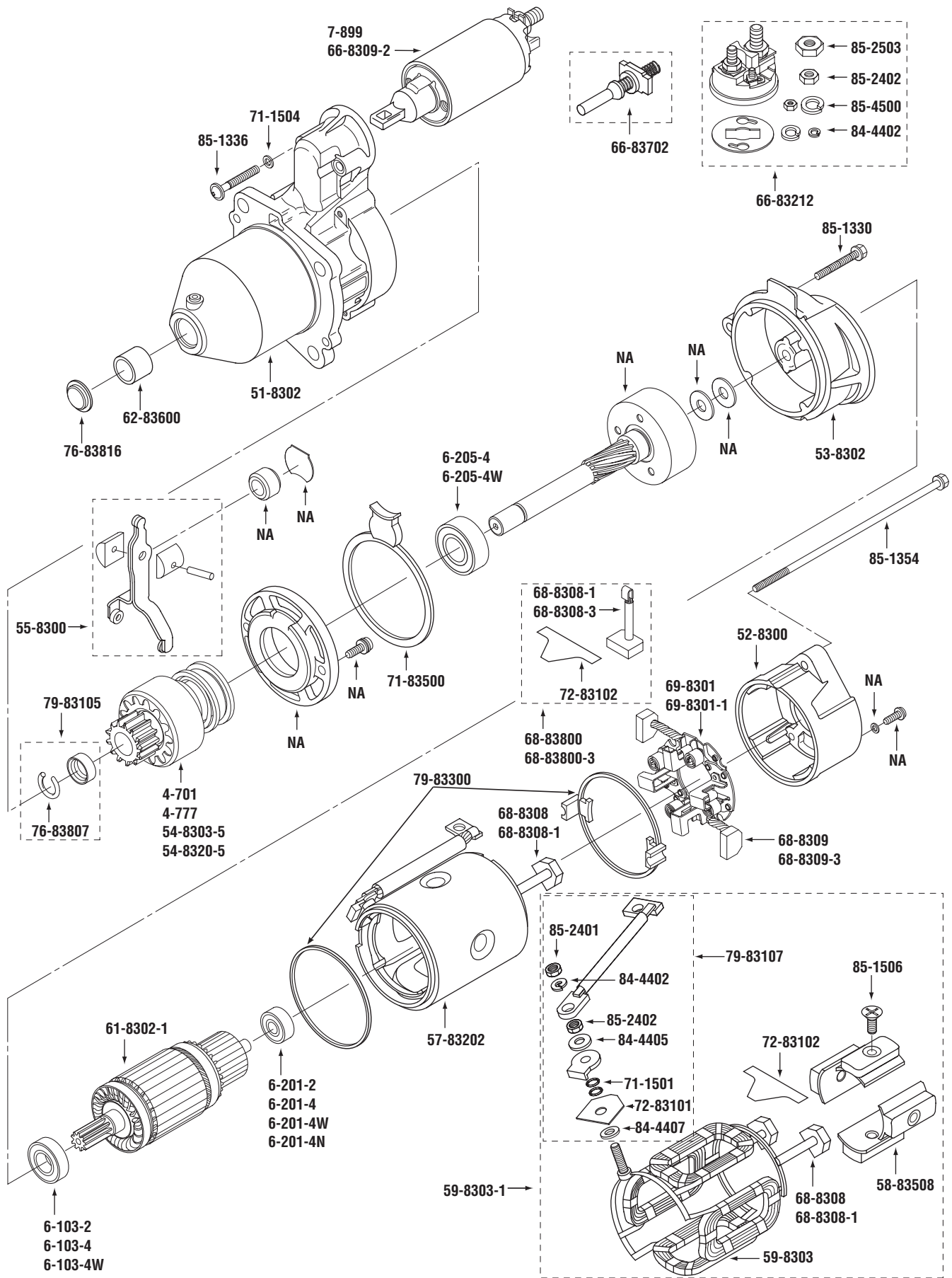


WAI No.	Description	WAI No.	Description
4-641	STARTER DRIVE (10-T, CW, 3-SPL, 70mm L, 17° Helix, Accurate)	59-9205	FIELD COIL - M127 Series Strs. (w/ 68-9207 Brush)
4-642	STARTER DRIVE (10-T, CW, 12-SPL, 70mm L, 17° Helix, Accurate)	59-9206	FIELD COIL - M127 Series Strs. (w/ 68-9206 Brush)
4-670	STARTER DRIVE (10-T, CW, 12-SPL, 73mm L, 32° Helix, Accurate)	59-92900	SHUNT COIL
4-683	STARTER DRIVE (10-T, CW, 3-SPL, 70mm L, 32° Helix, Accurate)	61-9202	ARMATURE - M50 Series Strs. (303mm OAL, 3-SPL, 17° Helix)
4-768	STARTER DRIVE (10-T, CW, 12-SPL, 70mm L, 32° Helix, Accurate)	61-9203	ARMATURE - M50 Series Strs. (303mm OAL, 12-SPL, 17° Helix)
4-807	STARTER DRIVE (10-T, CW, 12-SPL, 73mm L, 17° Helix, Accurate)	61-9204	ARMATURE - M50 Series Strs. (330mm OAL, 12-SPL, 17° Helix)
4-810	STARTER DRIVE (10-T, CW, 12-SPL, 100mm L, 17° Helix, Accurate)	61-9205	ARMATURE - M127 Series Strs. (303mm OAL, 12-SPL, 32° Helix)
4-931	STARTER DRIVE (10-T, CW, 12-SPL, 100mm L, 32° Helix, Accurate)	62-92500	BUSHING - C.E. (12.81mm ID x 19.14mm OD x 14.1mm L)
7-752	SOLENOID - M50 Series Strs. (Male Spade S-Term., Male Spade w/ Lead R-Term., Accurate)	62-92600	BUSHING - D.E. (17.10mm ID x 21.04mm OD x 22.1mm L)
7-753	SOLENOID - M50 Series Strs. (M5 x 0.8 Hole S-Term., M6 x 1.0 Post Shunt Coil Term., Accurate)	62-92900	BUSHING - C.S. (28.50mm ID x 31.75mm OD x 13.0mm L)
7-757	SOLENOID - M50 Series Strs. (M5 x 0.8 Hole S-Term., M6 x 1.0 Post R-Term., Accurate)	66-9202	SOLENOID - M50 Series Strs. (M5 x 0.8 Hole S-Term., M6 x 1.0 Post R-Term.)
7-797	SOLENOID - M127 Series Strs. (Male Spade S-Term., Accurate)	66-9207-5	SOLENOID - M50 Series Strs. (Male Spade S-Term., M6 x 1.0 Post Shunt Coil Term.)
7-838	SOLENOID - M127 Series Strs. (Male Spade S-Term., Male Spade R-Term., Accurate)	66-9208-1	SOLENOID - M50 Series Strs. (Male Spade S-Term., M6 x 1.0 Post Shunt Coil Term.)
7-840	SOLENOID - M50 Series Strs. (Male Spade S-Term., M6 x 1.0 Post Shunt Coil Term., Accurate)	66-9209-5	SOLENOID - M50 Series Strs. (M5 x 0.8 Hole S-Term., M6 x 1.0 Post Shunt Coil Term.)
7-889	SOLENOID - M50 Series Strs. (Male Spade S-Term., M6 x 1.0 Post Shunt Coil Term., Accurate)	66-9210	SOLENOID - M50 Series Strs. (Male Spade S-Term., M6 x 1.0 Post R-Term.)
7-896	SOLENOID - M50 Series Strs. (Male Spade S-Term., M6 x 1.0 Post R-Term., Accurate)	66-9211-2	SOLENOID - M127 Series Strs. (Male Spade S-Term.)
7-1185	SOLENOID CAP ASSY. - M50 Series Strs. (M5 x 08 Hole S-Term., M6 x 1.0 Post Shunt Coil Term., Accurate)	66-92200	SOLENOID CAP ASSY. - M50 Series Strs. (Male Spade S-Term., M6 x 1.0 Post Shunt Coil Term.)
7-1186	SOLENOID CAP ASSY. - M127 Series Strs. (Male Spade S-Term., Male Spade R-Term., Accurate)	66-92202-5	SOLENOID CAP ASSY. - M127 Series Strs. (Male Spade S-Term., Male Spade R-Term.)
52-9201	C.E. FRAME	66-92700	MOVABLE CONTACT ASSY.
54-9202-2	STARTER DRIVE (10-T, CW, 12-SPL, 70mm L, 17° Helix)	68-9206	BRUSH - Ref# FA-6 (9mm T x 20mm W x 24.5mm L)
54-9204-5	STARTER DRIVE (10-T, CW, 12-SPL, 100mm L, 17° Helix)	68-9207	BRUSH - Ref# FA-64 (8mm T x 19mm W x 22.5mm L)
54-9213-5	STARTER DRIVE (10-T, CW, 12-SPL, 70mm L, 32° Helix)	69-9200	BRUSH HOLDER ASSY. (w/ 68-9206 Grd. Brushes)
55-9200	SHIFT LEVER (incl. Pivot Pin & Nut)	69-9200-3	BRUSH HOLDER ASSY. (w/ 68-9206 Grd. Brushes)
59-9201	FIELD COIL - M50 Series Strs. (w/ 68-9207 Brush)	69-9201	BRUSH HOLDER ASSY. (w/ 68-9207 Grd. Brushes)
59-9203	FIELD COIL - M50 Series Strs. (w/ 68-9206 Brush)	69-92700	BRUSH SPRING
		79-92100	INSULATOR KIT - Brush Holder
		79-92101	SMALL PARTS KIT
		79-92102	TERMINAL KIT - Field Coil
		79-92103	BRAKE KIT - C.E.
		79-92104	BUSHING KIT
		79-92105	REPAIR KIT
		79-92300	SEAL KIT



MITSUBISHI OSGR FOR FORD DIESEL (LESTER 17037)

MITSUBISHI OSGR FOR FORD DIESEL

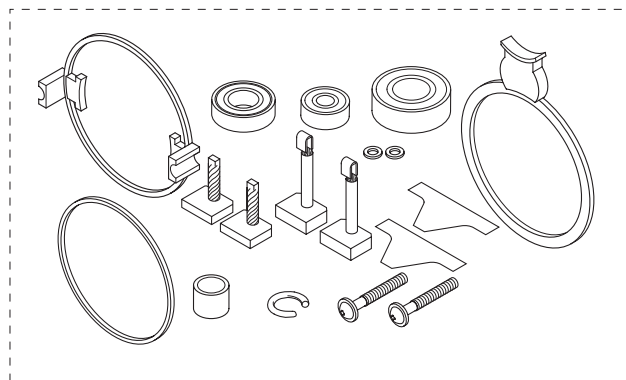


MITSUBISHI OSGR FOR FORD DIESEL (LESTER 17037)

WAI No.	Description	WAI No.	Description
4-701	STARTER DRIVE (13-T, CW, 10-SPL, 100mm L, Accurate)	68-8308	BRUSH - Field (wo/ Clip)
4-777	STARTER DRIVE (13-T, CW, 10-SPL, 109mm L, Accurate)	68-8308-1	BRUSH - Field (w/ Clip)
6-103-2	BALL BEARING - Armature, D.E., Ref# 6003 (Dbl. Shielded)	68-8308-3	BRUSH - Field (wo/ Clip)
6-103-4	BALL BEARING - Armature, D.E., Ref# 6003 (Dbl. Sealed)	68-8309	BRUSH - Grd.
6-103-4W	BALL BEARING - Armature, D.E., Ref# 6003 (Dbl. Sealed, WBD)	68-8309-3	BRUSH - Grd.
6-201-2	BALL BEARING - Armature, C.E., Ref# 6201 (Dbl. Shielded)	68-83800	BRUSH KIT - Field (68-8308-1 Brush, 72-83102 Insulator)
6-201-4	BALL BEARING - Armature, C.E., Ref# 6201 (Dbl. Sealed)	68-83800-3	BRUSH KIT - Field (68-8308-1 Brush, 72-83102 Insulator)
6-201-4N	BALL BEARING - Armature, C.E., Ref# 6201 (Dbl. Sealed, NTN)	69-8301	BRUSH HOLDER ASSY.
6-201-4W	BALL BEARING - Armature, C.E., Ref# 6201 (Dbl. Sealed, WBD)	69-8301-1	BRUSH HOLDER ASSY.
6-205-4	BALL BEARING - Drive Shaft, Ref# 6205 (Dbl. Sealed)	71-1501	O-RING - Fld. Coil Term. (8mm ID x 11.0mm OD x 1.8mm W)
6-205-4W	BALL BEARING - Drive Shaft, Ref# 6205 (Dbl. Sealed, WBD)	71-1504	O-RING - Soln. Mtg. Screw (6mm ID x 10mm OD x 1.8mm W)
7-899	SOLENOID	71-83500	SEAL - Field Case to Gear Hsg.
51-8302	D.E. HOUSING	72-83101	INSULATOR - Field Coil
52-8300	C.E. FRAME	72-83102	INSULATOR - Brush Clip to Fld. Case
53-8302	C.S. FRAME	76-83807	RETAINING RING - Stop Collar (2.3mm Wire Dia.)
54-8303-5	STARTER DRIVE (13-T, CW, 10-SPL, 100mm L)	76-83816	COVER - D.E. Hsg.
54-8320-5	STARTER DRIVE (13-T, CW, 10-SPL, 109mm L)	79-83105	STOP COLLAR KIT
55-8300	SHIFT LEVER	79-83107	TERMINAL KIT - Field Coil
57-83202	FIELD CASE ASSY.	79-83109	REPAIR KIT
58-83508	POLE SHOE	79-83300	SEAL KIT - Field Case
59-8303	FIELD COIL	84-4402	LOCK WASHER - Field Coil Term., Soln. Terms. (5/16 ID, Split)
59-8303-1	FIELD COIL (w/ Pole Shoes & Motor Lead Kit)	84-4405	FLAT WASHER - Field Coil Term. (5/16 ID)
61-8302-1	ARMATURE	84-4407	CONICAL WASHER - Field Coil Term. (5/16 ID)
62-83600	BUSHING - D.E. (17.04mm ID x 22.10mm OD x 16.5mm L)	85-1330	SCREW - C.S. Frame (M6 x 1.0 x 57mm L, Hex)
66-8309-2	SOLENOID	85-1336	SCREW - Solenoid (M6 x 1.0 x 42mm L, Phillips)
66-83212	SOLENOID CAP ASSY.	85-1354	THRU BOLT (M6 x 1.0 x 200mm L, 10mm Hex)
66-83702	MOVABLE CONTACT ASSY.	85-1506	SCREW - Pole Shoe (M10 x 1.5 x 10mm L, Phillips)
		85-2401	HEX NUT - Fld. Coil Term. (M8 x 1.25 x 13mm F x 5mm T)
		85-2402	HEX NUT - Field Coil Term., Soln. Terms. (M8 x 1.25 x 13mm F x 4mm T)
		85-2503	HEX NUT - Soln. Terms. (M10 x 1.5 x 17mm F x 5mm T)
		85-4500	LOCK WASHER - Soln. Terms. (10mm ID, Split)

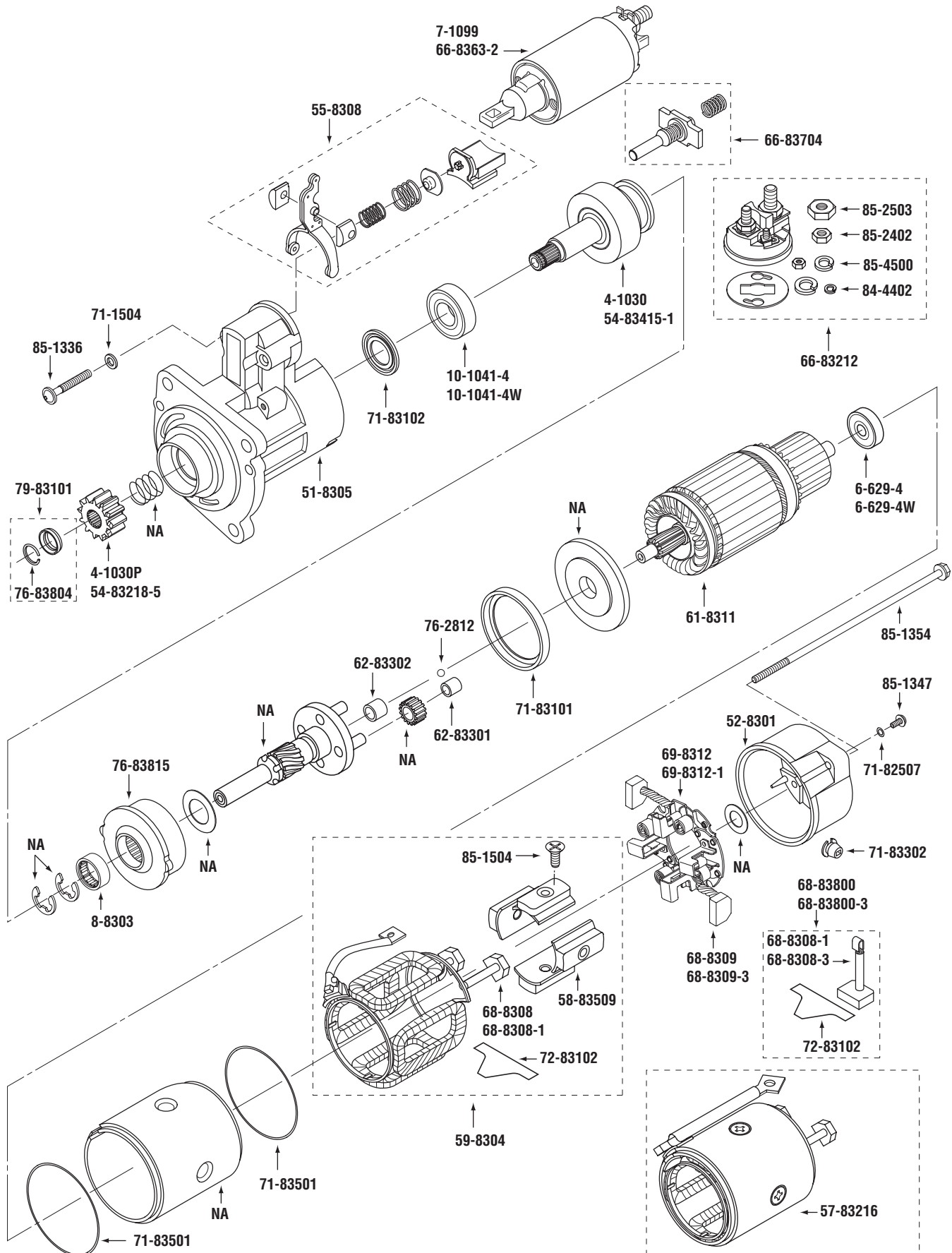
MITSUBISHI OSGR FOR FORD DIESEL

79-83109



MITSUBISHI PLGR FOR FORD DIESEL (LESTER 17578)

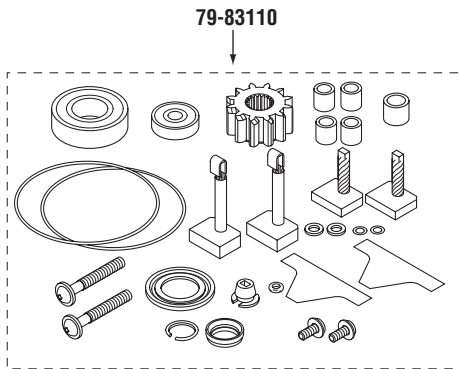
MITSUBISHI PLGR FOR FORD DIESEL



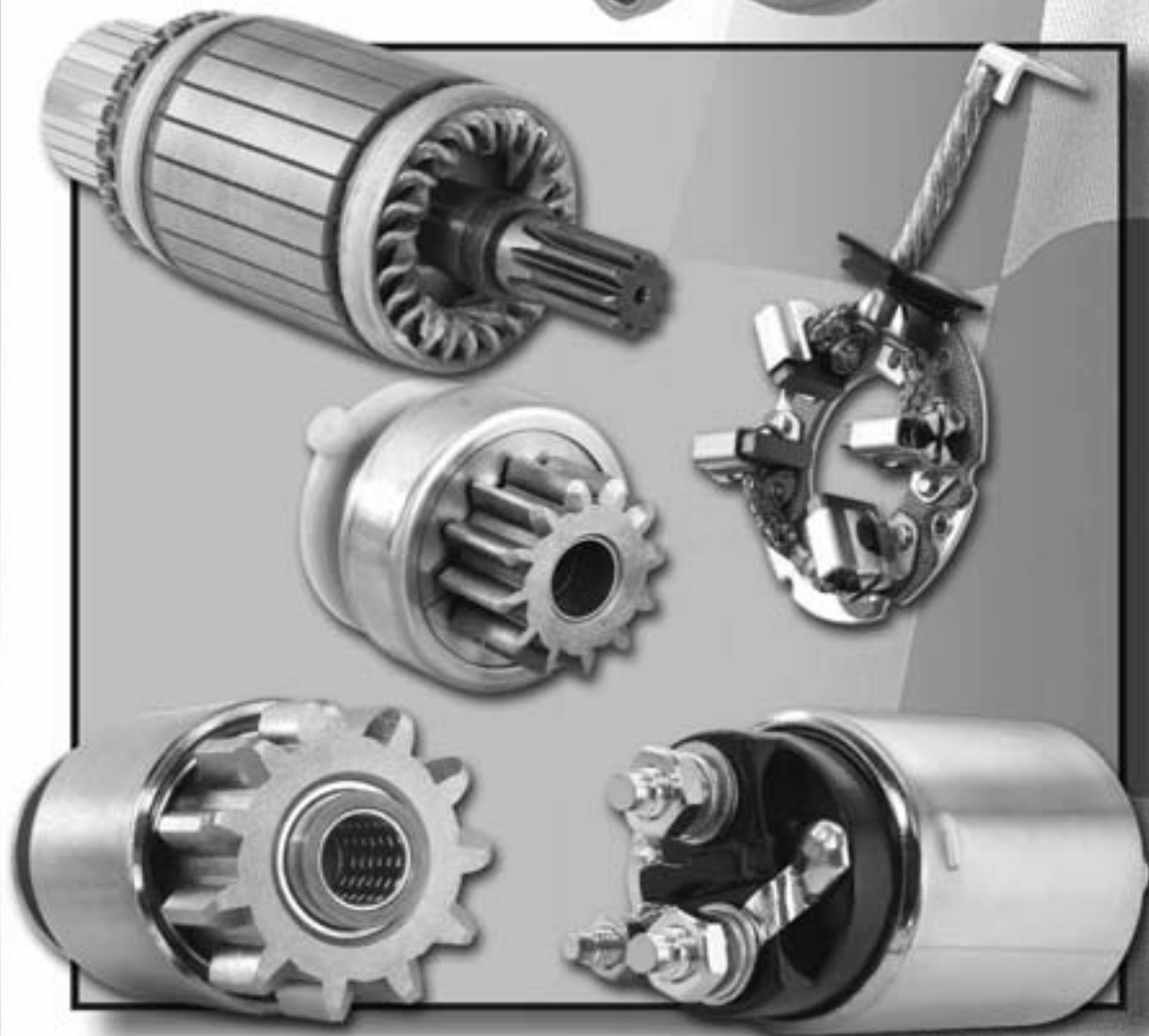
MITSUBISHI PLGR FOR FORD DIESEL (LESTER 17578)

WAI No.	Description	WAI No.	Description
4-1030	CLUTCH (Accurate)	68-8309	BRUSH - Grd.
4-1030P	PINION GEAR - Str. Drive (Accurate)	68-8309-3	BRUSH - Grd.
6-629-4	BALL BEARING - Armature, C.E., Ref# 629 (Dbl. Sealed)	68-83800	BRUSH KIT - Field (68-8308-1 Brush, 72-83102 Insulator)
6-629-4W	BALL BEARING - Armature, C.E., Ref# 629 (Dbl. Sealed, WBD)	68-83800-3	BRUSH KIT - Field (68-8308-1 Brush, 72-83102 Insulator)
7-1099	SOLENOID (Accurate)	69-8312	BRUSH HOLDER ASSY.
8-8303	NEEDLE BEARING - Stationary Gear	69-8312-1	BRUSH HOLDER ASSY.
10-1041-4	BALL BEARING - D.E. (Dbl. Sealed)	71-1504	O-RING - Soln. Mtg. Screw (6mm ID x 10mm OD x 1.8mm W)
10-1041-4W	BALL BEARING - D.E. (Dbl. Sealed)	71-82507	O-RING - Brush Holder Mtg. Screw (4mm ID x 7.5mm OD x 1.8mm W)
51-8305	D.E. HOUSING - M8T50071 Str.	71-83101	SEAL - Stationary Gear
52-8301	C.E. FRAME	71-83102	SEAL - D.E. Hsg.
54-83218-5	PINION GEAR - Str. Drive	71-83302	DRAIN TUBE - C.E. Frame
54-83415-1	CLUTCH	71-83501	O-RING -Fld. Case (80mm ID x 83mm OD x 1.5mm W)
55-8308	SHIFT LEVER	72-83102	INSULATOR - Brush Clip toFld. Case
57-83216	FIELD CASE ASSY.	76-2812	BALL - Drive Shaft (6.35mm Dia.)
58-83509	POLE SHOE	76-83804	RETAINING RING (1.6mm Wire Dia.)
59-8304	FIELD COIL	76-83815	STATIONARY GEAR
61-8311	ARMATURE	79-83101	STOP COLLAR KIT
62-83301	BUSHING - Planetary Gear (8.10mm ID x 11.53mm OD x 11.6mm L)	79-83110	REPAIR KIT
62-83302	BUSHING - Planetary Shaft (10.13mm ID x 14.02mm OD x 12.1mm L)	84-4402	LOCK WASHER - Soln. Terms. (5/16 ID, Split)
66-8363-2	SOLENOID	85-1336	SCREW - Solenoid (M6 x 1.0 x 42mm L, Phillips)
66-83212	SOLENOID CAP ASSY.	85-1347	SCREW - Brush Holder Assy. (M5 x 0.8 x 11mm L, Phillips)
66-83704	MOVABLE CONTACT ASSY.	85-1354	THRU BOLT (M6 x 1.0 x 200mm L, 10mm Hex)
68-8308	BRUSH - Field (wo/ Clip)	85-1504	SCREW - Pole Shoe (M10 x 1.5 x 14mm L, Phillips)
68-8308-1	BRUSH - Field (w/ Clip)	85-2402	HEX NUT - Soln. Terms. (M8 x 1.25 x 13mm F x 4mm T)
68-8308-3	BRUSH - Field (wo/ Clip)	85-2503	HEX NUT - Soln. Terms. (M10 x 1.5 x 17mm F x 5mm T)
		85-4500	LOCK WASHER - Soln. Terms. (10mm ID, Split)

MITSUBISHI PLGR FOR FORD DIESEL



BUYER'S GUIDE



BOSCH

DD Starters (12V)



61-9100
Armature
12 Volt, CW Rotation

For: Bosch 367 Series DD Starters

Used On: Deutz, Iveco, John Deere, Mack, Magirus

Replaces: Bosch 2-004-004-003, 2-004-004-006;
 Ref# 5020-2774

Unit Nos: Bosch 0-001-367-001, -002, -004, -005, -006, -007, -008, -009, -010, -011, -012, -013, -014, -015, -016, -018, -021, -022, -023, -024, -025, -026, -027, -028, -029, -030, -032, -033, -034, -036, -039, -042, -044, -045, -046, -048, -050, -052, -054, -055, -056, -058, -063, -069, -070, -072, -075, -078

Dim: 337mm OAL

10-Splines

12.42mm Shaft OD, Front Bushing

13.92mm Shaft OD, Rear Bushing

Features:

- 100% New, WAI Manufactured



61-9104
Armature
12 Volt, CW Rotation

For: Bosch 362, 366 Series DD Starters

Used On: (1987-74) Peugeot; Deutz, Ditch Witch, Ingersoll-Rand

Replaces: Bosch 2-004-004-074, 2-004-004-092;
 Ref# 5020-2776

Unit Nos: Bosch 0-001-354-092; 0-001-362-020, -034, -035, -036, -037, -039, -040, -041, -042, -045, -046, -049, -050, -053, -057, -059, -060, -061, -062, -071, -072, -073, -074, -075, -076, -079, -081, -090, -305, -314, -322, -602, -700, -701; 0-001-366-001, -002, -004, -009, -011, -012, -014, -015, -017, -020, -022, -024, -025, -027

(cont'd.)

(cont'd.)

Lester Nos: 16715, 16752, 16753, 16754, 17318

WAI Ref. Nos: 2-1294-BO, 2-1296-BO, 2-1908-BO, 2-1925-BO

Dim: 290mm OAL

10-Splines

12.42mm Shaft OD, Front Bushing

13.92mm Shaft OD, Rear Bushing

Features:

- 100% New, WAI Manufactured



61-9105
Armature
12 Volt, CW Rotation

For: Bosch 362 Series DD Starters

Used On: (1985-74) Audi, Mercedes, Volvo (Diesel)

Replaces: Bosch 2-004-004-075, 2-004-004-090;
 Ref# 5020-2577, 5020-3030

Unit Nos: Bosch 0-001-362-038, 0-001-362-047, 0-001-362-069, 0-001-362-070, 0-001-362-077, 0-001-362-078, 0-001-362-083, 0-001-362-600, 0-001-362-601, 0-001-362-605

Lester Nos: 16445, 16615, 16949, 16957, 16999

WAI Ref. Nos: 2-1270-BO, 2-1277-BO, 2-1287-BO

Dim: 286mm OAL

10-Splines

11.92mm Shaft OD, Front Bushing

13.92mm Shaft OD, Rear Bushing

Features:

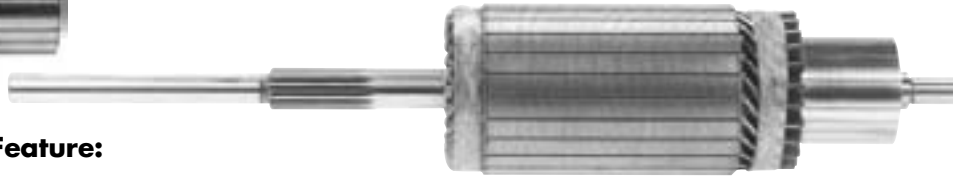
- 100% New, WAI Manufactured

WAI MANUFACTURED ARMATURES



Automotive Armatures Feature:

- 100% New
- Precision machined shaft with ground bearing surfaces
- Heat treated splines & bearing surfaces
- Commutator with thick copper segments & stake welded hairpins
- Gear reduction armatures feature banded hairpins at commutator
- 100% tested for balance, grounds & shorts



Heavy Duty Armatures Feature:

- 100% New
- Heat treated shaft
- Welded steel core riserless commutator - same as OE

STARTER - ARMATURES (61-)

BOSCH

DD Starters (12V) (cont'd.)



61-9110

Armature

12 Volt, CW Rotation

For: Bosch 359 Series DD Starters

Used On: Deutz, Iveco, Mack, Magirus

Replaces: Bosch 2-004-004-112;

Ref# 5020-2778, 5020-2970

Unit Nos: Bosch 0-001-359-001, -003, -006, -007, -008, -010, -012, -013, -014, -016, -019, -020, -024, -025, -026, -027, -030, -032, -033, -034, -037, -038, -041, -043, -044, -045, -046, -049, -053, -055, -056, -057, -058, -060, -062, -063, -064, -067, -068, -069, -071, -072, -073, -074, -075, -076, -081, -082, -083, -084, -085, -086, -087, -088, -090, -091, -094, -095, -096, -097, -099, -100, -101, -102, -104, -106, -107, -108, -109, -110, -111, -112, -113, -114, -117, -118, -119, -122, -124

WAI Ref. Nos: 2-2041-BO

Dim: 340mm OAL

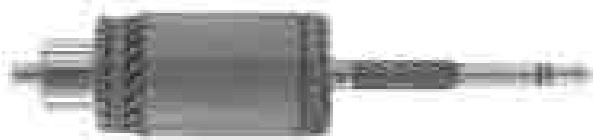
10-Splines

12.44mm Shaft OD, Front Bushing

13.94mm Shaft OD, Rear Bushing

Features:

- 100% New



61-9117

Armature

12 Volt, CW Rotation

For: Bosch Brazilian DD Starters

Used On: Massey Ferguson, Mercedes-Benz Truck

Replaces: Bosch 9-001-083-327;

Ref# 5020-3034

Unit Nos: Bosch 9-000-083-027, 9-000-083-028, 9-000-083-031, 9-000-083-036, 9-000-083-054, 9-000-083-058, 9-000-083-059, 9-000-083-071

Dim: 328mm OAL

10-Splines

12.42mm Shaft OD, Front Bushing

15.62mm Shaft OD, Rear Bushing

Features:

- 100% New, WAI Manufactured



61-9118

Armature

12 Volt, CW Rotation

For: Bosch 314 Series DD Starters

Used On: (1987-73) Audi, Mercedes, Volkswagen

(cont'd.)

(cont'd.)

Replaces: Bosch 1-004-003-138;

Ref# 5020-2575

Unit Nos: Bosch 0-001-314-001, 0-001-314-002, 0-001-314-005, 0-001-314-006, 0-001-314-010, 0-001-314-014, 0-001-314-015, 0-001-314-017, 0-001-314-018, 0-001-314-024

Lester Nos: 16299, 16543, 16622, 16623

WAI Ref. Nos: 2-1271-BO, 2-1272-BO, 2-1355-BO, 2-1779-BO

Dim: 263mm OAL

10-Splines

11.92mm Shaft OD, Front Bushing

12.42mm Shaft OD, Rear Bushing

Features:

- 100% New



61-9121

Armature

12 Volt, CW Rotation

For: Bosch 362 Series DD Starters

Used On: IHC, John Deere

Replaces: Bosch 2-004-004-096, 2-004-014-953;

Ref# 5020-3010

Unit Nos: Bosch 0-001-362-300, 0-001-362-301, 0-001-362-303, 0-001-362-304, 0-001-362-310, 0-001-362-312, 0-001-362-316, 0-001-362-321, 0-001-362-324

Dim: 312mm OAL

10-Splines

12.42mm Shaft OD, Front Bushing

13.92mm Shaft OD, Rear Bushing

Note: For starters with excessive end play, use 85-4905 shims (14mm ID x 25mm OD x .5mm T)

Features:

- 100% New, WAI Manufactured



61-9126

Armature

12 Volt, CW Rotation

For: Bosch 365 Series DD Starters

Used On: Clayton, Deutz, KHD

Replaces: Bosch 2-004-004-105;

Ref# 5020-3038

Unit Nos: Bosch 0-001-365-004, 0-001-365-005, 0-001-365-006, 0-001-365-007, 0-001-365-008

Dim: 365mm OAL

10-Splines

12.42mm Shaft OD, Front Bushing

13.94mm Shaft OD, Rear Bushing

Features:

- 100% New



61-9133
Armature
12 Volt, CW Rotation

For: Bosch 369 Series DD Starters
Used On: Caterpillar, IHC, JCB, John Deere
Replaces: Bosch 2-004-004-037;
 Ref# 5020-3043
Unit Nos: Bosch 0-001-369-001, -002, -003, -005, -006, -007,
 -015, -022, -023, -200
WAI Ref. Nos: 2-1980-BO, 2-2085-BO
Dim: 322mm OAL
 10-Splines
 12.42mm Shaft OD, Front Bushing
 13.92mm Shaft OD, Rear Bushing
Features:
 • 100% New



61-9135
Armature
12 Volt

For: Bosch 369 Series DD Starters
Used On: Deutz, Ford New Holland, IHC, Marine
Replaces: Bosch 2-004-014-967;
 Ref# 5020-3055
Unit Nos: Bosch 0-001-369-014, 0-001-369-020,
 0-001-369-024
WAI Ref. Nos: 2-1889-BO
Dim: 301mm OAL
 10-Splines
 12.5mm Shaft OD, Front Bushing
 13.95mm Shaft OD, Rear Bushing
Features:
 • 100% New, WAI Manufactured



61-9140
Armature
12 Volt, CW Rotation

For: Bosch 311 Series DD Starters
Used On: (1990-70) Alfa Romeo, Audi, BMW, Fiat, Lancia,
 Mercury, Peugeot, Porsche, Saab, Volvo
Replaces: Bosch 1-004-003-901;
 Ref# 5020-2561
Unit Nos: Bosch 0-001-311-101, -103, -105, -107, -108, -110,
 -112, -113, -114, -116, -118, -120, -121, -122, -123, -124, -125,
 -126, -133, -136, -137, -139, -140, -141, -142, -143, -146, -147,
 -150, -151
 (cont'd.)

(cont'd.)
Lester Nos: 16257, 16353, 16360, 16405, 16414, 16462,
 16531, 16538, 16539, 16541, 16550, 16557, 16616, 16683,
 16781, 16954, 17031

WAI Ref. Nos: 2-1255-BO, 2-1256-BO, 2-1260-BO,
 2-1261-BO, 2-1282-BO, 2-1285-BO, 2-1286-BO, 2-1288-BO,
 2-1295-BO, 2-1314-BO, 2-1319-BO, 2-1320-BO, 2-1343-BO,
 2-1429-BO

Dim: 253mm OAL
 10-Splines
 11.92mm Shaft OD, Front Bushing
 12.42mm Shaft OD, Rear Bushing

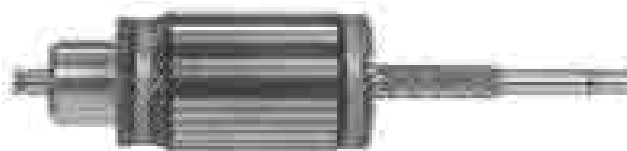
Features:
 • 100% New, WAI Manufactured

DD Starters (24V)



61-9101
Armature
24 Volt, CW Rotation

For: Bosch 368 Series DD Starters
Used On: Deutz, Iveco, Magirus, Volvo White-GMC
Replaces: Bosch 2-004-004-033;
 Ref# 5020-2966
Unit Nos: Bosch 0-001-368-001, -002, -003, -005, -007, -009,
 -010, -011, -012, -013, -017, -018, -019, -020, -021, -023, -024,
 -025, -026, -027, -028, -030, -034, -035, -036, -038, -040, -051,
 -055, -056, -059, -063, -069, -071
Dim: 337mm OAL
 10-Splines
 12.42mm Shaft OD, Front Bushing
 13.92mm Shaft OD, Rear Bushing
Features:
 • 100% New



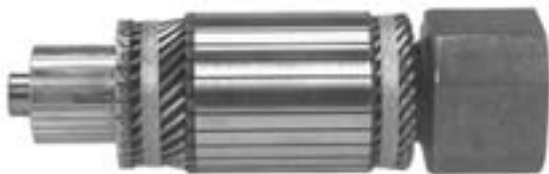
61-9109
Armature
24 Volt, CW Rotation

For: Bosch 360 Series DD Starters
Used On: Deutz, Iveco, Magirus, Volvo White-GMC
Replaces: Bosch 2-004-004-111;
 Ref# 5020-2922
Unit Nos: Bosch 0-001-360-002, -004, -008, -009, -010, -012,
 -013, -015, -016, -017, -018, -019, -022, -024, -026, -027, -029,
 -030, -031, -032, -033, -034, -035, -037, -038, -039, -041, -043,
 -044, -045, -047, -049, -050, -053, -054, -055, -056, -057, -058,
 -060, -061, -063
Dim: 335mm OAL
 10-Splines
 12.42mm Shaft OD, Front Bushing
 13.94mm Shaft OD, Rear Bushing
Features:
 • 100% New

STARTER - ARMATURES (61-)

BOSCH

DD Starters (24V) (cont'd.)



61-9112
Armature
24 Volt

For: Bosch 410, 411, 417 Series DD Starters
Used On: Clark, KHD, MAN, Mercedes-Benz Truck, Volvo White-GMC, Volvo-Penta

Replaces: Bosch 2-004-005-025;
Ref# 5020-2953

Unit Nos: Bosch 0-001-410-015, -016, -019, -021, -022, -024, -029, -032, -034, -035, -037, -041, -043, -044, -045, -046, -049, -050, -052, -053, -058, -062, -063, -065, -067, -068, -069, -075, -077, -078, -081, -083, -087, -088, -090, -092, -094, -097, -098, -101, -102, -104, -106, -109, -111, -113, -115, -117; 0-001-411-001, -002, -004, -005, -006, -007, -009, -010, -012, -013, -014, -015, -016, -017, -019, -020, -021, -022, -024, -025, -026, -027, -028, -031, -032, -035, -036; 0-001-417-003, -004, -011, -017, -020, -031, -033, -036; 9-000-084-007, -008, -012, -024

Dim: 270mm OAL
22mm Shaft OD, Rear Bushing

Features:
• 100% New



61-9113
Armature
24 Volt

For: Bosch 414, 415, 416 Series DD Starters
Used On: Clark, KHD, MAN, Mercedes-Benz Truck, Volvo White-GMC

Replaces: Bosch 2-004-005-022;
Ref# 5020-3016

Unit Nos: Bosch 0-001-402-076; 0-001-414-001, -003, -008, -009, -010, -011, -013, -015, -016, -018, -019, -020, -022; 0-001-415-001, -002, -003, -006, -007, -008, -009, -010, -011, -013, -017, -019, -021, -022, -023, -024, -027; 0-001-416-001, -002, -003, -004, -005, -006, -008, -009, -010, -013, -014, -017, -018, -022, -023, -024, -025, -026, -028, -029, -030, -031, -032, -033, -035, -036, -039, -040, -044, -045, -046, -047, -049, -050, -051, -053, -058, -059, -071

Dim: 235mm OAL
22mm Shaft OD, Rear Bushing

Features:
• 100% New, WAI Manufactured



61-9119
Armature
24 Volt, CW Rotation

For: Bosch 364 Series DD Starters

Used On: Deutz, Magirus

Replaces: Bosch 2-004-004-115;
Ref# 5020-2923

Unit Nos: Bosch 0-001-364-100, 0-001-364-101, 0-001-364-102, 0-001-364-103, 0-001-364-104, 0-001-364-105, 0-001-364-106, 0-001-364-108, 0-001-364-200, 0-001-364-201, 0-001-364-202, 0-001-364-205

Dim: 365mm OAL
10-Splines
12.42mm Shaft OD, Front Bushing
13.94mm Shaft OD, Rear Bushing

Features:
• 100% New, WAI Manufactured



61-9120
Armature
24 Volt, CW Rotation

For: Bosch 420 Series DD Starters

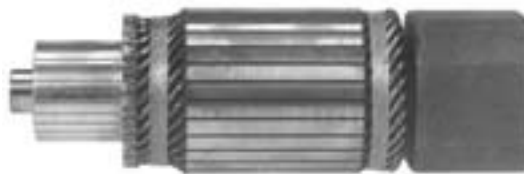
Used On: Caterpillar

Replaces: Bosch 2-004-005-003;
Ref# 5020-2910

Unit Nos: Bosch 0-001-420-001, 0-001-420-003, 0-001-420-004, 0-001-420-006, 0-001-420-007, 0-001-420-008, 0-001-420-009, 0-001-420-010

Dim: 430mm OAL
19-Splines
18.01mm Shaft OD, Front Bushing
18.01mm Shaft OD, Rear Bushing

Features:
• 100% New



61-9124
Armature
24 Volt

For: Bosch 417 Series DD Starters

Used On: MAN, Mercedes-Benz Truck

Replaces: Bosch 2-004-005-023;
Ref# 5020-1691

Unit Nos: Bosch 0-001-417-001, -002, -012, -013, -014, -015, -016, -018, -022, -023, -024, -025, -026, -027, -028, -029, -030, -035, -037, -041, -043, -044, -047, -050, -055, -058, -066, -068

Dim: 256mm OAL
22mm Shaft OD, Rear Bushing

Features:
• 100% New, WAI Manufactured

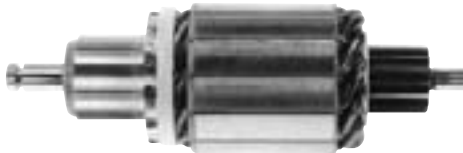
STARTER - ARMATURES (61-)

PLGR Starters



61-9134
Armature
12 Volt, CW Rotation

For: Bosch 218 Series PLGR Starters
Used On: (2001-84) BMW, Mercedes, Volvo (Diesel)
Replaces: Bosch 1-004-012-450;
 Ref# 5020-3011
Unit Nos: Bosch 0-001-218-004, -006, -009, -012, -017, -018, -021, -027, -108, -110, -113, -137, -138, -150
Lester Nos: 17009, 17016, 17040, 17183, 17414
WAI Ref. Nos: 2-1262-BO, 2-1268-BO, 2-1276-BO, 2-1289-BO, 2-1540-BO
Dim: 158mm OAL
 18 Splines
 10mm Shaft OD, Front Bushing
 8mm Shaft OD, Rear Bushing
Features:
 • 100% New, WAI Manufactured



61-9136
Armature
12 Volt, CW Rotation

For: Bosch 218 Series PLGR Starters
Used On: (1999-94) Mercedes; Deutz, Ditch Witch
Replaces: Bosch 9-003-334-031, -032;
 Ref# 5020-3062
Unit Nos: Bosch 0-001-218-162, -172, -173; Mercedes 004-151-71-01
Lester Nos: 17040, 18230
WAI Ref. Nos: 2-1276-BO, 2-1946-BO
Dim: 151mm OAL
 15-Splines
 10mm Shaft OD, Front Bushing
 8mm Shaft OD, Rear Bushing
Features:
 • 100% New, WAI Manufactured

PMGR Starters



61-9125
Armature
12 Volt

For: Bosch 108 Series PMGR Starters
Used On: (2005-83) Alfa Romeo, Audi, BMW, Cadillac, Chrysler, Dodge, Eagle, Jeep, Land Rover, Mercedes, Merkur, Plymouth, Pontiac, Porsche, Renault, Saab, Volkswagen, Volvo
Replaces: Bosch 1-004-011-032, -051, -070;
 Ref# 5020-3013
Unit Nos: Bosch 0-001-108-001, -002, -003, -005, -007, -009, -010, -012, -013, -018, -021, -022, -023, -024, -026, -027, -030, -031, -032, -035, -037, -038, -040, -042, -045, -046, -048, -050, -051, -052, -053, -056, -063, -064, -065, -066, -068, -069, -070, -072, -073, -074, -076, -077, -081, -084, -088, -089, -091, -092, -093, -094, -095, -101, -103, -104, -105, -106, -107, -110, -113, -121, -133, -134, -135, -137, -144, -148, -149, -150, -151, -154, -155, -170
Lester Nos: 16956, 16962, 16963, 16976, 16980, 17011, 17013, 17023, 17039, 17124, 17135, 17139, 17140, 17148, 17163, 17164, 17210, 17218, 17222, 17223, 17225, 17233, 17236, 17276, 17406, 17407, 17508, 17576, 17663, 17670, 17699, 17720
Dim: 138mm OAL
 11-Splines
 7.92mm Shaft OD, Front Bushing
 9.93mm Shaft OD, Rear Bushing
Features:
 • 100% New, WAI Manufactured



61-9127
Armature
12 Volt

For: Bosch 110 Series PMGR Starters
Used On: (1998-88) Chrysler, Dodge, Plymouth, Porsche
Replaces: Bosch 1-004-011-037, -048;
 Ref# 5020-3012
Unit Nos: Bosch 0-001-110-017, -024, -025, -026, -033, -042, -047, -059, -060, -073, -080, -081
Lester Nos: 17047, 17082, 17158, 17279, 17280, 17281, 17282
WAI Ref. Nos: 2-1347-BO, 2-1348-BO, 2-1349-BO, 2-1392-BO, 2-1533-BO
Dim: 163mm OAL
 18-Splines
 7.92mm Shaft OD, Front Bushing
 9.93mm Shaft OD, Rear Bushing
Features:
 • 100% New, WAI Manufactured

STARTER - ARMATURES (61-)

BOSCH

PMGR Starters (cont'd.)



61-9129
Armature
12 Volt

For: Bosch 107 Series PMGR Starters

Used On: (2005-91) Audi, Volkswagen

Replaces: Bosch 1-004-011-042, -062, -068;

Ref# 5020-3040

Unit Nos: Bosch 0-001-107-003, -004, -005, -007, -008, -012, -014, -016, -018, -020, -021, -022, -023, -024, -025, -028, -033, -043, -058, -062, -068, -073, -074, -078; 1-001-107-017

Lester Nos: 17222, 17223, 17415, 17416, 17751

WAI Ref. Nos: 2-1373-BO, 2-1376-BO, 2-1532-BO, 2-1534-BO, 2-1921-BO, 2-1945-BO

Dim: 123mm OAL

11-Splines

7.89mm Shaft OD, Front Bushing

9.93mm Shaft OD, Rear Bushing

Features:

- 100% New, WAI Manufactured



61-9130
Armature
12 Volt

For: Bosch 107 Series PMGR Starters

Used On: (2005-95) Chrysler, Dodge, Eagle, Mercedes, Mitsubishi, Plymouth, Porsche

Replaces: Bosch 1-004-011-058;

Ref# 5020-3041

Unit Nos: Bosch 0-001-107-031, -032, -037, -049, -059, 0-001-121-003; 9-007-045-009, -018

Lester Nos: 17560, 17563, 17572, 17730, 17736, 17758

WAI Ref. Nos: 2-1519-BO, 2-1681-BO, 2-1764-BO, 2-1937-BO, 2-1985-BO

Dim: 123mm OAL

9-Splines

7.89mm Shaft OD, Front Bushing

9.93mm Shaft OD, Rear Bushing

Features:

- 100% New, WAI Manufactured



61-9131
Armature
12 Volt

For: Bosch 110 Series PMGR Starters

Used On: (2002-82) Audi, BMW, Jaguar, Land Rover, Mercedes, Volkswagen, Winnebago

Replaces: Bosch 1-004-011-031, -036, -053;

Ref# 5020-3014

Unit Nos: Bosch 0-001-110-001, -002, -004, -007, -008, -009, -010, -011, -013, -014, -015, -016, -018, -019, -029, -030, -031, -039, -041, -043, -048, -053, -061, -062, -064, -066, -072, -075, -076, -077, -084, -085, -086, -087, -091, -101, -106, -107, -111, -118, -120

Lester Nos: 17030, 17038, 17068, 17149, 17150, 17226, 17227, 17231, 17237, 17410, 17417, 17497, 17690, 17698, 17705

WAI Ref. Nos: 2-1267-BO, 2-1279-BO, 2-1280-BO, 2-1281-BO, 2-1337-BO, 2-1362-BO, 2-1365-BO, 2-1379-BO, 2-1531-BO, 2-1535-BO, 2-1539-BO, 2-1720-BO, 2-1794-BO, 2-1899-BO, 2-1903-BO, 2-1911-BO, 2-1919-BO

Dim: 163mm OAL

15-Splines

7.89mm Shaft OD, Front Bushing

9.93mm Shaft OD, Rear Bushing

Features:

- 100% New, WAI Manufactured



61-9148
Armature
12 Volt

For: Bosch 115 Series PMGR Starters

Used On: (2005-98) Mercedes

Replaces: Bosch 1-004-011-084

Unit Nos: Bosch 0-001-115-005, Mercedes, 112-151-00-01

Lester Nos: 17757

WAI Ref. Nos: 2-1986-BO

Dim: 146mm OAL

11-Splines

8mm Shaft OD, Front Bearing

10mm Shaft OD, Rear Bearing

Features:

- 100% New, WAI Manufactured

STARTER - ARMATURES (61-)



61-9149
Armature
12 Volt

For: Bosch 115 Series PMGR Starters
Used On: (2005-99) Dodge; Volvo
Replaces: Bosch 1-004-011-073, 1-004-011-092
Unit Nos: Bosch 0-001-115-002, 0-001-115-007, 6-004-AA4-000; Chrysler 56028210; Volvo 5003821, 9162400, 9168267
Lester Nos: 17753, 17756, 17787
WAI Ref. Nos: 2-1964-BO, 2-1973-BO, 2-1987-BO
Dim: 146mm OAL
 9-Splines
 8mm Shaft OD, Front Bearing
 10mm Shaft OD, Rear Bearing
Features:
 • 100% New, WAI Manufactured



61-9150
Armature
12 Volt

For: Bosch PMGR Starters
Used On: (2004-98) Dodge, Mercedes, Mini Cooper, Plymouth
Replaces: Bosch 1-004-011-089; Ref# 5020-3035
Unit Nos: Bosch 0-001-106-018, 0-001-106-019, 0-001-115-006, 6-004-AA0-003, B-001-109-143; Chrysler 4793493
Lester Nos: 17790, 17854, 17855
WAI Ref. Nos: 2-1923-BO
Dim: 115mm OAL
 9-Splines
 8mm Shaft OD, Front Bushing
 10mm Shaft OD, Rear Bushing
Features:
 • 100% New, WAI Manufactured



61-9151
Armature
12 Volt

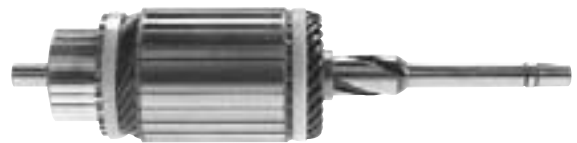
For: Bosch PMGR Starters
Used On: (2004-98) Audi, Mercedes, VW
Replaces: Bosch 1-004-011-083, 1-004-011-096; Ref# 5020-3188
 (cont'd.)

(cont'd.)

Unit Nos: Bosch 0-001-107-072, 0-001-121-006, 0-001-121-007, 0-001-121-008, 0-001-121-009, 0-001-121-010
Lester Nos: 17730, 17780, 17781
WAI Ref. Nos: 2-1764-BO, 2-1975-BO, 2-2116-BO
Dim: 123mm OAL
 14-Splines
 8mm Shaft OD, Front Bushing
 10mm Shaft OD, Rear Bushing
Features:
 • 100% New, WAI Manufactured

DELCO

5MT, SD200-SD260 Series



61-132
Armature
12 Volt, CW Rotation

For: Delco 5MT, SD250, SD255, SD260 Series DD Starters
Replaces: Delco 10471537, 10495881, D4141, D4146, D4150, D4160; Ref# 5040-2214
Dim: 256mm OAL
 3-Splines
 11.07mm Shaft OD, Front Bushing
 11.07mm Shaft OD, Rear Bushing
Note: Used w/ 8-118 needle bearing.
Features:
 • 100% New, WAI Manufactured



61-139
Armature
12 Volt, CW Rotation

For: Delco 5MT, SD200, SD205, SD210 Series DD Starters
Replaces: Delco 10456406, 10467708; Ref# 5040-2091
Dim: 256mm OAL
 3-Splines
 11.89mm Shaft OD, Front Bushing
 11.89mm Shaft OD, Rear Bushing
Note: Used w/ 62-1402 bushing.
Components:
 61-1701 Collar
Features:
 • 100% New, WAI Manufactured

STARTER - ARMATURES (61-)

DELCO

10MT, SD300 Series



61-107 Armature

12 Volt, CW Rotation, High Torque

For: Delco 10MT, SD300 Series DD Starters

Replaces: Delco 1940624, 1965724, 1970548, 10470773, 10498863, D4111, D4121, D4124, D4143, D4159;

Ref# 5040-2280

Dim: 282mm OAL

3-Splines

11.89mm Shaft OD, Front Bushing

14.20mm Shaft OD, Rear Bushing

Components:

61-1201 Commutator

Features:

- 100% New, WAI Manufactured

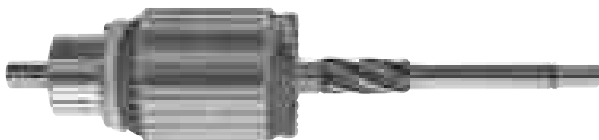
61-107-1 Armature

12 Volt, CW Rotation, High Torque

Same as 61-107 except...

Features:

- Bulk packaged, 20/case



61-136 Armature

12 Volt, CW Rotation, Low Torque

For: Delco 10MT, SD300 Series DD Wet Clutch Starters

Used On: Farm, Industrial & Lift Truck Applications

Replaces: Delco 1950307;

Ref# 5040-1867

Dim: 300mm OAL

6-Splines

12.37mm Shaft OD, Front Bushing

14.22mm Shaft OD, Rear Bushing

Features:

- 100% New, WAI Manufactured

20-27MT Series



61-133

Armature

12 Volt, CW Rotation

For: Delco 20MT, 22MT, 25MT, 27MT Series DD Starters

Replaces: Delco 1876366, 1949190, 1950417, 1960866;
Ref# 5040-2204

Dim: 335mm OAL

6-Splines

12.65mm Shaft OD, Front Bushing

14.22mm Shaft OD, Rear Bushing

Components:

61-1201 Commutator

Features:

- 100% New, WAI Manufactured



61-134

Armature

12 Volt, CW Rotation

For: Delco 20MT, 25MT, 27MT Series DD Starters

Replaces: Delco 1893449, 1974786, D4128;
Ref# 5040-2276

Lester Nos: 3601, 3725, 3764, 6305, 6343

Dim: 328mm OAL

3-Splines

12.6mm Shaft OD, Front Bushing

14.2mm Shaft OD, Rear Bushing

Components:

61-1201 Commutator

Features:

- 100% New, WAI Manufactured

28MT Series



61-8400

Armature

12 Volt

For: Delco 28MT Series OSGR Starters

Replaces: Delco 10456466, D4161;

Ref# 5085-2856

Dim: 177mm OAL

8-Splines

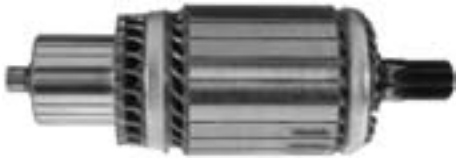
17mm Shaft OD, Front Bearing

10mm Shaft OD, Rear Bearing

Features:

- 100% New, WAI Manufactured

STARTER - ARMATURES (61-)



61-8401
Armature
24 Volt

For: Delco 28MT Series OSGR Starters

Replaces: Delco 10457117;

Ref# 5085-2857

Dim: 177mm OAL

8-Splines

17mm Shaft OD, Front Bearing

10mm Shaft OD, Rear Bearing

Features:

- 100% New, WAI Manufactured

30MT, 35MT Series



61-114
Armature
12-24 Volt, CW Rotation

For: Delco 30MT Series DD Starters

Replaces: Delco 1932872, 1935259, 1942244, 1967042, D4123;

Ref# 5040-1802

Dim: 352mm OAL

6-Splines

14.22mm Shaft OD, Front Bushing

14.22mm Shaft OD, Rear Bushing

Features:

- 100% New, WAI Manufactured



61-115
Armature
12 Volt, CW Rotation

For: Delco 35MT Series Internal Rotatable DD Starters

Replaces: Delco 1948999, 1967045;

Ref# 5040-2080

Dim: 394mm OAL

3-Splines

14.22mm Shaft OD, Front Bushing

14.22mm Shaft OD, Rear Bushing

Features:

- 100% New, WAI Manufactured

37MT Series



61-118
Armature
12 Volt, CW Rotation

For: Delco 37MT Series DD Starters

Replaces: Delco 1985249;

Ref# 5040-1710

Dim: 391mm OAL

3-Splines

14.22mm Shaft OD, Front Bushing

14.22mm Shaft OD, Rear Bushing

Features:

- 100% New, WAI Manufactured



61-119
Armature
24 Volt, CW Rotation

For: Delco 37MT Series DD Starters

Replaces: Delco 1988322;

Ref# 5040-1711

Dim: 391mm OAL

3-Splines

14.22mm Shaft OD, Front Bushing

14.22mm Shaft OD, Rear Bushing

Features:

- 100% New, WAI Manufactured

39MT Series



61-151
Armature
12 Volt

For: Delco 39MT Series PLGR Starters

Replaces: Delco 10511758

Unit Nos: Delco 8200037; 19011514, 516, 517, 518, 521, 531

Lester Nos: 6802, 04, 06, 14, 18, 22

Dim: 197mm OAL

20-Splines

15mm Shaft OD, Front Bushing

12mm Shaft OD, Rear Bushing

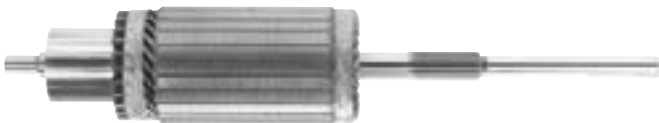
Features:

- 100% New, WAI Manufactured

STARTER - ARMATURES (61-)

DELCO

40MT Series



61-120
Armature
12 Volt

For: Delco 40MT Series DD Starters

Replaces: Delco 1961320;

Ref# 5040-1866

Dim: 467mm OAL

19-Splines

15.80mm Shaft OD, Front Bushing

14.22mm Shaft OD, Rear Bushing

Features:

- 100% New, WAI Manufactured



61-121
Armature
24-32 Volt

For: Delco 40MT Series DD Starters

Replaces: Delco 1945500, 1948508;

Ref# 5040-2023

Dim: 467mm OAL

19-Splines

15.80mm Shaft OD, Front Bushing

14.22mm Shaft OD, Rear Bushing

Features:

- 100% New, WAI Manufactured

41MT Series



61-143
Armature
12 Volt

For: Delco 41MT Series DD Starters

Replaces: Delco 10473852;

Ref# 5040-1688

Dim: 391mm OAL

19-Splines

15.80mm Shaft OD, Front Bushing

14.22mm Shaft OD, Rear Bushing

Features:

- 100% New, WAI Manufactured



61-144
Armature
24 Volt

For: Delco 41MT Series DD Starters

Replaces: Delco 10472559;

Ref# 5040-2992

Dim: 391mm OAL

19-Splines

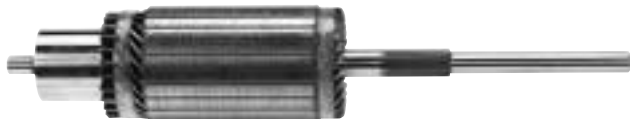
15.80mm Shaft OD, Front Bushing

14.22mm Shaft OD, Rear Bushing

Features:

- 100% New, WAI Manufactured

42MT Series



61-122
Armature
12 Volt

For: Delco 42MT Series DD Starters

Replaces: Delco 1987989;

Ref# 1728, 2049; 5040-2049

Dim: 451mm OAL

19-Splines

15.80mm Shaft OD, Front Bushing

14.22mm Shaft OD, Rear Bushing

Features:

- 100% New, WAI Manufactured



61-123
Armature
24 Volt

For: Delco 42MT Series DD Starters

Replaces: Delco 1988435;

Ref# 5040-1721

Dim: 451mm OAL

19-Splines

15.80mm Shaft OD, Front Bushing

14.22mm Shaft OD, Rear Bushing

Features:

- 100% New, WAI Manufactured

STARTER - ARMATURES (61-)

50MT Series



61-124
Armature
24-32 Volt

For: Delco 50MT Series DD Starters

Replaces: Delco 1945840;

Ref# 5040-2097

Dim: 483mm OAL

19-Splines

15.80mm Shaft OD, Front Bushing

17.32mm Shaft OD, Rear Bushing

Features:

- 100% New, WAI Manufactured



61-125
Armature
24 Volt, Long Shaft

For: Delco 50MT Series DD Starters w/ Long Nose D.E. Housing

Replaces: Delco 1951254;

Ref# 5040-1981

Dim: 530mm OAL

19-Splines

15.80mm Shaft OD, Front Bushing

17.32mm Shaft OD, Rear Bushing

Features:

- 100% New, WAI Manufactured



61-126
Armature
12 Volt

For: Delco 50MT Series DD Starters

Replaces: Delco 1977818;

Ref# 5040-2739

Dim: 483mm OAL

19-Splines

15.80mm Shaft OD, Front Bushing

17.32mm Shaft OD, Rear Bushing

Features:

- 100% New



61-142
Armature
32-64 Volt

For: Delco 50MT Series DD Starters

Replaces: Delco 1945913, 1967349;

Ref# 5040-1993

Dim: 483mm OAL

19-Splines

15.80mm Shaft OD, Front Bushing

17.32mm Shaft OD, Rear Bushing

Features:

- 100% New, WAI Manufactured

PG200 Series



61-137
Armature
12 Volt, CW Rotation

For: Delco PG200 Series PMGR Starters

Replaces: Delco 10498530, D4151;

Ref# 5040-2336

Dim: 140mm OAL

24-Splines

9.50mm Shaft OD, Front Bushing

8.00mm Shaft OD, Rear Bushing

Features:

- 100% New, WAI Manufactured



61-138
Armature
12 Volt, CW Rotation

For: Delco PG200, PG250 Series PMGR Starters

Replaces: Delco 10498616, D4153;

Ref# 5040-2743

Dim: 140mm OAL

31-Splines

9.50mm Shaft OD, Front Bushing

8.00mm Shaft OD, Rear Bushing

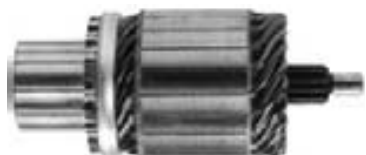
Features:

- 100% New, WAI Manufactured

STARTER - ARMATURES (61-)

DELCO

PG260 Series



**61-140-1
Armature
12 Volt**

For: Delco PG260M Series PMGR Starters

Replaces: Delco 10475588;

Ref# 5040-3400

Dim: 121mm OAL

12-Splines

7.97mm Shaft OD, Front Bushing

9.75mm Shaft OD, Rear Bushing

Features:

- 100% New, WAI Manufactured



**61-145-1
Armature
12 Volt**

For: Delco PG150S, PG260F1 Series PMGR Starters

Replaces: Ref# 5040-2335

Unit Nos: Delco 9000794, 9000833, 9000839, 9000840, 9000847, 9000859, 21020761

Lester Nos: 6445, 6481, 6723, 6724

Dim: 128mm OAL

16-Splines

8.00mm Shaft OD, Front Bushing

8.00mm Shaft OD, Rear Bushing

Features:

- 100% New, WAI Manufactured

**61-145
Armature
12 Volt**

Same as 61-145-1 except...

Features:

- 100% New
- Mfd. by OE Supplier



**61-146
Armature
12 Volt**

For: Delco PG260F2 Series, Mitsubishi PMGR Starters

Used On: (2002-92) Buick, Chevrolet, Ford, GMC, Infiniti, Isuzu, Jeep, Mazda, Mercury, Nissan, Oldsmobile, Pontiac

Replaces: Delco 10492437;

Ref# 5003-3301

Unit Nos: Delco 9000836, 9000841, 9000854, 9000857, 9000858, 24506694; Mitsubishi M1T64285, M1T74283, M1T74287, M1T74381A, M1T74781A, M1T75181A, M1T75581, M1T76081

Lester Nos: 17006, 17133, 17180, 17467, 17470, 17479, 17541, 6484, 6485, 6488

Dim: 143mm OAL

11-Splines

10.00mm Shaft OD, Front Bushing

10.00mm Shaft OD, Rear Bushing

Features:

- 100% New, WAI Manufactured



**61-147
Armature
12 Volt**

For: Delco PG260D Series PMGR Starters

Used On: (2004-01) Buick, Cadillac, Chevrolet, GMC, Nissan, Oldsmobile, Pontiac

Replaces: Ref# 5040-3411

Unit Nos: Delco 8000045, 8000058, 9000856, 9000868, 9000901, 9000908, 9000933, 9000939, 9000951, 9000977, 10455504, 89017523

Lester Nos: 6491, 6493, 6494

Dim: 109mm OAL

10-Splines

7.0mm Shaft OD, Front Bushing

6.0mm Shaft OD, Rear Bushing

Features:

- 100% New, WAI Manufactured



**61-148
Armature
12 Volt**

For: Delco PG260G Series PMGR Starters

Used On: (2004-01) Buick, Cadillac, Chevrolet, GMC, Isuzu, Oldsmobile, Pontiac

(cont'd.)

STARTER - ARMATURES (61-)

(cont'd.)

Unit Nos: Delco 8000059, 9000871, 9000872, 9000873, 9000884, 9000910, 9000925, 9000964, 9000973, 12563718, 12563719, 12564107, 12564111, 12572716, 12573853, 12583114

Lester Nos: 6484, 6485, 6489, 6792

Dim: 123mm OAL

11-Splines

10.0mm Shaft OD, Front Bushing

10.0mm Shaft OD, Rear Bushing

Features:

- 100% New, WAI Manufactured



61-149
Armature
12 Volt

For: Delco PG260L Series PMGR Starters

Used On: (2005-01) AM General, Buick, Cadillac, Chevrolet, GMC, Isuzu, Oldsmobile, Pontiac

Unit Nos: Delco 8000052, 8000061, 9000874, 9000875, 9000876, 9000878, 9000879, 9000880, 9000881, 9000882, 9000885, 9000895, 9000896, 9000904, 9000926, 9000927, 9000931, 9000962, 9000966, 9000979, 12563863, 12563916, 12563919, 12564108, 12564109, 12564110, 12567398, 12570823, 12571039, 12572141, 12573852, 12574145, 12574832, 12574859, 12583115, 12584048, 12588785, 12592295, 12593688, 15749578

Lester Nos: 6449, 6471, 6472, 6480, 6482, 6490, 6492

Dim: 139mm OAL

11-Splines

10.0mm Shaft OD, Front Bushing

10.0mm Shaft OD, Rear Bushing

Features:

- 100% New, WAI Manufactured

ELECTROPRECIZIA (ROMANIA)



61-9900
Armature
12 Volt

For: Electroprecizia DD Starters (Romanian)

Used On: Allis-Chalmers, Long Tractor

Replaces: Ref# 5005-3020

Unit Nos: Electroprecizia DM2130, DM2134

WAI Ref. Nos: 2-1805-RO

Dim: 312mm OAL

6-Splines

13.94mm Shaft OD, Front Bushing

13.94mm Shaft OD, Rear Bushing

Features:

- 100% New

FORD

4" Starters



61-200
Armature
12 Volt, CW Rotation

For: Ford 4" Mod II DD Starters w/ Deep C.E. Cover

Replaces: Ford E2BZ-11005-A, SM-456;

Ref# 5050-2104

Dim: 236mm OAL

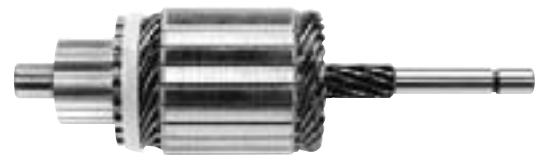
12-Splines

11.89mm Shaft OD, Front Bushing

15.88mm Shaft OD, Rear Bushing

Features:

- 100% New, WAI Manufactured



61-203
Armature
12 Volt, CW Rotation

For: Ford 4" Mod II DD Starters w/ Shallow C.E. Cover

Replaces: Ford E2FZ-11005-A, E3FZ-11005-A, SM-459, SM-462;

Ref# 5050-2118

Dim: 210mm OAL

12-Splines

11.89mm Shaft OD, Front Bushing

15.85mm Shaft OD, Rear Bushing

Features:

- 100% New, WAI Manufactured

61-203-1

Armature

12 Volt, CW Rotation

Same as 61-203 except...

Features:

- Bulk packaged, 20/case

STARTER - ARMATURES (61-)

FORD

4-1/2" Starters



61-207

Armature

12 Volt, CW Rotation

For: Ford 4-1/2", 4-1/2" Mod I, 4-1/2" Mod II DD Starters

Replaces: Ford C4TZ-11005-A, C4TZ-11005-B, C6VY-11005-A, C6VY-11005-B, D0AZ-11005-A, D0OZ-11005-A, D0TZ-11005-A, D5AZ-11005-A, D6TZ-11005-A, D7AZ-11005-A, SM-335-A;

Ref# 5050-2000

Dim: 238mm OAL

12-Splines

11.91mm Shaft OD, Front Bushing

15.85mm Shaft OD, Rear Bushing

Features:

- 100% New, WAI Manufactured

61-207-1

Armature

12 Volt, CW Rotation

Same as 61-207 except...

Features:

- Bulk packaged, 20/case

OSGR Starters



61-209

Armature

12 Volt

For: Ford OSGR Starters

Replaces: Ford E4FZ-11005-A, SM-461;

Ref# 5050-2740

Lester Nos: 3193, 3194

Dim: 170mm OAL

9-Splines

15.88mm Shaft OD, Front Bearing

15.88mm Shaft OD, Rear Bearing

Features:

- 100% New, WAI Manufactured



61-212

Armature

12 Volt, CW Rotation

For: Ford 3.0kW OSGR Starters

Used On: (2005-01) Ford 6.0L, 7.3L (Diesel)

Unit Nos: Ford 1C3U-11000-AA, -AB, -AE; 1C3Z-11002-AA; 2C3T-11000-AA, -AB; 2C3Z-11002-AA, 3C3U-11000-AB, -AC; 3C3Z-11002-AA

Lester Nos: 6669, 6670

Dim: 180mm OAL

9-Splines

17.0mm Shaft OD, Front Bearing

10.0mm Shaft OD, Rear Bearing

Features:

- 100% New, WAI Manufactured

PMGR Starters



61-210-1

Armature

12 Volt

For: Ford PMGR Starters

Replaces: Ford F2TZ-11005-A, SM-482;

Ref# 5050-2390

Dim: 129mm OAL

11-Splines

10mm Shaft OD, Front Bushing

11.93mm Shaft OD, Rear Bushing

Note: 1st production armature. Used w/ 76-2809 planetary shaft. Similar to 61-211 except 61-211 is 127mm OAL

Components:

61-2201 Commutator

Features:

- 100% New, WAI Manufactured



61-211

Armature

12 Volt

For: Ford PMGR, PMGR Noseless Starters

Replaces: Ref# 5050-3000

Dim: 127mm OAL

11-Splines

10mm Shaft OD, Front Bushing

11.93mm Shaft OD, Rear Bushing

(cont'd.)

STARTER - ARMATURES (61-)

(cont'd.)

Note: 2nd production armature. Used w/ 76-2822 planetary shaft. Similar to 61-210-1 except 61-210-1 is 129mm OAL.

Components:

61-2201 Commutator

Features:

- 100% New, WAI Manufactured



**61-211-1
Armature Kit
12 Volt**

Same as 61-211 except...

Note: 61-211-1 armature & ball kit can be used with either 1st or 2nd production planetary shafts.



**61-215
Armature
12 Volt**

For: Ford PMGR External Thru Bolt Starters

Used On: (2004-00) Jaguar, Lincoln

Unit Nos: Ford 96BB-11000-AA, XW4U-11000-AC, XW4Z-11002-AC; Jaguar C2C-1127

Lester Nos: 6651

Dim: 122mm OAL

9-Splines

7mm Shaft OD, Front Bushing

7mm Shaft OD, Rear Bushing

Features:

- 100% New, WAI Manufactured

HITACHI

DD Starters



**61-8101
Armature
12 Volt, CW Rotation**

For: Hitachi 1.6kW DD Starters

Used On: Thermo King, Yanmar

Replaces: Ref# 5004-2727

(cont'd.)

(cont'd.)

Unit Nos: Hitachi S12-19C, S12-23, S12-39, S12-41A, S12-59; S12-63, A, B, C; S12-68A; S12-77, A; S12-79, S12-82

Lester Nos: 16771, 16808, 17088

WAI Ref. Nos: 2-1089-HI, 2-1734-HI, 2-2032-HI

Dim: 279mm OAL

12-Splines

13.94mm Shaft OD, Front Bushing

14.94mm Shaft OD, Rear Bushing

Features:

- 100% New, WAI Manufactured



**61-8103
Armature
12 Volt, CW Rotation**

For: Hitachi 1.2kW, 1.3kW DD Starters

Used On: (1987-70) Isuzu, Nissan, Yanmar

Replaces: Ref# 5004-2304

Unit Nos: Hitachi S114-146, S114-180; S114-218, A; S114-219, S114-230; S114-235, A; S114-240, S114-244; S114-247, A; S114-295, S114-381, S114-382, S114-608A

Lester Nos: 16203, 16773, 16877, 16993

WAI Ref. Nos: 2-1079-HI, 2-1085-HI, 2-1112-HI, 2-1437-HI, 2-2007-HI, 2-2015-HI

Dim: 206mm OAL

10-Splines

12.44mm Shaft OD, Front Bushing

12.44mm Shaft OD, Rear Bushing

48mm Lam Stack L

Features:

- 100% New, WAI Manufactured



**61-8105
Armature
12 Volt, CW Rotation**

For: Hitachi 1.0kW DD Starters

Used On: Gehl Skid Steer, Hydra-Mac Equipment w/ Isuzu Engines

Replaces: Hitachi 2114-61103;

Ref# 5004-3108

Unit Nos: Hitachi S114-385; Isuzu 5-81100-192-0, -1

Lester Nos: 18056

WAI Ref. Nos: 2-1855-HI

Dim: 207mm OAL

10-Splines

12.44mm Shaft OD, Front Bushing

12.44mm Shaft OD, Rear Bushing

45mm Lam Stack L

Features:

- 100% New, WAI Manufactured

STARTER - ARMATURES (61-)

HITACHI

DD Starters (cont'd.)



61-8108

Armature

12 Volt, CW Rotation

For: Hitachi 2.1kW, 2.2kW DD Starters
Used On: Lift Truck, Allis-Chalmers, Ford Tractor, Ishikawajima
Replaces: Ref# 5004-3112
Unit Nos: Hitachi S13-14, S13-28, S13-31, S13-32, S13-32A, S13-55
Lester Nos: 16739
WAI Ref. Nos: 2-1193-HI
Dim: 300mm OAL
 12 Splines
 13.92mm Shaft OD, Front Bushing
 13.92mm Shaft OD, Rear Bushing
Features:
 • 100% New, WAI Manufactured



61-8119

Armature

12 Volt, CW Rotation

For: Hitachi 0.8kW DD Starters
Used On: (1991-81) Nissan
Replaces: Ref# 5004-2741
Unit Nos: Hitachi S114-320; S114-348, A; S114-391A, S114-426, S114-605; S114-607, A, C
Lester Nos: 16774, 16805, 16992
WAI Ref. Nos: 2-1086-HI, 2-1094-HI, 2-1113-HI
Dim: 190mm OAL
 10-Splines
 12.5mm Shaft OD, Front Bushing
 12.5mm Shaft OD, Rear Bushing
Features:
 • 100% New, WAI Manufactured



61-8121

Armature

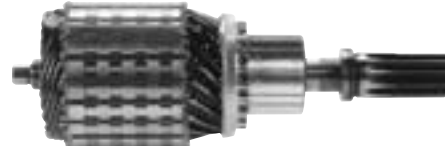
12 Volt, CW Rotation

For: Hitachi 0.8-1.0kW DD Starters
Used On: (1983-72) Nissan
Replaces: Ref# 5004-2499
Unit Nos: Hitachi S114-170, B, E; S114-202, A; S114-203; S114-229E, F; Nissan 23300-U0100, -U0101, -U0102, -W0400, -W0401
 (cont'd.)

(cont'd.)

Lester Nos: 16203, 16270, 16711, 18218
WAI Ref. Nos: 2-1079-HI, 2-1087-HI, 2-1192-HI
Dim: 206mm OAL
 10-Splines
 12.5mm Shaft OD, Front Bushing
 12.5mm Shaft OD, Rear Bushing
Features:
 • 100% New, WAI Manufactured

OSGR Starters (12V)

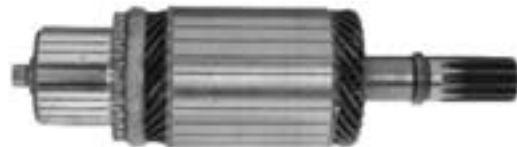


61-8100

Armature

12 Volt

For: Hitachi 1.2kW OSGR Starters
Used On: (1989-79) Nissan; Massey Ferguson
Replaces: Hitachi 2114-61005; Nissan 23310-M4900, 23310-M5900;
 Ref# 5004-2303
Unit Nos: Hitachi S114-252, A, C, E, F; S114-253, B; S114-256B; S114-258, A, C; S114-268A; S114-296, A; S114-322A, S114-344; S114-393, A, S114-450
Lester Nos: 16611, 16694, 16803, 16982, 16986, 18202
WAI Ref. Nos: 2-1080-HI, 2-1084-HI, 2-1095-HI, 2-1105-HI,
Dim: 160mm OAL
 11-Splines
 17mm Shaft OD, Front Bearing
 8mm Shaft OD, Rear Bearing
Note: Used w/ 6-608-4 & 6-903-4 ball bearings
Features:
 • 100% New, WAI Manufactured



61-8106-1

Armature

12 Volt

For: Hitachi 2.0kW OSGR Starters
Used On: Thermo King
Replaces: Ref# 5004-2765
Unit Nos: Hitachi S13-71, S13-75, S13-82A, S13-84, S13-89A, S13-89B, S13-94, S13-102
Lester Nos: 17088
WAI Ref. Nos: 2-1734-HI, 2-1776-HI
Dim: 188mm OAL
 11-Splines
 17mm Shaft OD, Front Bearing
 8mm Shaft OD, Rear Bearing
Note: Used w/ 6-608-4 & 6-903-4 ball bearings
Features:
 • 100% New, WAI Manufactured

61-8106
Armature
12 Volt

Same as 61-8106-1 except...

Features:

- 100% New
- Made in Japan to OE Specifications
- Includes 6-608-4 & 6-903-4 ball bearings



61-8111
Armature
12 Volt

For: Hitachi 1.8kW, 1.9kW, 2.5kW OSGR Starters

Used On: (1986-83) Nissan (Diesel); Isuzu, John Deere, Marine, Massey Ferguson, Yanmar

Replaces: Ref# 5004-2727

Unit Nos: Hitachi S13-33A, B; S13-40, A; S13-41, A; S13-45, A, B; S13-46, A; S13-78

Lester Nos: 16771

WAI Ref. Nos: 2-1088-HI, 2-2016-HI

Dim: 165mm OAL

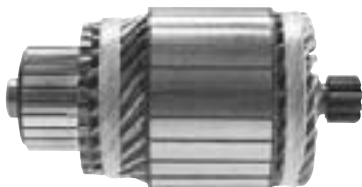
11-Splines

25mm Shaft OD, Front Bearing

12mm Shaft OD, Rear Bearing

Features:

- 100% New, WAI Manufactured



61-8112
Armature
12 Volt

For: Hitachi 1.2kW, 1.4kW PMGR Starters

Used On: (1995-86) Nissan

Replaces: Ref# 5004-3100

Unit Nos: Hitachi S114-503A; S114-516, A; S114-519A; S114-528, A

Lester Nos: 16817, 17161, 17196

WAI Ref. Nos: 2-1107-HI, 2-1115-HI, 2-1123-HI, 2-1446-HI

Dim: 111mm OAL

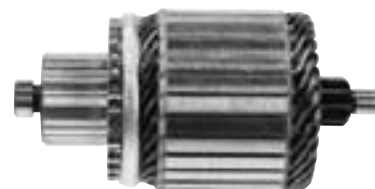
10-Splines

16mm Shaft OD, Front Bushing

12.5mm Shaft OD, Rear Bushing

Features:

- 100% New, WAI Manufactured



61-8113
Armature
12 Volt

For: Hitachi 1.2kW, 1.4kW PMGR Starters

Used On: (2002-92) Acura, Isuzu, Nissan

Replaces: Ref# 5004-3102

Unit Nos: Hitachi S114-753, C; S114-754A, S114-755, S114-766A, S114-767, S114-769

Lester Nos: 17146, 17295, 17476, 17477, 17479, 17509

WAI Ref. Nos: 2-1117-HI, 2-1441-HI, 2-1542-HI, 2-1560-HI, 2-1611-HI

Dim: 110mm OAL

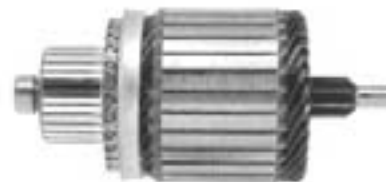
10-Splines

8.03mm Shaft OD, Front Bushing

12.03mm Shaft OD, Rear Bushing

Features:

- 100% New, WAI Manufactured



61-8114
Armature
12 Volt

For: Hitachi 1.2kW, 1.4kW PMGR Starters

Used On: (1999-95) Infiniti, Nissan

Replaces: Ref# 5004-3107

Unit Nos: Hitachi S114-800B; S114-801A, B, C; S114-802A, S114-806A, S114-814, S114-815, S114-822

Lester Nos: 17146, 17246, 17695, 17713

WAI Ref. Nos: 2-1117-HI, 2-1128-HI, 2-1694-HI, 2-1856-HI, 2-1935-HI, 2-2009-HI

Dim: 110mm OAL

8-Splines

6.67mm Shaft OD, Front Bearing

11.87mm Shaft OD, Rear Bearing

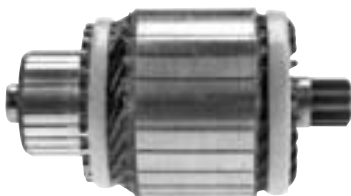
Features:

- 100% New, WAI Manufactured

STARTER - ARMATURES (61-)

HITACHI

OSGR Starters (12V) (cont'd.)



61-8115
Armature
12 Volt

For: Hitachi 1.2kW PMGR Starters
Used On: (1995-89) Nissan
Replaces: Ref# 5004-3101
Unit Nos: Hitachi S114-517C, S114-520B; S114-527, A, B; S114-534; S114-701A, C
Lester Nos: 17146, 17246, 17454
WAI Ref. Nos: 2-1117-HI, 2-1122-HI, 2-1128-HI
Dim: 105mm OAL
 10-Splines
 12.5mm Shaft OD, Front Bushing
 16.95mm Shaft OD, Rear Bushing
Features:
 • 100% New, WAI Manufactured



61-8120
Armature
12 Volt

For: Hitachi 1.7kW PMGR Starters
Used On: (1994-92) Mercury, Nissan
Replaces: Ref# 5004-3115
Unit Nos: Ford F3XA-11000-AA, F3XY-11002-A; Hitachi S114-756, S114-757; Nissan 23300-0B001, 23300-97E01
Lester Nos: 17479
WAI Ref. Nos: 2-1441-HI
Dim: 117mm OAL
 10-Splines
 8mm Shaft OD, Front Bushing
 12mm Shaft OD, Rear Bushing
Features:
 • 100% New, WAI Manufactured

OSGR Starters (24V)



61-8110
Armature
24 Volt

For: Hitachi 4.0kW, 4.5kW OSGR Starters
Used On: John Deere, Kobelco America, Nissan Lift Truck
Replaces: Ref# 5004-3109
Unit Nos: Hitachi S25-110, A, B, C, F, G, L; S25-121A, S25-137B, S25-142A, S25-156; S25-158A, B; S25-164A
WAI Ref. Nos: 2-2037-HI
Dim: 166mm OAL
 11-Splines
 25mm Shaft OD, Front Bearing
 12mm Shaft OD, Rear Bearing
Components:
 6-101-4 Ball Bearing
 6-905-4 Ball Bearing
Features:
 • 100% New, WAI Manufactured

LUCAS



61-9202
Armature
12 Volt, CW Rotation, 17° Helix

For: Lucas M50 Series DD Starters
Used On: Ford Tractor
Replaces: Lucas TJB107; Ref# 5080-2368
Unit Nos: Lucas 26211, 26246, 26274, 26282, 26291, 26294, 26295, 26298, 26304, 26312
Dim: 303mm OAL
 3-Splines
 16.97mm Shaft OD, Front Bushing
 12.65mm Shaft OD, Rear Bushing
Features:
 • 100% New



61-9203
Armature
12 Volt, CW Rotation, 17° Helix

For: Lucas M50 Series DD Starters
Used On: Ford Tractor
Replaces: Lucas TJB103; Ref# 5080-2383
 (cont'd.)

STARTER - ARMATURES (61-)

(cont'd.)

Unit Nos: Lucas 26211, 26227, 26246, 26265, 26274, 26291, 26294, 26295, 26304, 26312, 26316, 26323, 26338, 26339, 26341, 26343, 26345, 26351, 26352, 26357, 26358, 26359, 26366, 26369, 26376, 26379, 26388, 26395, 26404, 26407, 26414, 26423, 26431

Dim: 303mm OAL

12-Splines

16.97mm Shaft OD, Front Bushing

12.65mm Shaft OD, Rear Bushing

Features:

- 100% New



61-9204

Armature

12 Volt, CW Rotation, 17° Helix

For: Lucas M50 Series DD Starters

Used On: IHC

Replaces: Lucas TJB104;

Ref# 5080-2993

Unit Nos: Lucas 26336, 26342, 26349, 26363, 26384, 26398, 26416, 26421, 26428, 26429, 26433, 26435

Dim: 330mm OAL

12-Splines

16.97mm Shaft OD, Front Bushing

12.65mm Shaft OD, Rear Bushing

Features:

- 100% New



61-9205

Armature

12 Volt, CW Rotation, 32° Helix

For: Lucas M127 Series DD Starters

Used On: Allis-Chalmers, JCB, Perkins

Replaces: Lucas 54268382, 54292376, TJB114

Unit Nos: Lucas 27500, 27515, 27516, 27518, 27519, 27528, 27536, 27539, 27540, 27541, 27553, 27554, 27565, 27569, 27572

Dim: 303mm OAL

12-Splines

16.97mm Shaft OD, Front Bushing

12.65mm Shaft OD, Rear Bushing

Features:

- 100% New



61-9206

Armature

12 Volt, CW Rotation, 32° Helix

For: Lucas 2M113, M45G Series DD Starters

Used On: Massey Ferguson

Replaces: Lucas TIB108;

Ref# 5080-3025

Unit Nos: Lucas 26215, 26275, 26278, 26364, 26371, 26375, 26400, 26412, 26413, 26422, 27409, 27411, 27413, 27417, 27426, 27431, 27432, 27433

Dim: 303mm OAL

12-Splines

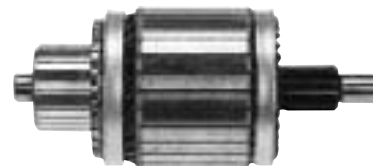
16.97mm Shaft OD, Front Bushing

12.65mm Shaft OD, Rear Bushing

Features:

- 100% New

MANDO



61-8313

Armature

12 Volt

For: Mando, Mitsubishi 1.2, 1.4kW PMGR Starters

Used On: (2005-89) Chrysler, Dodge, Eagle, Ford, Hyundai, Jeep, Mazda, Mitsubishi, Nissan, Plymouth, Subaru; Clark

Replaces: Ref# 5003-3312

Unit Nos: Mando M52100, M53436, M53486, MP112033, MP112040, MP112042; Mitsubishi M1T60081, M1T60281, M1T60285, M1T60381, M1T70483, M1T70881A, M1T71281A, M1T71681A, M1T71781A, M1T71881A, M1T72085, M1T72281, M1T72281A, M1T72583, M1T72583G, M1T72981A, M1T73581, M1T73881, M1T77181, M1T77381, M1T77581, M1T77781, M1T77881, M1T78181, M1T78381, M1T78481, M1T78581, M1T78981, M1T79081, M1T79481, M1T79482, M1T79681, M1T96081

Lester Nos: 16930, 939; 17046, 131, 132, 146, 151, 161, 167, 192, 217, 221, 425, 461, 469, 478, 480, 505, 514, 539, 557, 559, 564, 566, 686, 689, 708, 709

Dim: 121mm OAL

11-Splines

10mm Shaft OD Front Bearing

10mm Shaft OD Rear Bearing

Features:

- 100% New, WAI Manufactured

STARTER - ARMATURES (61-)

MARELLI



61-9301
Armature
24 Volt

For: Marelli 4.0kW DD Starters
Used On: Fiatallis
Replaces: Marelli 72391701;
 Ref# 5002-3086
Unit Nos: Marelli 63216738, 63216763, MT67FA, MT67FB
Dim: 350mm OAL
 12-Splines
 12.42mm Shaft OD, Front Bushing
 13.97mm Shaft OD, Rear Bushing
Features:
 • 100% New, WAI Manufactured



61-9302
Armature
12 Volt

For: Marelli 3.5kW DD Starter
Used On: Fiatallis, Oliver
Replaces: Marelli 72386801;
 Ref# 5002-3087
Unit Nos: Marelli 63216826, 63216827, MT68AB, MT68AC
Dim: 321mm OAL
 12-Splines
 12.42mm Shaft OD, Front Bushing
 13.97mm Shaft OD, Rear Bushing
Features:
 • 100% New

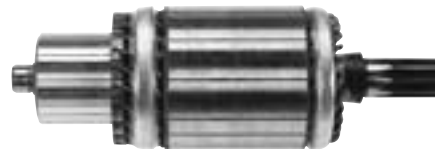


61-9303
Armature
24 Volt

For: Marelli 4.0kW DD Starters
Used On: Iveco
Replaces: Ref# 5002-3088
Unit Nos: Marelli 63216731, 63216741, MT67AD, MT67CB
Dim: 318mm OAL
 12-Splines
 12.42mm Shaft OD, Front Bushing
 13.97mm Shaft OD, Rear Bushing
Features:
 • 100% New, WAI Manufactured

MITSUBISHI

OSGR Starters (12V)



61-8302-1
Armature
12 Volt

For: Mitsubishi 2.2kW, 3.5kW OSGR Starters
Used On: (1994-82) Ford 6.9L, 7.3L (Diesel), Mazda; Mitsubishi-Fuso
Replaces: Ref# 5060-1801
Unit Nos: Mitsubishi M3T66071, M3T66072, M3T66073, M3T66074, M3T67171, M3T67172, M3T67281, M3T67283, M3T67671, M3T90071, M3T90072, M3T90271, M3T90273
Lester Nos: 16744, 16799, 17037
WAI Ref. Nos: 2-1138-MI, 2-1249-MI, 2-1254-MI, 2-1928-MI
Dim: 178mm OAL
 9-Splines
 17mm Shaft OD, Front Bearing
 12mm Shaft OD, Rear Bearing
Features:
 • 100% New, WAI Manufactured



61-8303
Armature
12 Volt

For: Mitsubishi 2.0kW, 2.2kW, 2.7kW OSGR Starters
Used On: (2002-95) Dodge, Mazda, Mitsubishi; Case, Gehl, Onan, Toro, Yale
Replaces: Ref# 5003-2890
Unit Nos: Mitsubishi M2T25981, M2T54172, M2T54271, M2T54371, M2T54372, M2T54572, M2T55971, M2T56071, M2T56171, M2T56181, M2T56182, M2T56271, M2T56272, M2T56471, M2T56472, M2T56971, M2T57271, M2T61071, M2T61171, M2T61371, M2T61471, M2T61771, M2T62271; Mitsubishi Heavy Industries 30666-60101, 32A66-00101, 34466-03200, 34466-20200, 34666-11200, 34766-41300
 Onan 191-1394, 191-1399, 191-1888, 191-1959
Lester Nos: 16744, 16853, 17596
WAI Ref. Nos: 2-1138-MI, 2-1169-MI, 2-1732-MI, 2-1781-MI, 2-1846-MI, 2-1963-MI, 2-2024-MI, 2-2093-MI, 2-2102-MI
Dim: 151mm OAL
 9-Splines
 15mm Shaft OD, Front Bearing
 9mm Shaft OD, Rear Bearing
Note: Used w/ 6-102-4, 6-629-4 Ball Bearings
Features:
 • 100% New, WAI Manufactured



61-8310
Armature
12 Volt

For: Mitsubishi 1.2kW OSGR Starters

Used On: (1989-81) Dodge, Mitsubishi, Plymouth; Clark, Nissan Lift Truck, Onan, Yale

Replaces: Ref# 5003-2341

Unit Nos: Mitsubishi M2T52671, M2T53081, M2T53082, M2T53083, M2T53085, M2T53086, M2T53481, M2T58581, M2T58681, M2T58881

Lester Nos: 16720, 16733, 16866, 17110

WAI Ref. Nos: 2-1167-MI, 2-1172-MI, 2-1453-MI, 2-1612-MI

Dim: 139mm OAL

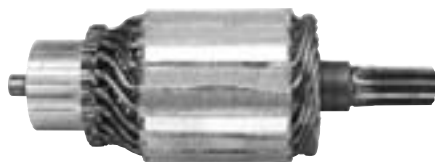
9-Splines

15mm Shaft OD, Front Bearing

8mm Shaft OD, Rear Bearing

Features:

- 100% New, WAI Manufactured



61-8312
Armature
12 Volt

For: Mitsubishi 1.6kW, 2.0kW OSGR Starters

Used On: (1985-81) Mazda; Ingersoll-Rand, Toro

Replaces: Ref# 5003-3315

Unit Nos: Mitsubishi M2T50281, M2T50285, M2T50371, M2T50381, M2T50581, M2T50585, M2T50881

Lester Nos: 16717, 16855

WAI Ref. Nos: 2-1137-MI, 2-1438-MI, 2-1550-MI

Dim: 147mm OAL

9-Splines

15mm Shaft OD, Front Bearing

8mm Shaft OD, Rear Bearing

Features:

- 100% New, WAI Manufactured



61-8324
Armature
12 Volt

For: Mitsubishi 1.2-1.6kW, 2.0kW OSGR Starters

Used On: Bobcat, Ford Tractor, Gehl, IHC, Perkins

Replaces: Ref# 5003-2751

Unit Nos: Ford SBA-18508-6410, SBA-18508-6500; Ishikawajima 185086410, 185086510, 185086560; Mitsubishi M2T54085, M2T54091, M2T54091

Lester Nos: 17244

(cont'd.)

(cont'd.)

WAI Ref. Nos: 2-1780-MI

Dim: 147mm OAL

9-Splines

15mm Shaft OD, Front Bearing

8mm Shaft OD, Rear Bearing

Features:

- 100% New, WAI Manufactured

OSGR Starters (24V)



61-8314
Armature
24 Volt

For: Mitsubishi 4.5kW, 5.0kW OSGR Starters

Used On: Case IH, Caterpillar, Nissan Lift Truck

Replaces: Ref# 5003-3310

Unit Nos: Mitsubishi M3T56071, M3T56072, M3T56074, M3T56076, M3T56082, M3T56084, M3T56181, M3T56182, M3T56183, M3T57371, M3T57575, M3T58071

WAI Ref. Nos: 2-1913-MI, 2-2087-MI, 2-2092-MI

Dim: 177mm OAL

9½ Splines

17mm Shaft OD Front Bearing

12mm Shaft OD Rear Bearing

Features:

- 100% New



61-8315
Armature
24 Volt

For: Mitsubishi 6.0kW OSGR Starters

Used On: Industrial Equipment, Kobelco

Replaces: Ref# 5003-2833

Unit Nos: Mitsubishi M5T50076, M5T50085, M5T50176, M5T50177, M5T50275, M5T50276

WAI Ref. Nos: 2-2091-MI

Dim: 202mm OAL

11-Splines

12mm Shaft OD, Front Bearing

Features:

- 100% New

STARTER - ARMATURES (61-)

MITSUBISHI

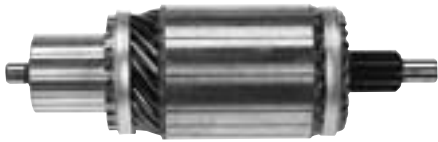
OSGR Starters (24V) (cont'd.)



61-8320
Armature
24 Volt

For: Mitsubishi 5.5, 6.0kW OSGR Starters
Used On: Kobelco America, Komatsu
Replaces: Ref# 5003-3310
Unit Nos: Mitsubishi M3T95071, M3T95082, M3T95171, M3T95172
Dim: 177mm OAL
 9-Splines
 17mm Shaft OD, Front Bearing
 12mm Shaft OD, Rear Bearing
Features:
 • 100% New, WAI Manufactured

PLGR Starters



61-8311
Armature
12 Volt

For: Mitsubishi PLGR Starters
Used On: (2000-94) Ford 7.3L (Diesel)
Replaces: Ref# 5003-3309
Unit Nos: Mitsubishi M8T50071, M8T50171
Lester Nos: 17577, 17578
WAI Ref. Nos: 2-1747-MI, 2-1748-MI
Dim: 170mm OAL
 13-Splines
 10mm Shaft OD Front Bearing
 9mm Shaft OD Rear Bearing
Features:
 • 100% New, WAI Manufactured

PMGR Starters



61-146
Armature
12 Volt

For: Delco PG260F2 Series, Mitsubishi PMGR Starters
Used On: (2002-92) Buick, Chevrolet, Ford, GMC, Infiniti, Isuzu, Jeep, Mazda, Mercury, Nissan, Oldsmobile, Pontiac
Replaces: Delco 10492437;
 Ref# 5003-3301
 (cont'd.)

(cont'd.)

Unit Nos: Delco 9000836, 9000841, 9000854, 9000857, 9000858, 24506694; Mitsubishi M1T64285, M1T74283, M1T74287, M1T74381A, M1T74781A, M1T75181A, M1T75581, M1T76081

Lester Nos: 17006, 17133, 17180, 17467, 17470, 17479, 17541, 6484, 6485, 6488

Dim: 143mm OAL
 11-Splines
 10.00mm Shaft OD, Front Bushing
 10.00mm Shaft OD, Rear Bushing

Features:
 • 100% New, WAI Manufactured



61-8313
Armature
12 Volt

For: Mando, Mitsubishi 1.2, 1.4kW PMGR Starters
Used On: (2005-89) Chrysler, Dodge, Eagle, Ford, Hyundai, Jeep, Mazda, Mitsubishi, Nissan, Plymouth, Subaru; Clark
Replaces: Ref# 5003-3312
Unit Nos: Mando M52100, M53436, M53486, MP112033, MP112040, MP112042; Mitsubishi M1T60081, M1T60281, M1T60285, M1T60381, M1T70483, M1T70881A, M1T71281A, M1T71681A, M1T71781A, M1T71881A, M1T72085, M1T72281, M1T72281A, M1T72583, M1T72583G, M1T72981A, M1T73581, M1T73881, M1T77181, M1T77381, M1T77581, M1T77781, M1T77881, M1T78181, M1T78381, M1T78481, M1T78581, M1T78981, M1T79081, M1T79481, M1T79482, M1T79681, M1T96081

Lester Nos: 16930, 939; 17046, 131, 132, 146, 151, 161, 167, 192, 217, 221, 425, 461, 469, 478, 480, 505, 514, 539, 557, 559, 564, 566, 686, 689, 708, 709

Dim: 121mm OAL
 11-Splines
 10mm Shaft OD Front Bearing
 10mm Shaft OD Rear Bearing

Features:
 • 100% New, WAI Manufactured



61-8316
Armature
12 Volt

For: Mitsubishi 1.0, 1.2, 1.4kW PMGR Starters
Used On: (2001-89) Chevrolet, Dodge, Eagle, Ford, Geo, Infiniti, Mazda, Mitsubishi, Nissan, Plymouth, Subaru, Suzuki
Replaces: Ref# 5003-3311
Unit Nos: Mitsubishi, M1Q71281, M1T70281, M1T70283, M1T70381, M1T70481, M1T70485, M1T70781, M1T70881, M1T70981, M1T70985, M1T71081; M1T71281, B; M1T71381, M1T71581, M1T71681, M1T71781, M1T71881, M1T72085, M1T72281, M1T72481, M1T72581, M1T72681, M1T72781, M1T72781A, M1T72985, M1T73281, M1T73381
 (cont'd.)

(cont'd.)

Lester Nos: 16874, 888, 900, 930, 931, 933, 939, 998;
17131, 132, 142, 146, 151, 161, 166, 167, 185, 192, 217, 221,
246

Dim: 121mm OAL

11-Splines

10mm Shaft OD Front Bearing

8mm Shaft OD Rear Bearing

Features:

- 100% New, WAI Manufactured



61-8317
Armature
12 Volt

For: Mitsubishi 1.0, 1.2kW PMGR Starters

Used On: (2005-95) Mazda, Mitsubishi, Nissan, Subaru

Replaces: Ref# 5003-3342

Unit Nos: Mitsubishi MOT80081, MOT80281, MOT80381,
MOT80581, MOT81081, MOT81381, MOT81681, MOT82281,
MOT83981

Lester Nos: 17592, 17688, 17691, 17717, 17718, 17734,
17765, 17766

WAI Ref. Nos: 2-1849-MI, 2-1850-MI, 2-1854-MI, 2-1862-MI,
2-1864-MI, 2-1866-MI, 2-1968-MI, 2-1992-MI

Dim: 107mm OAL

9-Splines

8mm Shaft OD, Front Bearing

10mm Shaft OD, Rear Bearing

Features:

- 100% New, WAI Manufactured



61-8318
Armature
12 Volt

For: Mitsubishi 1.2, 1.4kW PMGR Starters

Used On: (2005-96) Infiniti, Mitsubishi, Nissan, Suzuki

Replaces: Ref# 5003-3339

Unit Nos: Mitsubishi MOT60081, MOT60181, MOT85081,
MOT85981, MOT86481

Lester Nos: 17683, 17685, 17740, 17775

WAI Ref. Nos: 2-1847-MI, 2-1848-MI, 2-1936-MI, 2-2021-MI,
2-2120-MI

Dim: 113mm OAL

9-Splines

8mm Shaft OD, Front Bearing

10mm Shaft OD, Rear Bearing

Features:

- 100% New, WAI Manufactured



61-8322
Armature
12 Volt

For: Mitsubishi 1.4, 1.7, 2.0kW PMGR Starters

Used On: (1992-85) AMC, Dodge, Eagle, Geo, Infiniti, Jeep,
Mazda, Subaru, Suzuki

Replaces: Ref# 5003-3300

Unit Nos: Mitsubishi M1T74081, M1T74181, M1T74281,
M1T74381, M1T74481, M1T74482, M1T74581, M1T74781,
M1T75181, M1T75281, M1T75381

Lester Nos: 16889, 16932, 17006, 17046, 17133, 17142,
17175, 17180, 17194, 17206

WAI Ref. Nos: 2-1145-MI, 2-1150-MI, 2-1209-MI, 2-1223-MI,
2-1232-MI, 2-1234-MI

Dim: 144mm OAL

11-Splines

10mm Shaft OD, Front Bearing

8mm Shaft OD, Rear Bearing

Features:

- 100% New, WAI Manufactured



61-8323
Armature
12 Volt

For: Mitsubishi 1.4kW PMGR Starters

Used On: (2006-04) Nissan

Unit Nos: Mitsubishi M1T68781, ZC; Nissan, 23300-8J001

Lester Nos: 17835

WAI Ref. Nos: 2-2343-MI

Dim: 127mm OAL

11-Splines

10mm Shaft OD, Front Bearing

10mm Shaft OD, Rear Bearing

Features:

- 100% New, WAI Manufactured

STARTER - ARMATURES (61-)

NIKKO



61-8402
Armature
24 Volt

For: Nikko 3.7kW, 5.5kW DD Starters
Used On: Komatsu, Teledyne Continental
Replaces: Nikko 1-21100-1190,
 Ref# 5085-2822
Unit Nos: Isuzu 1-81100-043-1, -2; Komatsu 600-813-2242,
 -2243, -2342, -2393, -2394; Nikko 0-21000-3650, -3651,
 0-3783, -4132, -4192, -4850, -4870
Lester Nos: 18068
Dim: 355mm OAL
 15-Splines
 Threaded Shaft, Front
 18.9mm Shaft OD, Rear Bearing
Features:
 • 100% New



61-8403
Armature
24 Volt

For: Nikko 7.5kW DD Starters
Used On: Komatsu
Replaces: Nikko 1-21100-1210,
 Ref# 5085-2823
Unit Nos: Isuzu 1-81100-164-0; Komatsu 600-813-2412,
 -2413, -2590, -2650, -2681; Nikko 0-21000-3390, -3391, -3411,
 -4740, -4880, -5080
Lester Nos: 18069
Dim: 433mm OAL
 15-Splines
 18.9mm Shaft OD, Front Bearing
 18.9mm Shaft OD, Rear Bearing
Features:
 • 100% New



61-8404
Armature
24 Volt

For: Nikko 4.5kW OSGR Starters
Used On: Isuzu Lift Trucks, Trucks; Kobelco Equipment
Replaces: Nikko 7-23100-0070,
 Ref# 5085-2820
 (cont'd.)

(cont'd.)

Unit Nos: Isuzu 1-81100-189-0, -189-1, -190-0, -191-0,
 -197-0, -253-0; 8-94171-772-0, 8-94454-559-0; Nikko
 0-23000-1030, -1031, -1050, -1070, -1071, -1080, -1310, -1700
Dim: 180mm OAL
 8-Splines
 17mm Shaft OD, Front Bearing
 10mm Shaft OD, Rear Bearing
Features:
 • 100% New, WAI Manufactured



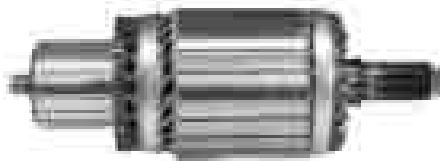
61-8405
Armature
24 Volt

For: Nikko 5.5kW, 7.5kW OSGR Starters
Used On: Kobelco America, Komatsu
Replaces: Nikko 1-23100-0120
Unit Nos: Komatsu 600-813-3510, -3530, -3550, -3560, -3610,
 -3630, -3710; Nikko 0-23000-6210, -6250, -6310, -6340, -6520,
 -6530, -6610, -6710
Lester Nos: 18085, 18087, 18107
Dim: 219mm OAL
 9-Splines
 24mm Shaft OD, Front Bearing
 14mm Shaft OD, Rear Bearing
Features:
 • 100% New, WAI Manufactured



61-8406
Armature
24 Volt

For: Nikko 7.5kW OSGR Starters
Used On: Komatsu
Replaces: Nikko 0-23100-0251,
 Ref# 5085-2826
Unit Nos: Komatsu 600-813-4530, -4560, -4650, -4680, -6610;
 Nikko 0-23000-3150, -3160, -3170, -3180, -3280
Lester Nos: 18083, 18084, 18128
Dim: 213mm OAL
 9-Splines
 24.5mm Shaft OD, Front Bearing
 10mm Shaft OD, Rear Bearing
Features:
 • 100% New, WAI Manufactured



61-8407
Armature
24 Volt

For: Nikko 7.5kW OSGR Starters
Used On: Komatsu
Replaces: Nikko 0-23100-0230;
 Ref# 5085-2825
Unit Nos: Komatsu 600-813-3521, -3560, -3630, -4930; Nikko
 0-23000-6232, -6341, -6531, -7000
Lester Nos: 18085, 18107
Dim: 210mm OAL
 9-Splines
 24mm Shaft OD, Front Bearing
 10mm Shaft OD, Rear Bearing
Features:
 • 100% New, WAI Manufactured



61-8408
Armature
24 Volt

For: Nikko 5.5kW OSGR Starters
Used On: Komatsu
Replaces: Nikko 1-23100-0160,
 Ref# 5085-2824
Unit Nos: Komatsu 600-813-3270, -3330, -4120, -4421;
 Nikko 0-23000-1190, -1231, -1330, -1750
Lester Nos: 18104, 18106
Dim: 191mm OAL
 11-Splines
 24.5mm Shaft OD, Front Bearing
 10mm Shaft OD, Rear Bearing
Features:
 • 100% New, WAI Manufactured

NIPPONDENSO

DD Starters



61-8200
Armature
12 Volt

For: Nippondenso 4.0kW DD Starters
Used On: Caterpillar, Hino, John Deere
Unit Nos: Nippondenso 028000-329, 028000-365,
 028000-397, 028000-493, 028000-504, 028000-596,
 028000-692, 128000-026, 128000-077, 128000-200,
 128000-369
 (cont'd.)

(cont'd.)
Lester Nos: 16641
WAI Ref. Nos: 2-2044-ND
Dim: 396mm OAL
 4-Splines
 16.94mm Shaft OD, Front Bushing
 16.94mm Shaft OD, Rear Bushing
Features:
 • 100% New, WAI Manufactured

OSGR Starter (12V)



61-8202
Armature
12 Volt

For: Nippondenso 0.9-1.4kW OSGR Starters
Used On: (1998-72) Chevrolet, Chrysler, Daihatsu, Dodge, Geo,
 Honda, Isuzu, Kubota, Lexus, Plymouth, Subaru, Toyota
Replaces: Ref# 5090-2748
Unit Nos: Nippondenso 028000-454, -455, -510, -590, -591,
 -600, -636, -662, -719, -730, -732, -739, -756, -760, -762, -764,
 -800, -805, -806, -822, -832, -843, -858, -867, -907, -912, -926,
 -958, -971, -972; 128000-010, -012, -028, -074, -115, -122,
 -135, -137, -144, -190, -204, -206, -218, -257, -347, -359, -367,
 -442, -457, -558, -570, -578, -584, -594, -662, -699, -721, -784,
 -827, -995; 228000-014, -021, -079, -110, -112, -115, -171,
 -231, -261, -273, -432, -433
Lester Nos: 16248, 251, 585, 586, 612, 730, 736, 737, 746,
 761, 763, 786, 821, 825, 826, 827, 828, 829, 833, 849, 878,
 891, 892, 893, 895, 913; 17007, 028, 050, 099, 143, 155, 171,
 251, 254, 264, 265, 298, 352, 363, 366, 375, 382, 420, 421,
 483, 487, 495, 520, 521, 666, 681, 682
WAI Ref. Nos: 2-1008-ND, 2-1012-ND, 2-1025-ND,
 2-1030-ND, 2-1032-ND, 2-1034-ND, 2-1035-ND, 2-1038-ND,
 2-1040-ND, 2-1042-ND, 2-1043-ND, 2-1044-ND, 2-1050-ND,
 2-1051-ND, 2-1052-ND, 2-1053-ND, 2-1055-ND, 2-1057-ND,
 2-1059-ND, 2-1065-ND, 2-1067-ND, 2-1195-ND, 2-1197-ND,
 2-1198-ND, 2-1207-ND, 2-1220-ND, 2-1221-ND, 2-1243-ND,
 2-1385-ND, 2-1416-ND, 2-1525-ND, 2-1529-ND, 2-1587-ND,
 2-1703-ND, 2-1705-ND, 2-1784-ND, 2-1829-ND, 2-1830-ND,
 2-1831-ND, 2-2036-ND
Dim: 135mm OAL
 9-Splines
 15mm Shaft OD, Front Bushing
 8mm Shaft OD, Rear Bushing
Features:
 • 100% New, WAI Manufactured

STARTER - ARMATURES (61-)

NIPPONDENSO

OSGR Starter (12V) (cont'd.)



61-8203-2
Armature
12 Volt

For: Nippondenso 2.5kW OSGR Starters

Used On: (2000-81) Dodge, Toyota; Case, Caterpillar, Cummins, Isuzu Truck, John Deere, Teledyne Continental, Toyota Lift Truck, White, Yanmar

Replaces: Ref# 5090-2594

Unit Nos: Nippondenso 028000-500, -549, -556, -566, -588, -606, -641, -656, -678, -687, -688, -754, -773, -780, -807, -840, -849, -863, -884, -977; 128000-021, -054, -055, -056, -079, -097, -106, -178, -225, -227, -248, -303, -312, -408, -409, -410, -411, -509, -530, -560, -704, -775, -829, -950, -997; 228000-062, -161, -195, -229, -494, -581, -647

Lester Nos: 16656, 16658, 16824, 16830, 16981, 16990, 17302, 17362, 17548

WAI Ref. Nos: 2-1037-ND, 2-1047-ND, 2-1526-ND, 2-1726-ND, 2-1731-ND, 2-1739-ND, 2-1750-ND, 2-1752-ND, 2-1753-ND

Dim: 187mm OAL

9-Splines

17mm Shaft OD, Front Bearing

10mm Shaft OD, Rear Bearing

Note: Without bearings

Features:

- 100% New, WAI Manufactured



61-8204
Armature
12 Volt

For: Nippondenso 3.0kW OSGR Starters

Used On: (1993-89) Chevrolet, Dodge; Case, Caterpillar, Cummins, GMC Truck, Isuzu Truck

Replaces: Ref# 5090-2763

Unit Nos: Nippondenso 128000-049, 128000-247, 128000-422, 128000-491, 128000-537, 128000-551, 128000-562, 128000-572, 228000-331, 228000-332, 228000-573, 228000-585, 228000-7001

Lester Nos: 16881, 17215

WAI Ref. Nos: 2-1397-ND, 2-1745-ND, 2-2122-ND

Dim: 211mm OAL

18-Splines

15mm Shaft OD, Front Bearing

10mm Shaft OD, Rear Bearing

Features:

- 100% New, WAI Manufactured



61-8207
Armature
12 Volt

For: Nippondenso 2.0kW OSGR Starters

Used On: (1996-81) Chevrolet, Dodge, GMC, Isuzu, Lexus, Toyota (Diesel); Kubota, Thermo King

Replaces: Ref# 5090-2417

Unit Nos: Nippondenso 028000-700, 028000-737, 028000-766, 028000-774, 028000-779, 028000-813, 028000-837, 028000-876, 028000-903, 028000-983, 128000-002, 128000-004, 128000-057, 128000-096, 128000-104, 128000-207, 128000-216, 128000-228, 128000-288, 128000-310, 128000-640, 128000-650, 128000-730, 128000-738, 228000-024, 228000-040, 228000-069, 228000-219, 228000-297

Lester Nos: 16739, 16822, 17189, 17547

WAI Ref. Nos: 2-1046-ND, 2-1075-ND, 2-1193-ND, 2-1716-ND, 2-1744-ND

Dim: 167mm OAL

19-Splines

10mm Shaft OD, Front Bearing

8mm Shaft OD, Rear Bearing

Features:

- 100% New, WAI Manufactured



61-8211
Armature
12 Volt

For: Nippondenso 1.4kW OSGR Starters

Used On: (2005-90) Acura, Chevrolet, Chrysler, Dodge, Geo, Honda, Isuzu, Lexus, Plymouth, Subaru, Toyota; Bobcat, Kubota, Toyota Lift Truck

Replaces: Ref# 5090-3200

Unit Nos: Delco 10455703, 10455709;

Nippondenso 128000-700, -714, -739, -750, -781, -803, -811, -821, -832, -835, -836, -840, -930, -952, -970, -971, -972, -973, -974; 228000-022, -041, -066, -081, -083, -089, -099, -100, -102, -104, -107, -108, -156, -170, -180, -196, -205, -206, -226, -250, -252, -257, -284, -289, -294, -296, -302, -321, -339, -340, -373, -374, -375, -437, -439, -465, -492, -530, -568, -611, -617, -628, -666, -703, -714, -740

Lester Nos: 16831, 17020, 17197, 17202, 17216, 17242, 17256, 17259, 17263, 17273, 17400, 17423, 17424, 17466, 17481, 17485, 17493, 17516, 17517, 17519, 17524, 17526, 17529, 17530, 17532, 17534, 17546, 17549, 17562, 17573, 17574, 17579, 17668, 17700, 17707, 17715, 17727, 17735, 17747, 17774, 17791

Dim: 129mm OAL

9-Splines

15.00 Shaft OD, Front Bearing

8mm Shaft OD, Rear Bearing

Features:

- 100% New, WAI Manufactured



61-8214
Armature
12 Volt

For: Nippondenso 1.2kW OSGR Starters
Used On: (2005-90) Acura, Chrysler, Dodge, Eagle, Geo, Harley-Davidson, Honda, Isuzu, Lexus, Plymouth, Subaru, Toyota
Replaces: Ref# 5090-3203
Unit Nos: Nippondenso 128000-701, -712, -756, -771, -822, -831, -845, -878, -938, -975; 228000-036, -047, -071, -082, -090, -162, -301, -303, -328, -399, -567, -627, -631, -642, -713, -720
Lester Nos: 16878; 17170, 197, 202, 204, 240, 285, 460, 464, 465, 526, 531, 536, 537, 570, 571, 584, 629, 632, 671, 687, 707, 777, 737, 777
WAI Ref. Nos: 2-1197-ND, 2-1202-ND, 2-1203-ND, 2-1216-ND, 2-1399-ND, 2-1401-ND, 2-1527-ND, 2-1528-ND, 2-1585-ND, 2-1695-ND, 2-1697-ND, 2-1698-ND, 2-1706-ND, 2-1821-ND, 2-1823-ND, 2-1827-ND, 2-1834-ND, 2-1836-ND, 2-1837-ND, 2-1944-ND, 2-1972-ND
Dim: 118mm OAL
 9-Splines
 15mm Shaft OD, Front Bushing
 8mm Shaft OD, Rear Bushing
Features:
 • 100% New, WAI Manufactured

OSGR Starter (24V)



61-8208
Armature
24 Volt

For: Nippondenso 5.5kW OSGR Starters
Used On: Case, Caterpillar, Isuzu Truck
Replaces: Ref# 5090-2918
Unit Nos: Nippondenso 128000-245, 128000-256, 128000-274, 128000-468, 128000-573
Lester Nos: 17391
WAI Ref. Nos: 2-1751-ND
Dim: 211mm OAL
 18-Splines
Features:
 • 100% New, WAI Manufactured



61-8209
Armature
24 Volt

For: Nippondenso 4.5kW OSGR Starters
Used On: Toyota Lift Truck
Replaces: Ref# 5090-2962
Unit Nos: Nippondenso 028000-530, 028000-553, 028000-555, 028000-557, 028000-586, 028000-601, 028000-620, 028000-724, 028000-745, 028000-781, 028000-856, 128000-100, 128000-101, 128000-157, 128000-862
Lester Nos: 16614, 16967
WAI Ref. Nos: 2-1730-ND, 2-1754-ND, 2-2104-ND, 2-2105-ND, 2-2106-ND
Dim: 187mm OAL
 9-Splines
 17mm Shaft OD, Front Bearing
 10mm Shaft OD, Rear Bearing
Features:
 • 100% New, WAI Manufactured

PLGR Starters



61-8217
Armature
12 Volt

For: Nippondenso PLGR Starters
Used On: (2005-92) Acura, Honda, Toyota
Replaces: Kubota 6A100-31171, Toyota 28160-70021
Unit Nos: Nippondenso 128000-568, -642, -853, -889; 228000-402, -403, -591, -673, -854; 428000-032
Lester Nos: 17252, 17253, 17679, 17680, 17805, 17845
WAI Ref. Nos: 2-1543-ND, 2-1544-ND, 2-1693-ND, 2-1839-ND, 2-1840-ND, 2-2057-ND, 2-2331-ND
Dim: 101mm OAL
 11-Splines
 7mm Shaft OD, Front Bushing
 7mm Shaft OD, Rear Bushing
Features:
 • 100% New, WAI Manufactured

STARTER - ARMATURES (61-)

NIPPONDENSO

PLGR Starters (cont'd.)



61-8218
Armature
12 Volt

For: Nippondenso PLGR Starters

Used On: (2005-89) Chevrolet, Geo, Honda, Isuzu, Suzuki, Toyota

Replaces: Daihatsu 28160-87208-000, Isuzu 8-94367-771-0, Kubota 14958-63071, Mitsubishi Motors MD604800, Suzuki 31311-60B51, Toyota 28160-70050

Unit Nos: Nippondenso 128000-621, -740, -920; 228000-347, -540, -646, -675, -676, -833, -855

Lester Nos: 17142, 17203, 17679, 17680, 17703, 17803, 17806

WAI Ref. Nos: 2-1189-ND, 2-1201-ND, 2-1841-ND, 2-1958-ND, 2-1959-ND, 2-2050-ND, 2-2058-ND

Dim: 111mm OAL

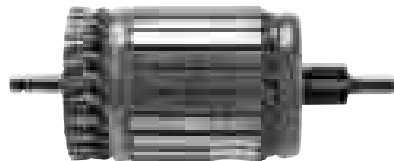
11-Splines

7mm Shaft OD, Front Bushing

7mm Shaft OD, Rear Bushing

Features:

- 100% New, WAI Manufactured



61-9417
Armature
12 Volt

For: Valeo PMGR Starters

Used On: (1999-97) Saturn

Replaces: Ref# 5001-3009

Unit Nos: Delco 21023994, 21024210;

Valeo D6RA85, D6RA185

Lester Nos: 17667

WAI Ref. Nos: 2-1713-VA

Dim: 112mm OAL

8-Splines

5.94mm Shaft OD, Front Bushing

5.94mm Shaft OD, Rear Bushing

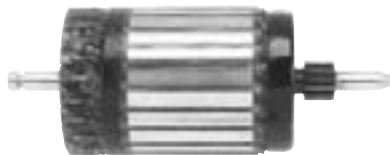
Note: Similar to 61-9416 except 61-9416 has 13-splines.

Used w/ 76-94810 stationary gear.

Features:

- 100% New, WAI Manufactured

VALEO



61-9416
Armature
12 Volt

For: Valeo PMGR Starters

Used On: (1997-95) Saturn

Replaces: Ref# 5001-3019

Unit Nos: Delco 21023232, 21023719;

Valeo D6RA65, D6RA165

Lester Nos: 17667

WAI Ref. Nos: 2-1713-VA

Dim: 112mm OAL

13-Splines

5.94mm Shaft OD, Front Bushing

5.94mm Shaft OD, Rear Bushing

Note: Similar to 61-9417 except 61-9417 has 8-splines.

Features:

- 100% New, WAI Manufactured

ARMATURE PARTS - COMMUTATORS

Chrysler



**61-3201
Commutator**

For: Chrysler Early, 1.5 HP OSGR Starters

Dim: 27 Bars

18.80mm ID x 40.59mm Brush Dia. x 55.58mm OD x 2.67mm Slot Width
.740" ID x 1.598" Brush Dia. x 2.188" OD x .105" Slot Width



**61-1201
Commutator**

For: Delco 10MT, 20MT, 22MT, 25MT, 27MT, SD300 Series DD Starters

Dim: 23 Bars

15.75mm ID x 43.41mm Brush Dia. x 60.33mm OD x 2.67mm Slot Width
.620" ID x 1.709" Brush Dia. x 2.375" OD x .105" Slot Width

Note: Used in 61-107, 61-133 armatures



**61-1204-1
Commutator**

For: Delco 10MT, 20MT, 22MT, 25MT, 27MT, SD300 Series DD High Torque Starters

Dim: 23 Bars

15.75mm ID x 43.41mm Brush Dia. x 60.33mm OD x 2.92mm Slot Width
.620" ID x 1.709" Brush Dia. x 2.375" OD x .115" Slot Width

Delco



**61-1200-1
Commutator**

For: Delco 5MT, SD200, SD205, SD210, SD250, SD255, SD260 Series DD Starters

Dim: 27 Bars

18.85mm ID x 43.41mm Brush Dia. x 56.39mm OD x 2.67mm Slot Width
.742" ID x 1.709" Brush Dia. x 2.220" OD x .105" Slot Width

Note: Used in 61-132, 61-139 armatures.



**61-1203
Commutator**

For: Delco 5MT, 10MT, SD200, SD300 Series DD Starters

Dim: 27 Bars

15.67mm ID x 43.18mm Brush Dia. x 56.52mm OD x 2.90mm Slot Width
.617" ID x 1.700" Brush Dia. x 2.225" OD x .114" Slot Width

Ford



**61-2201
Commutator**

For: Ford PMGR, PMGR Noseless Starters

Dim: 28 Bars

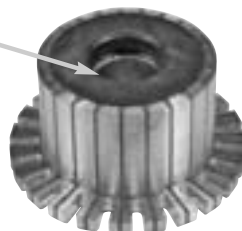
12.34mm ID x 30.00mm Brush Dia. x 49.99mm OD x 2.90mm Slot Width
.486" ID x 1.181" Brush Dia. x 1.968" OD x .114" Slot Width

MOLDED COMMUTATORS

Special steel inserts for improved strength and shaft to bore fit

Copper bars are extruded into a dovetail structure and together with the glass-filled phenolic compound provide excellent insulation, strength and high-speed capability

Commutators can be welded or dip soldered without risk of damage



Molded insulator wraps around backside of riser to prevent shorts caused by solder flashing at pin connection

Molded with thick copper segments, pre-machined for easy clean up

STARTER - ARMATURES (61-)

ARMATURE PARTS - COMMUTATORS

Ford (cont'd.)



**61-2202-1
Commutator**

For: Ford 4" Mod I, 4" Mod II DD Starters

Dim: 25 Bars

15.95mm ID x 39.62mm Brush Dia. x 57.15mm OD x 2.67mm Slot Width
.628" ID x 1.560" Brush Dia. x 2.250" OD x .105" Slot Width

Note: Used in 61-200, 61-203 armatures



**61-2203-1
Commutator**

For: Ford 4-1/2", 4-1/2" Mod I DD Starters

Dim: 25 Bars

15.95mm ID x 42mm Brush Dia. x 60mm OD x 3.3mm Slot Width
.628" ID x 1.66" Brush Dia. x 2.36" OD x .13" Slot Width

Note: Used in 61-207 armature.

Similar to 61-2205-1 except 61-2205-1 has longer bar length.



**61-2204
Commutator**

For: Ford 4" Mod DD Starters

Dim: 25 Bars

15.88mm ID x 39.62mm Brush Dia. x 55.19mm OD x 2.67mm Slot Width
.625" ID x 1.560" Brush Dia. x 2.173" OD x .105" Slot Width



**61-2205-1
Commutator**

For: Ford 4-1/2" Mod II DD Starters

Lester Nos: 3133, 80, 81, 85, 87, 88, 89, 91, 96, 98

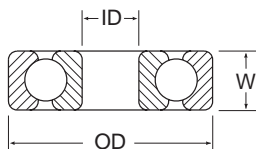
Dim: 25 Bars

15.95mm ID x 41.5mm Brush Dia. x 60mm OD x 3.3mm Slot Width
.628" ID x 1.63" Brush Dia. x 2.36" OD x .13" Slot Width

Note: Similar to 61-2203-1 except 61-2203-1 has shorter bar length.

STARTER - BEARINGS (6-, 8-, 10-)

BALL BEARING DIMENSION CHART



ID (mm)	OD (mm)	W (mm)	WAI No.	Closure	Brand	Note
8	22	7	6-608-2	Dbl. Shielded	Premium	
			6-608-4	Dbl. Sealed	Premium	
			6-608-4W	Dbl. Sealed	WBD	
		11	10-874-4	Dbl. Sealed	Premium	Retaining Ring in Outer Race
	10-874-4W		Dbl. Sealed	WBD		
	23	11	10-879-4	Dbl. Sealed	Premium	Retaining Ring in Outer Race
			10-879-4W	Dbl. Sealed	WBD	
		14	10-800-4	Dbl. Sealed	Premium	2-Plastic Tolerance Rings
			10-800-4W	Dbl. Sealed	WBD	
			10-885-4	Dbl. Sealed	Premium	
			10-885-4W	Dbl. Sealed	WBD	
	24	8	6-628-2	Dbl. Shielded	Premium	
			6-628-2W	Dbl. Shielded	WBD	
	28	9	6-638-4	Dbl. Sealed	Premium	
			6-638-4W	Dbl. Sealed	WBD	
	9	26	8	6-629-4	Dbl. Sealed	Premium
6-629-4W				Dbl. Sealed	WBD	
10	23	11	10-1046-4	Dbl. Sealed	Premium	Retaining Ring in Outer Race
			10-1046-4W	Dbl. Sealed	WBD	
	26	8	6-100-2	Dbl. Shielded	Premium	
			6-100-4	Dbl. Sealed	Premium	
			6-100-4N	Dbl. Sealed	Premium, NTN	
			6-100-4W	Dbl. Sealed	WBD	
			6-100-84	Dbl. Sealed	Premium	2-Plastic Tolerance Rings
			6-100-84W	Dbl. Sealed	WBD	
	10	6-2000-4N	Dbl. Sealed	Premium, NTN		
			6-2000-4W	Dbl. Sealed	WBD	
	27	11	10-1050-4	Dbl. Sealed	Premium	Retaining Ring in Outer Race
			10-1050-4W	Dbl. Sealed	WBD	
			10-1050-84	Dbl. Sealed	Premium	2-Plastic Tolerance Rings
			10-1051-4	Dbl. Sealed	Premium	
		10-1051-4W	Dbl. Sealed	WBD		
	14	10-900-4W	Dbl. Sealed	WBD	2-Plastic Tolerance Rings	
30	9	6-200-2	Dbl. Shielded	Premium		
		6-200-4	Dbl. Sealed	Premium		
		6-200-4N	Dbl. Sealed	Premium, NTN		
		6-200-4W	Dbl. Sealed	WBD		
12 (cont'd.)	28	8	6-101-2	Dbl. Shielded	Premium	
			6-101-4	Dbl. Sealed	Premium	
			6-101-4W	Dbl. Sealed	WBD	
	12	6-3101-2W	Dbl. Shielded	WBD		
			6-3101-4	Dbl. Sealed	Premium	
			6-3101-4W	Dbl. Sealed	WBD	
	32 (cont'd.)	10	6-201-2	Dbl. Shielded	Premium	
			6-201-4	Dbl. Sealed	Premium	
6-201-4N			Dbl. Sealed	Premium, NTN		
6-201-4W			Dbl. Sealed	WBD		
10-2012-4			Dbl. Sealed	Premium	Retaining Ring in Outer Race	
10-2012-4W	Dbl. Sealed	WBD				

STARTER - BEARINGS (6-, 8-, 10-)

ID (mm)	OD (mm)	W (mm)	WAI No.	Closure	Brand	Note	
12 (cont'd.)	32	13	10-2013-4	Dbl. Sealed	Premium	Retaining Ring in Outer Race	
		14	6-2201-4	Dbl. Sealed	Premium		
	6-2201-4W		Dbl. Sealed	WBD			
	35	18	10-2011-3	Sgl. Sealed			
			10-2011-3W	Sgl. Sealed	WBD		
37	12	6-301-4	Dbl. Sealed	Premium			
12.7	28.6	7.9	6-708-4W	Dbl. Sealed	WBD		
15	28	7	6-902-2	Dbl. Shielded	Premium		
			6-902-2W	Dbl. Shielded	WBD		
	32	9	6-102-2	Dbl. Shielded	Premium		
			6-102-4	Dbl. Sealed	Premium		
		11	6-3102-4	Dbl. Sealed	Premium		
			6-3102-4W	Dbl. Sealed	WBD		
	35	11	9	10-7109-1	Sgl. Shielded*		*Sgl. Shielded, One Side Open
			6-202-2	Dbl. Shielded	Premium		
			6-202-4	Dbl. Sealed	Premium		
			6-202-4N	Dbl. Sealed	Premium, NTN		
			6-202-4W	Dbl. Sealed	WBD		
			6-202-84	Dbl. Sealed	Premium	2-Plastic Tolerance Rings	
		13	10-1569-4	Dbl. Sealed	Premium	Retaining Ring in Outer Race	
			10-2021-4	Dbl. Sealed	Premium		
			10-2021-4W	Dbl. Sealed	WBD		
			10-2022-4	Dbl. Sealed	Premium		
	38	19	10-2022-4W	Dbl. Sealed	WBD		
			6-302-2	Dbl. Shielded	Premium		
	42	13	6-302-4	Dbl. Sealed	Premium		
			6-302-4W	Dbl. Sealed	WBD		
			10-3021-4	Dbl. Sealed	Premium		
	43	13	10-3021-4W	Dbl. Sealed	WBD		
			10-3022-4	Dbl. Sealed	Premium		
	46	14	10-3022-4W	Dbl. Sealed	WBD		
			10-3031-4	Dbl. Sealed	Premium		
	47	14	10-3031-4W	Dbl. Sealed	WBD		
			10-1583-4	Dbl. Sealed	Premium		
18		10-1583-4W	Dbl. Sealed	WBD			
		10-3041-4	Dbl. Sealed	Premium			
52	16	10-3041-4W	Dbl. Sealed	WBD			
		6-903-2	Dbl. Shielded	Premium			
17 (cont'd.)	30	7	6-903-4	Dbl. Sealed	Premium		
			6-903-4W	Dbl. Sealed	WBD		
			6-103-2	Dbl. Shielded	Premium		
	35	10	6-103-4	Dbl. Sealed	Premium		
			6-103-4W	Dbl. Sealed	WBD		
			6-203-4	Dbl. Sealed	Premium		
	40	12	6-203-4N	Dbl. Sealed	Premium, NTN		
			6-203-4W	Dbl. Sealed	WBD		
			6-203-84	Dbl. Sealed	Premium	2-Plastic Tolerance Rings	
			6-203-84W	Dbl. Sealed	WBD		
		17.5	6-3203-4	Dbl. Sealed	Premium		
			6-3203-4W	Dbl. Sealed	WBD		
	47 (cont'd.)	14	6-303-2	Dbl. Shielded	Premium		
			6-303-4	Dbl. Sealed	Premium		
			6-303-4N	Dbl. Sealed	Premium, NTN		
			6-303-4W	Dbl. Sealed	WBD		
		18	10-1594-4	Dbl. Sealed	Premium		
			10-1594-4W	Dbl. Sealed	WBD		

STARTER - BEARINGS

STARTER - BEARINGS (6-, 8-, 10-)

ID (mm)	OD (mm)	W (mm)	WAI No.	Closure	Brand	Note	
17 (cont'd.)	47 (cont'd.)	19	6-2303-4	Db. Sealed	Premium		
		24	10-3032-4	Db. Sealed	Premium		
			10-3032-4W	Db. Sealed	WBD		
	52	16	10-3042-4	Db. Sealed	Premium		
			10-3042-4W	Db. Sealed	WBD		
		17	10-3043-4	Db. Sealed	Premium		
			10-3043-4W	Db. Sealed	WBD		
		18	10-3044-4	Db. Sealed	Premium		
			10-3044-4W	Db. Sealed	WBD		
	21	10-62304-4	Db. Sealed	Premium			
62	17.5	6-403-4	Db. Sealed	Premium			
18.7	47.1	14	10-2041-4	Db. Sealed	Premium		
18.8	37	9	10-9041-4	Db. Sealed	Premium	Bushing in Bore	
19.1	41.3	11.1	6-712-4	Db. Sealed	Premium		
			6-712-4W	Db. Sealed	WBD		
20	37	9	6-904-2	Db. Shielded	Premium		
			6-904-4	Db. Sealed	Premium		
			6-904-4W	Db. Sealed	WBD		
	42	12	6-104-2	Db. Shielded	Premium		
			6-104-4	Db. Sealed	Premium		
			6-104-4W	Db. Sealed	WBD		
			10-1041-4	Db. Sealed	Premium	2-Grooves in Bore	
	10-1041-4W	Db. Sealed	WBD				
	47	14	6-204-4	Db. Sealed	Premium		
			6-204-4W	Db. Sealed	WBD		
52	15	6-304-4	Db. Sealed	Premium			
		6-304-4W	Db. Sealed	WBD			
22.2	56	21	10-62322-4	Db. Sealed	Premium		
25	42	9	6-905-4	Db. Sealed	Premium		
	47	12	6-105-2	Db. Shielded	Premium		
			6-105-4	Db. Sealed	Premium		
	52	15	6-205-4	Db. Sealed	Premium		
			6-205-4W	Db. Sealed	WBD		
	62	20.6	6-3205-4	Db. Sealed	Premium		
			17	6-305-2	Db. Shielded	Premium	
				6-305-4	Db. Sealed	Premium	
		6-305-4W		Db. Sealed	WBD		
		19	10-3051-4	Db. Sealed	Premium		
		24	10-3052-4	Db. Sealed	Premium		
		25.4	6-3305-4	Db. Sealed	Premium	Extra Wide Bearing	
6-3305-4W	Db. Sealed		WBD				
30	47	9	6-906-4	Db. Sealed	Premium		
			10-9061-4	Db. Sealed	Premium	2-Grooves in Bore	
	55	13	6-106-4	Db. Sealed	Premium		
			6-206-4	Db. Sealed	Premium		
	62	16	6-206-4W	Db. Sealed	WBD		
			6-306-4	Db. Sealed	Premium		
72	30.2	6-3306-4	Db. Sealed	Premium			
		7-3306	Open		Double Row Angular Contact Bearing		
35	72	17	6-207-4	Db. Sealed	Premium		
	80	21	6-307-4	Db. Sealed	Premium		
45	85	19	6-209-2	Db. Shielded	Premium		
			6-209-4	Db. Sealed	Premium		

WBD BEARINGS - BEST IN CLASS FOR CONSISTENCY, QUALITY, PERFORMANCE



There are three keys to long bearing life: Seals, Grease and Mechanical Components. Failure in any one of these areas will cause failure of the bearing, and failure of the part in which it's installed, resulting in an unhappy customer, and an expensive return.

By specifying only the highest quality in these key areas, and testing to the highest international automotive standards, the WBD bearing, available only from WAI, performs as well as premium bearings that cost 2 or 3 times more.

Seals:

WBD bearings are manufactured with the highest quality 3-point triple-lip full contact hybrid polyacrylic seals.

- Ensure extreme temperature protection, up to 392° F (200° C)
- Eliminates grease contamination and leakage.

Grease:

WBD bearings use Kyodo Yushi ET-K high performance grease.

- Extreme temperature protection in any automotive environment, from -40° F up to 392° F (-40° C to 200° C).
- Load-dissipating viscosity ensures extended service life and protects against thermal and mechanical shock.

Mechanical Components:

Precision CNC-machined races and balls.

- Matched balls, inner and outer races ensure low noise and minimum friction and heat build-up.
- Tight tolerances for bore-taper, out-of-round and bearing OD for precise fit and compatibility.
- Finely honed surface finish for long life and low noise.
- Balls equal to or better than Grade 16 for roundness.
- Automatically riveted cage precisely and reliably locates and secures balls within the races to prevent premature failure.

Testing:

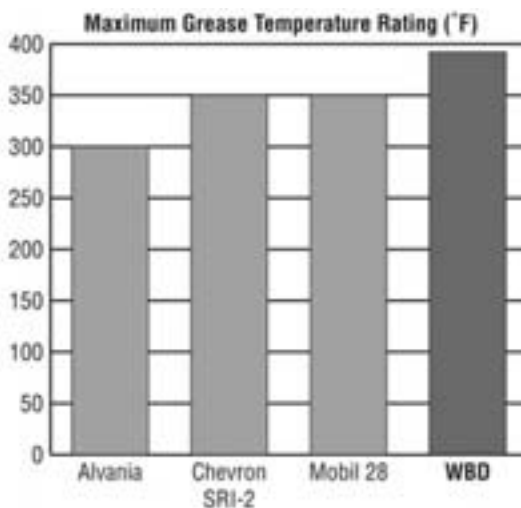
WBD bearing are endurance-tested to outperform low-cost bearings, and meet or exceed the performance of bearings costing much, much more.

- 1,000 hour full-load endurance test demonstrates consistent performance under the most arduous conditions.
- Proven 3 year endurance testing shows that WBD bearings last for the long-haul, in the most challenging environments.
- Noise-tested before and after greasing to ensure grease is free of contaminants that cause premature wear.

Industry Standards: ABEC and EMQ:

Radial ball bearings must meet specified ABEC (Annular Bearing Engineers Committee) ratings for consistency, quality and service life. Radial bearings are also said to be Electric Motor Quality (EMQ) when they meet the low noise requirements specified by automotive engineers worldwide.

- WBD bearings are high-precision, engineered to meet or exceed ABEC 3 standards, used for automotive bearings worldwide.
- WBD bearings are low-noise, meeting all standards for EMQ.



BALL BEARINGS



6-100-4
Ball Bearing
Dbl. Sealed

For: Delco CS121, CS130 Series Alternators (S.R.E.); Delco 28MT Series; Mitsubishi OSGR; Nippondenso 1.0kW, 1.4kW, 2.0kW, 2.5kW, 3.0kW OSGR Starters (Armature)

Replaces: Delco 1989646, 10472207; Nippondenso 949100-2760; Ref# 6000

Dim: 10mm ID x 26mm OD x 8mm W

Features:

- Premium Quality

6-100-2
Ball Bearing
Dbl. Shielded

Same as 6-100-4 except...

Features:

- Premium Quality, Dbl. Shielded

6-100-4N
Ball Bearing
Dbl. Sealed

Same as 6-100-4 except...

Features:

- Mfd. by NTN, OE Supplier

6-100-4W
Ball Bearing
Dbl. Sealed

Same as 6-100-4 except...

Features:

- WBD



6-100-84
Ball Bearing
Dbl. Sealed

For: Delco CS144 Series IR/EF; Ford 3G Series IR/IF Alternators (S.R.E.)

Replaces: Delco 1989711, 10474532

Dim: 10mm ID x 26mm OD x 8mm W

Note: With 2-plastic tolerance rings

Features:

- Premium Quality

6-100-84W
Ball Bearing
Dbl. Sealed

Same as 6-100-84 except...

Features:

- WBD



6-101-4
Ball Bearing
Dbl. Sealed

For: Bosch ER/EF, IR/EF Alternators (S.R.E.); Hitachi OSGR Starters (Armature)

Replaces: Bosch 1-900-905-103, -164, -167; Nissan 23338-J5500, -Z9002; Ref# 6001

Dim: 12mm ID x 28mm OD x 8mm W

Features:

- Premium Quality

6-101-2
Ball Bearing
Dbl. Shielded

Same as 6-101-4 except...

Features:

- Premium Quality, Dbl. Shielded

6-101-4W
Ball Bearing
Dbl. Sealed

Same as 6-101-4 except...

Features:

- WBD



6-102-4
Ball Bearing
Dbl. Sealed

For: Nippondenso IR/IF Alternators (S.R.E.); Hitachi OSGR; Mitsuba SM402 Series; Mitsubishi OSGR; Nippondenso 1.0kW, 1.2kW, 1.4kW OSGR Starters (Armature)

Replaces: Delco 10498717; Ref# 6002

Dim: 15mm ID x 32mm OD x 9mm W

Features:

- Premium Quality

6-102-2
Ball Bearing
Dbl. Shielded

Same as 6-102-4 except...

Features:

- Premium Quality, Dbl. Shielded



6-103-4
Ball Bearing
Dbl. Sealed

For: Nippondenso 24V IR/EF Alternators (S.R.E.); Delco 28MT Series; Mitsubishi OSGR; Nippondenso 2.5kW, 4.5kW OSGR Starters (Armature)

Replaces: Delco 10456461; Ref# 6003

Dim: 17mm ID x 35mm OD x 10mm W

Features:

- Premium Quality

6-103-2
Ball Bearing
Dbl. Shielded

Same as 6-103-4 except...

Features:

- Premium Quality, Dbl. Shielded

6-103-4W
Ball Bearing
Dbl. Sealed

Same as 6-103-4 except...

Features:

- WBD



6-104-4
Ball Bearing
Dbl. Sealed

For: Hitachi OSGR; Mitsuba SM302, SM402 Series; Nippondenso 1.0kW, 1.2kW, 1.4kW, 2.0kW OSGR Starters (Drive)

Replaces: Ref# 6004

Dim: 20mm ID x 42mm OD x 12mm W

Features:

- Premium Quality

6-104-2
Ball Bearing
Dbl. Shielded

Same as 6-104-4 except...

Features:

- Premium Quality, Dbl. Shielded

6-104-4W
Ball Bearing
Dbl. Sealed

Same as 6-104-4 except...

Features:

- WBD

STARTER - BEARINGS (6-, 8-, 10-)

BALL BEARINGS (cont'd.)



6-105-4
Ball Bearing
Dbl. Sealed

For: Delco 28MT Series (Drive Shaft); Nippondenso 2.5kW, 3.0kW, 4.5kW, 5.5kW OSGR Starters (Drive)

Replaces: Ref# 6005

Dim: 25mm ID x 47mm OD x 12mm W

Features:

- Premium Quality

6-105-2
Ball Bearing
Dbl. Shielded

Same as 6-105-4 except...

Features:

- Premium Quality, Dbl. Shielded



6-106-4
Ball Bearing
Dbl. Sealed

For: Hitachi PMGR Starters (D.E.); Bus Blower Motors

Replaces: Ref# 6006

Unit Nos: Hitachi S114-503A,

S114-516, A; S114-528, A

Lester Nos: 16817, 17196

WAI Ref. Nos: 2-1107-HI, 2-1123-HI, 2-1446-HI

Dim: 30mm ID x 55mm OD x 13mm W

Features:

- Premium Quality



6-200-4
Ball Bearing
Dbl. Sealed

For: Motorola, Paris Rhone IR/EF Alternators (S.R.E.); Delco 28MT, 29MT Series; Nikko, Nippondenso OSGR Starters (Armature)

Replaces: Delco 10456462; Motorola 11-2, 11-23; Prestolite 111-2, 111-23, 25-24, 6200LU, X-3433; Ref# 6200

Dim: 10mm ID x 30mm OD x 9mm W

Features:

- Premium Quality

6-200-2
Ball Bearing
Dbl. Shielded

Same as 6-200-4 except...

Features:

- Premium Quality, Dbl. Shielded

6-200-4N
Ball Bearing
Dbl. Sealed

Same as 6-200-4 except...

Features:

- Mfd. by NTN, OE Supplier

6-200-4W
Ball Bearing
Dbl. Sealed

Same as 6-200-4 except...

Features:

- WBD



6-201-4
Ball Bearing
Dbl. Sealed

For: Bosch, Hitachi, Iskra, Mitsubishi, Nippondenso, Paris Rhone Alternators (S.R.E.); Delco 38MT Series PLGR, Mitsubishi OSGR Starters (Armature)

Replaces: Ref# 6201

Dim: 12mm ID x 32mm OD x 10mm W

Features:

- Premium Quality

6-201-2
Ball Bearing
Dbl. Shielded

Same as 6-201-4 except...

Features:

- Premium Quality, Dbl. Shielded

6-201-4N
Ball Bearing
Dbl. Sealed

Same as 6-201-4 except...

Features:

- Mfd. by NTN, OE Supplier

6-201-4W
Ball Bearing
Dbl. Sealed

Same as 6-201-4 except...

Features:

- WBD



6-202-4
Ball Bearing
Dbl. Sealed

For: Bosch ER/EF, IR/EF, Delco AD230, AD237, AD244, CS130D Series IR/IF (S.R.E.); Hitachi, Mitsubishi, Nippondenso (D.E.); Lucas Generators (D.E.); Nippondenso 3.0kW, 5.5kW OSGR Starters (Armature)

Replaces: Bosch 1-100-900-000; Delco 10475023; Lucas 54160090, UTB100; Ref# 6202

Dim: 15mm ID x 35mm OD x 11mm W

Features:

- Premium Quality

6-202-2
Ball Bearing
Dbl. Shielded

Same as 6-202-4 except...

Features:

- Premium Quality, Dbl. Shielded

6-202-4N
Ball Bearing
Dbl. Sealed

Same as 6-202-4 except...

Features:

- Mfd. by NTN, OE Supplier

6-202-4W
Ball Bearing
Dbl. Sealed

Same as 6-202-4 except...

Features:

- WBD



6-202-84
Ball Bearing
Dbl. Sealed

For: Hitachi ER/EF, IR/EF Alternators w/ Vacuum Pump (S.R.E.)

Unit Nos: Hitachi LR140-112;

LR140-130B, P; LR140-131;

LR150-133B, C, E; LR150-146C;

LR150-147B, C; LR150-155B,

LR150-201B; LR150-205, B; LR150-402,

LR150-402C, LR150-403, LR150-434B,

LR155-12C, LR155-16B; LR160-96B, C;

LR160-97B, C; LR160-401, C;

LT140-105, LT140-107, LT150-57E

(cont'd.)

(cont'd.)

Lester Nos: 14209, 14214, 14586, 14613, 14615, 14645, 14648, 14649, 14653, 14654, 14730, 14731, 14858, 14874, 14952

WAI Ref. Nos: 1-1094-01HI, 1-1113-01HI, 1-1121-01HI, 1-1129-01HI, 1-1130-01HI, 1-1236-01HI, 1-1247-01HI, 1-1516-01HI, 1-1570-01HI, 1-1571-01HI

Dim: 15mm ID x 35mm OD x 11mm W

Note: With 2-plastic tolerance rings

Features:

- Premium Quality



6-203-4
Ball Bearing
Dbi. Sealed

For: Chrysler, Delco, Ford, Leece-Neville, Motorola; European & Japanese Alternators

Replaces: Bosch 1-120-900-004, 1-120-905-020, 1-120-905-041, 1-120-905-050, 1-120-905-525, 1-900-905-273, 1-900-905-277; Chrysler 3656444, 4364852, 5226446; Delco 908019, 10469092, 10473403; Ford C9ZZ-10094-A; Leece-Neville 26853; Motorola 11-1, 11-21; Prestolite 25-1, 25-34, 25-73; Ref# 6203

Dim: 17mm ID x 40mm OD x 12mm W

Features:

- Premium Quality

6-203-4N
Ball Bearing
Dbi. Sealed

Same as 6-203-4 except...

Features:

- Mfd. by NTN, OE Supplier

6-203-4W
Ball Bearing
Dbi. Sealed

Same as 6-203-4 except...

Features:

- WBD



6-203-84
Ball Bearing
Dbi. Sealed

For: Ford 4G Series IR/IF Alternators (S.R.E.)

Replaces: Ford F5OU-10A304-AA

Dim: 17mm ID x 40mm OD x 12mm W

Note: With 2-plastic tolerance rings

Features:

- Premium Quality

6-203-84W
Ball Bearing
Dbi. Sealed

Same as 6-203-84 except...

Features:

- WBD



6-204-4
Ball Bearing
Dbi. Sealed

For: Autolite, Delco Generators; Leece-Neville Alternators

Replaces: Ref# 6204

Dim: 20mm ID x 47mm OD x 14mm W

Features:

- Premium Quality

6-204-4W
Ball Bearing
Dbi. Sealed

Same as 6-204-4 except...

Features:

- WBD



6-205-4
Ball Bearing
Dbi. Sealed

For: Delco, Leece-Neville, Motorola Alternators; Delco 38MT, 39MT Series PLGR; Mitsubishi OSGR Starters (Armature)

Replaces: Delco 904983; Leece-Neville 29656; Motorola 11-40; Prestolite 111-40;

Ref# 6205

Dim: 25mm ID x 52mm OD x 15mm W

Features:

- Premium Quality

6-205-4W
Ball Bearing
Dbi. Sealed

Same as 6-205-4 except...

Features:

- WBD



6-206-4
Ball Bearing
Dbi. Sealed

For: Leece-Neville Alternators; Electric Motors & Pump Motors

Replaces: Leece-Neville 28892; Ref# 6206

Dim: 30mm ID x 62mm OD x 16mm W

Features:

- Premium Quality

6-206-4W
Ball Bearing
Dbi. Sealed

Same as 6-206-4 except...

Features:

- WBD

STARTER - BEARINGS (6-, 8-, 10-)

BALL BEARINGS (cont'd.)



6-207-4
Ball Bearing
Dbl. Sealed

For: Electric Motors & Pump Motors
Replaces: Ref# 6207
Dim: 35mm ID x 72mm OD x 17mm W
Features:
• Premium Quality



6-209-4
Ball Bearing
Dbl. Sealed

For: Delco 50DN Series Bus Alternators (Inner D.E.)
Replaces: Delco 903209, 9439722, 9439723, 10499878;
Ref# 6209
Dim: 45mm ID x 85mm OD x 19mm W
Features:
• Premium Quality

6-209-2
Ball Bearing
Dbl. Shielded

Same as 6-209-4 except...
Features:
• Premium Quality, Dbl. Shielded



6-301-4
Ball Bearing
Dbl. Sealed

For: Delco 39MT Series PLGR Starters, Mitsubishi OSGR Starters (Armature)
Replaces: Ref# 6301
Dim: 12mm ID x 37mm OD x 12mm W
Features:
• Premium Quality



6-302-4
Ball Bearing
Dbl. Sealed

For: Hitachi, Mitsubishi IR/EF, IR/IF Alternators (D.E.); Lucas Generators (D.E.)
Replaces: Ref# 6302
Dim: 15mm ID x 42mm OD x 13mm W
Features:
• Premium Quality

6-302-2
Ball Bearing
Dbl. Shielded

Same as 6-302-4 except...
Features:
• Premium Quality, Dbl. Shielded

6-302-4W
Ball Bearing
Dbl. Sealed

Same as 6-302-4 except...
Features:
• WBD



6-303-4
Ball Bearing
Dbl. Sealed

For: Chrysler 100-114A; Delco AD230, AD237, AD244, CS121, CS121D, CS130, CS130D, CS144 Series; Ford 3G, 4G, 6G Series; European, Japanese Alternators (D.E.)
Replaces: Ref# 6303
Dim: 17mm ID x 47mm OD x 14mm W
Features:
• Premium Quality

6-303-2
Ball Bearing
Dbl. Shielded

Same as 6-303-4 except...
Features:
• Premium Quality, Dbl. Shielded

6-303-4N
Ball Bearing
Dbl. Sealed

Same as 6-303-4 except...
Features:
• Mfd. by NTN, OE Supplier

6-303-4W
Ball Bearing
Dbl. Sealed

Same as 6-303-4 except...
Features:
• WBD



6-304-4
Ball Bearing
Dbl. Sealed

For: Leece-Neville, Nippondenso IR/EF Alternators (D.E.)
Replaces: Delco 907187; Leece-Neville 57166;
Ref# 6304
Dim: 20mm ID x 52mm OD x 15mm W
Features:
• Premium Quality

6-304-4W
Ball Bearing
Dbl. Sealed

Same as 6-304-4 except...
Features:
• WBD



6-305-4
Ball Bearing
Dbl. Sealed

For: Delco, Ford, Leece-Neville, Motorola, Nippondenso, Prestolite Heavy Duty Alternators (D.E.)
Replaces: Delco 904722, 907351, 907356, 907689, 907940, 908020, 908055, 954554, 9437824, 9439570, 9439571, 9441901, 10472935, 12334741;
Leece-Neville 76262, 78895, 101413; Motorola 11-34; Prestolite 25-4, 25-71;
Ref# 6305
Dim: 25mm ID x 62mm OD x 17mm W
Features:
• Premium Quality

6-305-2
Ball Bearing
Dbl. Shielded

Same as 6-305-4 except...

Features:

- Premium Quality, Dbl. Shielded

6-305-4W
Ball Bearing
Dbl. Sealed

Same as 6-305-4 except...

Features:

- WBD



6-306-4
Ball Bearing
Dbl. Sealed

For: Electric Motors

Replaces: Ref# 6306

Dim: 30mm ID x 72mm OD x 19mm W

Features:

- Premium Quality



6-307-4
Ball Bearing
Dbl. Sealed

For: AC or DC Electric Motors

Replaces: Ref# 6307

Dim: 35mm ID x 80mm OD x 21mm W

Features:

- Premium Quality



6-403-4
Ball Bearing
Dbl. Sealed

For: Bosch Alternators (D.E.)

Replaces: Bosch 1-120-900-010

Dim: 17mm ID x 62mm OD x 17.5mm W

Note: When replacing earlier design open bearing w/ 6-403-4 dbl. sealed bearing, the 2-steel shims (shields) are not required

Features:

- Premium Quality



6-608-4
Ball Bearing
Dbl. Sealed

For: Delco PMGR; Hitachi, Mitsubishi, Mitsubishi, Nippondenso Starters (Armature)

Replaces: Delco 9440924; Ref# 608

Dim: 8mm ID x 22mm OD x 7mm W

Features:

- Premium Quality

6-608-2
Ball Bearing
Dbl. Shielded

Same as 6-608-4 except...

Features:

- Premium Quality, Dbl. Shielded

6-608-4W
Ball Bearing
Dbl. Sealed

Same as 6-608-4 except...

Features:

- WBD



6-628-2
Ball Bearing
Dbl. Shielded

For: Mitsuba PMGR, PMOSGR Starters (C.E.)

Replaces: Ref# 628

Unit Nos: Mitsuba SM402-03, SM402-04, SM402-05, SM402-10N, SM402-11N, SM402-12N, SM402-13N, SM402-15, SM402-16N, SM512-02

Lester Nos: 16960, 16975, 17201, 17205, 17431, 17433, 17474, 17527

WAI Ref. Nos: 2-1019-MT, 2-1020-MT, 2-1021-MT, 2-1022-MT, 2-1468-MT, 2-1521-MT, 2-1523-MT, 2-1524-MT

Dim: 8mm ID x 24mm OD x 8mm W

Features:

- Premium Quality

6-628-2W
Ball Bearing
Dbl. Shielded

Same as 6-628-2 except...

Features:

- WBD



6-629-4
Ball Bearing
Dbl. Sealed

For: Prestolite GJG Series Marine Generators (C.E.); Mitsubishi OSGR, PLGR Starters (Armature)

Replaces: Prestolite 25-23, GJG-45; Ref# 629

Dim: 9mm ID x 26mm OD x 8mm W

Features:

- Premium Quality

6-629-4W
Ball Bearing
Dbl. Sealed

Same as 6-629-4 except...

Features:

- WBD

STARTER - BEARINGS (6-, 8-, 10-)

BALL BEARINGS (cont'd.)



6-638-4
Ball Bearing
Dbl. Sealed

For: Nippondenso OSGR Starters (Armature)

Unit Nos: Nippondenso 228000-304, 228000-326, 228000-408, 228000-409, 228000-430, 228000-475, 228000-504, 228000-512, 228000-533, 228000-586, 228000-695, 228000-739

Lester Nos: 17533, 17535, 17581, 17665, 17672, 17706, 17711, 17748, 18004, 18139, 18198

Dim: 8mm ID x 28mm OD x 9mm W

Features:

- Premium Quality

6-638-4W
Ball Bearing
Dbl. Sealed

Same as 6-638-4 except...

Features:

- WBD



6-708-4W
Ball Bearing
Dbl. Sealed

For: Lucas C40T Series Generators (C.E.)

Replaces: Ford C5NF-10094-A; Lucas UTB103; Prestolite 25-12, X-294; Ref# R8

Dim: 12.7mm (.5") ID x 28.6mm (1.125") OD x 7.9mm (.3125") W

Features:

- WBD



6-712-4
Ball Bearing
Dbl. Sealed

For: Harley-Davidson Starters (D.E.)

Replaces: Harley-Davidson 31539-66; Ref# R12

Dim: 19.1mm (.75") ID x 41.3mm (1.625") OD x 11.1mm (.4375") W

Features:

- Premium Quality

6-712-4W
Ball Bearing
Dbl. Sealed

Same as 6-712-4 except...

Features:

- WBD



6-902-2
Ball Bearing
Dbl. Shielded

For: Mitsubishi SM302 Series Starters (Armature)

Replaces: Ref# 6902

Dim: 15mm ID x 28mm OD x 7mm W

Features:

- Premium Quality

6-902-2W
Ball Bearing
Dbl. Shielded

Same as 6-902-2 except...

Features:

- WBD



6-903-4
Ball Bearing
Dbl. Sealed

For: Hitachi OSGR Starters (Armature)

Replaces: Ref# 6903

Dim: 17mm ID x 30mm OD x 7mm W

Features:

- Premium Quality

6-903-2
Ball Bearing
Dbl. Shielded

Same as 6-903-4 except...

Features:

- Premium Quality, Dbl. Shielded

6-903-4W
Ball Bearing
Dbl. Sealed

Same as 6-903-4 except...

Features:

- WBD



6-904-4
Ball Bearing
Dbl. Sealed

For: Hitachi, Mitsuba, Mitsubishi, Nippondenso OSGR Starters (Drive Assy.)

Replaces: Ref# 6904

Dim: 20mm ID x 37mm OD x 9mm W

Features:

- Premium Quality

6-904-2
Ball Bearing
Dbl. Shielded

Same as 6-904-4 except...

Features:

- Premium Quality

6-904-4W
Ball Bearing
Dbl. Sealed

Same as 6-904-4 except...

Features:

- WBD



6-905-4
Ball Bearing
Dbl. Sealed

For: Hitachi OSGR Starters (Armature)

Replaces: Ref# 6905

Dim: 25mm ID x 42mm OD x 9mm W

Features:

- Premium Quality



6-906-4
Ball Bearing
Dbl. Sealed

For: Hitachi PMGR Starters (D.E.)

Replaces: Ref# 6906

Unit Nos: Hitachi S114-701A, C; S114-753, C; S114-755, S114-756, S114-757

WAI Ref. Nos: 2-1128-HI, 2-1441-HI, 2-1560-HI (cont'd.)

STARTER - BEARINGS (6-, 8-, 10-)

(cont'd.)

Dim: 30mm ID x 47mm OD x 9mm W

Features:

- Premium Quality



6-2000-4N
Ball Bearing
Dbl. Sealed

For: Delco CS121, CS130 IR/EF; CS121D IR/IF Series Alternators (S.R.E.)

Replaces: Delco 10473711;

Ref# 62000

Dim: 10mm ID x 26mm OD x 10mm W

Features:

- Mfd. by NTN, OE Supplier

6-2000-4W
Ball Bearing
Dbl. Sealed

Same as 6-2000-4N except...

Features:

- WBD



6-2201-4
Ball Bearing
Dbl. Sealed

For: Bosch IR/EF Alternators

Replaces: Bosch 1-120-905-024, -031; 1-900-905-274;

Ref# 62201

Dim: 12mm ID x 32mm OD x 14mm W

Features:

- Premium Quality

6-2201-4W
Ball Bearing
Dbl. Sealed

Same as 6-2201-4 except...

Features:

- WBD



6-2303-4
Ball Bearing
Dbl. Sealed

For: Marelli Alternators (D.E.)

Replaces: Ref# 62303

Dim: 17mm ID x 47mm OD x 19mm W

Features:

- Premium Quality



6-3101-4
Ball Bearing
Dbl. Sealed

For: Bosch ER/EF, IR/EF Alternators (S.R.E.)

Replaces: Bosch 1-120-900-012, 1-120-905-003; Ref# W6001

Unit Nos: Bosch 0-120-300-559, -568, -569; 0-120-339-516, -528, -533; 0-120-450-008, -009; -500, -501, -502, -503, -504, -505, -513, -514, -515, -524, -525, -528, -533, -535, -538, -539, -541, -542 to -548, -551 to -556, -558, -559, -566, -581, -582, -583, -584, -586, -588, -589, -590, -591, -594, -595, -598, -599, -600, -603 to -610, -617, -618, -619, -620, -628, -631, -632, -633, -636, -637, -638, -642, -645, -648, -649, -654, -664, -668, -670, -674, -675, -711, -712, -721, -754, -782, -783, -804, -805, -806, -945; 0-120-489-328, 0-123-320-011, 0-123-325-007, 0-123-335-005, 9-120-080-226; Marelli 63300901

Lester Nos: 13023, 058, 122, 161, 246, 610; 14000, 059, 396, 418, 603, 778, 782, 783, 785, 791, 806, 820, 821, 825, 964, 966

Dim: 12mm ID x 28mm OD x 12mm W

Features:

- Premium Quality

6-3101-2W
Ball Bearing
Dbl. Shielded

Same as 6-3101-4 except...

Features:

- WBD, Dbl. Shielded

6-3101-4W
Ball Bearing
Dbl. Sealed

Same as 6-3101-4 except...

Features:

- WBD



6-3102-4
Ball Bearing
Dbl. Sealed

For: Nippondenso IR/IF Alternators (S.R.E.)

Replaces: Ref# W6002

Unit Nos: Nippondenso 100211-140, -143, -155, -156, -157, -163, -166, -167, -168, -180, -400, -408, -410, -411, -413, -415, -417, -426, -435, -439, -444, -452, -454, -464, -465, -660, -672, -678, -686, -688, -693, -696, -699; 101211-110, -202, -213, -224, -236, -237

Lester Nos: 12180, 12182, 12187, 12190, 13214, 13239, 13255, 13316, 13414, 13485, 13522, 13740, 14684, 14733, 14843, 14937, 14940

Dim: 15mm ID x 32mm OD x 11mm W

Features:

- Premium Quality

6-3102-4W
Ball Bearing
Dbl. Sealed

Same as 6-3102-4 except...

Features:

- WBD



6-3203-4
Ball Bearing
Dbl. Sealed

For: Motorola / Prestolite 8SA, 12SA Series Alternators (S.R.E.)

Replaces: Motorola 11-39; Prestolite 111-39;

Ref# W6203

Dim: 17mm ID x 40mm OD x 17.5mm W

Features:

- Premium Quality

6-3203-4W
Ball Bearing
Dbl. Sealed

Same as 6-3203-4 except...

Features:

- WBD

STARTER - BEARINGS (6-, 8-, 10-)

BALL BEARINGS (cont'd.)



6-3205-4
Ball Bearing
Dbl. Sealed

For: Leece-Neville Alternators (S.R.E.)
Replaces: Leece-Neville 32054, 36686;
Ref# W6205
Dim: 25mm ID x 52mm OD x 20.6mm W
Features:
• Premium Quality



6-3305-4
Ball Bearing
Dbl. Sealed

For: Leece-Neville 2300-2800JB Series
Alternators (D.E.)
Replaces: Leece-Neville 35624;
Ref# W6305
Dim: 25mm ID x 62mm OD x 25.4mm W
Note: Extra wide bearing
Features:
• Premium Quality

6-3305-4W
Ball Bearing
Dbl. Sealed

Same as 6-3305-4 except...
Features:
• WBD



6-3306-4
Ball Bearing
Dbl. Sealed

For: Leece-Neville Alternators (D.E.)
Replaces: Leece-Neville 74091;
Ref# W6306
Dim: 30mm ID x 72mm OD x 30.2mm W
Features:
• Premium Quality



7-3306
Ball Bearing
Open

For: Delco 50DN Series Bus Alternators
(Outer D.E.)
Replaces: Delco 954533, 9439724;
Ref# 3306
Dim: 30mm ID x 72mm OD x 30.2mm W
Note: Double row angular contact bearing. Used in air-cooled or oil-cooled alternators.



10-800-4
Ball Bearing
Dbl. Sealed

For: Mando, Mitsubishi IR/IF Alternators
(S.R.E.)
Replaces: Ref# SC8A05LHI
Lester Nos: 13183, 188, 189, 190,
196, 211, 213, 227, 230, 231, 237, 238,
249, 251, 253, 257, 263, 271, 272, 282,
286, 289, 290, 293, 295, 297, 298, 299,
303, 314, 336, 337, 350, 352, 406, 415,
416, 430, 432, 439, 445, 446, 447, 448,
450, 451, 460, 473, 478, 479, 480, 511,
(cont'd.)

(cont'd.)

523, 549, 559, 575, 577, 580, 584, 585,
586, 587, 596, 597, 598, 608, 614, 615,
616, 648, 649, 650, 692, 698, 700, 701,
716, 717, 718, 723, 735, 750, 751, 752,
762, 764, 780, 781, 786, 787, 821;
14243, 436, 656, 699, 718, 720, 723,
724, 725, 905, 906, 908, 910, 916, 967,
979

Dim: 8mm ID x 23mm OD x 14mm W

Note: With 2-plastic tolerance rings

Features:

- Premium Quality

10-800-4W
Ball Bearing
Dbl. Sealed

Same as 10-800-4 except...

Features:

- WBD



10-874-4
Ball Bearing
Dbl. Sealed

For: Mitsubishi IR/IF Alternators (S.R.E.)

Replaces: Ref# B8-74D

Unit Nos: Mitsubishi A1T40391,
A1T40491, A1T40791, A2T41791,
A2T41991, A2T42777, A2T45272,
A2T48176, A2T48195, A5T40374

Lester Nos: 14447, 14655, 14656,
14657, 14693, 14694, 14697, 14699,
14706, 14708, 14709, 14725, 14908,
14917, 14950

WAI Ref. Nos: 1-1099-01MI,
1-1105-01MI, 1-1105-02MI,
1-1162-01MI, 1-1186-01MI,
1-1193-01MI, 1-1194-01MI,
1-1195-01MI

Dim: 8mm ID x 22mm OD x 11mm W

Note: With retaining ring

Features:

- Premium Quality

10-874-4W
Ball Bearing
Dbl. Sealed

Same as 10-874-4 except...

Features:

- WBD



10-879-4
Ball Bearing
Dbi. Sealed

For: Mando, Mitsubishi IR/IF Alternators (S.R.E.)

Replaces: Ref# B8-79D

Unit Nos: Mando AB155001, AB175020, AB190025, AR160A; Mitsubishi A0T25371, 25471; A1T01591, 01691, 01991, 34672, 40191, 40291, 40671, 40891; A2T00991, 02271, 02471, 03072, 03471, 03477, 03691, 03792, 03892, 03972, 04271, 06871, 07292, 07292A, 09392, 09493, 09691, 09792, 17692, 43791, 43891, 43892, 45272A, 46395, 47474, 47794, 48176A, 48195A, 48691, 48791, 49891, 49972, 49977, 49992; A5T31177, 41094, 41592; A7T30492, 30571

Lester Nos: 13197, 13249, 13265, 13289, 13318, 13332, 14427, 14428, 14429, 14430, 14431, 14432, 14433, 14434, 14435, 14436, 14437, 14438, 14445, 14447, 14655, 14656, 14657, 14693, 14697, 14706, 14709, 14718, 14723, 14724, 14725, 14876, 14910, 14916, 14917, 14950, 14967, 14979

Dim: 8mm ID x 23mm OD x 11mm W

Note: With retaining ring

Features:

- Premium Quality

10-879-4W
Ball Bearing
Dbi. Sealed

Same as 10-879-4 except...

Features:

- WBD



10-885-4
Ball Bearing
Dbi. Sealed

For: Mando, Mitsubishi IR/IF Alternators (S.R.E.)

Replaces: Ref# B8-85D

Lester Nos: 13182, 13196, 13259, 13266, 13292, 14655, 14656, 14725, 14902, 14903, 14910

WAI Ref. Nos: 1-1017-01MI, 1-1105-01MI, 1-1105-02MI, 1-1135-01MI, 1-1142-01MI, 1-1149-01MI, 1-1171-01MI, 1-1173-01MI, 1-1944-01MI, 1-2342-01MI

Dim: 8mm ID x 23mm OD x 14mm W

Note: With retaining ring

Features:

- Premium Quality

10-885-4W
Ball Bearing
Dbi. Sealed

Same as 10-885-4 except...

Features:

- WBD



10-900-4W
Ball Bearing
Dbi. Sealed

For: Mitsubishi IR/IF Alternators (S.R.E.)

Replaces: Ref# SC008ILHIA

Unit Nos: Mitsubishi A4T00796, A4T01493, A4T01893, A4T03091, A4T03191, A4T03591, A4T30593

Lester Nos: 13212, 13351, 13435

WAI Ref. Nos: 1-1184-01MI, 1-1432-01MI, 1-1595-01MI

Dim: 10mm ID x 27mm OD x 14mm W

Note: With 2-plastic tolerance rings

Features:

- WBD



10-1041-4
Ball Bearing
Dbi. Sealed

For: Mitsubishi PLGR Starters (D.E.)

Unit Nos: Mitsubishi M8T50071, M8T50171, M8T50172

Lester Nos: 17577, 17578

WAI Ref. Nos: 2-1747-MI, 2-1748-MI

Dim: 20mm ID x 42mm OD x 12mm W

Note: With 2-grooves in bore

Features:

- Premium Quality

10-1041-4W
Ball Bearing
Dbi. Sealed

Same as 10-1041-4 except...

Features:

- WBD



10-1046-4
Ball Bearing
Dbi. Sealed

For: Hitachi IR/IF Alternators (S.R.E.)

Replaces: Ref# B10-46D

Unit Nos: Hitachi LR145-701, B, E; LR170-702B

Lester Nos: 14655, 14717

WAI Ref. Nos: 1-1105-01HI, 1-1105-02HI

Dim: 10mm ID x 23mm OD x 11mm W

Note: With retaining ring

Features:

- Premium Quality

10-1046-4W
Ball Bearing
Dbi. Sealed

Same as 10-1046-4 except...

Features:

- WBD



10-1050-4
Ball Bearing
Dbi. Sealed

For: Hitachi IR/IF Alternators (S.R.E.)

Replaces: Ref# B10-50D

Unit Nos: Hitachi LR150-703; LR150-704, H; LR150-711, LR160-715; LR160-718, H; LR160-723, B; LR160-724; LR160-725, C; LR160-726, LR160-731; LR165-704, B; LR165-707; B, LR170-714; LR170-715, B; LR170-716, B; LR170-717, LR170-727; LR170-732B, C; LR170-734B; LR170-738, B, C, E; LR170-739, B; LR170-744, LR170-755, LR180-715; LR180-718, B; LR180-719; LR180-725, B, C; LR180-729; LR180-733, B; LR180-734B, LR180-736B, LR190-717, LR190-744

Lester Nos: 13250, 273, 275, 285, 287, 327, 329, 334, 474, 531, 533, 534, 564, 744, 745, 757, 825; 14241, 242, 719, 743, 859, 860, 960, 979

Dim: 10mm ID x 27mm OD x 11mm W

Note: With retaining ring

Features:

- Premium Quality

10-1050-4W
Ball Bearing
Dbi. Sealed

Same as 10-1050-4 except...

Features:

- WBD

STARTER - BEARINGS (6-, 8-, 10-)

BALL BEARINGS (cont'd.)



10-1050-84
Ball Bearing
DbL. Sealed

For: Hitachi IR/IF (External Driver) Alternators (S.R.E.)

Unit Nos: Hitachi LR160-727, LR165-708C, LR170-745; LR170-748, B; LR170-757B, LR170-758, LR180-725E, LR180-734C, LR180-741H, LR180-742, LR180-744, LR180-751, LR185-701, E; LR185-702, LR190-724, LR190-729; LR190-737B, E; LR1100-704B; LR1100-709, B; LR1100-711B, LR1100-716; LR1110-705, B; LR1110-707C, E, F, G; LR1110-709, B; LR1125-702, B, F

Lester Nos: 13534, 13612, 13636, 13637, 13638, 13639, 13640, 13641, 13642, 13643, 13644, 13645, 13657, 13712, 13713, 13724, 13728, 13760, 13778, 13788, 13789

Dim: 10mm ID x 27mm OD x 11mm W

Note: With 2-plastic tolerance rings

Features:

- Premium Quality



10-1051-4
Ball Bearing
DbL. Sealed

For: Ford 6G Series IR/IF Alternators (S.R.E.)

Lester Nos: 7788, 7795, 7796, 7797, 7798, 7799, 8250, 8253, 8256

Dim: 10mm ID x 27mm OD x 11mm W

Features:

- Premium Quality

10-1051-4W
Ball Bearing
DbL. Sealed

Same as 10-1051-4 except...

Features:

- WBD



10-1569-4
Ball Bearing
DbL. Sealed

For: Hitachi IR/EF Alternators (S.R.E.)

Replaces: Ref# B15-69

Unit Nos: Hitachi LR150-449C, LR160-422B, LR165-03, LR170-401; LR170-404, B, C; LR170-410; LR170-418B, C; LR180-509, LR235-402

Lester Nos: 14663, 14735, 14753

WAI Ref. Nos: 1-1116-01HI,

1-1426-01HI, 1-1940-01HI,

1-1940-02HI, 1-2271-01HI,

1-2317-01HI, 1-2358-01HI

Dim: 15mm ID x 35mm OD x 13mm W

Note: With retaining ring

Features:

- Premium Quality



10-1583-4
Ball Bearing
DbL. Sealed

For: Mitsubishi IR/IF Alternators (D.E.)

Replaces: Ref# B15-83D

Unit Nos: Mitsubishi A2T02394, A2T02394B, A2T14694, A2T47794, A2T47794B, A2T48594B, A2T48594C, A3T00491, A3T00896, A3T01496, A3T01596, A3T01598, A3T03891, A3T12691

Lester Nos: 13188, 13189, 13190, 13230, 13263, 13298, 14979

WAI Ref. Nos: 1-1098-01MI,

1-1175-01MI, 1-1180-01MI,

1-1180-02MI, 1-1182-01MI,

1-1183-01MI, 1-1259-01MI,

1-2164-01MI

Dim: 15mm ID x 47mm OD x 18mm W

Features:

- Premium Quality

10-1583-4W
Ball Bearing
DbL. Sealed

Same as 10-1583-4 except...

Features:

- WBD



10-1594-4
Ball Bearing
DbL. Sealed

For: Mitsubishi IR/IF Alternators (D.E.)

Replaces: Ref# TMB303LU

Unit Nos: Mitsubishi A2T13894, A2T18792, A2T27594, A2T29594, A2TA3791, A2TA7491, A4T00796

Lester Nos: 13212, 13286, 13549, 13575

WAI Ref. Nos: 1-1120-01MI,

1-1184-01MI, 1-1427-01MI,

1-1928-01MI

Dim: 17mm ID x 47mm OD x 18mm W

Features:

- Premium Quality

10-1594-4W
Ball Bearing
DbL. Sealed

Same as 10-1594-4 except...

Features:

- WBD



10-2011-3
Ball Bearing
Sgl. Sealed

For: Nippondenso IR/EF Alternators (S.R.E.)

Replaces: Ref# 6201-RRU

Unit Nos: Nippondenso 021000-741, 021000-875, 100211-007, 100211-008, 100211-0081, 100211-028, 100211-029, 100211-580

Lester Nos: 12065, 13143

WAI Ref. Nos: 1-2236-10ND

Dim: 12mm ID x 35mm OD x 18mm W

10-2011-3W
Ball Bearing
Sgl. Sealed

Same as 10-2011-3 except...

Features:

- WBD



10-2012-4
Ball Bearing
Dbl. Sealed

For: Hitachi IR/EF, IR/IF; Mitsubishi IR/EF Alternators (S.R.E.)

Unit Nos: Hitachi LR155-18, LR160-137, LR160-138, LR160-151, LR170-21, LR170-22, LR170-713; LR170-721, B; LR180-704; LR180-705, B; LR180-724; LR190-704, B; LR190-706, LR190-707; LR190-709, B; LR190-711, LR190-714, LR195-701, LR225-86B, LR1100-702, LR1110-701, LR1110-702; Mitsubishi A2T41899, A2T43583, A3T03298, A3T35172, A3T40672, A4T30399, A5T15584, A5T20484, A5T21077, A5T22484

Lester Nos: 13261, 13262, 13324, 13429, 13477, 14267, 14557, 14651, 14660, 14661, 14665, 14690, 14692, 14703, 14721, 14742, 14744, 14745, 14749, 14751, 14752

Dim: 12mm ID x 32mm OD x 10mm W

Note: With retaining ring

Features:

- Premium Quality

10-2012-4W
Ball Bearing
Dbl. Sealed

Same as 10-2012-4 except...

Features:

- WBD



10-2013-4
Ball Bearing
Dbl. Sealed

For: Hitachi IR/IF Alternators (S.R.E.)

Unit Nos: Hitachi LR1110-701B

Lester Nos: 13261

WAI Ref. Nos: 1-1478-01HI

Dim: 12mm ID x 32mm OD x 13mm W

Note: With retaining ring

Features:

- Premium Quality



10-2021-4
Ball Bearing
Dbl. Sealed

For: Nippondenso ER/IF, IR/IF Alternators (S.R.E.)

Replaces: Ref# 444

Dim: 15mm ID x 35mm OD x 13mm W

Features:

- Premium Quality

10-2021-4W
Ball Bearing
Dbl. Sealed

Same as 10-2021-4 except...

Features:

- WBD



10-2022-4
Ball Bearing
Dbl. Sealed

For: Nippondenso IR/IF Alternators (D.E.)

Replaces: Ref# 348

Unit Nos: Nippondenso 100211-156, 100211-157, 100211-411, 100211-413, 100211-417, 100211-426, 100211-429, 100211-435, 100211-660, 100211-672, 100211-686, 100211-699, 101211-202, 101211-236, 101211-237

Lester Nos: 13214, 13239, 13255, 13316, 13414, 13522, 13740, 14733, 14843, 14940

WAI Ref. Nos: 1-1085-01ND,

1-1230-01ND, 1-1230-02ND,

1-1238-01ND, 1-1260-01ND,

1-1881-01ND, 1-1968-01ND,

1-1969-01ND, 1-2134-01ND

Dim: 15mm ID x 38mm OD x 19mm W

Features:

- Premium Quality

10-2022-4W
Ball Bearing
Dbl. Sealed

Same as 10-2022-4 except...

Features:

- WBD



10-2041-4
Ball Bearing
Dbl. Sealed

For: Mitsubishi OSGR Starters (D.E.)

Replaces: Ref# 6204DW

Unit Nos: Mitsubishi M3T56072, M3T56074, M3T56082, M3T56084

WAI Ref. Nos: 2-1913-MI

Dim: 18.7mm ID x 47.1mm OD x 14mm W

Note: With bushing

Features:

- Premium Quality



10-3021-4
Ball Bearing
Dbl. Sealed

For: Nippondenso IR/IF Alternators (D.E.)

Replaces: Ref# 319, 329

Unit Nos: Nippondenso 100211-103, 100211-105, 100211-118, 100211-127, 100211-143

Lester Nos: 14678, 14679, 14733, 14757, 14851, 14940

WAI Ref. Nos: 1-1015-01ND,

1-1062-02ND, 1-1238-01ND

Dim: 15mm ID x 43mm OD x 13mm W

Features:

- Premium Quality

10-3021-4W
Ball Bearing
Dbl. Sealed

Same as 10-3021-4 except...

Features:

- WBD

STARTER - BEARINGS (6-, 8-, 10-)

BALL BEARINGS (cont'd.)



10-3022-4
Ball Bearing
Dbl. Sealed

For: Nippondenso ER/IF, IR/IF Alternators (D.E.)

Replaces: Ref# 336

Lester Nos: 13185, 220, 229, 240, 294, 326, 383, 390, 391, 398, 409, 423, 433, 492, 508, 509, 521, 569, 671, 673, 679, 680, 711, 858; 14449, 453, 454, 457, 458, 472, 591, 611, 643, 668, 671, 674, 678, 679, 680, 682, 683, 732, 739, 755, 756, 757, 759, 847, 851, 852, 853, 854, 855, 857, 869, 872, 930, 931, 935, 939, 941, 974, 989

Dim: 15mm ID x 46mm OD x 14mm W

Features:

- Premium Quality

10-3022-4W
Ball Bearing
Dbl. Sealed

Same as 10-3022-4 except...

Features:

- WBD



10-3031-4
Ball Bearing
Dbl. Sealed

For: Mitsubishi IR/IF Alternators (D.E.)

Replaces: Ref. Nos. B15-86D, TMB303LUX

Lester Nos: 13183, 13196, 13211, 13213, 13227, 13231, 13237, 13238, 13249, 13251, 13253, 13257, 13265, 13266, 13271, 13272, 13282, 13289, 13290, 13293, 13295, 13297, 13298, 13299, 13303, 13314, 13332, 13337, 13350, 13352, 13416, 13432, 13480, 14655, 14656, 14718, 14723, 14724, 14725, 14905

Dim: 15mm ID x 47mm OD x 14mm W

Features:

- Premium Quality

10-3031-4W
Ball Bearing
Dbl. Sealed

Same as 10-3031-4 except...

Features:

- WBD



10-3032-4
Ball Bearing
Dbl. Sealed

For: Ford 3G Series IR/IF (D.E.), Mitsubishi IR/IF Alternators (D.E.)

Unit Nos: Ford F5PZ-10346-GA, F6UZ-10346-SA; Mitsubishi A4T01493, A4T01893

Lester Nos: 13351, 13435, 7785

Dim: 17mm ID x 47mm OD x 24mm W

Features:

- Premium Quality

10-3032-4W
Ball Bearing
Dbl. Sealed

Same as 10-3032-4 except...

Features:

- WBD



10-3041-4
Ball Bearing
Dbl. Sealed

For: Nippondenso IR/IF Alternators (D.E.)

Replaces: Ref# 382

Lester Nos: 13234, 13240, 13241, 13277, 13319, 13322, 13338, 13339, 13392, 13397, 13411, 13455, 13456, 13482, 13486, 13496, 13499, 13500, 13512, 13536, 13659, 13670, 13671, 13673, 14454, 14455, 14611, 14671, 14683, 14847, 14849, 14974

Dim: 15mm ID x 52mm OD x 16mm W

Features:

- Premium Quality

10-3041-4W
Ball Bearing
Dbl. Sealed

Same as 10-3041-4 except...

Features:

- WBD



10-3042-4
Ball Bearing
Dbl. Sealed

For: Nippondenso ER/IF, IR/IF Alternators (D.E.)

Replaces: Ref# 333

Dim: 17mm ID x 52mm OD x 16mm W

Features:

- Premium Quality

10-3042-4W
Ball Bearing
Dbl. Sealed

Same as 10-3042-4 except...

Features:

- WBD



10-3043-4
Ball Bearing
Dbl. Sealed

For: Bosch IR/EF, IR/IF Alternators (D.E.); Ford 6G Series IR/IF Alternators (D.E.)

Replaces: Bosch 1-120-905-012, -054, -055, -070, -089, -510, -520

Unit Nos: Bosch 0-120-465-003, -004, -013, -014, -015, -016, -017; 0-120-468-019, -020, -025, -026, -027, -030 to -033, -048, -049, -057 to -064, -070, -071, -072, -078, -102, -103, -112; 0-120-469-744, -745, -811, -812, -896, -897, -912, -927, -928, -943, -969, -974, -984, -985;

0-120-485-011, -012, -022, -048;

0-120-489-323 to -328, -330;

0-123-214-002; 0-123-310-022, -041, -044; 0-123-315-005, -013;

0-123-320-010, -011, -016, -020, -035, -039, -044, -045, -046, -052, -057;

0-123-335-001 to -006; 0-123-500-001, -002; 0-123-505-007, -009, -017;

0-123-510-002, -004, -013, -018, -021, -023, -028, -033, -040, -051, -059, -061, -066, -067, -068, -073, -079, -080, -088;

0-123-515-002, -004, -010, -030;

0-123-520-003, -006, -007, -008, -012, -017, -019, -021; 0-123-540-002,

0-123-545-004

(cont'd.)

(cont'd.)

Lester Nos: 13243, 13260, 13269, 13270, 13356, 13357, 13359, 13360, 13363, 13364, 13366, 13367, 13372, 13376, 13465, 13469, 13526, 13610, 13611, 13613, 13623, 13624, 13631, 13710, 13729, 13734, 13772, 13779, 13793, 13797, 13798, 13811, 13812, 13819, 14820, 7797

Dim: 17mm ID x 52mm OD x 17mm W

Features:

- Premium Quality

10-3043-4W
Ball Bearing
Dbl. Sealed

Same as 10-3043-4 except...

Features:

- WBD



10-3044-4
Ball Bearing
Dbl. Sealed

For: Mitsubishi IR/IF Alternators (D.E.)

Unit Nos: Mitsubishi A3T08491, A3T12291, A3T12291A, A3T12491, A3T14491, A3TA0791, A3TA0791A, A3TA1191, A3TA1191A, A4T03091, A4T03191, A6T41491, A6T41591

Lester Nos: 13351, 13435, 13446, 13447, 13448, 13596, 13597, 13615, 13692, 13786

WAI Ref. Nos: 1-1432-01MI, 1-1589-01MI, 1-1590-01MI, 1-1595-01MI, 1-1600-01MI, 1-1958-01MI, 1-2076-01MI, 1-2115-01MI, 1-2147-01MI, 1-2203-01MI

Dim: 17mm ID x 52mm OD x 18mm W

Features:

- Premium Quality

10-3044-4W
Ball Bearing
Dbl. Sealed

Same as 10-3044-4 except...

Features:

- WBD



10-3051-4
Ball Bearing
Dbl. Sealed

For: Nippondenso 24V, IR/EF Alternators (D.E.)

Unit Nos: Nippondenso 100211-086, 100211-089

Dim: 25mm ID x 62mm OD x 19mm W

Features:

- Premium Quality



10-3052-4
Ball Bearing
Dbl. Sealed

For: Bosch 24V, IR/EF Alternators (D.E.)

Replaces: Bosch 1-120-905-043

Unit Nos: Bosch 0-122-469-001, 0-122-469-002, 0-122-469-003, 0-122-469-004; Hitachi LR165-02;

Mitsubishi A4T25599, A4T25699, A4T25788, A4T58986

Dim: 25mm ID x 62mm OD x 24mm W

Features:

- Premium Quality



10-7109-1
Ball Bearing

Sgl. Shielded, One Side Open

For: Magnetos

Replaces: Fairbanks Morse C5949; Prestolite 25-27; Ref# 7109

Dim: 15mm ID x 35mm OD x 9mm W



10-9041-4
Ball Bearing
Dbl. Sealed

For: Mitsubishi OSGR Starters (D.E.)

Replaces: Ref# 6904DW

Unit Nos: Delco 1998518, 1998545, 10455706, 22511854, 22515863, 22522853, 22523207;

Mitsubishi M1T50371, M1T50671, M2T56071, M2T56181, M2T56471, M2T60071, M2T60171, M2T60371, M2T66371, M3T66073, M3T66074, M4T66074, M4T66173

Lester Nos: 16744, 16799, 16853, 16854, 16868, 16869, 16870, 16871, 17008, 17036

WAI Ref. Nos: 2-1138-MI, 2-1169-MI, 2-1170-MI, 2-1249-MI, 2-1406-MI, 2-1407-MI, 2-1408-MI, 2-1451-MI, 2-1551-MI, 2-1732-MI, 2-1963-MI

Dim: 18.8mm ID x 37mm OD x 9mm W

Note: With bushing

Features:

- Premium Quality



10-9061-4
Ball Bearing
Dbl. Sealed

For: Mitsubishi PMGR Starters (D.E.)

Replaces: Ref# 6906DW

Unit Nos: Mitsubishi M0T60081, M0T60181, M1T60281, M1T60285, M1T60381

Lester Nos: 17425, 17683, 17685

WAI Ref. Nos: 2-1121-MI, 2-1444-MI, 2-1847-MI, 2-1848-MI

Dim: 30mm ID x 47mm OD x 9mm W

Note: With 2-grooves in bore

Features:

- Premium Quality

STARTER - BEARINGS (6-, 8-, 10-)

BALL BEARINGS (cont'd.)



10-62304-4

Ball Bearing

Dbi. Sealed

For: Bosch IR/EF Alternators (D.E.)

Replaces: Bosch 1-120-905-005

Unit Nos: Bosch 0-120-469-686,
0-120-469-687

Dim: 17mm ID x 52mm OD x 21mm W

Features:

- Premium Quality



10-62322-4

Ball Bearing

Dbi. Sealed

For: Bosch 12-24V, IR/EF Alternators
(D.E.)

Replaces: Bosch 1-120-905-035

Unit Nos: Bosch 0-120-468-028,
0-120-468-054, 0-120-468-055,
0-120-468-136

Lester Nos: 12131

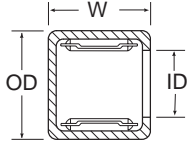
WAI Ref. Nos: 1-2045-01BO

Dim: 22.2mm ID x 56mm OD x 21mm W

Features:

- Premium Quality

NEEDLE BEARING DIMENSION CHART



ID (mm)	OD (mm)	W (mm)	WAI No.	Design	Note
5	9	9	8-9108	Open End	
6	10	8	8-203	Open End	
		9	8-9109	Open End	
6.4	11.1	11	8-114	Open End	
9	13	10	8-9110	Open End	
		12	8-130	Open End	
9.5	14.3	7.9	8-113	Open End	
10	14	10	8-9106	Open End	
		13.8	8-9400	Closed End	
		15	8-8301	Closed End	
11	15.5	14.3	8-8200	Closed End	
	16	12.7	8-118	Open End	
12	16	10	8-201	Open End	
12.7	17.5	14.2	8-702	Closed End	
15	21	12	8-8101	Open End	
16	20.6	12.5	8-202	Open End	
17	23.8	17	8-101-1	Closed End	Torrington
			8-101-2	Closed End	INA
			8-101-5	Closed End	Best Value
			8-122	Closed End	Used w/ 8-121 Inner Race
		17.4	8-501	Open End	
		19.6	8-103	Closed End	Double Seal
		20	8-102	Closed End	
		22	8-119	Closed End	
		31.5	8-109	Closed End	
		33	8-128	Closed End	Double Seal
24	20	8-8201	Closed End		
18	24	16	8-9104	Open End	
19	25.4	14	8-204	Open End	
		19	8-110	Open End	
		19	8-601	Open End	Used with 8-602 Inner Race
20.5	27	9.5	8-8303	Open End	
22.2	30.2	20.6	8-107	Open End	Used w/ 8-108 Inner Race
	40	11.9	8-104	Open End	Used w/ 8-105 or 8-502 Inner Races
25.4	31.8	9.5	8-115	Open End	
30	37	11.9	8-129	Open End	
47	72	30	8-120	Open End	Roller Bearing & Race

STARTER - BEARINGS (6-, 8-, 10-)

ROLLER BEARINGS

Bosch



8-201

Needle Bearing - D.E.

For: Bosch PLGR, PMGR; Delco PMGR; Ford 4" Mod, 4-1/2" Mod, OSGR, PMGR Starters

Replaces: Bosch 9-001-140-384; Delco 9440923; Ford D6AZ-11135-A, E4FZ-11135-A

Dim: 12mm ID x 16mm OD x 10mm W, Open End

Note: For replacement bushing use 62-2403



8-203

Needle Bearing - Planetary Gear

For: Bosch 108 Series PMGR Starters; Ford PMGR Starters

Dim: 6mm ID x 10mm OD x 8mm W, Open End

Note: For replacement bushing use 62-2200



8-9104

Needle Bearing - D.E., C.E.

For: Bosch 410, 411, 413, 414, 415, 416, 417, 418, 420 Series Starters

Used On: Clark, KHD, MAN, Mercedes-Benz Truck, Volvo White-GMC
Replaces: Bosch 2-000-910-002, 2-007-010-055

Dim: 18mm ID x 24mm OD x 16mm W, Open End



8-9106

Needle Bearing - D.E.

For: Bosch 108 Series PMGR Starters
Used On: (2005-87) Cadillac, Chrysler, Dodge, Mercedes, Plymouth, Saab, Volvo

Replaces: Bosch 1-000-917-003
(cont'd.)

(cont'd.)

Unit Nos: Bosch 0-001-107-059, 0-001-107-078, 0-001-108-068, 0-001-108-069, 0-001-108-103, 0-001-108-104, 0-001-108-134, 0-001-108-148, 0-001-108-150, 0-001-108-153, 0-001-108-167, 0-001-108-170, 0-001-108-172, 0-001-115-005

Lester Nos: 16962, 16963, 17508, 17576, 17720, 17757

WAI Ref. Nos: 2-1385-BO, 2-1386-BO, 2-1387-BO, 2-1537-BO, 2-1721-BO, 2-1816-BO, 2-1986-BO, 2-2115-BO

Dim: 10mm ID x 14mm OD x 10mm W, Open End

Note: For bushing replacement use 62-91308



8-9108

Needle Bearing - Planetary Gear

For: Bosch 110, 121 Series PMGR, 218 Series PLGR Starters

Used On: (2005-84) Audi, BMW, Chrysler, Dodge, Mercedes, Plymouth, Porsche, Volkswagen, Volvo

Unit Nos: Bosch 0-001-109-009; 0-001-110-001, -002, -014, -015, -024, -025, -042, -047, -059, -060, -073, -080, -081; 0-001-121-006, -007, -008, -009, -010; 0-001-218-004, -006, -009, -012, -013, -017, -018, -021, -027, -028, -108, -110, -137, -138, -150, -156

Lester Nos: 17009, 17016, 17030, 17040, 17047, 17082, 17158, 17183, 17279, 17280, 17281, 17414, 17780, 17781
WAI Ref. Nos: 2-1262-BO, 2-1268-BO, 2-1276-BO, 2-1289-BO, 2-1347-BO, 2-1348-BO, 2-1349-BO, 2-1365-BO, 2-1392-BO, 2-1533-BO, 2-1540-BO, 2-1975-BO, 2-2116-BO

Dim: 5mm ID x 9mm OD x 9mm W, Open End

Note: For bushing replacement use 62-91200.



8-9109

Needle Bearing - Planetary Gear

For: Bosch 110 Series PMGR; Hitachi PMGR Starters

Used On: (2002-87) Audi, BMW, Infiniti, Jaguar, Land Rover, Mercedes, Nissan, Volkswagen, Volvo

Unit Nos: Bosch 0-001-110-004, -007, -008, -009, -010, -011, -013, -016, -019, -029, -030, -031, -039, -041, -043, -048, -053, -061, -062, -063, -064, -066, -072, -075, -084, -085, -086, -087, -090, -091, -101, -106, -107, -111, -118, -120, -122, -123;

(cont'd.)

(cont'd.)

Hitachi S114-503A, -516, -517C, -519A, -520B, -525, -525A, -527, -527A, -528, -534, -701A, -800B, -801B, -801C, -806A, -822

Lester Nos: 16817, 17038, 17068, 17146, 17149, 17150, 17161, 17196, 17226, 17227, 17231, 17237, 17246, 17408, 17410, 17417, 17454, 17497, 17690, 17698, 17705, 17713

WAI Ref. Nos: 2-1107-HI, 2-1115-HI, 2-1117-HI, 2-1122-HI, 2-1123-HI, 2-1128-HI, 2-1267-BO, 2-1279-BO, 2-1280-BO, 2-1281-BO, 2-1337-BO, 2-1362-BO, 2-1379-BO, 2-1446-HI, 2-1531-BO, 2-1535-BO, 2-1538-BO, 2-1539-BO, 2-1720-BO, 2-1794-BO, 2-1856-HI, 2-1899-BO, 2-1911-BO, 2-1919-BO, 2-1935-HI

Dim: 6mm ID x 10mm OD x 9mm W, Open End



8-9110

Needle Bearing - D.E.

For: Bosch 107 Series PMGR Starters

Used On: (2000-95) Chrysler, Dodge, Eagle, Mitsubishi, Plymouth

Unit Nos: Bosch 0-001-107-031, 0-001-107-032, 0-001-107-049, 9-007-045-018

Lester Nos: 17560, 17563, 17572, 17736

WAI Ref. Nos: 2-1519-BO, 2-1681-BO, 2-1937-BO

Dim: 9mm ID x 13mm OD x 10mm W, Open End

Delco



8-110

Needle Bearing - C.S.

For: Delco 15GR Series OSGR Starters

Replaces: Delco 9421873, 9434170

Dim: 19mm ID x 25.4mm OD x 19mm W, Open End

STARTER - BEARINGS (6-, 8-, 10-)



8-113

Needle Bearing - Planetary Shaft

For: Delco PG200, PG250 Series PMGR Starters

Replaces: Delco 9440920

Unit Nos: Delco 9000719, 735, 762, 763, 768, 775, 776, 789, 796, 797

Dim: 9.5mm ID x 14.3mm OD x 7.9mm W, Open End

Note: For bushing replacement use 62-1301



8-114

Needle Bearing - Planetary Shaft

For: Delco PG200, PG250 Series PMGR Starters

Replaces: Delco 9441688

Unit Nos: Delco 9000719, 735, 762, 763, 768, 775, 776, 789, 796, 797

Lester Nos: 6407, 6409, 6431, 6443

Dim: 6.4mm ID x 11.1mm OD x 11mm W, Open End



8-115

Needle Bearing - Stationary Gear

For: Delco PG200, PG250 Series PMGR Starters

Replaces: Delco 9440922

Unit Nos: Delco 9000719, 735, 762, 763, 768, 775, 776, 789, 796, 797

Lester Nos: 6407, 6409, 6431, 6443

Dim: 25.4mm ID x 31.8mm OD x 9.5mm W, Open End

Note: For bushing replacement use 62-1903



8-118

Needle Bearing - D.E., C.E.

For: Delco 5MT, SD250, SD255, SD260 Series DD Starters

Replaces: Delco 10469066

(cont'd.)

(cont'd.)

Dim: 11mm ID x 16mm OD x 12.7mm W, Open End

Note: For replacement bushing use 62-1408



8-129

Needle Bearing - Stationary Gear

For: Delco 38MT, 39MT Series PLGR Starters

Unit Nos: Delco 19011514, 19011516, 19011517, 19011518, 19011522, 19011523, 19011524, 19011531, 19026027, 19026028

Dim: 30mm ID x 37.0mm OD x 11.9mm W, Open End

Features:

- INA



8-130

Needle Bearing - Planetary Gear

For: Delco 38MT, 39MT Series PLGR Starters

Dim: 9mm ID x 13mm OD x 12mm W, Open End

Note: Used in 76-1890 Planetary Gear.



8-201

Needle Bearing - D.E.

For: Bosch PLGR, PMGR; Delco PMGR; Ford 4" Mod, 4-1/2" Mod, OSGR, PMGR Starters

Replaces: Bosch 9-001-140-384; Delco 9440923; Ford D6AZ-11135-A, E4FZ-11135-A

Dim: 12mm ID x 16mm OD x 10mm W, Open End

Note: For replacement bushing use 62-2403



8-8101

Needle Bearing

For: Delco 38MT, 39MT Series PLGR Starters (Planetary Shaft); Hitachi OSGR Starters (Center Support)

Unit Nos: Delco 8200005, 024, 037, 072, 076, 078; 19011514, 516, 517, 518, 521, 522, 523, 524, 530, 531; 19026027, 028, 029, 032; Hitachi S13-33A, -33B, -34A, -36, -41, -41A, -45, -45A, -45B, -47, -47A, -60, -138; S25-110, -110A, -110B, -110F, -110G, -110L, -142, -142A, -142B, -158A, -158B

Lester Nos: 6802, 6804, 6805, 6806, 6807, 6808, 6812, 6813, 6814, 6818, 6819, 6822, 6832, 6833, 6853, 16733, 16771, 18052, 18058, 18059, 18204, 18291

Dim: 15mm ID x 21mm OD x 12mm W, Open End

Ford



8-201

Needle Bearing - D.E.

For: Bosch PLGR, PMGR; Delco PMGR; Ford 4" Mod, 4-1/2" Mod, OSGR, PMGR Starters

Replaces: Bosch 9-001-140-384; Delco 9440923; Ford D6AZ-11135-A, E4FZ-11135-A

Dim: 12mm ID x 16mm OD x 10mm W, Open End

Note: For replacement bushing use 62-2403



8-202

Needle Bearing - C.E., Gear Housing

For: Ford OSGR Starters

Replaces: Ford E4FZ-11052-A, MC-430

Lester Nos: 3193, 3194

Dim: 16mm ID x 20.6mm OD x 12.5mm W, Open End

STARTER - BEARINGS (6-, 8-, 10-)

ROLLER BEARINGS

Ford (cont'd.)



8-203

Needle Bearing - Planetary Gear

For: Bosch 108 Series PMGR Starters; Ford PMGR Starters
Dim: 6mm ID x 10mm OD x 8mm W, Open End
Note: For replacement bushing use 62-2200



8-204

Needle Bearing - D.E.

For: Ford PMGR Noseless Starters
Used On: (2005-99) Ford, Lincoln
Unit Nos: Ford F81U-11000-AA, -AC, -AD; F81Z-11002-AA; XL1U-11000-AA, -AB; XL1Z-11002-AA, XW4U-11000-CG, XW4Z-11002-CG
Lester Nos: 6646, 6647, 6652
Dim: 19mm ID x 25.4mm OD x 14mm W, Open End

Hitachi



8-8101

Needle Bearing

For: Delco 38MT, 39MT Series PLGR Starters (Planetary Shaft); Hitachi OSGR Starters (Center Support)
Unit Nos: Delco 8200005, 024, 037, 072, 076, 078; 19011514, 516, 517, 518, 521, 522, 523, 524, 530, 531; 19026027, 028, 029, 032; Hitachi S13-33A, -33B, -34A, -36, -41, -41A, -45, -45A, -45B, -47, -47A, -60, -138; S25-110, -110A, -110B, -110F, -110G, -110L, -142, -142A, -142B, -158A, -158B
Lester Nos: 6802, 6804, 6805, 6806, 6807, 6808, 6812, 6813, 6814, 6818, 6819, 6822, 6832, 6833, 6853, 16733, 16771, 18052, 18058, 18059, 18204, 18291
Dim: 15mm ID x 21mm OD x 12mm W, Open End



8-8200

Needle Bearing - D.E.

For: Hitachi DD; Nippondenso DD, PLGR Starters
Used On: (2005-89) Chevrolet, Geo, Honda, Isuzu, Subaru, Suzuki, Toyota; John Deere, Link-Belt Construction
Unit Nos: Hitachi S114-556, S114-556A; Nippondenso 128000-289, 128000-452, 128000-568, 128000-621, 128000-642, 128000-740, 128000-853, 128000-854, 128000-889, 128000-920, 128000-9201, 228000-221, 228000-312, 228000-347, 228000-402, 228000-403, 228000-462, 228000-540, 228000-646, 228000-673, 228000-675, 228000-676
Lester Nos: 17057, 17142, 17203, 17252, 17253, 17679, 17680, 17703
WAI Ref. Nos: 2-1189-ND, 2-1201-ND, 2-1211-HI, 2-1543-ND, 2-1544-ND, 2-1693-ND, 2-1839-ND, 2-1840-ND, 2-1841-ND, 2-1958-ND, 2-1959-ND, 2-2035-ND
Dim: 11mm ID x 15.5mm OD x 14.3mm W, Closed End



8-9109

Needle Bearing - Planetary Gear

For: Bosch 110 Series PMGR; Hitachi PMGR Starters
Used On: (2002-87) Audi, BMW, Infiniti, Jaguar, Land Rover, Mercedes, Nissan, Volkswagen, Volvo
Unit Nos: Bosch 0-001-110-004, -007, -008, -009, -010, -011, -013, -016, -019, -029, -030, -031, -039, -041, -043, -048, -053, -061, -062, -063, -064, -066, -072, -075, -084, -085, -086, -087, -090, -091, -101, -106, -107, -111, -118, -120, -122, -123; Hitachi S114-503A, -516, -517C, -519A, -520B, -525, -525A, -527, -527A, -528, -534, -701A, -800B, -801B, -801C, -806A, -822
Lester Nos: 16817; 17038, 068, 146, 149, 150, 161, 196, 226, 227, 231, 237, 246, 408, 410, 417, 454, 497, 17690, 698, 705, 713
WAI Ref. Nos: 2-1107-HI, 2-1115-HI, 2-1117-HI, 2-1122-HI, 2-1123-HI, 2-1128-HI, 2-1267-BO, 2-1279-BO, 2-1280-BO, 2-1281-BO, 2-1337-BO, 2-1362-BO, 2-1379-BO, 2-1446-HI, 2-1531-BO, 2-1535-BO, 2-1538-BO, 2-1539-BO, 2-1720-BO, 2-1794-BO, 2-1856-HI, 2-1899-BO, 2-1911-BO, 2-1919-BO, 2-1935-HI
Dim: 6mm ID x 10mm OD x 9mm W, Open End

Mitsubishi



8-8301

Needle Bearing - D.E.

For: Mitsubishi DD, OSGR, PLGR, PMGR Starters
Used On: (2002-83) Acura, Ford, Infiniti, Mazda, Mercury, Nissan, Subaru; Nissan Lift Truck
Replaces: Ford F0JY-11135-A, MCE-444
Unit Nos: Mitsubishi M1T74781, M1T74781A, M1T74785, M2T24181, M2T25281, M2T25282, M2T25381, M2T25581, M2T25681, M2T25981, M2T80081, M2T80281, M2T80481, M2T80681, M2T84471, M3T24482A, M3T24482H, M3T24482J, M3T24482K, M3T24483, M3T24486H, M3T48181, M3T48382, M3T49282, M3T49381, M3T49581, M3T49585, M3T49781, M3T49981, M3Y24482, MHG006
Lester Nos: 16858, 16922, 17057, 17179, 17180, 17248, 17275, 17432, 17471, 17515, 17544, 17596, 17662, 17710
WAI Ref. Nos: 2-1003-MI, 2-1120-MI, 2-1142-MI, 2-1144-MI, 2-1161-MI, 2-1211-MI, 2-1223-MI, 2-1402-MI, 2-1452-MI, 2-1461-MI, 2-1468-MI, 2-1768-MI, 2-1846-MI, 2-1853-MI
Dim: 10mm ID x 15mm OD x 15mm W, Closed End
Features:
 • Premium - mfd. in Japan






8-8303

Needle Bearing - Stationary Gear

For: Mitsubishi PLGR Starters
Used On: (2000-94) Ford 7.3L (Diesel)
Unit Nos: Mitsubishi M8T50071, M8T50171, M8T50172
Lester Nos: 17577, 17578
WAI Ref. Nos: 2-1747-MI, 2-1748-MI
Dim: 20.5mm ID x 27mm OD x 9.5mm W, Open End
Note: Used in 76-83815 stationary gear

STARTER - BEARINGS (6-, 8-, 10-)

Nippondenso		Valeo
 8-8200 Needle Bearing - D.E.	 8-8201 Needle Bearing - D.E., C.E.	 8-9400 Needle Bearing - D.E.
<p>For: Hitachi DD; Nippondenso DD, PLGR Starters</p> <p>Used On: (2005-89) Chevrolet, Geo, Honda, Isuzu, Subaru, Suzuki, Toyota; John Deere, Link-Belt Construction</p> <p>Unit Nos: Hitachi S114-556, S114-556A; Nippondenso 128000-289, 128000-452, 128000-568, 128000-621, 128000-642, 128000-740, 128000-853, 128000-854, 128000-889, 128000-920, 128000-9201, 228000-221, 228000-312, 228000-347, 228000-402, 228000-403, 228000-462, 228000-540, 228000-646, 228000-673, 228000-675, 228000-676</p> <p>Lester Nos: 17057, 17142, 17203, 17252, 17253, 17679, 17680, 17703</p> <p>WAI Ref. Nos: 2-1189-ND, 2-1201-ND, 2-1211-HI, 2-1543-ND, 2-1544-ND, 2-1693-ND, 2-1839-ND, 2-1840-ND, 2-1841-ND, 2-1958-ND, 2-1959-ND, 2-2035-ND</p> <p>Dim: 11mm ID x 15.5mm OD x 14.3mm W, Closed End</p>	<p>For: Nippondenso 4.0kW, 5.0kW, 7.5kW, 8.0kW DD Starters</p> <p>Used On: Case IH, IHC, John Deere, Peterbilt, UPS Truck</p> <p>Unit Nos: Nippondenso 128000-492, 128000-533, 128000-591, 128000-597, 128000-606, 128000-607, 128000-608, 128000-702, 128000-717, 128000-723, 128000-724, 128000-725, 128000-726, 128000-751, 128000-752, 128000-753, 128000-754, 128000-757, 128000-765, 128000-969, 128000-980, 128000-982, 228000-003, 228000-004, 228000-005, 228000-007, 228000-008, 228000-009, 228000-010, 228000-136, 228000-138, 228000-139, 228000-140, 228000-236, 228000-237, 228000-469</p> <p>WAI Ref. Nos: 2-1762-ND, 2-1763-ND, 2-1961-ND, 2-2043-ND</p> <p>Dim: 17mm ID x 24mm OD x 20mm W, Closed End</p>	<p>For: Valeo PMGR Starters</p> <p>Used On: (2005-95) Saturn</p> <p>Unit Nos: Delco 21023232, 21023719; Valeo D6RA65, D6RA85, D6RA165, D6RA185</p> <p>Lester Nos: 17667</p> <p>WAI Ref. Nos: 2-1713-VA</p> <p>Dim: 10mm ID x 14mm OD x 13.8mm W, Closed End</p>



NEEDLE BEARING TO BUSHING REPLACEMENT CHART

Bearing No.	ID (mm)	OD (mm)	W (mm)	Bushing No.	Application	Locations
8-113	9.5	14.3	7.9	62-1301	Delco PG200, PG250 Series PMGR	Planetary Shaft
8-115	25.4	31.8	9.5	62-1903	Delco PG200, PG250 Series PMGR	Stationary Gear
8-118	11.0	16.0	12.7	62-1408	Delco 5MT, SD210, SD260 Series	D.E. Housing
8-201	12.0	16.0	10.0	62-2403	Bosch, Delco, Ford PMGR	D.E. Housing
8-203	6.0	10.0	8.0	62-2200	Bosch 108 Series, Ford PMGR	Planetary Gear
8-9106	10.0	14.0	10.0	62-91308	Bosch 108 Series PMGR	D.E. Housing

ARMATURES

WAI Manufactured Armatures - 100% New

- 100% Electrically Tested to Prevent Shorts and Electrical Failure
- 100% Precision Balanced to Run Smoothly and Quietly

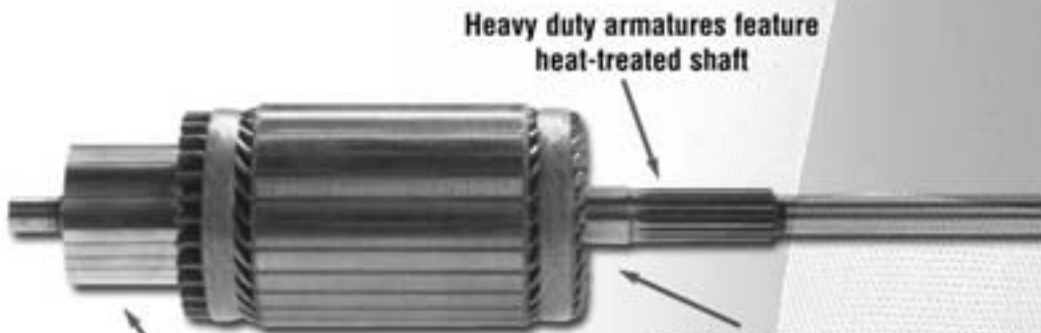
Splines & bearing surfaces are heat-treated

Commutators are staked & welded then machine-undercut & polished for positive electrical connection & long brush life



Shafts are CNC-machined & precision-ground for accurate dimensions and smooth finish

Gear-reduction armatures are metal-banded to secure the hairpins and keep them correctly located at high rpms



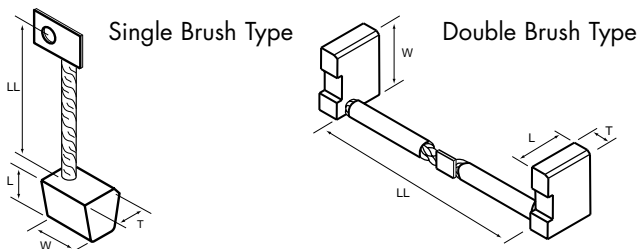
Heavy duty armatures feature heat-treated shaft

Heavy duty armatures for Delco feature welded steel core riserless commutator - same as OE

Machine-formed hairpins for an exact profile & high output

See Page 107 for Our Complete Line

STARTER BRUSH DIMENSION CHART



T (mm)	W (mm)	L (mm)	LL (mm)	Electrical System	Volt	Brush Type	Insulated Lead	WAI No.	Note	
4.2	11.8	12.3	27	Mitsubishi	12	Sgl.	N	68-8321		
			60	Mitsubishi	12	Db.	N	68-8322		
4.5	10	17	30	Mitsubishi	12	Sgl.	Y	68-8319		
	11	15	24	Hitachi	12	Sgl.	Y	68-8132		
			67	Hitachi	12	Db.	Y	68-8131		
	12	15	30	Mando, Mitsubishi	12	Sgl.	Y	68-8315-1	15mm L, Premium	
			56	Mando, Mitsubishi	12	Db.	Y	68-8312-1	15mm L, Premium	
		17	30	Mando, Mitsubishi	12	Sgl.	Y	68-8315-3	17mm L, Best Value	
			35	Mando, Mitsubishi	12	Sgl.	Y	68-8315	17mm L, Premium	
			45	Mitsubishi	12	Db.	Y	68-8313	Premium	
			56	Mando, Mitsubishi	12	Db.	Y	68-8312	17mm L, Premium	
		14	14.5	50	Hitachi	12	Db.	Y	68-8137	
				15	33	Hitachi	12	Sgl.	N	68-8129-1
	56		Hitachi		12	Db.	Y	68-8129-4	15mm L, Best Value	
	16.5		32	Hitachi	12	Sgl.	N	68-8128-1	15mm L	
			56	Hitachi	12	Db.	Y	68-8136-1	15mm L	
			32	Hitachi	12	Sgl.	N	68-8129	16.5mm L, Premium	
			56	Hitachi	12	Db.	Y	68-8128	16.5mm L	
	16		15	12.5	27	Delco	12	Sgl.	N	68-148
		14	64	64	Ford	12	Db.	N	68-217	Premium
									68-217-3	Best Value
									68-218	Premium
68-218-3									Best Value	
68-219									Premium	
68-219-1									Premium, OE Supplier	
68-219-3									Best Value	
68-220									Premium	
68-220-1									Premium, OE Supplier	
68-220-3									Best Value	
16		63	63	Ford	12	Db.	N	68-221	Premium	
								68-221-3	Best Value	
								68-222	Premium	
								68-222-3	Best Value	
16.5		15	56	Mitsuba	12	Db.	Y	68-8500		
								68-8501	Without Clip	
18		17	17	34	Mitsubishi	12	Sgl.	Y	68-8314	
	49			Mitsubishi	12	Db.	Y	68-8314-3		
	94			Mitsubishi	12	Db.	Y	68-8311	Premium	
							68-8317	Best Value		
							68-8317-3	Best Value		

STARTER - BRUSHES (68-)

T (mm)	W (mm)	L (mm)	LL (mm)	Electrical System	Volt	Brush Type	Insulated Lead	WAI No.	Note			
5	12	11.5	23	Bosch	12	Sgl.	N	68-9145	Without Clip			
							68-9143	Premium				
			58	Bosch	12	Dbl.	N	68-9143-3	Best Value			
							68-9144	Premium				
							68-9144-3	Best Value				
	15.5	12	-	Bosch	12	Dbl.	N	68-9139				
							68-9129	Without Clip				
			25	Bosch	12	Sgl.	N	68-9129-1	With Clip			
							68-9130	Without Clip				
							68-9130-1	With Clip				
							68-9140	Premium				
	16	11	28	Delco	12	Sgl.	N	68-140				
							68-9140-3	Best Value				
	18	13.5	28	Delco	12	Sgl.	N	68-150				
			75.5	Delco	12	Dbl.	Y	68-149				
		15	58	Delco	12	Sgl.	Y	68-146	Premium			
							68-146-3	Best Value				
			70	Delco	12	Dbl.	Y	68-147				
					68-144	Premium						
					68-144-3	Best Value						
5.5	15	14.5	25	Delco	12	Sgl.	N	68-139	4-required			
	18	13	-	Bosch	12	Dbl.	N	68-9141				
							68-9131	Without Clip, Premium				
							68-9131-3	Best Value				
							68-9132	Premium				
							68-9132-3	Best Value				
	6	8	10	30	Nippondenso	12	Sgl.	N	68-8222	With Clip, Premium		
							68-8222-3	With Clip, Best Value				
13		13.5	12	Ford	12	Sgl.	N	68-227				
							68-8220	Without Clip, Premium				
							68-8220-1	With Clip, Premium				
14		13.5	28	Mitsuba	12	Sgl.	Y	68-8220-3	Without Clip, Best Value			
								68-8900	Premium			
							68-8900-3	Best Value				
19		16	28	Delco	12	Sgl.	N	68-142	Without Clip, Premium			
												68-142-1
											68-142-3	Without Clip, Best Value
6.3	6.3	12.5	51	Prestolite	-	Sgl.	N	68-635				
6.5 (cont.)	10	16.5	30	Mando, Mitsubishi	12	Sgl.	Y	68-8305	Premium			
								68-8305-3	Best Value			
				Mando, Mitsubishi, Denso	12	Sgl.	N	68-8209				
	11	15	33	Hitachi	12	Sgl.	Y	68-8108	Premium			
							68-8108-3	Best Value				
			42	Hitachi	12	Sgl.	N	68-8110	Premium			
							68-8110-3	Best Value				
			97	Hitachi	12	Dbl.	Y	68-8126				
							68-8124					
							68-8125	Premium				
					68-8125-3	Best Value						
					68-8127							
					68-8133							
	12	16.5	38	Mitsubishi	12	Sgl.	Y	68-8300	Premium			
												68-8300-3
	19	38	Nippondenso	12	Sgl.	N	68-8203					
14.5	14.5	29	Delco	12	Sgl.	N	68-137	Premium				

STARTER - BRUSHES

STARTER - BRUSHES (68-)

T (mm)	W (mm)	L (mm)	LL (mm)	Electrical System	Volt	Brush Type	Insulated Lead	WAI No.	Note					
6.5 (cont.)	14.5	14.5	29	Delco	12	Sgl.	N	68-137-3	Best Value					
			68-138	With Clip, Premium										
			68-138-1	Without Clip, Premium										
			68-138-3	With Clip, Best Value										
			68-138-4	Without Clip, Best Value										
	16	12.5	-	Prestolite	12	Sgl.	Y	68-6800	Kit					
		13.5	-	Delco	12	Sgl.	-	68-101						
	19	12.5	-	Delco	6	Sgl.	-	68-121						
		15.5	-	Delco	6	Sgl.	-	68-119						
		68-120												
	21.5	13	65	Delco	12	Dbl.	Y	68-143	Premium					
								68-143-3	Best Value					
			75	Delco	12	Dbl.	N	68-136	Premium					
								68-136-3	Best Value					
						Dbl.	Y	68-135						
7	10	15.5	33	Bosch	12	Sgl.	N	68-9128						
		18	28	Bosch	12	Sgl.	N	68-9107						
	11	18.5	36	Hitachi	12	Sgl.	N	68-8111						
							Y	68-8109						
	12	16	14.5	36	Nippondenso	12	Sgl.	N	68-8202					
			30	Mitsubishi	12	Sgl.	Y	68-8318	With Clip					
			38	Mitsubishi, Nippondenso	12	Sgl.	Y	68-8206	Premium					
								68-8206-3	Best Value					
								22	Nippondenso	12	Sgl.	N	68-8214	
								29	Nippondenso	12	Sgl.	Y	68-8215	Without Clip, Premium
	13	15.5	28	Mitsubishi	12	Sgl.	Y	68-8215-3	Without Clip, Best Value					
								68-8310						
								68-8100						
	14	46	Hitachi	12	Sgl.	Sgl.	N	68-8101	Premium					
							Y	68-8101-3	Best Value					
	15	17.5	48	Paris Rhone / Valeo	12	Sgl.	N	68-9419						
	15.5	22	23	Bosch	6-12	Sgl.	N	68-9103						
	16	14	-	Nippondenso	12	Sgl.	-	68-8201	Shuntless					
								68-8210	Without Clip, Premium					
								68-8210-1	With Clip, Premium					
								68-8210-3	Without Clip, Best Value					
								68-8219	With Clip					
								68-8219-1	Without Clip					
								68-8200	Without Clip, Premium					
								68-8200-3	Without Clip, Best Value					
								68-8211	With Clip					
								68-8212	With Clip					
								68-9127	With Clip					
								25	Bosch	12	Sgl.	N	68-9127	With Clip
	30	Hitachi	12	Sgl.	N	68-8107								
18	34	Bosch	12	Sgl.	N	68-9109								
	39	Bosch	6-12	Sgl.	Y	68-9108								
18	17.5	34	Bosch	12	Sgl.	N	68-9126	With Clip						
	18.5	37	Mitsubishi	12	Sgl.	Y	68-8306	Premium						
							68-8306-3	Best Value						
19	15	36	Hitachi	12	Sgl.	Y	68-8119							
		51	Hitachi	12	Sgl.	Y	68-8118							
		68-617												
25	15.5	28	Nikko	24	Sgl.	N	68-8404							
		29	Nippondenso	12	Sgl.	Y	68-8226	Premium						

STARTER - BRUSHES (68-)

T	W	L	LL	Electrical	Volt	Brush	Insulated	WAI	Note						
(mm)	(mm)	(mm)	(mm)	System		Type	Lead	No.							
7	25	15.5	29	Nippondenso	12	Sgl.	Y	68-8226-3	Best Value						
7.5	19	22	-	Prestolite	-	Dbl.	Y	82-6150	2-required						
								82-6151	2-required						
	23.5	19	38	Mitsubishi	12	Sgl.	Y	68-8303							
								17.5	41	Bosch	24	Sgl.	Y	68-9124	
	25	18.5	35	Delco, Nikko	12	Sgl.	Y							68-8400	M4 x 0.7 Term. Hole, Premium
								68-8400-3	M4 x 0.7 Term. Hole, Best Value						
					24	Sgl.	N	68-8403	M4 x 0.7 Term. Hole						
								12	Sgl.	Y	68-8401	4.5mm Unthd. Term., Premium			
	68-8401-3	4.5mm Unthd. Term., Best Value													
	24	Sgl.	Y	68-8402	4.5mm Unthreaded Term.										
				23	41	Bosch	24	Sgl.	Y	68-9117					
	Marelli	24	Sgl.							Y	68-9303				
8	14	21	35	Hitachi	12	Sgl.	N	68-8112							
			38	Hitachi	12	Sgl.	Y	68-8113							
			21.5	38	Hitachi	12	Sgl.	Y	68-8103						
	15.5	10	49	Ford	12	Sgl.	N	68-200	10-32 Term. Hole						
			152	Ford	12	Dbl.	Y	68-202	With Clip						
	19	18.5	29	Iskra	12	Sgl.	N	68-95800	Kit						
								12.5	32	Delco	6	Sgl.	N	68-128	
														15.5	-
								-	Delco	6	Sgl.	-	68-118		
													-	Delco	12
								19	25	Delco	12	Sgl.			
													24-64	Sgl.	N
								68-116-3	Best Value						
	22	88	Lucas	12	Sgl.	Y	68-9209								
	22.5	65	Lucas	12	Sgl.	Y	68-9207								
	22	22.5	35	Bosch	12	Sgl.	Y	68-9134							
	24	18	38	Hitachi, Mitsubishi	12	Sgl.	N	68-8309	Premium						
								68-8309-3	Best Value						
								68-8308	Without Clip, Premium						
							Y	68-8308-1	With Clip, Premium						
								68-8308-3	Without Clip, Best Value						
								68-83800	Kit, With Clip, Premium						
				Mitsubishi	12	Sgl.	Y	68-83800-3	Kit, With Clip, Best Value						
								68-8225	Premium						
25				14.5	28	Nippondenso	12	Sgl.	N	68-8225-3	Best Value				
										40	Nippondenso	12	Sgl.	Y	68-8208
				68-8208-1	With Clip										
				18	43	Hitachi	24	Sgl.	Y	68-8135-1	Without Clip				
	68-8207	Without Clip, Premium													
	21	40	Nippondenso	12-24	Sgl.	Y	68-8207-1	With Clip, Premium							
							68-8207-3	Without Clip, Best Value							
	21.5	34	Nikko	24	Sgl.	Y	68-8408								
							44	Nikko	24	Sgl.	Y	68-8409			
	38	19.5	29	Delco	12	Sgl.	N	68-115							
24-32								Sgl.	N	68-117	Premium				
										68-117-3	Best Value				
8.5 (cont.)	17.5	10	51	Prestolite	12	Sgl.	N	68-620							
			152	Chrysler	12	Dbl.	Y	68-301	10-32 Term. Hole						
								68-301-1	Unthreaded Term. Hole						
			161	Chrysler	12	Dbl.	Y	68-300	8-32 Term. Hole						
			163	Chrysler	12	Dbl.	Y	68-306							
			164	Prestolite	12	Dbl.	Y	68-621							

STARTER - BRUSHES

STARTER - BRUSHES (68-)

T (mm)	W (mm)	L (mm)	LL (mm)	Electrical System	Volt	Brush Type	Insulated Lead	WAI No.	Note	
8.5	17.5	10	170	Chrysler	12	Dbl.	Y	68-310	8-32 Term. Hole	
			36	Ford	12	Sgl.	N	68-206	10-32 Term. Hole	
			44	Ford	12	Sgl.	N	68-208	Unthreaded Term. Hole	
							68-208-1	6-32 Term. Hole		
							Y	68-216-1	With Clip	
			45	Ford	12	Sgl.	N	68-215		
			46	Ford	12	Sgl.	N	68-203	Unthreaded Term. Hole	
			50	Ford	12	Sgl.	N	68-204	10-32 Term. Hole, Premium	
								68-204-3	10-32 Term. Hole, Best Value	
			53	Prestolite	6-12	Sgl.	N	68-608		
			55	Prestolite	6	Sgl.	N	68-607		
			58	Ford	6-12	Sgl.	Y	68-211		
			74	Prestolite	6	Sgl.	Y	68-605		
			101	Ford	12	Sgl.	Y	68-212	10-32 Term. Hole	
	102	Ford, Prestolite	6	Sgl.	Y	68-606				
	151	Ford	12	Dbl.	N	68-209	With Clip			
						68-209-1	Without Clip			
	172	Ford	12	Dbl.	Y	68-205	With Clip			
						68-205-1	Without Clip			
	216	Prestolite	6-12	Dbl.	Y	68-615				
12	147	Ford	12	Dbl.	N	68-207	With Clip			
						68-207-1	Without Clip			
18	31	Ford	12	Sgl.	Y	68-224				
						33	Ford	12	Sgl.	N
19.5	13.5	97	Lucas	12	Sgl.	Y	68-9202			
							22	53	Electroprecizia (Romanian)	12
8.7	17.6	16.7	-	Prestolite	-	-	-	68-6802		
9	11	18	45	Valeo	12	Sgl.	N	68-9433	Premium	
								68-9433-3	Best Value	
			55	Valeo	12	Sgl.	N	68-9432	Premium	
								68-9432-3	Best Value	
	11.5	13.5	116	Lucas	12	Dbl.	Y	68-9204		
			141	Lucas	12	Dbl.	Y	68-9203		
	12.5	24	33	Bosch	12	Sgl.	N	68-9101		
	15.5	25.5	32	Bosch	12	Sgl.	N	68-9105		
	16	17	46	Bosch	12	Sgl.	Y	68-9110	With Flag Terminal, Premium	
								68-9110-1	With Flag Terminal, Best Value	
								68-9111	Without Flag Terminal	
	23	38	Marelli	12	Sgl.	Y	68-9307			
	17.5	10	163	Chrysler	12	Dbl.	Y	68-311		
	19.5	21	42	Hitachi	12	Sgl.	N	68-8120		
	20	23.5	50	Nikko	24	Sgl.	N	68-8407		
								24.5	66	Lucas
29.5	22.5	44	Nikko	24	Sgl.	Y	68-8410	Premium		
							68-8410-3	Best Value		
23	45	Mitsubishi	24	Sgl.	Y	68-8320				
30	21.5	40	Nippondenso	12	Sgl.	N	68-8204	Premium		
							68-8204-3	Best Value		
	24	38	Nippondenso	12-24	Sgl.	Y	68-8224	Premium		
							68-8224-3	Best Value		
9.5 (cont.)	17.5	12.5	142	Lucas	12	Dbl.	Y	68-9200		
			39	Delco	6	Sgl.	N	68-122		
			19	-	Delco	12	Sgl.	-	68-104	Offset Hole, Concave Surface
									68-105	Offset Hole, Flat Surface
68-106	Centered Hole, Concave Surface									

STARTER - BRUSHES (68-)

T (mm)	W (mm)	L (mm)	LL (mm)	Electrical System	Volt	Brush Type	Insulated Lead	WAI No.	Note	
9.5	19	19	-	Delco	12	Sgl.	-	68-107	Centered Hole, Flat Surface	
					24	Sgl.	-	68-123	Offset Hole, Concave Surface	
					24-32	Sgl.	-	68-126	Centered Hole	
					24-32	Sgl.	-	68-124	Offset Hole, Flat Surface	
			12	Sgl.	N	68-108	Premium			
						68-108-3	Best Value			
			24-32	Sgl.	N	68-110	Premium			
						68-110-3	Best Value			
			38	Prestolite	12-24	Sgl.	N	68-603		
			47	Prestolite	24	Sgl.	N	68-601		
	199	Prestolite	24	Db.	Y	68-602				
	204	Prestolite	12-24	Db.	Y	68-604				
	20.5	20.5	58	Leece-Neville	12-32	Sgl.	Y	68-500		
		21.5	-	Delco	12	Sgl.	-	68-127		
	28.5	24	33	Delco	12	Sgl.	N	68-129	Premium	
								68-129-3	Best Value	
					24	Sgl.	N	68-130	Premium	
								68-130-3	Best Value	
	32	22.5	40	Delco	12-24	Sgl.	Y	68-152		
	38	19.5	29	Delco	12	Sgl.	N	68-109	Premium	
								68-109-3	Best Value	
24-32					Sgl.	N	68-111	Premium		
							68-111-3	Best Value		
10	15	10.5	40	Paris Rhone / Valeo	12	Sgl.	Y	68-9414		
			125	Paris Rhone / Valeo	12	Db.	Y	68-9413		
	20	24	50	Nikko	24	Sgl.	Y	68-8405		
								68-8406		
	22	19.5	34	Bosch	12	Sgl.	Y	68-9138	M4 x 0.7 Term. Hole	
								22.5	38	Bosch
	25	15	17	38	Bosch	12	Sgl.	Y	68-9147-3	
				47	Bosch	12	Sgl.	Y	68-9146	
		44	Bosch	12	Sgl.	Y	68-9113	Premium		
							68-9113-3	Best Value		
		52	Bosch	12	Sgl.	Y	68-9142			
		22	65	Hitachi	12	Sgl.	Y	68-8134		
	23	45	Bosch	12	Sgl.	Y	68-9116	Premium		
				68-9116-3	Best Value					
	30	20	20	29	Nippondenso	12	Sgl.	N	68-8227	
							68-8216	Premium		
32		Nippondenso	12	Sgl.	N	68-8216-3	Best Value			
						68-8217	Premium			
						68-8217-3	Best Value			
36	27	48	Bosch	24	Sgl.	Y	68-9135			
40	25	36	Nippondenso	12-24	Sgl.	Y	68-8223			
10.5	36.5	23.5	31	Delco	12	Sgl.	N	68-112	Premium	
								68-112-3	Best Value	
					24	Sgl.	N	68-113	Premium	
								68-113-3	Best Value	
11.5	15	13	58	Ducellier / Valeo	12	Sgl.	Y	68-9403	With Clip	
	35.5	26.5	47	Bosch	24	Sgl.	Y	68-9136		
12	12.5	15	35	Paris Rhone / Valeo	12	Sgl.	N	68-9412		
	36	27	44	Bosch	24	Sgl.	Y	68-9118		

STARTER - BRUSHES

BOSCH



68-9101
Brush
12 Volt

For: Bosch 354 Series DD Starters
Used On: Deutz, Thermo King
Replaces: Bosch 2-004-320-006; 1-007-014-100 (set#); Ref# B-88
Unit Nos: Bosch 0-001-354-016, -031, -079, -080, -082, -085, -091, -094, -095, -100, -103, -106, -108, -109, -113
Dim: 9mm T x 12.5mm W x 24mm L x 33mm LL



68-9103
Brush
6-12 Volt

For: Bosch DD Starters
Used On: Mercedes, Porsche, Volvo
Replaces: Bosch 1-004-320-059; 1-107-014-110 (set#); Ref# B-84
Unit Nos: Bosch 0-001-203-009, 0-001-203-010, 0-001-203-019, 0-001-205-003, 0-001-205-017, 0-001-304-002, 0-001-304-012, 0-001-304-013, 0-001-304-023, 0-001-305-001, 0-001-305-008, 0-001-305-016
Lester Nos: 16360
WAI Ref. Nos: 2-1285-BO
Dim: 7mm T x 15.5mm W x 22mm L x 23mm LL



68-9105
Brush
12 Volt

For: Bosch 362 Series DD Starters
Used On: Industrial Applications, Mercedes (Diesel)
Replaces: Bosch 2-004-320-124; Ref# B-146
Unit Nos: Bosch 0-001-357-002; 0-001-362-001, -002, -003, -004, -005, -006, -007, -008, -011, -012, -013, -014, -015, -016, -017, -019, -021, -022, -023, -024, -025, -027, -028, -029, -030, -032, -033, -044
Lester Nos: 16445, 16615, 16715, 16754
WAI Ref. Nos: 2-1270-BO, 2-1294-BO, 2-1905-BO
Dim: 9mm T x 15.5mm W x 25.5mm L x 32mm LL
Features:

- Best Value



68-9107
Brush
12 Volt

For: Bosch DD Starters
Used On: (1993-67) Alfa Romeo, Audi, Chrysler, Dodge, Fiat, Ford, Mercury, Opel, Peugeot, Plymouth, Porsche, VW
Replaces: Ref# B-134
Lester Nos: 16300, 16401, 16410, 16443, 16446, 16450, 16530, 16532, 16534, 16546, 16547, 16548, 16595, 16619, 16722, 16727, 16747, 16950, 16958, 17025, 17065, 17066, 17121, 17122, 17162
Dim: 7mm T x 10mm W x 18mm L x 28mm LL



68-9108
Brush
6-12 Volt

For: Bosch DD Starters
Used On: Alfa Romeo, Audi, BMW, Claas, Deutz, Fiat, KHD, Lancia, Massey Ferguson, Mercedes, Mercury, Peugeot, Porsche, Saab, VW, Volvo
Replaces: Bosch 1-004-320-069, -082; Ref# B-105
Lester Nos: 16257, 16299, 16300, 16318, 16332, 16353, 16360, 16362, 16367, 16405, 16412, 16414, 16426, 16446, 16450, 16462, 16532, 16537, 16538, 16539, 16541, 16544, 16550, 16551, 16556, 16557, 16609, 16616, 16621, 16622, 16683, 16781, 16783, 16954, 17031
Dim: 7mm T x 16mm W x 18mm L x 39mm LL
Note: For uninsulated version use 68-9109 brush



68-9109
Brush
12 Volt

For: Bosch DD Starters
Used On: (1989-70) BMW, Mercedes, Opel, Porsche
Replaces: Bosch 1-004-320-063, 1-004-320-908, 2-004-320-154; 1-007-014-117, 1-007-014-134 (set#); Ref# B-104
Lester Nos: 16299, 16332, 16443, 16446, 16450, 16543, 16544, 16617, 17043
WAI Ref. Nos: 2-1258-BO, 2-1264-BO, 2-1271-BO, 2-1272-BO, 2-1273-BO, 2-1275-BO, 2-1312-BO, 2-1340-BO, 2-1427-BO
Dim: 7mm T x 16mm W x 18mm L x 34mm LL
Note: For insulated version use 68-9108 brush

STARTER - BRUSHES (68-)

BOSCH (cont'd.)



68-9110
Brush
12 Volt

For: Bosch 362, 366 Series DD Starters
Used On: (1987-82) Peugeot, Volvo (Diesel); Deutz, Ditch Witch, Ingersoll-Rand

Replaces: Bosch 2-004-320-296, 2-004-320-297; 2-007-014-068 (set#)

Unit Nos: Bosch 0-001-354-092, 0-001-362-020, 0-001-362-042, 0-001-362-046, 0-001-362-048, 0-001-362-081, 0-001-362-083, 0-001-362-085, 0-001-362-090, 0-001-362-093, 0-001-362-096, 0-001-362-322, 0-001-362-700, 0-001-362-701, 0-001-366-010, 0-001-366-018, 0-001-366-020

Lester Nos: 16752, 16753, 16949, 17318

WAI Ref. Nos: 2-1287-BO, 2-1296-BO, 2-1925-BO, 2-1976-BO

Dim: 9mm T x 16mm W x 17mm L x 46mm LL

Note: Similar to 68-9111 except:
68-9110: w/ flag terminal
68-9111: wo/ flag terminal

Features:

- Premium Quality

68-9110-1
Brush
12 Volt

Same as 68-9110 except...

Features:

- Best Value



68-9111
Brush
12 Volt

For: Bosch 362 Series DD Starters
Used On: Deutz, John Deere, Mercedes (Diesel)
(cont'd.)

(cont'd.)

Replaces: Bosch 2-004-320-038; 2-007-014-065 (set#)

Unit Nos: Bosch 0-001-362-304, 0-001-362-305, 0-001-362-310, 0-001-362-312, 0-001-362-314, 0-001-362-316, 0-001-362-321, 0-001-362-324, 0-001-362-600, 0-001-362-605

Lester Nos: 16957, 16999

WAI Ref. Nos: 2-1270-BO, 2-1277-BO, 2-1803-BO, 2-1908-BO, 2-2042-BO

Dim: 9mm T x 16mm W x 17mm L x 46mm LL

Note: Similar to 68-9110 except:
68-9110: w/ flag terminal
68-9111: wo/ flag terminal



68-9113
Brush - Ground
12 Volt

For: Bosch 367 Series DD Starters

Used On: Deutz, Iveco, Magirus

Replaces: Bosch 2-004-320-101; 2-007-014-062 (set#)

Unit Nos: Bosch 0-001-367-001, -002, -003, -004, -005, -006, -007, -008, -009, -010, -011, -012, -013, -014, -015, -016, -018, -021, -022, -024, -025, -026, -027, -028, -029, -030, -032, -033, -034, -036, -039, -042, -044, -045, -046, -048, -050, -055, -056, -058, -061, -062, -063

Lester Nos: 16565, 16567, 17074, 17092, 17106, 17113, 17136, 17184, 17228, 17308, 18029, 18224, 18229, 18237

Dim: 10mm T x 25mm W x 17mm L x 44mm LL

Note: Used w/ 68-9142 brush

Features:

- Premium Quality

68-9113-3
Brush - Ground
12 Volt

Same as 68-9113 except...

Features:

- Best Value



68-9116
Brush
12 Volt

For: Bosch 358, 359, 365 Series; Marelli DD Starters

Used On: Deutz, Fiat-Allis, Iveco, Mack, Magirus, Oliver

Replaces: Bosch 2-004-320-220; 2-007-014-052 (set#); Ref# B-B052

Unit Nos: Bosch 0-001-358-201, -202; 0-001-359-001, -003, -006, -007, -008, -010, -012, -013, -014, -016, -019, -020, -021, -023, -024, -025, -026, -027, -030, -031, -032, -033, -034, -035, -037, -038, -041, -043, -044, -045, -046, -051, -053, -055, -056, -057, -058, -059, -060, -062, -063, -064, -066, -067, -068, -069, -070, -071, -072, -073, -074, -075, -076, -081, -082, -083, -084, -085, -086, -087, -088, -089, -090, -091, -092, -094, -095, -096, -097, -098, -099, -100, -101, -102, -104, -106, -107, -108, -109, -110, -111, -112, -113, -114, -117, -118, -119, -122, -124; 0-001-365-004, -006, -007, -008; Marelli 63216802, 63216808, 63216825, 63216826, 63216827, 63216833, 63216873, 63216874, 63216876, 63216898; MT68AB, AC, B, BA, H, LA, LB, MA

Dim: 10mm T x 25mm W x 23mm L x 45mm LL

Features:

- Premium Quality

68-9116-3
Brush
12 Volt

Same as 68-9116 except...

Features:

- Best Value



68-9117
Brush
24 Volt

For: Bosch 360, 364 Series DD Starters
Used On: Deutz, Iveco, Magirus, Volvo White-GMC Truck

Replaces: Bosch 2-004-320-217; 2-007-014-049 (set#)

Unit Nos: Bosch 0-001-360-002, -004, -008, -009, -010, -012, -013, -015, -016, -017, -018, -019, -022, -023, -024, -025, -026, -027, -029, -030, -031, -032, -033, -034, -035, -036, -037, -038, -039, -040, -041, -043, -044, -045, -047, -049, -050, -053, -054, -055, -056, -057, -058, -060, -061, -063; 0-001-364-100, -101, -102, -103, -104, -105, -106, -108, -200, -201, -202, -203, -204, -205

Dim: 7.5mm T x 25mm W x 23mm L x 41mm LL



68-9118
Brush
24 Volt

For: Bosch 414, 416 Series DD Starters
Used On: Clark, KHD, MAN, Mercedes-Benz Truck, Volvo White-GMC

Replaces: Bosch 2-004-320-051, 2-004-320-255, 2-004-320-258; 1-007-014-105, 2-007-014-008, 2-007-014-048, 2-007-014-061 (set#); Ref# BS-60

Unit Nos: Bosch 0-001-410-015, -016, -019, -021, -022, -024, -029, -032, -034, -035, -037, -041, -043, -044, -045, -046, -049, -050, -052, -053, -058, -062, -063, -065, -067, -068, -069, -075, -077, -078, -081, -083, -087, -088, -090, -092, -094, -097, -098, -101, -102, -104, -106, -109, -111, -113, -115, -117; 0-001-411-001, -002, -004, -005, -006, -007, -009, -010, -012, -013, -014, -015, -016, -017, -019, -020, -021, -022, -024, -025, -026, -027, -028, -031, -032, -035, -036, -349; 0-001-414-001, -003, -008, -009, -010, -011, -013, -015, -016, -018, -019, -020, -022; 0-001-415-001, -002, -003, -006, -007, -008, -009, -010, -011, -013, -017, -019, -021, -022, -023, -024, -027; 0-001-416-059, 0-001-501-001

Dim: 12mm T x 36mm W x 27mm L x 44mm LL



68-9122
Brush
12 Volt

For: Bosch Brazilian DD Starters

Used On: Mercedes-Benz Truck

Replaces: Bosch 9-001-083-433 (set#)

Unit Nos: Bosch 9-000-083-027, 9-000-083-028, 9-000-083-031, 9-000-083-036

Dim: 10mm T x 22mm W x 22.5mm L x 38mm LL



68-9124
Brush
24 Volt

For: Bosch 368 Series DD Starters

Used On: Deutz, Iveco, Magirus, Volvo White-GMC Truck

Replaces: Bosch 2-004-320-103, 2-004-320-104; 2-007-014-063 (set#)

Unit Nos: Bosch 0-001-368-001, -002, -003, -005, -007, -009, -010, -011, -012, -013, -016, -017, -018, -019, -020, -021, -023, -024, -025, -026, -027, -028, -030, -034, -035, -036, -038, -040, -051, -055, -059, -063, -069, -071, -085, -086, -300, -301, -303, -307, -309

Dim: 7.5mm T x 25mm W x 17.5mm L x 41mm LL

Features:

- Best Value



68-9126
Brush
12 Volt

For: Bosch 218 Series PLGR Starters

Used On: (2001-84) BMW, Mercedes

Unit Nos: Bosch 0-001-218-004, -006, -009, -012, -018, -021, -027, -108, -110, -113, -119, -137, -138, -150, -156, -161, -162, -172, -173

Lester Nos: 17009, 17016, 17040, 17183, 17414

WAI Ref. Nos: 2-1262-BO, 2-1268-BO, 2-1276-BO, 2-1289-BO, 2-1540-BO, 2-1946-BO

Dim: 7mm T x 18mm W x 17.5mm L x 34mm LL

Note: With clip



68-9127
Brush
12 Volt

For: Bosch DD Starters

Used On: (1991-81) Audi, VW (Diesel)

Replaces: Bosch 1-004-320-910; 1-007-014-138 (set#)

Unit Nos: Bosch 0-001-208-710, 0-001-312-108, 0-001-312-109, 0-001-317-007, 0-001-317-008, 0-001-317-009, 0-001-317-010, 0-001-317-011, 0-001-317-012, 0-001-317-016, 0-001-317-017, 0-001-317-018, 0-001-317-019, 0-001-317-024

Lester Nos: 16408, 16556, 16623, 16726, 16951, 16959, 16961

WAI Ref. Nos: 2-1357-BO, 2-1358-BO, 2-1360-BO, 2-1361-BO, 2-1440-BO, 2-2017-BO

Dim: 7mm T x 16mm W x 15mm L x 25mm LL

Note: With clip

STARTER - BRUSHES (68-)

BOSCH (cont'd.)



68-9128
Brush
12 Volt

For: Bosch DD Starters
Used On: (1993-81) Audi, Peugeot, VW
Replaces: Bosch 1-004-320-101, 1-004-320-911; 1-007-014-137, 1-007-014-145 (set#)
Unit Nos: Bosch 0-001-208-507, 0-001-208-516, 0-001-208-709, 0-001-208-711, 0-001-208-712, 0-001-208-714, 0-001-211-500, 0-001-211-502, 0-001-211-504
Lester Nos: 16401, 16408, 17157, 17413
WAI Ref. Nos: 2-1300-BO, 2-1350-BO, 2-1360-BO, 2-1460-BO
Dim: 7mm T x 10mm W x 15.5mm L x 33mm LL



68-9129
Brush
12 Volt

For: Bosch 108 Series PMGR Starters
Used On: (2005-83) Alfa Romeo, Audi, BMW, Cadillac, Chrysler, Dodge, Eagle, Jeep, Land Rover, Mercedes, Merkur, Plymouth, Pontiac, Porsche, Renault, Saab, VW, Volvo
Replaces: Ref# F-54
Lester Nos: 16956, 16962, 16963, 16976, 16980, 17011, 17013, 17023, 17039, 17124, 17135, 17139, 17140, 17148, 17163, 17164, 17210, 17218, 17222, 17223, 17225, 17233, 17236, 17276, 17406, 17407, 17508, 17663, 17670, 17699, 17702, 17720, 17782
Dim: 5mm T x 15.5mm W x 12mm L x 25mm LL
Note: Without clip, used w/ 68-9130 brush



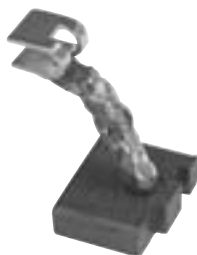
68-9129-1
Brush
12 Volt

Same as 68-9129 except...
Note: With clip



68-9130
Brush
12 Volt

For: Bosch 108 Series PMGR Starters
Used On: (2005-83) Alfa Romeo, Audi, BMW, Cadillac, Chrysler, Dodge, Eagle, Jeep, Land Rover, Mercedes, Merkur, Plymouth, Pontiac, Porsche, Renault, Saab, VW, Volvo
Replaces: Ref# B-156
Lester Nos: 16956, 16962, 16963, 16976, 16980, 17011, 17013, 17023, 17039, 17124, 17135, 17139, 17140, 17148, 17163, 17164, 17210, 17218, 17222, 17223, 17225, 17233, 17236, 17276, 17406, 17407, 17508, 17663, 17670, 17699, 17702, 17720, 17782
Dim: 5mm T x 15.5mm W x 12mm L x 25mm LL
Note: Without clip, used w/ 68-9129 brush



68-9130-1
Brush
12 Volt

Same as 68-9130 except...
Note: With clip



68-9131
Brush
12 Volt

For: Bosch 110 Series PMGR Starters
Used On: (2002-82) Audi, BMW, Chrysler, Dodge, Jaguar, Mercedes, Plymouth, Porsche, VW, Volvo, Winnebago
Replaces: Bosch 1-004-320-110
Lester Nos: 17030, 17038, 17047, 17068, 17082, 17149, 17150, 17158, 17226, 17227, 17231, 17237, 17279, 17280, 17281, 17282, 17408, 17410, 17417, 17497, 17698, 17724, 17725
Dim: 5.5mm T x 18mm W x 13mm L x 25mm LL
Note: Used w/ 68-9132 brush
Features:
 • Premium Quality

68-9131-3
Brush
12 Volt

Same as 68-9131 except...
Features:
 • Best Value



68-9132
Brush
12 Volt

For: Bosch 110 Series PMGR Starters
Used On: (2002-82) Audi, BMW, Chrysler, Dodge, Jaguar, Mercedes, Plymouth, Porsche, VW, Volvo, Winnebago
Replaces: Bosch 1-004-320-111
Lester Nos: 17030, 17038, 17047, 17068, 17082, 17149, 17150, 17158, 17226, 17227, 17231, 17237, 17279, 17280, 17281, 17282, 17408, 17410, 17417, 17497, 17698, 17724, 17725
Dim: 5.5mm T x 18mm W x 13mm L x 25mm LL
Note: Used w/ 68-9131 brush
Features:
 • Premium Quality

68-9132-3
Brush
12 Volt

Same as 68-9132 except...

Features:

- Best Value



68-9134
Brush
12 Volt

For: Bosch 358 Series DD Starters

Used On: Deutz

Replaces: Bosch 2-004-320-074, 2-004-320-080, 2-004-320-085;

2-007-014-006 (set#)

Unit Nos: Bosch 0-001-358-018, 0-001-358-038, 0-001-358-048, 0-001-358-049, 0-001-358-051

Dim: 8mm T x 22mm W x 22.5mm L x 35mm LL



68-9135
Brush
24 Volt

For: Bosch 420 Series DD Starters

Used On: Fiat-Allis, Volvo Penta

Replaces: Bosch 2-004-320-017; 2-007-014-067 (set#)

Unit Nos: Bosch 0-001-420-001, 0-001-420-002, 0-001-420-003, 0-001-420-004, 0-001-420-005, 0-001-420-006, 0-001-420-007, 0-001-420-008, 0-001-420-009, 0-001-420-010, 0-001-420-011, 0-001-420-012, 0-001-420-013, 0-001-420-014, 0-001-420-015

Dim: 10mm T x 36mm W x 27mm L x 48mm LL



68-9136
Brush
24 Volt

For: Bosch 416, 417 Series DD Starters

Used On: Clark, KHD, MAN Truck, Mercedes Truck, Volvo

Unit Nos: Bosch 0-001-416-001, -002, -003, -004, -005, -006, -009, -010, -013, -014, -017, -018, -022, -023, -024, -026, -028, -029, -030, -031, -032, -033, -035, -039, -040, -044, -045, -046, -047, -049, -050, -051, -053, -056, -058, -059;

0-001-417-001, -003, -004, -011, -012, -013, -014, -015, -016, -017, -018, -020, -021, -022, -023, -025, -026, -027, -028, -029, -030, -031, -033, -036, -037, -043, -044, -047, -050

Dim: 11.5mm T x 35.5mm W x 26.5mm L x 47mm LL



68-9138
Brush
12 Volt

For: Bosch Brazilian DD Starters

Used On: Mercedes-Benz Truck

Replaces: Bosch 9-001-083-592 (set#)

Unit Nos: Bosch 9-000-083-054, 9-000-083-058, 9-000-083-059, 9-000-083-071

Dim: 10mm T x 22mm W x 19.5mm L x 34mm LL

Note: With M4 x 0.7 threaded hole



68-9139
Brush - Ground
12 Volt

For: Bosch 108 Series PMGR Starters

Used On: (2005-83) Alfa Romeo, Audi, BMW, Chrysler, Dodge, Eagle, Jeep, Mercedes, Merkur, Plymouth, Pontiac, Renault, Saab, VW, Volvo

Lester Nos: 16956, 962, 963, 976, 980; 17011, 013, 039, 124, 135, 139, 140, 148, 163, 164, 210, 218, 222, 223, 225, 233, 236, 276, 406, 407, 508, 670, 699

Dim: 5mm T x 15.5mm W x 12mm L

Components:

68-9129 Brush
68-9130 Brush



68-9140
Brush - Field
12 Volt

For: Bosch 108 Series PMGR Starters

Used On: (2002-91) BMW, Cadillac, Chrysler, Dodge, Land Rover, Plymouth, Saab, Volvo

Unit Nos: Bosch 0-001-108-070, -103, -104, -105, -134, -135, -137, -144, -150, -153, -157, -169, -171, -184

Lester Nos: 16963, 17210, 17508, 17663, 17702, 17720, 17782

WAI Ref. Nos: 2-1386-BO, 2-1387-BO, 2-1394-BO, 2-1537-BO, 2-1765-BO, 2-1816-BO, 2-1977-BO, 2-1997-BO

Dim: 5mm T x 15.5mm W x 12mm L x 70mm LL, Motor Lead 43mm L

Components:

68-9129 Brush
68-9130 Brush

Features:

- Premium Quality

68-9140-3
Brush - Field
12 Volt

Same as 68-9140 except...

Features:

- Best Value

STARTER - BRUSHES (68-)

BOSCH (cont'd.)



68-9141
Brush - Ground
12 Volt

For: Bosch 110 Series PMGR Starters
Used On: (2002-82) Audi, BMW, Chrysler, Dodge, Jaguar, Mercedes, Plymouth, Porsche, VW, Winnebago
Lester Nos: 17030, 17038, 17047, 17068, 17082, 17149, 17150, 17158, 17226, 17227, 17237, 17280, 17281, 17282, 17410, 17698
WAI Ref. Nos: 2-1267-BO, 2-1279-BO, 2-1280-BO, 2-1281-BO, 2-1337-BO, 2-1347-BO, 2-1348-BO, 2-1349-BO, 2-1362-BO, 2-1365-BO, 2-1379-BO, 2-1392-BO, 2-1720-BO, 2-1794-BO, 2-1903-BO, 2-1919-BO
Dim: 5.5mm T x 18mm W x 13mm L
Components:
 68-9131 Brush
 68-9132 Brush



68-9142
Brush - Field
12 Volt

For: Bosch 367 Series DD Starters
Used On: Deutz, Iveco, Magirus
Replaces: Bosch 2-004-320-102; 2-007-014-062 (set#)
Unit Nos: Bosch 0-001-367-001, -002, -003, -004, -005, -006, -007, -008, -009, -010, -011, -012, -013, -014, -015, -016, -018, -021, -022, -024, -025, -026, -027, -028, -029, -030, -032, -033, -034, -036, -039, -042, -044, -045, -046, -048, -050, -055, -056, -058, -061, -062, -063
Dim: 10mm T x 25mm W x 17mm L x 52mm LL
Note: Used w/ 68-9113 brush



68-9143
Brush - Field
12 Volt

For: Bosch 107 Series, CW PMGR Starters
Used On: (2002-95) Audi, Chrysler, Dodge, Eagle, Mitsubishi, VW; Deutz
Unit Nos: Bosch 0-001-107-031, -032, -049, -054, -055, -062, -068; 6-004-AA0-003, 9-007-045-018
Lester Nos: 17560, 17563, 17572, 17736, 17751, 17790
WAI Ref. Nos: 2-1519-BO, 2-1681-BO, 2-1923-BO, 2-1937-BO, 2-1945-BO
Dim: 5mm T x 12mm W x 11.5mm L x 58mm LL
Components:
 68-9145 Brush
Features:
 • Premium Quality

68-9143-3
Brush - Field
12 Volt

Same as 68-9143 except...
Features:
 • Best Value



68-9144
Brush - Field
12 Volt

For: Bosch 107 Series, CCW PMGR Starters
Used On: (2001-91) VW
Unit Nos: Bosch 0-001-107-003, -004, -005, -007, -008, -020, -021, -022, -023, -024
Lester Nos: 17222, 17223, 17415, 17416, 18473
WAI Ref. Nos: 2-1373-BO, 2-1376-BO, 2-1532-BO, 2-1534-BO, 2-1921-BO
Dim: 5mm T x 12mm W x 11.5mm L x 58mm LL
Features:
 • Premium Quality

68-9144-3
Brush - Field
12 Volt

Same as 68-9144 except...
Features:
 • Best Value



68-9145
Brush - Field
12 Volt

For: Bosch 107, 114 Series PMGR Starters
Used On: (2005-87) Audi, Chrysler, Dodge, Eagle, Mitsubishi, Plymouth, VW
Unit Nos: Bosch 0-001-107-003, -004, -005, -006, -007, -008, -020, -021, -022, -023, -024, -031, -032, -049; 0-001-114-005, -006, -009, -010; 0-001-121-006, -008, -009, -010; 9-007-045-009, -018
Lester Nos: 17062, 17134, 17222, 17223, 17224, 17415, 17416, 17560, 17563, 17572, 17736, 17780, 17781
WAI Ref. Nos: 2-1372-BO, 2-1373-BO, 2-1376-BO, 2-1447-BO, 2-1519-BO, 2-1532-BO, 2-1534-BO, 2-1681-BO, 2-1921-BO, 2-1937-BO, 2-1975-BO, 2-2116-BO
Dim: 5mm T x 12mm W x 11.5mm L x 23mm LL
Note: Without clip



68-9146
Brush - Field
12 Volt

For: Bosch 367, 369 Series DD Starters
Used On: Caterpillar, Ford Tractor, IHC, JCB, John Deere, Mack Truck
Replaces: Bosch 2-004-320-135; 2-007-014-073 (set#)
Unit Nos: Bosch 0-001-367-023, -052, -069, -070, -072, -076, -300, -302; 0-001-369-001, -002, -003, -004, -005, -006, -007, -014
WAI Ref. Nos: 2-1889-BO, 2-1980-BO
Dim: 10mm T x 25mm W x 15mm L x 47mm LL
Note: Used w/ 68-9147 brush



68-9147-3
Brush - Ground
12 Volt

For: Bosch 367, 369 Series DD Starters
Used On: Caterpillar, Deutz, Ford New Holland, Ford Tractor, IHC, JCB, John Deere, Mack Truck

Replaces: Bosch 2-007-014-073 (set#)

Unit Nos: Bosch 0-001-367-023, -052, -069, -070, -072, -076, -300, -302;

0-001-369-001, -002, -003, -004, -005, -006, -007, -014, -015, -020, -023, -024

Lester Nos: 16558, 17095, 17106, 17257, 17307, 18024, 18026, 18259, 18372, 18387

WAI Ref. Nos: 2-1889-BO, 2-1980-BO, 2-2085-BO, 2-2216-BO, 2-2298-BO

Dim: 10mm T x 25mm W x 15mm L x 38mm LL

Note: Used w/ 68-9146 brush

Features:

- Best Value



68-301
Brush
12 Volt

For: Chrysler OSGR Starters

Replaces: Chrysler 2095145, 3755996; Ref# C-5T/10

Dim: 8.5mm T x 17.5mm W x 10mm L x 152mm LL

Note: With 10-32 threaded terminal.

Used w/ 68-300 brush

Features:

- Premium Quality

68-301-1
Brush
12 Volt

Same as 68-301 except...

Note: Same as 68-301 except w/ unthreaded terminal

Features:

- Premium Quality



68-310
Brush
12 Volt

For: Chrysler 'Tin Can' Type Starters w/ Externally Mtd. Solenoid

Replaces: Ref# C-6

Dim: 8.5mm T x 17.5mm W x 10mm L x 170mm LL

Note: With 8-32 threaded terminal



68-311
Brush
12 Volt

For: Chrysler 'Tin Can' Type Starters w/ Externally Mtd. Solenoid

Replaces: Ref# C-7

Dim: 9mm T x 17.5mm W x 10mm L x 163mm LL

CHRYSLER



68-300
Brush
12 Volt

For: Chrysler OSGR Starters

Replaces: Chrysler 2095137; Ref# C-4

Dim: 8.5mm T x 17.5mm W x 10mm L x 161mm LL

Note: With 8-32 threaded terminal.

Used w/ 68-301 brush



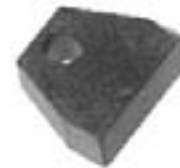
68-306
Brush
12 Volt

For: Chrysler 'Tin Can' Type Starters w/ Externally Mtd. Solenoid

Replaces: Ref# C-3

Dim: 8.5mm T x 17.5mm W x 10mm L x 163mm LL

DELCO



68-100
Brush
12 Volt

For: Delco 10MT, SD300 Series DD Starters

Replaces: Delco 1906945, 1906966, 1946400, D757, D760; Ref# R-60

Dim: 6.5mm T x 19mm W x 16mm L

STARTER - BRUSHES (68-)

DELCO (cont'd.)



68-101
Brush
12 Volt

For: Delco 5MT, SD200, SD250 Series DD Starters

Replaces: Delco 1893296, D762; Ref# R-116

Dim: 6.5mm T x 16mm W x 13.5mm L



68-102
Brush
12 Volt

For: Delco 22MT, 27MT Series DD Starters

Replaces: Delco 1852880, D764; Ref# R-120

Dim: 8mm T x 19mm W x 19mm L



68-104
Brush
12 Volt

For: Delco 30MT, 35MT Series DD Starters

Replaces: Delco 1906987, D757, D759, D761; Ref# R-87

Dim: 9.5mm T x 19mm W x 19mm L

Note: Offset hole, concave contact surface



68-105
Brush
12 Volt

For: Delco 30MT, 35MT Series DD Starters

Replaces: Delco 1946484, D761; Ref# R-87S

Dim: 9.5mm T x 19mm W x 19mm L

Note: Offset hole, flat contact surface



68-106
Brush
12 Volt

For: Delco 20MT, 25MT Series DD Starters

Replaces: Delco 1946434, 1976861; Ref# R-95

Dim: 9.5mm T x 19mm W x 19mm L

Note: Centered hole, concave contact surface



68-107
Brush
12 Volt

For: Delco 20MT, 25MT Series DD Starters

Replaces: Ref# R-95S

Dim: 9.5mm T x 19mm W x 19mm L

Note: Centered hole, flat contact surface



68-108
Brush
12 Volt

For: Delco 40MT Series DD Starters

Replaces: Delco 1906988; Ref# R-69

Dim: 9.5mm T x 19mm W x 19mm L x 25mm LL

Features:

- Premium Quality

68-108-3
Brush
12 Volt

Same as 68-108 except...

Features:

- Best Value



68-109
Brush
12 Volt

For: Delco 40MT Series DD Starters

Replaces: Delco 1852884; Ref# R-122

Dim: 9.5mm T x 38mm W x 19.5mm L x 29mm LL

Features:

- Premium Quality

68-109-3
Brush
12 Volt

Same as 68-109 except...

Features:

- Best Value



68-110
Brush
24-32 Volt

For: Delco 40MT Series DD Starters
Replaces: Delco 1906986, 1946407, 1946483; Ref# R-70
Dim: 9.5mm T x 19mm W x 19mm L x 25mm LL
Features:
 • Premium Quality

68-110-3
Brush
24-32 Volt

Same as 68-110 except...
Features:
 • Best Value



68-111
Brush
24-32 Volt

For: Delco 40MT Series DD Starters
Replaces: Delco 1852883; Ref# R-122H
Dim: 9.5mm T x 38mm W x 19.5mm L x 29mm LL
Features:
 • Premium Quality

68-111-3
Brush
24-32 Volt

Same as 68-111 except...
Features:
 • Best Value



68-112
Brush
12 Volt

For: Delco 42MT Series DD Starters
Replaces: Delco 1852892; Ref# R-134
Dim: 10.5mm T x 36.5mm W x 23.5mm L x 31mm LL
Features:
 • Premium Quality

68-112-3
Brush
12 Volt

Same as 68-112 except...
Features:
 • Best Value



68-113
Brush
24 Volt

For: Delco 42MT Series DD Starters
Replaces: Delco 1852894; Ref# R-134H
Dim: 10.5mm T x 36.5mm W x 23.5mm L x 31mm LL
Features:
 • Premium Quality

68-113-3
Brush
24 Volt

Same as 68-113 except...
Features:
 • Best Value



68-114
Brush
12 Volt

For: Delco 50MT Series DD Starters
Replaces: Delco 1852882; Ref# R-121
Dim: 8mm T x 19mm W x 19mm L x 25mm LL



68-115
Brush
12 Volt

For: Delco 50MT Series DD Starters
Replaces: Delco 1852887; Ref# R-124
Dim: 8mm T x 38mm W x 19.5mm L x 29mm LL



68-116
Brush
24-64 Volt

For: Delco 50MT Series DD Starters
Replaces: Delco 1906918, 1906989, 1946426, 1946487; Ref# R-92
Dim: 8mm T x 19mm W x 19mm L x 25mm LL
Features:
 • Premium Quality

68-116-3
Brush
24-64 Volt

Same as 68-116 except...
Features:
 • Best Value

STARTER - BRUSHES (68-)

DELCO (cont'd.)



68-117
Brush
24-32 Volt

For: Delco 50MT Series DD Starters
Replaces: Delco 1852888; Ref# R-124H
Dim: 8mm T x 38mm W x 19.5mm L x 29mm LL
Features:

- Premium Quality

68-117-3
Brush
24-32 Volt

Same as 68-117 except...
Features:

- Best Value



68-118
Brush
6 Volt

For: Delco Early DD Starters
Replaces: Delco 811447; Ref# R-36
Dim: 8mm T x 19mm W x 15.5mm L
Features:

- Premium Quality

68-118-1
Brush
6 Volt

Same as 68-118 except...
Features:

- Best Value



68-119
Brush
6 Volt

For: Delco Early DD Starters
Replaces: Delco 811553, 1857980, D752; Ref# R-37
Dim: 6.5mm T x 19mm W x 15.5mm L



68-120
Brush
6 Volt

For: Delco Early DD Starters
Replaces: Delco 828448, D753, D755; Ref# R-45
Dim: 6.5mm T x 19mm W x 15.5mm L



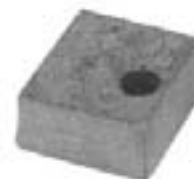
68-121
Brush
6 Volt

For: Delco Early DD Starters
Replaces: Delco 1881838, 1885058, 1906976, D754; Ref# R-52
Dim: 6.5mm T x 19mm W x 12.5mm L



68-122
Brush
6 Volt

For: Delco Early DD Starters
Replaces: Delco 1906902, 1906909, D756; Ref# R-55
Dim: 9.5mm T x 19mm W x 12.5mm L x 39mm LL



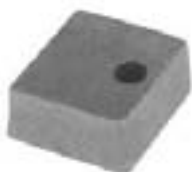
68-123
Brush
24 Volt

For: Delco 30MT, 35MT Series DD Starters
Replaces: Delco 1906963; Ref# R-66
Dim: 9.5mm T x 19mm W x 19mm L
Note: Offset hole, concave contact surface



68-124
Brush
24-32 Volt

For: Delco 30MT, 35MT Series DD Starters
Replaces: Delco 1906990; Ref# R-66S
Dim: 9.5mm T x 19mm W x 19mm L
Note: Offset hole, flat contact surface



68-126
Brush
24 Volt

For: Delco 22MT, 27MT Series DD Starters

Replaces: Delco 1852890, 1946445, D764; Ref# R-98

Dim: 9.5mm T x 19mm W x 19mm L

Note: Centered hole



68-127
Brush
12 Volt

For: Delco 35MT Series DD Starters

Replaces: Delco 1946491; Ref# R-102

Dim: 9.5mm T x 20.5mm W x 21.5mm L, w/ Flat Contact Surface



68-128
Brush
6 Volt

For: Delco Early DD Starters

Replaces: Delco 38367, D751; Ref# D-115

Dim: 8mm T x 19mm W x 12.5mm L x 32mm LL



68-129
Brush
12 Volt

For: Delco 37MT, 41MT Series DD Starters

Replaces: Delco 1852889; Ref# R-135
Dim: 9.5mm T x 28.5mm W x 24mm L x 33mm LL

Features:

- Premium Quality

68-129-3
Brush
12 Volt

Same as 68-129 except...

Features:

- Best Value



68-130
Brush
24 Volt

For: Delco 37MT, 41MT Series DD Starters

Replaces: Delco 1852893; Ref# R-135H

Dim: 9.5mm T x 28.5mm W x 24mm L x 33mm LL

Features:

- Premium Quality

68-130-3
Brush
24 Volt

Same as 68-130 except...

Features:

- Best Value



68-135
Brush - Field
12 Volt

For: Delco PG200, PG250 Series PMGR Starters

Replaces: Ref# R-137I

Dim: 6.5mm T x 21.5mm W x 13mm L x 75mm LL

Note: Used w/ 68-136 brush.

For late style w/ grommet & terminal flag use 68-143 brush.



68-136
Brush - Ground
12 Volt

For: Delco PG200, PG250 Series PMGR Starters

Replaces: Ref# R-137

Dim: 6.5mm T x 21.5mm W x 13mm L x 75mm LL

Note: Used w/ 68-135 brush

Features:

- Premium Quality

68-136-3
Brush - Ground
12 Volt

Same as 68-136 except...

Features:

- Best Value

STARTER - BRUSHES (68-)

DELCO (cont'd.)



68-137
Brush - Ground
12 Volt

For: Delco SD205, SD210, SD255, SD260 Series DD Starters

Replaces: Delco 10499509

Dim: 6.5mm T x 14.5mm W x 14.5mm L x 29mm LL

Note: Used w/ 68-138 brush

Features:

- Premium Quality

68-137-3
Brush - Ground
12 Volt

Same as 68-137 except...

Features:

- Best Value



68-138
Brush - Field
12 Volt

For: Delco SD205, SD210, SD255, SD260 Series DD Starters

Replaces: Delco 10499510

Dim: 6.5mm T x 14.5mm W x 14.5mm L x 165mm LL

Note: With Clip, used w/ 68-137 brush

Features:

- Premium Quality

68-138-3
Brush - Field
12 Volt

Same as 68-138 except...

Features:

- Best Value



68-138-1
Brush - Field
12 Volt

Same as 68-138 except...

Note: Without Clip

Features:

- Premium Quality

68-138-4
Brush - Field
12 Volt

Same as 68-138-1 except...

Features:

- Best Value



68-139
Brush
12 Volt

For: Delco PG100 Series PMGR Starters

Unit Nos: Delco 9000751, 9000758, 21020892, 21021648

Dim: 5.5mm T x 15mm W x 14.5mm L x 25mm LL

Note: 4-required



68-140
Brush
12 Volt

For: Delco PG150, PG150S, PG260F1, PG260G Series PMGR Starters

Replaces: Delco 10484034

(cont'd.)

(cont'd.)

Unit Nos: Delco 8000059; 9000785, 833, 839, 840, 847, 859, 871, 872, 873, 884, 910, 925, 964, 973, 973; 21020761, 21020893, 21021366

Lester Nos: 6401, 6433, 6445, 6481, 6484, 6485, 6489, 6723, 6724, 6791, 6792

Dim: 5mm T x 16mm W x 11mm L x 28mm LL

Note: Used in 69-113, 69-120 brush holder, 4-required



68-142
Brush
12 Volt

For: Delco PG260M Series PMGR Starters

Replaces: Delco 10499524

Unit Nos: Delco 9000786, 9000798, 9000804, 9000805, 9000806, 9000812, 9000819, 9000820, 9000821, 9000822, 9000827, 9000834, 9000835, 9000844, 9000850, 9000851, 9000853, 9000860, 9000861, 9000862, 9000863, 9000864, 9000865, 9000866, 9000867, 9000899, 9000900

Lester Nos: 6449, 6452, 6470, 6471, 6472, 6480, 6482, 6486, 6487

Dim: 6mm T x 19mm W x 16mm L x 28mm LL

Note: Without clip, used in 69-114 brush holder, 4-required

Features:

- Premium Quality

68-142-3
Brush
12 Volt

Same as 68-142 except...

Features:

- Best Value



68-142-1
Brush
12 Volt

Same as 68-142 except...

Note: With clip

Features:

- Premium Quality



68-143
Brush - Field
12 Volt

For: Delco PG200, PG250 Series PMGR Starters

Dim: 6.5mm T x 21.5mm W x 13mm L x 65mm LL

Note: With grommet & terminal flag.

Used w/ 68-136 brush.

Can be used to replace early style 68-135 brush.

Features:

- Premium Quality

68-143-3
Brush - Field
12 Volt

Same as 68-143 except...

Features:

- Best Value



68-144
Brush - Field
12 Volt

For: Delco PG260F2 Series PMGR Starters

Unit Nos: Delco 9000836, 9000857, 24506694

Lester Nos: 6484

Dim: 5mm T x 18mm W x 15mm L x 110mm LL

Note: Used in 69-117 Brush Holder Assy.

Similar to 68-147 except 68-147 has

70mm Lead Length.

Used w/ 68-146 ground brush.

Features:

- Premium Quality

68-144-3
Brush - Field
12 Volt

Same as 68-144 except...

Features:

- Best Value



68-146
Brush - Ground
12 Volt

For: Delco PG260F2 Series PMGR Starters

Unit Nos: Delco 9000836, 9000841, 9000854, 9000857, 9000858, 24506694

Lester Nos: 6484, 6485, 6489

Dim: 5mm T x 18mm W x 15mm L x 58mm LL

Note: Used in 69-117, 69-118 Brush Holder Assys.

Features:

- Premium Quality

68-146-3
Brush - Ground
12 Volt

Same as 68-146 except...

Features:

- Best Value



68-147
Brush - Field
12 Volt

For: Delco PG260F2 Series PMGR Starters

Unit Nos: Delco 9000841, 9000854, 9000858

Lester Nos: 6485, 6489

Dim: 5mm T x 18mm W x 15mm L x 70mm LL

Note: Used in 69-118 Brush Holder Assy.

Similar to 68-144 except 68-144 has

110mm Lead Length.

Used w/ 68-146 ground brush.



68-148
Brush
12 Volt

For: Delco PG260D Series PMGR Starters

Unit Nos: Delco 8000045, 8000058, 9000856, 9000868, 9000901, 9000908, 9000933, 9000939, 9000951, 9000977, 10455504

Lester Nos: 6491, 6493, 6494, 6749

Dim: 4.5mm T x 15mm W x 12.5mm L x 27mm LL

Note: Used in 69-119 Brush Holder

Assy.

STARTER - BRUSHES (68-)

DELCO (cont'd.)



68-149
Brush - Field
12 Volt

For: Delco PG260L Series PMGR Starters
Lester Nos: 6449, 6471, 6472, 6480, 6482, 6490, 6492
Dim: 5mm T x 18mm W x 13.5mm L x 75.5mm LL
Note: Used w/ 68-150 brush in 69-121 brush holder assy.



68-150
Brush - Ground

For: Delco PG260L Series PMGR Starters
Lester Nos: 6449, 6471, 6472, 6480, 6482, 6490, 6492
Dim: 5mm T x 18mm W x 13.5mm L x 28mm LL
Note: Used w/ 68-149 brush in 69-121 brush holder assy.



68-152
Brush - Field
12-24 Volt

For: Delco 39MT Series PLGR Starters
Dim: 9.5mm T x 32mm W x 22.5mm L x 40mm LL



68-8400
Brush - Ground
12 Volt

For: Delco 28MT Series OSGR Starters
Replaces: Delco 10456457
Unit Nos: Delco 1113269, 270, 271, 273, 274, 275, 276, 278, 279, 280, 281, 282, 283, 284, 285, 286, 287, 288, 289, 290, 292, 295, 296, 297; 10479604, 606, 607, 613, 614, 615, 617, 618, 619, 620, 628, 630
Lester Nos: 6468, 6469, 6573, 6577, 6585, 6595, 6601
Dim: 7.5mm T x 25mm W x 18.5mm L x 35mm LL
Note: With M4 x 0.7 threaded term. hole, used w/ 68-8401 brush
Features:
• Premium Quality

68-8400-3
Brush - Ground
12 Volt

Same as 68-8400 except...
Features:
• Best Value



68-8401
Brush - Field
12 Volt

For: Delco 28MT Series OSGR Starters
Replaces: Delco 10456458
Unit Nos: Delco 1113269, 270, 271, 273, 274, 275, 276, 278, 279, 280, 281, 282, 283, 284, 285, 286, 287, 288, 289, 290, 292, 295, 296, 297; 10479604, 606, 607, 613, 614, 615, 617, 618, 619, 620, 628, 630
Lester Nos: 6468, 6469, 6573, 6577, 6585, 6595, 6601
Dim: 7.5mm T x 25mm W x 18.5mm L x 45mm LL
Note: With 4.5mm unthreaded term. hole, used w/ 68-8400 brush
Features:
• Premium Quality

68-8401-3
Brush - Field
12 Volt

Same as 68-8401 except...
Features:
• Best Value



68-8402
Brush - Field
24 Volt

For: Delco 28MT Series OSGR Starters
Replaces: Delco 10457119
Unit Nos: Delco 1113272, 1113277, 1113291, 10479600, 10479605, 10479608, 10479611, 10479612, 10479616, 10479629
Dim: 7.5mm T x 25mm W x 18.5mm L x 45mm LL
Note: With 4.5mm unthreaded term. hole, used w/ 68-8403 brush



68-8403
Brush - Ground
24 Volt

For: Delco 28MT Series OSGR Starters
Replaces: Delco 10457120
Unit Nos: Delco 1113272, 1113277, 1113291, 10479600, 10479605, 10479608, 10479611, 10479612, 10479616, 10479629
Dim: 7.5mm T x 25mm W x 18.5mm L x 35mm LL
Note: With M4 x 0.7 threaded term. hole, used w/ 68-8402 brush

ELECTROPRECIZIA (ROMANIA)



68-9900 Brush 12 Volt

For: Electroprecizia DD Starters (Romanian)
Used On: Allis-Chalmers, Long Tractor
Replaces: Ref# B-141
Unit Nos: Electroprecizia DM2130, DM2134
WAI Ref. Nos: 2-1805-RO
Dim: 8.5mm T x 19.5mm W x 22mm L x 53mm LL

FORD



68-200 Brush - Ground 12 Volt

For: Ford 4" DD Starters
Replaces: Ford C2DF-11056-A, D12F-11056-A; Ref# F-35
Dim: 8mm T x 15.5mm W x 10mm L x 49mm LL
Note: With 10-32 threaded terminal, used w/ 68-202 brush and 76-2507 Contact spring w/ brush



68-202 Brush - Field 12 Volt

For: Ford 4" DD Starters
Replaces: Ford D12F-11055-BA; Ref# F-34U
Dim: 8mm T x 15.5mm W x 10mm L x 152mm LL
Note: With clip, used w/ 68-200 brush and 76-2507 Contact spring w/ brush



68-203 Brush - Ground 12 Volt

For: Ford 4-1/2" DD Starters
Replaces: Ford C0DF-11056-B; Ref# F-5
Dim: 8.5mm T x 19mm W x 10mm L x 46mm LL
Note: With unthreaded terminal, used w/ 68-204, 68-205 brushes



68-204 Brush - Ground 12 Volt

For: Ford 4-1/2" DD Starters
Replaces: Ford 18-11056; Ref# F-5T
Dim: 8.5mm T x 19mm W x 10mm L x 50mm LL
Note: With 10-32 threaded terminal, used w/ 68-203 & 68-205 brushes
Features:
 • Premium Quality

68-204-3 Brush - Ground 12 Volt

Same as 68-204 except...

Features:
 • Best Value



68-205 Brush - Field 12 Volt

For: Ford 4-1/2" DD Starters
Replaces: Ford C5AF-11055-A; Ref# F-40U
Dim: 8.5mm T x 19mm W x 10mm L x 172mm LL
Note: With clip, used w/ 68-203 & 68-204 brushes



68-205-1 Brush - Field 12 Volt

Same as 68-205 except...
Note: Without clip

STARTER - BRUSHES (68-)

FORD (cont'd.)



68-206
Brush - Ground
12 Volt

For: Ford 4" Mod I, 4-1/2" Mod DD Starters
Replaces: Ford D8AF-11056-AA; Ref# F-58
Dim: 8.5mm T x 19mm W x 10mm L x 36mm LL
Note: With 10-32 threaded terminal, used w/ 68-207 brush



68-207
Brush - Field
12 Volt

For: Ford 4" Mod I, 4-1/2" Mod DD Starters
Replaces: Ford D8AF-11055-BA; Ref# F-59U
Dim: 8.5mm T x 19mm W x 12mm L x 147mm LL
Note: With clip, used w/ 68-206 brush



68-207-1
Brush - Field
12 Volt

Same as 68-207 except...
Note: Without clip



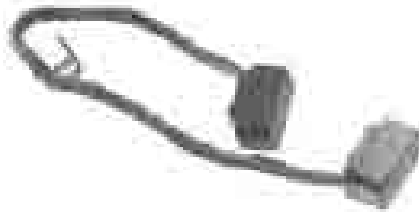
68-208
Brush - Ground
12 Volt

For: Ford 4" Mod II DD Starters
Replaces: Ford E2BF-11056-AA; Ref# F-62
Dim: 8.5mm T x 19mm W x 10mm L x 44mm LL
Note: With unthreaded terminal, used w/ 68-209 brush



68-208-1
Brush - Ground
12 Volt

Same as 68-208 except...
Note: Same as 68-208 except w/ 6-32 threaded terminal



68-209
Brush - Field
12 Volt

For: Ford 4" Mod II DD Starters
Replaces: Ford E4FF-11055-AA; Ref# F-61U
Dim: 8.5mm T x 19mm W x 10mm L x 151mm LL
Note: With clip, used w/ 68-208 brush



68-209-1
Brush - Field
12 Volt

Same as 68-209 except...
Note: Without clip



68-211
Brush
6-12 Volt

For: Ford Inertia Drive Starters
Replaces: Ford 18-11055; Ref# F-6S
Dim: 8.5mm T x 19mm W x 10mm L x 58mm LL



68-212
Brush - Ground
12 Volt

For: Ford 4-1/2" DD Starters
Replaces: Ford C0DF-11056-A; Ref# F-31
Dim: 8.5mm T x 19mm W x 10mm L x 101mm LL
Note: With 10-32 threaded terminal, used w/ 68-204, 68-205 brushes. For version w/ contact spring use 76-2502.



68-215
Brush - Ground
12 Volt

For: Ford OSGR Starters
Replaces: Ref# F-62L
Unit Nos: Ford E4FZ-11002-A, E4LY-11002-A
Lester Nos: 3193, 3194
Dim: 8.5mm T x 19mm W x 10mm L x 45mm LL
Note: Used w/ 68-216-1 brush



68-216-1
Brush - Field
12 Volt

For: Ford OSGR Starters
Replaces: Ref# F-66U
Unit Nos: Ford E4EF-11001-AA, E4FZ-11002-A, E4LF-11001-AB, E4LY-11002-A
Lester Nos: 3193, 3194
Dim: 8.5mm T x 19mm W x 10mm L x 44mm LL
Note: With Clip, used w/ 68-215 brush



68-217
Brush - Field
12 Volt

For: Ford PMGR Starters
Dim: 4.5mm T x 16mm W x 14mm L x 64mm LL
(cont'd.)

(cont'd.)
Note: Used w/ 68-219 brush in starters using solenoids w/ male spade S-terminal.

Components:
68-218 Brush
76-2304 Bracket
Features:
• Premium Quality

68-217-3
Brush - Field
12 Volt

Same as 68-217 except...
Features:
• Best Value



68-218
Brush - Field
12 Volt

For: Ford PMGR Starters
Replaces: Ref# F-67
Dim: 4.5mm T x 16mm W x 14mm L x 64mm LL
Note: Used in 68-217, 68-220 brushes
Features:
• Premium Quality

68-218-3
Brush - Field
12 Volt

Same as 68-218 except...
Features:
• Best Value



68-219
Brush - Ground
12 Volt

For: Ford PMGR Starters
Dim: 4.5mm T x 16mm W x 14mm L x 64mm LL
Note: Used w/ 68-217 or 68-220 brushes only
Components:
76-2305 Bracket
Features:
• Premium Quality

68-219-1
Brush - Ground
12 Volt

Same as 68-219 except...
Note: Used w/ 68-220-1 brush
Features:
• Premium Quality
• Mfd. by OE Supplier

68-219-3
Brush - Ground
12 Volt

Same as 68-219 except...
Note: Used w/ 68-220-3 brush
Features:
• Best Value



68-220
Brush - Field
12 Volt

For: Ford PMGR Starters
Dim: 4.5mm T x 16mm W x 14mm L x 64mm LL
Note: Used w/ 68-219 brush. Introduced on Ford PMGR starters w/ M6 x 1.0 S-terminal post solenoids but will also fit starters w/ male spade S-terminal solenoids.

Components:
68-218 Brush
76-2602 Terminal Lead
Features:
• Premium Quality

68-220-1
Brush - Field
12 Volt

Same as 68-220 except...
Features:
• Premium Quality
• Mfd. by OE Supplier

68-220-3
Brush - Field
12 Volt

Same as 68-220 except...
Features:
• Best Value

STARTER - BRUSHES (68-)

FORD (cont'd.)

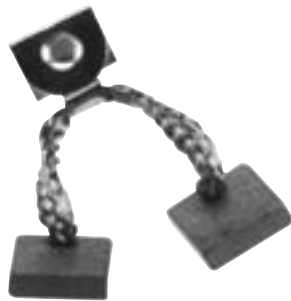


68-221
Brush - Field
12 Volt

For: Ford PMGR Noseless Starters
Used On: (2005-99) Ford, Lincoln
Unit Nos: Ford F81U-11000-AA, -AC, -AD; F81Z-11002-AA; XL1U-11000-AA, -AB; XL1Z-11002-AA, XW4U-11000-CG, XW4Z-11002-CG
Lester Nos: 6646, 6647, 6652
Dim: 4.5mm T x 16mm W x 16mm L x 63mm LL
Note: Used in 69-202 Brush Holder Assy. w/ 68-222 Grd. Brush
Features:
 • Premium Quality

68-221-3
Brush - Field
12 Volt

Same as 68-221 except...
Features:
 • Best Value



68-222
Brush - Ground
12 Volt

For: Ford PMGR Noseless Starters
Used On: (2005-99) Ford, Lincoln
Unit Nos: Ford F81U-11000-AA, -AC, -AD; F81Z-11002-AA; XL1U-11000-AA, -AB; XL1Z-11002-AA, XW4U-11000-CG, XW4Z-11002-CG
Lester Nos: 6646, 6647, 6652
Dim: 4.5mm T x 16mm W x 16mm L x 63mm LL
Note: Used in 69-202 Brush Holder Assy. w/ 68-221 Field Brush.
Features:
 • Premium Quality

68-222-3
Brush - Ground
12 Volt

Same as 68-222 except...
Features:
 • Best Value



68-223
Brush - Ground
12 Volt

For: Ford 3.0kW OSGR Starters
Used On: (2005-01) Ford 7.3L (Diesel)
Unit Nos: Ford 1C3U-11000-AA, -AB, -AE; 1C3Z-11002-A; 2C3T-11000-AA, 2C3Z-11002-AA
Lester Nos: 6669
Dim: 8.5mm T x 19mm W x 18mm L x 33mm LL
Note: Used in 69-203 Brush Holder Assy. w/ 68-224 Field Brush



68-224
Brush - Field
12 Volt

For: Ford 3.0kW OSGR Starters
Used On: (2001) Ford 7.3L (Diesel)
Unit Nos: Ford 1C3U-11000-AA, -AB, -AE; 1C3Z-11002-A
Lester Nos: 6669
Dim: 8.5mm T x 19mm W x 18mm L x 31mm LL
Note: Used on 59-220 Field Coil & 69-203 Brush Holder Assy. w/ 68-223 Grd. Brush



68-227
Brush - Ground
12 Volt

For: Ford PMGR External Thru Bolt Starters
Used On: (2006-00) Ford, Jaguar, Lincoln, Mercury
Unit Nos: Ford 5L8T-11000-AC, 5L8Z-11002-AA, 6F9Z-11002-AA, 6S4Z-11002-AA, 96BB-11000-AA, XW4U-11000-AC, XW4Z-11002-AC; Jaguar C2C-1127
Lester Nos: 6651, 6674, 6676, 6677
Dim: 6mm T x 13mm W x 12mm L x 23mm LL
Note: Used in 69-204 Brush Holder Assy.

HITACHI



68-8100 Brush - Ground 12 Volt

For: Hitachi DD, OSGR Starters
Used On: (1992-78) Nissan; Isuzu, John Deere, Kawasaki, Massey Ferguson, Toyosha, Yanmar
Replaces: Ref# FA-111
Lester Nos: 16584, 16611, 16694, 16803, 16809, 16811, 16813, 16816, 16982, 16986, 16997, 17104, 17178
WAI Ref. Nos: 2-1080-HI, 2-1082-HI, 2-1084-HI, 2-1090-HI, 2-1095-HI, 2-1099-HI, 2-1100-HI, 2-1104-HI, 2-1105-HI, 2-1109-HI, 2-1110-HI, 2-1119-HI, 2-1777-HI, 2-1916-HI
Dim: 7mm T x 14mm W x 15.5mm L x 46mm LL
Note: For insulated version use 68-8101 brush



68-8101 Brush - Field 12 Volt

For: Hitachi DD, OSGR Starters
Used On: (1992-78) Nissan; Isuzu, John Deere, Kawasaki, Massey Ferguson, Toyosha, Yanmar
Replaces: Ref# FA-112
Lester Nos: 16584, 16611, 16694, 16803, 16809, 16811, 16813, 16816, 16982, 16986, 16997, 17104, 17178
WAI Ref. Nos: 2-1080-HI, 2-1082-HI, 2-1084-HI, 2-1090-HI, 2-1095-HI, 2-1099-HI, 2-1100-HI, 2-1104-HI, 2-1105-HI, 2-1109-HI, 2-1110-HI, 2-1119-HI, 2-1777-HI, 2-1916-HI
Dim: 7mm T x 14mm W x 15.5mm L x 46mm LL
Note: For uninsulated version use 68-8100 brush
Features:
 • Premium Quality

68-8101-3 Brush - Field 12 Volt

Same as 68-8101 except...
Features:
 • Best Value



68-8103 Brush - Field 12 Volt

For: Hitachi DD Starters
Used On: (1982-81) Nissan (Diesel); Thermo King, Toyosha, Yanmar
Unit Nos: Hitachi S12-19C, S12-41A, S12-59; S12-63A, B, C; S12-68A, B, D; S12-77, A; S12-79, S12-82
Lester Nos: 16771, 16808, 17088
WAI Ref. Nos: 2-1089-HI, 2-1734-HI, 2-2032-HI
Dim: 8mm T x 14mm W x 21.5mm L x 38mm LL



68-8107 Brush - Ground 12 Volt

For: Hitachi DD Starters
Used On: Nissan
Replaces: Ref# FA-73
Unit Nos: Hitachi S114-87M
Lester Nos: 16211
WAI Ref. Nos: 2-1083-HI
Dim: 7mm T x 16mm W x 15mm L x 30mm LL



68-8108 Brush - Field 12 Volt

For: Hitachi DD, OSGR Starters
Used On: (1994-70) Honda, Infiniti, Isuzu, Nissan, Opel; Bobcat, Iseki, Ishikawajima, John Deere, Kawasaki, Komatsu, Nissan Lift Truck, Teledyne Continental, Toyosha, Volvo Penta, Yanmar
Replaces: Ref# FA-72S
Lester Nos: 16191, 194, 203, 205, 207, 209, 211, 246, 270, 499, 579, 589, 710, 711, 719, 732, 735, 773, 774, 775, 805, 806, 807, 814, 843, 877, 908, 911, 918, 954, 985, 991, 992, 993; 17069, 145, 147, 300, 305; 18056, 110, 203, 206, 207, 209, 211, 216, 218, 312, 321, 322
Dim: 6.5mm T x 11mm W x 15mm L x 33mm LL
Note: For uninsulated version use 68-8110 brush

68-8108-3 Brush - Field 12 Volt

Same as 68-8108 except...
Features:
 • Best Value



68-8109 Brush - Field 12 Volt

For: Hitachi DD Starters
Used On: (1989-72) Chevrolet, Nissan
Replaces: Ref# FA-72
Lester Nos: 16190, 16203, 16209, 16270, 16805, 16992, 16993, 17057
WAI Ref. Nos: 2-1076-HI, 2-1079-HI, 2-1086-HI, 2-1112-HI, 2-1113-HI, 2-1192-HI, 2-1211-HI, 2-1428-HI
Dim: 7mm T x 11mm W x 18.5mm L x 36mm LL
Note: For uninsulated version use 68-8111 brush

STARTER - BRUSHES (68-)

HITACHI (cont'd.)



68-8110
Brush - Ground
12 Volt

For: Hitachi DD, OSGR, PMDD, PMGR Starters
Used On: (1995-70) Honda, Infiniti, Isuzu, Nissan, Opel, Subaru; Bobcat, Iseki, Ishikawajima, John Deere, Kawasaki, Komatsu, Nissan Lift Truck, Teledyne, Toyosha, Volvo Penta, Yanmar
Lester Nos: 16191, 194, 203, 205, 207, 209, 211, 246, 270, 499, 579, 589, 710, 711, 719, 732, 735, 773, 774, 775, 805, 806, 807, 814, 817, 843, 877, 908, 911, 918, 954, 985, 991, 992, 993; 17057, 069, 145, 146, 147, 161, 196, 246, 300, 305, 454; 18056, 110, 203, 206, 207, 209, 211, 216, 218, 312, 321, 322
Dim: 6.5mm T x 11mm W x 15mm L x 42mm LL
Note: For insulated version use 68-8108 brush

68-8110-3
Brush - Ground
12 Volt

Same as 68-8110 except...
Features:
 • Best Value



68-8111
Brush - Ground
12 Volt

For: Hitachi DD Starters
Used On: (1989-72) Chevrolet, Nissan
Replaces: Ref# FA-70
Lester Nos: 16190, 16203, 16209, 16270, 16805, 16992, 16993, 17057
WAI Ref. Nos: 2-1076-HI, 2-1079-HI, 2-1086-HI, 2-1112-HI, 2-1113-HI, 2-1192-HI, 2-1211-HI, 2-1428-HI
Dim: 7mm T x 11mm W x 18.5mm L x 36mm LL
Note: For insulated version use 68-8109 brush



68-8112
Brush - Ground
12 Volt

For: Hitachi DD Starters
Used On: Nissan (Diesel), Yanmar
Replaces: Ref# FA-117
Unit Nos: Hitachi S12-23, S12-34, S12-39, S12-63, S12-68
Lester Nos: 16771, 16808
WAI Ref. Nos: 2-1089-HI
Dim: 8mm T x 14mm W x 21mm L x 35mm LL
Note: Used w/ 68-8113 brush



68-8113
Brush - Field
12 Volt

For: Hitachi DD Starters
Used On: Nissan (Diesel), Yanmar
Replaces: Ref# FA-118
Unit Nos: Hitachi S12-23, S12-34, S12-39, S12-63, S12-68
Lester Nos: 16771, 16808
WAI Ref. Nos: 2-1089-HI
Dim: 8mm T x 14mm W x 21mm L x 38mm LL
Note: Used w/ 68-8112 brush



68-8118
Brush - Field
12 Volt

For: Hitachi OSGR Starters
Used On: (1986-81) Chevrolet, Isuzu, Nissan, Pontiac (Diesel)
 (cont'd.)

(cont'd.)

Unit Nos: Hitachi S13-62, A, B, C; S13-64, S13-65, S13-69, S13-102
Lester Nos: 16733, 16740, 16772
WAI Ref. Nos: 2-1091-HI, 2-1191-HI
Dim: 7mm T x 19mm W x 15mm L x 51mm LL
Note: Similar to 68-8119 except 68-8119 has 36mm LL



68-8119
Brush
12 Volt

For: Hitachi OSGR Starters
Used On: (1986-81) Chevrolet, Isuzu, Nissan, Pontiac, Volvo (Diesel); Nissan Lift Truck, Thermo King, Yanmar
Unit Nos: Hitachi S13-62, A, B, C; S13-64, S13-65, S13-69, S13-84; S13-89A, B, S13-91, S13-92A; S13-94, A; S13-104, S13-107A, S13-111, S13-112, S13-289A
Lester Nos: 16733, 16740, 16772, 17018, 17088, 17138
WAI Ref. Nos: 2-1091-HI, 2-1191-HI, 2-1289-HI, 2-1734-HI, 2-1776-HI, 2-2014-HI
Dim: 7mm T x 19mm W x 15mm L x 36mm LL
Note: Similar to 68-8118 except 68-8118 has 51mm LL



68-8120
Brush
12 Volt

For: Hitachi DD Starters
Used On: Allis-Chalmers, Ford Tractor, Ishikawajima, Isuzu, Kubota, Melroe, Nissan, Toyosha, Yanmar
Replaces: Ref# FA-126
Unit Nos: Hitachi S12-52, S12-58, S12-61, S12-62, S13-14, S13-24A, S13-28, S13-31, S13-32, S13-32A, S13-55, S13-61A, S13-71, S13-75, S13-82A
Lester Nos: 16739
WAI Ref. Nos: 2-1193-HI, 2-2026-HI
Dim: 9mm T x 19.5mm W x 21mm L x 42mm LL



68-8124
Brush - Field
12 Volt

For: Hitachi PMGR Starters
Used On: (1992-89) Nissan
Unit Nos: Hitachi S114-519A; S114-525, A
Lester Nos: 17161
WAI Ref. Nos: 2-1115-HI
Dim: 6.5mm T x 11mm W x 15mm L x 101mm LL, Motor Lead 66mm L
Note: Used w/ 68-8110 brush. Similar to 68-8125 except rubber grommet is different.
Components:
 68-8133 Brush



68-8125
Brush - Field
12 Volt

For: Hitachi PMGR Starters
Used On: (1995-89) Nissan
Unit Nos: Hitachi S114-517C, S114-520B; S114-527, A, B; S114-534
Lester Nos: 17146, 17454
WAI Ref. Nos: 2-1117-HI, 2-1122-HI
Dim: 6.5mm T x 11mm W x 15mm L x 101mm LL, Motor Lead 66mm L
Note: Used w/ 68-8110 brush. Similar to 68-8124 except rubber grommet is different.
Components:
 68-8133 Brush
Features:
 • Premium Quality

68-8125-3
Brush - Field
12 Volt

Same as 68-8125 except...
Features:
 • Best Value



68-8126
Brush - Field
12 Volt

For: Hitachi PMGR Starters
Used On: (1995-91) Nissan
Unit Nos: Hitachi S114-701A, C
Lester Nos: 17246
WAI Ref. Nos: 2-1128-HI
Dim: 6.5mm T x 11mm W x 15mm L x 97mm LL
Note: Used w/ 68-8110 brush



68-8127
Brush - Field
12 Volt

For: Hitachi PMGR Starters
Used On: (1995-86) Nissan
Unit Nos: Hitachi S114-503A, S114-516, S114-516A, S114-528, S114-528A
Lester Nos: 16817, 17196
WAI Ref. Nos: 2-1107-HI, 2-1123-HI, 2-1446-HI
Dim: 6.5mm T x 11mm W x 15mm L x 101mm LL, Motor Lead 66mm L
Note: Used w/ 68-8110 brush
Components:
 68-8133 Brush



68-8128
Brush - Field
12 Volt

For: Hitachi PMGR Starters
Used On: (1994-92) Mercury, Nissan
 (cont'd.)

(cont'd.)

Unit Nos: Hitachi S114-755, S114-756, S114-757
Lester Nos: 17476, 17479
WAI Ref. Nos: 2-1441-HI
Dim: 4.5mm T x 14mm W x 16.5mm L x 56mm LL, Motor Lead 90mm L
Note: 16.5mm L.
 For 15mm L version use 68-8128-1.
 Used w/ 68-8129 brush.



68-8128-1
Brush - Field
12 Volt

Same as 68-8128 except...
Dim: 4.5mm T x 14mm W x 15mm L x 56mm LL, Motor Lead 90mm L
Note: 15mm L.
 For 16.5mm L version use 68-8128.
 Used w/ 68-8129-1 brush



68-8129
Brush - Ground
12 Volt

For: Hitachi PMGR Starters
Used On: (2002-92) Acura, Infiniti, Isuzu, Mercury, Nissan
Replaces: Isuzu 8-97044-133-0; Nissan 23379-0M300, 23379-1P100
Unit Nos: Hitachi S114-753, C; S114-754A, S114-755, S114-756, S114-757, S114-766A, S114-767, S114-800B; S114-801A, B, C; S114-802A, S114-806A, S114-822
Lester Nos: 17146, 17246, 17476, 17477, 17479, 17509, 17695, 17713
WAI Ref. Nos: 2-1117-HI, 2-1128-HI, 2-1441-HI, 2-1560-HI, 2-1611-HI, 2-1694-HI, 2-1856-HI, 2-1935-HI
Dim: 4.5mm T x 14mm W x 16.5mm L x 32mm LL
Note: 16.5mm L.
 For 15mm L version use 68-8129-1
Features:
 • Premium Quality

STARTER - BRUSHES (68-)

HITACHI (cont'd.)



68-8129-1
Brush - Ground
12 Volt

Same as 68-8129 except...

Dim: 4.5mm T x 14mm W x 15mm L x 33mm LL

Note: 15mm L.

For 16.5mm L version use 68-8129

Features:

- Premium Quality

68-8129-4
Brush - Ground
12 Volt

Same as 68-8129-1 except...

Dim: 4.5mm T x 14mm W x 15mm L x 33mm LL

Note: 15mm L.

For 16.5mm L version use 68-8129

Features:

- Best Value



68-8131
Brush - Field
12 Volt

For: Hitachi DD Starters

Used On: (1994-89) Subaru

Unit Nos: Hitachi S114-556, A

Lester Nos: 17057

WAI Ref. Nos: 2-1211-HI

Dim: 4.5mm T x 11mm W x 15mm L x 67mm LL



68-8132
Brush - Ground
12 Volt

For: Hitachi PMDD Starters

Used On: (1994-89) Subaru

Unit Nos: Hitachi S114-556, A

Lester Nos: 17057

WAI Ref. Nos: 2-1211-HI

Dim: 4.5mm T x 11mm W x 15mm L x 24mm LL



68-8133
Brush - Field
12 Volt

For: Hitachi PMGR Starters

Used On: (1995-86) Nissan, Subaru

Unit Nos: Hitachi S114-419A,

S114-503A, S114-516, A; S114-517C,

S114-519A, S114-520B; S114-525, A;

S114-527, A, B; S114-528, A; S114-534

Lester Nos: 16817, 17057, 17146,

17161, 17196, 17454

WAI Ref. Nos: 2-1107-HI, 2-1115-HI,

2-1117-HI, 2-1122-HI, 2-1123-HI,

2-1211-HI, 2-1446-HI

Dim: 6.5mm T x 11mm W x 15mm L x 102mm LL

Note: Used w/ 68-8110 brush



68-8134
Brush
12 Volt

For: Hitachi DD Starters

Used On: Navistar, UD Nissan Diesel

Unit Nos: Hitachi S15-02, S15-03

WAI Ref. Nos: 2-1804-HI

Dim: 10mm T x 25mm W x 22mm L x 65mm LL



68-8135-1
Brush
24 Volt

For: Hitachi OSGR Starters

Used On: John Deere, Kobelco

America, Nissan Lift Truck

Unit Nos: Hitachi S25-110, A, B, C, F,

G; S25-121A, S25-137B; S25-142, A, B;

S25-156; S25-158A, B

WAI Ref. Nos: 2-2037-HI

Dim: 8mm T x 25mm W x 18mm L x 43mm LL

Note: Without clip



68-8136
Brush - Field
12 Volt

For: Hitachi PMGR Starters

Used On: (2002-92) Acura, Isuzu,

Nissan

Unit Nos: Hitachi S114-753, C;

S114-766A, S114-767

Lester Nos: 17146, 17509

WAI Ref. Nos: 2-1117-HI, 2-1560-HI

Dim: 4.5mm T x 14mm W x 16.5mm L x 56mm LL, Motor Lead 66mm L

Note: 16.5mm L.

For 15mm L version use 68-8136-1.

Used w/ 68-8129 brush.



68-8136-1
Brush - Field
12 Volt

Same as 68-8136 except...

Dim: 4.5mm T x 14mm W x 15mm L x 56mm LL, Motor Lead 66mm L

Note: 15mm L.

For 16.5mm L version use 68-8136.

Used w/ 68-8129-1 brush.



68-8137
Brush - Field
12 Volt

For: Hitachi PMGR Starters

Used On: (1999-95) Infiniti, Nissan

Replaces: Nissan 23380-0M300

Unit Nos: Hitachi S114-800B; S114-801A, B, C; S114-802A, B; S114-806, A; S114-822

Lester Nos: 17146, 17695, 17713, 17745

WAI Ref. Nos: 2-1117-HI, 2-1128-HI, 2-1694-HI, 2-1856-HI, 2-1935-HI

Dim: 4.5mm T x 14mm W x 14.5mm L x 50mm LL



68-8308
Brush - Field
12 Volt

For: Hitachi OSGR; Mitsubishi OSGR, PLGR Starters

Used On: (2000-82) Dodge, Ford, Mazda, Mitsubishi, Nissan (Diesel); Allis-Chalmers, John Deere, Massey Ferguson, Yanmar

Replaces: Isuzu 5-81116-024-0, Nissan 23380-J5500, Yanmar X-21308311

(cont'd.)

(cont'd.)

Unit Nos: Hitachi S13-33A, -33B, -34A, -36, -40, -40A, -41, -41A, -45, -45A, -45B, -46, -46A, -50, -50A, -56, -56A, -60, -78; Mitsubishi M2T60071, 072, 073, 171, 185, 271, 371; M2T92071, 271; M3T66072, 073, 074; M3T90071, 072; M8T50071, 171, 172

Lester Nos: 16733, 16744, 16771, 16772, 16799, 16818, 16854, 16857, 17036, 17037, 17081, 17577, 17578, 18052, 18053, 18204, 18291

WAI Ref. Nos: 2-1088-HI, 2-1091-HI, 2-1138-MI, 2-1143-MI, 2-1170-MI, 2-1249-MI, 2-1254-MI, 2-1451-MI, 2-1747-MI, 2-1748-MI, 2-2016-H

Dim: 8mm T x 24mm W x 18mm L x 38mm LL

Note: Without clip, used w/ 68-8309 brush

Features:

- Premium Quality

68-8308-3
Brush - Field
12 Volt

Same as 68-8308 except...

Features:

- Best Value



68-8308-1
Brush - Field
12 Volt

Same as 68-8308 except...

Note: With clip

Features:

- Premium Quality



68-8309
Brush - Ground
12 Volt

For: Hitachi OSGR; Mitsubishi OSGR, PLGR Starters

Used On: (2000-82) Dodge, Ford, Mazda, Mitsubishi, Nissan (Diesel); John Deere, Massey Ferguson, Mitsubishi-Fuso

Replaces: Isuzu 5-81115-025-0, Nissan 23379-J5500, Yanmar X-21305312

Unit Nos: Hitachi S13-33A, -33B, -34A, -36, -40, -40A, -41, -41A, -45, -45A, -45B, -46, -46A, -50, -50A, -56, -56A, -60, -78; Mitsubishi M2T60071, 072, 073, 171, 185, 271, 371; M2T92071, 271; M3T66072, 073, 074; M3T90071, 072; M8T50071, 171, 172

Lester Nos: 16733, 16744, 16771, 16772, 16799, 16818, 16854, 16857, 17036, 17037, 17081, 17577, 17578, 18052, 18053, 18204, 18291

WAI Ref. Nos: 2-1088-HI, 2-1091-HI, 2-1138-MI, 2-1143-MI, 2-1170-MI, 2-1249-MI, 2-1254-MI, 2-1451-MI, 2-1747-MI, 2-1748-MI, 2-2016-H

Dim: 8mm T x 24mm W x 18mm L x 38mm LL

Note: Used w/ 68-8308 field brush

Features:

- Premium Quality

68-8309-3
Brush - Ground
12 Volt

Same as 68-8309 except...

Features:

- Best Value

STARTER - BRUSHES (68-)

ISKRA



68-95800
Brush Kit
12 Volt

For: Iskra DD Starters
Used On: (1989-86) Yugo
Unit Nos: Iskra 11-130-034, 11-130-166, 11-130-217
Lester Nos: 17012
WAI Ref. Nos: 2-1315-IK
Dim: 8mm T x 17mm W x 18.5mm L x 29mm LL

LUCAS



68-9200
Brush
12 Volt

For: Lucas 2M100, 3M100 Series DD Starters
Used On: (1989-67) Jaguar, MG, Rover, Triumph
Replaces: Lucas 54243725; 54246258, 60600196, TAB113, TAB116, TAB124 (set#); Ref# FA-103
Unit Nos: Lucas 25631, 25643, 25647, 25654, 25659, 25668, 25674, 25678, 25684, 25684, 25717, 25724, 25756
Lester Nos: 16132, 16134, 16164, 16166, 16173, 16178, 16289, 17021
WAI Ref. Nos: 2-1323-LU, 2-1324-LU, 2-1327-LU, 2-1330-LU, 2-1331-LU, 2-1332-LU, 2-1338-LU, 2-1417-LU
Dim: 9.5mm T x 17.5mm W x 12.5mm L x 142mm LL



68-9203
Brush
12 Volt

For: Lucas M35J Series DD Starters
Used On: (1980-67) Mercury, MG, Triumph
Replaces: Lucas 54265216; 54244848, 60600056, 60600767, TAB103, TAB117 (set#); Ref# FA-76
Unit Nos: Lucas 25149, 25182, 25204, 25219, 25271, 25289, 25289, 25327
Lester Nos: 16121, 16133
WAI Ref. Nos: 2-1328-LU, 2-1430-LU
Dim: 9mm T x 11.5mm W x 13.5mm L x 141mm LL
Note: Used w/ 68-9204 brush



68-9204
Brush
12 Volt

For: Lucas M35J Series DD Starters
Used On: (1980-67) Mercury, MG, Triumph
Replaces: Lucas 54265217; 54244848, 60600056, 60600767, TAB103, TAB117 (set#); Ref# FA-75B
Unit Nos: Lucas 25149, 25182, 25204, 25204, 25219, 25271, 25289, 25327
Lester Nos: 16121, 16133
WAI Ref. Nos: 2-1328-LU, 2-1430-LU
Dim: 9mm T x 11.5mm W x 13.5mm L x 116mm LL
Note: Used w/ 68-9203 brush

LEECE-NEVILLE



68-500
Brush
12-32 Volt

For: Leece-Neville MA, MC 'Thick Frame' DD Starters
Replaces: Leece-Neville 16238-A, 19095, 71035, 78366; Ref# L-58
Dim: 9.5mm T x 20.5mm W x 20.5mm L x 58mm LL



68-9202
Brush
12 Volt

For: Lucas M45G, M148G Series DD Starters
Used On: (1991-69) Jaguar, Triumph; Case, Ford Tractor, IHC
Replaces: Lucas 263018, 54258066; 255659, TAB127 (set#); Ref# FA-2
Unit Nos: Lucas 25533, 25541, 25555, 25578, 25626, 25660, 26132, 26133, 26140, 26143, 26163, 26193, 26193, 26206, 26220, 26252, 26271, 26278, 26346, 27411, 27413, 27420, 27428, 27457, 27458, 27459
Lester Nos: 16106, 107, 108, 132, 138, 139, 164, 166, 175, 603, 660, 664, 668; 17639, 645, 660; 18260
WAI Ref. Nos: 2-1327-LU, 2-1331-LU, 2-1333-LU, 2-1417-LU, 2-2038-LU, 2-2302-LU, 2-2305-LU
Dim: 8.5mm T x 19.5mm W x 13.5mm L x 97mm LL



68-9206
Brush
12 Volt

For: Lucas M50 Series DD Starters
Used On: Allis-Chalmers, Ford Tractor, JCB
Replaces: Lucas 54258779; 54244979, 54259517, 60600849, TAB118 (set#); Ref# FA-69
Unit Nos: Lucas 26274, 26282, 26294, 26295, 26298, 26312, 26316, 26336, 26341, 26342, 26343, 26345, 26349, 26351, 26352, 26357, 26358, 26359, 26363, 26366, 26369, 26376, 26379, 26384, 26388, 26395, 26398, 26404, 26407, 26410, 26414, 26416, 26421, 26423, 26428, 26429, 26431, 26433, 26435, 27508, 27515, 27516, 27518, 27519, 27528, 27533, 27536, 27539, 27540, 27541, 27543, 27553, 27554, 27556, 27558, 27572, 27575
Dim: 9mm T x 20mm W x 24.5mm L x 66mm LL
Note: Similar to 68-9207 except 68-9207 has 22.5mm L



68-9207
Brush
12 Volt

For: Lucas M50 Series DD Starters
Used On: (1991-82) Jaguar; Ford Tractor
Replaces: Lucas 54257238, 54258280; 54258592, TAB119 (set#); Ref# FA-64
Unit Nos: Lucas 26132, 26133, 26143, 26193, 26206, 26211, 26220, 26271, 26278, 26291, 26338, 26339, 26346, 26395, 27411, 27413, 27420, 27428, 27457, 27458, 27500, 27569, 27569
Lester Nos: 16175
WAI Ref. Nos: 2-1333-LU
Dim: 8mm T x 19mm W x 22.5mm L x 65mm LL
Note: Similar to 68-9206 except 68-9206 has 24.5mm L



68-9209
Brush
12 Volt

For: Lucas M45G Series DD Starters
Used On: IHC, Jaguar
Replaces: Lucas 271491, 54258277; 271735, TAB125 (set#); Ref# FA-39
Unit Nos: Lucas 26283, 26286, 26288, 26301, 26364, 26375
Lester Nos: 16660
WAI Ref. Nos: 2-2038-LU
Dim: 8mm T x 19mm W x 22mm L x 88mm LL

MANDO



68-8209
Brush
12 Volt

For: Mando, Mitsubishi, Nippondenso DD Starters
Used On: (2002-80) Chevrolet, Daihatsu, Dodge, Eagle, Ford, Geo, Honda, Hyundai, Isuzu, Kia, Mazda, Mercury, Mitsubishi, Nissan, Plymouth, Subaru, Suzuki, Toyota; Carrier, Ford Tractor, John Deere, Kohler, Komatsu, Kubota, Lincoln Electric, Mitsubishi Lift Truck, Nissan Lift Truck, Onan, Woods, Yale
Lester Nos: 16215, 218, 222, 245, 468, 514, 527, 579, 707, 708, 711, 728, 729, 734, 735, 741, 742, 766, 774, 775, 793, 794, 804, 832, 838, 843, 856, 858, 859, 880, 883, 910, 911, 912, 922, 938, 940, 966, 971; 17000, 010, 057, 058, 147, 152, 181, 212, 248, 270, 288, 354, 580, 662, 684, 704, 732, 733
Dim: 6.5mm T x 10mm W x 16.5mm L x 30mm LL
Note: Used w/ 68-8305 brush on Mitsubishi starters



68-8305
Brush - Field
12 Volt

For: Mando, Mitsubishi DD Starters
Used On: (2002-81) Chevrolet, Dodge, Eagle, Ford, Geo, Hyundai, Mazda, Mercury, Mitsubishi, Nissan, Plymouth, Subaru, Suzuki; John Deere, Kubota, Lincoln Electric, Mitsubishi Lift Truck, Nissan Lift Truck, Onan, Woods, Yale
Replaces: Ford E7GZ-11057-A, Mazda B630-18-X66, E301-24-753; Mitsubishi Motors MD607554, Nissan 23380-M8310, Suzuki 31131-80090
Lester Nos: 16514, 527, 579, 708, 711, 728, 729, 741, 742, 774, 775, 791, 793, 794, 795, 798, 856, 858, 859, 922, 924, 938, 940, 966, 971; 17010, 147, 181, 212, 270, 288, 291, 580, 662, 684, 732, 733; 18060
Dim: 6.5mm T x 10mm W x 16.5mm L x 30mm LL
Note: Used w/ 68-8209 ground brush
Features:

- Premium Quality

68-8305-3
Brush - Field
12 Volt

Same as 68-8305 except...
Features:

- Best Value

STARTER - BRUSHES (68-)

MANDO (cont'd.)



68-8312
Brush - Field
12 Volt

For: Mando, Mitsubishi PMGR Starters
Used On: (2005-85) Chevrolet, Chrysler, Dodge, Eagle, Ford, Geo, Hyundai, Infiniti, Jeep, Mazda, Mercury, Mitsubishi, Nissan, Plymouth, Subaru, Suzuki; Caterpillar, Clark

Lester Nos: 16874, 16888, 16900, 16930, 16931, 16933, 16939, 16998, 17046, 17131, 17132, 17142, 17146, 17151, 17161, 17166, 17167, 17185, 17192, 17214, 17217, 17246, 17266, 17461, 17469, 17470, 17478, 17479, 17480, 17505, 17514, 17539, 17557, 17559, 17561, 17564, 17566, 17686, 17708

Dim: 4.5mm T x 12mm W x 17mm L x 56mm LL, Motor Lead 71mm L

Note: 17mm L.

For 15mm L version use 68-8312-1.

Used w/ 68-8315 brush.

Features:

- Premium Quality

68-8312-3
Brush - Field
12 Volt

Same as 68-8312 except...

Note: 17mm L.

Features:

- Best Value

68-8312-1
Brush - Field
12 Volt

Same as 68-8312 except...

Note: 15mm L.

Features:

- Premium Quality



68-8315
Brush - Ground
12 Volt

For: Mando, Mitsubishi PMGR Starters
Used On: (2005-85) Chevrolet, Chrysler, Dodge, Eagle, Ford, Geo, Hyundai, Infiniti, Jeep, Mazda, Mercury, Mitsubishi, Nissan, Plymouth, Subaru, Suzuki; Caterpillar, Clark

Lester Nos: 16874, 16888, 16900, 16930, 16931, 16933, 16939, 16998, 17046, 17131, 17132, 17142, 17146, 17151, 17161, 17166, 17167, 17185, 17192, 17214, 17217, 17221, 17246, 17266, 17425, 17448, 17451, 17461, 17469, 17470, 17478, 17479, 17480, 17505, 17514, 17539, 17557, 17559, 17561, 17564, 17566, 17599, 17686, 17689, 17708, 17795

Dim: 4.5mm T x 12mm W x 17mm L x 35mm LL

Note: 17mm L.

For 15mm L version use 68-8315-1.

Used w/ 68-8312 or 68-8313 brushes.

Features:

- Premium Quality

68-8315-3
Brush - Ground
12 Volt

Same as 68-8315 except...

Note: 17mm L.

Features:

- Best Value

68-8315-1
Brush - Ground
12 Volt

Same as 68-8315 except...

Note: 15mm L.

Features:

- Premium Quality

68-8315-4
Brush - Ground
12 Volt

Same as 68-8315 except...

Note: 15mm L.

Features:

- Best Value

MARELLI



68-9303
Brush
24 Volt

For: Marelli DD Starters

Used On: Fiatallis, Iveco

Unit Nos: Marelli 63216727, 63216733, 63216738, 63216740, 63216747, 63216763

Dim: 7.5mm T x 25mm W x 23mm L x 41mm LL



68-9307
Brush
12 Volt

For: Marelli 2.5kW Starters

Used On: Allis-Chalmers, Fiat-Allis, John Deere, Long Tractor, Oliver, White

Unit Nos: Marelli 63217104, 63217118, 63217119, 63217120, 63217121, 63217125, 63217147, 63217401, MT71AA, MT71D, MT71DA, MT71T, MT71U, MT71V, MT71Z, MT74A

Dim: 9mm T x 16mm W x 23mm L x 38mm LL

MITSUBA



68-8500 Brush - Field 12 Volt

For: Mitsuba PMOSGR Starters

Used On: (1998-90) Acura, Honda, Isuzu

Unit Nos: Mitsuba SM402-03, SM402-04, SM402-05, SM402-05N, SM402-10N, SM402-11N, SM402-12N, SM402-13N, SM402-15, SM402-15N, SM402-16N, SM422-02, SM422-03, SM422-07, SM422-08, SM422-09, SM422-10, SM422-14, SM422-16, SM422-19, SM422-27, SM422-28

Lester Nos: 16902, 16960, 16975, 17201, 17205, 17433, 17474, 17527, 17591, 17661, 17675, 17693, 17712

WAI Ref. Nos: 2-1012-MT, 2-1019-MT, 2-1020-MT, 2-1021-MT, 2-1022-MT, 2-1521-MT, 2-1523-MT, 2-1524-MT, 2-1798-MT, 2-1868-MT, 2-1869-MT, 2-1870-MT, 2-1871-MT

Dim: 4.5mm T x 16.5mm W x 15mm L x 56mm LL

Note: Used w/ 68-8501 brush



68-8501 Brush - Ground 12 Volt

For: Mitsuba PMOSGR Starters

Used On: (2002-90) Acura, Honda, Isuzu

Unit Nos: Mitsuba SM402-03, SM402-04, SM402-05, SM402-05N, SM402-10N, SM402-11N, SM402-12N, SM402-13N, SM402-15, SM402-15N, SM402-16N, SM422-02, SM422-03, SM422-07, SM422-08, SM422-09, SM422-10, SM422-14, SM422-16, SM422-19, SM422-27, SM422-28, SM442-01, SM442-02-OW, SM442-08-1N, SM442-09-1R, SM442-10-1K, SM442-22, SM442-23, SM442-24

(cont'd.)

(cont'd.)

Lester Nos: 16902, 16960, 16975, 17201, 17205, 17433, 17474, 17527, 17591, 17661, 17675, 17693, 17712, 17721, 17728, 17729, 17741, 17742, 17743, 17744

Dim: 4.5mm T x 16.5mm W x 15mm L x 56mm LL

Note: Without clip, used w/ 68-8500 brush



68-8900 Brush 12 Volt

For: Mitsuba OSGR Starters

Used On: (1995-84) Acura, Honda

Unit Nos: Mitsuba SM302-02, SM302-04, SM302-07, SM302-08, SM302-16, SM302-18, SM302-22, SM302-24, SM302-25, SM302-28, SM302-44, SM302-45, SM302-46, SM302-48

Lester Nos: 16845, 16901, 16902, 16914, 17052, 17156, 17160, 17491

WAI Ref. Nos: 2-1000-MT, 2-1011-MT, 2-1012-MT, 2-1014-MT, 2-1017-MT, 2-1018-MT, 2-1528-MT

Dim: 6mm T x 14mm W x 13.5mm L x 28mm LL

Features:

- Premium Quality

68-8900-3 Brush 12 Volt

Same as 68-8900 except...

Features:

- Best Value

MITSUBISHI



68-8206 Brush 12 Volt

For: Mitsubishi OSGR; Nippondenso DD Starters

Used On: (1994-70) Audi, Dodge, Ford, Mazda, Mitsubishi, Nissan, Plymouth, Subaru, Toyota; Bobcat, Clark, Ford Tractor, Gehl, IHC, Ingersoll-Rand, Kubota, Mitsubishi Tractor, Nissan Lift Truck, Onan, Perkins, Toro

Replaces: Ref# FA-99

Lester Nos: 16215, 16217, 16218, 16222, 16245, 16258, 16260, 16468, 16582, 16584, 16626, 16717, 16720, 16780, 16788, 16803, 16816, 16855, 16866, 16875, 16935, 16982, 17110, 17173, 17178, 17332

Dim: 7mm T x 12mm W x 16mm L x 38mm LL

Note: Used w/ 68-8318 brush on Mitsubishi starters

Features:

- Premium Quality

68-8206-3 Brush 12 Volt

Same as 68-8206 except...

Features:

- Best Value

STARTER - BRUSHES (68-)

MITSUBISHI (cont'd.)



68-8209
Brush
12 Volt

For: Mando, Mitsubishi, Nippondenso DD Starters

Used On: (2002-80) Chevrolet, Daihatsu, Dodge, Eagle, Ford, Geo, Honda, Hyundai, Isuzu, Kia, Mazda, Mercury, Mitsubishi, Nissan, Plymouth, Subaru, Suzuki, Toyota; Carrier, Ford Tractor, John Deere, Kohler, Komatsu, Kubota, Lincoln Electric, Mitsubishi Lift Truck, Nissan Lift Truck, Onan, Woods, Yale

Lester Nos: 16215, 218, 222, 245, 468, 514, 527, 579, 707, 708, 711, 728, 729, 734, 735, 741, 742, 766, 774, 775, 793, 794, 804, 832, 838, 843, 856, 858, 859, 880, 883, 910, 911, 912, 922, 938, 940, 966, 971; 17000, 010, 057, 058, 147, 152, 181, 212, 248, 270, 288, 354, 580, 662, 684, 704, 732, 733

Dim: 6.5mm T x 10mm W x 16.5mm L x 30mm LL

Note: Used w/ 68-8305 brush on Mitsubishi starters



68-8300
Brush
12 Volt

For: Mitsubishi DD, OSGR Starters
Used On: (1997-71) Dodge, Ford, Infiniti, Mazda, Mitsubishi, Nissan, Plymouth, VW; Mitsubishi Lift Truck, Nissan Lift Truck, Yale

Replaces: Mitsubishi Motors MD602468, MD602470, MD607389; Nissan 23380-E3010, -U0110; Ref# FA-65

Lester Nos: 16203, 209, 210, 211, 268, 495, 497, 500, 513, 514, 519, 520, 522, 524, 527, 547, 579, 581, 582, 588, 671, 708, 728, 732, 733, 741, 742, 774, 775, 792, 793, 794, 795, 796, 805, 814, 858, 938; 17069, 141, 179, 426, 471, 544; 18097

Dim: 6.5mm T x 12mm W x 16.5mm L x 38mm LL

Features:
• Premium Quality

68-8300-3
Brush
12 Volt

Same as 68-8300 except...

Features:
• Best Value



68-8303
Brush
12 Volt

For: Mitsubishi OSGR Starters

Used On: (1985-84) Buick, Cadillac, Chevrolet, GMC, Oldsmobile, Pontiac (Diesel)

Unit Nos: Delco 22511854, 22515863, 22522853, 22523207; Mitsubishi M4T66074, M4T66173

Lester Nos: 16869, 16870, 16871

WAI Ref. Nos: 2-1406-MI, 2-1407-MI

Dim: 7.5mm T x 23.5mm W x 19mm L x 38mm LL



68-8305
Brush - Field
12 Volt

For: Mando, Mitsubishi DD Starters
Used On: (2002-81) Chevrolet, Dodge, Eagle, Ford, Geo, Hyundai, Mazda, Mercury, Mitsubishi, Nissan, Plymouth, Subaru, Suzuki; John Deere, Kubota, Lincoln Electric, Mitsubishi Lift Truck, Nissan Lift Truck, Onan, Woods, Yale

Replaces: Ford E7GZ-11057-A, Mazda B630-18-X66, E301-24-753; Mitsubishi Motors MD607554, Nissan 23380-M8310, Suzuki 31131-80090

Lester Nos: 16514, 527, 579, 708, 711, 728, 729, 741, 742, 774, 775, 791, 793, 794, 795, 798, 856, 858, 859, 922, 924, 938, 940, 966, 971; 17010, 147, 181, 212, 270, 288, 291, 580, 662, 684, 732, 733; 18060

Dim: 6.5mm T x 10mm W x 16.5mm L x 30mm LL

Note: Used w/ 68-8209 ground brush

Features:
• Premium Quality

68-8305-3
Brush - Field
12 Volt

Same as 68-8305 except...

Features:
• Best Value



68-8306
Brush
12 Volt

For: Mitsubishi OSGR, PLGR Starters

Used On: (2002-83) Acura, Dodge, Mazda, Mitsubishi; Case, Gehl, Mitsubishi Forklift, Onan, Toro, Yale

Replaces: Mazda S515-18-X66

Unit Nos: Mitsubishi M2T25381,

M2T25981, M2T54172, M2T54271, M2T54371, M2T54372, M2T54572, M2T55971, M2T56071, M2T56171, M2T56181, M2T56182, M2T56271, M2T56272, M2T56471, M2T56472, M2T56971, M2T57271, M2T61071, M2T61171, M2T61371, M2T61471, M2T61771, M2T62271, M2T65971, M2T66371, M2T80081, M2T80281, M2T80481, M2T80681

Lester Nos: 16744, 16853, 17008, 17081, 17096, 17275, 17432, 17515, 17556, 17596, 18163, 18168, 18171, 18240

WAI Ref. Nos: 2-1003-MI, 2-1138-MI, 2-1169-MI, 2-1452-MI, 2-1468-MI, 2-1551-MI, 2-1732-MI, 2-1781-MI, 2-1846-MI, 2-1963-MI, 2-2024-MI, 2-2093-MI, 2-2102-MI, 2-2228-MI

Dim: 7mm T x 18mm W x 18.5mm L x 37mm LL

Features:
• Premium Quality

68-8306-3
Brush
12 Volt

Same as 68-8306 except...

Features:
• Best Value



68-8308
Brush - Field
12 Volt

For: Hitachi OSGR; Mitsubishi OSGR, PLGR Starters

Used On: (2000-82) Dodge, Ford, Mazda, Mitsubishi, Nissan (Diesel); Allis-Chalmers, John Deere, Massey Ferguson, Yanmar

Replaces: Isuzu 5-81116-024-0, Nissan 23380-J5500, Yanmar X-21308311

Unit Nos: Hitachi S13-33A, -33B, -34A, -36, -40, -40A, -41, -41A, -45, -45A, -45B, -46, -46A, -50, -50A, -56, -56A, -60, -78; Mitsubishi M2T60071, 072, 073, 171, 185, 271, 371; M2T92071, 271; M3T66072, 073, 074; M3T90071, 072; M8T50071, 171, 172

Lester Nos: 16733, 16744, 16771, 16772, 16799, 16818, 16854, 16857, 17036, 17037, 17081, 17577, 17578, 18052, 18053, 18204, 18291

WAI Ref. Nos: 2-1088-HI, 2-1091-HI, 2-1138-MI, 2-1143-MI, 2-1170-MI, 2-1249-MI, 2-1254-MI, 2-1451-MI, 2-1747-MI, 2-1748-MI, 2-2016-H

Dim: 8mm T x 24mm W x 18mm L x 38mm LL

Note: Without clip, used w/ 68-8309 brush

Features:

- Premium Quality

68-8308-3
Brush - Field
12 Volt

Same as 68-8308 except...

Features:

- Best Value



68-8308-1
Brush - Field
12 Volt

Same as 68-8308 except...

Note: With clip

Features:

- Premium Quality



68-8309
Brush - Ground
12 Volt

For: Hitachi OSGR; Mitsubishi OSGR, PLGR Starters

Used On: (2000-82) Dodge, Ford, Mazda, Mitsubishi, Nissan (Diesel); John Deere, Massey Ferguson, Mitsubishi-Fuso

Replaces: Isuzu 5-81115-025-0, Nissan 23379-J5500, Yanmar X-21305312

Unit Nos: Hitachi S13-33A, -33B, -34A, -36, -40, -40A, -41, -41A, -45, -45A, -45B, -46, -46A, -50, -50A, -56, -56A, -60, -78; Mitsubishi M2T60071, 072, 073, 171, 185, 271, 371; M2T92071, 271; M3T66072, 073, 074; M3T90071, 072; M8T50071, 171, 172

Lester Nos: 16733, 16744, 16771, 16772, 16799, 16818, 16854, 16857, 17036, 17037, 17081, 17577, 17578, 18052, 18053, 18204, 18291

WAI Ref. Nos: 2-1088-HI, 2-1091-HI, 2-1138-MI, 2-1143-MI, 2-1170-MI, 2-1249-MI, 2-1254-MI, 2-1451-MI, 2-1747-MI, 2-1748-MI, 2-2016-H

Dim: 8mm T x 24mm W x 18mm L x 38mm LL

Note: Used w/ 68-8308 field brush

Features:

- Premium Quality

68-8309-3
Brush - Ground
12 Volt

Same as 68-8309 except...

Features:

- Best Value



68-8310
Brush
12 Volt

For: Mitsubishi OSGR Starters

Used On: (1994-86) Buick, Mazda, Oldsmobile

Replaces: Ref# FA-112

Unit Nos: Delco 1998518, 1998545, 10455706; Mitsubishi M1T50371, M1T50471, M1T50671

Lester Nos: 16868, 17172

WAI Ref. Nos: 2-1153-MI, 2-1408-MI

Dim: 7mm T x 14mm W x 15.5mm L x 28mm LL



68-8311
Brush - Field
12 Volt

For: Mitsubishi PMGR Starters

Used On: (2000-85) AMC, Chevrolet, Dodge, Eagle, Geo, Infiniti, Jeep, Mazda, Subaru, Suzuki

Unit Nos: Mitsubishi M1T74081, M1T74181, M1T74281, M1T74381, M1T74481, M1T74482, M1T74581, M1T74583, M1T74781, M1T75281, M1T75283, M1T75381, M1T75681, M1T76281, M1T95081

Lester Nos: 16889, 16932, 17006, 17046, 17133, 17142, 17175, 17180, 17194, 17206, 17599

WAI Ref. Nos: 2-1145-MI, 2-1150-MI, 2-1189-MI, 2-1209-MI, 2-1223-MI, 2-1232-MI, 2-1234-MI, 2-1239-MI, 2-1844-MI

Dim: 4.5mm T x 18mm W x 17mm L x 49mm LL

Note: Used w/ 68-8314 brush

STARTER - BRUSHES (68-)

MITSUBISHI (cont'd.)



68-8312
Brush - Field
12 Volt

For: Mando, Mitsubishi PMGR Starters
Used On: (2005-85) Chevrolet, Chrysler, Dodge, Eagle, Ford, Geo, Hyundai, Infiniti, Jeep, Mazda, Mercury, Mitsubishi, Nissan, Plymouth, Subaru, Suzuki; Caterpillar, Clark
Lester Nos: 16874, 16888, 16900, 16930, 16931, 16933, 16939, 16998, 17046, 17131, 17132, 17142, 17146, 17151, 17161, 17166, 17167, 17185, 17192, 17214, 17217, 17246, 17266, 17461, 17469, 17470, 17478, 17479, 17480, 17505, 17514, 17539, 17557, 17559, 17561, 17564, 17566, 17686, 17708
Dim: 4.5mm T x 12mm W x 17mm L x 56mm LL, Motor Lead 71mm L
Note: 17mm L.
For 15mm L version use 68-8312-1.
Used w/ 68-8315 brush.

Features:
• Premium Quality

68-8312-3
Brush - Field
12 Volt

Same as 68-8312 except...
Note: 17mm L.
Features:
• Best Value

68-8312-1
Brush - Field
12 Volt

Same as 68-8312 except...
Note: 15mm L.
Features:
• Premium Quality



68-8313
Brush - Field
12 Volt

For: Mitsubishi PMGR Starters
Used On: (2000-89) Dodge, Mazda, Mitsubishi, Nissan
Unit Nos: Mitsubishi M1T60081, M1T60281, M1T71381, M1T72581, M1T72583, M1T72583G, M1T72681, M1T73281, M1T73283, M1T77881, M1T78981, M1T79081
Lester Nos: 17131, 17151, 17167, 17221, 17425, 17448
WAI Ref. Nos: 2-1121-MI, 2-1151-MI, 2-1176-MI, 2-1182-MI
Dim: 4.5mm T x 12mm W x 17mm L x 64mm LL, Motor Lead 48mm L
Note: Used w/ 68-8315 brush
Features:
• Premium Quality

68-8313-3
Brush - Field
12 Volt

Same as 68-8313 except...
Features:
• Best Value



68-8314
Brush - Ground
12 Volt

For: Mitsubishi PMGR Starters
Used On: (2002-85) AMC, Chevrolet, Dodge, Eagle, Ford, Geo, Infiniti, Jeep, Mazda, Subaru, Suzuki
Unit Nos: Mitsubishi M1T74081, M1T74181, M1T74281, M1T74283, M1T74381, M1T74481, M1T74482, M1T74581, M1T74583, M1T74781, M1T74781A, M1T75181, M1T75281, M1T75283, M1T75381, M1T75581, M1T75681, M1T76081, M1T76281
Lester Nos: 16889, 16932, 17006, 17046, 17133, 17142, 17175, 17180, 17194, 17206, 17467, 17470, 17541
WAI Ref. Nos: 2-1145-MI, 2-1150-MI, 2-1189-MI, 2-1209-MI, 2-1223-MI, 2-1232-MI, 2-1234-MI, 2-1239-MI, 2-1546-MI, 2-1547-MI
(cont'd.)

(cont'd.)
Dim: 4.5mm T x 18mm W x 17mm L x 34mm LL
Note: Used w/ 68-8311, 68-8317 brushes
Features:
• Premium Quality

68-8314-3
Brush - Ground
12 Volt

Same as 68-8314 except...
Features:
• Best Value



68-8315
Brush - Ground
12 Volt

For: Mando, Mitsubishi PMGR Starters
Used On: (2005-85) Chevrolet, Chrysler, Dodge, Eagle, Ford, Geo, Hyundai, Infiniti, Jeep, Mazda, Mercury, Mitsubishi, Nissan, Plymouth, Subaru, Suzuki; Caterpillar, Clark
Lester Nos: 16874, 16888, 16900, 16930, 16931, 16933, 16939, 16998, 17046, 17131, 17132, 17142, 17146, 17151, 17161, 17166, 17167, 17185, 17192, 17214, 17217, 17221, 17246, 17266, 17425, 17448, 17451, 17461, 17469, 17470, 17478, 17479, 17480, 17505, 17514, 17539, 17557, 17559, 17561, 17564, 17566, 17599, 17686, 17689, 17708, 17795
Dim: 4.5mm T x 12mm W x 17mm L x 35mm LL
Note: 17mm L.
For 15mm L version use 68-8315-1.
Used w/ 68-8312 or 68-8313 brushes.
Features:
• Premium Quality

68-8315-3
Brush - Ground
12 Volt

Same as 68-8315 except...
Note: 17mm L.
Features:
• Best Value

68-8315-1
Brush - Ground
12 Volt

Same as 68-8315 except...
Note: 15mm L.
Features:
• Premium Quality

68-8315-4
Brush - Ground
12 Volt

Same as 68-8315 except...

Note: 15mm L.

Features:

- Best Value



68-8317
Brush - Field
12 Volt

For: Mitsubishi PMGR Starters

Used On: (1998-89) Jeep, Mazda

Replaces: Mazda JE16-18-X66

Unit Nos: Chrysler 56004934, 56027317; Jeep-Eagle 33002709, Mazda JE16-18-400;

Mitsubishi M1T74283, M1T75181, M1T76081

Lester Nos: 17006, 17133, 17175, 17467

WAI Ref. Nos: 2-1150-MI, 2-1232-MI, 2-1547-MI

Dim: 4.5mm T x 18mm W x 17mm L x 94mm LL

Note: Used w/ 68-8314 brush

Features:

- Premium Quality

68-8317-3
Brush - Field
12 Volt

Same as 68-8317 except...

Features:

- Best Value



68-8318
Brush - Field
12 Volt

For: Mitsubishi OSGR Starters

Used On: (1994-81) Audi, Clark, Dodge, Mazda, Mitsubishi, Nissan, Plymouth;

Bobcat, Clark, Ford Tractor, Gehl, IHC, Ingersoll-Rand, Perkins Engine, Toro

Lester Nos: 16584, 16717, 16720, 16780, 16803, 16816, 16855, 16866, 16875, 16982, 17110, 17173, 17178

WAI Ref. Nos: 2-1082-MI, 2-1104-MI, 2-1105-MI, 2-1108-MI, 2-1119-MI, 2-1137-MI, 2-1154-MI, 2-1167-MI, 2-1172-MI, 2-1363-MI, 2-1438-MI, 2-1454-MI, 2-1550-MI, 2-1612-MI, 2-1780-MI

Dim: 7mm T x 12mm W x 16mm L x 30mm LL

Note: With clip, used w/ 68-8206 brush



68-8319
Brush - Ground
12 Volt

For: Mitsubishi PMDD Starters

Used On: (1985) Dodge, Mitsubishi, Plymouth

Unit Nos: Mitsubishi M2T40081

Lester Nos: 16941

WAI Ref. Nos: 2-1166-MI

Dim: 4.5mm T x 10mm W x 17mm L x 30mm LL



68-8320
Brush
24 Volt

For: Mitsubishi 6.0kW OSGR Starters

Used On: Kobelco America

Unit Nos: Mitsubishi M5T50076, M5T50085, M5T50176, M5T50177, M5T50275, M5T50276

WAI Ref. Nos: 2-2091-MI

Dim: 9mm T x 29.5mm W x 23mm L x 45mm LL



68-8321
Brush
12 Volt

For: Mitsubishi PMGR Starters

Used On: (2005-95) Chrysler, Dodge, Jeep, Mitsubishi, Nissan

Unit Nos: Mitsubishi M0T60081, M0T80281, M0T80581, M0T85081, M1T60285, M1T74287, M1T84181

Lester Nos: 17006, 17425, 17685, 17688, 17726, 17734, 17740

WAI Ref. Nos: 2-1121-MI, 2-1232-MI, 2-1847-MI, 2-1862-MI, 2-1864-MI, 2-1936-MI, 2-1950-MI

Dim: 4.2mm T x 11.8mm W x 12.3mm L x 27mm LL

Note: Used w/ 68-8322 brush

STARTER - BRUSHES (68-)

MITSUBISHI (cont'd.)



68-8322
Brush
12 Volt

For: Mitsubishi PMGR Starters

Used On: (2000-95) Jeep, Nissan

Unit Nos: Mitsubishi M0T60081, M0T85081, M1T60285, M1T74287

Lester Nos: 17006, 17425, 17685, 17740

WAI Ref. Nos: 2-1121-MI, 2-1232-MI, 2-1847-MI, 2-1936-MI

Dim: 4.2mm T x 11.8mm W x 12.3mm L x 60mm LL

Note: Used w/ 68-8321 brush



68-83800
Brush Kit - Field
12 Volt

For: Mitsubishi OSGR, PLGR Starters

Used On: (2000-85) Ford 6.9L, 7.3L (Diesel)

Unit Nos: Mitsubishi M3T90071, M3T90072, M8T50071, M8T50171

Lester Nos: 17037, 17577, 17578

WAI Ref. Nos: 2-1254-MI, 2-1747-MI, 2-1748-MI

Dim: 8mm T x 24mm W x 18mm L x 38mm LL

Note: With clip

Components:

68-8308-1 Brush

72-83102 Insulator

Features:

- Premium Quality

68-83800-3
Brush Kit - Field
12 Volt

Same as 68-83800 except...

Features:

- Best Value

NIKKO



68-8404
Brush - Ground
24 Volt

For: Nikko 2.8kW OSGR Starters

Used On: Komatsu

Unit Nos: Nikko 0-23000-0060, 0-23000-0100, 0-23000-0180, 0-23000-0183, 0-23000-0240, 0-23000-0272, 0-23000-0330, 0-23000-0332, 0-23000-0450

Dim: 7mm T x 25mm W x 15.5mm L x 28mm LL



68-8405
Brush
24 Volt

For: Nikko 7.4kW, 7.5kW DD Starters

Used On: Komatsu

Unit Nos: Nikko 0-21000-3390, 0-21000-3391, 0-21000-3411, 0-21000-4740, 0-21000-4880, 0-21000-5080

Dim: 10mm T x 20mm W x 24mm L x 50mm LL

Note: Used w/ 68-8406 brush



68-8406
Brush
24 Volt

For: Nikko 7.4kW, 7.5kW DD Starters

Used On: Komatsu

Unit Nos: Nikko 0-21000-3390, 0-21000-3391, 0-21000-3411, 0-21000-4740, 0-21000-4880, 0-21000-5080

Dim: 10mm T x 20mm W x 24mm L x 50mm LL

Note: Used w/ 68-8405 brush



68-8407
Brush
24 Volt

For: Nikko 3.7kW, 5.5kW DD Starters

Used On: Komatsu, Teledyne Continental

Unit Nos: Nikko 0-21000-3650, 0-21000-3651, 0-21000-4132

Dim: 9mm T x 20mm W x 23.5mm L x 50mm LL



68-8408
Brush - Ground
24 Volt

For: Nikko 4.5kW OSGR Starters

Used On: Isuzu, Kobelco America

Unit Nos: Nikko 0-23000-1030, 0-23000-1031, 0-23000-1050, 0-23000-1070, 0-23000-1071, 0-23000-1080, 0-23000-1310, 0-23000-1700

WAI Ref. Nos: 2-1951-NK

Dim: 8mm T x 25mm W x 21.5mm L x 34mm LL

M4 x 0.7 Thread

Note: Used w/ 68-8409 brush



68-8409
Brush - Field
24 Volt

For: Nikko 4.5kW OSGR Starters
Used On: Isuzu, Kobelco America
Unit Nos: Nikko 0-23000-1030, 0-23000-1031, 0-23000-1050, 0-23000-1070, 0-23000-1071, 0-23000-1080, 0-23000-1310, 0-23000-1700
WAI Ref. Nos: 2-1951-NK
Dim: 8mm T x 25mm W x 21.5mm L x 44mm LL
Note: Used w/ 68-8408 brush



68-8410
Brush
24 Volt

For: Nikko 7.5kW OSGR Starters
Used On: Komatsu
Unit Nos: Nikko 0-23000-6091, 0-23000-6210, 0-23000-6232, 0-23000-6250, 0-23000-6310, 0-23000-6340, 0-23000-6341, 0-23000-6510, 0-23000-6520, 0-23000-6523, 0-23000-6524, 0-23000-6530, 0-23000-6531, 0-23000-6610, 0-23000-6710, 0-23000-7000, 0-23000-7020, 0-23000-7292
WAI Ref. Nos: 2-2018-NK
Dim: 9mm T x 29.5mm W x 22.5mm L x 44mm LL
Features:
 • Premium Quality

68-8410-3
Brush
24 Volt

Same as 68-8410 except...
Features:
 • Best Value

NIPPONDENSO

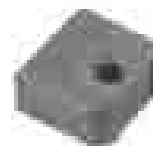


68-8200
Brush
12 Volt

For: Nippondenso 1.0kW, 1.4kW OSGR Starters w/ Internal Thru Bolts
Used On: (2002-72) Acura, Chevrolet, Chrysler, Dodge, Geo, Honda, Isuzu, Lexus, Plymouth, Subaru, Toyota; Bobcat, Caterpillar, Kubota
Replaces: Ref# FA-107
Lester Nos: 16236, 248, 249, 251, 578, 585, 586, 600, 657, 672, 674, 696, 737, 739, 758, 759, 760, 790, 800, 823, 829, 831, 834, 835, 837, 906, 978, 979; 17002, 003, 020, 084, 091, 100, 117, 125, 129, 143, 169, 197, 202, 216, 242, 255, 256, 259, 263, 273, 400, 424, 466, 481, 485, 493, 516, 519, 523, 526, 529, 532, 546, 573, 619
Dim: 7mm T x 16mm W x 14mm L x 36mm LL
Note: Same as 68-8211, 68-8212 except 68-8200 wo/ clip.
 For shuntless version use 68-8201 brush.
Features:
 • Premium Quality

68-8200-3
Brush
12 Volt

Same as 68-8200 except...
Features:
 • Best Value



68-8201
Brush
12 Volt

For: Nippondenso 1.0kW, 1.4kW OSGR Starters
Replaces: Ref# FA-107H
Lester Nos: 16248, 251, 578, 586, 600, 612, 674, 676, 696, 730, 736, 737, 739, 759, 760, 761, 786, 790, 802, 821, 823, 825, 826, 827, 828, 829, 831, 833, 834, 837, 839, 878, 884, 892, 893, 895, 905, 906, 913, 960, 978, 979; 17002, 003, 007, 020, 083, 084, 091, 125, 129, 143, 170, 171, 197, 202, 216, 242, 251, 254, 255, 256, 259, 263, 264, 273, 274, 297, 298, 420, 421, 422, 423, 466, 481, 483, 485, 487, 493, 494, 495, 516, 517, 519, 520, 521, 523, 524, 525, 526, 529, 530, 532, 534, 546, 549, 562, 573, 574, 579, 666, 668, 681, 682, 700, 707, 715, 727, 735, 747, 774, 791, 791
Dim: 7mm T x 16mm W x 14mm L
Features:
 • Hole sprayed w/ copper



68-8202
Brush
12 Volt

For: Nippondenso DD Starters
Used On: (1986-70) Chrysler, Dodge, Ford, Plymouth, Subaru, Toyota; Kubota
Replaces: Ref# FA-71
Lester Nos: 16217, 16220, 16222, 16224, 16230, 16238, 16245, 16254, 16261, 16264, 16272, 16417, 16418, 16468, 16626, 16677, 16704, 16712, 16788, 16804, 16974, 17015
WAI Ref. Nos: 2-1023-ND, 2-1028-ND, 2-1031-ND, 2-1130-ND, 2-1133-ND, 2-1204-ND, 2-1205-ND, 2-1251-ND, 2-1252-ND, 2-1380-ND, 2-1384-ND, 2-1395-ND, 2-1396-ND, 2-1422-ND, 2-1423-ND, 2-1435-ND, 2-1624-ND
Dim: 7mm T x 12mm W x 14.5mm L x 36mm LL

STARTER - BRUSHES (68-)

NIPPONDENSO (cont'd.)



68-8203
Brush
12 Volt

For: Nippondenso 1.0kW DD Starters
Used On: (1980-70) Toyota
Replaces: Ref# FA-60
Unit Nos: Nippondenso 028000-305, 028000-371, 028000-384, 028000-392, 028000-642
Lester Nos: 16222, 16230, 16238, 16264
WAI Ref. Nos: 2-1023-ND, 2-1423-ND
Dim: 6.5mm T x 12mm W x 19mm L x 38mm LL



68-8204
Brush
12 Volt

For: Nippondenso 4.0kW DD Starters
Used On: Allis-Chalmers, Case, Caterpillar, Hino, Isuzu, John Deere, Onan
Replaces: Ref# FA-91
Unit Nos: Nippondenso 028000-329, 028000-365, 028000-393, 028000-397, 028000-487, 028000-493, 028000-504, 028000-592, 028000-596, 028000-692, 028000-743, 128000-026, 128000-077, 128000-200, 128000-369, 128000-434
Lester Nos: 16641, 16643
WAI Ref. Nos: 2-2028-ND, 2-2044-ND
Dim: 9mm T x 30mm W x 21.5mm L x 40mm LL
Features:
 • Premium Quality

68-8204-3
Brush
12 Volt

Same as 68-8204 except...
Features:
 • Best Value



68-8206
Brush
12 Volt

For: Mitsubishi OSGR; Nippondenso DD Starters
Used On: (1994-70) Audi, Dodge, Ford, Mazda, Mitsubishi, Nissan, Plymouth, Subaru, Toyota; Bobcat, Clark, Ford Tractor, Gehl, IHC, Ingersoll-Rand, Kubota, Mitsubishi Tractor, Nissan Lift Truck, Onan, Perkins, Toro
Replaces: Ref# FA-99
Lester Nos: 16215, 16217, 16218, 16222, 16245, 16258, 16260, 16468, 16582, 16584, 16626, 16717, 16720, 16780, 16788, 16803, 16816, 16855, 16866, 16875, 16935, 16982, 17110, 17173, 17178, 17332
Dim: 7mm T x 12mm W x 16mm L x 38mm LL

Note: Used w/ 68-8318 brush on Mitsubishi starters
Features:
 • Premium Quality

68-8206-3
Brush
12 Volt

Same as 68-8206 except...
Features:
 • Best Value



68-8207
Brush - Field
12-24 Volt

For: Nippondenso 2.5kW, 4.5kW OSGR Starters
Used On: (2000-81) Dodge, Toyota; Allis-Chalmers, Case, Caterpillar, Cummins, Daihatsu, Hino, Isuzu, John Deere, Komatsu, Kubota, Mitsui-Deutz, Perkins, Teledyne, Toyota Lift Truck, Versatile, White, Yanmar
Lester Nos: 16614, 16656, 16658, 16824, 16830, 16967, 16981, 16990, 17302, 17362, 17548
 (cont'd.)

(cont'd.)

WAI Ref. Nos: 2-1037-ND, 2-1047-ND, 2-1526-ND, 2-1726-ND, 2-1730-ND, 2-1731-ND, 2-1739-ND, 2-1750-ND, 2-1752-ND, 2-1753-ND, 2-1754-ND, 2-2104-ND, 2-2105-ND, 2-2106-ND
Dim: 8mm T x 25mm W x 21mm L x 40mm LL

Note: Without clip

Features:

- Premium Quality
- Improved design w/ metal plate on brush to prevent brush spring from slipping

68-8207-3
Brush - Field
12-24 Volt

Same as 68-8207 except...

Features:

- Best Value



68-8207-1
Brush - Field
12-24 Volt

Same as 68-8207 except...

Note: With clip

Features:

- Premium Quality
- Improved design w/ metal plate on brush to prevent brush spring from slipping



68-8208
Brush - Field
12 Volt

For: Nippondenso 2.0kW OSGR Starters
Used On: (1996-81) Chevrolet, Dodge, GMC, Isuzu, Lexus, Toyota; Allis-Chalmers, Caterpillar, Komatsu, Kubota, Mitsui-Deutz, Thermo King
Replaces: Ref# FA-133
Unit Nos: Nippondenso 028000-700, -737, -766, -774, -779, -813, -837, -876, -903, -983; -002, -004, -057, -096, -104, -207, -216, -228, -288, -310, -640, -650, -730, -738; 228000-024, -040, -219, -297
Lester Nos: 16739, 16822, 17189, 17547
 (cont'd.)

(cont'd.)

WAI Ref. Nos: 2-1046-ND, 2-1075-ND, 2-1193-ND, 2-1716-ND, 2-1744-ND

Dim: 8mm T x 25mm W x 14.5mm L x 40mm LL

Note: Without clip, used w/ 68-8225 brush



68-8208-1
Brush - Field
12 Volt

Same as 68-8208 except...

Note: With clip



68-8209
Brush
12 Volt

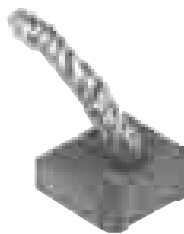
For: Mando, Mitsubishi, Nippondenso DD Starters

Used On: (2002-80) Chevrolet, Daihatsu, Dodge, Eagle, Ford, Geo, Honda, Hyundai, Isuzu, Kia, Mazda, Mercury, Mitsubishi, Nissan, Plymouth, Subaru, Suzuki, Toyota; Carrier, Ford Tractor, John Deere, Kohler, Komatsu, Kubota, Lincoln Electric, Mitsubishi Lift Truck, Nissan Lift Truck, Onan, Woods, Yale

Lester Nos: 16215, 218, 222, 245, 468, 514, 527, 579, 707, 708, 711, 728, 729, 734, 735, 741, 742, 766, 774, 775, 793, 794, 804, 832, 838, 843, 856, 858, 859, 880, 883, 910, 911, 912, 922, 938, 940, 966, 971; 17000, 010, 057, 058, 147, 152, 181, 212, 248, 270, 288, 354, 580, 662, 684, 704, 732, 733

Dim: 6.5mm T x 10mm W x 16.5mm L x 30mm LL

Note: Used w/ 68-8305 brush on Mitsubishi starters



68-8210
Brush - Ground
12 Volt

For: Nippondenso OSGR Starters

Used On: (2005-72) Acura, Cadillac, Chevrolet, Chrysler, Daihatsu, Dodge, Geo, Honda, Isuzu, Lexus, Plymouth, Subaru, Toyota; Bobcat, Carrier, Caterpillar, Ford New Holland, Harley-Davidson, Ishikawajima, Isuzu, John Deere, Kubota, Teledyne Continental, Thermo King, Toyota Lift Truck, Yanmar

Lester Nos: 16248, 251, 585, 586, 600, 612, 657, 676, 730, 736, 737, 746, 761, 763, 786, 790, 800, 802, 821, 823, 825, 826, 827, 828, 829, 831, 833, 834, 835, 837, 849, 878, 884, 891, 892, 893, 895, 905, 906, 913, 960, 979; 17002, 003, 007, 020, 050, 083, 084, 091, 117, 125, 129, 143, 155, 170, 171, 197, 202, 216, 242, 251, 254, 255, 256, 259, 263, 264, 265, 273, 298, 400, 420, 421, 422, 423, 424, 457, 466, 481, 483, 485, 487, 493, 494, 495, 516, 517, 519, 520, 521, 523, 524, 525, 526, 529, 530, 532, 534, 546, 549, 562, 573, 574, 579, 619, 666, 668, 681, 682, 700, 707, 715, 727, 735, 747, 774, 791

Dim: 7mm T x 16mm W x 14mm L x 25mm LL

Note: Without clip, used w/ 68-8219 brush.

For version w/ clip use 68-8210-1.

For shuntless version use 68-8201 brush.

Features:

- Premium Quality

68-8210-3
Brush - Ground
12 Volt

Same as 68-8210 except...

Features:

- Best Value



68-8210-1
Brush - Ground
12 Volt

Same as 68-8210 except...

Note: With clip

Features:

- Premium Quality



68-8211
Brush - Ground
12 Volt

For: Nippondenso 1.0kW, 1.4kW Early OSGR Starters w/ Internal Thru Bolts

Used On: (1983-72) Honda, Subaru, Toyota; Carrier, Caterpillar, Ishikawajima, Isuzu, John Deere, Kohler, Kubota, Thermo King, Yanmar

Lester Nos: 16236, 16248, 16249, 16251, 16578, 16585, 16586, 16600, 16672, 16674, 16696, 16758, 16759, 16760, 17100, 17169

WAI Ref. Nos: 2-1005-ND, 2-1007-ND, 2-1024-ND, 2-1025-ND, 2-1026-ND, 2-1029-ND, 2-1036-ND, 2-1206-ND, 2-1415-ND, 2-1439-ND, 2-1737-ND, 2-1742-ND, 2-1960-ND, 2-2131-ND

Dim: 7mm T x 16mm W x 14mm L x 36mm LL

Note: Same as 68-8200 except w/ clip. For shuntless version use 68-8201 brush.

STARTER - BRUSHES (68-)

NIPPONDENSO (cont'd.)



68-8212
Brush - Field
12 Volt

For: Nippondenso 1.4kW Early OSGR Starters w/ Internal Thru Bolts

Used On: (1988-72) Chevrolet, Honda, Subaru, Toyota; Carrier, Caterpillar, Ishikawajima, Isuzu, John Deere, Kohler, Kubota, Thermo King, Yanmar

Lester Nos: 16236, 16248, 16249, 16251, 16578, 16585, 16586, 16600, 16672, 16674, 16696, 16758, 16759, 16760, 17100, 17143, 17169

WAI Ref. Nos: 2-1005-ND, 2-1007-ND, 2-1024-ND, 2-1025-ND, 2-1026-ND, 2-1029-ND, 2-1036-ND, 2-1206-ND, 2-1243-ND, 2-1415-ND, 2-1439-ND, 2-1737-ND, 2-1742-ND, 2-1960-ND, 2-2131-ND

Dim: 7mm T x 16mm W x 14mm L x 36mm LL

Note: Same as 68-8200 except w/ clip. For shuntless version use 68-8201 brush.



68-8214
Brush - Ground
12 Volt

For: Nippondenso 1.2kW OSGR Starters

Used On: (2002-90) Acura, Chrysler, Dodge, Eagle, Geo, Honda, Isuzu, Plymouth, Toyota; Harley-Davidson

Unit Nos: Nippondenso 128000-701, 128000-712, 128000-756, 128000-771, 128000-822, 128000-845, 128000-878, 128000-938, 128000-975, 228000-036, 228000-047, 228000-071, 228000-090, 228000-162, 228000-255, 228000-301, 228000-303, 228000-328, 228000-399, 228000-631, 228000-642, 228000-720

Lester Nos: 16878, 17197, 17202, 17204, 17240, 17285, 17460, 17464, 17465, 17526, 17531, 17536, 17537, 17570, 17571, 17584, 17737

(cont'd.)

(cont'd.)

WAI Ref. Nos: 2-1197-ND, 2-1202-ND, 2-1203-ND, 2-1399-ND, 2-1401-ND, 2-1527-ND, 2-1528-ND, 2-1585-ND, 2-1695-ND, 2-1697-ND, 2-1698-ND, 2-1706-ND, 2-1821-ND, 2-1823-ND, 2-1827-ND, 2-1931-ND, 2-1944-ND

Dim: 7mm T x 13mm W x 15.5mm L x 22mm LL

Note: Used w/ 68-8215 brush



68-8215
Brush - Field
12 Volt

For: Nippondenso 1.2kW OSGR Starters

Used On: (2005-90) Acura, Chrysler, Dodge, Eagle, Geo, Honda, Isuzu, Lexus, Plymouth, Subaru, Toyota; Harley-Davidson

Unit Nos: Nippondenso 128000-701, 128000-712, 128000-756, 128000-771, 128000-822, 128000-831, 128000-845, 128000-878, 128000-938, 128000-975, 228000-036, 228000-071, 228000-082, 228000-090, 228000-107, 228000-162, 228000-255, 228000-301, 228000-303, 228000-328, 228000-399, 228000-567, 228000-627, 228000-631, 228000-642, 228000-713, 228000-720, 228000-740

Lester Nos: 16878, 16888, 17170, 17197, 17202, 17204, 17240, 17285, 17460, 17464, 17526, 17531, 17536, 17537, 17570, 17571, 17584, 17687, 17707, 17716, 17737, 17777, 17791

Dim: 7mm T x 13mm W x 15.5mm L x 29mm LL

Note: Without clip, used w/ 68-8214 brush

Features:

- Premium Quality

68-8215-3
Brush - Field
12 Volt

Same as 68-8215 except...

Features:

- Best Value



68-8216
Brush - Ground
12 Volt

For: Nippondenso 3.0kW, 5.5kW OSGR Starters

Used On: (1993-89) Chevrolet, Dodge; Case, Caterpillar, Cummins, GMC Truck, Isuzu Truck

Replaces: Hino 28142-1520A, Isuzu 1-81116-049-0

Unit Nos: Nippondenso 128000-049, -245, -247, -256, -274, -422, -468, -491, -537, -551, -562, -572, -573;

228000-331, -332, -500, -573, -700

Lester Nos: 16881, 17199, 17215, 17306, 17391, 17600, 17611, 17614, 17615, 17616, 18155, 18156, 18342, 18407

WAI Ref. Nos: 2-1397-ND, 2-1745-ND, 2-1751-ND, 2-2122-ND, 2-2222-ND, 2-2263-ND

Dim: 10mm T x 30mm W x 20mm L x 32mm LL

Note: Used w/ 68-8217 field brush

Features:

- Premium Quality

68-8216-3
Brush - Ground
12 Volt

Same as 68-8216 except...

Features:

- Best Value



68-8217
Brush - Field
12 Volt

For: Nippondenso 3.0kW, 5.5kW OSGR Starters

Used On: (1993-89) Chevrolet, Dodge; Case, Caterpillar, Cummins, GMC Truck, Isuzu Truck

(cont'd.)

(cont'd.)

Unit Nos: Nippondenso 128000-049, 128000-245, 128000-247, 128000-256, 128000-274, 128000-422, 128000-468, 128000-491, 128000-537, 128000-551, 128000-562, 128000-572, 128000-573, 228000-331, 228000-332, 228000-573, 228000-585

Lester Nos: 16881, 17215, 17391

WAI Ref. Nos: 2-1397-ND, 2-1745-ND, 2-1751-ND

Dim: 10mm T x 30mm W x 20mm L x 32mm LL

Note: Used w/ 68-8216 ground brush

Features:

- Premium Quality

68-8217-3
Brush - Field
12 Volt

Same as 68-8217 except...

Features:

- Best Value



68-8219
Brush - Field
12 Volt

For: Nippondenso 1.0kW, 1.2kW, 1.4kW, 1.6kW OSGR Starters

Used On: (2005-84) Acura, Cadillac, Chevrolet, Chrysler, Daihatsu, Dodge, Geo, Honda, Isuzu, Lexus, Plymouth, Sterling, Subaru, Toyota; Bobcat, Carrier, Caterpillar, Ford New Holland, Geo, Harley-Davidson, Kubota, Teledyne Continental, Thermo King, Toyota Lift Truck, Yanmar

Lester Nos: 16802, 831, 839, 884, 905, 960, 978; 17020, 083, 125, 197, 202, 216, 242, 256, 259, 263, 273, 274, 297, 400, 422, 423, 424, 466, 481, 485, 493, 494, 516, 517, 519, 523, 524, 525, 526, 529, 530, 532, 534, 546, 549, 562, 573, 574, 579, 668, 700, 707, 715, 727, 735, 747, 774

Dim: 7mm T x 16mm W x 14mm L x 30mm LL

Note: With clip.

For version wo/ clip use 68-8219-1.



68-8219-1
Brush - Field
12 Volt

Same as 68-8219 except...

Note: Without clip.



68-8220
Brush
12 Volt

For: Nippondenso 0.8kW, 1.0kW PLGR Starters

Used On: (2005-89) Chevrolet, Geo, Honda, Isuzu, Suzuki, Toyota; Link-Belt Construction

Replaces: Isuzu 8-94377-262-0, Kubota 14958-63041, Mitsubishi Motors MD604798, Toyota 28142-70020

Unit Nos: Nippondenso 128000-568, -621, -642, -740, -853, -889, -920; 228000-347, 228000-402, -403, -540, -591, -646, -673, -675, -676, -8330, -854, -855; 428000-032

Lester Nos: 17142, 17203, 17252, 17253, 17679, 17680, 17703, 17803, 17805, 17806, 17845

WAI Ref. Nos: 2-1189-ND, 2-1201-ND, 2-1543-ND, 2-1544-ND, 2-1693-ND, 2-1839-ND, 2-1840-ND, 2-1841-ND, 2-1958-ND, 2-1959-ND, 2-2050-ND, 2-2057-ND, 2-2058-ND, 2-2331-ND

Dim: 6mm T x 13mm W x 13.5mm L x 21mm LL

Note: Without clip

Features:

- Premium Quality

68-8220-3
Brush
12 Volt

Same as 68-8220 except...

Features:

- Best Value



68-8220-1
Brush
12 Volt

Same as 68-8220 except...

Note: With clip

Features:

- Premium Quality



68-8222
Brush
12 Volt

For: Nippondenso DD Starters

Used On: (1989-86) Isuzu; John Deere, Kohler

Unit Nos: Nippondenso 128000-289, 128000-402, 128000-427, 128000-429, 128000-452, 128000-470, 128000-480, 128000-715, 128000-716, 128000-748, 128000-774, 128000-854, 128000-936, 228000-221, 228000-264, 228000-312, 228000-462

Lester Nos: 16879, 17187

WAI Ref. Nos: 2-1433-ND, 2-2022-ND, 2-2035-ND

Dim: 6mm T x 8mm W x 10mm L x 30mm LL

Note: With clip

Features:

- Premium Quality

68-8222-3
Brush
12 Volt

Same as 68-8222 except...

Note: With clip

Features:

- Best Value

STARTER - BRUSHES (68-)

NIPPONDENSO (cont'd.)



68-8223
Brush
12-24 Volt

For: Nippondenso DD Starters
Unit Nos: Nippondenso 128000-492, 128000-606, 128000-607, 128000-608, 128000-726, 128000-751, 128000-752, 128000-753, 128000-754, 128000-765, 128000-858, 228000-003, 228000-004, 228000-005, 228000-007, 228000-008, 228000-009
WAI Ref. Nos: 2-1762-ND, 2-1961-ND
Dim: 10mm T x 40mm W x 25mm L x 36mm LL



68-8224
Brush
12-24 Volt

For: Nippondenso DD Starters
Used On: Case, Caterpillar, Cummins, Hino, IHC, John Deere, Kubota
Unit Nos: Nippondenso 028000-525, 128000-048, 128000-533, 128000-591, 128000-597, 128000-702, 128000-717, 128000-723, 128000-724, 128000-725, 128000-757, 128000-969, 128000-980, 128000-982, 228000-010, 228000-136, 228000-138, 228000-139, 228000-140, 228000-236, 228000-237, 228000-469
Lester Nos: 16655, 17371
WAI Ref. Nos: 2-1763-ND, 2-1962-ND, 2-2043-ND, 2-2045-ND
Dim: 9mm T x 30mm W x 24mm L x 38mm LL
Features:
 • Premium Quality

68-8224-3
Brush
12-24 Volt

Same as 68-8224 except...
Features:
 • Best Value



68-8225
Brush - Ground
12 Volt

For: Nippondenso 2.0kW OSGR Starters
Used On: (1996-81) Chevrolet, Dodge, GMC, Isuzu, Lexus, Toyota; Allis-Chalmers, Caterpillar, Komatsu, Kubota, Mitsui-Deutz, Thermo King
Unit Nos: Nippondenso 028000-700, 028000-737, 028000-766, 028000-774, 028000-779, 028000-813, 028000-837, 028000-876, 028000-903, 028000-983, 128000-002, 128000-004, 128000-057, 128000-096, 128000-104, 128000-207, 128000-216, 128000-228, 128000-288, 128000-310, 128000-640, 128000-650, 128000-730, 128000-738, 228000-024, 228000-040, 228000-069, 228000-219, 228000-297

Lester Nos: 16739, 16822, 17189, 17547

WAI Ref. Nos: 2-1046-ND, 2-1075-ND, 2-1193-ND, 2-1716-ND, 2-1744-ND

Dim: 8mm T x 25mm W x 14.5mm L x 28mm LL

Note: Used w/ 68-8208 field brush

Features:
 • Premium Quality

68-8225-3
Brush - Ground
12 Volt

Same as 68-8225 except...

Features:
 • Best Value



68-8226
Brush
12 Volt

For: Nippondenso 1.8kW, 2.0kW OSGR Starters
Used On: (2005-94) Acura, Dodge, Lexus, Toyota; Hyster
Unit Nos: Nippondenso 228000-304, -326, -408, -409, -430, -475, -504, -512, -533, -586, -695, -739
Lester Nos: 17533, 17535, 17581, 17665, 17672, 17706, 17711, 17748, 18004, 18139, 18198
 (cont'd.)

(cont'd.)

WAI Ref. Nos: 2-1589-ND, 2-1699-ND, 2-1826-ND, 2-1828-ND, 2-1833-ND, 2-1838-ND, 2-1879-ND, 2-2203-ND

Dim: 7mm T x 25mm W x 15.5mm L x 29mm LL

Features:
 • Premium Quality

68-8226-3
Brush
12 Volt

Same as 68-8226 except...

Features:
 • Best Value



68-8227
Brush - Field
12 Volt

For: Nippondenso OSGR CCW Starters

Used On: Isuzu NPR Truck

Unit Nos: GM 97147778, Nippondenso 228000-7001

WAI Ref. Nos: 2-2122-ND

Dim: 10mm T x 30mm W x 20mm L x 29mm LL

Note: Used w/ 68-8216 ground brush. 68-8227 is similar to 68-8217 but not interchangeable. The flag terminal is bent in opposite directions. 68-8217 is for CW starters. 68-8227 is for CCW starters.

PRESTOLITE



68-601
Brush
24 Volt

For: Prestolite MES Series Starters

Replaces: Prestolite MES-1012B, MES-12B; 17-168, MFJ-2012DS (set#); Ref# E-115

Dim: 9.5mm T x 19mm W x 19mm L x 47mm LL

Note: Used w/ 68-602 brush

STARTER - BRUSHES (68-)



68-602
Brush
24 Volt

For: Prestolite MES Series Starters
Replaces: Prestolite MFJ-1012B; 17-168, MFJ-2012DS (set#); Ref# E-116
Dim: 9.5mm T x 19mm W x 19mm L x 199mm LL
Note: Used w/ 68-601 brush



68-603
Brush
12-24 Volt

For: Prestolite MFJ, MFY Series Starters
Replaces: Prestolite MFJ-13A; 17-162, MFJ-2012CS*; 17-202, MFJ-2012FS** (set#); Ref# E-117
Dim: 9.5mm T x 19mm W x 19mm L x 38mm LL
Note: *Requires (2) 68-603, (1) 68-604.
**Requires (4) 68-603, (2) 68-604.



68-604
Brush
12-24 Volt

For: Prestolite MFJ, MFY Series Starters
Replaces: Prestolite MFJ-1012A; 17-162, MFJ-2012CS*; 17-202, MFJ-2012FS** (set#); Ref# E-118
Dim: 9.5mm T x 19mm W x 19mm L x 204mm LL
Note: *Requires (2) 68-603, (1) 68-604.
**Requires (4) 68-603, (2) 68-604.



68-605
Brush
6 Volt

For: Prestolite MCH, MCL, MZ Series Starters
Replaces: Prestolite MAU-12, MBG-12, MDC-12A, MDC-12AS, MDD-12S, MZ-12; 17-14, MBG-2012S*; 17-33, MZ-2012AS*; 17-34, MZ-2012BS (set#); Ref# E-16
Dim: 8.5mm T x 19mm W x 10mm L x 74mm LL
Note: *Requires (2) 68-605, (2) 68-608



68-606
Brush
6 Volt

For: Ford Inertia Drive Starters; Prestolite MAB Series Starters
Replaces: Ford A-11054; Prestolite MAB-12, MAH-12, MAL-12, MAN-12, MBA-12, MDC-12, MDC-12S; 17-1, MAB-2012AS* (set#); Ref# E-17
Dim: 8.5mm T x 19mm W x 10mm L x 102mm LL
Note: *Requires (2) 68-606, (2) 68-608



68-607
Brush
6 Volt

For: Prestolite Starters
Replaces: Prestolite MAH-1034, MAL-1034, MDC-2012S, MZ-1034, MZ-1034SS, MZ-2012A; MAB-2012S*, MDC-2012S, MY-2122S**, MZ-2012S** (set#); Ref# E-18
(cont'd.)

(cont'd.)
Dim: 8.5mm T x 19mm W x 10mm L x 55mm LL
Note: *Requires (2) 68-606, (2) 68-607.
**Requires (2) 68-605, (2) 68-607.



68-608
Brush
6-12 Volt

For: Prestolite MAB, ML, MZ Series Starters
Replaces: Prestolite 17-1, MAB-2012AS*; 17-14, MBG-2012S**; 17-33, MZ-2012AS**; 17-31, ML-2012GS***; Ref# E-18S
Dim: 8.5mm T x 19mm W x 10mm L x 53mm LL
Note: *Requires (2) 68-606, (2) 68-608.
**Requires (2) 68-605, (2) 68-608.
***Requires (2) 68-608, (1) 68-615.



68-615
Brush
6-12 Volt

For: Prestolite ML Series Starters
Replaces: Prestolite ML-1012; 17-31, ML-2012GS* (set#); Ref# E-54
Dim: 8.5mm T x 19mm W x 10mm L x 216mm LL
Note: *Requires (2) 68-608, (1) 68-615

STARTER - BRUSHES (68-)

PRESTOLITE (cont'd.)



68-617
Brush
12 Volt

For: Prestolite MDL, MDM, MDT, MDU, MDY, MEC, MEZ, MFE Series Starters
Replaces: Chrysler 1843135; Prestolite MDL-12; 17-7, MDL-2012S* (set#); Ref# E-76
Dim: 7mm T x 19mm W x 16.5mm L
Note: *Requires (4) 68-617



68-635
Brush

For: Prestolite EVF Series Marine Power Tilt Motors
Used On: Mercury Marine
Replaces: Prestolite EVF-1012S; Ref# E-52
Dim: 6.3mm T x 6.3mm W x 12.5mm L x 51mm LL



82-6151
Brush

For: Prestolite MBD, MMR Series Pump Motors
Used On: Lift Trucks, Industrial Applications
Replaces: Prestolite 17-203, MBD-1512S (set#)
Unit Nos: Prestolite 46-2504, MMR-5001
Dim: 7.5mm T x 19mm W x 22mm LL
Note: 2-required



68-620
Brush
12 Volt

For: Prestolite MDT, MDU, MDY, MEC, MEG, MEZ, MFB, MHN Series Starters
Replaces: Prestolite MDL-1063S; 17-39, MDL-2012CS* (set#); Ref# E-85
Dim: 8.5mm T x 17.5mm W x 10mm L x 51mm LL
Note: *Requires (2) 68-620, (1) 68-621



68-6800
Brush Kit
12 Volt

For: Prestolite MGD Series Starters
Used On: Marine Outboard Applications
Replaces: Prestolite 17-103, MGD-2032S; Ref# E-96K
Dim: 6.5mm T x 16mm W x 12.5mm L



68-9403
Brush - Field
12 Volt

For: Ducellier / Valeo DD Starters
Used On: (1987-80) Renault, Toro
Lester Nos: 16484, 16751, 16756, 16797
WAI Ref. Nos: 2-1293-DU, 2-1305-DU, 2-1308-DU
Dim: 11.5mm T x 15mm W x 13mm L x 58mm LL
Note: With clip



68-621
Brush
12 Volt

For: Prestolite MDT, MDU, MDY, MEC, MEG, MEZ, MFB, MHN Series Starters
Replaces: Prestolite MDL-50, MDL-50A; 17-39, MDL-2012CS* (set#); Ref# E-86
Dim: 8.5mm T x 17.5mm W x 10mm L x 164mm LL
Note: *Requires (2) 68-620, (1) 68-621



82-6150
Brush

For: Prestolite MBD, MHV, MMR Series Pump Motors
Used On: Lift Trucks, Industrial Applications
Replaces: Prestolite 17-63, MBD-1418S (set#)
Dim: 7.5mm T x 19mm W x 22mm L
Note: 2-required



68-9412
Brush
12 Volt

For: Paris Rhone / Valeo DD Starters
Used On: (1987-83) Renault; Onan, Toro
Unit Nos: Paris Rhone D9E39, D9E56, D9E61, D9E68, D9E69, D9E76, D9E78, D9E82, D9E92, D9E93
Lester Nos: 16282, 16756, 16797
WAI Ref. Nos: 2-1305-PR, 2-1308-PR
Dim: 12mm T x 12.5mm W x 15mm L x 35mm LL



68-9413
Brush - Field
12 Volt

For: Paris Rhone / Valeo DD Starters
Used On: (1991-82) Peugeot
Lester Nos: 16282, 16484, 16533, 16749, 16756, 16797, 17144, 17157
WAI Ref. Nos: 2-1293-PR, 2-1298-PR, 2-1299-PR, 2-1300-PR, 2-1305-PR, 2-1308-PR
Dim: 10mm T x 15mm W x 10.5mm L x 125mm LL



68-9414
Brush - Ground
12 Volt

For: Paris Rhone / Valeo DD Starters
Used On: (1991-82) Peugeot
Lester Nos: 16282, 16484, 16533, 16749, 16756, 16797, 17144, 17157
WAI Ref. Nos: 2-1293-PR, 2-1298-PR, 2-1299-PR, 2-1300-PR, 2-1305-PR, 2-1308-PR
Dim: 10mm T x 15mm W x 10.5mm L x 40mm LL



68-9419
Brush - Ground
12 Volt

For: Paris Rhone / Valeo DD Starters
Used On: (1989-85) Eagle, Renault
Unit Nos: Paris Rhone D10E85, D10E87, D10E88, D10E89, D10E92, D10E921
Lester Nos: 16463, 16745, 17019, 17034, 17035
WAI Ref. Nos: 2-1309-PR, 2-1310-PR, 2-1313-PR, 2-1462-PR
Dim: 7mm T x 15mm W x 17.5mm L x 48mm LL



68-9432
Brush - Field
12 Volt

For: Valeo PMGR Starters
Used On: (1999-95) Saturn
Unit Nos: Delco 21023232, 21023719, 21023994, 21024210; Valeo D6RA65, D6RA85, D6RA165, D6RA185
Lester Nos: 17667
WAI Ref. Nos: 2-1713-VA
Dim: 9mm T x 11mm W x 18mm L x 55mm LL
Note: Used w/ 68-9433 ground brush

68-9432-3
Brush - Field
12 Volt

Same as 68-9432 except...
Features:
 • Best Value



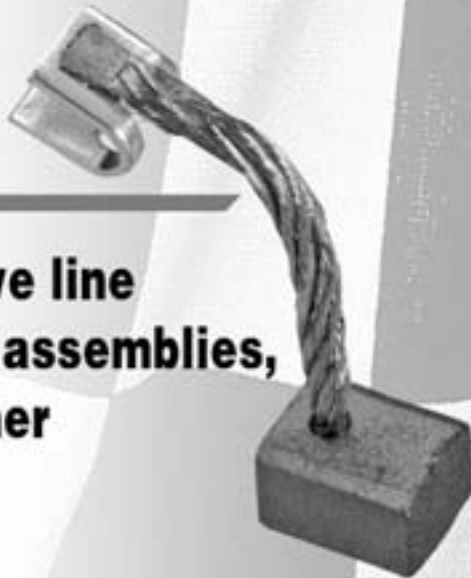
68-9433
Brush - Ground
12 Volt

For: Valeo PMGR Starters
Used On: (1999-95) Saturn
Unit Nos: Delco 21023232, 21023719, 21023994, 21024210; Valeo D6RA65, D6RA85, D6RA165, D6RA185
Lester Nos: 17667
WAI Ref. Nos: 2-1713-VA
Dim: 9mm T x 11mm W x 18mm L x 45mm LL
Note: Used w/ 68-9432 field brush

68-9433-3
Brush - Ground
12 Volt

Same as 68-9433 except...
Features:
 • Best Value

BRUSHES



WAI offers a comprehensive line of brushes & brush holder assemblies, often with choices for either Premium or Best Value.

Rebuilder Friendly Brushes featuring a brush lead clip for easier installation

Unit Series	w/ Clip	wo/ Clip	page
Bosch 108 Series PMGR	68-9129-1	68-9129	170
Bosch 108 Series PMGR	68-9130-1	68-9130	170
Bosch 218 Series PLGR	68-9126	-	169
Bosch DD Starters	68-9127	-	169
Delco PG260M Series	68-142-1	68-142	179
Delco SD20/2555, SD210/260 Series	68-138	68-138-1	178
Ford 4" Mod I, 4-1/2" Mod	68-207	68-207-1	182
Ford 4" Mod I, 4-1/2" Mod	68-209	68-209-1	182
Ford 4-1/2"	68-205	68-205-1	181
Hitachi OSGR; Mitsubishi OSGR, PLGR	68-8308-1	68-8308	189
Mitsubishi OSGR	68-8318	-	197
Mitsubishi OSGR, PLGR	68-83800	-	198
Nippondenso DD Starters	68-8222	-	203
Nippondenso OSGR	68-8207-1	68-8207	200
Nippondenso OSGR	68-8208-1	68-8208	201
Nippondenso OSGR	68-8211	68-8200	201
Nippondenso OSGR	68-8212	68-8200	202
Nippondenso OSGR	68-8219	68-8219-1	203
Nippondenso OSGR Starters	68-8210-1	68-8210	201
Nippondenso PLGR	68-8220-1	68-8220	203

BRUSH HOLDER ASSYS.

Bosch



69-9100

Brush Holder Assy.
24 Volt

For: Bosch 368 Series DD Starters

Used On: DAF, Deutz, Fiat, Ford, Hanomag, IHC, Iveco, KHD, Magirus, Mercedes, Scania, Volvo White-GMC Truck

Replaces: Bosch 2-004-336-031

Unit Nos: Bosch 0-001-368-001, -002, -005, -007, -009, -010, -012, -013, -016, -018, -019, -020, -021, -024, -027, -028, -030, -034, -035, -036, -038, -040, -055, -059, -063, -069, -071, -085, -086, -300, -301, -307, -309

Components:

68-9124 Brush
69-91704 Brush Spring

Features:

- Best Value



69-9102

Brush Holder Assy.
12 Volt

For: Bosch 358, 359 Series DD Starters

Used On: Alfa Romeo, Case, Deutz, Fiat, Ford, IHC, Iveco, John Deere, KHD, Mack, Magirus, Massey Ferguson, Renault, Volvo, VW

Replaces: Bosch 2-005-854-053, -136 (cont'd.)

(cont'd.)

Unit Nos: Bosch 0-001-358-201, -202; 0-001-359-001, -003, -006, -007, -008, -010, -012, -013, -014, -016, -019, -020, -021, -023, -024, -025, -026, -027, -030, -031, -032, -033, -034, -035, -037, -038, -041, -043, -044, -045, -046, -049, -051, -053, -055, -056, -057, -058, -059, -060, -062, -063, -064, -066, -067, -068, -069, -070, -071, -072, -073, -074, -075, -076, -081, -082, -083, -084, -085, -086, -087, -088, -089, -090, -091, -092, -094, -095, -096, -097, -098, -099, -100, -101, -102, -104, -106, -107, -108, -109, -110, -111, -112, -113, -114, -117, -118, -119, -122, -124

WAI Ref. Nos: 2-2041-BO

Components:

68-9116 Brush



69-9105

Brush Holder Assy.
12 Volt

For: Bosch 362, 366 Series DD Starters

Used On: (1987-74) Audi, Mercedes, Peugeot, Volvo (Diesel); Case, Deutz, IHC, John Deere, KHD, Massey Ferguson

Replaces: Bosch 2-004-336-027, -041

Unit Nos: Bosch 0-001-354-092;

0-001-362-020, -034, -035, -036, -037, -038, -039, -040, -041, -042, -045, -046, -047, -049, -050, -051, -052, -053, -057, -058, -059, -060, -061, -062, -063, -064, -069, -070, -071, -072, -073, -074, -075, -076, -077, -078, -079, -081, -083, -085, -090, -093, -096, -300, -301, -303, -304, -305, -310, -312, -314, -316, -321, -322, -324, -600, -601, -602, -605, -700, -701; 0-001-366-001, -002, -003, -004, -005, -006, -008, -009, -010, -011, -012, -013, -014, -015, -016, -017, -018, -019, -020, -021, -022, -024, -025, -026, -027, -028, -029

Lester Nos: 16445, 16615, 16715, 16752, 16753, 16754, 16949, 16957, 16999, 17318

WAI Ref. Nos: 2-1270-BO, 2-1277-BO, 2-1287-BO, 2-1294-BO, 2-1296-BO, 2-1803-BO, 2-1908-BO, 2-1925-BO, 2-1976-BO, 2-2042-BO

Components:

69-91703 Brush Spring

Features:

- Premium Quality

69-9105-3

Brush Holder Assy.
12 Volt

Same as 69-9105 except...

Features:

- Best Value



69-9106

Brush Holder Assy.
12 Volt

For: Bosch 367 Series DD Starters

Used On: Caterpillar, Deutz, Ford, IHC, Iveco, John Deere, KHD, Mack Truck, Magirus, Massey Ferguson, Mercedes, Renault, Volvo

Replaces: Bosch 2-004-336-028, Ford 82DB-11K182-AA, IHC 3079357R1, KHD 1308817, KHD 42487780, Volvo 6211877

Unit Nos: Bosch 0-001-367-001, -002, -003, -004, -005, -006, -007, -008, -009, -010, -011, -012, -013, -014, -015, -016, -018, -021, -022, -023, -024, -025, -027, -028, -029, -030, -032, -034, -036, -039, -042, -044, -045, -046, -048, -050, -052, -055, -056, -058, -062, -063, -070, -076, -300, -302

Lester Nos: 16565, 16567, 17074, 17092, 17106, 17113, 17136, 17184, 17228, 17257, 18029, 18224, 18229, 18259

Note: Without 68-9142 field brush

Components:

68-9113 Brush
69-91704 Brush Spring

Features:

- Premium Quality

69-9106-3

Brush Holder Assy.
12 Volt

Same as 69-9106 except...

Features:

- Best Value

STARTER - BRUSH HOLDERS (69-)

BRUSH HOLDER ASSYS.

Bosch (cont'd.)



69-9109
Brush Holder Assy.
24 Volt

For: Bosch 420 Series DD Starters

Used On: Caterpillar, Fiat-Allis, Volvo Penta

Replaces: Bosch 2-004-336-051

Unit Nos: Bosch 0-001-420-001, -002, -003, -004, -005, -006, -007, -008, -009, -010, -011, -012, -013, -014, -015, -039

Note: Without 68-9135 brush



69-9110
Brush Holder Assy.
12 Volt

For: Bosch Brazilian DD Starters

Used On: Massey Ferguson, Mercedes-Benz Truck

Replaces: Bosch 9-001-083-362, -569

Unit Nos: Bosch 9-000-083-027, 9-000-083-028, 9-000-083-031, 9-000-083-036, 9-000-083-054, 9-000-083-058, 9-000-083-059, 9-000-083-071

Note: Without 68-9122, 68-9138 brushes



69-9111
Brush Holder Assy.
12 Volt, CW

For: Bosch 108 Series PMGR Starters

Used On: (1995-83) Alfa Romeo, Audi, BMW, Chrysler, Dodge, Jeep, Land Rover, Merkur, Plymouth, Pontiac, Porsche, Saab, Volvo, VW

Replaces: Bosch 1-004-336-246, -907, -911, -922, -965, -968

Unit Nos: Bosch 0-001-108-007, -009, -010, -012, -013, -018, -021, -022, -023, -024, -026, -027, -030, -031, -032, -035, -037, -038, -040, -042, -045, -046, -048, -052, -053, -054, -061, -063, -064, -065, -066, -068, -069, -070, -072, -081, -084, -089, -091, -093, -121, -137, -144, -155,

Lester Nos: 16956, 962, 963, 976, 980; 17011, 013, 023, 124, 135, 139, 140, 148, 163, 164, 210, 218, 225, 233, 236, 406, 663

WAI Ref. Nos: 2-1231-BO, 2-1245-BO, 2-1257-BO, 2-1263-BO, 2-1266-BO, 2-1269-BO, 2-1283-BO, 2-1290-BO, 2-1292-BO, 2-1311-BO, 2-1321-BO, 2-1322-BO, 2-1346-BO, 2-1363-BO, 2-1385-BO, 2-1387-BO, 2-1394-BO, 2-1457-BO, 2-1765-BO, 2-2002-BO, 2-2027-BO, 2-2572-BO

Components:

68-9129 Brush
68-9130 Brush
68-9139 Brush
69-91200 Brush Holder
69-91706 Brush Spring

69-9111-3
Brush Holder Assy.
12 Volt, CW

Same as 69-9111 except...

Features:

- Best Value



69-9113
Brush Holder Assy.
12 Volt, CW

For: Bosch 110 Series PMGR Starters

Used On: (2002-86) Audi, BMW, Chrysler, Dodge, Jaguar, Mercedes, Plymouth, Volvo

Replaces: Bosch 1-004-336-909, -914, -924*, -925, -931, -956*, -959

Unit Nos: Bosch 0-001-109-008, -009; 0-001-110-004, -007, -008*, -011, -013, -016, -017, -019, -024, -025, -029, -030, -039, -041, -042, -043, -053, -063*, -066, -072*, -075, -091, -112*, -113

Lester Nos: 17038, 17047, 17082, 17149, 17150, 17226, 17227, 17237, 17408, 17410, 17497, 17698

WAI Ref. Nos: 2-1267-BO, 2-1279-BO, 2-1280-BO, 2-1281-BO, 2-1337-BO, 2-1379-BO, 2-1392-BO, 2-1538-BO, 2-1539-BO, 2-1720-BO, 2-1919-BO

Note: Similar to 69-9115 except 69-9113 is for CW starters.

*69-9113 brush holder Assy. appears different than OE but is interchangeable.

Components:

68-9131 Brush
68-9132 Brush
68-9141 Brush
69-91707 Brush Spring



69-9114
Brush Holder Assy.
12 Volt

For: Bosch 312, 317 Series DD Starters

Used On: (1991-81) Audi, VW (Diesel)

Replaces: Bosch 1-004-336-900

Unit Nos: Bosch 0-001-312-108, -109; 0-001-317-007, -008, -009, -010, -011, -012, -016, -017, -018, -019, -024

Lester Nos: 16556, 16623, 16726, 16951, 16959, 16961

WAI Ref. Nos: 2-1357-BO, 2-1358-BO, 2-1361-BO, 2-1440-BO, 2-2017-BO

Components:

68-9127 Brush

STARTER - BRUSH HOLDERS (69-)



69-9115
Brush Holder Assy.
12 Volt, CCW

For: Bosch 110 Series PMGR Starters
Used On: (2002-82) Audi, Land Rover, Porsche, VW, Winnebago

Replaces: Bosch 1-004-336-906, -927*, -933, -945*, -958, -981, -983

Unit Nos: Bosch 0-001-110-001, -002, -009, -010, -014, -015, -018, -031*, -033, -047, -059, -060, -061*, -062, -073*, -076, -077, -081, -084, -085, -086, -087, -089, -101, -108, -117, -118, -120, -141; 0-001-124-001, -002, -005, -006; 0-001-125-005, -006, -018, -019

Lester Nos: 17030, 17068, 17158, 17231, 17279, 17280, 17281, 17282, 17417, 17705, 17724, 17725

WAI Ref. Nos: 2-1347-BO, 2-1348-BO, 2-1349-BO, 2-1362-BO, 2-1365-BO, 2-1531-BO, 2-1533-BO, 2-1535-BO, 2-1794-BO, 2-1890-BO, 2-1899-BO, 2-1903-BO, 2-1904-BO, 2-1994-BO

Note: Similar to 69-9113 except 69-9115 is for CCW starters.
*69-9115 brush holder Assy. appears different than OE but is interchangeable.

Components:
68-9131 Brush
68-9132 Brush
68-9141 Brush
69-91707 Brush Spring



69-9116
Brush Holder Assy.
12 Volt

For: Bosch PMGR Starters
Used On: (2005-91) Audi, VW; Deutz Equipment
Replaces: Bosch 1-004-336-821, 1-004-336-827
(cont'd.)

(cont'd.)
Unit Nos: Bosch 0-001-107-003, 0-001-107-004, 0-001-107-005, 0-001-107-006, 0-001-107-007, 0-001-107-008, 0-001-107-020, 0-001-107-021, 0-001-107-022, 0-001-107-023, 0-001-107-024, 0-001-107-054, 0-001-107-055, 0-001-107-062, 0-001-107-068, 0-001-121-006, 0-001-121-008, 0-001-121-009, 0-001-121-010
Lester Nos: 17222, 17223, 17415, 17416, 17751, 17780, 17781
WAI Ref. Nos: 2-1373-BO, 2-1376-BO, 2-1532-BO, 2-1534-BO, 2-1921-BO, 2-1945-BO, 2-1975-BO, 2-2116-BO
Components:
68-9144 Brush
69-91708 Spring
71-91309 Boot



69-9117
Brush Holder Assy.
12 Volt

For: Bosch 208 Series DD Starters
Used On: (1993-81) Audi, VW
Replaces: Bosch 1-004-336-901
Unit Nos: Bosch 0-001-208-707, 0-001-208-709, 0-001-208-711, 0-001-208-712, 0-001-208-714;
Lester Nos: 16408, 17157, 17413
WAI Ref. Nos: 2-1300-BO, 2-1360-BO, 2-1460-BO
Components:
68-9128 Brush



69-9118
Brush Holder Assy.
12 Volt

For: Bosch 218 Series PLGR Starters
Used On: (1999-84) Mercedes (Diesel)
Replaces: Bosch 1-004-112-906
(cont'd.)

(cont'd.)
Unit Nos: Bosch 0-001-218-004, -006, -009, -012, -021, -108, -110, -113, -137, -138, -161, -172, -173
Lester Nos: 17009, 17016, 17040, 17414
WAI Ref. Nos: 2-1262-BO, 2-1276-BO, 2-1289-BO, 2-1540-BO, 2-1946-BO
Components:
68-9126 Brush



69-9121
Brush Holder Assy.
12 Volt

For: Bosch PMGR Starters
Used On: (2000-95) Chrysler, Dodge, Eagle, Mitsubishi, Plymouth
Replaces: Bosch 1-004-336-980
Unit Nos: Bosch 0-001-107-031, 0-001-107-032, 9-007-045-018
Lester Nos: 17560, 17563, 17736
WAI Ref. Nos: 2-1519-BO, 2-1681-BO, 2-1937-BO
Components:
68-9143 Brush
68-9145 Brush
69-91708 Brush Spring
71-91309 Boot
Features:
• Premium Quality

69-9121-3
Brush Holder Assy.
12 Volt

Same as 69-9121 except...
Features:
• Best Value

STARTER - BRUSH HOLDERS (69-)

BRUSH HOLDER ASSYS.

Bosch (cont'd.)



69-9125
Brush Holder Assy.
12 Volt

For: Bosch PMGR Starters
Used On: (2005-99) Saab, Saturn
Replaces: Bosch 1-004-336-823
Unit Nos: Bosch 0-001-108-172, 6-004-AA2-003, 6-004-AA2-014
Lester Nos: 17760, 17789, 17858
WAI Ref. Nos: 2-1995-BO, 2-2115-BO



69-301
Brush Holder Assy.

For: Chrysler 1.5 HP, 1.8 HP OSGR Starters
Replaces: Chrysler 2932812, 3837328, 3855247, 3874345
Lester Nos: 3250, 3257, 3258, 3259, 3260
Components:
68-300 Brush
68-301-1 Brush
69-3200 Brush Holder
69-3700 Brush Spring
76-3550 Battery Terminal
84-2407 Hex Nut
84-3902 Rivet
84-4400 Sealing Washer
84-4402 Lock Washer
Features:
• Mfd. by WAI

69-301-1
Brush Holder Assy.

Same as 69-301 except...
Features:
• Best Value



69-102-1
Brush Holder Assy.

For: Delco 40MT Series DD Starters
Replaces: Delco 1979387, 1979494
Note: 4-brush version, brushes not included. For 8-brush version use 69-101 brush holder Assy.
Components:
69-1513 Plate w/ Terminal Post
69-1705 Springs
Features:
• Best Value



69-103-3
Brush Holder Assy.

For: Delco 42MT Series DD Starters
Replaces: Delco 1988121, 1988122, 1988439
Note: Brushes not included
Components:
69-1706 Springs
Features:
• Best Value

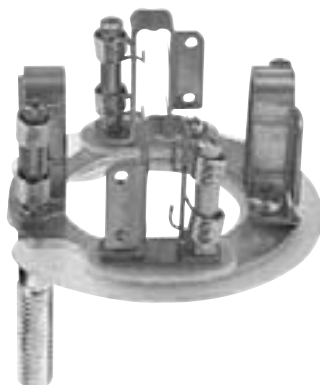
Chrysler



69-300
Brush Holder Assy.

For: Chrysler Early OSGR Starters
Replaces: Chrysler 2275550
Lester Nos: 3250
Components:
68-300 Brush
68-301-1 Brush
69-3700 Brush Spring
76-3550 Battery Terminal
84-2407 Hex Nut
84-3902 Rivet
84-4400 Sealing Washer
84-4402 Lock Washer
Features:
• Best Value

Delco



69-101
Brush Holder Assy.

For: Delco 40MT Series DD Starters
Replaces: Delco 1948515
Note: 8-brush version, brushes not included. For 4-brush version use 69-102 brush holder Assy.
Components:
69-1704 Springs
Features:
• Best Value



69-104
Brush Holder Assy.

For: Delco 50MT Series DD Starters
Replaces: Delco 1945849, 1967354 (cont'd.)

STARTER - BRUSH HOLDERS (69-)

(cont'd.)

Note: 12-brush version, brushes not included.

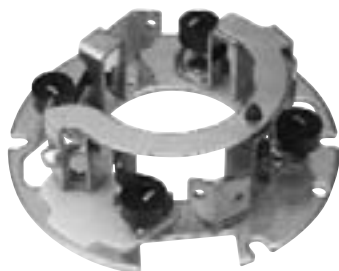
For 6-brush version use 69-115 brush holder Assy.

Components:

69-1704 Springs

Features:

- Best Value



69-105-1

Brush Holder Assy.

For: Delco 37MT Series DD Starters

Replaces: Delco 1985303, 1988323

Note: Early type, brushes not included

Components:

69-1514 Connector

79-1158 Repair Kit

Features:

- Premium Quality

69-105-3

Brush Holder Assy.

Same as 69-105-1 except...

Features:

- Best Value



69-106

Brush Holder & Rack Assy.

For: Delco 5MT, SD200, SD250 Series DD Starters

Replaces: Delco 1893924, 10497180, 10499232, D763, D781

Components:

68-101 Brush

69-1200 Brush Holder

69-1500 Support

69-1700 Spring

76-1600-1 Ground Lead

84-1100 Screw

84-3906 Rivet



69-107

Brush Holder Assy.

12 Volt

For: Delco PG200, PG250 Series PMGR Starters

Replaces: Delco 10472527, D780

Unit Nos: Delco 9000719, 9000735, 9000762, 9000763, 9000768, 9000773, 9000775, 9000776, 9000789, 9000796, 9000797

Lester Nos: 6407, 6409, 6431, 6442, 6443

Components:

68-136 Brush

68-143 Brush

69-1708 Brush Spring

Features:

- Premium Quality

69-107-3

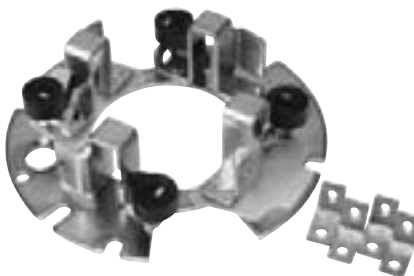
Brush Holder Assy.

12 Volt

Same as 69-107 except...

Features:

- Best Value



69-108-1

Brush Holder Assy.

For: Delco 37MT, 41MT Series DD Starters

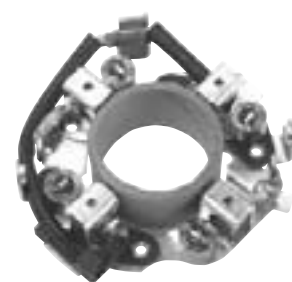
Replaces: Delco 10468705, 10468706, 10469238, 10470140

Note: Late type, brushes not included.

Positive brush holders are insulated from backing plate and the ground brush holders are not.

Components:

69-1706 Springs



69-109

Brush Holder Assy.

12 Volt

For: Delco SD205, SD210, SD255, SD260 Series DD Starters

Replaces: Delco 10467615

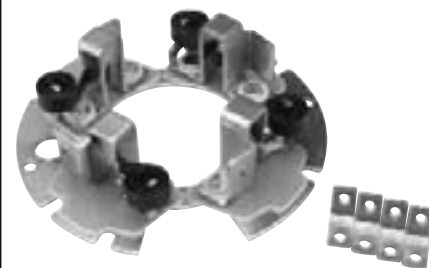
Components:

68-137 Brush

69-1708 Spring

Features:

- Best Value



69-111-1

Brush Holder Assy.

For: Delco 37MT, 41MT Series DD Starters

Replaces: Delco 10468891, 10468892, 10470208

Note: Late type, brushes not included.

All 4-brush holders are insulated from the backing plate. Used in starters w/ terminal post thru C.E. plate.

Components:

69-1706 Springs

Features:

- Best Value

STARTER - BRUSH HOLDERS (69-)

BRUSH HOLDER ASSYS.

Delco (cont'd.)



69-112

Brush Holder Assy.

12 Volt

For: Delco PG100 PMGR Starters
Used On: (1993-88) Pontiac, Saturn
Replaces: Delco 10467164
Unit Nos: Delco 9000751, 9000758, 21020892, 21021648
Lester Nos: 6401, 6432
Components:
 68-139 Brush
Features:
 • Premium Quality

69-112-3

Brush Holder Assy.

12 Volt

Same as 69-112 except...

Features:
 • Best Value



69-113

Brush Holder Assy.

12 Volt

For: Delco PG150, PG150S, PG260F1, PG260G Series PMGR Starters
Used On: (2003-89) Buick, Chevrolet, Daewoo, GMC, Isuzu, Mercury Marine, Oldsmobile, Pontiac, Saturn
Replaces: Delco 10472352, 10483463
Unit Nos: Delco 9000785, 9000833, 9000839, 9000840, 9000847, 9000859, 9000871, 9000872, 9000873, 9000884, 21020761, 21020893, 21021366
 (cont'd.)

(cont'd.)

Lester Nos: 6401, 6433, 6445, 6481, 6484, 6723, 6724

Dim: 40mm LL

Note: 40mm motor lead length.

Components:

68-140 Brush

69-1710 Brush Spring

Features:

- Premium Quality
- Mfd. by OE Supplier

69-113-1

Brush Holder Assy.

12 Volt

Same as 69-113 except...

Features:

- Best Value



69-114

Brush Holder Assy.

12 Volt

For: Delco PG260M Series PMGR Starters

Replaces: Delco 10475602, 10517108

Unit Nos: Delco 9000786, 798, 804,

805, 806, 812, 819, 820, 821, 822, 827,

834, 835, 844, 850, 851, 853, 860, 861,

862, 863, 864, 865, 866, 867, 899, 900

Lester Nos: 6449, 6452, 6470, 6471,

6472, 6480, 6482, 6486, 6487, 6492,

6560, 6561, 6562, 6563

Components:

68-142 Brush

69-1709 Spring

71-1329 Grommet

76-1618 Terminal Lead

Features:

- Premium Quality
- Mfd. by OE Supplier

69-114-1

Brush Holder Assy.

12 Volt

Same as 69-114 except...

Features:

- Best Value



69-115-1

Brush Holder Assy.

For: Delco 50MT Series DD Starters

Replaces: Delco 1984974, 1985065

Note: 6-brush version, brushes not included.

For 12-brush version use 69-104 brush holder Assy.

Components:

69-1705 Springs



69-116

Brush Holder Assy.

For: Delco 35MT Series, External Rotatable DD Starters

Replaces: Delco 1851940

Unit Nos: Delco 1113396, 397, 399, 401, 404, 410, 413, 419, 425, 430, 434, 435, 437, 440, 443, 447, 472, 474, 477, 478, 483, 484, 485, 487, 488, 489, 490, 493, 497, 537, 539, 540, 542, 544, 585, 586

Features:

- Premium Quality

69-116-1

Brush Holder Assy.

Same as 69-116 except...

Features:

- Best Value

STARTER - BRUSH HOLDERS (69-)



69-117
Brush Holder Assy.
12 Volt

For: Delco PG260F2 Series PMGR Starters
Unit Nos: Delco 9000836, 9000857, 24506694
Lester Nos: 6484
Dim: 110mm LL
Components:
 68-144 Brush
 68-146 Brush



69-118
Brush Holder Assy.
12 Volt

For: Delco PG260F2 Series PMGR Starters
Unit Nos: Delco 9000841, 9000854, 9000858
Lester Nos: 6485, 6489
Dim: 70mm LL
Components:
 68-146 Brush
 68-147 Brush
Features:
 • Premium Quality

69-118-1
Brush Holder Assy.
12 Volt

Same as 69-118 except...
Features:
 • Best Value



69-119
Brush Holder Assy.
12 Volt

For: Delco PG260D Series PMGR Starters
Used On: (2005-01) Buick, Cadillac, Chevrolet, GMC, Isuzu, Oldsmobile, Pontiac, Saab, Saturn
Unit Nos: Delco 8000045, 058; 9000856, 868, 901, 933, 939, 951, 977; 10455504; 12563764, 12564089, 12570255, 12575083, 12578050, 12579131, 12587865, 12592294, 12593764
Lester Nos: 6491, 6493, 6494
Dim: 69mm Motor Lead
Components:
 68-148 Brushes
Features:
 • Mfd. by OE supplier

69-119-1
Brush Holder Assy.
12 Volt

Same as 69-119 except...
Features:
 • Best Value



69-120
Brush Holder Assy.
12 Volt

For: Delco PG260G Series PMGR Starters
Used On: (2004-01) Cadillac, Chevrolet, GMC, Isuzu, Oldsmobile
Unit Nos: Delco 9000871, 9000873, 9000884, 9000910, 9000925, 12563719, 12564107, 12564111, 12572716, 12573853
Lester Nos: 6485, 6489, 6792
Dim: 83mm LL
Note: 83mm motor lead length, M4 x 0.7 brush screw holes.
Components:
 68-140 Brushes
 69-1710 Brush Spring



69-121
Brush Holder Assy.
12 Volt

For: Delco PG260L Series PMGR Starters
Used On: (2005-01) AM General, Buick, Cadillac, Chevrolet, GMC, Isuzu, Oldsmobile, Pontiac
Unit Nos: Delco 8000052, 8000061, 9000874, 9000875, 9000876, 9000878, 9000879, 9000880, 9000881, 9000882, 9000885, 9000895, 9000896, 9000904, 9000926, 9000927, 9000931, 9000962, 9000966, 9000979, 12563863, 12563916, 12563919, 12564108, 12564109, 12564110, 12567398, 12570823, 12571039, 12572141, 12573852, 12574145, 12574832, 12574859, 12583115, 12584048, 12588785, 12592295, 12593688, 15749578
Lester Nos: 6449, 6471, 6472, 6480, 6482, 6490, 6492
Components:
 68-149 Field Brushes
 68-150 Grd. Brushes



69-122
Brush Holder Assy.
12 Volt

For: Delco PG260G Series PMGR Starters
Used On: (2004) Chevrolet, GMC
Unit Nos: Delco 9000964, 9000973, 12583114, 12586040
Lester Nos: 6485
Dim: 71mm LL
Note: 71mm motor lead length, M5 x 0.8 brush screw holes.
Components:
 68-140 Brushes
 69-1710 Brush Spring

STARTER - BRUSH HOLDERS (69-)

BRUSH HOLDER ASSYS.

Delco (cont'd.)



69-123
Brush Holder Assy.
12 Volt

For: Delco PG260G Series PMGR Starters

Used On: (2006) Buick, Pontiac

Unit Nos: Delco 8000059, 12593763

Lester Nos: 6484

Dim: 57mm LL

Note: 57mm motor lead length, M5 x 0.8 brush screw holes.

Components:

68-140 Brushes

69-1710 Brush Spring



69-127
Brush Holder Assy.
12 Volt

For: Delco PG260D Series PMGR Starters

Used On: (2005-03) Nissan Sentra 1.8L

Unit Nos: Delco 9000908, Hitachi

S114-900, Nissan 23300-8U300

Lester Nos: 6749

Dim: 106mm Motor Lead

Components:

68-148 Brushes

Features:

- Best Value



69-125
Brush Holder Assy.

For: Delco 39MT Series PLGR Starters

Unit Nos: Delco 8200037, 19011514,

19011516, 19011517, 19011518,

19011521, 19011522, 19011523,

19011524, 19011530, 19011531

Lester Nos: 6802, 6804, 6805, 6806,

6812, 6813, 6814, 6818, 6819, 6822,

6853



69-8400
Brush Holder Assy.

For: Delco 28MT Series OSGR Starters

Replaces: Delco 10456456

Note: Does not include brushes

Components:

69-84700 Brush Spring

Features:

- Premium Quality
- Solid rivets keep brush holder brackets from coming loose, thus preventing premature unit failure

69-8400-1

Brush Holder Assy.

Same as 69-8400 except...

Features:

- Best Value
- Solid rivets

Electroprecizia (Romania)



69-9900
Brush Holder Assy.
12 Volt

For: Electroprecizia DD Starters (Romanian)

Used On: Allis-Chalmers, Long Tractor

Unit Nos: Electroprecizia DM2130, DM2134

WAI Ref. Nos: 2-1805-RO

Note: Used w/ 68-9900 Brushes

Components:

62-99500 Bushing

69-99700 Brush Spring

Ford



69-201
Brush Holder Assy.
12 Volt

For: Ford PMGR Starters

Replaces: Ford E9OZ-11061-A,

E9OZ-11061-B, E9OZ-11061-C,

F3RZ-11061-A, SB-331, SB-335,

SB-337, SB-348, SB-353, SB-356

Note: Introduced on Ford PMGR starters

w/ M6 x 1.0 S-terminal post solenoids

but will also fit starters w/ male spade

S-terminal solenoids.

Components:

68-219-1 Brush

68-220-1 Brush

69-2206 Brush Holder

69-2704 Spring

72-2115 Insulator

76-2304 Bracket

Features:

- Premium Quality
- Mfd. by WAI

69-201-2
Brush Holder Assy.
12 Volt

Same as 69-201 except...

Features:

- Best Value

STARTER - BRUSH HOLDERS (69-)



69-202
Brush Holder Assy.
12 Volt

For: Ford PMGR Noseless Starters
Used On: (2005-99) Ford, Lincoln
Unit Nos: Ford F81U-11000-AA, -AC, -AD; F81Z-11002-AA; XL1U-11000-AA, -AB; XL1Z-11002-AA, XW4U-11000-CG, XW4Z-11002-CG
Lester Nos: 6646, 6647, 6652
Components:
 68-221 Brush
 68-222 Brush
 69-2706 Brush Spring
 72-2118 Insulator
 76-2304 Bracket
Features:
 • Premium Quality

69-202-3
Brush Holder Assy.
12 Volt

Same as 69-202 except...
Features:
 • Best Value



69-203
Brush Holder Assy.
12 Volt

For: Ford 3.0kW OSGR Starters
Used On: (2005-01) Ford 7.3L (Diesel)
Unit Nos: Ford 1C3U-11000-AA, -AB, -AE; 1C3Z-11002-A; 2C3T-11000-AA, 2C3Z-11002-AA
Lester Nos: 6669
Components:
 68-223 Brush, Grd.



69-204
Brush Holder Assy.
12 Volt

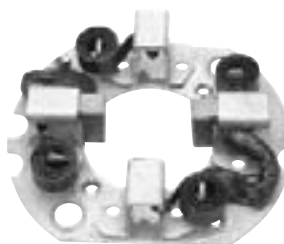
For: Ford PMGR External Thru Bolt Starters
Used On: (2006-00) Ford, Jaguar, Lincoln, Mercury
Unit Nos: Ford 5L8T-11000-AC, 5L8Z-11002-AA, 6F9Z-11002-AA, 6S4Z-11002-AA, 96BB-11000-AA, XW4U-11000-AC, XW4Z-11002-AC; Jaguar C2C-1127
Lester Nos: 6651, 6674, 6676, 6677
Components:
 68-227 Brush, Grd.
 68-228 Brush, Fld.



69-8105
Brush Holder Assy.
12 Volt

For: Hitachi DD, OSGR Starters
Used On: (1994-70) Honda, Nissan; Ishikawajima, Isuzu, Onan, Toyosha, Yanmar
Lester Nos: 16194, 16203, 16209, 16211, 16711, 16732, 16774, 16775, 16805, 16843, 16918, 16991, 16992, 16993, 17147
Note: Without 68-8108 field brush
Components:
 68-8110 Brush
Features:
 • Made in Japan to OE specifications

Hitachi



69-8101
Brush Holder Assy.
12 Volt

For: Hitachi OSGR Starters
Used On: (1989-78) Nissan; Isuzu, Massey Ferguson, Toyosha, Yanmar
Lester Nos: 16584, 16611, 16694, 16803, 16809, 16811, 16813, 16982, 16986, 17104
WAI Ref. Nos: 2-1080-HI, 2-1082-HI, 2-1084-HI, 2-1090-HI, 2-1095-HI, 2-1099-HI, 2-1100-HI, 2-1105-HI, 2-1109-HI, 2-1777-HI, 2-1916-HI
Note: Without 68-8101 brush
Components:
 68-8100 Brush
Features:
 • Best Value



69-8113
Brush Holder Assy.
12 Volt

For: Hitachi OSGR Starters
Used On: (1986-81) Chevrolet, Isuzu, Nissan, Pontiac (Diesel); Thermo King
Unit Nos: Hitachi S13-62, A, B, C; S13-64, S13-65, S13-69, S13-84; S13-89A, B; S13-91
Lester Nos: 16733, 16740, 16772, 17018, 17088, 17138
WAI Ref. Nos: 2-1091-HI, 2-1191-HI, 2-1289-HI, 2-1734-HI, 2-1776-HI
Note: Without 68-8118 field brush
Components:
 68-8119 Brush
Features:
 • Premium Quality
 • Mfd. in Japan to OE Specifications

69-8113-3
Brush Holder Assy.
12 Volt

Same as 69-8113 except...
Features:
 • Best Value

STARTER - BRUSH HOLDERS (69-)

BRUSH HOLDER ASSYS.

Hitachi (cont'd.)



69-8115
Brush Holder Assy.
12 Volt

For: Hitachi PMGR Starters
Used On: (1995-89) Nissan
Replaces: Nissan 23378-53J02, 23378-77A01
Unit Nos: Hitachi S114-517C, S114-520B; S114-527, A, B; S114-534; S114-701A, C
Lester Nos: 17146, 17246, 17454
WAI Ref. Nos: 2-1117-HI, 2-1122-HI, 2-2262-HI
Components:
68-8110 Brush
68-8125 Brush
Features:
• Premium Quality
• Mfd. in Japan to OE Specifications

69-8115-3
Brush Holder Assy.
12 Volt

Same as 69-8115 except...
Features:
• Best Value



69-8117
Brush Holder Assy.
12 Volt

For: Hitachi PMGR Starters
Used On: (2002-92) Acura, Isuzu, Nissan
Unit Nos: Hitachi S114-753, C; S114-755, S114-756, S114-766A, S114-767
Lester Nos: 17146, 17476, 17479, 17509
WAI Ref. Nos: 2-1117-HI, 2-1441-HI, 2-1560-HI
Dim: Motor lead 90mm L
Features:
• Premium Quality
• Mfd. in Japan to OE Specifications

69-8117-3
Brush Holder Assy.
12 Volt

Same as 69-8117 except...
Features:
• Best Value



69-8118
Brush Holder Assy.
12 Volt

For: Hitachi PMGR Starters
Used On: (1999-95) Infiniti, Nissan
Replaces: Hitachi 2114-73105, Nissan 23378-0M300
Unit Nos: Hitachi S114-800B; S114-801A, B, C; S114-802A, B; S114-806, A; S114-822
Lester Nos: 17146, 17695, 17713, 17745
WAI Ref. Nos: 2-1117-HI, 2-1128-HI, 2-1694-HI, 2-1856-HI, 2-1935-HI
Dim: Motor lead 87mm L
Components:
68-8129 Brush, Grd.
68-8137 Brush, Field
Features:
• Premium Quality
• Mfd. in Japan to OE Specifications

69-8118-1
Brush Holder Assy.
12 Volt

Same as 69-8118 except...
Features:
• Best Value



69-8120
Brush Holder Assy.
12 Volt

For: Hitachi OSGR Starters
Used On: Thermo King
Unit Nos: Hitachi S13-289A
WAI Ref. Nos: 2-1776-HI
Features:
• Made in Japan to OE specifications

Lucas



69-9200
Brush Holder Assy.

For: Lucas M50, M127 Series DD Starters
Used On: Allis-Chalmers, Ford Tractor, JCB, Perkins, Valmet,
Replaces: Lucas 54245374
Unit Nos: Lucas 26274, 26294, 26295, 26298, 26312, 26316, 26336, 26341, 26342, 26343, 26345, 26349, 26351, 26352, 26357, 26358, 26359, 26363, 26366, 26369, 26376, 26379, 26384, 26388, 26398, 26404, 26407, 26410, 26414, 26416, 26421, 26423, 26428, 26429, 26431, 26433, 26435, 27508, 27515, 27516, 27518, 27519, 27528, 27533, 27536, 27539, 27540, 27541, 27543, 27553, 27554, 27556, 27558, 27572
Lester Nos: 16669, 670, 984; 17071, 072, 644, 646, 647, 648, 649, 650, 651, 652, 653; 18262, 264,
WAI Ref. Nos: 2-2281-LU, 2-2282-LU, 2-2290-LU, 2-2291-LU, 2-2292-LU, 2-2293-LU, 2-2301-LU, 2-2303-LU, 2-2304-LU, 2-2340-LU, 2-2458-LU
Components:
68-9206 Brush (24.5mm L)
69-92700 Brush Spring

69-9200-3
Brush Holder Assy.

Same as 69-9200 except...
Features:
• Best Value

STARTER - BRUSH HOLDERS (69-)



69-9201
Brush Holder Assy.

For: Lucas M50, M127 Series DD Starters
Used On: Ford Tractor
Replaces: Lucas 54244775
Unit Nos: Lucas 26338, 26339, 26395, 27500, 27569
Components:
 68-9207 Brush (22.5mm L)
 69-92700 Brush Spring

Mando

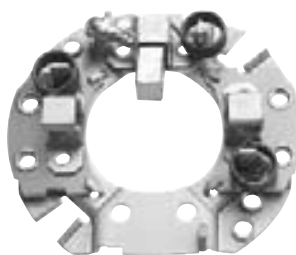


69-8308
Brush Holder Assy.
12 Volt

For: Mando, Mitsubishi PMGR Starters
Used On: (2005-85) Chevrolet, Chrysler, Dodge, Eagle, Ford, Geo, Hyundai, Infiniti, Jeep, Mazda, Mercury, Mitsubishi, Nissan, Plymouth, Subaru, Suzuki; Caterpillar, Clark
Lester Nos: 16874, 888, 900, 930, 931, 933, 939, 998; 17046, 131, 132, 133, 142, 146, 151, 161, 166, 167, 176, 185, 192, 217, 221, 246, 266, 425, 437, 448, 451, 461, 469, 470, 478, 479, 480, 505, 514, 539, 557, 559, 561, 564, 566, 599, 686, 689, 708, 768
Note: Without 68-8312 or 68-8313 field brush
Components:
 68-8315 Brush
 69-83701 Brush Spring
 69-83702 Brush Spring
Features:
 • Premium Quality

69-8308-1
Brush Holder Assy.
12 Volt

Same as 69-8308 except...
Features:
 • Best Value



69-8315
Brush Holder Assy.
12 Volt

For: Mando, Mitsubishi DD Starters
Used On: (2002-81) Dodge, Eagle, Ford, Hyundai, Kia, Mazda, Mercury, Mitsubishi, Nissan, Plymouth, Suzuki; John Deere, Kubota, Lincoln Electric, Mitsubishi Lift Truck, Nissan Lift Truck, Onan, Woods, Yale
Unit Nos: Mando MC107023, MC108027, MC109018, MC109021, MC109028, MC109032; Mitsubishi M2T20181D, 30481, 30581, 30981, 31081, 32281, 32581, 37081, 42381, 42985, 43681, 43781, 43881, 44781, 49881; M3M10476; M3Q38882; M3T10476D, 21781D, 21882D, 27686H, 27781, 27781D, 29482D, 30081, 30082, 30281, 30282, 30285, 30286, 30381, 30382, 30581, 30781, 30782, 30881, 30981, 32581, 32582, 32583, 32589, 32591, 32592, 32593, 32681, 32782, 32782D, 33081, 33182, 33282, 33581, 33582, 33582A, 33583, 33585, 33586, 33586A, 33586D, 33587, 33588, 34782, 35081, 35082, 36081, 37481, 37781, 37782, 38481, 38581, 38682, 38881, 38881A, 38881B, 38881C, 38882, 38882A, 38882B, 38882C, 38883, 38884, 38885, 39385, 39981, 41081, 41083, 41181, 41285, 41381, 41781, 42781, 42881, 43381, 44081, 70381; M3V38881, 38882
Lester Nos: 16514, 16527, 16579, 16708, 16711, 16728, 16729, 16741, 16742, 16774, 16775, 16793, 16794, 16856, 16859, 16922, 16938, 16940, 16966, 17010, 17147, 17181, 17212, 17288, 17662, 17684, 17704, 17732, 17733
Features:
 • Made in Japan to OE Specifications



69-8321
Brush Holder Assy.
12 Volt

For: Mando/Valeo PMGR Starters
Used On: (2002-01) Chrysler
Lester Nos: 17829*
Note: *Used on Mando/Valeo version of Lester 17829, WAI 2-2326-MI

Mitsuba



69-8501
Brush Holder Assy.
12 Volt

For: Mitsuba PMOSGR Starters
Used On: (2002-97) Acura, Honda, Isuzu
Unit Nos: Mitsuba SM442-01, -02, -08, -09, -10, -22, -23, -24
Lester Nos: 16975, 17721, 17728, 17729, 17741, 17742, 17743, 17744
WAI Ref. Nos: 2-1020-MT, 2-1867-MT, 2-1938-MT, 2-1939-MT, 2-1940-MT, 2-1941-MT, 2-1993-MT

STARTER - BRUSH HOLDERS (69-)

BRUSH HOLDER ASSYS.

Mitsubishi



69-8300

Brush Holder Assy.

12 Volt

For: Mitsubishi OSGR Starters

Used On: (1987-82) Dodge, Ford, Mazda, Mitsubishi (Diesel)

Unit Nos: Mitsubishi M2T60071, M2T60072, M2T60073, M2T60171, M2T60185, M2T60271, M2T60371, M2T92071, M2T92271

Lester Nos: 16744 Late, 16799 Late, 16854, 16857, 17036

WAI Ref. Nos: 2-1138-MI, 2-1143-MI, 2-1170-MI, 2-1249-MI, 2-1451-MI

Note: Without 68-8308 field brush

Components:

68-8309 Brush

Features:

- Best Value



69-8301

Brush Holder Assy.

12 Volt

For: Mitsubishi OSGR Starters

Used On: (1994-82) Ford (Diesel), Mazda (Diesel); Case, Caterpillar, Kobelco, Komatsu, Mitsubishi Forklift, Mitsubishi-Fuso Truck, Yale

Replaces: Ford E5PF-11434-AA, E5PZ-11061-A, SBE-324; Mazda S203-24-750; Mitsubishi M649T04971, M649T04972; Mitsubishi Motors ME700047, ME700267

Unit Nos: Mitsubishi M3T56076, M3T56174, M3T56181, M3T56182, M3T56183, M3T57371, M3T57575, M3T58071, M3T66071, M3T66072, M3T66073, M3T66074, M3T66572, M3T67171, M3T67172, M3T67281, M3T67282, M3T67283, M3T67671, M3T67771, M3T90071, M3T90072, M3T90271, M3T90273, M3T95071, M3T95171, M3T95172

(cont'd.)

(con'd)

Lester Nos: 16744 Early, 16799 Early, 17037, 18098, 18099, 18164, 18173, 18174, 18239, 18243

WAI Ref. Nos: 2-1138-MI, 2-1249-MI, 2-1254-MI, 2-1928-MI, 2-2087-MI, 2-2092-MI, 2-2237-MI

Note: Without 68-8308 field brush.

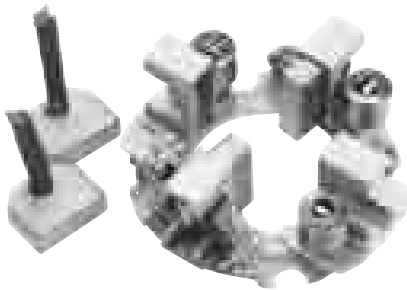
For 24 volt brush holder assy. use 69-8314-1.

Components:

68-8309 Brush

Features:

- Premium Quality



69-8306

Brush Holder Assy.

12 Volt

For: Mitsubishi DD, OSGR Starters

Used On: (1988-71) Dodge, Mazda, Mitsubishi, Nissan, Plymouth; Mitsubishi Lift Truck, Nissan Lift Truck, Onan, Yale

Lester Nos: 16203, 209, 210, 268, 495, 500, 513, 514, 519, 520, 522, 524, 527, 588, 708, 728, 741, 742, 774, 792, 793, 794, 795, 796, 805, 816, 858, 938; 17332

Components:

68-8300 Brush

Features:

- Premium Quality

69-8301-1

Brush Holder Assy.

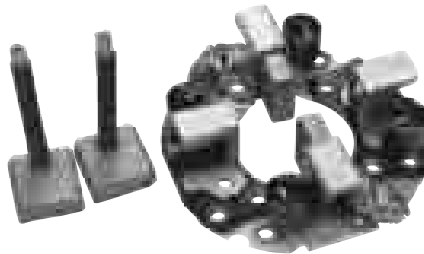
12 Volt

Same as 69-8301 except...

Note: Includes 68-8308 field brush.

Features:

- Best Value



69-8306-3

Brush Holder Assy.

12 Volt

Same as 69-8306 except...

Features:

- Best Value



69-8302

Brush Holder Assy.

12 Volt

For: Mitsubishi OSGR Starters

Used On: (1983) Dodge, Mitsubishi; Case, Gehl, Onan, Toro, Yale

Unit Nos: Mitsubishi M2T54172, M2T54271, M2T54371, M2T54372, M2T54572, M2T55971, M2T56071, M2T56171, M2T56181, M2T56182, M2T56271, M2T56272, M2T56471, M2T56472, M2T56971, M2T57271, M2T61071, M2T61171, M2T61371, M2T61471, M2T61771, M2T62271, M2T65971

Lester Nos: 16744, 16853, 17008

WAI Ref. Nos: 2-1138-MI, 2-1169-MI, 2-1732-MI, 2-1781-MI, 2-1963-MI, 2-2024-MI, 2-2093-MI, 2-2102-MI

Note: Includes field & grd. brushes.

Components:

68-8306 Brush

Features:

- Best Value

69-8308

Brush Holder Assy.

12 Volt

For: Mando, Mitsubishi PMGR Starters

Used On: (2005-85) Chevrolet, Chrysler, Dodge, Eagle, Ford, Geo, Hyundai, Infiniti, Jeep, Mazda, Mercury, Mitsubishi, Nissan, Plymouth, Subaru, Suzuki; Caterpillar, Clark

Lester Nos: 16874, 888, 900, 930, 931, 933, 939, 998; 17046, 131, 132, 133, 142, 146, 151, 161, 166, 167, 176, 185, 192, 217, 221, 246, 266, 425, 437, 448, 451, 461, 469, 470, 478, 479, 480, 505, 514, 539, 557, 559, 561, 564, 566, 599, 686, 689, 708, 768

Note: Without 68-8312 or 68-8313 field brush

Components:

68-8315 Brush

69-83701 Brush Spring

69-83702 Brush Spring

Features:

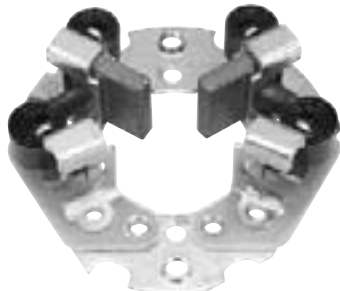
- Premium Quality

69-8308-1
Brush Holder Assy.
12 Volt

Same as 69-8308 except...

Features:

- Best Value



69-8309
Brush Holder Assy.
12 Volt

For: Mitsubishi PMGR Starters

Used On: (2002-85) AMC, Chevrolet, Dodge, Eagle, Ford, Geo, Infiniti, Jeep, Mazda, Subaru, Suzuki

Unit Nos: Mitsubishi M1T74081, M1T74181, M1T74281, M1T74283, M1T74381, M1T74481, M1T74482, M1T74581, M1T74583, M1T74781, M1T74781A, M1T75181, M1T75281, M1T75283, M1T75381, M1T75581, M1T75681, M1T76081, M1T76281

Lester Nos: 16889, 16932, 17006, 17046, 17133, 17142, 17175, 17180, 17194, 17206, 17467, 17470, 17541

WAI Ref. Nos: 2-1145-MI, 2-1150-MI, 2-1189-MI, 2-1209-MI, 2-1223-MI, 2-1232-MI, 2-1234-MI, 2-1239-MI, 2-1546-MI, 2-1547-MI

Note: Without 68-8311 or 68-8317 field brush

Components:

- 68-8314 Brush



69-8311
Brush Holder Assy.
12 Volt

For: Mitsubishi OSGR Starters

Used On: (1994-81) Dodge, Mazda, Mitsubishi, Nissan, Plymouth; Bobcat, Clark, Ford Tractor, Gehl, IHC, Ingersoll-Rand, Nissan Lift Truck, Onan, Perkins, Toro
(cont'd.)

(cont'd.)

Lester Nos: 16584, 16717, 16720, 16803, 16816, 16855, 16866, 16875, 16935, 16982, 17110, 17173, 17178

WAI Ref. Nos: 2-1082-MI, 2-1104-MI, 2-1105-MI, 2-1108-MI, 2-1119-MI, 2-1137-MI, 2-1154-MI, 2-1167-MI, 2-1172-MI, 2-1438-MI, 2-1454-MI, 2-1550-MI, 2-1612-MI, 2-1733-MI, 2-1780-MI

Features:

- Best Value



69-8312
Brush Holder Assy.
12 Volt

For: Mitsubishi PLGR Starters

Used On: (2000-94) Ford E Series Van, Excursion, F Series Pickup 7.3L (Diesel)

Replaces: Ford F4TZ-11061-A, SBE-351

Unit Nos: Ford F4PU-11000-AA; F4TZ-11002-A, -B; F5TU-11000-AA, -AB; Mitsubishi M8T50071, M8T50171, M8T55171

Lester Nos: 17577, 17578

WAI Ref. Nos: 2-1747-MI, 2-1748-MI

Note: Without 68-8308 field brush

Components:

- 68-8309 Brush

Features:

- Premium Quality

69-8312-1
Brush Holder Assy.
12 Volt

Same as 69-8312 except...

Features:

- Best Value



69-8313-3
Brush Holder Assy.
12 Volt

For: Mitsubishi PMGR Starters

Used On: (2004-95) Chrysler, Dodge, Mazda, Mitsubishi, Nissan, Subaru

Replaces: Mazda JE49-18-X70; Mitsubishi Motors MD619097, MD619311; Nissan 23378-86G11

Unit Nos: Mitsubishi M0T60081, M0T60082, M0T80281, M0T80381, M0T80581, M0T80981, M0T81081, M0T81281, M0T81284, M0T81681, M0T82281, M0T83981, M0T85981, M1T60285, M1T84181; M1T86281, ZC

Lester Nos: 17425, 17685, 17688, 17691, 17717, 17726, 17734, 17765, 17766, 17772, 17775

WAI Ref. Nos: 2-1121-MI, 2-1847-MI, 2-1849-MI, 2-1854-MI, 2-1862-MI, 2-1864-MI, 2-1950-MI, 2-1952-MI, 2-1968-MI, 2-1992-MI, 2-2021-MI, 2-2328-MI



69-8314-1
Brush Holder Assy.
24 Volt

For: Mitsubishi OSGR Starters

Used On: Komatsu, Nissan Lift Trucks

Replaces: Mitsubishi Motors ME700939

Unit Nos: Mitsubishi M3T56071, M3T56072, M3T56082, M3T95082

Lester Nos: 18242, 18243

WAI Ref. Nos: 2-1913-MI, 2-2237-MI

Note: For 12 volt brush holder assy. use 69-8301.

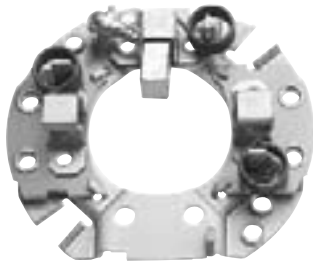
Features:

- Best Value

STARTER - BRUSH HOLDERS (69-)

BRUSH HOLDER ASSYS.

Mitsubishi (cont'd.)



69-8315

**Brush Holder Assy.
12 Volt**

For: Mando, Mitsubishi DD Starters

Used On: (2002-81) Dodge, Eagle, Ford, Hyundai, Kia, Mazda, Mercury, Mitsubishi, Nissan, Plymouth, Suzuki; John Deere, Kubota, Lincoln Electric, Mitsubishi Lift Truck, Nissan Lift Truck, Onan, Woods, Yale

Unit Nos: Mando MC107023, MC108027, MC109018, MC109021, MC109028, MC109032; Mitsubishi M2T20181D, 30481, 30581, 30981, 31081, 32281, 32581, 37081, 42381, 42985, 43681, 43781, 43881, 44781, 49881; M3M10476; M3Q38882; M3T10476D, 21781D, 21882D, 27686H, 27781, 27781D, 29482D, 30081, 30082, 30281, 30282, 30285, 30286, 30381, 30382, 30581, 30781, 30782, 30881, 30981, 32581, 32582, 32583, 32589, 32591, 32592, 32593, 32681, 32782, 32782D, 33081, 33182, 33282, 33581, 33582, 33582A, 33583, 33585, 33586, 33586A, 33586D, 33587, 33588, 34782, 35081, 35082, 36081, 37481, 37781, 37782, 38481, 38581, 38682, 38881, 38881A, 38881B, 38881C, 38882, 38882A, 38882B, 38882C, 38883, 38884, 38885, 39385, 39981, 41081, 41083, 41181, 41285, 41381, 41781, 42781, 42881, 43381, 44081, 70381; M3V38881, 38882

Lester Nos: 16514, 16527, 16579, 16708, 16711, 16728, 16729, 16741, 16742, 16774, 16775, 16793, 16794, 16856, 16859, 16922, 16938, 16940, 16966, 17010, 17147, 17181, 17212, 17288, 17662, 17684, 17704, 17732, 17733

Features:

- Made in Japan to OE Specifications



69-8317

**Brush Holder Assy.
12 Volt**

For: Mitsubishi PMGR Starters

Used On: (2005-95) Infiniti, Mazda, Nissan

Replaces: Mazda BPD4-18-X70, Nissan 23378-0W010

Unit Nos: Mazda BPD4-18-400, A; Mitsubishi MOT60181, MOT80081; Nissan 23300-0W010, -0W011

Lester Nos: 17592, 17683

WAI Ref. Nos: 2-1848-MI, 2-1850-MI



69-8318

**Brush Holder Assy.
12 Volt**

For: Mitsubishi PMGR Starters

Used On: (2005-95) Chevrolet, Chrysler, Dodge, Jeep, Mitsubishi, Nissan, Plymouth, Suzuki

Replaces: Mitsubishi Motors MD619309, Nissan 23378-9E010

Unit Nos: Mitsubishi MOT60186, MOT60187, MOT80783, MOT84881ZC, MOT85081, MOT85881, MOT86481, MOT91181ZC, M1T78681, M1T79482, M1T84381, M1T84981, M1T85881, M1T86081, M1T86181, M1T86182

Lester Nos: 17561, 17564, 17738, 17740, 17749, 17754, 17783, 17795, 17797, 17829, 17836, 17837, 17838

WAI Ref. Nos: 2-1782-MI, 2-1820-MI, 2-1936-MI, 2-1966-MI, 2-1978-MI, 2-1991-MI, 2-2003-MI, 2-2029-MI, 2-2117-MI, 2-2118-MI, 2-2119-MI, 2-2120-MI, 2-2121-MI, 2-2326-MI



69-8319

**Brush Holder Assy.
12 Volt**

For: Mitsubishi PMGR Starters

Used On: (1998-91) Chevrolet, Geo, Suzuki

Unit Nos: GM 91174247, 96065611; Mitsubishi M1T74583; Suzuki 31100-60A12, -60A13

Lester Nos: 17194

WAI Ref. Nos: 2-1239-MI



69-8320

**Brush Holder Assy.
12 Volt**

For: Mitsubishi PMGR Starters

Used On: (2005-97) Chrysler, Dodge, Mercury, Mitsubishi, Nissan, Subaru

Unit Nos: Mitsubishi M1T68081, M1T68781, M1T68781ZC, M1T84281, M1T84481, M1T84883

Lester Nos: 17479, 17722, 17723, 17767, 17796, 17835

WAI Ref. Nos: 2-1772-MI, 2-1859-MI, 2-1865-MI, 2-2033-MI, 2-2343-MI

STARTER - BRUSH HOLDERS (69-)



69-8322
Brush Holder Assy.
12 Volt

For: Mitsubishi PMGR Starters
Used On: (2002-01) Mitsubishi
Unit Nos: Mitsubishi M1T84884;
Mitsubishi Motors MD362910, D
Lester Nos: 17796
WAI Ref. Nos: 2-2033-MI



69-8323
Brush Holder Assy.
12 Volt

For: Mitsubishi PMGR Starters
Used On: (2005-01) Chrysler, Dodge,
Mitsubishi
Unit Nos: Mitsubishi M0T80784,
Mitsubishi Motors MD363633
Lester Nos: 17795
WAI Ref. Nos: 2-2029-MI



69-8324
Brush Holder Assy.
12 Volt

For: Mitsubishi PMGR Starters
Used On: (2002) Jeep
Unit Nos: Chrysler 56041641AC,
Mitsubishi M1T86883
Lester Nos: 17877
WAI Ref. Nos: 2-2342-MI

Nippondenso



69-8200
Brush Holder Assy.
12 Volt

For: Nippondenso 1.0kW, 1.4kW Early
OSGR Starters w/ Internal Thru Bolts
Used On: (1983-72) Honda, Toyota;
Carrier, Caterpillar, Ishikawajima, Isuzu,
John Deere, Kohler, Kubota, Thermo
King, Yanmar
Lester Nos: 16236, 16248, 16249,
16251, 16578, 16585, 16586, 16600,
16672, 16674, 16758, 16759, 16760,
17100
WAI Ref. Nos: 2-1005-ND, 2-1007-ND,
2-1024-ND, 2-1025-ND, 2-1026-ND,
2-1029-ND, 2-1036-ND, 2-1415-ND,
2-1439-ND, 2-1737-ND, 2-1742-ND,
2-1960-ND, 2-2131-ND
Components:
68-8200 Brush
69-82701 Brush Spring



69-8201
Brush Holder Assy.
12 Volt

For: Nippondenso 1.4kW, 1.6kW OSGR
Starters w/ Cast Aluminum C.E. Frame &
67mm Field Case Length
Used On: (2005-81) Acura, Cadillac,
Chevrolet, Chrysler, Dodge, Geo, Honda,
Isuzu, Lexus, Plymouth, Toyota; Bobcat,
Carrier, Caterpillar, Ford New Holland,
Kubota, Teledyne Continental, Thermo
King, Toyota Lift Truck, Yanmar
Replaces: GM 94840320, Honda
31208-PC2-661, 31208-PR4-003; Isuzu
8-94170-211-0, 8-94377-249-0,
8-97041-424-0; Toyota 28140-15090,
-35060, -65020, -76070
Lester Nos: 16586, 600, 647, 650,
657, 737, 800, 802, 823, 831, 834, 835,
837, 884, 890, 905, 906, 946, 979;
17002, 003, 014, 020, 083, 084, 091,
098, 101, 117, 119, 125, 129, 197, 202,
216, 255, 256, 259, 273, 367, 368, 374,
379, 381, 384, 392, 397, 422, 423, 424,
466, 481, 485, 487, 493, 494, 516, 517,
519, 523, 524, 525, 526, 529, 530, 532,
546, 549, 562, 573, 574, 579, 606, 612,
619, 620, 622, 668, 671, 707, 727, 735,
747, 791; 18019, 140, 141, 142, 144,
175, 182, 277, 410
Components:
68-8210 Brush
69-82701 Brush Spring

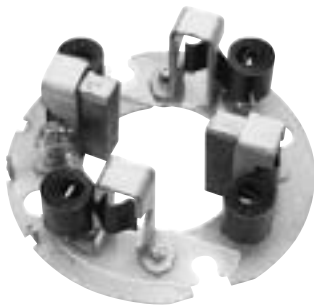
69-8201-3
Brush Holder Assy.
12 Volt

Same as 69-8201 except...
Features:
• Best Value

STARTER - BRUSH HOLDERS (69-)

BRUSH HOLDER ASSYS.

Nippondenso (cont'd.)



69-8202
Brush Holder Assy.
12 Volt

For: Nippondenso 2.0kW OSGR Starters
Used On: (1996-81) Chevrolet, Dodge, GMC, Isuzu, Lexus, Toyota; Allis-Chalmers, Caterpillar, Komatsu, Kubota, Mitsui-Deutz, Thermo King
Unit Nos: Nippondenso 028000-700, -737, -766, -774, -779, -813, -837, -876, -903, -983; 128000-002, -004, -057, -096, -104, -207, -216, -228, -288, -310, -640, -650, -730-738; 228000-024, -040, -069, -219, -297
Lester Nos: 16739, 16822, 17189, 17547
WAI Ref. Nos: 2-1046-ND, 2-1075-ND, 2-1193-ND, 2-1716-ND, 2-1744-ND
Note: Without 68-8208 field brush
Components: 68-8225 Brush
Features:
• Best Value



69-8203
Brush Holder Assy.
12-24 Volt

For: Nippondenso 2.5kW, 4.5kW OSGR Starters
Used On: (2000-81) Dodge, Toyota; Allis-Chalmers, Case, Caterpillar, Cummins, Daihatsu, Hino, Isuzu Truck, John Deere, Komatsu, Kubota, Mitsui-Deutz, Teledyne Continental, Toyota Lift Truck, Versatile, White, Yanmar
Lester Nos: 16614, 16656, 16658, 16824, 16830, 16967, 16981, 16990, 17302, 17362, 17548
(cont'd.)

(cont'd.)

WAI Ref. Nos: 2-1037-ND, 2-1047-ND, 2-1526-ND, 2-1726-ND, 2-1730-ND, 2-1731-ND, 2-1739-ND, 2-1750-ND, 2-1752-ND, 2-1753-ND, 2-1754-ND, 2-2104-ND, 2-2105-ND, 2-2106-ND
Note: Without 68-8207 field brush
Features:
• Best Value



69-8204
Brush Holder Assy.
12-24 Volt

For: Nippondenso 2.5kW, 4.0kW, 7.5kW DD Starters
Used On: Allis-Chalmers, Case, Caterpillar, Hino, Isuzu, John Deere, Onan
Unit Nos: Nippondenso 028000-329, 028000-365, 028000-393, 028000-397, 028000-487, 028000-493, 028000-504, 028000-525, 028000-592, 028000-596, 028000-692, 028000-743, 128000-026, 128000-048, 128000-077, 128000-200, 128000-369, 128000-434
Lester Nos: 16641, 16643, 16655, 17371
WAI Ref. Nos: 2-1962-ND, 2-2028-ND, 2-2044-ND, 2-2045-ND
Note: Without 68-8204 brush
Features:
• Mfd. by OE Supplier



69-8205
Brush Holder Assy.
12 Volt

For: Nippondenso 1.4kW, 1.6kW CCW OSGR Starters
Used On: (2005-84) Acura, Daihatsu, Lexus, Sterling, Subaru, Toyota
(cont'd.)

(cont'd.)

Unit Nos: Nippondenso 028000-980, 128000-123, 128000-221, 128000-283, 128000-348, 128000-564, 128000-595, 128000-720, 128000-739, 128000-777, 128000-799, 128000-832, 128000-840, 128000-971, 128000-972, 228000-083, 228000-250, 228000-465, 228000-568, 228000-617, 228000-628, 228000-714
Lester Nos: 16696, 16839, 16978, 17169, 17242, 17263, 17274, 17297, 17400, 17534, 17715, 17774
WAI Ref. Nos: 2-1002-ND, 2-1004-ND, 2-1056-ND, 2-1206-ND, 2-1215-ND, 2-1219-ND, 2-1404-ND, 2-1704-ND, 2-1835-ND, 2-1984-ND
Note: Without 68-8210 brush
Components: 69-82701 Brush Spring
Features:
• Best Value



69-8206-1
Brush Holder Assy.
12 Volt

For: Nippondenso 1.0kW, 1.2kW OSGR Starters w/ Stamped Steel C.E. Frame
Lester Nos: 16248, 251, 585, 586, 612, 676, 736, 737, 746, 761, 763, 786, 790, 821, 825, 826, 827, 828, 829, 833, 849, 878, 891, 892, 895, 913; 17007, 050, 143, 155, 171, 251, 254, 264, 265, 298, 420, 421, 457, 483, 487, 495, 520, 521, 666, 681, 682
Note: Without 68-8210 brush
Components: 69-82701 Brush Spring



69-8207-1
Brush Holder Assy.
12 Volt

For: Nippondenso 1.2kW OSGR Starters w/ Cast Aluminum C.E. Frame & 45mm Field Case Length
(cont'd.)

(cont'd.)

Used On: (2002-90) Acura, Chrysler, Dodge, Eagle, Geo, Honda, Isuzu, Plymouth, Toyota; Harley-Davidson

Unit Nos: Nippondenso 128000-701, 128000-712, 128000-756, 128000-771, 128000-822, 128000-845, 128000-878, 128000-938, 128000-975, 228000-036, 228000-047, 228000-071, 228000-090, 228000-162, 228000-255, 228000-301, 228000-303, 228000-328, 228000-399, 228000-642, 228000-720

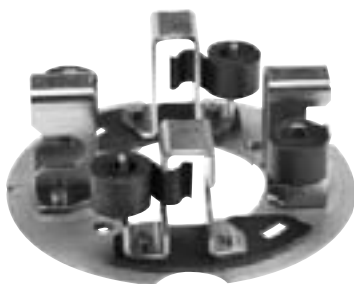
Lester Nos: 16878, 17197, 17202, 17204, 17240, 17285, 17460, 17464, 17465, 17526, 17531, 17536, 17537, 17570, 17571, 17584

WAI Ref. Nos: 2-1197-ND, 2-1202-ND, 2-1203-ND, 2-1399-ND, 2-1401-ND, 2-1527-ND, 2-1528-ND, 2-1585-ND, 2-1695-ND, 2-1697-ND, 2-1698-ND, 2-1706-ND, 2-1821-ND, 2-1823-ND, 2-1827-ND, 2-1931-ND

Note: Without brushes

Features:

- Best Value



69-8208
Brush Holder Assy.
12-24 Volt

For: Nippondenso 3.0kW, 5.5kW OSGR Starters

Used On: (1993-89) Chevrolet, Dodge; Case, Caterpillar, Cummins, GMC Truck, Isuzu Truck

Unit Nos: Nippondenso 128000-049, 128000-245, 128000-247, 128000-256, 128000-274, 128000-422, 128000-468, 128000-491, 128000-537, 128000-551, 128000-562, 128000-572, 128000-573, 228000-331, 228000-332, 228000-573, 228000-585

Lester Nos: 16881, 17215, 17391

WAI Ref. Nos: 2-1397-ND, 2-1745-ND, 2-1751-ND

Note: Without 68-8216, 68-8217 brushes



69-8210
Brush Holder Assy.
12 Volt, CCW

For: Nippondenso 1.0kW OSGR CCW Starters

Used On: (1994-81) Lexus, Subaru, Toyota

Unit Nos: Nippondenso 028000-760, 028000-858, 128000-122, 128000-347, 128000-594, 128000-719, 128000-827

Lester Nos: 16730, 16893, 17170

WAI Ref. Nos: 2-1055-ND, 2-1207-ND, 2-1216-ND

Components:

68-8210 Brush

69-82701 Brush Spring



69-8211
Brush Holder Assy.
12 Volt

For: Nippondenso PLGR Starters

Used On: (2003-89) Acura, Chevrolet, Geo, Honda, Isuzu, Suzuki, Toyota; Link-Belt Construction

Unit Nos: Nippondenso 128000-621, -642, -740, -853, -889; 228000-402, -403, -540, -591, -646, -676, -833, -854, -855; 428000-032

Lester Nos: 17142, 17203, 17252, 17253, 17679, 17680, 17703, 17803, 17805, 17806, 17845

WAI Ref. Nos: 2-1189-ND, 2-1201-ND, 2-1543-ND, 2-1544-ND, 2-1693-ND, 2-1839-ND, 2-1840-ND, 2-1841-ND, 2-1959-ND, 2-2050-ND, 2-2057-ND, 2-2058-ND, 2-2331-ND

BRUSH HOLDER PARTS

Bosch



69-91703
Brush Spring

For: Bosch 362, 363, 366 Series DD Starters

Replaces: Bosch 2-004-618-004

Dim: 10.2mm OD x 26mm OAL x .8mm Wire Dia.

Note: Used in 69-9105 brush holder assy.



69-91704
Brush Spring

For: Bosch 367, 368 Series DD Starters

Replaces: Bosch 2-004-616-006, 2-004-616-007

Note: Used in 69-9100, 69-9106 brush holder assys.



69-91706
Brush Spring

For: Bosch 108 Series PMGR Starters

Used On: (2005-83) Alfa Romeo, Audi, BMW, Cadillac, Chrysler, Dodge, Eagle, Jeep, Land Rover, Mercedes, Merkur, Plymouth, Pontiac, Porsche, Renault, Saab, VW, Volvo

Note: Used in 69-9111 brush holder assys.



69-91707
Brush Spring

For: Bosch 110 Series PMGR Starters

Used On: (2002-82) Audi, BMW, Chrysler, Dodge, Jaguar, Mercedes, Plymouth, Porsche, VW, Volvo, Winnebago

Note: Used in 69-9113, 69-9115 brush holder assys.

STARTER - BRUSH HOLDERS (69-)

BRUSH HOLDER PARTS

Bosch (cont'd.)



69-91708

Brush Spring

For: Bosch 107 Series PMGR Starters

Used On: (2005-91) Audi, Chrysler, Dodge, Eagle, Mitsubishi, Plymouth, VW

Unit Nos: Bosch 0-001-107-003, -004, -005, -006, -007, -008, -020, -021, -022, -023, -024, -031, -032, -049;

0-001-121-006, -008, -009, -010; 9-007-045-009, -018

WAI Ref. Nos: 2-1373-BO, 2-1376-BO, 2-1519-BO, 2-1532-BO, 2-1534-BO, 2-1681-BO, 2-1921-BO, 2-1937-BO, 2-1975-BO, 2-2116-BO

Note: Used in 69-9116, 69-9121 brush holder assys.



71-91309

Boot - Brush Holder

For: Bosch 107, 108, 110 Series PMGR Starters

Used On: (2005-91) Audi, BMW, Cadillac, Chrysler, Dodge, Eagle, Land Rover, Mitsubishi, Plymouth, Porsche, Saab, VW, Volvo, Winnebago

Unit Nos: Bosch 0-001-107-003, -004, -005, -006, -007, -008, -020, -021, -022, -023, -024, -031, -032, -049;

0-001-108-070, -103, -104, -105, -134, -135, -137, -144, -150, -153, -157, -169, -171, -184; 0-001-109-008;

0-001-110-031, -061, -062, -063, -072, -073, -086, -087, -112, -118;

0-001-121-006, -008, -009, -010;

0-001-124-001, -002, -005, -006;

0-001-125-005, -006, -018, -019;

9-007-045-009, -018

Lester Nos: 16963, 17210, 17222, 17223, 17231, 17279, 17408, 17415, 17416, 17417, 17497, 17508, 17560, 17563, 17572, 17663, 17702, 17720, 17724, 17725, 17736, 17780, 17781, 17782

Note: Used w/ 68-9140, 68-9143, 68-9144 brush & lead assys.

Chrysler



69-3200

Brush Holder

For: Chrysler 1.5 HP, 1.8 HP OSGR Starters

Replaces: Chrysler 2875555, 3755741

Note: Used in 69-301 brush holder assy.

Features:

- Best Value



69-3700

Brush Spring

For: Chrysler Early, 1.5 HP, 1.8 HP OSGR; Ford 4-1/2" DD Starters

Replaces: Chrysler 2084666; Ford D1AZ-11059-A

Note: Used in 52-207 C.E. plate; 69-300, 69-301 brush holder assys.



76-3550

Battery Terminal

For: Chrysler 1.5 HP, 1.8 HP OSGR Starters

Replaces: Chrysler 2095149

Dim: 5/16-18

Note: Used in 69-300, 69-301 brush holder assy.

Delco



69-1200

Brush Holder

For: Delco 5MT, SD200, SD250 Series DD Starters

Replaces: Delco 1893293



69-1201

Brush Holder - Ground

For: Delco 8MT, 10MT, 20-27MT*, 30MT, 35MT, SD300 Series DD Starters

Replaces: Delco 1940477, D782

Note: *20-27MT series w/ step-down field case.

69-1201 is late style w/ round shape pivot arm.

Features:

- Premium Quality



69-1201-1

Brush Holder - Ground

Same as 69-1201 except...

Features:

- Premium Quality



69-1201-2

Brush Holder - Ground

Same as 69-1201 except...

Features:

- Premium Quality



69-1201-3

Brush Holder - Ground

Same as 69-1201 except...

Features:

- Best Value

STARTER - BRUSH HOLDERS (69-)



69-1202

Brush Holder - Insulated

For: Delco 8MT, 10MT, 15GR, 20MT, 22MT, 25MT, 27MT, 30MT, 35MT, SD300 Series Starters

Replaces: Delco 800091, 1988414, D771

Note: Phenolic, 8-32 threads

69-1202-1

Brush Holder - Insulated

Same as 69-1202 except...

Note: Same as 69-1202 except glass-filled polyester, unthreaded. For automotive applications only. Resistant to cracking or stripping threads.

69-1202-2

Brush Holder - Insulated

Same as 69-1202 except...

Note: Same as 69-1202 except phenolic, unthreaded



69-1204

Brush Holder - Ground

For: Delco 15GR, 22MT*, 27MT* Series Starters

Replaces: Delco 1876359

Note: *20-27MT series w/ straight field case



69-1205

Brush Holder - Insulated

For: Delco 30MT, 35MT Series DD Starters w/ Insulated System

Replaces: Delco 1952135

Note: Phenolic, 8-32 threads



69-1215

Brush Rack

For: Delco 37MT Series DD Starters

Note: Used in 79-1158 Brush Holder Kit.



69-1404

Insulator - Brush Holder

For: Delco 37MT, 41MT, 42MT Series DD Starters

Replaces: Delco 1988124, Ref# S-1524

Note: Used in 69-103, 69-105, 69-108, 69-111 brush holder assys. and 79-1131 insulator kit. Used w/ 69-1409 insulator.



69-1409

Insulator - Brush Holder

For: Delco 37MT, 41MT, 42MT Series DD Starters

Replaces: Ref# S-1526

Dim: #8 ID x 15/32 OD

Note: Used in 69-103, 69-105, 69-108, 69-111 brush holder assys. Used w/ 69-1404 insulator.



69-1500

Brush Rack

For: Delco 5MT, SD200, SD250 Series DD Starters

Note: Used in 69-106 brush holder & rack assy.



69-1501

Pin - Brush Holder

For: Delco 8MT, 10MT, 15GR, 20MT, 22MT, 25MT, 27MT, 30MT*, 35MT*, SD300 Series Starters

Replaces: Delco 1926600, 1938058, 1966923

Note: *30MT, 35MT internal rotatable starters



69-1503

Support - Brush Holder

For: Delco 8MT, 10MT, 20MT*, 25MT*, SD300 Series DD Starters

Replaces: Delco 830803

Note: *20-27MT series w/ step-down field case

Features:

- Premium Quality

69-1503-3

Support - Brush Holder

Same as 69-1503 except...

Features:

- Best Value



69-1504

Support - Brush Holder

For: Delco 15GR, 22MT*, 27MT* Series Starters

Replaces: Delco 1892201; 1876458 (set no.)

Note: *20-27MT series w/ straight field case. Used in 79-1167 support kit.

STARTER - BRUSH HOLDERS (69-)

BRUSH HOLDER PARTS

Delco (cont'd.)



69-1505

Support - Brush Holder

For: Delco 30MT, 35MT Series DD Starters

Replaces: Delco 1877164; 1945923 (set no.)



69-1515

Pin - Brush Holder

For: Delco 30MT, 35MT Series External Rotatable DD Starters

Replaces: Delco 1851977



69-1700

Brush Spring

For: Delco 5MT, SD200, SD250 Series DD Starters

Note: Used in 69-106 brush holder & rack assy.



69-1701

Brush Spring

For: Delco 8MT, 10MT, 20MT*, 25MT*, SD300 Series DD Starters

Replaces: Delco 1940475, 10498866, D4954

Note: *20-27MT series w/ step-down field case



69-1703

Brush Spring

For: Delco 30MT, 35MT Series DD Starters

Replaces: Delco 1945620, 1979994, D3984



69-1704

Brush Spring

For: Delco 40MT, 50MT Series DD Starters

Replaces: Delco 1861785
Note: Used in 69-101, 69-104 brush holder assys.



69-1705

Brush Spring

For: Delco 40MT, 50MT Series DD Starters

Replaces: Delco 1979391
Note: Used in 69-102, 69-115 brush holder assys.



69-1706

Brush Spring

For: Delco 37MT, 41MT, 42MT Series DD Starters

Replaces: Delco 1985314
Note: Used in 69-103, 69-105, 69-108, 69-111 brush holder assys.

Features:
• Mfd. in USA



69-1707

Brush Spring

For: Delco 15GR, 22MT*, 27MT* Series Starters

Replaces: Delco 1986019, D3984

Note: *20-27MT series w/ straight field case



69-1708

Brush Spring

For: Delco PG200, PG250 Series PMGR; SD205, SD210, SD255, SD260 Series DD Starters

Replaces: Delco 10467621, 10498543, D4956

Note: Used in 69-107, 69-109 brush holder assys.



69-1709

Brush Spring

For: Delco PG260M Series PMGR Starters

Note: Used in 69-114 brush holder assy.



69-1710

Brush Spring

For: Delco PG150, PG150S, PG260F1, PG260G Series PMGR Starters

Note: Used in 69-113 brush holder assy.

STARTER - BRUSH HOLDERS (69-)



69-84700

Brush Spring

For: Delco 28MT Series OSGR Starters

Replaces: Delco 10456460

Note: Used in 69-8400 brush holder assy.



79-1131

Insulator Kit - Brush Holder

For: Delco 37MT, 41MT, 42MT Series DD Starters

Note: Used in 69-103, 69-105, 69-108, 69-111 brush holder assys.

Components:

69-1404 Insulator



79-1158

Brush Holder Kit

For: Delco 37MT Series DD Starters

Note: Used on 69-105 brush holder assy.

Components:

69-1215 Brush Holder

69-1516 Shim

69-1706 Brush Spring

79-1131 Insulator Kit

Ford



42-2317

Insulating Washer - Brush Holder

For: Ford Inertia Drive Starters

Replaces: Ford B-11073, Ref# S-568

Dim: #6 ID x 5/16 OD x .065 T

Note: Used for insulating brush holder.

Features:

- Fiber



69-2200

Brush Holder

For: Ford 4" DD Starters

Replaces: Ford C2DF-11061-A



69-2201

Brush Holder

For: Ford 4" Mod I; 4-1/2" Mod I, Mod II DD Starters

Replaces: Ford D7AZ-11061-A, SB-177

Lester Nos: 3152, 3153, 3154, 3155, 3156, 3157, 3158, 3160, 3168, 3169, 3170, 3172, 3174, 3176, 3179

Features:

- Premium Quality

69-2201-3

Brush Holder

Same as 69-2201 except...

Features:

- Best Value



69-2202

Brush Holder

For: Ford 4" Mod II* DD Starters

Replaces: Ford E3FZ-11061-A, E4AZ-11061-A, SB-311, SB-320

Lester Nos: 3133, 3180, 3181, 3185, 3187, 3188, 3189, 3191, 3196, 3198

Note: *4" Mod II starters w/ shallow C.E. cover

69-2202-3

Brush Holder

Same as 69-2202 except...

Features:

- Best Value



69-2203

Brush Holder

For: Ford 4-1/2" DD Starters

Note: Used in 52-207 C.E. plate



69-2204

Brush Holder

For: Ford 4" Mod II* DD Starters

Replaces: Ford E2BZ-11061-A, SB-185

Lester Nos: 3175, 3180, 3185, 3191

Note: *4" Mod II starters w/ deep C.E. cover

Features:

- Best Value

STARTER - BRUSH HOLDERS (69-)

BRUSH HOLDER PARTS

Ford (cont'd.)



69-2206
Brush Holder

For: Ford PMGR Starters
Note: Used in 69-201 brush holder assy.
Features:
• Premium Quality

69-2206-1
Brush Holder

Same as 69-2206 except...
Features:
• Best Value



69-2400
Insulator - Brush Holder

For: Ford 4-1/2" DD Starters
Replaces: Ford B-11062
Note: Used in 52-207 C.E. plate. Included in 79-2100 brush holder insulating kit.



69-2401
Insulator - Brush Holder

For: Ford 4" DD Starters
Replaces: Ford C2DF-11062-A, D6ZZ-11062-A
Lester Nos: 3148, 3151



69-2702
Brush Spring

For: Ford 4" Mod I, Mod II; 4-1/2" Mod I, Mod II; OSGR Starters
Replaces: Ford D7AZ-11059-A, MS-519
Note: Used in 69-2201, 69-2202, 69-2204, 69-2205 brush holders



69-2704
Brush Spring

For: Ford PMGR Starters
Note: Used in 69-201 brush holder assy.



69-2706
Brush Spring

For: Ford PMGR Noseless Starters
Note: Used in 69-202 brush holder assy.



69-3700
Brush Spring

For: Chrysler Early, 1.5 HP, 1.8 HP OSGR; Ford 4-1/2" DD Starters
Replaces: Chrysler 2084666; Ford D1AZ-11059-A
Note: Used in 52-207 C.E. plate; 69-300, 69-301 brush holder assys.



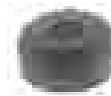
72-2115
Insulator - Brush Holder

For: Ford PMGR Starters
Note: Used in 69-201 brush holder assys.



72-2118
Insulator - Brush Holder

For: Ford PMGR Noseless Starters
Note: Used in 69-202 brush holder assy.



72-2401
Insulator - Brush Holder

For: Ford 4-1/2" DD Starters
Dim: 3.5mm (1/8") ID
Note: Included in 79-2100 brush holder insulating kit



72-2405
Insulator - Brush Holder

For: Ford 4" DD Starters
Replaces: Ford C2DZ-11431-A
Dim: 2.5mm (3/32") ID



76-2304
Bracket - Brush Holder Assy.

For: Ford PMGR, PMGR Noseless Starters
Note: Used in 69-201, 69-202 brush holder assys.

STARTER - BRUSH HOLDERS (69-)



76-2305

Bracket - Grd. Brush

For: Ford PMGR Starters

Note: Used in 68-219 brush assy.



76-2602

Terminal Lead

For: Ford PMGR Starters

Dim: 8mm Eyelet Dia.

Note: Used on late style Ford PMGR starters using solenoids w/ threaded S-terminal post.

Used in 68-220 brush assy.



79-2100

Insulating Kit - Brush Holder

For: Ford 4-1/2" DD Starters

Note: Used in 52-207 C.E. frame

Components:

69-2400 Insulator

72-2401 Insulators

84-3905 Rivets

Lucas



69-92700

Brush Spring

For: Lucas 2M113, M45G, M50, M127 Series DD Starters

Note: Used in 69-9200, 69-9201 brush holder assys.



79-92100

Insulator Kit - Brush Holder

For: Lucas M50, M127 Series DD Starters

Mando



69-83701

**Brush Spring
CW Wound**

For: Mando, Mitsubishi PMGR Starters
Used On: (2005-85) Chevrolet, Chrysler, Dodge, Eagle, Ford, Geo, Hyundai, Infiniti, Jeep, Mazda, Mercury, Mitsubishi, Nissan, Plymouth, Subaru, Suzuki; Caterpillar, Clark

Lester Nos: 16874, 888, 900, 930, 931, 933, 939, 941, 998; 17046, 131, 132, 133, 142, 146, 151, 161, 166, 167, 176, 180, 185, 192, 214, 217, 221, 246, 266, 448, 451, 461, 469, 470, 478, 479, 480, 505, 514, 539, 557, 559, 561, 564, 566, 599, 686, 689, 708, 773

Note: Used in 69-8308 brush holder assy. Used w/ 69-83702 brush spring.



69-83702

**Brush Spring
CCW Wound**

For: Mando, Mitsubishi PMGR Starters
Used On: (2005-85) Chevrolet, Chrysler, Dodge, Eagle, Ford, Geo, Hyundai, Infiniti, Jeep, Mazda, Mercury, Mitsubishi, Nissan, Plymouth, Subaru, Suzuki; Caterpillar, Clark

Lester Nos: 16874, 888, 900, 930, 931, 933, 939, 941, 998; 17046, 131, 132, 133, 142, 146, 151, 161, 166, 167, 176, 180, 185, 192, 214, 217, 221, 246, 266, 448, 451, 461, 469, 470, 478, 479, 480, 505, 514, 539, 557, 559, 561, 564, 566, 599, 686, 689, 708

Note: Used in 69-8308 brush holder assy. Used w/ 69-83701 brush spring.

Mitsubishi



69-83701

**Brush Spring
CW Wound**

For: Mando, Mitsubishi PMGR Starters
Used On: (2005-85) Chevrolet, Chrysler, Dodge, Eagle, Ford, Geo, Hyundai, Infiniti, Jeep, Mazda, Mercury, Mitsubishi, Nissan, Plymouth, Subaru, Suzuki; Caterpillar, Clark

Lester Nos: 16874, 888, 900, 930, 931, 933, 939, 941, 998; 17046, 131, 132, 133, 142, 146, 151, 161, 166, 167, 176, 180, 185, 192, 214, 217, 221, 246, 266, 448, 451, 461, 469, 470, 478, 479, 480, 505, 514, 539, 557, 559, 561, 564, 566, 599, 686, 689, 708, 773

Note: Used in 69-8308 brush holder assy. Used w/ 69-83702 brush spring.

STARTER - BRUSH HOLDERS (69-)

BRUSH HOLDER PARTS

Mitsubishi (cont'd.)



69-83702
Brush Spring
CCW Wound

For: Mando, Mitsubishi PMGR Starters
Used On: (2005-85) Chevrolet, Chrysler, Dodge, Eagle, Ford, Geo, Hyundai, Infiniti, Jeep, Mazda, Mercury, Mitsubishi, Nissan, Plymouth, Subaru, Suzuki; Caterpillar, Clark

Lester Nos: 16874, 888, 900, 930, 931, 933, 939, 941, 998; 17046, 131, 132, 133, 142, 146, 151, 161, 166, 167, 176, 180, 185, 192, 214, 217, 221, 246, 266, 448, 451, 461, 469, 470, 478, 479, 480, 505, 514, 539, 557, 559, 561, 564, 566, 599, 686, 689, 708

Note: Used in 69-8308 brush holder assy. Used w/ 69-83701 brush spring.

Nippondenso



69-82701
Brush Spring

For: Nippondenso 1.0kW, 1.2kW, 1.4kW OSGR Starters

Lester Nos: 16248, 251, 578, 586, 600, 612, 674, 676, 696, 730, 736, 737, 739, 759, 760, 761, 786, 790, 802, 821, 823, 825, 826, 827, 828, 829, 831, 833, 834, 837, 839, 878, 884, 892, 893, 895, 905, 906, 913, 960, 978, 979; 17002, 003, 007, 020, 083, 084, 091, 125, 129, 143, 170, 171, 197, 202, 216, 242, 251, 254, 255, 256, 259, 263, 264, 273, 274, 297, 298, 420, 421, 422, 423, 466, 481, 483, 485, 487, 493, 494, 495, 516, 517, 519, 520, 521, 523, 524, 525, 526, 529, 530, 532, 534, 546, 549, 562, 573, 574, 579, 666, 668, 681, 682, 700, 707, 715, 727, 735, 747, 774, 791, 791

Dim: 8mm W

Note: Used in 69-8200, 69-8201, 69-8205, 69-8206-1 brush holder assys.

Features:

- Best Value

Prestolite



69-6200
Brush Holder

For: Prestolite MGL, MJL, MKQ, MKW Series Starters

Used On: Marine Outboard Applications

Replaces: Prestolite 36-863, MGL-1033B

Valeo



69-94200-1
Brush Holder

For: Ducellier / Valeo DD Starters

Used On: (1987-83) Renault

Unit Nos: Ducellier / Valeo 534003, 534004, 534005, 534007, 534029, 534042, 534043, 534046, 534050

Lester Nos: 16484, 16751, 16797

WAI Ref. Nos: 2-1293-DU, 2-1308-DU



69-94201
Brush Holder

For: Valeo PMGR Starters

Used On: (1999-95) Saturn

Unit Nos: Delco 21023232, 21023719; Valeo D6RA65, D6RA85, D6RA165, D6RA185

Lester Nos: 17667

WAI Ref. Nos: 2-1713-VA



69-94700
Brush Spring

For: Valeo PMGR Starters

Used On: (1999-95) Saturn

Unit Nos: Delco 21023232, 21023719; Valeo D6RA65, D6RA85, D6RA165, D6RA185

Lester Nos: 17667

WAI Ref. Nos: 2-1713-VA



72-94100
Insulator - Brush

For: Valeo PMGR Starters

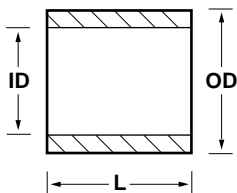
Used On: (1999-95) Saturn

Unit Nos: Delco 21023232, 21023719; Valeo D6RA65, D6RA85, D6RA165, D6RA185

Lester Nos: 17667

WAI Ref. Nos: 2-1713-VA

BUSHING DIMENSION CHART



Bushings are prefit, oil impregnated and 90/10 copper/tin content except where noted

ID		OD		L		WAI No.	Note
mm	in.	mm	in.	mm	in.		
5.10	.2008	9.04	.3558	8.9	.350	62-91200	
6.05	.2380	9.04	.3560	7.1	.281	62-94201	
		10.06	.3960	8.1	.320	62-94200	
6.10	.2400	8.75	.3445	10.8	.425	62-1200	
		10.05	.3955	6.9	.273	62-81200	
				8.0	.315	62-2200	
				10.4	.409	62-1201	
7.09	.2792	9.51	.3745	11.2	.440	62-82200	
7.10	.2795	12.00	.4724	10.0	.394	62-2201	
8.00	.3150	11.12	.4378	8.0	.315	62-91305	
8.04	.3165	11.02	.4340	8.0	.315	62-91302	
8.06	.3175	11.05	.4350	8.3	.325	62-81301	
8.08	.3180	11.93	.4697	9.2	.362	62-1303	
8.10	.3188	12.05	.4745	7.0	.277	62-1304	
		10.92	.4300	11.6	.455	62-83304	
				11.53	.4540	11.6	.455
9.19	.3620	13.08	.5150	13.5	.530	62-81300	Not Prefit
9.53	.3750	12.78	.5030	12.7	.500	62-6300	
9.64	.3795	14.27	.5620	8.3	.325	62-1301	
9.80	.3858	16.64	.6550	8.0	.315	62-1302	
10.01	.3940	14.02	.5520	9.9	.390	62-91308	
		14.05	.5530	9.9	.388	62-91300	
10.05	.3955	14.05	.5530	12.5	.492	62-83300	
10.08	.3968	12.75	.5020	11.5	.453	62-1306	
		13.96	.5495	8.5	.334	62-2301	
				10.0	.394	62-2300	
10.12	.3985	13.00	.5120	10.5	.414	62-83303	
10.13	.3988	14.08	.5543	9.4	.370	62-1307	
		14.02	.5520	12.1	.475	62-83302	
10.97	.4320	13.06	.5140	12.7	.499	62-83400	
		14.02	.5520	13.0	.510	62-83403	
11.02	.4340	13.59	.5350	14.0	.550	62-91400	
11.03	.4341	13.23	.5210	12.7	.500	62-82400	
		12.56	.4943	11.9	.468	62-91410	
		14.68	.5780	10.9	.430	62-82405	
11.04	.4346	14.67	.5777	7.8	.309	62-82406	
11.05	.4350	13.03	.5130	12.7	.500	62-83405	
				13.0	.510	62-83402	
11.06	.4355	15.06	.5930	14.7	.579	62-81400	
11.10	.4371	15.91	.6265	12.7	.500	62-1408-1	.0025" (1X) Undersize
11.16	.4395	13.20	.5196	12.7	.500	62-1407	
11.17	.4396	15.91	.6265	12.7	.500	62-1408	
11.48	.4520	15.01	.5910	12.9	.509	62-81401	
11.76	.4630	13.20	.5195	18.3	.720	62-1400-4	.0100" (4X) Undersize

STARTER - BUSHINGS (62-)

ID		OD		L		WAI No.	Note
mm	in.	mm	in.	mm	in.		
11.79	.4640	15.13	.5955	10.2	.400	62-2402-3	.0075" (3X) Undersize
11.82	.4654	13.20	.5195	18.3	.720	62-1400-3	.0075" (3X) Undersize
11.86	.4670	16.04	.6313	10.2	.400	62-2403-2	.0050" (2X) Undersize
11.89	.4680	13.20	.5195	12.7	.500	62-1402-2	.0050" (2X) Undersize
				18.3	.720	62-1400-2	.0050" (2X) Undersize
11.91	.4690	15.13	.5955	10.2	.400	62-2402-2	.0050" (2X) Undersize
11.94	.4700	15.13	.5955	18.7	.735	62-2400-1	.0025" (1X) Undersize
		16.04	.6313	10.2	.400	62-2403-1	.0025" (1X) Undersize
11.95	.4705	13.20	.5195	12.7	.500	62-1402-1	.0025" (1X) Undersize
		15.13	.5955	10.2	.400	62-2402-1	.0025" (1X) Undersize
11.96	.4708	15.13	.5956	12.7	.500	62-1403-1	.0025" (1X) Undersize
11.98	.4718	15.90	.6260	19.1	.750	62-1401	Oversize
11.99	.4720	15.26	.6007	19.1	.750	62-3400	
		16.05	.6320	16.1	.635	62-91408	
12.00	.4725	15.13	.5955	18.7	.735	62-2400	
		16.04	.6313	10.2	.400	62-2403	
12.01	.4730	13.13	.5170	12.7	.500	62-1404	
				16.5	.650	62-1405	
12.01	.4730	13.20	.5195	15.6	.613	62-2404	
				18.3	.720	62-2401	
				12.7	.500	62-1402	
				18.3	.720	62-1400-8	Split Type
				18.3	.720	62-1400	
				18.3	.720	62-1400-8	Split Type
12.02	.4733	15.13	.5956	12.7	.500	62-91401	
12.04	.4740	15.13	.5955	10.2	.400	62-83404	
12.07	.4750	14.12	.5560	13.9	.548	62-91409	
		13.55	.5334	11.4	.450	62-91411	
12.08	.4755	15.09	.5940	11.9	.470	62-91400	
		15.54	.6120	5.7	.225	62-81408	
12.47	.4910	16.51	.6500	10.3	.407	62-82401	
12.50	.4920	16.03	.6310	11.9	.470	62-81402-1	.0025" (1X) Undersize
12.52	.4929	16.48	.6490	14.0	.553	62-82404	
		16.54	.6513	16.0	.629	62-91407	
12.55	.4940	14.73	.5800	14.0	.551	62-82402	
		16.61	.6540	15.7	.620	62-91404	
12.56	.4945	16.51	.6500	11.4	.450	62-81404	
12.57	.4950	16.08	.6330	15.0	.590	62-81404	
		18.57	.7310	19.4	.765	62-93400	
12.58	.4951	16.03	.6310	11.9	.470	62-81402	
12.59	.4955	14.03	.5522	19.1	.750	62-81409	
12.60	.4960	15.49	.6100	10.4	.410	62-82403	
12.66	.4983	14.32	.5638	19.8	.780	62-1500-2	.0050" (2X) Undersize
		15.90	.6260	19.7	.775	62-1406-1	.0025" (1X) Undersize
12.72	.5008	14.32	.5638	19.8	.780	62-1500-1	.0025" (1X) Undersize
12.73	.5010	15.90	.6260	19.7	.775	62-1406	
		15.95	.6280	19.0	.750	62-6500-1	.0025" (1X) Undersize
12.75	.5020	15.93	.6270	13.9	.548	62-92501	
12.78	.5030	15.95	.6280	19.0	.750	62-6500	
		14.32	.5638	15.75	.620	62-1500-S	Split Type
	.5033			19.8	.780	62-1500	

STARTER - BUSHINGS

STARTER - BUSHINGS (62-)

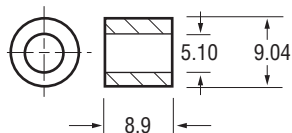
ID		OD		L		WAI No.	Note
mm	in.	mm	in.	mm	in.		
12.81	.5044	19.14	.7535	14.1	.554	62-92500	
13.04	.5135	16.05	.6320	16.0	.630	62-84502	
13.97	.5500	18.01	.7090	15.9	.625	62-99500	
14.02	.5520	18.06	.7110	13.8	.545	62-91502	
		20.04	.7890	10.0	.393	62-91500	
14.04	.5526	16.02	.6309	16.0	.631	62-84503	
		18.04	.7101	19.9	.782	62-81500	
14.05	.5530	17.08	.6725	16.0	.630	62-84500	
		17.55	.6910	18.9	.746	62-84501	Sintered Steel
14.07	.5540	18.03	.7100	17.0	.670	62-81502	
14.09	.5546	16.09	.6335	10.9	.428	62-83502	
14.11	.5557	20.07	.7900	11.8	.465	62-93500	
14.14	.5567	15.95	.6280	16.5	.650	62-1501-3	.0075" (3X) Undersize
14.17	.5580	17.27	.6800	9.5	.373	62-83500	
14.20	.5590	19.91	.7840	20.3	.798	81-1300-2	.0050" (2X) Undersize
	.5592	15.95	.6280	16.5	.650	62-1501-2	.0050" (2X) Undersize
14.25	.5610	17.25	.6790	13.1	.515	62-83501	
14.27	.5617	15.95	.6280	16.5	.650	62-1501-1	.0025" (1X) Undersize
	.5620	19.10	.7520	19.1	.750	62-1504-1	.0025" (1X) Undersize
14.30	.5630	15.95	.6280	20.6	.810	62-1502	
		17.63	.6940	18.5	.727	81-6300	
14.33	.5640	17.26	.6795	12.5	.490	62-2500	
		19.91	.7840	20.3	.798	81-1300	
		.5642	15.95	.6280	16.5	.650	62-1501
	18.3				.720	62-1501-S	Split Type
	17.51				.6895	19.1	.750
	14.34	.5645	19.10	.7520	19.1	.750	62-1504
14.40	.5670	19.70	.7750	25.4	1.000	62-1506	
14.44	.5685	19.19	.7555	24.6	.970	62-1503	
15.04	.5920	19.05	.7500	20.0	.788	62-84505	
15.05	.5926	20.07	.7901	16.0	.628	62-81501	
15.75	.6200	19.51	.7680	10.0	.395	62-91601	
15.83	.6234	19.11	.7525	15.2	.600	62-2600-2	.0050" (2X) Undersize
15.89	.6255	21.92	.8630	24.5	.965	62-1600-7	Oversize
15.90	.6258	19.11	.7525	15.2	.600	62-2600-1	.0025" (1X) Undersize
	.6259	19.11	.7525	10.9	.430	62-2604-1	.0025" (1X) Undersize
	.6260	19.13	.7530	24.6	.970	62-6601	
15.91	.6265	19.19	.7555	22.0	.865	62-1600-1	.0025" (1X) Undersize
15.93	.6270	19.13	.7530	29.2	1.150	62-2603	
15.94	.6275	20.70	.8150	17.4	.685	62-2601	
15.95	.6280	17.53	.6900	14.3	.562	62-2605	
		20.70	.815	36.9	1.45	62-2606	
15.96	.6284	19.11	.7525	10.9	.430	62-2604	
				15.2	.600	62-2600	
15.98	.6290	17.45	.6870	25.0	.986	62-1603-8	Split Type
		19.19	.7555	22.0	.865	62-1600	
16.05	.6320	19.06	.7505	7.1	.278	62-81601	
16.26	.6400	19.13	.7530	15.0	.590	62-6600	
17.04	.6710	22.10	.8700	16.5	.650	62-83600	
17.10	.6734	21.04	.8283	22.1	.870	62-92600	
17.12	.6740	19.02	.7490	20.1	.790	62-82600	
17.44	.6865	20.69	.8145	17.0	.670	62-3600	
17.45	.6870	20.70	.8150	16.7	.658	62-6603	
17.46	.6875	21.55	.8485	9.4	.370	62-91600	

STARTER - BUSHINGS (62-)

ID		OD		L		WAI No.	Note
mm	in.	mm	in.	mm	in.		
17.48	.6880	22.30	.8780	28.5	1.120	62-1601	
17.49	.6885	20.84	.8205	17.9	.705	62-3601	
18.04	.7102	24.05	.9470	19.1	.750	62-81703	
18.06	.7110	22.05	.8680	6.5	.255	62-91702	
18.08	.7120	22.07	.8690	5.0	.198	62-94702	
18.20	.7165	22.05	.8680	6.9	.271	62-81702	
18.80	.7401	20.04	.7890	10.7	.420	62-83700-8	Split Type
18.86	.7425	22.30	.8780	15.0	.590	62-3700	
19.02	.7490	22.30	.8780	21.8	.860	62-6700	
19.05	.7500	23.04	.9070	20.0	.787	62-84700	Sintered Steel
		23.08	.9085	12.7	.500	62-91700	
19.06	.7505	22.28	.8770	6.04	.238	62-2700	
19.10	.7520	23.11	.9100	9.8	.386	62-91701	
		31.88	1.2550	10.0	.395	62-1700	
19.11	.7525	20.68	.8140	18.3	.722	62-1701	
19.13	.7530	22.34	.8795	18.3	.720	62-1703	
19.16	.7545	25.45	1.002	19.1	.753	62-5700	
19.20	.7560	20.74	.8165	9.5	.375	62-1704	
19.30	.7600	22.67	.8925	19.1	.750	62-1702	
20.09	.7910	25.10	.9880	8.8	.346	62-81700	
				10.8	.425	62-81701	
20.24	.7970	24.05	.9470	14.6	.575	62-93700	
20.25	.7973	26.54	1.0450	12.1	.475	62-81800	
21.29	.8380	24.40	.9605	25.0	.985	62-1801	
				31.8	1.250	62-1800	
21.63	.8516	26.47	1.042	12.4	.490	62-81802	
22.15	.8720	28.64	1.1280	30.5	1.20	62-5800	
22.28	.8770	26.73	1.0525	9.1	.358	62-1803	
22.31	.8770	26.72	1.0525	8.1	.319	62-1805	
22.33	.8790	28.64	1.1280	9.0	.356	62-1804	
22.53	.8870	25.63	1.0090	25.4	1.000	62-1802	
22.73	.8950	27.06	1.0660	6.0	.235	62-85900	
22.77	.8965	28.56	1.1250	5.8	.230	62-82800	
23.06	.9080	27.06	1.0660	6.0	.235	62-85901	
23.19	.9130	28.51	1.1230	3.9	.153	62-82801	
25.60	1.0079	31.80	1.2520	9.2	.363	62-1903	
25.98	1.0230	30.07	1.1840	11.6	.455	62-91901	
26.12	1.0285	32.12	1.2640	27.9	1.100	62-81900	
28.50	1.1220	31.75	1.2500	13.0	.512	62-92900	
30.15	1.1870	35.05	1.3800	23.1	.908	62-82900	

STARTER - BUSHINGS

BOSCH



62-91200

Bushing - Planetary Gear

For: Bosch 110 Series PMGR; 218 Series PLGR Starters*

Used On: (2005-84) BMW, Chrysler, Dodge, Mercedes, Plymouth, Porsche, VW, Volvo, Winnebago

Unit Nos: Bosch 0-001-109-009; 0-001-110-001, -002, -014, -015, -024, -025, -042, -047, -059, -060, -073, -080, -081; 0-001-218-004, -006, -009, -012, -013, -017, -018, -021, -027, -028, -108, -110, -137, -138, -150, -156

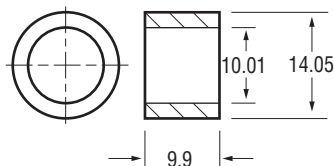
Lester Nos: 17009, 17016, 17030, 17040, 17047, 17082, 17158, 17183, 17279, 17280, 17281, 17282, 17414

WAI Ref. Nos: 2-1262-BO, 2-1268-BO, 2-1276-BO, 2-1289-BO, 2-1347-BO, 2-1348-BO, 2-1349-BO, 2-1365-BO, 2-1392-BO, 2-1533-BO, 2-1540-BO

Dim:

5.10mm ID x 9.04mm OD x 8.9mm L
.2008" ID x .3558" OD x .350" L

Note: *62-91200 bushing can be used to replace 8-9108 needle bearing.



62-91300

Bushing - D.E., C.E.

For: Bosch 107, 108, 110 Series PMGR (C.E.); Mitsubishi DD (D.E.) Starters

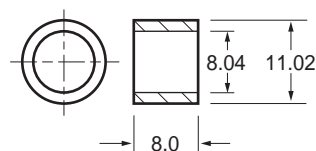
Used On: (2005-82) Alfa Romeo, Audi, BMW, Cadillac, Chrysler, Dodge, Eagle, Jaguar, Jeep, Land Rover, Mercedes, Merkur, Mitsubishi, Plymouth, Pontiac, Porsche, Renault, Saab, VW, Volvo, Winnebago; Lincoln Electric, Onan

Replaces: Bosch 1-000-301-056

Lester Nos: 16956, 962, 963, 976, 980; 17011, 013, 023, 030, 047, 068, 082, 124, 135, 139, 140, 148, 149, 158, 163, 164, 210, 218, 222, 223, 225, 226, 231, 233, 236, 237, 276, 279, 280, 281, 282, 406, 407, 408, 415, 416, 417, 497, 508, 560, 563, 572, 576, 663, 670, 690, 698, 702, 705, 720, 724, 725, 730, 736, 750, 751, 753, 755, 756, 757, 758, 759, 778, 780, 781, 782, 792

Dim:

10.01mm ID x 14.05mm OD x 9.9mm L
.3940" ID x .5530" OD x .388" L



62-91302

Bushing - Planetary Shaft

For: Bosch 108, 110 Series PMGR Starters

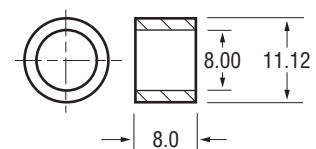
Used On: (2002-83) Alfa Romeo, Audi, BMW, Chrysler, Dodge, Eagle, Jaguar, Jeep, Land Rover, Mercedes, Merkur, Plymouth, Pontiac, Porsche, Renault, Saab, VW, Volvo, Winnebago

Replaces: Bosch 1-000-301-054

Lester Nos: 16956, 16962, 16963, 16976, 16980; 17011, 013, 023, 030, 038, 039, 047, 082, 124, 135, 139, 140, 148, 149, 150, 163, 164, 210, 218, 222, 225, 226, 227, 233, 236, 237, 276, 280, 406, 407, 410, 497, 508, 663, 670, 690, 698, 699, 705

Dim:

8.04mm ID x 11.02mm OD x 8.0mm L
.3165" ID x .4340" OD x .315" L



62-91305

Bushing - Planetary Shaft

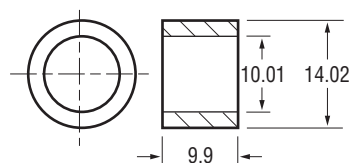
For: Bosch 107, 108, 110 Series PMGR Starters

Used On: (2005-82) Alfa Romeo, Audi, BMW, Chrysler, Dodge, Eagle, Jeep, Land Rover, Mercedes, Merkur, Mitsubishi, Plymouth, Pontiac, Porsche, Renault, Saab, VW, Volvo, Winnebago

Lester Nos: 16956, 962, 963, 976, 980; 17011, 013, 023, 038, 039, 068, 124, 135, 139, 140, 148, 150, 158, 163, 164, 210, 218, 222, 223, 225, 226, 227, 231, 233, 236, 237, 276, 279, 281, 282, 406, 407, 408, 410, 415, 416, 417, 497, 508, 560, 563, 572, 663, 670, 698, 699, 724, 725, 736, 750, 755, 757, 780, 781

Dim:

8.00mm ID x 11.12mm OD x 8.0mm L
.3150" ID x .4378" OD x .315" L



62-91308

Bushing - D.E.

For: Bosch 108 Series PMGR Starters*

Used On: (1997-87) Chrysler, Dodge, Plymouth, Saab, Volvo

Unit Nos: Bosch 0-001-108-068, 0-001-108-069, 0-001-108-103, 0-001-108-104, 0-001-108-134, 0-001-108-148, 0-001-108-153

Lester Nos: 16962, 16963, 17508, 17576

WAI Ref. Nos: 2-1385-BO, 2-1386-BO, 2-1387-BO, 2-1537-BO, 2-1721-BO

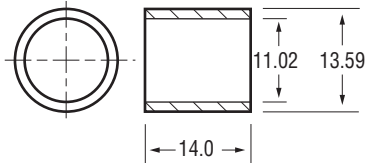
Dim:

10.01mm ID x 14.02mm OD x 9.9mm L
.3940" ID x .5520" OD x .390" L

Note: *Bushing replacement for 8-9106 needle bearing

STARTER - BUSHINGS (62-)

BOSCH (cont'd.)



62-91400

Bushing - D.E.

For: Bosch 108, 110 Series PMGR; 114 Series PMDD; 208, 211, 311, 314, 317 Series DD Starters

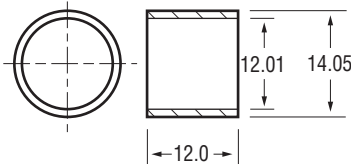
Used On: (2002-67) Chrysler, Dodge, Plymouth, Porsche, VW, Winnebago

Replaces: Bosch 1-000-301-021

Lester Nos: 16401, 16415, 16418, 16446, 16450, 16546, 16547, 16556, 16722, 16726, 16727, 16962, 16963, 16974, 16976, 17015, 17025, 17030, 17062, 17066, 17121, 17134, 17210, 17218, 17222, 17415

Dim:

11.02mm ID x 13.59mm OD x 14.0mm L
.4340" ID x .5350" OD x .550" L



62-91401

Bushing - D.E.

For: Bosch 108 Series PMGR; 157, 208, 211 Series DD Starters

Used On: (1993-73) Audi, Dodge, Plymouth, VW

Replaces: Bosch 2-000-301-023

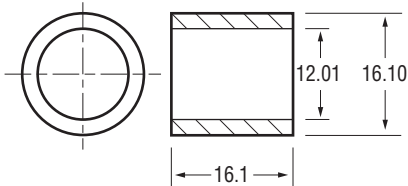
Unit Nos: Bosch 0-001-108-007; 0-001-157-001, -002, -003, -004, -006, -008, -012, -013, -015, -016, -021, -023, -024, -028; 0-001-208-404, -709, -710, -711, -712, -714; 0-001-211-213, -214, -216, -217, -219, -233, -234, -235, -236, -247, -248, -500, -501, -502, -503, -504, -505

Lester Nos: 16401, 16408, 16416, 16417

WAI Ref. Nos: 2-1350-BO, 2-1360-BO, 2-1396-BO, 2-1460-BO

Dim:

12.01mm ID x 14.05mm OD x 12.0mm L
.4730" ID x .5530" OD x .474" L



62-91402

Bushing - D.E.

For: Bosch 218 Series PLGR; 310, 311, 314, 317, 362, 363, 369 Series; Hitachi, Iskra* DD Starters

Used On: (1999-70) Audi, BMW, Mercedes, Mercury, Saab, VW, Volvo, Yugo; Deutz, KHD, Volvo-Penta

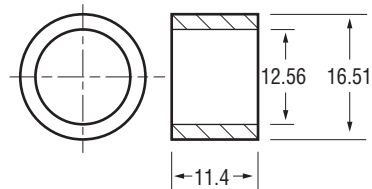
Replaces: Bosch 1-000-301-011

Lester Nos: 16257, 16299, 16360, 16362, 16405, 16412, 16414, 16445, 16537, 16539, 16541, 16543, 16615, 16616, 16617, 16781, 16949, 16957, 16961, 16985, 16999, 17009, 17012, 17043, 17414

Dim:

12.01mm ID x 16.10mm OD x 16.1mm L
.4730" ID x .6340" OD x .632" L

Note: *Also used in C.E. frame of Iskra starters



62-91403

Bushing - C.E.

For: Bosch 157, 203, 207, 208, 209, 211, 212, 310, 311, 312, 313, 314, 317 Series DD Starters

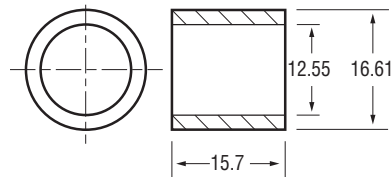
Used On: (1995-67) Alfa Romeo, Audi, BMW, Chrysler, Dodge, Fiat, Ford, Lancia, Mercedes, Mercury, Opel, Peugeot, Plymouth, Porsche, Saab, VW, Volvo; DAF, Deutz, KHD, Massey Ferguson, Toro

Replaces: Bosch 1-000-301-001, -034, -046, 2-000-301-022

Lester Nos: 16257, 282, 299, 300, 318, 332, 353, 360, 362, 367, 401, 405, 408, 410, 412, 414, 415, 416, 417, 418, 426, 443, 446, 450, 462, 530, 531, 532, 534, 537, 538, 539, 541, 543, 544, 546, 547, 548, 550, 551, 556, 557, 595, 609, 616, 617, 619, 621, 622, 623, 683, 722, 726, 727, 747, 781, 797, 950, 951, 953, 954, 958, 959, 961, 974; 17015, 025, 031, 043, 065, 066, 121, 122, 157, 162, 413

Dim:

12.56mm ID x 16.51mm OD x 11.4mm L
.4945" ID x .6500" OD x .450" L



62-91404

Bushing - D.E., C.E.

For: Bosch 358, 359, 360, 362, 363, 366 Series DD Starters

Used On: (1987-74) Peugeot; Case, DAF, Deutz, Ditch Witch, IHC, Ingersoll-Rand, Iveco, KHD, Massey Ferguson, Ravo

Replaces: Bosch 2-000-301-019

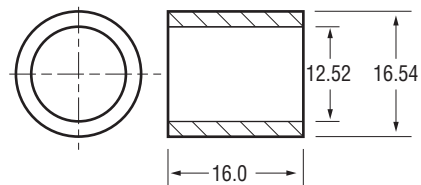
Lester Nos: 16445, 16615, 16715, 16752, 16753, 16754, 17318

WAI Ref. Nos: 2-1270-BO, 2-1294-BO, 2-1296-BO,

2-1889-BO, 2-1905-BO, 2-1908-BO, 2-1925-BO, 2-1976-BO

Dim:

12.55mm ID x 16.61mm OD x 15.7mm L
.4940" ID x .6540" OD x .620" L



62-91407

Bushing - D.E.

For: Bosch 354, 355, 358, 359, 360, 362, 364, 365, 367, 368, 369 Series & Brazilian DD Starters

Used On: Alfa Romeo, BMW, Case, Caterpillar, Clayton, DAF, Deutz, Fiat, Ford Tractor, IHC, Iveco, JCB, John Deere, KHD, Mack Truck, MAN, Magirus Truck, Massey Ferguson, Mercedes-Benz Truck, Renault, Scania, Thermo King, Volvo White-GMC

Replaces: Bosch 2-000-301-000

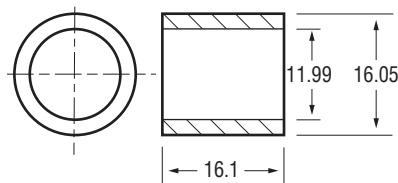
(cont'd.)

(cont'd.)

Unit Nos: Bosch 0-001-354-006, -012, -016, -018, -027, -031, -048, -064, -069, -078, -079, -080, -082, -085, -087, -091, -094, -095, -099, -100, -103, -106, -107, -108, -109, -113; 0-001-355-009, -015, -019, -020; 0-001-358-017, -018, -020, -026, -033, -034, -035, -038, -041, -046 to -051; 0-001-359-001 to -008, -010, -012, -013, -014, -016, -019 to -022, -024 to -028, -030, -032, -033, -034, -037, -038, -041, -043, -044, -046, -049, -053, -055 to -058, -060, -062, -063, -064, - to -076, -081 to -088, -090, -091, -094 to -097, -099, -100, -101, -102, -104, -106 to -114, -116 to -119, -122, -124, -126, -127; 0-001-360-002, -004, -008, -009, -010, -012, -013, -015 to -020, -022, -024, -026, -027, -029, -030 to -035, -037, -038, -039, -041, -043, -044, -045, -047, -049, -050, -053 to -058, -060, -061, -063, -065; 0-001-362-051, -052, -063, -064, -082, -093, -096, -300, -301, -303, -304, -306, -310, -312, -316, -324; 0-001-363-118; 0-001-364-101 to -104, -106, -108, -200 to -205, -300; 0-001-365-004 to -008; 0-001-366-008, -016, -026; 0-001-367-001, -002, -004 to -018, -021 to -036, -039, -042, -044, -045, -046, -048, -050, -052, -054, -055, -056, -058, -059, -061, -062, -063, -069, -070, -072, -075, -076, -078, -300, -302; 0-001-368-001, -002, -003, -005 to -012, -014 to -032, -034, -035, -036, -038 to -041, -046, -051, -055, -059, -063, -068, -069, -071, -085, -086, -300, -301, -303, -307, -309; 0-001-369-001, -002, -003, -005, -006, -007, -015, -022, -023, -200; 9-000-083-027, -028, -031, -036, -045, -054, -058, -059, -071, -073

Dim:

12.52mm ID x 16.54mm OD x 16.0mm L
.4930" ID x .6513" OD x .629" L



62-91408

Bushing - D.E.

For: Bosch 108, 110 Series PMGR; 114 Series PMDD; 203, 207, 208, 209, 211, 214, 311, 314, 316 Series DD Starters

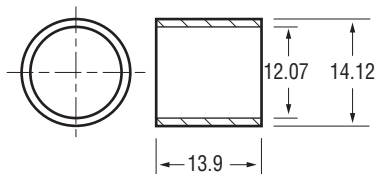
Used On: (2005-70) Alfa Romeo, Audi, BMW, Fiat, Lancia, Land Rover, Mercury, Opel, Peugeot, Porsche, Saab, VW, Volvo; DAF, Deutz, KHD

Replaces: Bosch 1-000-301-012

Lester Nos: 16257, 16332, 16353, 16360, 16367, 16405, 16414, 16443, 16462, 16531, 16532, 16538, 16539, 16541, 16550, 16551, 16557, 16595, 16621, 16683, 16781, 16954, 16956, 17031, 17068, 17165, 17233, 17236, 17237, 17406, 17407, 17663, 17705, 17751

Dim:

11.99mm ID x 16.05mm OD x 16.1mm L
.4720" ID x .6320" OD x .635" L



62-91409

Bushing - D.E.

For: Bosch 108, 110 PMGR; 114 Series PMDD; 112, 125, 208, 211, 314, 317 Series DD Starters

(cont'd.)

(cont'd.)

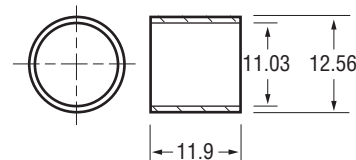
Used On: (2005-70) Alfa Romeo, Audi, BMW, Chrysler, Dodge, Eagle, Fiat, Ford, Jaguar, Jeep, Mercedes, Merkur, Opel, Peugeot, Plymouth, Pontiac, Porsche, Renault, Saab, VW, Volvo

Replaces: Bosch 2-000-301-036

Lester Nos: 16282, 401, 443, 530, 534, 595, 619, 622, 623, 797, 953, 956, 959, 980; 17011, 013, 023, 038, 039, 047, 082, 124, 135, 139, 140, 148, 149, 150, 157, 158, 162, 163, 164, 223, 224, 225, 227, 231, 233, 236, 276, 279, 280, 281, 282, 408, 410, 413, 416, 417, 497, 508, 670, 690, 698, 699, 753, 756, 782

Dim:

12.07mm ID x 14.12mm OD x 13.9mm L
.4750" ID x .5560" OD x .548" L



62-91410

Bushing - Starter Drive

For: Bosch 107, 108 Series PMGR; 208, 211, 314, 317 Series DD Starters

Used On: (2000-67) Chrysler, Dodge, Eagle, Mitsubishi, Plymouth, Porsche, VW

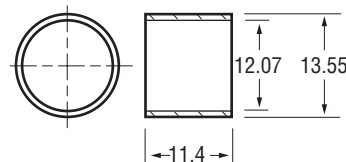
Replaces: Bosch 1-000-301-032

Lester Nos: 16415, 16418, 16446, 16450, 16546, 16547, 16556, 16722, 16726, 16727, 16962, 16963, 16974, 16976, 17015, 17025, 17066, 17121, 17210, 17218, 17222, 17560, 17563, 17572, 17736

Dim:

11.03mm ID x 12.56mm OD x 11.9mm L
.4342" ID x .4943" OD x .468" L

Note: Used in 54-9100, 54-9102, 54-9139, 54-9143, 54-9144, 54-9159, 54-9160 starter drives



62-91411

Bushing - Starter Drive

For: Bosch 107, 108, 110 Series PMGR; 114 Series PMDD; 157, 208, 211, 212, 311, 312, 314, 317 Series DD; 218 Series PLGR Starters

Used On: (2005-70) Alfa Romeo, Audi, BMW, Cadillac, Chrysler, Dodge, Eagle, Fiat, Ford, Jaguar, Jeep, Lancia, Land Rover, Mercedes, Mercury, Merkur, Opel, Peugeot, Plymouth, Pontiac, Porsche, Renault, Saab, VW, Volvo, Winnebago

Replaces: Bosch 1-000-301-031

Lester Nos: 16257, 282, 353, 360, 362, 401, 405, 408, 414, 416, 417, 443, 462, 530, 531, 534, 537, 538, 539, 541, 550, 557, 595, 616, 619, 621, 623, 683, 781, 797, 953, 954, 956, 959, 980; 17009, 011, 013, 016, 023, 030, 031, 038, 039, 040, 043, 047, 082, 124, 135, 139, 140, 148, 149, 150, 157, 158, 162, 163, 164, 165, 183, 222, 225, 226, 227, 231, 233, 236, 237, 276, 406, 407, 408, 410, 413, 415, 497, 508, 576, 663, 670, 690, 698, 699, 702, 705, 720, 730, 751, 753, 756, 778, 782, 792

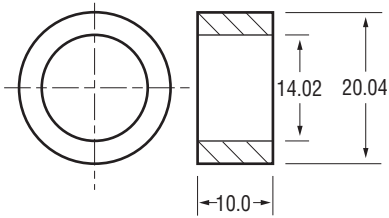
Dim:

12.07mm ID x 13.55mm OD x 11.4mm L
.4751" ID x .5334" OD x .450" L

Note: Used in 54-9101, 54-9129, 54-9131, 54-9136, 54-9140, 54-9147, 54-9154, 54-9156, 54-9157, 54-9161, 54-9163, 54-9165, 54-9167, 54-9168, 54-9172, 54-9175, 54-9181, 54-9189 starter drives

STARTER - BUSHINGS (62-)

BOSCH (cont'd.)



62-91500

Bushing - C.E.

For: Bosch 359, 360 Series DD Starters

Used On: Alfa Romeo, Case, DAF, Deutz, Fiat, IHC, Iveco, John Deere, KHD, Mack, Magirus, MAN, Massey Ferguson, Mercedes, Renault, VW, Volvo White-GMC Truck

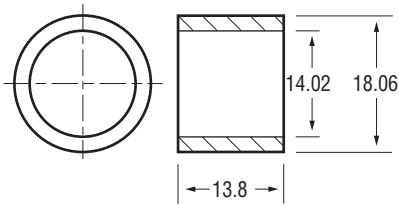
Replaces: Bosch 1-900-301-420

Lester Nos: 16372, 16441, 17070, 17073, 17074, 17092, 17093, 17097, 17105, 17106, 17111

WAI Ref. Nos: 2-2041-BO

Dim:

14.02mm ID x 20.04mm OD x 10.0mm L
.5520" ID x .7890" OD x .393" L



62-91502

Bushing - C.E.

For: Bosch 362, 363, 366, 367, 368, 369 Series DD Starters

Used On: (1987-74) Audi, Mercedes, Peugeot, Volvo; Case, Caterpillar, Deutz, Ditch Witch, Ford Tractor, IHC, Ingersoll-Rand, Iveco, JCB, John Deere, KHD, Mack, Magirus, Massey Ferguson, Ravo, Scania, Volvo White-GMC

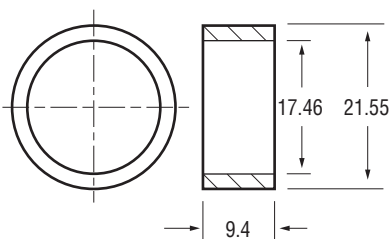
Replaces: Bosch 2-000-301-043

Lester Nos: 16445, 16615, 16715, 16752, 16753, 16754, 16949, 16957, 16999, 17318

WAI Ref. Nos: 2-1270-BO, 2-1277-BO, 2-1287-BO, 2-1294-BO, 2-1296-BO, 2-1803-BO, 2-1889-BO, 2-1908-BO, 2-1925-BO, 2-1976-BO, 2-1980-BO, 2-2042-BO, 2-2085-BO

Dim:

14.02mm ID x 18.06mm OD x 13.8mm L
.5520" ID x .7110" OD x .545" L



62-91600

Bushing - C.S.

For: Bosch 114 Series PMDD, 311, 313, 314, 317 Series DD Starters
(cont'd.)

(cont'd.)

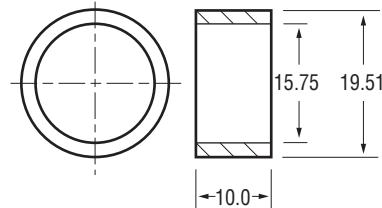
Used On: (1993-72) Alfa Romeo, Audi, BMW, Mercedes, VW; Deutz, KHD

Replaces: Bosch 1-000-301-022

Lester Nos: 16257, 16299, 16360, 16362, 16532, 16537, 16541, 16543, 16556, 16617, 16622, 16623, 16726, 16959, 16961, 17043, 17062, 17134, 17165, 17224

Dim:

17.46mm ID x 21.55mm OD x 9.4mm L
.6875" ID x .8485" OD x .370" L



62-91601

Bushing - C.E.

For: Bosch Brazilian DD Starters

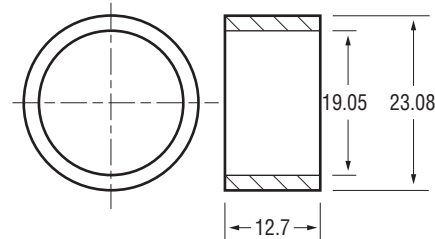
Used On: Massey Ferguson, Mercedes-Benz Truck

Replaces: Bosch 9-001-083-373

Unit Nos: Bosch 9-000-083-027, 9-000-083-028, 9-000-083-031, 9-000-083-036, 9-000-083-045, 9-000-083-054, 9-000-083-058, 9-000-083-059, 9-000-083-071, 9-000-083-073

Dim:

15.75mm ID x 19.51mm OD x 10.0mm L
.6200" ID x .7680" OD x .395" L



62-91700

Bushing - C.S.

For: Bosch 358, 359, 360, 362, 363, 364, 365, 366, 367, 368, 369 Series DD Starters

Used On: (1987-74) Audi, Mercedes, Peugeot, Volvo; Case, Caterpillar, Clayton, DAF, Deutz, Ditch Witch, Ford Tractor, IHC, Ingersoll-Rand, Iveco, JCB, John Deere, KHD, Mack, Magirus, MAN, Massey Ferguson, Volvo White-GMC

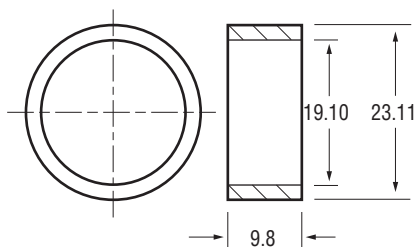
Replaces: Bosch 2-000-301-038, 2-000-301-041

Lester Nos: 16445, 16615, 16715, 16752, 16753, 16754, 16949, 16957, 16999, 17318

WAI Ref. Nos: 2-1270-BO, 2-1277-BO, 2-1287-BO, 2-1294-BO, 2-1296-BO, 2-1889-BO, 2-1908-BO, 2-1925-BO, 2-1976-BO, 2-1980-BO, 2-2041-BO, 2-2042-BO, 2-2085-BO

Dim:

19.05mm ID x 23.08mm OD x 12.7mm L
.7500" ID x .9085" OD x .500" L



62-91701
Bushing - C.S.

For: Bosch 362, 363, 366 Series & Brazilian DD Starters

Used On: (1983-74) Audi, Mercedes, Volvo; Iveco, KHD, Massey Ferguson, Mercedes-Benz Truck, Ravo

Replaces: Bosch 2-000-301-025, 2-000-301-026

Unit Nos: Bosch 0-001-362-001, -002, -003, -004, -005, -006, -007, -008, -009, -011, -012, -013, -014, -015, -016, -017, -019, -021, -022, -023, -024, -025, -027, -028, -029, -030, -032, -033, -037, -044, -047, -061, -069, -078; 0-001-363-001, -101, -105, -106, -107, -109, -111, -113, -116, -117; 0-001-366-002, -003, -009, -011, -012, -013, -015, -016, -017; 9-000-083-027, -028, -031, -036, -045, -054, -058, -059, -071, -073

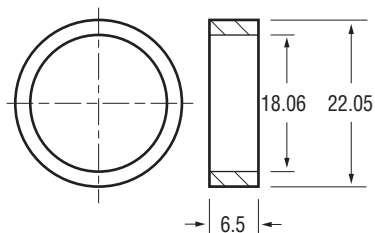
Lester Nos: 16445, 16615, 16715, 16754

WAI Ref. Nos: 2-1270-BO, 2-1294-BO, 2-1905-BO

Dim:

19.10mm ID x 23.11mm OD x 9.8mm L

.7520" ID x .9100" OD x .386" L



62-91702
Bushing - C.S., Stationary Gear Retainer

For: Bosch 218 Series PLGR (Stationary Gear Retainer); Hitachi PMGR Starters (C.S.)

Used On: (2002-84) Acura, BMW, Infiniti, Isuzu, Mercedes, Nissan, Volvo

Unit Nos: Bosch 0-001-218-004, -006, -009, -012, -013, -017, -018, -021, -027, -028, -108, -110, -137, -138, -150, -156; Hitachi S114-753, C; S114-755, S114-756, S114-766A, S114-767, S114-800B; S114-801A, B, C; S114-802A, S114-814, S114-815

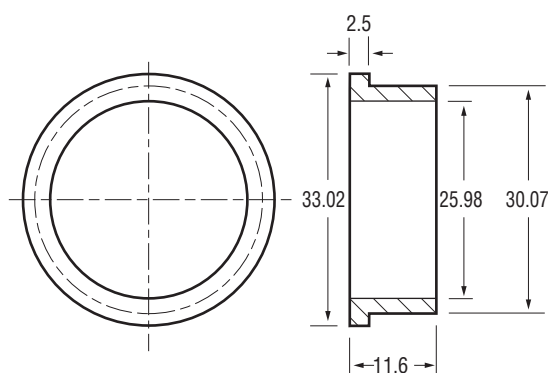
Lester Nos: 17009, 17016, 17040, 17146, 17183, 17246, 17414, 17476, 17479, 17509, 17695, 17713

WAI Ref. Nos: 2-1117-HI, 2-1128-HI, 2-1262-BO, 2-1268-BO, 2-1276-BO, 2-1289-BO, 2-1441-HI, 2-1540-BO, 2-1560-HI, 2-1694-HI, 2-1856-HI, 2-2009-HI

Dim:

18.06mm ID x 22.05mm OD x 6.5mm L

.7110" ID x .8680" OD x .255" L



62-91901
Bushing - D.E.

For: Bosch 212, 213, 215, 321 Series DD Starters

Used On: (1995-67) Fiat, Mercedes, Porsche, VW

Replaces: Bosch 1-000-301-013

Unit Nos: Bosch 0-001-212-002, -003, -005, -006, -012, -013, -204, -205, -206, -207, -208, -209, -210, -211, -212, -213, -214, -400, -401, -402, -403; 0-001-213-003; 0-001-215-001; 0-001-312-100, -101, -102, -103, -110, -111

Lester Nos: 16300, 16410, 16426, 16544, 16548, 16609, 16747, 16950, 16958, 17065, 17122

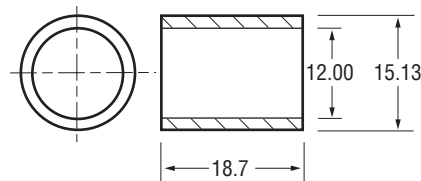
WAI Ref. Nos: 2-1273-BO, 2-1316-BO, 2-1339-BO, 2-1341-BO, 2-1344-BO, 2-1351-BO, 2-1364-BO, 2-1368-BO, 2-1370-BO, 2-1414-BO, 2-1448-BO, 2-1934-BO

Dim:

25.98mm ID x 30.07mm OD x 11.6mm L

1.0230" ID x 1.1840" OD x .455" L

CHRYSLER



62-2400
Bushing - D.E.

For: Ford 4", 4" Mod, 4-1/2", 4-1/2" Mod DD;

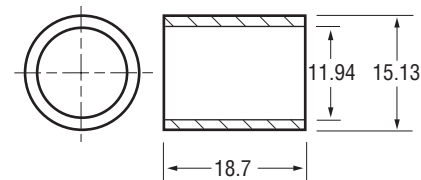
Chrysler OSGR Starters

Replaces: Chrysler 2098986; Ford B8TF-11052-A; Prestolite 24-4, MDD-34

Dim:

12.00mm ID x 15.13mm OD x 18.7mm L

.4725" ID x .5955" OD x .735" L



62-2400-1
Bushing - D.E.
.0025" (1X) Undersize

Same as 62-2400 except...

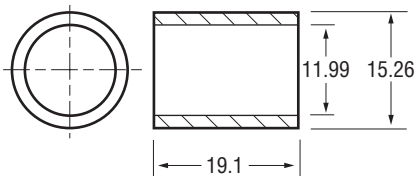
Dim:

11.94mm ID x 15.13mm OD x 18.7mm L

.4700" ID x .5955" OD x .735" L

STARTER - BUSHINGS (62-)

CHRYSLER (cont'd.)



62-3400

Bushing - D.E.

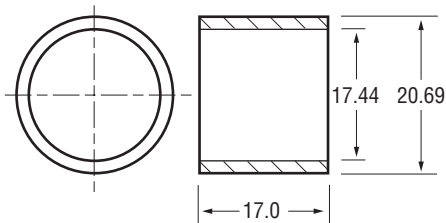
For: Chrysler 1.5 HP, 1.8 HP OSGR Starters

Replaces: Chrysler 2095410, 3656382, 3874817

Dim:

11.99mm ID x 15.26mm OD x 19.1mm L

.4720" ID x .6007" OD x .750" L



62-3600

Bushing - Gear Hsg.

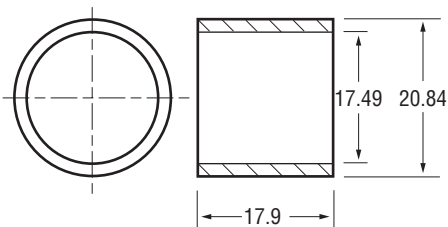
For: Chrysler Early OSGR Starters

Replaces: Chrysler 2098987

Dim:

17.44mm ID x 20.69mm OD x 17.0mm L

.6865" ID x .8145" OD x .670" L



62-3601

Bushing - Gear Hsg.

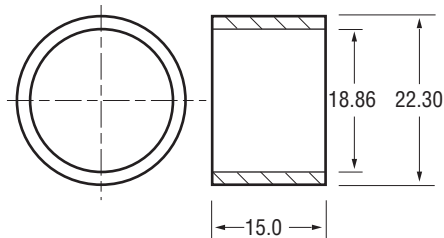
For: Chrysler 1.3HP, 1.5 HP, 1.8 HP OSGR Starters

Replaces: Chrysler 2095242, 3656383, 3874818

Dim:

17.49mm ID x 20.84mm OD x 17.9mm L

.6885" ID x .8205" OD x .705" L



62-3700

Bushing - End Frame

For: Chrysler Early 1.5 HP, 1.8 HP OSGR Starters

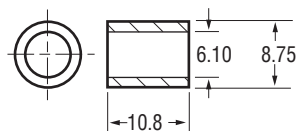
Replaces: Chrysler 2095078

Dim:

18.86mm ID x 22.30mm OD x 15.0mm L

.7425" ID x .8780" OD x .590" L

DELCO



62-1200

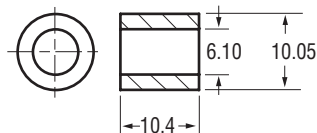
Bushing - Planetary Gear

For: Delco PG260M, PG260F2 Series PMGR Starters

Dim:

6.10mm ID x 8.75mm OD x 10.8mm L

.2401" ID x .3445" OD x .425" L



62-1201

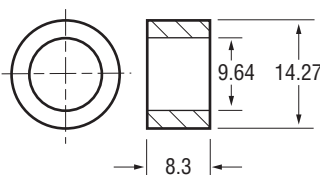
Bushing - Planetary Gear

For: Delco PG150S, PG260F1 Series PMGR Starters

Dim:

6.10mm ID x 10.05mm OD x 10.4mm L

.2400" ID x .3955" OD x .409" L



62-1301

Bushing - Planetary Shaft

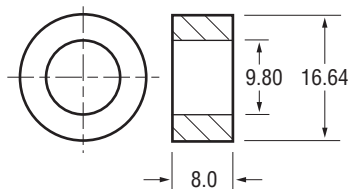
For: Delco PG200, PG250 Series PMGR Starters

Dim:

9.64mm ID x 14.27mm OD x 8.3mm L

.3795" ID x .5620" OD x .325" L

Note: For needle bearing replacement use 8-113



62-1302

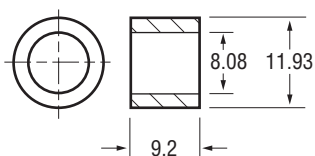
Bushing - C.E.

For: Delco PG260M Series PMGR Starters

Dim:

9.80mm ID x 16.64mm OD x 8.0mm L

.3858" ID x .6550" OD x .315" L



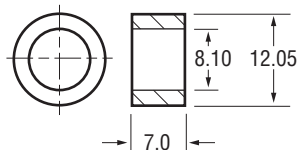
62-1303

Bushing - Planetary Shaft

For: Delco PG260M Series PMGR Starters

Dim:

8.08mm ID x 11.93mm OD x 9.2mm L
 .3180" ID x .4697" OD x .362" L



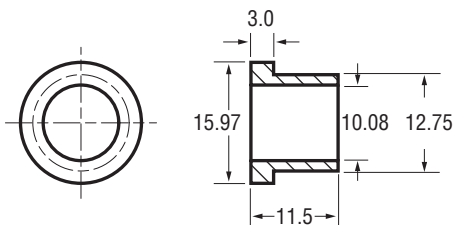
62-1304

Bushing - Planetary Shaft

For: Delco PG260F1 Series PMGR Starters

Dim:

8.10mm ID x 12.05mm OD x 7.0mm L
 .3188" ID x .4745" OD x .277" L



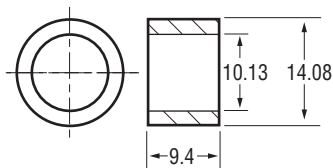
62-1306

Bushing - C.E.

For: Delco PG260F2, PG260L Series PMGR Starters

Dim:

10.08mm ID x 12.75mm OD x 11.5mm L
 .3968" ID x .5020" OD x .453" L



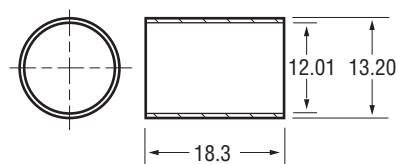
62-1307

Bushing - Planetary Shaft

For: Delco PG260F2, PG260G, PG260L Series PMGR Starters

Dim:

10.13mm ID x 14.08mm OD x 9.4mm L
 .3988" ID x .5543" OD x .370" L



62-1400

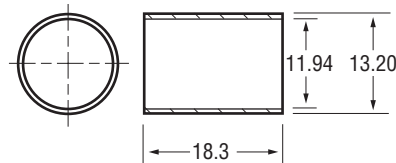
Bushing - D.E.

For: Delco 8MT, 10MT, SD300 Series DD Starters

Replaces: Delco 1923907, D1682

Dim:

12.01mm ID x 13.20mm OD x 18.3mm L
 .4730" ID x .5195" OD x .720" L



62-1400-1

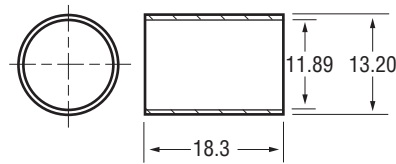
Bushing - D.E.

.0025" (1X) Undersize

Same as 62-1400 except...

Dim:

11.94mm ID x 13.20mm OD x 18.3mm L
 .4702" ID x .5195" OD x .720" L



62-1400-2

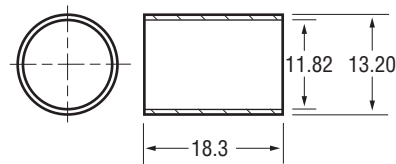
Bushing - D.E.

.0050" (2X) Undersize

Same as 62-1400 except...

Dim:

11.89mm ID x 13.20mm OD x 18.3mm L
 .4680" ID x .5195" OD x .720" L



62-1400-3

Bushing - D.E.

.0075" (3X) Undersize

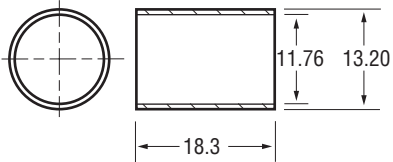
Same as 62-1400 except...

Dim:

11.82mm ID x 13.20mm OD x 18.3mm L
 .4654" ID x .5195" OD x .720" L

STARTER - BUSHINGS (62-)

DELCO (cont'd.)



62-1400-4

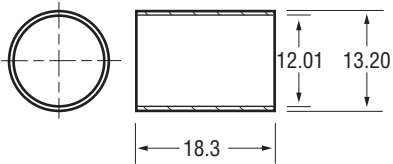
Bushing - D.E.

.0100" (4X) Undersize

Same as 62-1400 except...

Dim:

11.76mm ID x 13.20mm OD x 18.3mm L
.4630" ID x .5195" OD x .720" L



62-1400-8

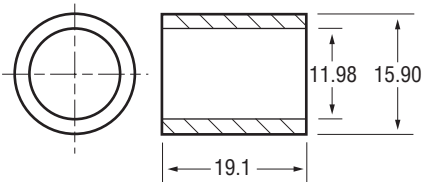
Bushing - D.E.

Split Type

Same as 62-1400 except...

Dim:

12.01mm ID x 13.20mm OD x 18.3mm L
.4730" ID x .5195" OD x .720" L



62-1401

Repair Bushing - D.E.

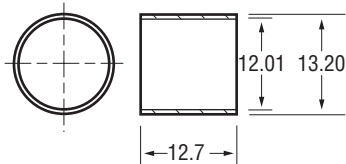
Oversize

For: Delco 10MT, SD300 Series DD Starters

Dim:

11.98mm ID x 15.90mm OD x 19.1mm L
.4718" ID x .6260" OD x .750" L

Note: For repairing worn D.E. housings



62-1402

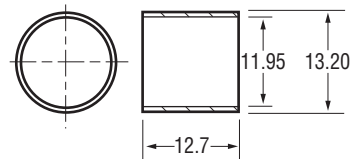
Bushing - D.E., C.E.

For: Delco 5MT, 8MT, 10MT, 20MT, 25MT, 27MT, SD200, SD205, SD210, SD300 Series DD Starters

Replaces: Delco 1932190, D1688

Dim:

12.01mm ID x 13.20mm OD x 12.7mm L
.4730" ID x .5195" OD x .500" L



62-1402-1

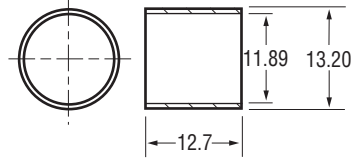
Bushing - D.E., C.E.

.0025" (1X) Undersize

Same as 62-1402 except...

Dim:

11.95mm ID x 13.20mm OD x 12.7mm L
.4705" ID x .5195" OD x .500" L



62-1402-2

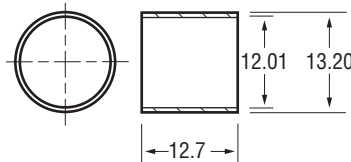
Bushing - D.E., C.E.

.0050" (2X) Undersize

Same as 62-1402 except...

Dim:

11.89mm ID x 13.20mm OD x 12.7mm L
.4680" ID x .5195" OD x .500" L



62-1402-8

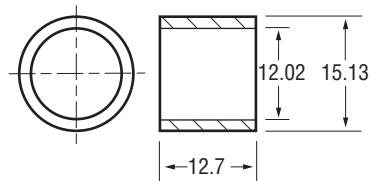
Bushing - D.E., C.E.

Split Type

Same as 62-1402 except...

Features:

- Split Type
- Bronze material w/ graphite inlay



62-1403

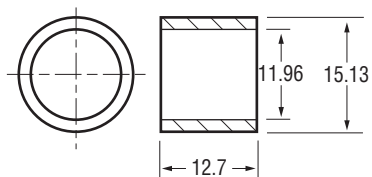
Bushing - D.E.

For: Delco 5MT, SD200 Series DD Starters

Replaces: Delco 1984530

Dim:

12.02mm ID x 15.13mm OD x 12.7mm L
.4733" ID x .5956" OD x .500" L

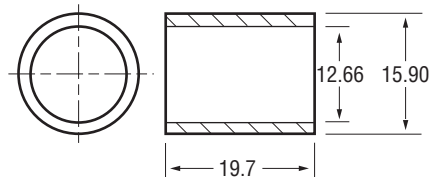


62-1403-1
Bushing - D.E.
.0025" (1X) Undersize

Same as 62-1403 except...

Dim:

11.96mm ID x 15.13mm OD x 12.7mm L
 .4708" ID x .5956" OD x .500" L

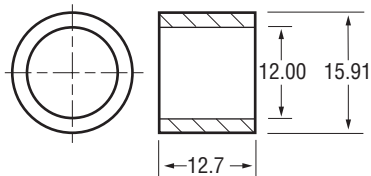


62-1406-1
Bushing - D.E.
.0025" (1X) Undersize

Same as 62-1406 except...

Dim:

12.66mm ID x 15.90mm OD x 19.7mm L
 .4985" ID x .6260" OD x .775" L



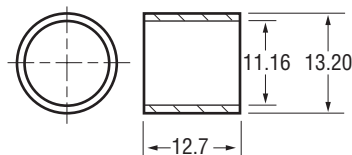
62-1404
Conversion Bushing - D.E.

For: Delco 5MT, SD200, SD205, SD210, SD250, SD255, SD260 Series DD Starters

Dim:

12.00mm ID x 15.91mm OD x 12.7mm L
 .4726" ID x .6265" OD x .500" L

Note: Bushing replacement for starters w/ needle bearings (16mm Bore) when using 'bushing type' armature (12mm shaft OD)



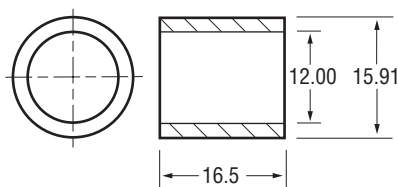
62-1407
Conversion Bushing - D.E.

For: Delco 5MT, SD200, SD205, SD210, SD250, SD255, SD260 Series DD Starters

Dim:

11.16mm ID x 13.20mm OD x 12.7mm L
 .4395" ID x .5196" OD x .500" L

Note: Bushing replacement for starters w/ bushings (13.2mm bore) when using 'needle bearing type' armature (11mm Shaft OD)



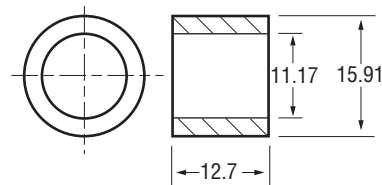
62-1405
Conversion Bushing - C.E.

For: Delco 5MT, SD200 Series DD Starters

Dim:

12.00mm ID x 15.91mm OD x 16.5mm L
 .4726" ID x .6265" OD x .650" L

Note: Converts 52-101 early type C.E. frame to fit late type armatures w/ 12mm shaft OD



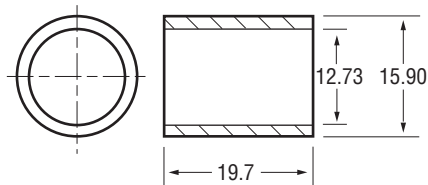
62-1408
Conversion Bushing - D.E.

For: Delco 5MT, SD200, SD205, SD210, SD250, SD255, SD260 Series DD Starters

Dim:

11.17mm ID x 15.91mm OD x 12.7mm L
 .4396" ID x .6265" OD x .500" L

Note: Bushing replacement for starters w/ needle bearings (16mm Bore) when using 'needle bearing type' armature (11mm shaft OD)



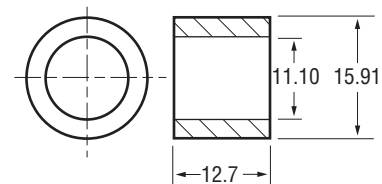
62-1406
Bushing - D.E.

For: Delco 10MT, 20MT, 22MT, 25MT, 27MT, SD300 Series DD Starters

Replaces: Delco 1862383, D1689

Dim:

12.73mm ID x 15.90mm OD x 19.7mm L
 .5010" ID x .6260" OD x .775" L



62-1408-1
Conversion Bushing - D.E.
.0025" (1X) Undersize

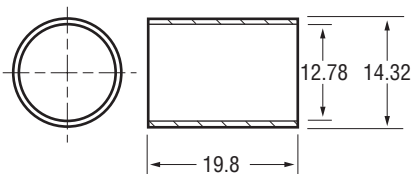
Same as 62-1408 except...

Dim:

11.10mm ID x 15.91mm OD x 12.7mm L
 .4371" ID x .6265" OD x .500" L

STARTER - BUSHINGS (62-)

DELCO (cont'd.)



62-1500

Bushing - D.E.

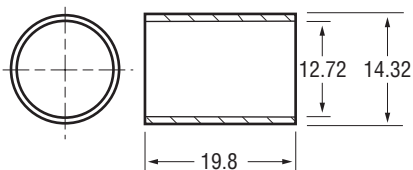
For: Delco 10MT, 20MT, 25MT, 27MT, SD300 Series DD Starters

Replaces: Delco 38296, 1839345, D1680; Ref# 4265

Dim:

12.78mm ID x 14.32mm OD x 19.8mm L

.5033" ID x .5638" OD x .780" L



62-1500-1

Bushing - D.E.

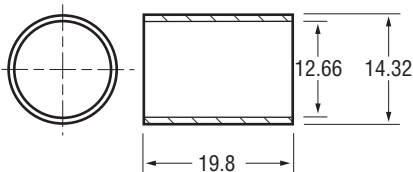
.0025" (1X) Undersize

Same as 62-1500 except...

Dim:

12.72mm ID x 14.32mm OD x 19.8mm L

.5008" ID x .5638" OD x .780" L



62-1500-2

Bushing - D.E.

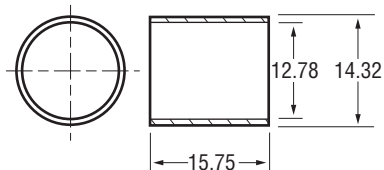
.0050" (2X) Undersize

Same as 62-1500 except...

Dim:

12.66mm ID x 14.32mm OD x 19.8mm L

.4983" ID x .5638" OD x .780" L



62-1500-S

Bushing - D.E.

Split Type

Same as 62-1500 except...

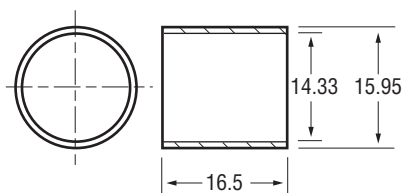
Dim:

12.78mm ID x 14.32mm OD x 15.75mm L

.5033" ID x .5638" OD x .620" L

Features:

- Split Type
- Bronze material w/ graphite inlay



62-1501

Bushing - C.E.

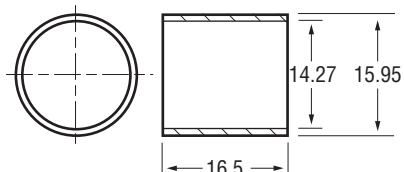
For: Delco 5MT, 10MT, 20MT, 25MT, 27MT, SD200, SD300 Series DD Starters

Replaces: Delco 35058, 810620, 1938743, D1676; Ref# 4200

Dim:

14.33mm ID x 15.95mm OD x 16.5mm L

.5642" ID x .6280" OD x .650" L



62-1501-1

Bushing - C.E.

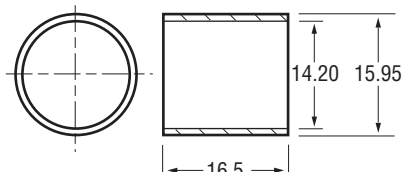
.0025" (1X) Undersize

Same as 62-1501 except...

Dim:

14.27mm ID x 15.95mm OD x 16.5mm L

.5617" ID x .6280" OD x .650" L



62-1501-2

Bushing - C.E.

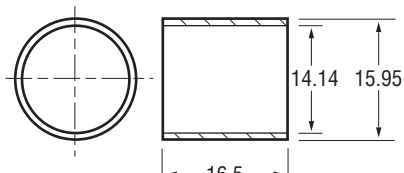
.0050" (2X) Undersize

Same as 62-1501 except...

Dim:

14.20mm ID x 15.95mm OD x 16.5mm L

.5592" ID x .6280" OD x .650" L



62-1501-3

Bushing - C.E.

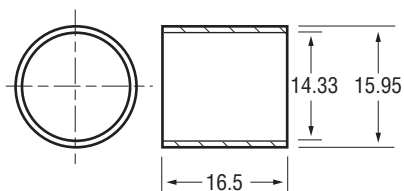
.0075" (3X) Undersize

Same as 62-1501 except...

Dim:

14.14mm ID x 15.95mm OD x 16.5mm L

.5567" ID x .6280" OD x .650" L



62-1501-D
Bushing - C.E.
Split Type

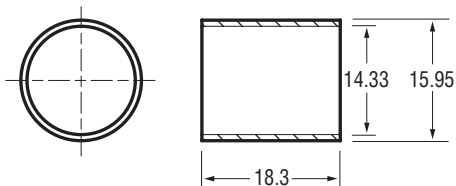
Same as 62-1501 except...

Dim:

14.33mm ID x 15.95mm OD x 16.5mm L
 .5642" ID x .6280" OD x .650" L

Features:

- Split Type
- Bronze material w/ graphite inlay



62-1501-S
Bushing - C.E.
Split Type

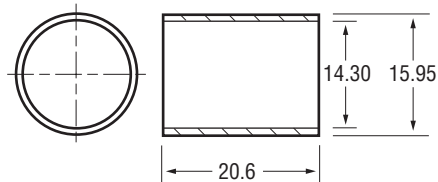
Same as 62-1501 except...

Dim:

14.33mm ID x 15.95mm OD x 18.3mm L
 .5642" ID x .6280" OD x .720" L

Features:

- Split Type
- Bronze material w/ graphite inlay

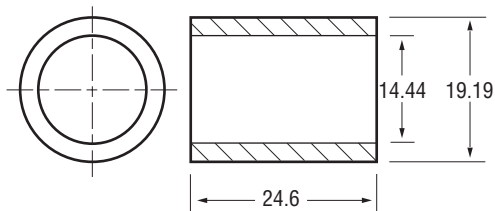


62-1502
Bushing - C.E.

For: Delco 8MT Series DD Starters

Dim:

14.30mm ID x 15.95mm OD x 20.6mm L
 .5630" ID x .6280" OD x .810" L



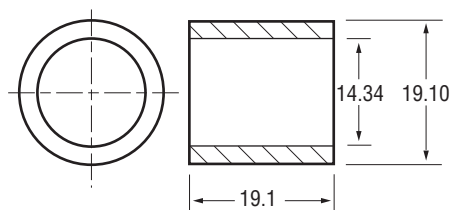
62-1503
Bushing - C.E.

For: Delco 40MT Series DD Starters

Replaces: Delco 1894636, Ref# 4284

Dim:

14.44mm ID x 19.19mm OD x 24.6mm L
 .5685" ID x .7555" OD x .970" L



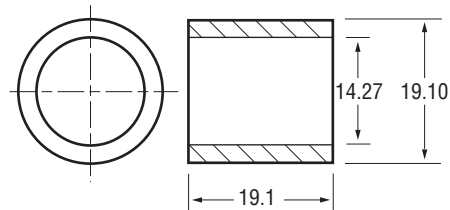
62-1504
Bushing - D.E., C.E.

For: Delco 30MT, 35MT, 37MT (D.E.); 37MT, 41MT, 42MT (C.E.)
 Series DD Starters

Replaces: Delco 1943628, 1955991, 1955994, D1684

Dim:

14.34mm ID x 19.10mm OD x 19.1mm L
 .5645" ID x .7520" OD x .750" L

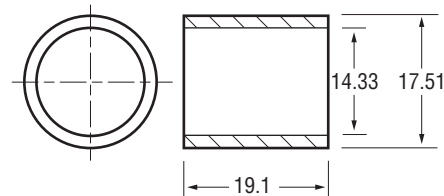


62-1504-1
Bushing - D.E., C.E.
.0025" (1X) Undersize

Same as 62-1504 except...

Dim:

14.27mm ID x 19.10mm OD x 19.1mm L
 .5620" ID x .7520" OD x .750" L



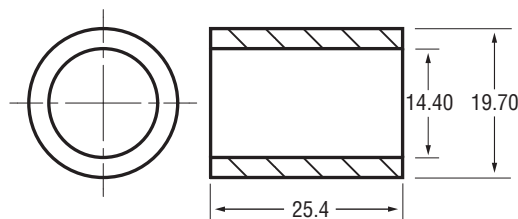
62-1505
Bushing - C.E.

For: Delco 10MT, 20MT, 22MT, 25MT, 27MT, 30MT, 35MT,
 SD300 Series DD Starters

Replaces: Delco 1891927, D1671, D1690

Dim:

14.33mm ID x 17.51mm OD x 19.1mm L
 .5642" ID x .6895" OD x .750" L



62-1506
Bushing - C.E.

For: Delco 40MT, 50MT Series DD Starters

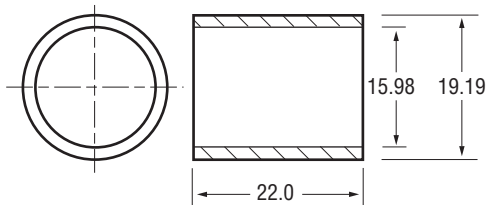
Replaces: Delco 1976047, Ref# 4288

Dim:

14.40mm ID x 19.70mm OD x 25.4mm L
 .5670" ID x .7750" OD x 1.0" L

STARTER - BUSHINGS (62-)

DELCO (cont'd.)



62-1600

Bushing - D.E.

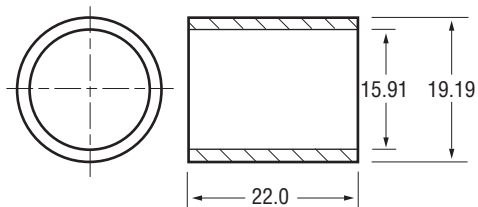
For: Delco 40MT, 41MT, 42MT, 50MT Series DD Starters

Replaces: Delco 1894635, 1945509, 10472567

Dim:

15.98mm ID x 19.19mm OD x 22.0mm L

.6290" ID x .7555" OD x .865" L



62-1600-1

Bushing - D.E.

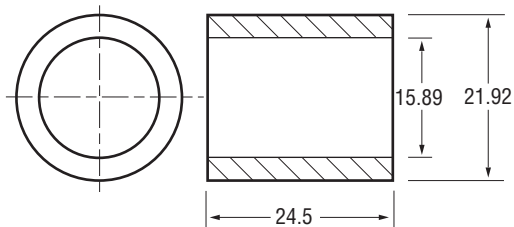
.0025" (1X) Undersize

Same as 62-1600 except...

Dim:

15.91mm ID x 19.19mm OD x 22.0mm L

.6265" ID x .7555" OD x .865" L



62-1600-7

Repair Bushing - D.E.

Oversize

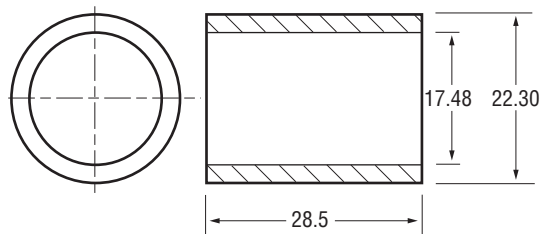
Same as 62-1600 except...

Dim:

15.89mm ID x 21.92mm OD x 24.5mm L

.6255" ID x .8630" OD x .965" L

Note: Oversize bushing for repairing worn D.E. housings



62-1601

Bushing - C.E.

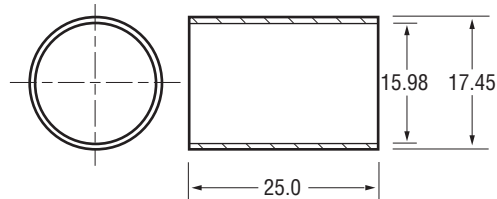
For: Delco 50MT Series DD Starters

Replaces: Delco 1869755, 1894638

Dim:

17.48mm ID x 22.30mm OD x 28.5mm L

.6880" ID x .8780" OD x 1.120" L



62-1603-8

Bushing - Drive

Split Type

For: Delco 40MT, 42MT, 50MT Series DD Starters

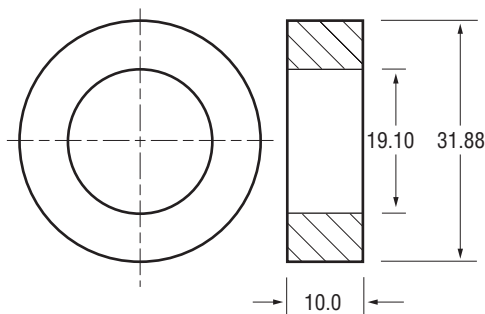
Replaces: Facet 489150

Dim:

15.98mm ID x 17.45mm OD x 25.0mm L

.6290" ID x .6870" OD x .986" L

Note: For shaft assy. used in positive engagement type drives.



62-1700

Bushing - C.S.

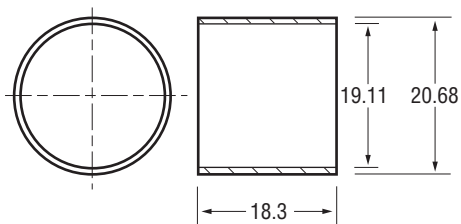
For: Delco 10MT, 20MT, 22MT, 25MT, 27MT SD300 Series, Wet Clutch DD Starters

Replaces: Delco 1962606

Dim:

19.10mm ID x 31.88mm OD x 10.0mm L

.7520" ID x 1.2550" OD x .395" L



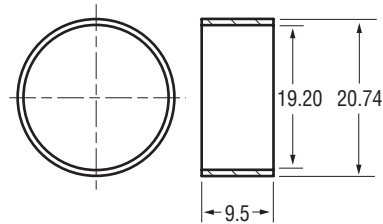
62-1701
Bushing - C.S.

For: Delco 10MT, 20MT, 25MT, 27MT, 30MT, SD300 Series DD Starters

Replaces: Delco 820148, D1678

Dim:

19.11mm ID x 20.68mm OD x 18.3mm L
.7525" ID x .8140" OD x .722" L



62-1704
Bushing - C.S.

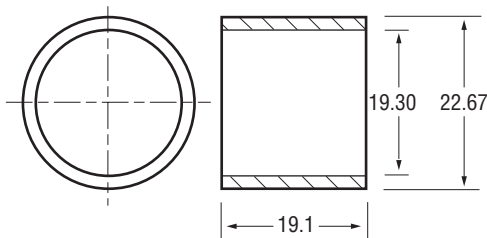
For: Delco 8MT, 10MT, 25MT, SD300 Series DD Starters

Used On: (1977-75) Chevrolet, Pontiac; Marine Applications

Replaces: Delco 1957017

Dim:

19.20mm ID x 20.74mm OD x 9.5mm L
.7560" ID x .8165" OD x .375" L



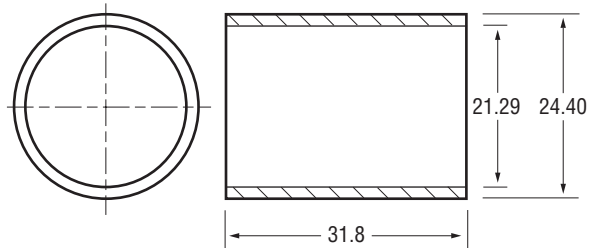
62-1702
Bushing - L.H.

For: Delco 30MT, 35MT Series DD Starters

Replaces: Delco 1933999

Dim:

19.30mm ID x 22.67mm OD x 19.1mm L
.7600" ID x .8925" OD x .750" L



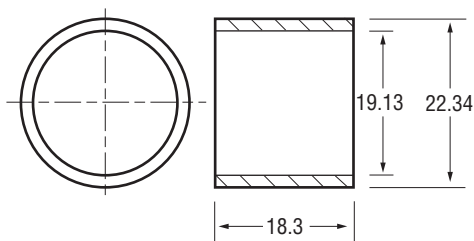
62-1800
Bushing - L.H.

For: Delco 40MT, 50MT Series DD Starters

Replaces: Delco 1894637, 1923454, 1923484

Dim:

21.29mm ID x 24.40mm OD x 31.8mm L
.8380" ID x .9605" OD x 1.250" L



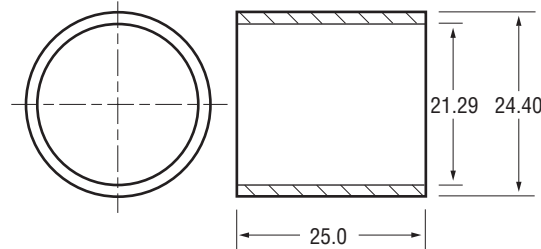
62-1703
Bushing - C.S.

For: Delco 10MT, 20MT, 22MT, 25MT, 27MT, SD300 Series DD Starters

Replaces: Delco 1894023

Dim:

19.13mm ID x 22.34mm OD x 18.3mm L
.7530" ID x .8795" OD x .720" L



62-1801
Bushing - L.H.

For: Delco 42MT Series DD Starters

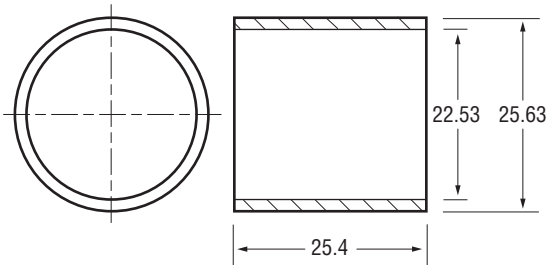
Replaces: Delco 1988096

Dim:

21.29mm ID x 24.40mm OD x 25.0mm L
.8380" ID x .9605" OD x .985" L

STARTER - BUSHINGS (62-)

DELCO (cont'd.)



62-1802

Bushing - L.H.

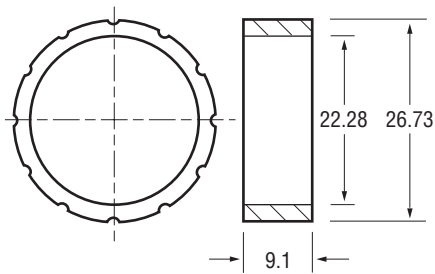
For: Delco 37MT, 41MT Series DD Starters

Replaces: Delco 1985234

Dim:

22.53mm ID x 25.63mm OD x 25.4mm L

.8870" ID x 1.0090" OD x 1.000" L



62-1803

Bushing - Stationary Gear

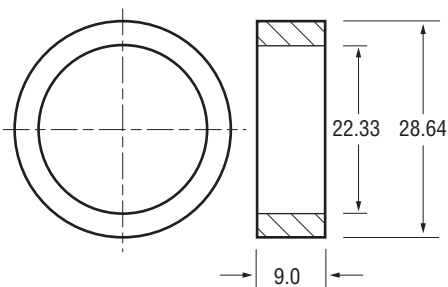
For: Delco PG260F2, PG260M Series PMGR Starters

Dim:

22.28mm ID x 26.73mm OD x 9.1mm L

.8770" ID x 1.0525" OD x .358" L

Note: Similar to 62-1805 except 62-1805 is 8.1mm L



62-1804

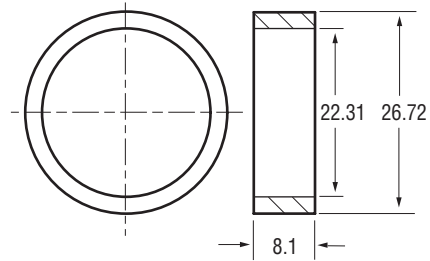
Bushing - Stationary Gear

For: Delco PG150S, PG260F1 Series PMGR Starters

Dim:

22.33mm ID x 28.64mm OD x 9.0mm L

.8790" ID x 1.1280" OD x .356" L



62-1805

Bushing - Stationary Gear

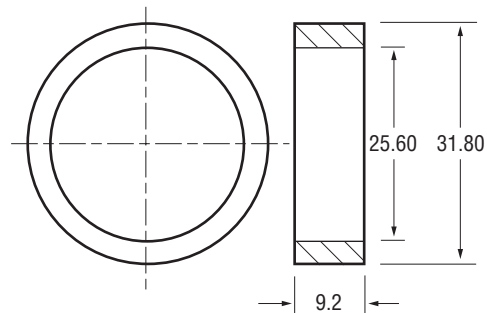
For: Delco PG260F2 Series PMGR Starters

Dim:

22.31mm ID x 26.72mm OD x 8.1mm L

.8770" ID x 1.0525" OD x .319" L

Note: 2nd production design, similar to 62-1803 except 62-1803 is 9.1mm L



62-1903

Bushing - Stationary Gear

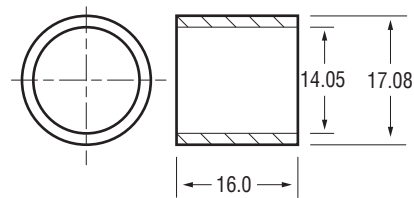
For: Delco PG200, PG250 Series PMGR Starters

Dim:

25.60mm ID x 31.80mm OD x 9.2mm L

1.0079" ID x 1.2520" OD x .363" L

Note: For needle bearing replacement use 8-115



62-84500

Bushing - D.E.

For: Delco 28MT Series OSGR Starters

Replaces: Delco 10456459

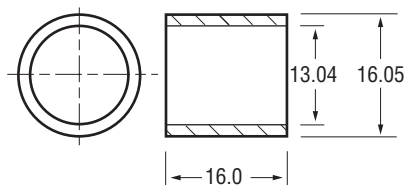
Unit Nos: Delco 1113269, 270, 271, 272, 273, 274, 275, 276, 277, 278, 279, 280, 281, 282, 283, 284, 285, 286, 288, 289, 290, 291, 292, 295, 296, 297; 10479600, 9604, 9605, 9606, 9607, 9608, 9611, 9612, 9613, 9614, 9615, 9616, 9617, 9618, 9620, 9628, 9629, 9630

Lester Nos: 6468, 6469, 6573, 6577, 6585, 6595, 6601,

Dim:

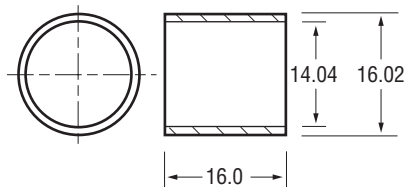
14.05mm ID x 17.08mm OD x 16.0mm L

.5530" ID x .6725" OD x .630" L



62-84502
Bushing - D.E.

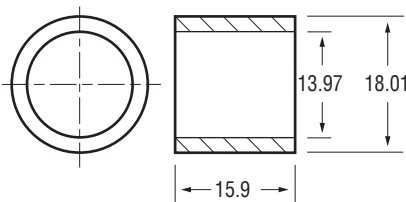
For: Delco 28MT Series OSGR Starters
Replaces: Delco 10457076
Unit Nos: Delco 1113287, 10479619
Dim:
 13.04mm ID x 16.05mm OD x 16.0mm L
 .5135" ID x .6320" OD x .630" L



62-84503
Bushing - Drive

For: Delco 28MT Series OSGR Starters
Unit Nos: Delco 1113269, 270, 271, 272, 273, 274, 275, 276, 277, 278, 279, 280, 281, 282, 284, 285, 286, 288, 289, 290, 291, 292, 295, 296, 297; 10479600, 604, 605, 606, 607, 608, 611, 612, 614, 615, 616, 617, 618, 620, 629, 630
Lester Nos: 6468, 6469, 6573, 6585, 6595
Dim:
 14.04mm ID x 16.02mm OD x 16.0mm L
 .5526" ID x .6309" OD x .631" L
Note: Used in 54-8402, 54-8404, 54-8406, 54-8407, 54-8408, 54-8410, 54-8411 starter drives

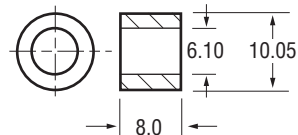
ELECTROPRECIZIA (ROMANIA)



62-99500
Bushing - D.E., C.E.

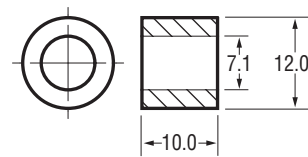
For: Electroprecizia DD Starters (Romanian)
Used On: Allis-Chalmers, Long Tractor
Unit Nos: Electroprecizia DM2130, DM2134
WAI Ref. Nos: 2-1805-RO
Dim:
 13.97mm ID x 18.01mm OD x 15.9mm L
 .5500" ID x .7090" OD x .625" L

FORD



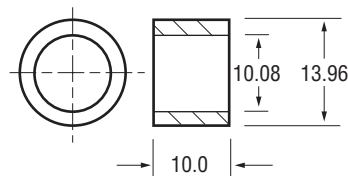
62-2200
Bushing - Planetary Gear

For: Bosch 108 Series PMGR; Ford PMGR Starters
Dim:
 6.10mm ID x 10.05mm OD x 8.0mm L
 .2400" ID x .3955" OD x .315" L
Note: For needle bearing replacement use 8-203



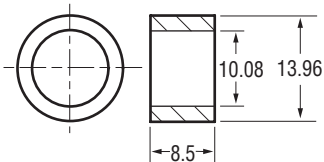
62-2201
Bushing - C.E.

For: Ford PMGR External Thru Bolt Starters
Dim:
 7.1mm ID x 12.0mm OD x 10.0mm L



62-2300
Bushing - Planetary Shaft

For: Ford PMGR Starters
Replaces: Ford E9OZ-11135-A, MC-442
Dim:
 10.08mm ID x 13.96mm OD x 10.0mm L
 .3968" ID x .5495" OD x .394" L
Note: Used in 76-2809 planetary shaft w/18mm cavity

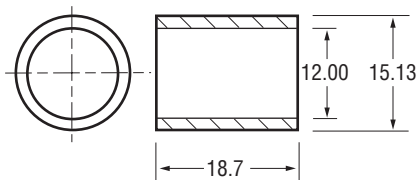


62-2301
Bushing - Planetary Shaft

For: Ford PMGR, PMGR Noseless Starters
Dim:
 10.08mm ID x 13.96mm OD x 8.5mm L
 .3968" ID x .5495" OD x .334" L

STARTER - BUSHINGS (62-)

FORD (cont'd.)



62-2400

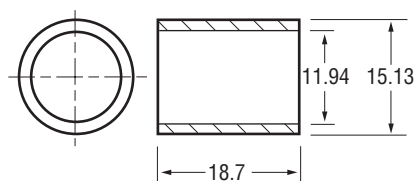
Bushing - D.E.

For: Ford 4", 4" Mod, 4-1/2", 4-1/2" Mod DD;
Chrysler OSGR Starters

Replaces: Chrysler 2098986; Ford B8TF-11052-A;
Prestolite 24-4, MDD-34

Dim:

12.00mm ID x 15.13mm OD x 18.7mm L
.4725" ID x .5955" OD x .735" L



62-2400-1

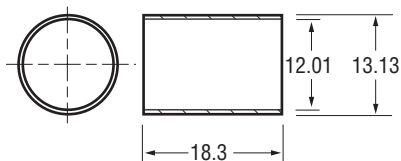
Bushing - D.E.

.0025" (1X) Undersize

Same as 62-2400 except...

Dim:

11.94mm ID x 15.13mm OD x 18.7mm L
.4700" ID x .5955" OD x .735" L



62-2401

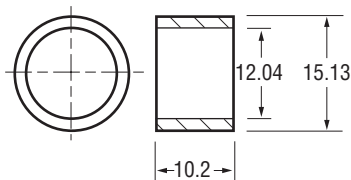
Bushing - D.E.

For: Ford 4-1/2" DD Starters

Replaces: Ford CODZ-11135-A

Dim:

12.01mm ID x 13.13mm OD x 18.3mm L
.4730" ID x .5170" OD x .720" L



62-2402

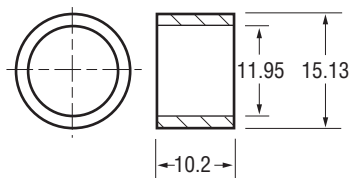
Bushing - D.E., C.E.

For: Ford 4", 4" Mod, 4-1/2", 4-1/2" Mod DD (D.E.);
PMGR, PMGR Noseless (C.E.) Starters

Replaces: Ford D0AF-11135-B, MC-209-A

Dim:

12.04mm ID x 15.13mm OD x 10.2mm L
.4740" ID x .5955" OD x .400" L



62-2402-1

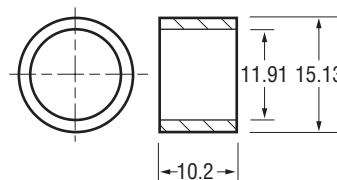
Bushing - D.E., C.E.

.0025" (1X) Undersize

Same as 62-2402 except...

Dim:

11.95mm ID x 15.13mm OD x 10.2mm L
.4705" ID x .5955" OD x .400" L



62-2402-2

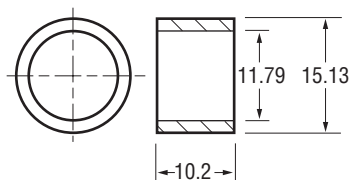
Bushing - D.E., C.E.

.0050" (2X) Undersize

Same as 62-2402 except...

Dim:

11.91mm ID x 15.13mm OD x 10.2mm L
.4690" ID x .5955" OD x .400" L



62-2402-3

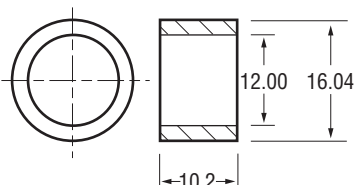
Bushing - D.E., C.E.

.0075" (3X) Undersize

Same as 62-2402 except...

Dim:

11.79mm ID x 15.13mm OD x 10.2mm L
.4640" ID x .5955" OD x .400" L



62-2403

Bushing - D.E.

For: Ford 4" Mod*, 4-1/2"*, 4-1/2" Mod* DD; PMGR Starters

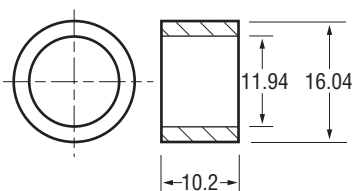
Replaces: Ford F2TZ-11135-A, MC-445

Dim:

12.00mm ID x 16.04mm OD x 10.2mm L
.4725" ID x .6313" OD x .400" L

Note: *Bushing replacement for starters w/ 8-201 needle bearing

STARTER - BUSHINGS (62-)

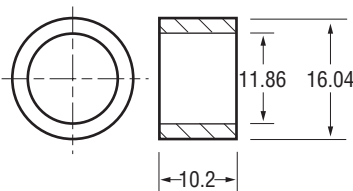


62-2403-1
Bushing - D.E.
.0025" (1X) Undersize

Same as 62-2403 except...

Dim:

11.94mm ID x 16.04mm OD x 10.2mm L
 .4700" ID x .6313" OD x .400" L

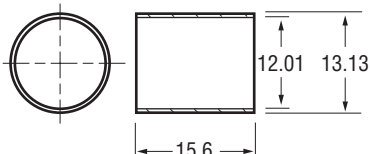


62-2403-2
Bushing - D.E.
.0050" (2X) Undersize

Same as 62-2403 except...

Dim:

11.86mm ID x 16.04mm OD x 10.2mm L
 .4670" ID x .6313" OD x .400" L



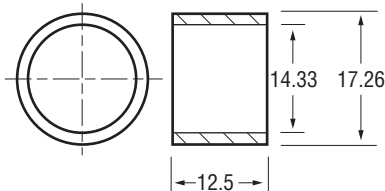
62-2404
Bushing - D.E.

For: Ford 4" DD Starters

Replaces: Ford C2DF-11135-A

Dim:

12.01mm ID x 13.13mm OD x 15.6mm L
 .4730" ID x .5170" OD x .613" L



62-2500
Bushing - Reduction Gear

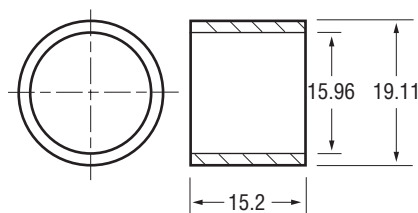
For: Ford PMOSGR Starters

Unit Nos: Ford 93BB-11000-KA, 93BB-11000-KB, F3RZ-11002-C, F5OU-11000-AA, F5OY-11002-A, F6DU-11000-AA, F6DZ-11002-A, SA-815, SA-818, SA-821-A

Lester Nos: 3263, 3264, 3266, 6643, 6656

Dim:

14.33mm ID x 17.26mm OD x 12.5mm L
 .5640" ID x .6795" OD x .490" L



62-2600
Bushing - C.E.

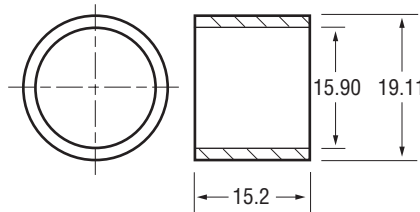
For: Ford 4-1/2" DD Starters

Replaces: Ford 18-11052;

Prestolite 24-30, 24-44, MDC-34, MZ-44A

Dim:

15.96mm ID x 19.11mm OD x 15.2mm L
 .6284" ID x .7525" OD x .600" L

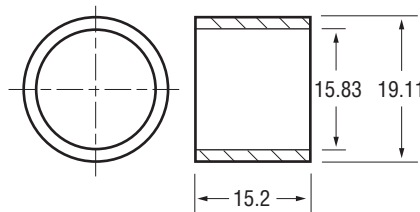


62-2600-1
Bushing - C.E.
.0025" (1X) Undersize

Same as 62-2600 except...

Dim:

15.90mm ID x 19.11mm OD x 15.2mm L
 .6258" ID x .7525" OD x .600" L

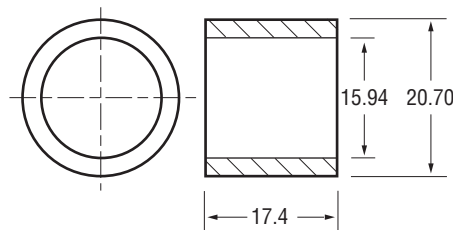


62-2600-2
Bushing - C.E.
.0050" (2X) Undersize

Same as 62-2600 except...

Dim:

15.83mm ID x 19.11mm OD x 15.2mm L
 .6234" ID x .7525" OD x .600" L



62-2601
Bushing - D.E.

For: Ford Inertia Drive Starters

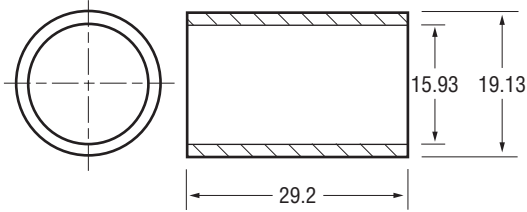
Replaces: Ford B9AF-11135-A, MC-9

Dim:

15.94mm ID x 20.70mm OD x 17.4mm L
 .6275" ID x .8150" OD x .685" L

STARTER - BUSHINGS (62-)

FORD (cont'd.)



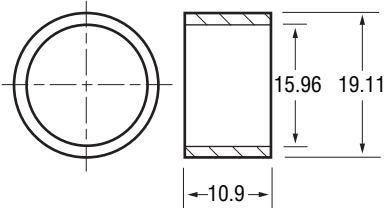
62-2603
Bushing - D.E.

For: Ford Inertia Drive Starters

Replaces: Ford B-11135

Dim:

15.93mm ID x 19.13mm OD x 29.2mm L
.6270" ID x .7530" OD x 1.150" L



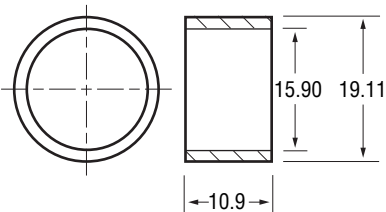
62-2604
Bushing - C.E.

For: Ford 4" Mod, 4-1/2", 4-1/2" Mod DD Starters

Replaces: Ford D3AZ-11052-A, MC-220

Dim:

15.96mm ID x 19.11mm OD x 10.9mm L
.6284" ID x .7525" OD x .430" L

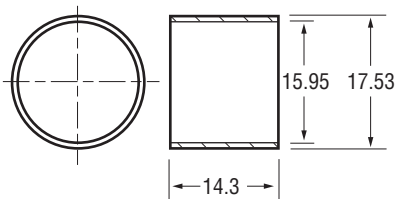


62-2604-1
Bushing - C.E.
.0025" (1X) Undersize

Same as 62-2604 except...

Dim:

15.90mm ID x 19.11mm OD x 10.9mm L
.6259" ID x .7525" OD x .430" L



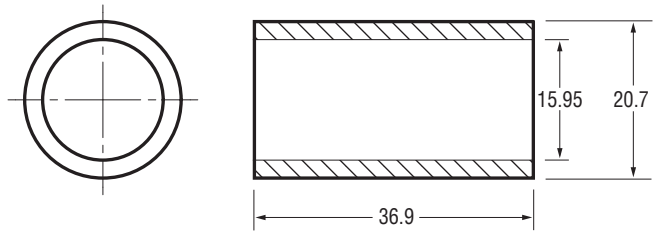
62-2605
Bushing - C.E.

For: Ford 4" DD Starters

Replaces: Ford C2DF-11052-A, MC-93

Dim:

15.95mm ID x 17.53mm OD x 14.3mm L
.6280" ID x .6900" OD x .562" L



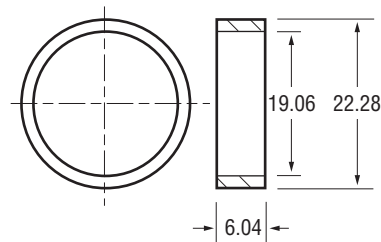
62-2606
Bushing - D.E.

For: Ford Inertia Drive Starters

Replaces: Ford 1CM-11135-A, COAF-11135-A, MC-10, Ref# 4401

Dim:

15.95mm ID x 20.7mm OD x 36.9mm L
.628" ID x .815" OD x 1.45" L



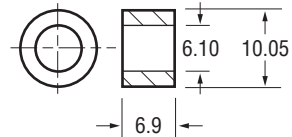
62-2700
Bushing - Stationary Gear

For: Ford PMGR, PMGR Noseless, PMGR External Thru Bolt Starters

Dim:

19.06mm ID x 22.28mm OD x 6.04mm L
.7505" ID x .8770" OD x .238" L

HITACHI



62-81200
Bushing - Planetary Gear

For: Hitachi PMGR Starters

Used On: (1994-93) Mercury, Nissan

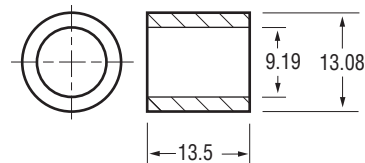
Unit Nos: Hitachi S114-757

Lester Nos: 17476, 17479

WAI Ref. Nos: 2-1441-HI

Dim:

6.10mm ID x 10.05mm OD x 6.9mm L
.2400" ID x .3955" OD x .273" L



62-81300
Bushing - D.E., C.E.

For: Hitachi DD Starters
(cont'd.)

(cont'd.)

Used On: John Deere, Kawasaki, Subaru, Industrial & Marine Applications

Unit Nos: Hitachi S108-28H, K; S108-56, S108-76, A

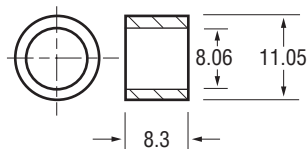
WAI Ref. Nos: 2-2048-HI

Dim:

9.19mm ID x 13.08mm OD x 13.5mm L

.3620" ID x .5150" OD x .530" L

Note: Not prefit



62-81301

Bushing - Planetary Shaft

For: Hitachi PMGR Starters

Used On: (2002-92) Acura, Isuzu, Mercury, Nissan

Unit Nos: Hitachi S114-753, C; S114-755, S114-756, S114-757, S114-766A, S114-767

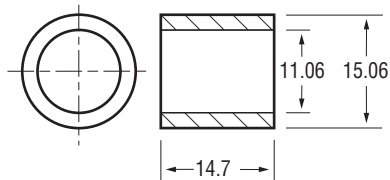
Lester Nos: 17146, 17476, 17479, 17509

WAI Ref. Nos: 2-1117-HI, 2-1441-HI, 2-1560-HI

Dim:

8.06mm ID x 11.05mm OD x 8.3mm L

.3175" ID x .4350" OD x .325" L



62-81400

Bushing - D.E.

For: Hitachi DD Starters

Used On: (1982-72) Chevrolet

Unit Nos: Hitachi S114-103K, L, M, N, P; S114-108L, S114-118; S114-121, N; S114-126, L; S114-132, S114-136, S114-192

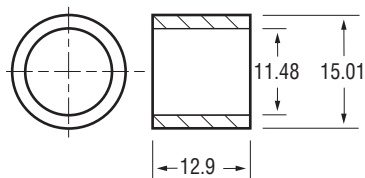
Lester Nos: 16190, 16203, 16209, 16270

WAI Ref. Nos: 2-1076-HI, 2-1079-HI, 2-1192-HI, 2-1428-HI

Dim:

11.06mm ID x 15.06mm OD x 14.7mm L

.4355" ID x .5930" OD x .579" L



62-81401

Bushing - C.E.

For: Hitachi DD Starters

Used On: (1982-72) Chevrolet

Unit Nos: Hitachi S114-103K, L, M, N, P; S114-108L, S114-118; S114-121, N; S114-122, N, S114-132, S114-136, S114-192

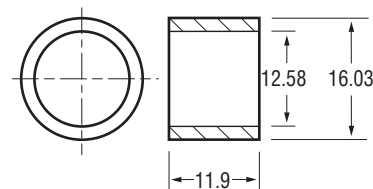
Lester Nos: 16190, 16203, 16209, 16270

WAI Ref. Nos: 2-1076-HI, 2-1079-HI, 2-1192-HI, 2-1428-HI

Dim:

11.48mm ID x 15.01mm OD x 12.9mm L

.4520" ID x .5910" OD x .509" L



62-81402

Bushing - D.E., C.E., Reduction Gear

For: Hitachi DD, OSGR, PMGR Starters

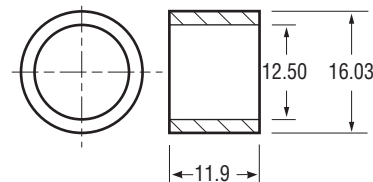
Used On: (1999-70) Honda, Infiniti, Isuzu, Nissan, Opel, Subaru; Bobcat, Iseki, Ishikawajima, John Deere, Komatsu, Nissan Lift Truck, Onan, Teledyne Continental, Toyosha, Volvo-Penta, Wisconsin-Robin, Yanmar

Lester Nos: 16194, 16203, 16207, 16209, 16211, 16270, 16499, 16579, 16589, 16711, 16719, 16732, 16735, 16773, 16774, 16775, 16805, 16806, 16807, 16811, 16814, 16817, 16843, 16877, 16908, 16911, 16918, 16985, 16991, 16992, 16993, 17057, 17069, 17145, 17146, 17147, 17161, 17196, 17246, 17454, 17695, 17713

Dim:

12.58mm ID x 16.03mm OD x 11.9mm L

.4951" ID x .6310" OD x .470" L



62-81402-1

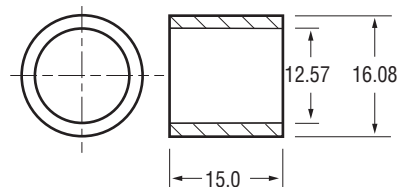
**Bushing - D.E., C.E., Reduction Gear
.0025" (1X) Undersize**

Same as 62-81402 except...

Dim:

12.50mm ID x 16.03mm OD x 11.9mm L

.4920" ID x .6310" OD x .470" L



62-81404

Bushing - D.E.

For: Hitachi DD Starters

Used On: (1989-70) Honda, Isuzu, Nissan, Opel; Iseki, Ishikawajima, John Deere, Komatsu, Nissan Lift Truck, Onan, Teledyne Continental, Toyosha, Wisconsin-Robin, Yanmar

Lester Nos: 16194, 16203, 16207, 16209, 16211, 16270, 16499, 16579, 16589, 16711, 16719, 16735, 16773, 16811, 16877, 16908, 16911, 16993

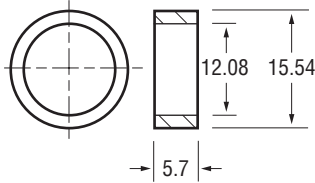
Dim:

12.57mm ID x 16.08mm OD x 15.0mm L

.4950" ID x .6330" OD x .590" L

STARTER - BUSHINGS (62-)

HITACHI (cont'd.)



62-81408

Bushing - C.E.

For: Hitachi PMGR Starters

Used On: (2002-92) Acura, Infiniti, Isuzu, Mercury, Nissan

Unit Nos: Hitachi S114-753, C, S114-755, S114-756, S114-757, S114-766A, S114-767, S114-800B; S114-801A, B, C; S114-802A, S114-806A, S114-814, S114-815, S114-822

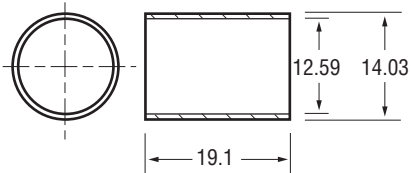
Lester Nos: 17146, 17246, 17476, 17479, 17509, 17695, 17713

WAI Ref. Nos: 2-1117-HI, 2-1128-HI, 2-1441-HI, 2-1560-HI, 2-1694-HI, 2-1856-HI, 2-1935-HI, 2-2009-HI

Dim:

12.08mm ID x 15.54mm OD x 5.7mm L

.4755" ID x .6120" OD x .225" L



62-81409

Bushing - Starter Drive

For: Hitachi DD, OSGR, PMDD; Nippondenso DD Starters

Used On: (1994-70) Nissan, Subaru, Toyota; Bobcat, Kubota

Unit Nos: Hitachi S114-617A, S114-630, S114-161B, S114-161E, S114-161F, S114-182G, S114-295, S114-315, S114-316; S114-317, A; S114-318, A; S114-345, A; S114-377, S114-378, S114-382; S114-419, A; S114-424, S114-556, S114-608A;

Nippondenso 028000-224, -293, -350, -380, -404, -452, -460, -463, -465, -469

Lester Nos: 16194, 16215, 16258, 16260, 16261, 16579, 16732, 16773, 16775, 16918, 16991, 16993, 17057, 17147

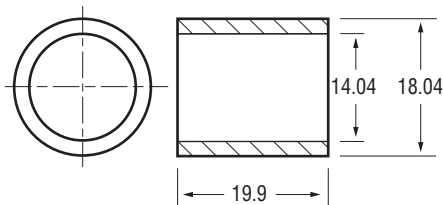
WAI Ref. Nos: 2-1027-ND, 2-1077-HI, 2-1081-HI, 2-1085-HI, 2-1092-HI, 2-1093-HI, 2-1096-HI, 2-1097-HI, 2-1098-HI, 2-1112-HI, 2-1118-HI, 2-1211-HI, 2-1421-ND, 2-1422-ND

Dim:

12.59mm ID x 14.03mm OD x 19.1mm L

.4955" ID x .5522" OD x .750" L

Note: Used in 54-8103, 54-8109, 54-8208 starter drives



62-81500

Bushing - D.E.

For: Hitachi DD Starters

Used On: (1982-81) Nissan; Allis-Chalmers, Isuzu,

Nissan Lift Truck, Thermo King, Toyosha, Yanmar

(cont'd.)

(cont'd.)

Unit Nos: Hitachi S12-19C, KB; S12-23, S12-41A, S12-59; S12-63, A, B, C; S12-68, A, B, D; S12-77, A; S12-79, S12-82, S13-06A, S13-55, S25-64E

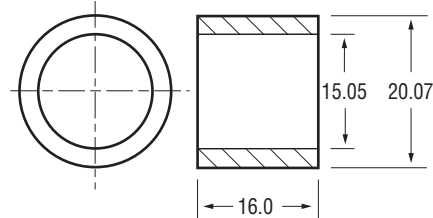
Lester Nos: 16771, 16808, 17088

WAI Ref. Nos: 2-1089-HI, 2-1734-HI, 2-2032-HI

Dim:

14.04mm ID x 18.04mm OD x 19.9mm L

.5526" ID x .7101" OD x .782" L



62-81501

Bushing - C.E.

For: Hitachi DD Starters

Used On: (1982-81) Nissan; Ishikawajima, Isuzu,

Nissan Lift Truck, Thermo King, Toyosha, Yanmar

Unit Nos: Hitachi S12-19C, KB; S12-23, S12-39, S12-41A, S12-59; S12-63, A, B, C; S12-68, A, B, D; S12-77, A; S12-79, S12-82, S13-06A, S13-24A, S13-61A, S25-64E

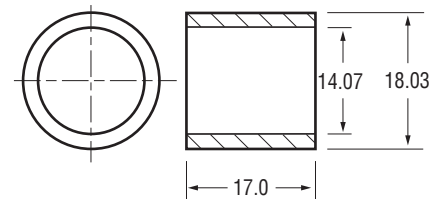
Lester Nos: 16771, 16808, 17088

WAI Ref. Nos: 2-1089-HI, 2-1734-HI, 2-2026-HI, 2-2032-HI

Dim:

15.05mm ID x 20.07mm OD x 16.0mm L

.5926" ID x .7901" OD x .628" L



62-81502

Bushing - D.E., C.E.

For: Hitachi DD, OSGR Starters

Used On: (1986-83) Nissan; Allis-Chalmers, Ford Tractor,

Ishikawajima, Isuzu, Massey Ferguson, Toyosha, Yanmar

Unit Nos: Hitachi S12-39, S12-52, S12-58, S12-61, S12-62, S13-14, S13-24A, S13-28, S13-31; S13-32, A; S13-33A, B; S13-34A, S13-36; S13-40, A; S13-41, A; S13-43; S13-45, A, B; S13-46, A; S13-55, S13-61A, S13-73, S13-78, S13-138; S25-129, A, C

Lester Nos: 16739, 16771

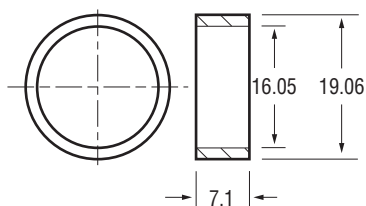
WAI Ref. Nos: 2-1088-HI, 2-1193-HI, 2-2016-HI, 2-2026-HI

Dim:

14.07mm ID x 18.03mm OD x 17.0mm L

.5540" ID x .7100" OD x .670" L

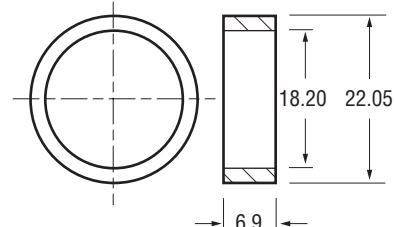
STARTER - BUSHINGS (62-)



62-81601

Bushing - Stationary Gear Retainer

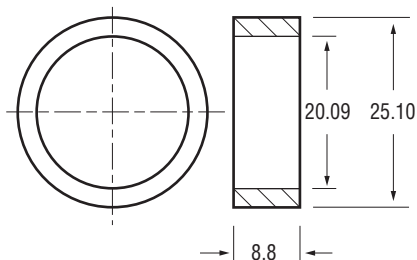
For: Hitachi PMGR Starters
Used On: (1995-86) Nissan
Unit Nos: Hitachi S114-503A, S114-516, S114-517C, S114-519A, S114-520B; S114-525, A; S114-527, A; S114-528, S114-534; S114-701A, C
Lester Nos: 16817, 17146, 17161, 17196, 17246, 17454
WAI Ref. Nos: 2-1107-HI, 2-1115-HI, 2-1117-HI, 2-1122-HI, 2-1123-HI, 2-1128-HI, 2-1446-HI
Dim:
 16.05mm ID x 19.06mm OD x 7.1mm L
 .6320" ID x .7505" OD x .278" L



62-81702

Bushing - C.S.

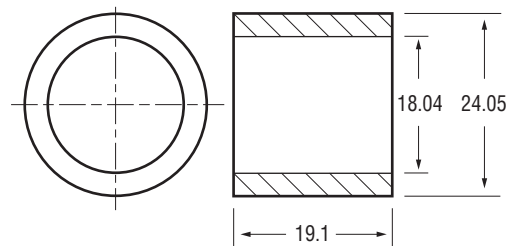
For: Hitachi PMGR Starters
Used On: (1995-86) Mercury, Nissan
Unit Nos: Hitachi S114-503A; S114-516, A; S114-517C, S114-519A, S114-520B; S114-525, A; S114-527, A, B; S114-528, A; S114-534; S114-701A, C; S114-757
Lester Nos: 16817, 17146, 17161, 17196, 17246, 17454, 17476, 17479
WAI Ref. Nos: 2-1107-HI, 2-1115-HI, 2-1117-HI, 2-1122-HI, 2-1123-HI, 2-1128-HI, 2-1441-HI, 2-1446-HI
Dim:
 18.20mm ID x 22.05mm OD x 6.9mm L
 .7165" ID x .8680" OD x .271" L



62-81700

Bushing - D.E.

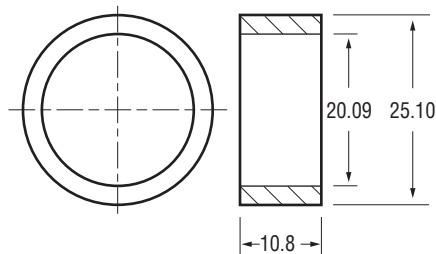
For: Hitachi OSGR Starters
Used On: (1994-85) Infiniti, Nissan
Unit Nos: Hitachi S114-430A, B; S114-439, A; S114-441A, B; S114-461, A, B; S114-484
Lester Nos: 16806, 16807, 16814, 17069, 17145
WAI Ref. Nos: 2-1101-HI, 2-1102-HI, 2-1103-HI, 2-1116-HI, 2-1222-HI
Dim:
 20.09mm ID x 25.10mm OD x 8.8mm L
 .7910" ID x .9880" OD x .346" L



62-81703

Bushing - D.E., C.E.

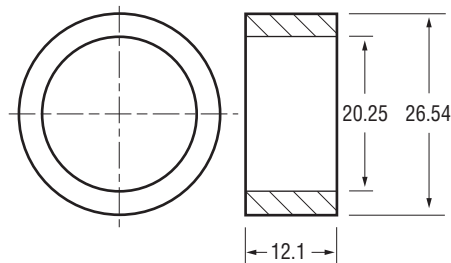
For: Hitachi DD Starters
Used On: Navistar, UD Nissan Diesel
Unit Nos: Hitachi S15-02, S15-03
WAI Ref. Nos: 2-1804-HI
Dim:
 18.04mm ID x 24.05mm OD x 19.1mm L
 .7102" ID x .9470" OD x .750" L



62-81701

Bushing - Starter Drive Plate

For: Hitachi OSGR Starters
Used On: (1992-85) Infiniti, Nissan
Unit Nos: Hitachi S114-439A; S114-441A, B; S114-461, S114-484
Lester Nos: 16807, 16814, 17069, 17145
WAI Ref. Nos: 2-1101-HI, 2-1103-HI, 2-1116-HI, 2-1222-HI
Dim:
 20.09mm ID x 25.10mm OD x 10.8mm L
 .7910" ID x .9880" OD x .425" L
Note: Used in 54-8111, 54-8139 starter drive assys.



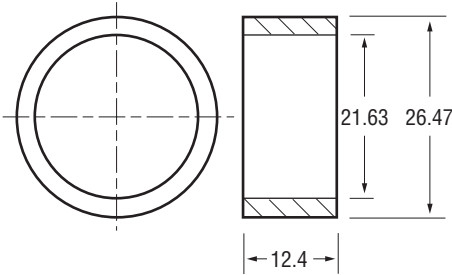
62-81800

Bushing - C.S.

For: Hitachi DD Starters
Used On: (1982-81) Nissan; Allis-Chalmers, Ford Tractor, Ishikawajima, Thermo King, Toyosha, Yanmar
Unit Nos: Hitachi S12-19C, KB; S12-23, S12-39, S12-41A, S12-52, S12-58, S12-59, S12-61, S12-62; S12-63, A, B, C; S12-68, A, B, D; S12-77, A; S12-79, S12-82, S13-06A, S13-14, S13-24A, S13-28, S13-31; S13-32, A; S13-55, S13-61A, S25-121A; S25-129, A, C; S25-64E
Lester Nos: 16739, 16771, 16808, 17088
WAI Ref. Nos: 2-1089-HI, 2-1193-HI, 2-1734-HI, 2-2026-HI, 2-2032-HI
Dim:
 20.25mm ID x 26.54mm OD x 12.1mm L
 .7973" ID x 1.0450" OD x .475" L

STARTER - BUSHINGS (62-)

HITACHI (cont'd.)



62-81802

Bushing - C.S.

For: Hitachi DD Starters

Used On: Volvo-Penta Marine

Unit Nos: Hitachi S114-232A, S114-237;

Volvo-Penta 834339-4, 834976-3, 840808-0, 859553-0

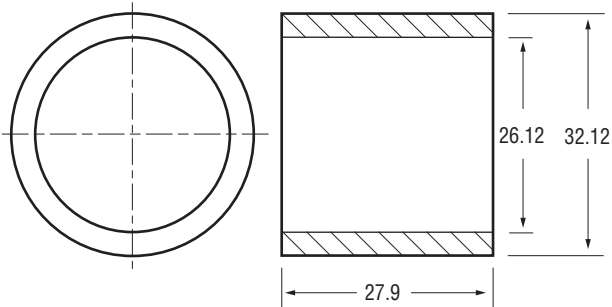
Lester Nos: 16954

WAI Ref. Nos: 2-1288-HI, 2-1288-HI

Dim:

21.63mm ID x 26.47mm OD x 12.4mm L

.8516" ID x 1.042" OD x .490" L



62-81900

Bushing - C.S.

For: Hitachi DD Starters

Used On: Navistar, UD Nissan Diesel

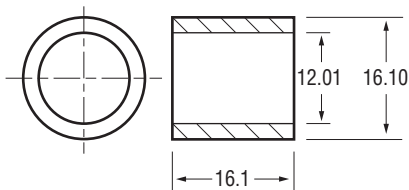
Unit Nos: Hitachi S15-02, S15-03

WAI Ref. Nos: 2-1804-HI

Dim:

26.12mm ID x 32.12mm OD x 27.9mm L

1.0285" ID x 1.2640" OD x 1.100" L



62-91402

Bushing - D.E.

For: Bosch 218 Series PLGR; 310, 311, 314, 317, 362, 363, 369 Series; Hitachi, Iskra* DD Starters

Used On: (1999-70) Audi, BMW, Mercedes, Mercury, Saab, VW, Volvo, Yugo; Deutz, KHD, Volvo-Penta

Replaces: Bosch 1-000-301-011

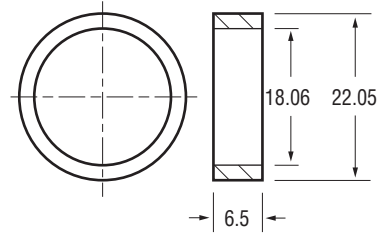
Lester Nos: 16257, 16299, 16360, 16362, 16405, 16412, 16414, 16445, 16537, 16539, 16541, 16543, 16615, 16616, 16617, 16781, 16949, 16957, 16961, 16985, 16999, 17009, 17012, 17043, 17414

Dim:

12.01mm ID x 16.10mm OD x 16.1mm L

.4730" ID x .6340" OD x .632" L

Note: *Also used in C.E. frame of Iskra starters



62-91702

Bushing - C.S., Stationary Gear Retainer

For: Bosch 218 Series PLGR (Stationary Gear Retainer); Hitachi PMGR Starters (C.S.)

Used On: (2002-84) Acura, BMW, Infiniti, Isuzu, Mercedes, Nissan, Volvo

Unit Nos: Bosch 0-001-218-004, -006, -009, -012, -013, -017,

-018, -021, -027, -028, -108, -110, -137, -138, -150, -156;

Hitachi S114-753, C; S114-755, S114-756, S114-766A,

S114-767, S114-800B; S114-801A, B, C; S114-802A,

S114-814, S114-815

Lester Nos: 17009, 17016, 17040, 17146, 17183, 17246,

17414, 17476, 17479, 17509, 17695, 17713

WAI Ref. Nos: 2-1117-HI, 2-1128-HI, 2-1262-BO, 2-1268-BO,

2-1276-BO, 2-1289-BO, 2-1441-HI, 2-1540-BO, 2-1560-HI,

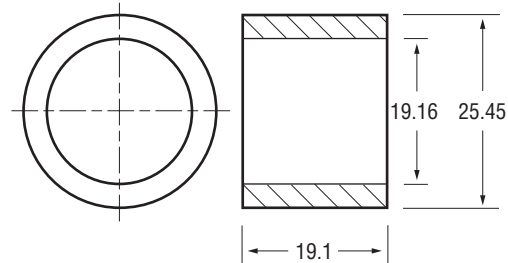
2-1694-HI, 2-1856-HI, 2-2009-HI

Dim:

18.06mm ID x 22.05mm OD x 6.5mm L

.7110" ID x .8680" OD x .255" L

LEECE-NEVILLE



62-5700

Bushing - D.E., C.E.

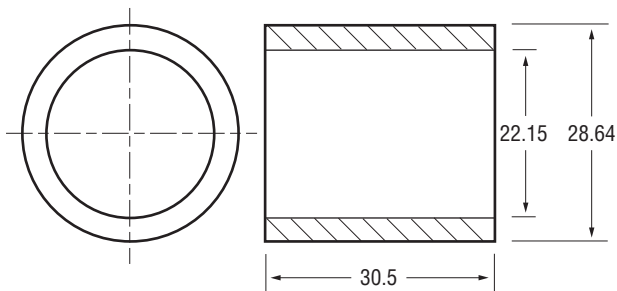
For: Leece-Neville DD Starters

Replaces: Leece-Neville 38401, 98401, M027098401

Dim:

19.16mm ID x 25.45mm OD x 19.1mm L

.7545" ID x 1.002" OD x .753" L



62-5800

Bushing - L.H.

For: Leece-Neville DD Starters

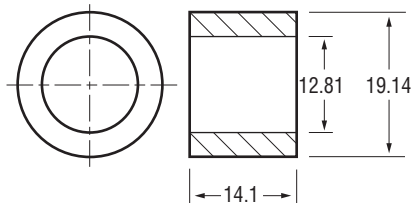
Replaces: Leece-Neville 73644, 98644, M027098644

Dim:

22.15mm ID x 28.64mm OD x 30.5mm L

.8720" ID x 1.1280" OD x 1.20" L

LUCAS



62-92500

Bushing - C.E.

For: Lucas M50, M127 Series DD Starters

Used On: Allis-Chalmers, JCB

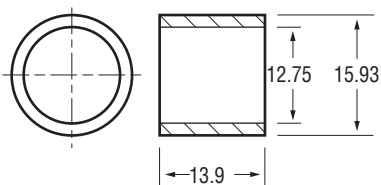
Replaces: Lucas 54240589, 54243853*, 54257833, TCB118* (*set#)

Unit Nos: Lucas 26211, 26227, 26246, 26265, 26274, 26291, 26294, 26295, 26298, 26304, 26312, 26316, 26323, 26338, 26339, 26341, 26342, 26343, 26345, 26345, 26349, 26351, 26352, 26356, 26357, 26358, 26359, 26363, 26366, 26369, 26376, 26379, 26384, 26388, 26395, 26398, 26404, 26407, 26410, 26414, 26416, 26417, 26421, 26423, 26428, 26429, 26431, 26433, 26435, 27500, 27508, 27515, 27516, 27518, 27519, 27528, 27533, 27536, 27539, 27540, 27541, 27543, 27553, 27554, 27556, 27558, 27569, 27572

Dim:

12.81mm ID x 19.14mm OD x 14.1mm L
.5044" ID x .7535" OD x .554" L

Note: Included in 79-92104 bushing kit.



62-92501

Bushing - C.E.

For: Lucas 2M113, M45G Series DD Starters

Used On: (1991-73) Jaguar, Peugeot; Fiatallis, IHC, Lister-Petter

Replaces: Lucas 54243853*, 54256132, 60600047*, 60600306*, 60600327*, TCB105*, TCB106*, TCB110*, TCB111, TCB118* (*set#)

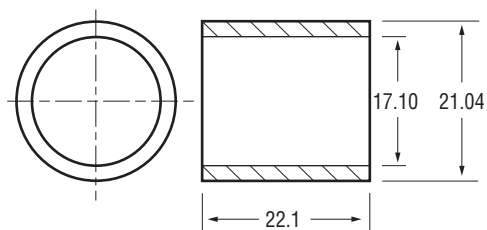
Unit Nos: Lucas 26215, 26236, 26264, 26266, 26268, 26269, 26270, 26271, 26275, 26278, 26278, 26279, 26283, 26286, 26288, 26298, 26301, 26310, 26327, 26342, 26346, 26364, 26371, 26375, 26381, 26383, 26390, 26394, 26400, 26412, 26413, 26422, 27401, 27405, 27409, 27411, 27413, 27414, 27417, 27419, 27420, 27426, 27428, 27430, 27431, 27432, 27433, 27435, 27440, 27454, 27457, 27458, 27518, 27569, 27569

Lester Nos: 16175, 16660, 16752, 17293

WAI Ref. Nos: 2-1296-LU, 2-1333-LU, 2-2038-LU

Dim:

12.75mm ID x 15.93mm OD x 13.9mm L
.5020" ID x .6270" OD x .548" L



62-92600

Bushing - D.E.

For: Lucas 2M113, M45G, M50, M127 Series DD Starters

Used On: Allis-Chalmers, IHC, JCB, Lister-Petter, Massey Ferguson, Perkins

Replaces: Lucas 54243853*, 54255966, TCB118* (*set#)

Unit Nos: Lucas 26211, 215, 227, 236, 246, 264, 265, 268, 270, 271, 274, 274, 275, 278, 279, 283, 286, 288, 291, 294, 295, 301, 304, 310, 312, 316, 323, 338, 339, 341, 343, 345, 349, 351, 352, 356, 357, 358, 359, 363, 364, 366, 369, 371, 375, 376, 379, 384, 388, 395, 398, 400, 404, 407, 410, 412, 413, 414, 416, 417, 421, 422, 423, 428, 429, 431, 433, 435; 27301, 311, 409, 411, 414, 417, 419, 420, 426, 431, 432, 433, 435, 500, 508, 515, 516, 518, 519, 528, 533, 536, 539, 540, 541, 543, 553, 554, 556, 558

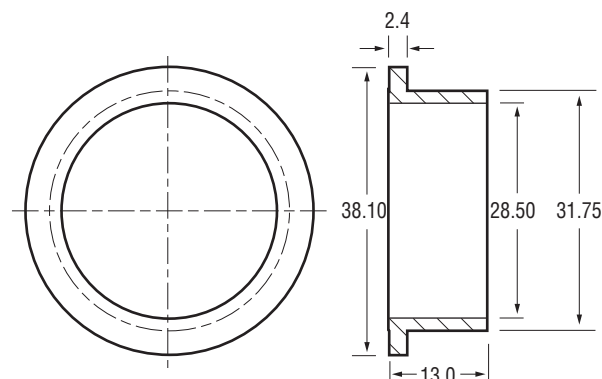
Lester Nos: 16660

WAI Ref. Nos: 2-2038-LU

Dim:

17.10mm ID x 21.04mm OD x 22.1mm L
.6734" ID x .8283" OD x .870" L

Note: Included in 79-92104 bushing kit.



62-92900

Bushing - C.S.

For: Lucas 2M113, M45G, M50, M127 Series DD Starters

Used On: (1991-73) Jaguar, Peugeot; Allis-Chalmers, Fiatallis, IHC, JCB, Lister-Petter, Massey Ferguson, Perkins

Replaces: Lucas 54243853*, 54256151, 60600047*, 60600306*, TCB106*, TCB110*, TCB118* (*set#)

Lester Nos: 16175, 16660, 16752, 17293

WAI Ref. Nos: 2-1296-LU, 2-1333-LU, 2-2038-LU

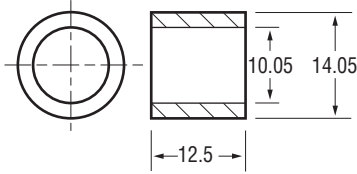
Dim:

28.50mm ID x 31.75mm OD x 13.0mm L
1.1220" ID x 1.2500" OD x .512" L

Note: Included in 79-92104 bushing kit.

STARTER - BUSHINGS (62-)

MANDO



62-83300

Bushing - D.E., Planetary Shaft

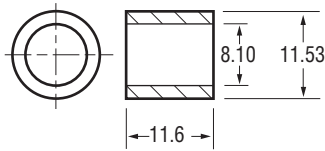
For: Mando DD; Mitsubishi DD, PLGR, PMDD, PMGR Starters

Used On: (2005-84) Acura, AMC, Chevrolet, Chrysler, Dodge, Eagle, Ford, Geo, Hyundai, Infiniti, Jeep, Kia, Mazda, Mercury, Mitsubishi, Nissan, Plymouth, Subaru, Suzuki; Kubota, Nissan Lift Truck, Onan, Woods Equipment, Yale Lift Truck

Lester Nos: 16514, 579, 711, 729, 774, 775, 793, 794, 874, 888, 889, 900, 922, 930, 931, 932, 933, 938, 939, 940, 941, 966, 971, 998; 17006, 010, 046, 131, 132, 133, 142, 146, 147, 151, 161, 166, 167, 175, 176, 181, 185, 192, 194, 206, 212, 214, 217, 221, 246, 266, 270, 275, 288, 425, 432, 448, 451, 461, 467, 469, 470, 478, 479, 480, 505, 507, 514, 539, 541, 557, 559, 564, 566, 592, 599, 662, 684, 685, 686, 688, 689, 704, 708, 709, 717, 718, 722, 723, 726, 732, 733, 734, 740, 765, 766, 772, 773, 775, 795, 796

Dim:

10.05mm ID x 14.05mm OD x 12.5mm L
.3955" ID x .5530" OD x .492" L



62-83301

Bushing - Planetary Gear

For: Mando PMGR; Mitsubishi PLGR, PMGR Starters

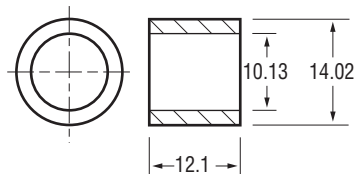
Used On: (2005-85) Acura, AMC, Chevrolet, Chrysler, Dodge, Eagle, Ford, Geo, Hyundai, Infiniti, Jeep, Mazda, Mercury, Mitsubishi, Nissan, Plymouth, Subaru, Suzuki; Caterpillar, Clark

Lester Nos: 16874, 888, 889, 900, 930, 931, 932, 933, 939, 998; 17006, 046, 131, 132, 133, 142, 146, 151, 161, 166, 167, 175, 176, 180, 185, 192, 194, 206, 217, 221, 246, 266, 275, 425, 432, 448, 461, 467, 478, 479, 480, 505, 507, 559, 561, 564, 577, 578, 592, 599, 683, 685, 686, 688, 691, 708, 709, 717, 718, 719, 722, 723, 726, 740, 767

Dim:

8.10mm ID x 11.53mm OD x 11.6mm L
.3190" ID x .4540" OD x .455" L

Note: For bushing w/ 10.92mm OD use 62-83304



62-83302

Bushing - Planetary Shaft

For: Mando PMGR; Mitsubishi PLGR, PMGR Starters

Used On: (2002-85) AMC, Chevrolet, Chrysler, Dodge, Eagle, Ford, Geo, Hyundai, Infiniti, Jeep, Mazda, Mitsubishi, Nissan, Plymouth, Subaru, Suzuki; Caterpillar, Clark

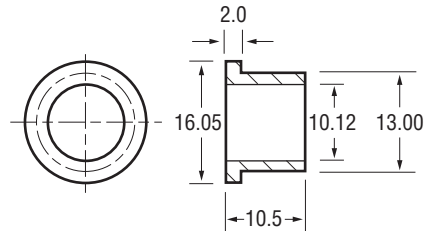
(cont'd.)

(cont'd.)

Lester Nos: 16874, 888, 889, 900, 930, 931, 932, 933, 939, 998; 17006, 046, 131, 132, 133, 142, 146, 151, 161, 166, 167, 175, 176, 180, 185, 192, 194, 206, 214, 217, 221, 246, 266, 425, 448, 451, 461, 469, 470, 478, 505, 507, 514, 539, 541, 557, 559, 561, 564, 566, 577, 578, 599, 686, 689, 719, 739

Dim:

10.13mm ID x 14.02mm OD x 12.1mm L
.3990" ID x .5520" OD x .475" L



62-83303

Bushing - C.E.

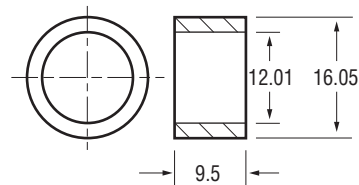
For: Mando, Mitsubishi PMGR Starters

Used On: (2005-85) Chevrolet, Chrysler, Dodge, Eagle, Ford, Geo, Hyundai, Infiniti, Jeep, Mazda, Mercury, Mitsubishi, Nissan, Plymouth, Subaru, Suzuki; Caterpillar, Clark

Lester Nos: 16874, 889, 900, 939, 998; 17006, 046, 131, 132, 133, 142, 146, 151, 161, 166, 167, 175, 176, 180, 192, 194, 206, 214, 217, 221, 246, 266, 425, 451, 461, 467, 469, 470, 478, 479, 480, 505, 507, 539, 541, 557, 559, 561, 564, 566, 592, 599, 683, 686, 688, 689, 691, 708, 709, 719, 726, 734, 740, 765, 766, 767, 772, 773, 775, 795, 796

Dim:

10.12mm ID x 13.00mm OD x 10.5mm L
.3985" ID x .5120" OD x .414" L



62-83404

Bushing - C.E.

For: Mando DD, PMGR; Mitsubishi DD, PMGR Starters

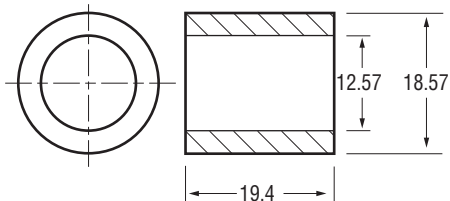
Used On: (2002-83) Chevrolet, Dodge, Eagle, Ford, Geo, Hyundai, Kia, Mazda, Mercury, Mitsubishi, Nissan, Plymouth, Subaru, Suzuki; Kubota, Lincoln Electric, Nissan Lift Truck, Onan, Woods

Lester Nos: 16514, 16579, 16711, 16729, 16774, 16775, 16793, 16794, 16858, 16922, 16938, 16940, 16941, 16966, 16971, 17010, 17057, 17147, 17181, 17212, 17248, 17270, 17288, 17580, 17662, 17684, 17704, 17732, 17733

Dim:

12.01mm ID x 16.05mm OD x 9.5mm L
.4730" ID x .6320" OD x .373" L

MARELLI



62-93400

Bushing - D.E.

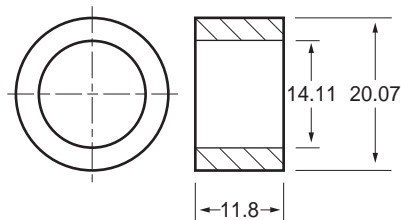
For: Marelli 12V/3.5kW, 24V/4.0kW DD Starters

Used On: Allis-Chalmers, Fiatallis, John Deere, Long, Oliver, White

Unit Nos: Marelli 63216727, 63216733, 63216738, 63216740, 63216741, 63216747, 63216748, 63216763, 63216802, 63216808, 63216814, 63216815, 63216825, 63216826, 63216827, 63216833, 63216873, 63216874, 63216876, 63216898, 63217104, 63217108, 63217118, 63217120, 63217121, 63217125, 63217126, 63217138, 63217147, 63217401

Dim:

12.57mm ID x 18.57mm OD x 19.4mm L
.4950" ID x .7310" OD x .765" L



62-93500

Bushing - C.E.

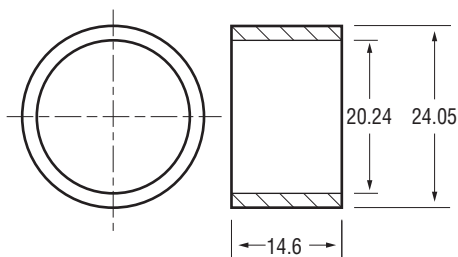
For: Marelli 12V/3.5kW, 24V/4.0kW DD Starters

Used On: Allis-Chalmers, Fiatallis, John Deere, Long, Oliver, White

Unit Nos: Marelli 63216727, 63216733, 63216738, 63216740, 63216741, 63216747, 63216748, 63216763, 63216802, 63216808, 63216814, 63216815, 63216825, 63216826, 63216827, 63216833, 63216873, 63216874, 63216876, 63216898, 63217104, 63217108, 63217118, 63217120, 63217121, 63217125, 63217126, 63217138, 63217147, 63217401

Dim:

14.11mm ID x 20.07mm OD x 11.8mm L
.5557" ID x .7900" OD x .465" L



62-93700

Bushing - C.S.

For: Marelli 12V/3.5kW, 24V/4.0kW DD Starters

Used On: Fiatallis, John Deere, Oliver, White

(cont'd.)

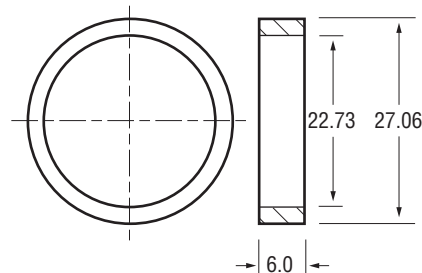
(cont'd.)

Unit Nos: Marelli 63216727, 63216733, 63216738, 63216740, 63216741, 63216747, 63216748, 63216763, 63216802, 63216808, 63216814, 63216815, 63216825, 63216826, 63216827, 63216833, 63216873, 63216874, 63216876, 63216898, 63217104, 63217108, 63217118, 63217120, 63217125, 63217126, 63217138, 63217147, 63217401

Dim:

20.24mm ID x 24.05mm OD x 14.6mm L
.7970" ID x .9470" OD x .575" L

MITSUBA



62-85900

Bushing - Starter Drive

For: Mitsuba OSGR, PMOSGR Starters

Used On: (1995-88) Honda

Unit Nos: Mitsuba SM302-22, SM302-25, SM302-44, SM302-45, SM302-46, SM302-48, SM402-03, SM402-04, SM402-05, SM402-10N, SM402-11N, SM402-13N, SM402-15, SM402-16N

Lester Nos: 16902, 16960, 16975, 17160, 17201, 17205, 17474, 17491, 17527

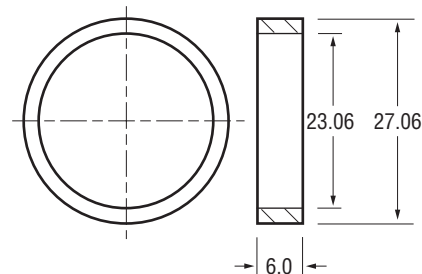
WAI Ref. Nos: 2-1012-MT, 2-1018-MT, 2-1019-MT, 2-1020-MT, 2-1021-MT, 2-1022-MT, 2-1521-MT, 2-1523-MT, 2-1528-MT

Dim:

22.73mm ID x 27.06mm OD x 6.0mm L
.8950" ID x 1.0660" OD x .235" L

Note: Used in late style 54-8500 starter drive w/ pressed-in roller retainer plate.

Included in 79-85100 kit.



62-85901

Bushing - Starter Drive

For: Mitsuba OSGR Starters

Used On: (1991-84) Acura, Honda

Unit Nos: Mitsuba SM302-02, SM302-04, SM302-07, SM302-08, SM302-16, SM302-18, SM302-24, SM302-28

Lester Nos: 16845, 16901, 16902, 16914, 17052, 17156

WAI Ref. Nos: 2-1000-MT, 2-1011-MT, 2-1012-MT, 2-1014-MT, 2-1017-MT

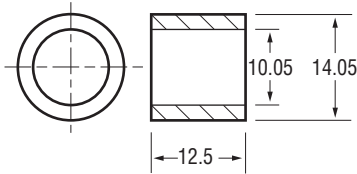
Dim:

23.06mm ID x 27.06mm OD x 6.0mm L
.9080" ID x 1.0660" OD x .235" L

Note: Used in early style 54-8500 starter drive w/ removable roller retainer plate

STARTER - BUSHINGS (62-)

MITSUBISHI



62-83300

Bushing - D.E., Planetary Shaft

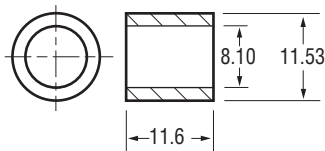
For: Mando DD; Mitsubishi DD, PLGR, PMDD, PMGR Starters

Used On: (2005-84) Acura, AMC, Chevrolet, Chrysler, Dodge, Eagle, Ford, Geo, Hyundai, Infiniti, Jeep, Kia, Mazda, Mercury, Mitsubishi, Nissan, Plymouth, Subaru, Suzuki; Kubota, Nissan Lift Truck, Onan, Woods Equipment, Yale Lift Truck

Lester Nos: 16514, 579, 711, 729, 774, 775, 793, 794, 874, 888, 889, 900, 922, 930, 931, 932, 933, 938, 939, 940, 941, 966, 971, 998; 17006, 010, 046, 131, 132, 133, 142, 146, 147, 151, 161, 166, 167, 175, 176, 181, 185, 192, 194, 206, 212, 214, 217, 221, 246, 266, 270, 275, 288, 425, 432, 448, 451, 461, 467, 469, 470, 478, 479, 480, 505, 507, 514, 539, 541, 557, 559, 564, 566, 592, 599, 662, 684, 685, 686, 688, 689, 704, 708, 709, 717, 718, 722, 723, 726, 732, 733, 734, 740, 765, 766, 772, 773, 775, 795, 796

Dim:

10.05mm ID x 14.05mm OD x 12.5mm L
.3955" ID x .5530" OD x .492" L



62-83301

Bushing - Planetary Gear

For: Mando PMGR; Mitsubishi PLGR, PMGR Starters

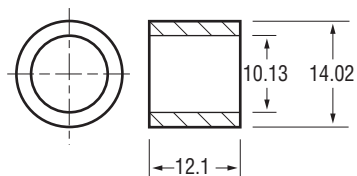
Used On: (2005-85) Acura, AMC, Chevrolet, Chrysler, Dodge, Eagle, Ford, Geo, Hyundai, Infiniti, Jeep, Mazda, Mercury, Mitsubishi, Nissan, Plymouth, Subaru, Suzuki; Caterpillar, Clark

Lester Nos: 16874, 888, 889, 900, 930, 931, 932, 933, 939, 998; 17006, 046, 131, 132, 133, 142, 146, 151, 161, 166, 167, 175, 176, 180, 185, 192, 194, 206, 217, 221, 246, 266, 275, 425, 432, 448, 461, 467, 478, 479, 480, 505, 507, 559, 561, 564, 577, 578, 592, 599, 683, 685, 686, 688, 691, 708, 709, 717, 718, 719, 722, 723, 726, 740, 767

Dim:

8.10mm ID x 11.53mm OD x 11.6mm L
.3190" ID x .4540" OD x .455" L

Note: For bushing w/ 10.92mm OD use 62-83304



62-83302

Bushing - Planetary Shaft

For: Mando PMGR; Mitsubishi PLGR, PMGR Starters

Used On: (2002-85) AMC, Chevrolet, Chrysler, Dodge, Eagle, Ford, Geo, Hyundai, Infiniti, Jeep, Mazda, Mitsubishi, Nissan, Plymouth, Subaru, Suzuki; Caterpillar, Clark

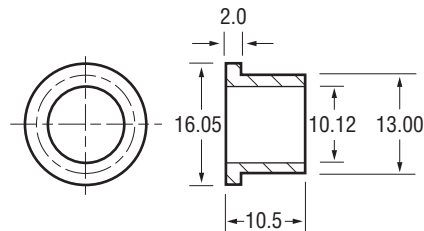
(cont'd.)

(cont'd.)

Lester Nos: 16874, 888, 889, 900, 930, 931, 932, 933, 939, 998; 17006, 046, 131, 132, 133, 142, 146, 151, 161, 166, 167, 175, 176, 180, 185, 192, 194, 206, 214, 217, 221, 246, 266, 425, 448, 451, 461, 469, 470, 478, 505, 507, 514, 539, 541, 557, 559, 561, 564, 566, 577, 578, 599, 686, 689, 719, 739

Dim:

10.13mm ID x 14.02mm OD x 12.1mm L
.3990" ID x .5520" OD x .475" L



62-83303

Bushing - C.E.

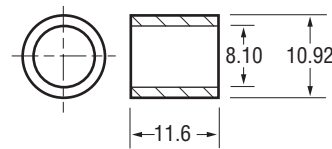
For: Mando, Mitsubishi PMGR Starters

Used On: (2005-85) Chevrolet, Chrysler, Dodge, Eagle, Ford, Geo, Hyundai, Infiniti, Jeep, Mazda, Mercury, Mitsubishi, Nissan, Plymouth, Subaru, Suzuki; Caterpillar, Clark

Lester Nos: 16874, 889, 900, 939, 998; 17006, 046, 131, 132, 133, 142, 146, 151, 161, 166, 167, 175, 176, 180, 192, 194, 206, 214, 217, 221, 246, 266, 425, 451, 461, 467, 469, 470, 478, 479, 480, 505, 507, 539, 541, 557, 559, 561, 564, 566, 592, 599, 683, 686, 688, 689, 691, 708, 709, 719, 726, 734, 740, 765, 766, 767, 772, 773, 775, 795, 796

Dim:

10.12mm ID x 13.00mm OD x 10.5mm L
.3985" ID x .5120" OD x .414" L



62-83304

Bushing - Planetary Gear

For: Mitsubishi PMGR Starters

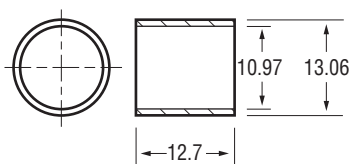
Used On: (2005-85) Dodge, Eagle, Ford, Geo, Infiniti, Jeep, Mazda, Mitsubishi, Nissan, Plymouth, Subaru, Suzuki

Lester Nos: 16888, 16930, 16932, 16939, 16998, 17006, 17131, 17132, 17133, 17151, 17161, 17166, 17167, 17175, 17180, 17185, 17192, 17194, 17206, 17217, 17221, 17451, 17467, 17469, 17470, 17514, 17539, 17541, 17557, 17566, 17689, 17734, 17766, 17772, 17773, 17775, 17795, 17796

Dim:

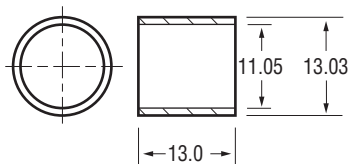
8.10mm ID x 10.92mm OD x 11.6mm L
.3190" ID x .4300" OD x .455" L

Note: For bushing w/ 11.53mm OD use 62-83301



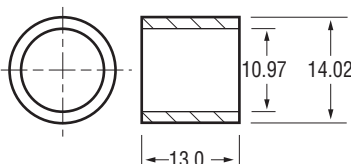
62-83400
Bushing - D.E.

For: Mitsubishi DD Starters
Used On: Onan
Unit Nos: Mitsubishi MEA10-7
Lester Nos: 17332
WAI Ref. Nos: 2-1738-MI
Dim:
 10.97mm ID x 13.06mm OD x 12.7mm L
 .4320" ID x .5140" OD x .499" L



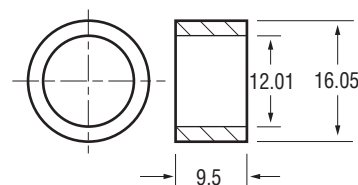
62-83402
Bushing - D.E.

For: Mitsubishi DD Starters
Used On: (1986-70) Dodge, Mazda, Mitsubishi, Nissan, Plymouth; Yale
Lester Nos: 16203, 16209, 16210, 16211, 16268, 16497, 16500, 16513, 16514, 16519, 16520, 16522, 16524, 16527, 16579, 16581, 16582, 16588, 16671, 16711, 16729, 16793, 16795, 16805, 16858
Dim:
 11.05mm ID x 13.03mm OD x 13.0mm L
 .4350" ID x .5130" OD x .510" L



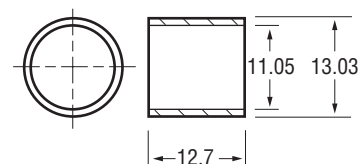
62-83403
Bushing - D.E., C.S.

For: Mitsubishi DD, OSGR Starters
Used On: (1992-78) Dodge, Infiniti, Mazda, Mitsubishi, Nissan, Plymouth; Mitsubishi Lift Truck, Nissan Lift Truck, Yale
Lester Nos: 16203, 16514, 16527, 16579, 16708, 16728, 16729, 16732, 16741, 16742, 16775, 16792, 16793, 16794, 16795, 16796, 16816, 16856, 16858, 16859, 16938, 17069, 17426
Dim:
 10.97mm ID x 14.02mm OD x 13.0mm L
 .4320" ID x .5520" OD x .510" L



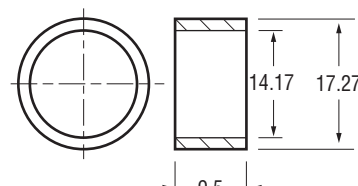
62-83404
Bushing - C.E.

For: Mando DD, PMGR; Mitsubishi DD, PMGR Starters
Used On: (2002-83) Chevrolet, Dodge, Eagle, Ford, Geo, Hyundai, Kia, Mazda, Mercury, Mitsubishi, Nissan, Plymouth, Subaru, Suzuki; Kubota, Lincoln Electric, Nissan Lift Truck, Onan, Woods
Lester Nos: 16514, 16579, 16711, 16729, 16774, 16775, 16793, 16794, 16858, 16922, 16938, 16940, 16941, 16966, 16971, 17010, 17057, 17147, 17181, 17212, 17248, 17270, 17288, 17580, 17662, 17684, 17704, 17732, 17733
Dim:
 12.01mm ID x 16.05mm OD x 9.5mm L
 .4730" ID x .6320" OD x .373" L



62-83405
Bushing - C.S.

For: Mitsubishi OSGR Starters
Used On: (1994-81) Audi, Buick, Dodge, Mazda, Mitsubishi, Nissan, Oldsmobile, Plymouth; Clark, Nissan Lift Truck
Lester Nos: 16584, 16717, 16720, 16733, 16780, 16803, 16816, 16855, 16866, 16868, 16875, 16935, 16982, 17110, 17172, 17173, 17178
WAI Ref. Nos: 2-1082-MI, 2-1104-MI, 2-1105-MI, 2-1108-MI, 2-1119-MI, 2-1137-MI, 2-1153-MI, 2-1154-MI, 2-1167-MI, 2-1172-MI, 2-1363-MI, 2-1408-MI, 2-1438-MI, 2-1453-MI, 2-1454-MI, 2-1550-MI, 2-1612-MI, 2-1733-MI
Dim:
 11.05mm ID x 13.03mm OD x 12.7mm L
 .4350" ID x .5130" OD x .500" L

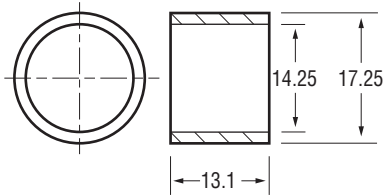


62-83500
Bushing - C.E.

For: Mitsubishi DD Starters
Used On: (1992-70) Dodge, Infiniti, Mazda, Mitsubishi, Nissan, Plymouth, VW; Mitsubishi Lift Truck, Nissan Lift Truck, Onan, Yale
Lester Nos: 16203, 16209, 16210, 16211, 16268, 16497, 16500, 16514, 16519, 16520, 16522, 16524, 16527, 16547, 16579, 16581, 16582, 16588, 16671, 16708, 16711, 16728, 16729, 16732, 16741, 16742, 16774, 16775, 16792, 16793, 16794, 16795, 16796, 16805, 16816, 16856, 16858, 16859, 16938, 17069, 17332, 17426
Dim:
 14.17mm ID x 17.27mm OD x 9.5mm L
 .5580" ID x .6800" OD x .373" L

STARTER - BUSHINGS (62-)

MITSUBISHI (cont'd.)



62-83501

Bushing - C.E.

For: Mitsubishi DD, OSGR Starters

Used On: (1982-71) Dodge, Mazda, Nissan;

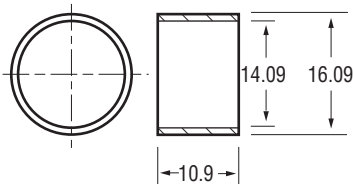
Nissan Lift Truck, Yale

Lester Nos: 16203, 16209, 16210, 16211, 16268, 16495, 16496, 16513, 16522, 16524, 16579, 16711, 16794

WAI Ref. Nos: 2-1076-MI, 2-1079-MI, 2-1081-MI, 2-1083-MI, 2-1087-MI, 2-1132-MI, 2-1225-MI, 2-1228-MI, 2-1418-MI, 2-1431-MI, 2-1740-MI, 2-1741-MI

Dim:

14.25mm ID x 17.25mm OD x 13.1mm L
.5610" ID x .6790" OD x .515" L



62-83502

Bushing - C.S.

For: Mitsubishi OSGR Starters

Used On: (1984-82) Dodge, Ford, Mazda, Mitsubishi (Diesel);

Gehl, Onan, Yale

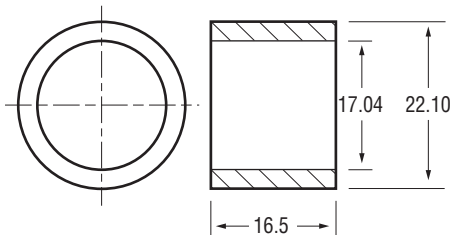
Unit Nos: Mitsubishi M2T54271, M2T54371, M2T54372, M2T54572, M2T56071, M2T56181, M2T66371, M3T56076, M3T56181, M3T56182, M3T56183, M3T57371, M3T57575, M3T66072, M3T66073, M3T66074, M3T66572, M3T67171, M3T67172

Lester Nos: 16744, 16799 (Early), 16853, 17008

WAI Ref. Nos: 2-1138-MI, 2-1169-MI, 2-1249-MI, 2-1551-MI, 2-1732-MI, 2-2024-MI, 2-2087-MI, 2-2092-MI

Dim:

14.09mm ID x 16.09mm OD x 10.9mm L
.5546" ID x .6335" OD x .428" L



62-83600

Bushing - D.E.

For: Mitsubishi OSGR Starters

Used On: (1994-85) Ford 6.9L, 7.3L (Diesel)

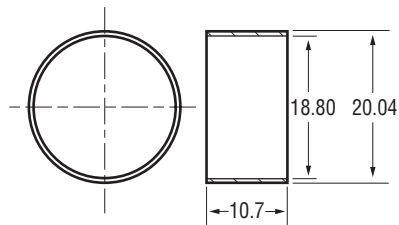
Unit Nos: Mitsubishi M3T90071, M3T90072

Lester Nos: 17037

WAI Ref. Nos: 2-1254-MI

Dim:

17.04mm ID x 22.10mm OD x 16.5mm L
.6710" ID x .8700" OD x .650" L



62-83700-8

Bushing - D.E. Bearing Split Type

For: Mitsubishi OSGR Starters

Used On: (1991-83) Buick, Cadillac, Chevrolet, Dodge, Ford, GMC, Mitsubishi, Oldsmobile, Pontiac; Case, Toro

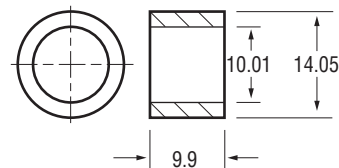
Unit Nos: Delco 1998518, 1998545, 10455706, 22511854, 22515863, 22522853, 22523207; Mitsubishi M1T50371, M1T50671, M2T56071, M2T56181, M2T56471, M2T60071, M2T60371, M2T66371, M3T66074, M4T66074, M4T66173, **Lester Nos:** 16799, 16853, 16868, 16869, 16870, 16871, 17008, 17036

WAI Ref. Nos: 2-1169-MI, 2-1249-MI, 2-1406-MI, 2-1407-MI, 2-1408-MI, 2-1451-MI, 2-1551-MI, 2-1732-MI, 2-1963-MI

Dim:

18.80mm ID x 20.04mm OD x 10.7mm L
.7401" ID x .7890" OD x .420" L

Note: Used in 10-9041-4 ball bearing



62-91300

Bushing - D.E., C.E.

For: Bosch 107, 108, 110 Series PMGR (C.E.); Mitsubishi DD (D.E.) Starters

Used On: (2005-82) Alfa Romeo, Audi, BMW, Cadillac, Chrysler, Dodge, Eagle, Jaguar, Jeep, Land Rover, Mercedes, Merkur, Mitsubishi, Plymouth, Pontiac, Porsche, Renault, Saab, VW, Volvo, Winnebago; Lincoln Electric, Onan

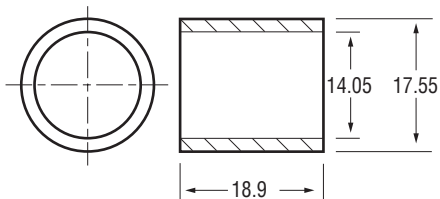
Replaces: Bosch 1-000-301-056

Lester Nos: 16956, 962, 963, 976, 980; 17011, 013, 023, 030, 047, 068, 082, 124, 135, 139, 140, 148, 149, 158, 163, 164, 210, 218, 222, 223, 225, 226, 231, 233, 236, 237, 276, 279, 280, 281, 282, 406, 407, 408, 415, 416, 417, 497, 508, 560, 563, 572, 576, 663, 670, 690, 698, 702, 705, 720, 724, 725, 730, 736, 750, 751, 753, 755, 756, 757, 758, 759, 778, 780, 781, 782, 792

Dim:

10.01mm ID x 14.05mm OD x 9.9mm L
.3940" ID x .5530" OD x .388" L

NIKKO



62-84501

Bushing - C.E.

For: Nikko 5.5kW, 7.4kW, 7.5kW OSGR Starters

Used On: Isuzu, Komatsu, Nissan

Unit Nos: Nikko 0-23000-6091, 0-23000-6210, 0-23000-6250, 0-23000-6310, 0-23000-6340, 0-23000-6510, 0-23000-6520, 0-23000-6530, 0-23000-6610, 0-23000-6660, 0-23000-6710

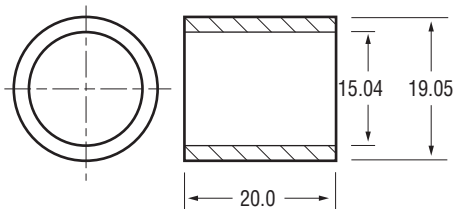
WAI Ref. Nos: 2-2018-NK

Dim:

14.05mm ID x 17.55mm OD x 18.9mm L

.5530" ID x .6910" OD x .746" L

Note: Sintered steel material



62-84505

Bushing - D.E.

For: Nikko 1.8kW, 3.5kW OSGR Starters

Used On: Deutz, Isuzu Lift Truck, Kobelco America

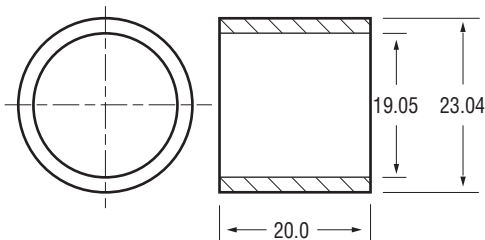
Unit Nos: Nikko 0-23000-1030, 0-23000-1031, 0-23000-1050, 0-23000-1070, 0-23000-1071, 0-23000-1160, 0-23000-1190, 0-23000-1231, 0-23000-1270, 0-23000-1290, 0-23000-1330, 0-23000-1420, 0-23000-1520, 0-23000-1530, 0-23000-1620, 0-23000-1640, 0-23000-1750, 0-23000-1752, 0-23000-3130

WAI Ref. Nos: 2-1951-NK

Dim:

15.04mm ID x 19.05mm OD x 20.0mm L

.5920" ID x .7500" OD x .788" L



62-84700

Bushing - D.E., C.E.

For: Nikko 2.5kW, 3.5kW, 3.7kW, 5.5kW, 7.4kW, 7.5kW DD Starters

Used On: Isuzu, Komatsu, Teledyne Continental

Unit Nos: Nikko 0-21000-3390, 0-21000-3391, 0-21000-3411, 0-21000-3650, 0-21000-3651, 0-21000-3783, 0-21000-4132, 0-21000-4192, 0-21000-4690, 0-21000-4740, 0-21000-4850, 0-21000-4870, 0-21000-4880, 0-21000-5080, 0-21000-5150

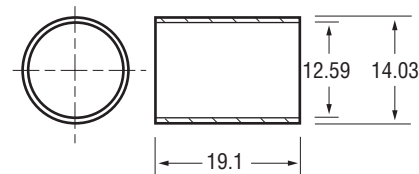
Dim:

19.05mm ID x 23.04mm OD x 20.0mm L

.7500" ID x .9070" OD x .787" L

Note: Sintered steel material

NIPPONDENSO



62-81409

Bushing - Starter Drive

For: Hitachi DD, OSGR, PMDD; Nippondenso DD Starters

Used On: (1994-70) Nissan, Subaru, Toyota; Bobcat, Kubota

Unit Nos: Hitachi S114-617A, S114-630, S114-161B, S114-161E, S114-161F, S114-182G, S114-295, S114-315, S114-316; S114-317, A; S114-318, A; S114-345, A; S114-377, S114-378, S114-382; S114-419, A; S114-424, S114-556, S114-608A; Nippondenso 028000-224, -293, -350, -380, -404, -452, -460, -463, -465, -469

Lester Nos: 16194, 16215, 16258, 16260, 16261, 16579, 16732, 16773, 16775, 16918, 16991, 16993, 17057, 17147

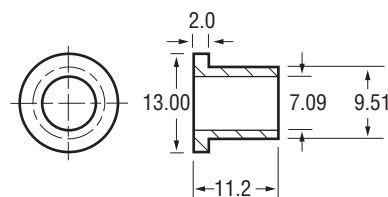
WAI Ref. Nos: 2-1027-ND, 2-1077-HI, 2-1081-HI, 2-1085-HI, 2-1092-HI, 2-1093-HI, 2-1096-HI, 2-1097-HI, 2-1098-HI, 2-1112-HI, 2-1118-HI, 2-1211-HI, 2-1421-ND, 2-1422-ND

Dim:

12.59mm ID x 14.03mm OD x 19.1mm L

.4955" ID x .5522" OD x .750" L

Note: Used in 54-8103, 54-8109, 54-8208 starter drives



62-82200

Bushing - C.E.

For: Nippondenso PLGR Starters

Used On: (2005-89) Chevrolet, Geo, Honda, Isuzu, Suzuki, Toyota; Link-Belt Construction

Unit Nos: Nippondenso 128000-568, 128000-621, 128000-642, 128000-740, 128000-853, 128000-889, 128000-920, 128000-9201, 228000-347, 228000-402, 228000-403, 228000-540, 228000-646, 228000-673, 228000-675, 228000-676

Lester Nos: 17142, 17203, 17252, 17253, 17679, 17680, 17703

WAI Ref. Nos: 2-1189-ND, 2-1201-ND, 2-1543-ND, 2-1544-ND, 2-1693-ND, 2-1839-ND, 2-1840-ND, 2-1841-ND, 2-1958-ND, 2-1959-ND

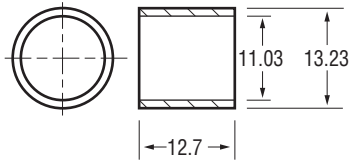
Dim:

7.09mm ID x 9.51mm OD x 11.2mm L

.2792" ID x .3745" OD x .440" L

STARTER - BUSHINGS (62-)

NIPPONDENSO (cont'd.)



62-82400

Bushing - D.E.

For: Nippondenso DD Starters

Used On: (1986-78) Chrysler, Dodge, Plymouth

Unit Nos: Nippondenso 028000-509, 028000-717, 128000-238

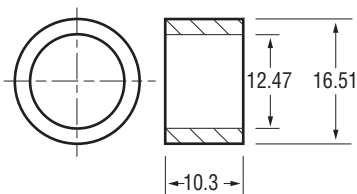
Lester Nos: 16417, 16677, 16974, 17015

WAI Ref. Nos: 2-1380-ND, 2-1384-ND, 2-1396-ND

Dim:

11.03mm ID x 13.23mm OD x 12.7mm L

.4341" ID x .5210" OD x .500" L



62-82401

Bushing - C.E.

For: Bosch PMDD; Nippondenso DD Starters

Used On: (1993-70) Audi, Chrysler, Dodge, Ford, Plymouth,

Subaru, Toyota, VW; Ford Tractor, Kubota

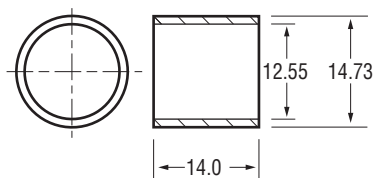
Replaces: Bosch 1-000-301-062

Lester Nos: 16215, 16217, 16218, 16220, 16222, 16224, 16230, 16238, 16245, 16254, 16258, 16260, 16261, 16264, 16272, 16417, 16418, 16468, 16626, 16677, 16704, 16712, 16788, 16804, 16974, 17015, 17062, 17134, 17165, 17224

Dim:

12.47mm ID x 16.51mm OD x 10.3mm L

.4910" ID x .6500" OD x .407" L



62-82402

Bushing - D.E.

For: Nippondenso DD Starters

Used On: (2001-70) Chevrolet, Daihatsu, Ford, Geo, Isuzu,

Mazda, Subaru, Suzuki, Toyota; Carrier Trailer Refrigeration,

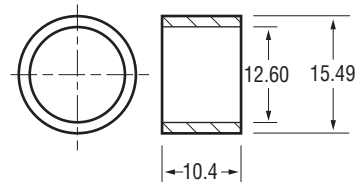
Ford Tractor, Ishikawajima, John Deere, Kubota

Lester Nos: 16215, 16217, 16218, 16220, 16222, 16224, 16230, 16238, 16245, 16254, 16258, 16260, 16261, 16264, 16272, 16468, 16626, 16704, 16707, 16712, 16766, 16788, 16804, 16832, 16838, 16880, 16883, 16922, 16971, 17000, 17058, 17152, 17354

Dim:

12.55mm ID x 14.73mm OD x 14.0mm L

.4940" ID x .5800" OD x .551" L



62-82403

Bushing - C.E.

For: Nippondenso DD Starters

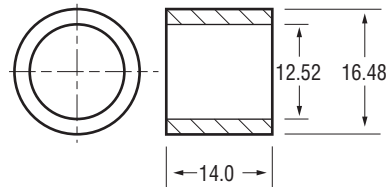
Used On: (2001-80) Chevrolet, Daihatsu, Ford, Geo, Honda, Isuzu, Mazda, Subaru, Suzuki, Toyota; Carrier Trailer Refrigeration, Ishikawajima, John Deere, Kubota

Lester Nos: 16215, 16218, 16222, 16245, 16468, 16707, 16734, 16735, 16766, 16804, 16832, 16838, 16843, 16880, 16883, 16910, 16911, 16912, 16922, 16971, 17000, 17058, 17152, 17354

Dim:

12.60mm ID x 15.49mm OD x 10.4mm L

.4960" ID x .6100" OD x .410" L



62-82404

Bushing - D.E.

For: Nippondenso DD Starters

Used On: (1991-80) Honda; Kubota

Replaces: Honda 31209-590-004;

Nippondenso 949103-0540, 949103-2020; Ref# 5211

Unit Nos: Nippondenso 028000-097, 028000-543, 028000-660, 028000-672, 028000-721, 028000-801, 028000-816, 028000-869, 028000-870, 028000-993, 128000-029, 128000-067, 128000-523

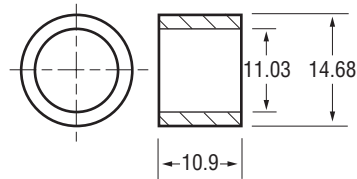
Lester Nos: 16499, 16734, 16735, 16843, 16910, 16911, 16912, 17334

WAI Ref. Nos: 2-1009-ND, 2-1013-ND, 2-1434-ND, 2-1436-ND

Dim:

12.52mm ID x 16.48mm OD x 14.0mm L

.4929" ID x .6490" OD x .553" L



62-82405

Bushing - D.E.

For: Nippondenso DD Starters

Used On: (1989-85) Isuzu; Kawasaki, Kohler

Unit Nos: Nippondenso 128000-128, 128000-130, 128000-402, 128000-427, 128000-429, 128000-470, 128000-480, 128000-715, 128000-716, 128000-748, 128000-774, 128000-936, 228000-264

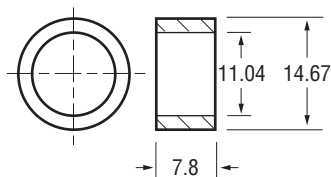
Lester Nos: 16879, 16880, 17187

WAI Ref. Nos: 2-1194-ND, 2-1433-ND, 2-2022-ND

Dim:

11.03mm ID x 14.68mm OD x 10.9mm L

.4343" ID x .5780" OD x .430" L



62-82406
Bushing - C.E.

For: Nippondenso DD Starters

Used On: (1989-86) Isuzu; Kawasaki, Kohler

Unit Nos: Nippondenso 128000-289, 128000-402, 128000-427, 128000-429, 128000-452, 128000-470, 128000-480, 128000-715, 128000-716, 128000-748, 128000-774, 128000-854, 128000-936, 228000-221, 228000-264

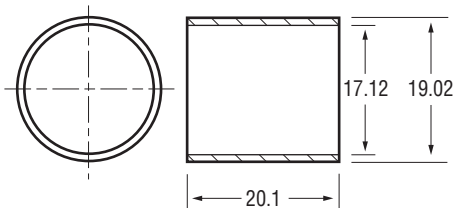
Lester Nos: 16879, 17187

WAI Ref. Nos: 2-1433-ND, 2-2022-ND, 2-2035-ND

Dim:

11.04mm ID x 14.67mm OD x 7.8mm L

.4346" ID x .5777" OD x .309" L



62-82600
Bushing - D.E., C.E.

For: Nippondenso DD Starters

Used On: Allis-Chalmers, Case, Caterpillar, Hino, Isuzu, John Deere, Onan

Unit Nos: Nippondenso 028000-279, 028000-284, 028000-329, 028000-365, 028000-381, 028000-393, 028000-397, 028000-487, 028000-493, 028000-504, 028000-525, 028000-546, 028000-592, 028000-596, 028000-692, 028000-743, 128000-026, 128000-043, 128000-048, 128000-077, 128000-134, 128000-200, 128000-343, 128000-344, 128000-345, 128000-369, 128000-434, 128000-450

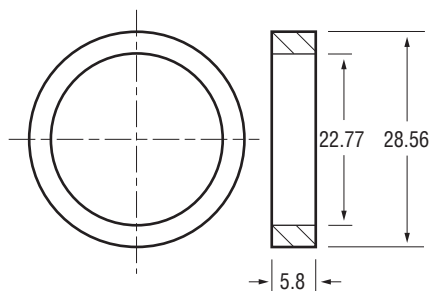
Lester Nos: 16641, 16643, 16655, 17371

WAI Ref. Nos: 2-1962-ND, 2-2028-ND, 2-2044-ND, 2-2045-ND

Dim:

17.12mm ID x 19.02mm OD x 20.1mm L

.6740" ID x .7490" OD x .790" L



62-82800
Bushing - Starter Drive

For: Nippondenso OSGR Starters

(cont'd.)

(cont'd.)

Used On: (1998-72) Acura, Cadillac, Chevrolet, Chrysler, Daihatsu, Dodge, Geo, GMC, Honda, Isuzu, Plymouth, Sterling, Subaru, Toyota; Caterpillar, Ford New Holland, Harley-Davidson, Ishikawajima, Kubota, Komatsu, Mitsui-Deutz, Teledyne Continental, Thermo King, Toyota Lift Truck

Lester Nos: 16236, 248, 249, 251, 585, 586, 600, 612, 674, 676, 696, 730, 736, 737, 739, 746, 758, 759, 760, 761, 763, 786, 790, 800, 802, 821, 823, 825, 826, 827, 828, 829, 833, 834, 835, 837, 839, 849, 878, 884, 891, 892, 895, 905, 906, 913, 960, 979; 17002, 003, 007, 020, 050, 083, 084, 091, 100, 125, 129, 143, 155, 169, 171, 251, 254, 255, 256, 264, 265, 297, 298, 420, 421, 422, 457, 483, 487, 494, 495, 520, 521, 523, 525, 666, 681, 682

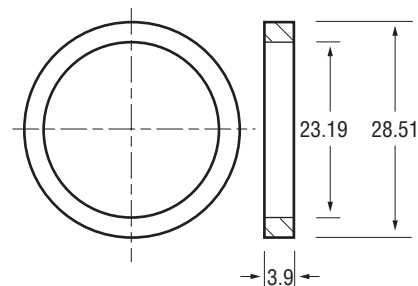
Dim:

22.77mm ID x 28.56mm OD x 5.8mm L

.8965" ID x 1.1250" OD x .230" L

Note: Used in 54-82402 clutch assy.

Used in 54-8202-9, 54-8209-9, 54-8210-9 starter drives.



62-82801
Bushing - Starter Drive

For: Nippondenso OSGR Starters

Used On: (2005-90) Acura, Chevrolet, Chrysler, Dodge, Eagle, Geo, Honda, Isuzu, Lexus, Plymouth, Subaru, Toyota; Harley-Davidson

Lester Nos: 16831, 878, 888; 17020, 170, 197, 202, 204, 216, 240, 242, 256, 259, 263, 273, 285, 400, 423, 424, 460, 464, 465, 466, 481, 485, 493, 516, 517, 519, 524, 526, 529, 530, 531, 532, 533, 534, 535, 536, 537, 546, 549, 562, 570, 571, 573, 574, 579, 581, 584, 668, 672, 687, 700, 706, 707, 711, 715, 716, 727, 735, 737, 747, 774, 777

Dim:

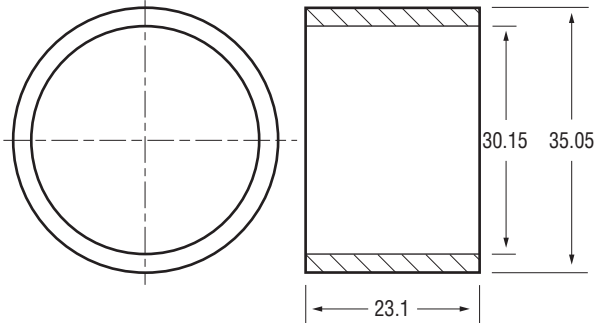
23.19mm ID x 28.51mm OD x 3.9mm L

.9130" ID x 1.1230" OD x .153" L

Note: Used in 54-82401, 54-82406, 54-82407, 54-82408 clutch assys. Used in 54-8224, 54-8225, 54-8226, 54-8235 starter drives.

STARTER - BUSHINGS (62-)

NIPPONDENSO (cont'd.)



62-82900
Bushing - L.H.

For: Nippondenso DD Starters

Used On: Allis-Chalmers, Case, Caterpillar, Cummins, Hino, John Deere, Onan

Unit Nos: Nippondenso 028000-329, 028000-365, 028000-381, 028000-397, 028000-493, 028000-504, 028000-525, 028000-546, 028000-596, 028000-692, 028000-743, 128000-026, 128000-043, 128000-048, 128000-077, 128000-134, 128000-200, 128000-343, 128000-344, 128000-345, 128000-369, 128000-434, 128000-450

Lester Nos: 16641, 16655, 17371,

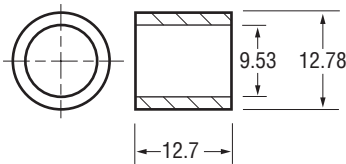
WAI Ref. Nos: 2-1962-ND, 2-2044-ND, 2-2045-ND

Dim:

30.15mm ID x 35.05mm OD x 23.1mm L

1.1870" ID x 1.3800" OD x .908" L

PRESTOLITE



62-6300
Bushing - C.E.

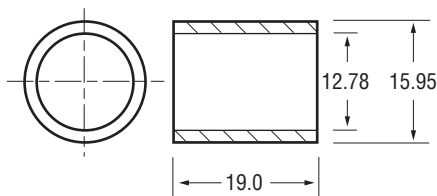
For: Prestolite MGD, MGL, MKQ, MKW Series Marine DD Starters

Replaces: Prestolite 24-45, MDH-41

Dim:

9.53mm ID x 12.78mm OD x 12.7mm L

.3750" ID x .5030" OD x .500" L



62-6500
Bushing - D.E.

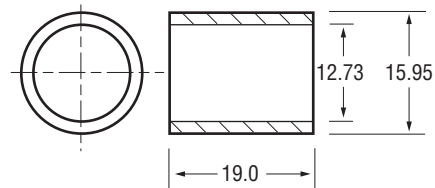
For: Prestolite MAW, MAY, MDT, MZ Series DD Starters

Replaces: Prestolite 24-28, MP-41A

Dim:

12.78mm ID x 15.95mm OD x 19.0mm L

.5030" ID x .6280" OD x .750" L



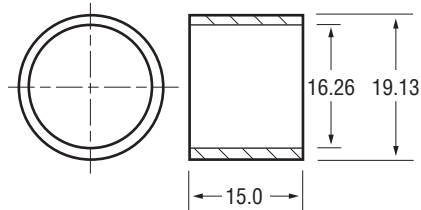
62-6500-1
Bushing - D.E.
.0025" (1X) Undersize

Same as 62-6500 except...

Dim:

12.73mm ID x 15.95mm OD x 19.0mm L

.5010" ID x .6280" OD x .750" L



62-6600
Bushing - C.E.

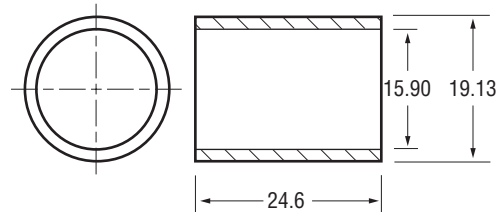
For: Prestolite MAW, MAX, MZ Series DD Starters

Replaces: Ford B-11052; Prestolite 24-29, MZ-40AS

Dim:

16.26mm ID x 19.13mm OD x 15.0mm L

.6400" ID x .7530" OD x .590" L



62-6601
Bushing - C.E.

For: Prestolite MCK, MES, MEU, MEX, MFY Series Starters;

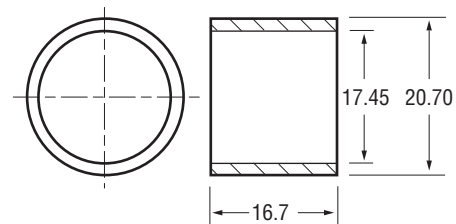
Prestolite GBM, GDB, GDZ, GEF Series Generators

Replaces: Prestolite 24-3, GBF-79

Dim:

15.90mm ID x 19.13mm OD x 24.6mm L

.6260" ID x .7530" OD x .970" L



62-6603
Bushing - D.E.

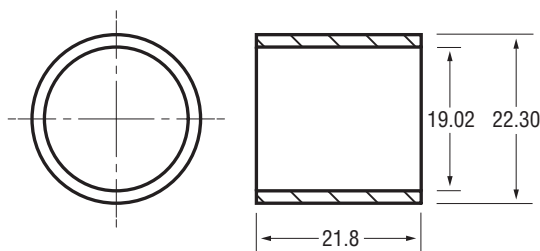
For: Prestolite MGD, MGL, MKW Series Marine DD Starters

Replaces: Prestolite 24-73, MDH-30

Dim:

17.45mm ID x 20.70mm OD x 16.7mm L

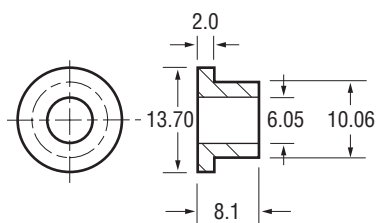
.6870" ID x .8150" OD x .658" L



62-6700
Bushing - D.E.

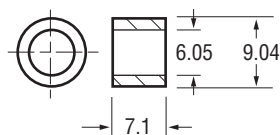
For: Prestolite MBJ Series Winch Motors
Replaces: Prestolite 24-20, ML-18A; Ref# 4337
Dim:
 19.02mm ID x 22.30mm OD x 21.8mm L
 .749" ID x .878" OD x .860" L

VALEO



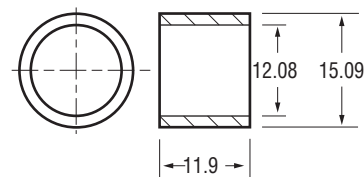
62-94200
Bushing - C.E. (Fld. Case)

For: Valeo PMGR Starters
Used On: (1999-95) Saturn
Unit Nos: Delco 21023232, 21023719;
 Valeo D6RA65, D6RA85, D6RA165, D6RA185
Lester Nos: 17667
WAI Ref. Nos: 2-1713-VA
Dim:
 6.05mm ID x 10.06mm OD x 8.1mm L
 .2380" ID x .3960" OD x .320" L



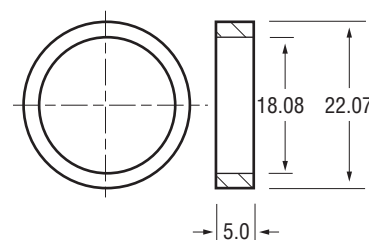
62-94201
Bushing - Planetary Shaft

For: Valeo PMGR Starters
Used On: (1999-95) Saturn
Unit Nos: Delco 21023232, 21023719;
 Valeo D6RA65, D6RA165
Lester Nos: 17667
WAI Ref. Nos: 2-1713-VA
Dim:
 6.05mm ID x 9.04mm OD x 7.1mm L
 .2380" ID x .3560" OD x .281" L



62-94400
Bushing - D.E., C.E.










For: Ducellier / Valeo, Paris Rhone / Valeo DD Starters
Used On: (1991-70) Eagle, Peugeot, Renault, Toro
Lester Nos: 16282, 16462, 16463, 16484, 16488, 16529,
 16533, 16715, 16716, 16745, 16749, 16750, 16751, 16756,
 16797, 17019, 17034, 17035, 17144, 17157
WAI Ref. Nos: 2-1293-DU, 2-1293-PR, 2-1294-DU,
 2-1295-DU, 2-1298-PR, 2-1299-PR, 2-1300-PR, 2-1302-DU,
 2-1305-DU, 2-1305-PR, 2-1308-DU, 2-1308-PR, 2-1309-PR,
 2-1310-PR, 2-1313-PR, 2-1462-PR, 2-1466-DU
Dim:
 12.08mm ID x 15.09mm OD x 11.9mm L
 .4755" ID x .5940" OD x .470" L



62-94702
Bushing - Stationary Gear

For: Valeo PMGR Starters
Used On: (1999-95) Saturn
Unit Nos: Delco 21023232, 21023719;
 Valeo D6RA65, D6RA85, D6RA165, D6RA185
Lester Nos: 17667
WAI Ref. Nos: 2-1713-VA
Dim:
 18.08mm ID x 22.07mm OD x 5.0mm L
 .7120" ID x .8690" OD x .198" L

STARTER - BUSHINGS (62-)

CONVERSION BUSHINGS FOR DELCO 5MT, SD200, SD205, SD210, SD250, SD255, SD260 SERIES		
With this Armature...	And this D.E. Housing...	Use this Conversion Bushing
 <p>Needle Bearing Type</p>	<p>+</p>  <p>+</p> <p>Needle Bearing Type</p>	 <p>62-1408</p>
 <p>Needle Bearing Type</p>	<p>+</p>  <p>+</p> <p>Bushing Type</p>	 <p>62-1407</p>
 <p>Bushing Type</p>	<p>+</p>  <p>+</p> <p>Needle Bearing Type</p>	 <p>62-1404</p>

STARTER - BUSHINGS

DELCO



57-117-1
Field Case

- For:** Delco 37MT Series DD Starters
Replaces: Delco 1985321, 1985619
Dim: 166mm L x 130mm OD
Note: Early type w/ field coil term. thru C.E. frame
Features:
- Double drilled to accept either version lever housing
 - Painted black



57-120-1
Field Case

- For:** Delco 42MT Series DD Starters
Replaces: Delco 1988445, 1988108
Dim: 189mm L x 130mm OD
Features:
- Double drilled to accept either version lever housing
 - Painted black



57-121-1
Field Case

- For:** Delco 50MT Series DD Starters
Dim: 264mm L x 142mm OD
Features:
- Painted black



57-126-1
Field Case

- For:** Delco 37MT, 41MT Series DD Starters
Replaces: Delco 10468210, 10469983
Dim: 166mm L x 130mm OD
Note: Late type w/ field coil term. thru field case
Features:
- Double drilled to accept either version lever housing
 - Painted black



57-129
Field Case

- For:** Delco 10MT, SD300 Series DD Starters



57-1201
Field Case Assy.

- For:** Delco 5MT, SD200 Series DD Starters
Replaces: Delco 1985143, 10499208
Dim: 119mm L x 98mm OD
Components:
- 59-103 Field Coil
 - 76-1303 Retainer



57-1205-1
Field Case Assy.
4.675 in. Case Length

- For:** Delco 5MT, SD200, SD250 Series DD Starters
Lester Nos: 6310, 6312, 6316, 6324, 6339, 6413, 6426
Dim: 119mm L x 98mm OD
Features:
- Zinc yellow dichromate field case



57-1214
Field Case Assy.

- For:** Delco PG260M Series PMGR Starters
Used On: (2002-94) Buick, Cadillac, Chevrolet, GMC, Isuzu, Oldsmobile, Pontiac, Saturn; Chevrolet Truck, GMC Truck, Mercury Marine
Replaces: Delco 10475597
Unit Nos: Delco 9000786, 9000798, 9000819, 9000820, 9000821, 9000822, 9000834, 9000835, 9000850, 9000851, 9000853, 9000860, 9000866, 9000867, 9000899
Lester Nos: 6449, 6470, 6482, 6487
Dim: 50mm L x 74mm OD
Note: Motor lead alignment tabs offset 45° from D.E. housing alignment tabs. Similar to 57-1215 except 57-1215 alignment tabs are offset 15°.

STARTER - FIELD CASES (57-)

DELCO (cont'd.)



57-1215
Field Case Assy.

For: Delco PG260M Series PMGR Starters

Used On: (2001-95) Buick, Cadillac, Chevrolet, Oldsmobile, Pontiac; Chevrolet Truck, GMC Truck

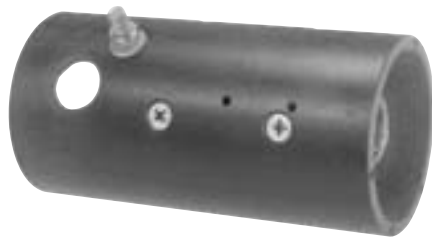
Unit Nos: Delco 9000804, 9000805, 9000806, 9000812, 9000827, 9000844, 9000861, 9000862, 9000863, 9000864, 9000865, 9000900

Lester Nos: 6452, 6471, 6472, 6480, 6486

Dim: 50mm L x 74mm OD

Note: Motor lead alignment tabs offset 15° from D.E. housing alignment tabs.

Similar to 57-1214 except 57-1214 alignment tabs are offset 45°.



57-1219
Field Case Assy.
12 Volt, CW Rotation

For: Delco 40MT Series DD Starters

Dim: 258mm L x 131mm OD

Components:

57-118-1 Field Case

58-107 Pole Shoes

59-133-3 Field Coil



57-1222
Field Case Assy.

For: Delco PG260F1 Series PMGR Starters

Used On: (2001-97) Buick, Chevrolet, GMC, Isuzu, Oldsmobile, Pontiac

Unit Nos: Delco 9000833, 9000847, 9000859

Lester Nos: 6481

WAI Ref. Nos: 2-1814-DR

Dim: 97mm L x 73mm OD

Note: Similar to field case assy. used in PG150 Series starters except the location of drain hole notch.



57-1223
Field Case Assy.

For: Delco PG260F2 Series PMGR Starters

Used On: (2001-97) Buick, Chevrolet, Oldsmobile, Pontiac

Unit Nos: Delco 9000836, 9000857, 24506694

Lester Nos: 6484

WAI Ref. Nos: 2-1922-DR

Dim: 86mm L x 75mm OD

Note: Motor lead alignment notch 90° from D.E. housing alignment notch.



57-1224
Field Case Assy.

For: Delco PG260F1 Series PMGR Starters

Used On: Mercury Marine

Unit Nos: Delco 9000837, 9000839, 9000840

WAI Ref. Nos: 2-1999-DR

Dim: 97mm L x 73mm OD



57-1217
Field Case Assy.
12 Volt, CW Rotation

For: Delco 42MT Series DD Starters

Dim: 189mm L x 130mm OD

Components:

57-120-1 Field Case

58-107 Pole Shoes

59-136-3 Field Coil



57-1226
Field Case Assy.
12 Volt, CW Rotation, High Torque

For: Delco 10MT, SD300 Series DD Starters
Lester Nos: 3510, 3533, 3629, 3631, 3686, 3689, 3696, 3733, 3838, 4038, 4174, 6303
Dim: 139mm L x 114mm OD
Components:
 59-112-3 Field Coils
Features:
 • Zinc yellow dichromate field case
 • Hi-torque field coils



57-1228
Field Case Assy.
24 Volt, CW Rotation

For: Delco 50MT Series DD Starters
Note: Used in 50-111 starter
Components:
 57-121-1 Field Case
 59-137-1 Field Coils



57-1229
Field Case Assy.

For: Delco PG260D Series PMGR Starters
Used On: (2005-01) Buick, Cadillac, Chevrolet, GMC, Isuzu, Oldsmobile, Pontiac, Saab, Saturn
Unit Nos: Delco 8000045, 8000058, 9000856, 9000868, 9000901, 9000933, 9000939, 9000951, 9000977, 10455504, 12563764, 12564089, 12570255, 12575083, 12578050, 12579131, 12587865, 12592294, 12593764, 89017523
Lester Nos: 6491, 6493, 6494
WAI Ref. Nos: 2-2110-DR, 2-2144-DR, 2-2336-DR
Dim: 83mm L x 64mm OD, 4-magnets



57-1230
Field Case Assy.

For: Delco PG260G Series PMGR Starters
Used On: (2004-01) Cadillac, Chevrolet, GMC, Isuzu, Oldsmobile
Unit Nos: Delco 9000871, 9000873, 9000910, 9000925, 9000964, 9000973, 12563719, 12564107, 12564111, 12572716, 12573853, 12583114, 12586040
Lester Nos: 6485, 6489
WAI Ref. Nos: 2-2112-DR, 2-2211-DR
Dim: 92mm L x 73mm OD, 6-magnets



57-1231
Field Case Assy.

For: Delco PG260L Series PMGR Starters
Used On: (2005-01) Buick, Cadillac, Chevrolet, GMC, Isuzu, Oldsmobile, Pontiac
Unit Nos: Delco 9000876, 9000881, 9000896, 9000966, 9000979, 12563919, 12572141, 12574832, 12584048, 12588785, 15749578
Lester Nos: 6471, 6490
WAI Ref. Nos: 2-2113-DR, 2-2141-DR
Dim: 103mm L x 75mm OD, 6-magnets
Note: With drain notches.
 Used w/ 52-140 C.E. Frame.
 57-1231, 57-1232, 57-1233 field case assys. are similar but not interchangeable because alignment notches are at different locations.



57-1232
Field Case Assy.

For: Delco PG260L Series PMGR Starters
Used On: (2003-01) Buick, Chevrolet, Oldsmobile, Pontiac
Unit Nos: Delco 9000874, 9000882, 9000904, 12563916, 12567398, 12571039
Lester Nos: 6472, 6480
WAI Ref. Nos: 2-2114-DR, 2-2140-DR
Dim: 103mm L x 75mm OD, 6-magnets
Note: With drain notches.
 Used w/ 52-140 C.E. Frame.
 57-1231, 57-1232, 57-1233 field case assys. are similar but not interchangeable because alignment notches are at different locations.

STARTER - FIELD CASES (57-)

DELCO (cont'd.)



57-1233

Field Case Assy.

For: Delco PG260L Series PMGR Starters

Used On: (2005-01) AM General, Cadillac, Chevrolet, GMC, Isuzu, Oldsmobile, Pontiac

Unit Nos: Delco 8000052, 8000061, 9000875, 9000878, 9000879, 9000880, 9000926, 9000927, 9000931, 9000962, 12563863, 12564108, 12564109, 12564110, 12570823, 12573852, 12574145, 12574859, 12583115, 12592295, 12593688

Lester Nos: 6449, 6482, 6490, 6492

WAI Ref. Nos: 2-2141-DR, 2-2142-DR, 2-2143-DR, 2-2200-DR, 2-2344-DR

Dim: 103mm L x 75mm OD, 6-magnets
Note: With drain notches.

Used w/ 52-141 C.E. Frame.

57-1231, 57-1232, 57-1233 field case assys. are similar but not interchangeable because alignment notches are at different locations.



57-1234

Field Case Assy.

For: Delco PG260L Series PMGR Starters

Used On: Cobra, Mercury Mercruiser, OMC, Yamaha, Volvo-Penta Marine Engines

Unit Nos: Delco 9000885, 9000895

Lester Nos: 6562

WAI Ref. Nos: 2-2322-DR, 2-2323-DR

Dim: 103mm L x 75mm OD, 6-magnets

Note: Without drain notches.

Used w/ 52-141 C.E. Frame.



57-8400

Field Case

For: Delco 28MT Series OSGR Starters

Dim: 105mm L x 90mm OD



57-84200

Field Case Assy.

12 Volt, CW Rotation

For: Delco 28MT Series OSGR Starters

Replaces: Delco 10456473

Dim: 105mm L x 90mm OD

Components:

57-8400 Field Case

58-8400 Pole Shoes

59-8400-1 Field Coils

85-1504 Pole Shoes Screws



57-84201

Field Case Assy.

24 Volt, CW Rotation

For: Delco 28MT Series OSGR Starters

Replaces: Delco 10457118

Dim: 105mm L x 90mm OD

Components:

57-8400 Field Case

58-8400 Pole Shoes

59-8401-1 Field Coils

85-1504 Pole Shoes ScrewsFord

FORD



57-2209

Field Case Assy.

For: Ford PMGR, PMGR Noseless Starters

Dim: 97mm L x 78mm OD

Components:

58-2500 Magnet, North Pole

58-2501 Magnet, South Pole

Features:

- Zinc-yellow plated

57-2209-1

Field Case Assy.

Same as 57-2209 except...

Features:

- Painted black



57-2210

Field Case Assy.

For: Ford PMGR External Thru Bolt Starters

Used On: (2004-00) Jaguar, Lincoln

Unit Nos: Ford XW4U-11000-AC, XW4Z-11002-AC; Jaguar C2C-1127

Lester Nos: 6651

Dim: 93mm L x 68mm OD

MITSUBISHI



57-83201

Field Case Assy.

For: Mitsubishi OSGR Starters

Used On: (1987-82) Dodge, Ford, Mazda, Mitsubishi (Diesel)

Unit Nos: Mitsubishi M2T60071, M2T60072, M2T60073, M2T60171, M2T60185, M2T60271, M2T60371, M2T92071

Lester Nos: 16744, 16799, 16854, 16857, 17036

WAI Ref. Nos: 2-1138-MI, 2-1143-MI, 2-1170-MI, 2-1249-MI, 2-1451-MI

Dim: 102mm L x 81mm OD



57-83202

Field Case Assy.

For: Mitsubishi OSGR Starters

Used On: (1994-85) Ford 6.9L, 7.3L (Diesel)

Unit Nos: Mitsubishi M3T90071, M3T90072

Lester Nos: 17037

WAI Ref. Nos: 2-1254-MI

Dim: 105mm L x 89mm OD

Components:

59-8303 Field Coil

59-8303-1 Field Coil

58-83508 Pole Shoe



57-83203

Field Case Assy.

For: Mitsubishi OSGR Starters

Used On: Onan

Unit Nos: Mitsubishi M2T54172, M2T54271, M2T54371, M2T54372, M2T56071

Lester Nos: 16744, 17008

WAI Ref. Nos: 2-1138-MI, 2-1732-MI

Dim: 86mm L x 79mm OD



57-83216

Field Case Assy.

For: Mitsubishi PLGR Starters

Used On: (2000-94) Ford Pickup, SUV, Van 7.3L (Diesel)

Replaces: Ford F4TZ-11K192-A, F5TZ-11K192-A

Unit Nos: Ford F4PU-11000-AA; F4TZ-11002-A, -B; F5TU-11000-AA, -AB; Mitsubishi M8T50071, M8T50171

Lester Nos: 17577, 17578

WAI Ref. Nos: 2-1747-MI, 2-1748-MI

Dim: 94mm L x 85mm OD

Components:

59-8304 Field Coil

FIELD COILS

Quality in Every Detail

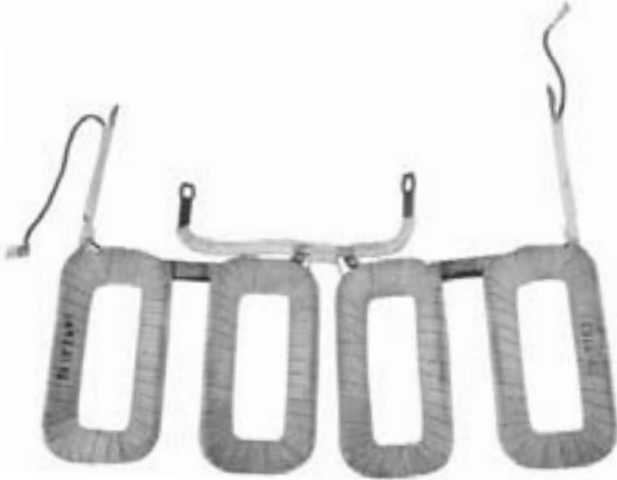
WAI MANUFACTURED FIELD COILS

WAI field coils are carefully made using a combination of specialized equipment and highly experienced operators to ensure high quality at competitive prices.

- High-grade copper wire and insulation for outstanding electrical properties.
- Machine-wound and die-pressed for accurate shape and ease of installation.
- Hand-wrapped - special attention is paid to each and every coil to ensure complete coverage.
- Pressure varnished and oven-baked for deep varnish penetration and long-lasting performance.
- Spot-welding machine controls weld pressure and temperature to ensure buss-bars, brushes and terminals are properly and accurately attached.
- 100% tested to meet WAI's quality standards



BOSCH



59-9102
Field Coil
24 Volt, CW Rotation

For: Bosch 410, 411 Series DD Starters

Used On: Clark, KHD, MAN, Mercedes, Volvo White-GMC, Volvo-Penta

Replaces: Bosch 2-004-125-036; Ref# 2G-4449, ST-900

Unit Nos: Bosch 0-001-410-015, -016, -019, -021, -022, -024, -029, -032, -034, -035, -037, -041, -043, -044, -045, -046, -049, -050, -052, -053, -058, -062, -063, -065, -067, -069, -075, -077, -078, -081, -087, -088, -090, -092, -094, -097, -098, -101, -102, -104, -106, -109, -111, -113, -115, -117, -001, -002; 0-001-411-004, -005, -006, -007, -009, -010, -012, -013, -014, -015, -016, -017, -019, -020, -021, -022, -025, -026, -027, -028, -031, -032, -035; 0-001-416-059; 9-000-084-007, -008, -012, -024

Dim: 99mm HT x 29mm W



59-9103
Field Coil
12 Volt, CW Rotation

For: Bosch 367 Series DD Starters

Used On: Deutz, Fiat, IHC, Iveco, John Deere, KHD, Massey Ferguson, Magirus, Mercedes, Volvo

Replaces: Bosch 2-004-114-061; Ref# 2G-4448, ST-901

Unit Nos: Bosch 0-001-367-001, -002, -003, -004, -005, -006, -007, -008, -009, -010, -011, -012, -013, -014, -015, -016, -018, -021, -022, -023, -024, -025, -026, -027, -028, -029, -030, -032, -033, -034, -036, -039, -042, -044, -045, -046, -048, -050, -052, -054, -055, -056, -058, -063, -069, -072, -076, -300

Dim: 86mm HT x 32mm W



59-9104
Field Coil
24 Volt, CW Rotation

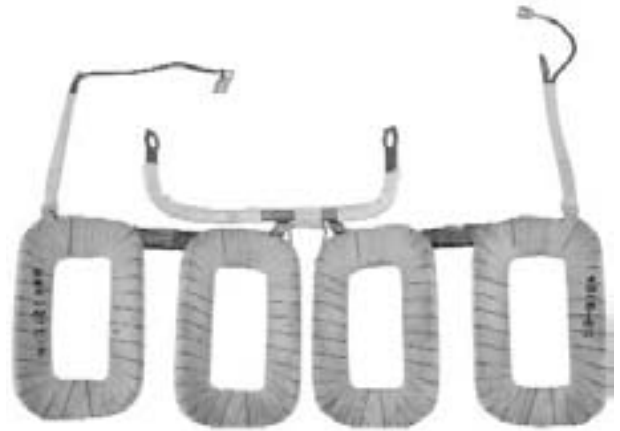
For: Bosch 368 Series DD Starters

Used On: Deutz, Fiat, IHC, Iveco, KHD, Magirus, Mercedes

Replaces: Bosch 2-004-114-065, 2-004-114-295; Ref# ST-902

Unit Nos: Bosch 0-001-368-001, -002, -003, -005, -007, -009, -010, -011, -012, -013, -016, -017, -019, -020, -021, -023, -025, -026, -027, -028, -030, -034, -038, -040, -051, -055, -058, -059, -063, -069, -071, -085, -300

Dim: 86mm HT x 32mm W



59-9105
Field Coil
24 Volt, CW Rotation

For: Bosch 414, 415, 416 Series DD Starters

Used On: Clark, Fiat, KHD, MAN, Mercedes, Volvo White-GMC

Replaces: Bosch 2-004-125-078, 2-004-125-080; Ref# ST-903

Unit Nos: Bosch 0-001-402-076; 0-001-414-013, -016, -019, -020; 0-001-415-001, -002, -003, -006, -007, -008, -009, -010, -011, -013, -017, -019, -021, -022, -023, -024, -027; 0-001-416-001, -002, -003, -004, -005, -006, -008, -009, -010, -013, -014, -017, -018, -022, -023, -024, -025, -026, -028, -029, -030, -031, -032, -033, -035, -039, -040, -044, -045, -046, -047, -049, -050, -051, -053, -058, -059, -071

Dim: 66mm HT x 28mm W

STARTER - FIELD COILS (59-)

BOSCH (cont'd.)



59-9109

Field Coil

12 Volt, CW Rotation

For: Bosch 362, 366 Series DD Starters

Used On: (1987-74) Audi, Mercedes, Peugeot, Volvo; Deutz, Ditch Witch, Ingersoll-Rand

Replaces: Bosch 2-004-114-145, 2-004-114-148, 2-004-114-182; Ref# 2G-4447

Unit Nos: Bosch 0-001-354-092, 0-001-357-002; 0-001-362-006, -007, -008, -011, -013, -014, -015, -016, -017, -019, -020, -021, -022, -023, -024, -025, -027, -028, -029, -030, -032, -033, -034, -035, -036, -037, -038, -039, -040, -041, -042, -044, -045, -046, -047, -049, -050, -051, -052, -053, -057, -059, -060, -061, -062, -063, -064, -069, -070, -071, -072, -073, -074, -075, -076, -077, -078, -079, -081, -082, -083, -090, -093, -300, -301, -303, -304, -305, -310, -312, -314, -316, -321, -322, -324, -600, -601, -605, -700, -701; 0-001-366-001, -002, -004, -008, -009, -011, -012, -014, -015, -017, -018, -019, -020, -021, -022, -024, -025, -027

Lester Nos: 16445, 16615, 16715, 16752, 16753, 16754, 16949, 16957, 16999, 17318

WAI Ref. Nos: 2-1270-BO, 2-1277-BO, 2-1287-BO, 2-1294-BO, 2-1296-BO, 2-1803-BO, 2-1905-BO, 2-1908-BO, 2-1925-BO, 2-2042-BO

Dim: 71mm HT x 32mm W

Features:

- Premium Quality
- Mfd. in Canada

59-9109-3

Field Coil

12 Volt, CW Rotation

Same as 59-9109 except...

Features:

- Best Value



59-9113

Field Coil

12 Volt, CW Rotation

For: Bosch 359 Series DD Starters

Used On: Alfa Romeo, Audi, DAF, Deutz, Iveco, Fiat, IHC, John Deere, KHD, MAN, Massey Ferguson, Mack, Magirus, Renault, VW, Volvo

Replaces: Bosch 2-004-114-169, 2-007-010-041; Ref# 2G-4428, ST-781

Unit Nos: Bosch 0-001-359-001, -003, -006, -007, -008, -010, -012, -013, -014, -016, -019, -020, -024, -025, -026, -027, -030, -031, -032, -033, -034, -035, -037, -038, -044, -045, -046, -051, -053, -055, -056, -057, -058, -059, -060, -062, -063, -064, -067, -068, -069, -070, -071, -072, -073, -074, -075, -076, -081, -082, -083, -084, -085, -086, -087, -088, -089, -090, -091, -094, -095, -096, -097, -098, -099, -100, -101, -102, -104, -106, -107, -108, -109, -110, -111, -112, -113, -114, -117, -118, -119, -122, -124

Dim: 86mm HT x 32mm W



59-9119

Field Coil

24 Volt, CW Rotation

For: Bosch 364 Series DD Starters

Used On: DAF, Deutz, IHC, KHD, Magirus

Replaces: Bosch 2-004-114-258; Ref# 2G-4459, ST-907

Unit Nos: Bosch 0-001-364-100, 0-001-364-101, 0-001-364-102, 0-001-364-103, 0-001-364-104, 0-001-364-105, 0-001-364-106, 0-001-364-108, 0-001-364-200, 0-001-364-201, 0-001-364-202, 0-001-364-203, 0-001-364-204, 0-001-364-205

Dim: 105mm HT x 32mm W

Features:

- Mfd. in Canada

STARTER - FIELD COILS (59-)



59-9126
Field Coil
12 Volt, CW Rotation

For: Bosch 369 Series DD Starters
Used On: Caterpillar, IHC, JCB, John Deere
Replaces: Bosch 2-004-114-086, 2-004-114-092
Unit Nos: Bosch 0-001-369-001, -002, -003, -004, -005, -006, -007, -014, -024
Dim: 71mm HT x 32mm W

DELCO

5MT, SD200-SD260 Series



59-102
Field Coil
12 Volt, CW Rotation

For: Delco 5MT, SD200 Series DD Starters
Replaces: Ref# 2A-4571, ST-812
Dim: 50mm HT x 24mm W

Note: 8-turn coils, short type

Components:

76-1607 Repair Lead, Brush
76-1608 Repair Lead, Motor (Flex Lead)

Features:

- Mfd. in Canada

CHRYSLER



59-304
Field Coil
12 Volt, CW Rotation

For: Chrysler 1.8 HP OSGR Starters
Replaces: Chrysler 3755245; Ref# 2C-4400, ST-454
Dim: 47mm HT x 29mm W



59-305
Field Coil
12 Volt, CW Rotation, High Torque

For: Chrysler 'Tin Can' Type Starters w/ Externally Mtd. Solenoid
Replaces: Chrysler 2084088; Ref# 2C-4410, ST-450-HT
Dim: 60mm HT x 30mm W
Features:

- Mfd. in Canada



59-103
Field Coil
12 Volt, CW Rotation

For: Delco 5MT, SD200 Series DD Starters
Replaces: Ref# 2A-4872, ST-813
Dim: 63mm HT x 24mm W

Note: 8-turn coils, long type

Components:

76-1607 Repair Lead, Brush
76-1608 Repair Lead, Motor (Flex Lead)

Features:

- Mfd. in Canada

STARTER - FIELD COILS (59-)

DELCO

5MT, SD200-SD260 Series (cont'd.)



59-104
Field Coil

12 Volt, CW Rotation, High Torque

For: Delco 5MT, SD200, SD250 Series DD Starters

Replaces: Ref# 2A-4883, ST-813-HT

Dim: 63mm HT x 24mm W

Note: 6-turn coils, long type

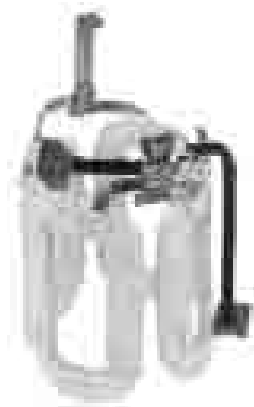
Components:

76-1607 Repair Lead, Brush

76-1608 Repair Lead, Motor (Flex Lead)

Features:

- Mfd. in Canada



59-149

Field Coil

12 Volt, CW Rotation

For: Delco SD205, SD255 Series DD Starters

Replaces: Ref# ST-825

Unit Nos: Delco 10455064, 10455065, 10455069, 10455071, 10455072, 10455073, 10455074, 10455080, 10455081, 10455084, 24507410

Lester Nos: 6473, 6474, 6483

Dim: 63mm HT x 24mm W

Note: 8-turn coils

Components:

68-138 Brush (w/ Clip)

68-138-1 Brush (wo/ Clip)

Features:

- Mfd. in Canada



59-146

Field Coil

12 Volt, CW Rotation

For: Delco SD210, SD260 Series DD Starters

Replaces: Ref# 2A-4836

Lester Nos: 6415, 6416, 6418, 6419, 6424

Dim: 63mm HT x 24mm W

Note: 8-turn coils

Components:

68-138 Brush (w/ Clip)

68-138-1 Brush (wo/ Clip)

76-1616 Repair Lead, Motor

Features:

- Mfd. in Canada



59-150

Field Coil

12 Volt, CW Rotation, High Torque

For: Delco SD255 Series DD Starters

Unit Nos: Delco 10455066, 10455067, 24507409

Lester Nos: 6475, 6476

Dim: 63mm HT x 24mm W

Note: 6-turn coils

Components:

68-138 Brush (w/ Clip)

68-138-1 Brush (wo/ Clip)

Features:

- Mfd. in Canada

10MT, SD300 Series



59-109-3
Conversion Field Coil
12 Volt, CW Rotation

For: Delco 10MT, SD300 Series DD Starters
Replaces: Ref# 2A-4557, ST-390-HT
Dim: 53mm HT x 33mm W
Note: Provides high torque capability w/ low torque armature.



59-111
Field Coil
12 Volt, CW Rotation

For: Delco 10MT, SD300 Series DD Starters
Replaces: Delco 1967968, D4229; Ref# 2A-4753, ST-398
Dim: 53mm HT x 33mm W



59-112-3
Field Coil
12 Volt, CW Rotation, High Torque

For: Delco 10MT, SD300 Series DD Starters
Replaces: Delco 1976129, 1977306, 10470770, 10496643, D4223, D4227, D4264; Ref# 2A-4435, ST-399
Dim: 62mm HT x 30mm W



59-115-3
Field Coil
12 Volt, CW Rotation

For: Delco 10MT, SD300 Series DD Starters
Replaces: Delco 1957375, 1974183, 1974924, D4232, D4234; Ref# 2A-4564, ST-818
Dim: 53mm HT x 33mm W
Components: 76-1622 Repair Lead, Brush
Features:

- Best Value



59-153
Field Coil
12 Volt, CCW Rotation

For: Delco 10MT, SD300 Series DD Starters
Replaces: Delco 1974375; Ref# 2A-4833, ST-875
Dim: 53mm HT x 33mm W
Features:

- Mfd. in Canada



59-160
Field Coil
12 Volt, CW Rotation

For: Delco 10MT, SD300 Series DD Starters
Replaces: Delco 1932696; Ref# 2A-4511, ST-93-HT
Unit Nos: Delco 1107733, 1108181, 1108183, 1108184, 1108186, 1108188
Dim: 53mm HT x 33mm W
Components: 59-175 Shunt Coil
Features:

- Mfd. in Canada

STARTER - FIELD COILS (59-)

DELCO

10MT, SD300 Series (cont'd.)



59-162

Field Coil

6 Volt, CW Rotation

For: Delco 10MT DD Starters

Replaces: Delco 1935770; Ref# 2A-4455, ST-337

Dim: 62mm HT x 30mm W

Features:

- Mfd. in Canada



59-164

Field Coil

12 Volt, CCW Rotation

For: Delco 10MT, SD300 Series DD Starters

Replaces: Delco 1937548; Ref# 2A-4457, ST-391

Unit Nos: Delco 1107213, 1107672, 1107741, 1107788, 1107878, 1107881, 1107886, 1108198

Dim: 53mm HT x 33mm W

Features:

- Mfd. in Canada



59-166

Field Coil

12 Volt, CW Rotation

For: Delco 10MT, SD300 Series DD Starters

Replaces: Delco 1939535; Ref# 2A-4434, ST-351

Unit Nos: Delco 1107695

Dim: 53mm HT x 33mm W



59-170

Field Coil

12 Volt, CW Rotation

For: Delco 10MT, SD300 Series DD Starters

Replaces: Delco 1928969, 1940471, D4233;

Ref# 2A-4722, ST-91-HT

Unit Nos: Delco 1107202, 217, 227, 231, 658, 659, 663, 670, 673, 674, 675, 677, 702, 708, 738, 740, 745, 746, 747, 753, 755, 756, 757, 761, 764, 770, 787, 798, 899, 900

Dim: 53mm HT x 33mm W

Features:

- Mfd. in Canada



59-171

Field Coil

12 Volt, CCW Rotation, High Torque

For: Delco 10MT DD Starters

Replaces: Ref# 2A-4775

Dim: 62mm HT x 30mm W

Features:

- Mfd. in Canada



59-176

Field Coil

12 Volt, CCW Rotation

For: Delco 10MT, SD300 Series DD Starters w/ Early Style Fld. Case

Replaces: Delco 1968775; Ref# 2A-4420, ST-354

Unit Nos: Delco 1107341

Dim: 53mm HT x 33mm W

Features:

- Mfd. in Canada

STARTER - FIELD CASES & FIELD COILS

STARTER - FIELD COILS (59-)

20-27MT Series



59-181
Field Coil
6 Volt, CW Rotation

For: Delco 10MT, SD300 Series DD Starters
Replaces: Delco 1959303; Ref# 2A-4746, ST-377-HT
Unit Nos: Delco 1107191, 1107192, 1107198, 1107199, 1107276, 1107476, 1107477, 1107478, 1107479, 1107481, 1107483, 1107484, 1107485, 1107486, 1107487, 1107488, 1107489, 1107490, 1107494, 1108090, 1108190, 1108191, 1109381, 1109382, 1109393, 1109394
Dim: 62mm HT x 30mm W
Features:

- Mfd. in Canada



59-1900
Shunt Coil
12 Volt

For: Delco 10MT, SD300 Series Starters
Replaces: Ref# 2A-4453, ST-96-S
Dim: 52mm HT x 33mm W
Features:

- Mfd. in Canada



59-118
Field Coil
12 Volt, CW Rotation

For: Delco 20MT, 25MT Series DD Starters
Replaces: Delco 1891918, 1956384; Ref# 2A-4458, ST-370
Dim: 100mm HT x 31mm W
Note: 5-1/2-turn coils, 1.91mm thick wire
Components:
76-1609 Repair Lead, Brush
Features:

- Premium Quality
- Mfd. in Canada

59-118-3
Field Coil
12 Volt, CW Rotation

Same as 59-118 except...

Features:

- Best Value
- Varnish-dipped



59-119
Field Coil
12 Volt, CW Rotation

For: Delco 20MT, 25MT Series DD Starters
Replaces: Delco 1960853; Ref# 2A-4460, ST-379
Dim: 100mm HT x 31mm W
Note: 5-turn coils, 2.16mm thick wire
Components:
76-1609 Repair Lead, Brush
Features:

- Premium Quality
- Mfd. in Canada

STARTER - FIELD COILS (59-)

DELCO

20-27MT Series (cont'd.)

59-119-3

Field Coil

12 Volt, CW Rotation

Same as 59-119 except...

Features:

- Best Value
- Varnish-dipped



59-120

Field Coil

12 Volt, CW Rotation

For: Delco 27MT Series DD Starters

Replaces: Delco 1978123, D4239; Ref# 2A-4575, ST-830

Dim: 100mm HT x 31mm W

Note: 3-1/2-turn coils, 2.54mm. thick wire

Components:

76-1609 Repair Lead, Brush

Features:

- Premium Quality
- Mfd. in Canada

59-120-3

Field Coil

12 Volt, CW Rotation

Same as 59-120 except...

Features:

- Best Value
- Varnish-dipped



59-152

Field Coil

12 Volt, CW Rotation

For: Delco 22MT, 27MT Series DD Starters

Replaces: Delco 1986457; Ref# 2A-4595, ST-457

Dim: 100mm HT x 31mm W

Note: 4-1/2 turn 2-coils, 5-1/2 turn 2-coils, 2.16mm thick wire

Components:

76-1609 Repair Lead, Brush



59-174

Field Coil

24 Volt, CW Rotation

For: Delco 22MT, 27MT Series DD Starters

Replaces: Delco 1986473; Ref# 2A-4820, ST-473

Unit Nos: Delco 1113591, 594, 596, 600; 1998351, 409, 432, 454, 459, 463, 487, 488, 519; 10455500

Dim: 100mm HT x 31mm W

Features:

- Mfd. in Canada

28MT Series



59-8400-1

Field Coil

12 Volt, CW Rotation

For: Delco 28MT Series OSGR Starters

Replaces: Ref# ST-850

Dim: 55mm HT x 21mm W

M8 x 1.25 Motor Terminal

Note: Includes terminal kit with replacement lead assy. and hardware

Features:

- Motor terminal installed on flexible lead for ease of installation
- Nomex envelope wrapped coils

STARTER - FIELD COILS (59-)



59-8400-2
Field Coil
12 Volt, CW Rotation

Same as 59-8400-1 except...

Note: Replacement coil only.

To be used when original lead assy. and terminal are salvageable.

Features:

- Nomex envelope wrapped coils



59-8401-1
Field Coil
24 Volt, CW Rotation

For: Delco 28MT Series OSGR Starters

Replaces: Ref# ST-852

Dim: 55mm HT x 21mm W

M8 x 1.25 Motor Terminal

Note: Includes terminal kit with replacement lead assy. and hardware

Features:

- Motor terminal installed on flexible lead for ease of installation
- Nomex envelope-wrapped coils

30MT Series



59-121
Field Coil
12 Volt, CW Rotation

For: Delco 30MT Series External Rotatable DD Starters

Replaces: Delco 1851981; Ref# 2A-4559, ST-801

Dim: 77mm HT x 36mm W

3/8-16 Motor Terminal



59-122
Field Coil
12 Volt, CW Rotation

For: Delco 30MT Series Internal Rotatable DD Starters

Replaces: Delco 1945350, D4218; Ref# 2A-4467, ST-355

Dim: 77mm HT x 36mm W

3/8-16 Motor Terminal

Features:

- Premium Quality
- Mfd. in Canada

59-122-3
Field Coil
12 Volt, CW Rotation

Same as 59-122 except...

Features:

- Best Value
- Varnish-dipped

STARTER - FIELD COILS (59-)

DELCO

30MT Series (cont'd.)



59-124

Field Coil

24 Volt, CW Rotation

For: Delco 30MT Series Internal Rotatable DD Starters

Replaces: Delco 1951857; Ref# 2A-4444, ST-803

Dim: 77mm HT x 36mm W

3/8-16 Motor Terminal

Features:

- Premium Quality
- Mfd. in Canada

59-124-3

Field Coil

24 Volt, CW Rotation

Same as 59-124 except...

Features:

- Best Value
- Varnish-dipped



59-167

Field Coil

12 Volt, CCW Rotation

For: Delco 30MT Series Internal Rotatable DD Starters

Replaces: Delco 1945612; Ref# 2A-4554, ST-355-R

Unit Nos: Delco 1113090, 1113132, 1113149, 1113155, 1113176, 1113187, 1113197, 1113198, 1113201, 1113206, 1113213, 1113471, 1114662

Dim: 77mm HT x 36mm W

3/8-16 Motor Terminal

Features:

- Mfd. in Canada

35MT Series



59-127

Field Coil

12-24 Volt, CW Rotation

For: Delco 35MT Series DD Starters

Replaces: Delco 1946386, 1948098; Ref# 2A-4441, ST-866

Dim: 109mm HT x 33mm W

3/8-16 Motor Terminal



59-128

Field Coil

12 Volt, CW Rotation

For: Delco 35MT Series DD Starters

Replaces: Delco 1966028, 1969128; Ref# 2A-4468, ST-392

Dim: 109mm HT x 33mm W

3/8-16 Motor Terminal



59-154

Field Coil

12-24 Volt, CW Rotation

For: Delco 35MT Series DD Starters

Replaces: Delco 1852026; Ref# 2A-4476, ST-397

Dim: 109mm HT x 33mm W

1/2-13 Motor Terminal

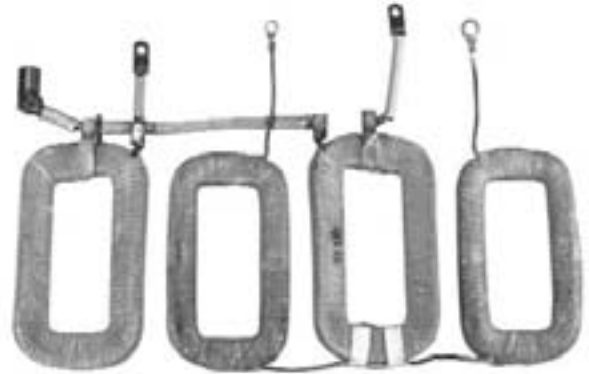
Features:

- Mfd. in Canada



59-173
Field Coil
12 Volt, CCW Rotation

For: Delco 35MT Series Internal Rotatable DD Starters
Replaces: Delco 1959456; Ref# 2A-4748, ST-888
Unit Nos: Delco 1113409, 1113642, 1113647, 1113663, 1113673, 1113680, 1113685, 1113696
Dim: 109mm HT x 33mm W
 3/8-16 Motor Terminal



59-130
Field Coil
24 Volt, CW Rotation

For: Delco 37MT Series DD Starters
Replaces: Delco 1988328; Ref# 2A-4811, ST-829
Unit Nos: Delco 1990330, 331, 332, 499; 1993701, 702, 707, 711, 723, 729, 732, 741, 742, 744, 829, 831, 838, 861, 862
Dim: 89mm HT x 33mm W
 1/4-20 Motor Terminal
Note: For early type starters w/ shunt terminal to solenoid
Features:

- Premium Quality
- Mfd. in Canada

37MT, 41MT Series



59-129
Field Coil
12 Volt, CW Rotation

For: Delco 37MT Series DD Starters
Replaces: Delco 1985324; Ref# 2A-4810, ST-828
Unit Nos: Delco 1990308, 1990309, 1990310, 1990311, 1990312, 1990313, 1990315, 1990316, 1990318, 1990319, 1990320, 1990321, 1990341, 1990347, 1993705, 1993709, 1993712, 1993738, 1993745, 1993754, 1993756
Dim: 89mm HT x 33mm W
Note: For early type starters w/ field coil term. thru C.E. frame
Features:

- Premium Quality
- Mfd. in Canada

59-129-3
Field Coil
12 Volt, CW Rotation

Same as 59-129 except...

Features:

- Best Value
- Varnish-dipped



59-131
Field Coil
12 Volt, CW Rotation

For: Delco 37MT Series DD Starters
Replaces: Delco 10496940; Ref# 2A-4826, ST-835
Unit Nos: Delco 1990317, 498; 1993713, 755, 759, 761, 762, 763, 764, 767, 768, 769, 770, 778, 787, 789, 790, 791, 792, 793, 794, 799, 800, 817, 818, 819, 832, 837, 865
Dim: 89mm HT x 33mm W
Note: For early type starters w/ field coil term. thru C.E. frame
Features:

- Premium Quality
- Mfd. in Canada

59-131-3
Field Coil
12 Volt, CW Rotation

Same as 59-131 except...

Features:

- Best Value
- Varnish-dipped

STARTER - FIELD COILS (59-)

DELCO

37MT, 41MT Series (cont'd.)



59-144

Field Coil

12 Volt, CW Rotation

For: Delco 37MT, 41MT Series DD Starters

Replaces: Delco 10468110, D4255; Ref# 2A-4821, ST-840

Unit Nos: Delco 1993799, 850, 851, 853, 854, 855, 866, 869, 871, 873, 874, 878, 879, 880, 881, 883, 885, 886, 887, 891, 893, 894, 898, 909, 921, 926, 928, 931, 947, 950, 951, 956, 957, 958, 963, 964, 965, 966, 967, 969, 970, 971, 974, 981, 986, 988, 992, 994, 997; 10478805, 806, 812, 818, 825, 831, 890, 897, 921, 926, 927, 928, 929, 930, 949, 957, 999; 10479014, 015, 016, 020, 023, 034, 035, 036, 054, 060, 061, 068, 069, 071, 098, 102, 139, 165, 169, 170, 174, 186, 195, 215

Dim: 89mm HT x 33mm W

1/4-20 Motor Terminal

Note: For late type starters w/ field coil term. thru field case

Features:

- Premium Quality
- Mfd. in Canada

59-144-3

Field Coil

12 Volt, CW Rotation

Same as 59-144 except...

Features:

- Best Value
- Varnish-dipped



59-145

Field Coil

24 Volt, CW Rotation

For: Delco 37MT Series DD Starters

Replaces: Delco 10469230, D4257; Ref# 2A-4824, ST-833

Unit Nos: Delco 1993866, 869, 873, 893, 901, 902, 903, 905, 909, 910, 911, 914, 917, 918, 919, 920, 921, 926, 930, 953, 954, 955, 966, 970, 972, 986; 10478811, 814, 819, 826, 928, 960, 976; 10479014, 020, 175

Dim: 89mm HT x 33mm W

1/4-20 Motor Terminal

Note: For late type starters wo/ shunt terminal to solenoid



59-151-3

Field Coil

24 Volt, CW Rotation

For: Delco 37MT, 41MT Series DD Starters

Replaces: Delco 10472563; Ref# ST-846

Unit Nos: Delco 1993995; 10478817, 898, 925, 961; 10479013, 043, 079, 172

Dim: 89mm HT x 33mm W

1/4-20 Motor Terminal

40MT Series



59-132

Field Coil

24 Volt, CW Rotation

For: Delco 40MT Series DD Starters

Replaces: Delco 1846926, 1945496, 1974929;

Ref# 2A-4449, ST-860

Dim: 109mm HT x 33mm W

1/2-13 Motor Terminal

Components:

76-1551 Motor Terminal

Features:

- Premium Quality
- Mfd. in Canada

59-132-3

Field Coil

24 Volt, CW Rotation

Same as 59-132 except...

Features:

- Best Value
- Varnish-dipped

STARTER - FIELD COILS (59-)



59-133-3

Field Coil

12 Volt, CW Rotation

For: Delco 40MT Series DD Starters

Replaces: Delco 1945109, 1971839, 1974778;
Ref# 2A-4440, ST-865

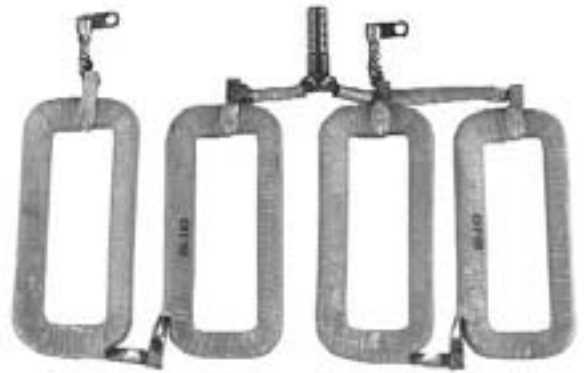
Dim: 109mm HT x 33mm W
1/2-13 Motor Terminal

Components:

76-1551 Motor Terminal

Features:

- Best Value
- Varnish-dipped



59-143

Field Coil

24 Volt, CCW Rotation

For: Delco 40MT Series DD Starters

Replaces: Delco 1946761, 1978378; Ref# 2A-4447, ST-860-R

Dim: 109mm HT x 33mm W
1/2-13 Motor Terminal

Components:

76-1551 Motor Terminal



59-134

Field Coil

12 Volt, CCW Rotation

For: Delco 40MT Series DD Starters

Replaces: Delco 1945883, 1977661; Ref# 2A-4446, ST-889

Dim: 109mm HT x 33mm W
1/2-13 Motor Terminal

Components:

76-1551 Motor Terminal



59-179

Field Coil

12-24 Volt, CW Rotation, High Torque

For: Delco 40MT Series DD Starters

Replaces: Delco 1846926, 1945109, 1971839, 1974778,
1974929; Ref# 2A-4759, ST-865-HT

Unit Nos: Delco 1113386, 389, 392, 396, 397, 399, 401, 404,
408, 410-413, 419, 425, 430, 435, 437, 443, 447, 472, 474,
477, 478, 480, 483, 485, 487, 488, 490, 493, 497, 537-540,
542, 544, 547, 548, 582, 583, 585, 586, 674, 675, 678, 681,
686, 687, 689, 691, 693, 698, 699, 818, 820, 824, 825, 827,
830-832, 840, 842, 845, 846, 849-853, 855, 858, 864, 866, 867,
872, 873, 876, 879, 880, 882, 883, 887, 892, 895, 898, 900,
902, 905, 906, 910, 914-916, 918, 920, 923, 926, 928, 931,
935, 938, 940, 941, 942, 947-952, 955-960, 962, 965-978,
980-983, 986, 988, 990-995, 997-999; 1114051, 052, 054-058,
064-074, 076, 077, 078, 081-088, 090, 091, 092, 094, 095, 096,
098, 099, 101-103, 105, 107, 109-117, 119-122, 124-130,
132-154, 156-176, 178-182, 185-199, 657, 668, 682, 700, 701,
703-706, 708-715, 720, 722, 723-730, 733, 734, 735, 737, 738,
740-762, 765, 766, 767, 769-785, 787, 789, 790, 791, 793, 796,
802, 805, 810-817, 819-836, 839, 842-865, 871-911, 913-917,
920, 921, 923, 926-928, 931-937, 941, 944, 945, 947, 949-951,
953, 958, 961, 963-971, 973, 974, 977, 978, 979, 982, 984-989,
994-997; 1990202, 205, 219-224, 279, 280, 297, 304, 307, 324,
325, 328, 343, 346, 482; 1993703, 704

Dim: 109mm HT x 33mm W

Components:

76-1551 Motor Terminal

STARTER - FIELD COILS (59-)

DELCO

42MT Series



59-135

Field Coil

24 Volt, CW Rotation

For: Delco 42MT Series DD Starters

Replaces: Delco 1988442; Ref# 2A-4813, ST-819

Unit Nos: Delco 1990344, 350, 357, 359, 360, 361, 364, 366, 367, 368, 371, 373, 378, 382, 383, 388, 402, 411, 413, 414, 415, 416, 418, 422, 432, 434, 435, 437, 453, 454, 455, 456, 457, 459, 460, 462, 463, 464, 474, 485, 491, 493, 497;

1993786, 788, 796, 797, 802, 804, 805, 808, 810, 812, 814, 815, 822, 828, 833, 835, 842, 923, 924, 933, 936, 940, 941, 944, 945, 980, 987, 991, 993, 998; 10478820, 893, 937, 938, 939, 940, 941, 942, 943, 944, 946, 947, 948, 952, 980, 986, 988, 989, 990, 996, 998; 10479008, 009, 010, 011, 022, 053, 067, 164, 168, 182

Dim: 109mm HT x 33mm W

1/4-20 Motor Terminal

Features:

- Premium Quality
- Mfd. in Canada

59-135-3

Field Coil

24 Volt, CW Rotation

Same as 59-135 except...

Features:

- Best Value
- Varnish-dipped



59-136

Field Coil

12 Volt, CW Rotation

For: Delco 42MT Series DD Starters

Replaces: Delco 1988111; Ref# 2A-4822, ST-820

Dim: 109mm HT x 33mm W

1/4-20 Motor Terminal

Features:

- Premium Quality
- Mfd. in Canada

59-136-3

Field Coil

12 Volt, CW Rotation

Same as 59-136 except...

Features:

- Best Value
- Varnish-dipped



59-147

Field Coil

24 Volt, CCW Rotation

For: Delco 42MT Series DD Starters

Replaces: Delco 1988797

Unit Nos: Delco 1990381, 1990389, 1990436, 1990447, 1993784, 1993801, 1993826, 1993827, 1993996, 1993999, 10478836, 10478839, 10478892, 10478979, 10479012

Dim: 109mm HT x 33mm W

1/4-20 Motor Terminal

Features:

- Mfd. in Canada



59-148

Field Coil

12 Volt, CCW Rotation

For: Delco 42MT Series DD Starters

Replaces: Delco 1988863; Ref# 2A-4828, ST-837

Unit Nos: Delco 1990365, 380, 395, 430, 439, 442, 486, 494; 1993774, 849; 10478816, 968, 971, 978; 10479007

Dim: 109mm HT x 33mm W

1/4-20 Motor Terminal

Features:

- Mfd. in Canada

50MT Series



59-137-1
Field Coil

24-32 Volt, CW Rotation

For: Delco 50MT Series DD Starters

Replaces: Delco 1945853; Ref# 2A-4445, ST-371

Dim: 129mm HT x 26mm W

1/2-13 x 1-5/8 L Motor Terminal

Components:

76-1551 Motor Terminal



59-138
Field Coil

12 Volt, CW Rotation

For: Delco 50MT Series DD Starters

Replaces: Delco 1977820; Ref# 2A-4579, ST-871

Dim: 129mm HT x 26mm W

1/2-13 Motor Terminal

Components:

76-1551 Motor Terminal



59-139
Field Coil

24-32 Volt, CCW Rotation

For: Delco 50MT Series DD Starters

Replaces: Delco 1945916; Ref# 2A-4443, ST-372

Dim: 129mm HT x 26mm W

1/2-13 Motor Terminal

Components:

76-1551 Motor Terminal



59-140-1
Field Coil

32 Volt, CW Rotation

For: Delco 50MT Series DD Starters

Replaces: Delco 1967345; Ref# 2A-4574, ST-810

Dim: 129mm HT x 26mm W

1/2-13 x 2-1/4 L Motor Terminal

Features:

- Premium Quality
- Mfd. in Canada
- Varnish-dipped

59-140-3
Field Coil

32 Volt, CW Rotation

Same as 59-140-1 except...

Features:

- Best Value
- Varnish-dipped

Early Style, 6-12V



59-107
Field Coil

6-12 Volt, CW Rotation

For: Delco Early DD Starters

Replaces: Delco 1974925, D4235; Ref# 2A-4529, ST-336-HT

Unit Nos: Delco 1107159, 1107177, 1107178, 1107180, 1107186, 1107190, 1107195, 1107196, 1107197, 1107493, 1107877, 1108091, 1108094

Dim: 67mm HT x 31mm W

Features:

- Mfd. in Canada

STARTER - FIELD COILS (59-)

DELCO

Early Style, 6-12V (cont'd.)



59-159
Field Coil
6 Volt, CW Rotation

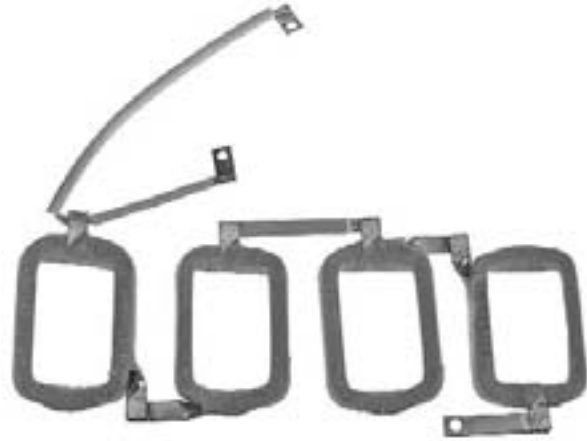
For: Delco 6V Starters

Replaces: Delco 826281, 826282, D4201; Ref# 2A-4405, ST-8

Dim: 65mm HT x 30mm W

Features:

- Mfd. in Canada



59-165
Field Coil
12 Volt, CW Rotation

For: Delco Early 12V Starters

Replaces: Delco 1930418, D4211; Ref# 2A-4426, ST-92

Unit Nos: Delco 1107893

Dim: 53mm HT x 33mm W

Features:

- Mfd. in Canada



59-161
Field Coil
12 Volt, CCW Rotation

For: Delco Early 12V Starters

Replaces: Delco 825210; Ref# 2A-4410, ST-87

Unit Nos: Delco 1108173, 1108174, 1108530, 1108531, 1108536, 1114600

Dim: 65mm HT x 31mm W

Features:

- Mfd. in Canada



59-168
Field Coil
6 Volt, CW Rotation

For: Delco 6V Starters

Replaces: Delco 1921195, 1921196, D4206, D4207; Ref# 2A-4416, ST-71

Dim: 65mm HT x 31mm W



59-169
Field Coil
6 Volt, CW Rotation

For: Delco 6V Starters

Used On: Massey Ferguson

Replaces: Delco 1882908, 1882909; Ref# 2A-4491, ST-25-HT

Unit Nos: Delco 1109457

Dim: 61mm HT x 28mm W

Features:

- Mfd. in Canada



59-163
Field Coil
6 Volt, CCW Rotation

For: Delco 6V Starters

Replaces: Delco 1923194, 1923195; Ref# 2A-4492, ST-26-HT

Dim: 65mm HT x 31mm W



59-172
Field Coil
12-24 Volt, CW Rotation

For: Delco Early 12-24V DD Starters w/ Exposed Shift Lever
Replaces: Delco 1934499, 1938390; Ref# 2A-4501, ST-342
Unit Nos: Delco 1113306, 307, 308, 309, 310, 311, 312, 314, 315, 316, 318, 319, 322, 323, 327, 328, 330, 333, 335, 337, 339, 340, 342, 345, 346, 350, 352, 357, 358, 359, 364, 369, 374, 601, 602, 603, 604, 605, 606, 607, 608, 609, 611, 612, 613, 614, 615, 616, 617, 618, 619, 620, 621, 622, 623, 624, 625
Dim: 110mm HT x 33mm W
Features:
 • Mfd. in Canada



59-177
Field Coil
6 Volt, CW Rotation

For: Delco 6V Starters w/ Motor Connection at D.E.
Replaces: Delco 820153, 820154; Ref# 2A-4408, ST-4
Dim: 65mm HT x 30mm W
Features:
 • Mfd. in Canada



59-178
Field Coil
6 Volt, CCW Rotation

For: Delco 6V Starters
Replaces: Delco 819688, 819689, 1878636; Ref# 2A-4493, ST-27-HT
Dim: 65mm HT x 31mm W
Note: For high torque starters



59-180
Field Coil
12 Volt, CW Rotation

For: Delco Early 12V Starters
Replaces: Delco 1838324; Ref# 2A-4510, ST-90
Unit Nos: Delco 1108104, 1108107, 1108109, 1108135, 1108143, 1108144, 1108155, 1108162, 1108167, 1108562
Dim: 64mm HT x 31mm W
Features:
 • Mfd. in Canada



59-182
Field Coil
6 Volt, CCW Rotation

For: Delco 6V Starters
Replaces: Delco 817055, 817056; Ref# 2A-4490, ST-21-HT
Dim: 64mm HT x 30mm W
Features:
 • Mfd. in Canada

FORD



59-205-3
Field Coil
12 Volt, CW Rotation

For: Ford 4" Mod II DD Starters w/ Deep C.E. Cover
Replaces: Ford E2BZ-11082-A, SC-544; Ref# 2B-4450, ST-230
Lester Nos: 3175, 3180, 3185, 3191
Dim: 67mm HT x 24mm W
Components:
 68-209 Brush (w/ Clip)
 68-209-1 Brush (wo/ Clip)
 71-2302 Grommet
 76-2561 Repair Terminal, Motor (Straight)

STARTER - FIELD COILS (59-)

FORD (cont'd.)



59-206-3

Field Coil

12 Volt, CW Rotation

For: Ford 4" Mod II DD Starters w/ Shallow C.E. Cover
Replaces: Ford E2FZ-11082-A, E3FZ-11082-A, E6FZ-11082-A, SC-547, SC-549, SC-558; Ref# 2B-4499, ST-232
Lester Nos: 3179, 3181, 3187, 3188, 3189, 3196, 3198
Dim: 55mm HT x 26mm W
Note: With angle motor terminal
Components:
 59-2902 Shunt Coil
 68-209 Brush (w/ Clip)
 68-209-1 Brush (wo/ Clip)
 71-2303 Grommet
 76-2560 Repair Terminal, Motor (Angle)



59-207-3

Field Coil

12 Volt, CW Rotation

For: Ford 4-1/2" DD Starters
Replaces: Ford C0DF-11082-A, C6VY-11082-B, SC-534; Ref# 2B-4409, ST-215
Lester Nos: 3124, 3131, 3132, 3135, 3149
Dim: 60mm HT x 30mm W
Components:
 68-205 Brush (w/ Clip)
 68-205-1 Brush (wo/ Clip)



59-210

Field Coil

12 Volt, CW Rotation

For: Ford 4-1/2" Solenoid Actuated DD Starters
Replaces: Ford C8VY-11082-A, D3AZ-11082-B, D3AZ-11082-C, SC-405, SC-535; Ref# 2B-4411, ST-220
Lester Nos: 3142
Dim: 60mm HT x 30mm W
Features:
 • Mfd. in Canada



59-212-3

Field Coil

12 Volt, CW Rotation

For: Ford 4-1/2" Mod I, 4-1/2" Mod II DD Starters
Replaces: Ford D7AZ-11082-A, D7AZ-11082-B, D7OZ-11082-A, SC-523, SC-526, SC-528; Ref# 2B-4435, ST-223
Lester Nos: 3152, 3153, 3154, 3155, 3157, 3160, 3165, 3168, 3169, 3172, 3174, 3176
Dim: 60mm HT x 30mm W
Components:
 68-207 Brush (w/ Clip)
 68-207-1 Brush (wo/ Clip)
 71-2301 Grommet
 76-2557 Repair Terminal, Motor (Straight)



59-215
Field Coil

12 Volt, CW Rotation, High Torque

For: Ford 4" Mod II DD Starters w/ Shallow C.E. Cover
Replaces: Ford E6DZ-11082-A, SC-563; Ref# 2B-4481
Dim: 55mm HT x 26mm W
Note: With angled motor terminal
Components:
 68-209 Brush (w/ Clip)
 68-209-1 Brush (wo/ Clip)
 71-2303 Grommet
 76-2560 Repair Terminal, Motor (Angle)
Features:
 • Mfd. in Canada



59-218
Field Coil
12 Volt

For: Ford Early 12V Starters
Replaces: Ref# 2B-4413
Dim: 75mm HT x 28mm W
Features:
 • Mfd. in Canada



59-216-3
Field Coil
12 Volt, CW, High Torque

For: Ford 4" Mod II DD Starters w/ Shallow C.E. Cover
Replaces: Ford E4AZ-11082-A, E4SZ-11082-A, SC-555, SC-559; Ref# 2B-4471, ST-239-HT
Lester Nos: 3133, 3180, 3185, 3189, 3191
Dim: 60mm HT x 30mm W
Note: With straight motor terminal.
Components:
 68-209 Brush (w/ Clip)
 68-209-1 Brush (wo/ Clip)
 71-2303 Grommet
 76-2561 Repair Terminal, Motor (Straight)



59-219
Field Coil
12 Volt, CW Rotation

For: Ford Early DD Starters
Replaces: Ford B6TZ-11083-B; Ref# 2B-4405, ST-210
Dim: 75mm HT x 28mm W
Features:
 • Mfd. in Canada



59-220
Field Coil
12 Volt, CW Rotation

For: Ford 3.0kW OSGR Starters
Used On: (2001) Ford Excursion, Ford F Series Pickup 7.3L
Unit Nos: Ford 1C3U-11000-AA, -AB, -AE; 1C3Z-11002-AA
Lester Nos: 6669
Dim: 47mm HT x 20mm W, 121mm Motor Lead

STARTER - FIELD COILS (59-)

FORD (cont'd.)



59-221

Field Coil

12 Volt, CW Rotation

For: Ford 3.0kW OSGR Starters

Used On: (2005-02) Ford E Series Van, Excursion, F Series Pickup 6.0L, 7.3L

Unit Nos: Ford 2C3T-11000-AA, -AB; 2C3Z-11002-AA, 3C3U-11000-AB, -AC; 3C3Z-11002-AA

Lester Nos: 6669, 6670

Dim: 47mm HT x 20mm W, 53mm Motor Lead



59-2902

Shunt Coil

12 Volt

For: Ford 4" Mod I, 4" Mod II DD Starters

Replaces: Ref# 2B-4451, ST-232-S

Lester Nos: 3179, 3181, 3187, 3188, 3189, 3196, 3198

Dim: 55mm HT x 26mm W

HITACHI



59-8108

Field Coil

12 Volt, CW Rotation

For: Hitachi 2.0kW, 2.2kW OSGR Starters

Used On: Nissan Lift Truck, Thermo King

Unit Nos: Hitachi S13-84; S13-89A, B; S13-92A, S13-94, A, S13-104, S13-111, S13-112

Lester Nos: 17088

WAI Ref. Nos: 2-1734-HI, 2-1776-HI, 2-2014-HI

Dim: 57mm HT x 17mm W

Components:

68-8119 Brush (wo/ Clip)

Features:

- Made in Japan to OE specifications

LUCAS



59-9201

Field Coil

12 Volt, CW Rotation

For: Lucas M50 Series DD Starters

Used On: Ford Tractor

Replaces: Lucas 54267537, TEB105, TEB130;

Ref# 2H-4405, ST-616

Unit Nos: Lucas 26211, 26291, 26338, 26339, 26395

Dim: 75mm HT x 29mm W

1.4 x 26 BSF Motor Terminal

Components:

68-9207 Brush (22.5mm L)



59-9203
Field Coil
12 Volt, CW Rotation

For: Lucas M50 Series DD Starters
Used On: IHC, Massey Ferguson
Replaces: Lucas 54245576, TEB128, TEB129; Ref# 2H-4417, ST-617
Unit Nos: Lucas 26227, 26246, 26265, 26274, 26282, 26294, 26295, 26298, 26304, 26312, 26316, 26323, 26336, 26341, 26342, 26343, 26345, 26349, 26351, 26352, 26357, 26358, 26359, 26363, 26366, 26369, 26376, 26379, 26384, 26388, 26398, 26404, 26407, 26410, 26414, 26416, 26421, 26423, 26428, 26429, 26431, 26433, 26435
Dim: 75mm HT x 29mm W
 1.4 x 26 BSF Motor Terminal
Components:
 68-9206 Brush (24.5mm L)



59-9205
Field Coil
12 Volt, CW Rotation

For: Lucas M127 Series DD Starters
Used On: Ford Tractor
Replaces: Lucas 54268395, TEB142; Ref# 2H-4436, ST-642
Unit Nos: Lucas 27500, 27569
Dim: 75mm HT x 29mm W
 1.4 x 26 BSF Motor Terminal
Components:
 68-9207 Brush (22.5mm L)



59-9206
Field Coil
12 Volt, CW Rotation

For: Lucas M127 Series DD Starters
Used On: Allis-Chalmers, JCB, Perkins
Replaces: Lucas 54268462, TEB144; Ref# 2H-4437, ST-644
Unit Nos: Lucas 27508, 27515, 27516, 27518, 27519, 27528, 27533, 27536, 27539, 27540, 27541, 27543, 27553, 27554, 27556, 27558, 27572, 27575
Dim: 75mm HT x 29mm W
 1.4 x 26 BSF Motor Terminal
Components:
 68-9206 Brush (24.5mm L)



59-9207
Field Coil
12 Volt, CW Rotation

For: Lucas 2M113, M45G Series DD Starters
Used On: (1991-73) Jaguar; Fiatallis, IHC, Lister-Petter
Replaces: Lucas 54259592, TEB132; Ref# 2H-4407, ST-610
Unit Nos: Lucas 26133, 26147, 26152, 26167, 26169, 26173, 26189, 26193, 26206, 26215, 26220, 26236, 26249, 26264, 26268, 26269, 26271, 26275, 26278, 26279, 26283, 26286, 26288, 26301, 26310, 26327, 26346, 26364, 26371, 26375, 26381, 26383, 26390, 26394, 26400, 26412, 26413, 26422, 27405, 27411, 27413, 27417, 27419, 27420, 27426, 27428, 27432, 27433, 27440, 27457, 27458
Lester Nos: 16175, 16660
WAI Ref. Nos: 2-1333-LU, 2-2038-LU
Dim: 75mm HT x 29mm W
Features:
 • Mfd. in Canada

STARTER - FIELD COILS (59-)

LUCAS (cont'd.)



59-92900
Shunt Coil
12 Volt

For: Lucas M50 Series DD Starters

Dim: 75mm HT x 29mm W

Note: Used in 59-9201, 59-9203 field coils

MITSUBISHI



59-8303
Field Coil

12 Volt, CW Rotation

For: Mitsubishi OSGR Starters

Used On: (1994-85) Ford 6.9L, 7.3L (Diesel)

Replaces: Ref# ST-237

Unit Nos: Mitsubishi M3T90071, M3T90072

Lester Nos: 17037

WAI Ref. Nos: 2-1254-MI

Dim: 54mm HT x 20mm W

Note: Includes pole shoe screws and installation instructions. Used w/ 58-83508 pole shoes.

Components:

68-8308 Brush (wo/ Clip)

68-8308-1 Brush (w/ Clip)

85-1506 Pole Shoe Screw

Features:

- Motor terminal installed on flexible lead for ease of installation

MARELLI



59-9304
Field Coil
24 Volt, CW Rotation

For: Marelli 4.0kW DD Starters

Used On: Iveco Equipment

Unit Nos: Marelli 63216731, 63216741

Dim: 88mm HT x 27mm W



59-8303-1
Field Coil

12 Volt, CW Rotation

Same as 59-8303 except...

Note: Includes replacement lead assy., pole shoes and hardware

Features:

- Motor terminal installed on flexible lead for ease of installation



59-8304

Field Coil

12 Volt, CW Rotation

For: Mitsubishi PLGR Starters

Used On: (2000-94) Ford 7.3L (Diesel)

Replaces: Ref# ST-242

Unit Nos: Ford F4PU-11000-AA; F4TZ-11002-A, -B; F5TU-11000-AA, -AB; Mitsubishi M8T50071, M8T50171

Lester Nos: 17577, 17578

WAI Ref. Nos: 2-1747-MI, 2-1748-MI

Dim: 54mm HT x 20mm W

Components:

58-83509 Pole Shoe

68-8308 Brush (wo/ Clip)

68-8308-1 Brush (w/ Clip)

72-83102 Insulator

85-1504 Screw

NIKKO



59-8402

Field Coil

24 Volt, CW Rotation

For: Nikko OSGR Starters

Used On: Komatsu

Unit Nos: Nikko 0-23000-1190, 0-23000-1231, 0-23000-1290, 0-23000-1330

Dim: 70mm HT x 21mm W



59-8403

Field Coil

24 Volt, CW Rotation

For: Nikko 7.5kW OSGR Starters

Used On: Kobelco America, Komatsu

Unit Nos: Nikko 0-23000-6210, -6232, -6250, -6310, -6340, -6341, -6510, -6520, -6523, -6524, -6530, -6531, -6610, -6710, -7000, -7020

WAI Ref. Nos: 2-2018-NK

Dim: 59mm HT x 24mm W



59-8404

Field Coil

24 Volt, CW Rotation

For: Nikko 7.5kW OSGR Starters

Used On: Komatsu

Unit Nos: Nikko 0-23000-3150, 0-23000-3160, 0-23000-3170, 0-23000-3180, 0-23000-3280

Dim: 59mm HT x 24mm W

STARTER - FIELD COILS (59-)

NIPPONDENSO



59-8200-1

Field Coil

12 Volt, CW Rotation

For: Nippondenso 4.0kW DD Starters

Used On: John Deere

Replaces: Ref# ST-778

Unit Nos: Nippondenso 028000-329, -365, -397, -493, -504, -596, -692, -743; 128000-026, -434

Lester Nos: 16641

WAI Ref. Nos: 2-2044-ND

Dim: 99mm HT x 29mm W

M10 x 1.5 Motor Terminal

Note: With shunt wire coming out on left side of shunt coil.

Similar to 59-8204 except 59-8204 w/ shunt wire coming out on right side of shunt coil.



59-8203

Field Coil

12 Volt, CW Rotation

For: Nippondenso 2.5kW OSGR Starters

Used On: (2000-81) Dodge, Toyota; Case, Caterpillar, Cummins, Isuzu Truck, John Deere, Teledyne, Toyota Lift Truck, White, Yanmar

Replaces: Ref# ST-3001

Unit Nos: Nippondenso 028000-500, -549, -556, -566, -588, -606, -641, -656, -664, -678, -687, -688, -754, -773, -780, -807, -840, -849, -863, -884, -977; 128000-021, -054, -055, -056, -079, -097, -178, -225, -227, -248, -303, -312, -408, -409, -410, -411, -509, -530, -560, -704, -829, -950, -997; 228000-062, -161, -195, -229, -371, -494, -581, -647

Lester Nos: 16656, 16658, 16824, 16830, 16981, 16990, 17302, 17362, 17548

WAI Ref. Nos: 2-1037-ND, 2-1047-ND, 2-1526-ND, 2-1726-ND, 2-1731-ND, 2-1739-ND, 2-1750-ND, 2-1752-ND, 2-1753-ND

(cont'd.)

(cont'd.)

Dim: 60mm HT x 21mm W

Components:

68-8207 Brush (wo/ Clip)

68-8207-1 Brush (w/ Clip)

71-82322 Grommet



59-8204

Field Coil

12 Volt, CW Rotation

For: Nippondenso 4.0kW DD Starters

Used On: Hino, John Deere

Unit Nos: Nippondenso 028000-329, 128000-077, 128000-200, 128000-369

Dim: 99mm HT x 29mm W

M10 x 1.5 Motor Terminal

Note: With shunt wire coming out on right side of shunt coil.

Similar to 59-8200-1 except 59-8200-1 w/ shunt wire coming out on left side of shunt coil.

Features:

- Mfd. in Canada



59-8205

Field Coil

12 Volt, CW Rotation

For: Nippondenso 3.0kW OSGR Starters

Used On: (1993-89) Chevrolet, Dodge; GMC Truck, Isuzu Truck

Unit Nos: Nippondenso 128000-049, 128000-247, 128000-422, 128000-491, 128000-537, 128000-551, 128000-562, 128000-572, 228000-331, 228000-332, 228000-573, 228000-585, 228000-7001

Lester Nos: 16881, 17215

WAI Ref. Nos: 2-1397-ND, 2-1745-ND, 2-2122-ND

Dim: 71mm HT x 22mm W

Components:

71-82314 Grommet



59-8206

Field Coil

12 Volt, CW Rotation

For: Nippondenso 2.0kW OSGR Starters
Used On: (1995-90) Lexus; Thermo King
Replaces: Ref# ST-3002
Unit Nos: Nippondenso 028000-774, 028000-813, 128000-057, 128000-228, 128000-738
Lester Nos: 17189
WAI Ref. Nos: 2-1075-ND, 2-1744-ND
Dim: 60mm HT x 20mm W
Components:
 68-8208 Brush (wo/ Clip)
 68-8208-1 Brush (w/ Clip)
 71-82307 Grommet



59-8208

Field Coil

24 Volt, CW Rotation

For: Nippondenso 4.5kW OSGR Starters
Used On: Toyota Lift Truck
Unit Nos: Nippondenso 028000-586, 028000-601, 028000-634, 028000-745, 028000-781, 028000-856
Lester Nos: 16614
WAI Ref. Nos: 2-1754-ND, 2-2106-ND
Dim: 60mm HT x 21mm W
Components:
 68-8207 Brush (wo/ Clip)
 68-8207-1 Brush (w/ Clip)
 71-82322 Grommet



59-8207

Field Coil

24 Volt, CW Rotation

For: Nippondenso 5.5kW OSGR Starters
Used On: Case, Caterpillar, Isuzu
Unit Nos: Nippondenso 128000-245, 128000-256, 128000-274, 128000-573
Lester Nos: 17391
WAI Ref. Nos: 2-1751-ND
Dim: 69mm HT x 22mm W
Components:
 71-82314 Grommet



59-8209

Field Coil

12 Volt, CW, CCW Rotation

For: Nippondenso 1.4kW OSGR Starters
Used On: (1983-75) Honda, Subaru, Toyota; John Deere, Thermo King, Yanmar
Unit Nos: Nippondenso 028000-420, 028000-425, 028000-434, 028000-473, 028000-495, 028000-499, 028000-506, 028000-539, 028000-573, 028000-580, 028000-604, 028000-614, 028000-625, 028000-655, 028000-671, 028000-738, 028000-825, 028000-857, 128000-147
Lester Nos: 16236, 16586, 16600, 16672, 16696, 16759, 16760, 17169
WAI Ref. Nos: 2-1007-ND, 2-1026-ND, 2-1029-ND, 2-1036-ND, 2-1206-ND, 2-1742-ND
Dim: 66mm HT x 16mm W
Components:
 68-8200 Brush (wo/ Clip)
 68-8212 Brush (w/ Clip)
Features:
 • Mfd. in Canada

STARTER - FIELD COILS (59-)

NIPPONDENSO (cont'd.)



59-8210

Field Coil

12 Volt, CW Rotation

For: Nippondenso 4.0kW DD Starters

Used On: Case, Cummins, Hino, IHC, John Deere, Kubota

Unit Nos: Nippondenso 128000-533, 128000-591, 128000-597, 128000-723, 128000-725, 128000-757, 128000-969, 128000-980, 228000-010, 228000-136, 228000-138, 228000-139, 228000-140, 228000-236, 228000-237, 228000-469

WAI Ref. Nos: 2-1763-ND, 2-2043-ND

Dim: 86mm HT x 36mm W

Features:

- Mfd. in Canada



59-8211

Field Coil

12 Volt, CW Rotation

For: Nippondenso 2.5kW DD Starters

Used On: John Deere

Unit Nos: Nippondenso 028000-393, 028000-592

Lester Nos: 16643

WAI Ref. Nos: 2-2028-ND

Dim: 72mm HT x 28mm W

Features:

- Mfd. in Canada

PRESTOLITE



59-600

Field Coil

12 Volt, CW Rotation

For: Prestolite MDY Series DD Starters

Used On: Thermo King

Replaces: Prestolite 20-55, MDY-1005AS; Thermo King 44-3437; Ref# 2D-4411, ST-104

Unit Nos: Prestolite 46-2015, MDY-7029, MDY-7039, MDY-7039S, MDY-7045, MDY-7045A, MDY-7048, MDY-7051, MDY-7054; MEO-7005; Thermo King 45-267

Dim: 65mm HT x 31mm W

Features:

- Mfd. in Canada



59-601

Field Coil

12 Volt

For: Prestolite MDV Series DD Starters

Replaces: Prestolite 20-54, MDU-1005AS; Ref# 2D-4409

Unit Nos: Prestolite 46-135, 46-249, MDU-7013, MDU-7017

Dim: 65mm HT x 31mm W

Features:

- Mfd. in Canada



59-602

Field Coil

12 Volt

For: Prestolite MBG Series Starters

Replaces: Prestolite 20-585, MBG-3005-AS, MBG-3005-BS, MBG-3005-S; Ref# 2D-4413, ST-48

Unit Nos: Prestolite 46-911, MBG-4124, MBG-4141

Dim: 54mm HT x 31mm W

Features:

- Mfd. in Canada



59-603
Field Coil
12 Volt

For: Prestolite MDT Series DD Starters
Used On: Chrysler, Chrysler Marine, Flagship Marine
Replaces: Prestolite 20-65, MDT-2005AS; Ref# 2D-4460
Unit Nos: Prestolite MDT-7010, MDT-7014, MDT-7019, MDT-7022
Dim: 64mm HT x 31mm W



59-604
Field Coil
12 Volt, CCW Rotation

For: Prestolite MGL Series Starters
Used On: Chrysler Marine, Mercury Marine, OMC Outboard Motors
Replaces: Prestolite 20-465, MGL-1005S; Ref# ST-136
Unit Nos: Mercury Marine 50-37274, 50-45822, 50-48643, 50-53261, 50-53262, 50-57867, 50-58788, 50-67341; OMC, 384914, 389380; Prestolite MGL-4001B, MGL-4002A, MGL-4006, MGL-4008, MGL-4009, MGL-4010, MGL-4012B, MGL-4013, MGL-4014, MGL-4108, MGL-4109
Lester Nos: 5268, 5285, 5297, 5299, 5397, 5733, 5735
WAI Ref. Nos: 2-2157

STARTER - FIELD COILS (59-)

--	--

STARTER - FIELD CASES & FIELD COILS

BOSCH



52-9100
C.E. Frame

For: Bosch 362, 363, 366, 367, 368, 369 Series DD Starters

Used On: (1987-74) Audi, Mercedes, Peugeot, Volvo; Caterpillar, Deutz, Ford Tractor, Iveco, JCB, John Deere, Mack, Magirus, Ravo Corp., Volvo White-GMC

Replaces: Bosch 2-005-854-094, -100, -110, -195

Unit Nos: Bosch 0-001-362-020, -034 to -042, -045, -046, -047, -049 to -053, -057 to -064, -069 to -079, -081, -083, -085, -090, -093, -300, -301, -303, -304, -305, -310, -312, -314, -321, -322, -324, -600, -602; 0-001-363-103 to -107, -109, -111, -113, -116, -117; 0-001-366-001 to -006, -008 to -022, -024 to -029; 0-001-367-001 to -016, -018, -021 to -025, -027 to -030, -032, -034, -036, -039, -042, -044, -045, -046, -048, -050, -052, -054, -055, -056, -062, -063, -069, -070, -072, -075, -076, -078, -300, -302; 0-001-368-005, -009, -012, -013, -018 to -021, -024, -027, -028, -030, -034, -036, -038, -040, -055, -059, -063, -069, -071, -085, -300; 0-001-369-001 to -006, -014, -015, -020, -022, -023, -024

Lester Nos: 16445, 16615, 16715, 16752, 16753, 16754, 16949, 16957

Components:
62-91502 Bushing



52-9101
C.E. Frame

For: Bosch 410, 411, 413, 414, 415, 416, 417, 418 Series DD Starters

Used On: Clark, KHD, MAN, Mercedes-Benz Truck, Volvo White-GMC

Replaces: Bosch 2-005-855-076, -110, -165

Unit Nos: Bosch 0-001-410-015, -016, -021, -029, -032, -034, -035, -041, -043, -044, -045, -046, -052, -053, -058, -062, -063, -065, -067, -078, -081, -088, -090, -094, -097, -098, -102, -106, -111, -115; 0-001-411-005, -009, -012, -014, -015, -016, -017, -021, -036; 0-001-413-001, -006, -010, -018; 0-001-414-003, -008, -009, -010, -015, -016, -018, -019, -022; 0-001-415-001, -002, -006, -007, -010, -011, -013, -017, -023; 0-001-416-002, -003, -004, -005, -009, -013, -017, -022, -023, -024, -026, -029, -030, -046, -059; 0-001-417-001, -016, -017, -025; 0-001-418-005, -010; 9-000-084-012, -024

CHRYSLER



52-300
End Frame

For: Chrysler 1.5 HP, 1.8 HP OSGR Starters

Replaces: Chrysler 2095076

Unit Nos: Chrysler 2095150, 2098500, 2875560, 3656575, 3656650, 3755250, 3755900, 4091950, 4091975, 4111855, 4111860, 4145359, 4145360

Lester Nos: 3250, 3257, 3258

Components:
62-3700 Bushing
76-3801 Felt Pad

DELCO

5MT, SD200-SD260 Series



52-100
C.E. Frame

For: Delco 5MT, SD200, SD205, SD210 Series DD Starters

Used On: (1998-81) AMC, Buick, Cadillac, Chevrolet, GMC, Isuzu, Jeep, Oldsmobile, Pontiac

Replaces: Delco 1978292, D4310

Unit Nos: Delco 1109527, 531, 532, 533, 534, 535, 537, 538, 544, 546, 551, 556, 560, 561, 562, 564; 1998422, 427, 428, 429, 430, 431, 434, 445, 447, 448, 449, 450, 451, 453, 466, 476, 477, 482, 502, 503, 504, 509, 511, 512, 514, 515, 523, 524, 525, 526, 527, 528, 529, 530, 531, 532, 533, 534, 535, 536, 546, 547, 548; 10455004, 007, 010, 011, 016, 017, 018, 019, 020, 021, 022, 023, 025, 026, 044, 048, 049, 052, 053, 054, 055, 060, 069, 073, 074, 080, 081; 24507410

Lester Nos: 3507, 3510M, 3552, 3553, 3564, 3565, 3569, 3571, 6307, 6308, 6309, 6310, 6311, 6312, 6313, 6315, 6316, 6318, 6319, 6324, 6327, 6330, 6331, 6413, 6415, 6419, 6424, 6473

Components:
62-1402 Bushing (12.01mm ID)



52-101
C.E. Frame

For: Delco 5MT, SD200 Series DD Starters

Used On: (1981-77) AMC, Buick, Chevrolet, GMC, Jeep, Oldsmobile, Pontiac

Replaces: Delco 1893273, D4306

Unit Nos: Delco 1109521, 1109522, 1109523, 1109524, 1109526, 1109528, 1109530

Lester Nos: 3502, 3503, 3504, 3535, 3562, 3563

Components:
62-1501 Bushing (14.33mm ID)

STARTER - FRAMES, C.E. (52-)

DELCO

5MT, SD200-SD260 Series (cont'd.)



52-118

C.E. Frame

For: Delco 5MT, SD250, SD255, SD260 Series DD Starters

Used On: (2000-86) Buick, Cadillac, Chevrolet, GMC, Oldsmobile, Pontiac

Replaces: Delco 10467598*, 10496330, D4313, D4321*

Unit Nos: Delco 1998521, 542, 544, 550; 10455001, 006, 008, 009, 012, 013, 015, 024, 042, 045, 046, 047, 050, 051, 058, 061, 064, 065, 066, 067, 070, 071, 072, 076, 078, 084; 24507409

Lester Nos: 6339, 6413, 6416, 6418, 6424, 6426, 6474, 6475, 6476, 6483

Note: With 23mm deep bearing well.

*Also replaces C.E. frame w/ 18mm deep bearing well.

Components:

8-118 Needle Bearing (11mm ID)

52-103-1

C.E. Frame

Same as 52-103 except...

Features:

- Zinc yellow dichromate



52-104

C.E. Frame

For: Delco 22MT*, 27MT* Series DD; 15GR Series OSGR Starters

Used On: (1989-80) Buick, Cadillac, Chevrolet, Ford, GMC, Oldsmobile, Pontiac

Replaces: Delco 1986464, D4309, D4312

Unit Nos: Delco 1109216, 218, 219, 495, 563; 1113589, 590, 591, 593, 594, 596, 597, 598, 599, 600; 1998276, 287, 330, 331, 332, 333, 334, 335, 336, 337, 338, 339, 340, 341, 342, 343, 344, 345, 346, 347, 348, 349, 350, 351, 352, 353, 354, 355, 356, 357, 358, 359, 360, 361, 362, 363, 364, 365, 366, 367, 368, 370, 371, 373, 374, 375, 376, 377, 378, 379, 380, 381, 383, 384, 385, 386, 387, 388, 389, 390, 394, 401, 408, 409, 418, 423, 426, 442, 454, 455, 456, 457, 459, 463, 464, 468, 479, 480, 481, 484, 486, 488, 489, 490, 496, 498, 505, 506, 507, 508, 519, 522, 552, 553, 554; 1045550

Lester Nos: 3300, 3725, 3741, 3742, 3764, 6305, 6343

Dim: 4-1/2" OD

Note: *For starters w/ straight field case

Components: 62-1501 Bushing

(cont'd.)

Unit Nos: 1107185, 213, 218, 249, 253, 254, 261, 268, 279, 297, 336, 359, 369, 370, 383, 477, 506, 508-529, 531-546, 548-551, 553-557, 561, 564, 565, 567-571, 573-578, 580, 581, 582, 584-589, 591, 592, 593, 598, 599, 600, 611, 689, 698, 699, 701, 721, 733, 742, 752, 760, 761, 767, 778, 779, 794, 853, 854, 855, 857, 859, 860, 863, 866-873, 875, 884, 887, 894, 897, 898; 1108092, 197-200, 223, 258, 332, 341, 345, 347, 350, 355, 357, 359, 363, 364, 369, 370, 372, 415, 424, 688, 691-694, 696, 697, 698, 700; 1109051, 089, 140-142, 144-147, 149, 186-190, 192, 194, 196-199, 208, 209, 210, 261-272, 499, 540-543, 547, 548, 939; 1113041, 061; 1114605, 607; 1998265, 402, 403, 446

Lester Nos: 3551, 3627, 3633, 3635, 3649, 3664, 4189, 4199, 4208, 4227, 4349, 4509

Dim: 4-3/16" OD

Note: *For Delco 20-27MT series w/ step-down field case

Components:

62-1505 Bushing



52-122

C.E. Frame

For: Delco 25MT*, 27MT* Series DD Starters

Replaces: Delco 1876364

Unit Nos: Delco 1109193, 217, 251, 252, 253, 255, 256, 257, 258, 259, 260, 496, 500, 539, 550, 559, 565, 566, 567; 1998465

Lester Nos: 3300, 3633, 3664

Dim: 4-1/2" OD

Note: *For starters w/ straight field case

Components:

62-1505 Bushing

10MT, 20-27MT, SD300 Series



52-103

C.E. Frame

For: Delco 10MT, 20MT*, 25MT*, SD300 Series DD Starters

Used On: (1994-73) Buick, Cadillac, Chevrolet, GMC, Oldsmobile, Pontiac

Replaces: Delco 1928966, 1974157, D4307

Lester Nos: 3505, 3508, 3508M, 3510, 3510M, 3524, 3533, 3551, 3554, 3556, 3557, 3560, 3561, 3601, 3627, 3629, 3630, 3631, 3633, 3635, 3636, 3637, 3649, 3656, 3664, 3675, 3676, 3681, 3682, 3685, 3686, 3688, 3689, 3691, 3696, 3725, 3733, 3800, 3838, 4038, 4149, 4151, 4162, 4174, 4208, 4227, 4263, 4339, 4344, 4347, 4349, 4430, 6303, 6304, 6305, 6376

Dim: 4-1/8" OD

Note: *For starters w/ step-down field case

Components:

62-1501 Bushing



52-121

C.E. Frame

For: Delco 10MT, 20MT*, 25MT*, SD300 Series DD Starters

Used On: Allis-Chalmers, Caterpillar, Hyster, Massey Ferguson

Replaces: Delco 1940385, D4303

(cont'd.)

STARTER - FRAMES, C.E. (52-)

28MT Series	30MT, 35MT Series	37MT, 41MT Series
 <p>52-8400 C.E. Frame</p> <p>For: Delco 28MT Series OSGR Starters Used On: (2002-89) Chevrolet, GMC Replaces: Delco 10456467 Unit Nos: Delco 1113269, 1113270, 1113295, 1113296, 10479611 Lester Nos: 6468, 6469 Note: With 1/4 -20 mtg. stud</p>	 <p>52-106 C.E. Frame</p> <p>For: Delco 30MT, 35MT Series External Rotatable DD Starters Replaces: Delco 1851975, 1891925 Unit Nos: Delco 1113216, 217, 218, 222, 228, 229, 231, 232, 233, 234, 235, 236, 237, 242, 243, 244, 245, 246, 248, 250, 253, 254, 256, 257, 258, 259, 261, 262, 263, 391, 398, 400, 403, 405, 406, 407, 414, 416, 417, 418, 420, 421, 422, 424, 426, 428, 431, 432, 433, 436, 439, 441, 442, 444, 445, 446, 473, 475, 476, 479, 481, 486, 494, 495, 496, 498, 499, 500, 533, 534, 535, 536, 541, 543, 584, 587 Components: 62-1505 Bushing</p>	 <p>52-110 C.E. Frame</p> <p>For: Delco 37MT Series, 12V DD Starters Replaces: Delco 1985315 Unit Nos: Delco 1990308, 309, 310, 311, 312, 313, 315, 316, 317, 318, 319, 320, 321, 322, 326, 327, 336, 341, 347, 498; 1993705, 709, 712, 713, 719, 726, 728, 736, 737, 738, 745, 746, 754, 755, 756, 759, 761, 762, 763, 764, 765, 767, 768, 769, 770, 778, 787, 789, 790, 791, 792, 793, 794, 799, 800, 817, 818, 819, 832, 837, 865 Note: Early type w/ 'cutout' for field coil terminal Components: 62-1504 Bushing 76-1825 Plug 76-1826 Oil Wick</p>
 <p>52-8401 C.E. Frame</p> <p>For: Delco 28MT Series OSGR Starters Used On: Allis-Chalmers, Bluebird, Champion Motor Coach, Clark, Consolidated Diesel, Cummins, DMT Corp, Detroit Diesel, Deutz, Deutz-Allis, Dresser Construction, Ford New Holland, Ford Truck, Freightliner, Hough International, Hyster, IHC, Jacobsen, John Deere, Lincoln Electric, Lister-Petter, Mack, Massey Ferguson, Melroe, Miller Electric, Oshkosh, Perkins, RVI, Teledyne Continental, Toro, Versatile, Waukesha, White Replaces: Delco 10457036 Unit Nos: Delco 1113271, 272, 273, 274, 275, 276, 277, 278, 279, 280, 281, 282, 283, 284, 285, 286, 287, 288, 289, 290, 291, 292, 297; 10479600, 9604, 9605, 9606, 9607, 9608, 9612, 9613, 9614, 9615, 9616, 9617, 9618, 9619, 9620, 9628, 9629, 9630 Lester Nos: 6573, 6577, 6585, 6595, 6601</p>	 <p>52-108 C.E. Frame</p> <p>For: Delco 30MT, 35MT Series Internal Rotatable DD Starters Replaces: Delco 1945617, 1946555, 1966265, 1967224, D4304 Unit Nos: Delco 1113059, 089, 090, 100, 101, 103, 105, 111, 112, 113, 114, 115, 117, 118, 119, 121, 123, 124, 132, 136, 137, 138, 139, 142, 148, 149, 150, 152, 153, 154, 155, 156, 157, 159, 160, 161, 162, 163, 164, 167, 168, 169, 171, 172, 173, 174, 176, 177, 178, 179, 180, 182, 183, 184, 185, 190, 191, 192, 193, 194, 195, 196, 197, 200, 201, 202, 203, 205, 208, 209, 210, 212, 213, 215, 219, 220, 223, 225, 367, 368, 373, 376, 377, 380, 381, 383, 402, 409, 626, 633, 634, 635, 636, 637, 639, 640, 641, 642, 644, 646, 647, 648, 650, 651, 652, 653, 654, 655, 656, 657, 659, 660, 661, 662, 663, 665, 667, 668, 672, 673, 676, 680, 683, 685, 688, 690, 695, 696, 697; 1114661, 662, 671, 672 Components: 62-1505 Bushing 76-1831 Oil Wick</p>	 <p>52-124 C.E. Frame</p> <p>For: Delco 37MT, 41MT Series DD Starters Replaces: Delco 10468709, D3339 Unit Nos: Delco 1993850, 851, 853, 854, 855, 869, 871, 873, 874, 878, 879, 880, 881, 883, 884, 885, 886, 891, 893, 894, 898, 901, 902, 903, 905, 909, 910, 911, 914, 917, 918, 920, 921, 926, 928, 931, 950, 951, 953, 954, 955, 956, 957, 958, 967, 972, 979, 981, 986, 988, 992, 994, 995; 10478805, 811, 812, 814, 817, 818, 819, 831, 925, 926, 928, 957; 10479015, 034, 054, 071, 098, 102, 139, 165, 175, 186 Note: 52-124 is similar to 52-131 except 52-131 has 11/16" C.E. terminal hole. Components: 62-1504 Bushing 76-1825 Plug 76-1834 Oil Wick</p>

STARTER - FRAMES (C.E., C.S., D.E.)

STARTER - FRAMES, C.E. (52-)

DELCO

37MT, 41MT Series (cont'd.)



52-131

C.E. Frame

For: Delco 37MT, 41MT Series DD Starters

Replaces: Delco 10470142, D4318

Unit Nos: Delco 1993963, 964, 965, 966, 969, 970; 10478806, 825, 826, 890, 897, 898, 927, 929, 930, 949, 960, 961, 976, 999; 10479013, 014, 016, 020, 023, 024, 035, 036, 060, 068, 172, 174, 195

Lester Nos: 6297, 6400, 6505, 6506, 6633, 6635

Note: With 11/16" C.E. terminal hole. 52-131 is similar to 52-124 except 52-124 does not have C.E. terminal hole.

Components:
62-1504 Bushing
76-1825 Plug
76-1834 Oil Wick

40MT Series



52-111

C.E. Frame

For: Delco 40MT Series DD Starters

Replaces: Delco 1945514, 1945515, 1945960, 1948518, 1949611, 1951073

Unit Nos: Delco 1113818, 820, 824, 825, 827, 830-832, 840, 842, 845, 846, 849, 850-853, 855-859, 864-867, 870-884, 887-889, 892, 895, 898, 899, 900, 902, 905-911, 914, -918, 920, 921, 926-928, 931, 935-942, 945, 947, 948, 950-984, 986, 988, 990-995, 997, 999; 1114047, 051, 052, 054-059, 061-088, 090-107, 109-117, 119-122, 124, 126-130, 132-141, 143-199, 657, 660, 665, 666, 668, 682, 687, 688, 700-703, 705-715, 718-731, 733-763, 766, 767, 769-773, 775-779, 781, 783-793, 796-801, 803-836, 839-870, 873-953, 955-979, 982, 984-997, 999; 1990200-202, 205, 206, 208-224, 279, 280, 296, 297, 299, 300, 302-304, 307, 324, 325, 328, 329, 335, 339, 340, 342, 343, 346, 481, 482; 1993700, 703, 704

Components:
62-1503 Bushing
76-1835 Oil Wick
76-1838 Plug

(cont'd.)

Unit Nos: Delco 1990337, 344, 348, 349, 350, 352-359, 361-383, 385-389, 391, 393-398, 400-408, 411, 41-416, 418-424, 427-432, 434-439, 442, 446-448, 450-460, 462-464, 466, 468-471, 473-475, 477, 478, 483-487, 489-497; 1993772, 774, 775, 776, 782-786, 788, 795, 796, 801-808, 810-816, 820, 822, 824, 826-828, 833, 835, 842, 849, 856, 863, 923, 924, 925, 933-945, 961, 973, 975, 977, 980, 982-984, 987, 993, 996, 998, 999; 10478801, 802, 803, 809, 810, 816, 820, 824, 832, 833, 836, 839, 892, 893-896, 918, 931-944, 946, 947, 948, 951, 952, 962, 964-968, 971, 977, 978-981, 983-992, 996-998; 10479000, 003-012, 017-019, 021, 022, 026-028, 030, 037, 038, 040, 041, 052, 053, 062-065, 067, 072, 078, 080-082, 090, 091, 092, 164, 168, 182

Note: Thermostat location is indexed for drilling 13/16" hole

Components:
62-1504 Bushing
76-1825 Plug
76-1834 Oil Wick

39MT Series



52-148

C.E. Frame

For: Delco 39MT Series PLGR Starters

Replaces: Delco 10511780

Unit Nos: Delco 8200037, 19011514, 19011516, 19011517, 19011518, 19011522, 19011523, 19011524, 19011530, 19011531

Lester Nos: 6802, 6804, 6805, 6806, 6812, 6813, 6814, 6818, 6819, 6853

42MT Series



52-117

C.E. Frame

For: Delco 42MT Series DD Starters

Replaces: Delco 1988126, 10495156, 10496573

(cont'd.)

50MT Series



52-114

C.E. Frame

For: Delco 50MT Series, CW Rotation DD Starters

Replaces: Delco 1945847, 1945848, 1953227

Unit Nos: Delco 1109222, 224, 275-292, 294, 295, 296, 298, 299, 493, 494, 497, 545, 553-555, 624, 625, 627-633, 635, 637, 638, 640-647, 649, 755, 757-759, 768, 769, 771-777, 779-781, 788-798, 831-842, 844-849, 961, 963, 965, 966, 968-971, 973, 974, 977-980, 983-986, 988, 989, 996, 998, 999, 1114663, 1114680, 1114689, 225-235, 237-241, 243, 244, 246-251, 253-264, 266-278, 291, 298, 333; 1993708, 739, 740, 743, 753, 781, 798, 847, 852, 859, 860, 864, 922, 959, 960, 968, 989; 10478800, 807, 808, 813, 827-830, 843-846, 848, 849, 850, 852, 853, 855, 856, 858-871, 873, 876, 877, 879-883, 885, 887, 888, 903, 905-912, 915, 916, 917, 919; 10479001, 050, 137, 138, 144, 145

Components:
62-1601 Bushing
76-1835 Oil Wick
76-1838 Plug

PG150, PG260F1, PG260F2 Series



52-132

C.E. Frame

For: Delco PG150, PG150S, PG260F1 Series PMGR Starters

Used On: (2001-89) Buick, Chevrolet, GMC, Isuzu, Mercury Marine, Oldsmobile, Pontiac, Saturn

Replaces: Delco 10468555

Unit Nos: Delco 9000785, 9000833, 9000839, 9000840, 9000847, 9000859, 21020761

Lester Nos: 6401, 6445, 6481

WAI Ref. Nos: 2-1467-DR, 2-1810-DR, 2-1814-DR, 2-1999-DR



52-133

C.E. Frame

For: Delco PG260F2 Series PMGR Starters

Used On: (2001-97) Buick, Chevrolet, Oldsmobile, Pontiac

Unit Nos: Delco 9000836, 9000857, 24506694

Lester Nos: 6484

WAI Ref. Nos: 2-1922-DR

Note: Similar to 52-135 except position of drain hole

Components:

62-1302 Bushing



52-135

C.E. Frame

For: Delco PG260F2 Series PMGR Starters

Used On: (2001-98) Chevrolet, GMC, Isuzu, Oldsmobile

Unit Nos: Delco 9000841, 9000854, 9000858

Lester Nos: 6485, 6488

WAI Ref. Nos: 2-1954-DR, 2-2054-DR

Note: Similar to 52-133 except position of drain hole.

PG260D Series



52-138

C.E. Frame

For: Delco PG260D Series PMGR Starters

Used On: (2005-01) Buick, Chevrolet, GMC, Nissan, Oldsmobile, Pontiac, Saturn

Unit Nos: Delco 8000058, 9000856, 9000868, 9000901, 9000908, 9000933, 9000951, 9000977, 10455504, 12563764, 12564089, 12570255, 12575083, 12579131, 12587865, 12593764, 89017523

Lester Nos: 6491, 6493, 6749

WAI Ref. Nos: 2-2110-DR, 2-2144-DR, 2-2359-DR

Dim: 64mm OD

Components:

62-1202 Bushing

PG260G Series



52-139

C.E. Frame

For: Delco PG260G Series PMGR Starters

Used On: (2004-01) Cadillac, Chevrolet, GMC, Isuzu, Oldsmobile

Unit Nos: Delco 9000871, 9000873, 9000910, 9000925, 12563719, 12564107, 12564111, 12572716, 12573853; Isuzu 8-10465-561-0

Lester Nos: 6485, 6489

WAI Ref. Nos: 2-2112-DR, 2-2211-DR

Dim: 73mm OD

Note: Used w/ M4 brush holder mtg. screws.

Components:

62-1308 Bushing



52-142

C.E. Frame

For: Delco PG260G Series PMGR Starters

Used On: (2004) Chevrolet, GMC

Unit Nos: Delco / GM 9000964, 9000973, 12583114, 12586040

Lester Nos: 6485

WAI Ref. Nos: 2-2112-DR

Dim: 73mm OD

Note: Used w/ M5 brush holder mtg. screws.

Components:

62-1306 Bushing

STARTER - FRAMES, C.E. (52-)

DELCO

PG260G Series (cont'd.)



52-143

C.E. Frame

For: Delco PG260G Series PMGR Starters

Used On: (2003-01) Buick, Chevrolet, Pontiac; Mercury Marine, Volvo-Penta Marine

Unit Nos: Delco / GM 9000872, 9000884, 12563718;

Mercury Marine 50-863007A1; Volvo-Penta 3860566, 3860566-3

Lester Nos: 6484, 6792

WAI Ref. Nos: 2-1999-DR

Dim: 73mm OD

Note: Used w/ M4 brush holder mtg. screws.

Components:

62-1308 Bushing



52-141

C.E. Frame

For: Delco PG260L Series PMGR Starters

Used On: (2005-01) AM General, Cadillac, Chevrolet, GMC, Isuzu, Oldsmobile, Pontiac

Unit Nos: Delco / GM 8000052, 8000061, 9000875, 9000878, 9000879, 9000880, 9000885, 9000895, 9000926, 9000927, 9000931, 9000962, 12563863, 12564108, 12564109, 12564110, 12570823, 12573852, 12574145, 12574859, 12583115, 12592295, 12593688; Isuzu 8-10465-582-0

Lester Nos: 6449, 6482, 6490, 6492

WAI Ref. Nos: 2-2141-DR, 2-2142-DR, 2-2143-DR, 2-2200-DR, 2-2322-DR, 2-2323-DR, 2-2344-DR

Dim: 74mm OD

Note: 52-140 & 52-141 are similar but not interchangeable due to the location of the thru bolt holes

Components:

62-1306 Bushing

(cont'd.)

Components:

62-1302 Bushing

76-1112 Cover

Features:

- Zinc-yellow plated



52-128

C.E. Frame

For: Delco PG260M Series PMGR Starters

Used On: (2001-95) Buick, Chevrolet, Oldsmobile, Pontiac

Replaces: Delco 10476907

Unit Nos: Delco 9000804, 9000806, 9000861, 9000863

Lester Nos: 6472, 6480

WAI Ref. Nos: 2-1688-DR, 2-1819-DR

Note: With drain tube hole.

Components:

62-1302 Bushing

76-1112 Cover

PG260L Series



52-140

C.E. Frame

For: Delco PG260L Series PMGR Starters

Used On: (2005-01) Buick, Cadillac, Chevrolet, GMC, Isuzu, Oldsmobile, Pontiac

Unit Nos: Delco / GM 9000874, 9000876, 9000881, 9000882, 9000896, 9000904, 9000966, 9000979, 12563916, 12563919, 12567398, 12571039, 12572141, 12574832, 12584048, 12588785, 15749578; Isuzu 8-89017-414-0,

Lester Nos: 6471, 6472, 6480, 6490

WAI Ref. Nos: 2-2113-DR, 2-2114-DR, 2-2140-DR, 2-2141-DR,

Dim: 74mm OD

Note: 52-140 & 52-141 are similar but not interchangeable due to the location of the thru bolt holes

Components:

62-1306 Bushing

PG260M Series



52-127

C.E. Frame

For: Delco PG260M Series PMGR Starters

Used On: (2002-94) Buick, Cadillac, Chevrolet, Chevrolet Truck, GMC, GMC Truck, Isuzu, Oldsmobile, Pontiac

Unit Nos: Delco 9000786, 9000798, 9000834, 9000851, 9000853, 9000860, 9000866, 9000899

Lester Nos: 6449, 6470, 6482

WAI Ref. Nos: 2-1689-DR, 2-1690-DR, 2-1811-DR, 2-2095-DR

Note: With drain tube hole.

Similar to 52-130 except 52-130

wo/ drain tube hole.

(cont'd.)



52-129

C.E. Frame

For: Delco PG260M Series PMGR Starters

Used On: (2000-95) Cadillac, Oldsmobile

Replaces: Delco 10476647

Unit Nos: Delco 9000805, 9000862

Lester Nos: 6471

WAI Ref. Nos: 2-1692-DR

Note: With drain tube hole.

Components:

62-1302 Bushing

76-1112 Cover



52-130
C.E. Frame

For: Delco PG260M Series PMGR Starters
Used On: Mercury Marine
Replaces: Delco 10477932
Unit Nos: Delco 9000819, 9000820, 9000821, 9000822, 9000867
Lester Nos: 6449, 6470
WAI Ref. Nos: 2-1691-DR, 2-1758-DR, 2-1759-DR, 2-1760-DR
Note: Without drain tube hole. Similar to 52-127 except 52-127 w/ drain tube hole.
Components:
 62-1302 Bushing
 76-1112 Cover



52-134
C.E. Frame

For: Delco PG260M Series PMGR Starters
Used On: (1996) Chevrolet Truck, GMC Truck
Unit Nos: Delco 9000812, 9000864
Lester Nos: 6452
WAI Ref. Nos: 2-1912-DR
Components:
 62-1302 Bushing
 76-1112 Cover



52-136
C.E. Frame

For: Delco PG260M Series PMGR Starters
Used On: (2001-99) Oldsmobile
Unit Nos: Delco 9000827, 9000865, 9000900
Lester Nos: 6486
WAI Ref. Nos: 2-1965-DR

FORD



52-200
C.E. Frame

For: Ford 4" Mod II DD Starters
Used On: (1991-80) AMC, Ford, Jeep, Lincoln, Mercury, Merkur
Replaces: Ford E3SZ-11049-A, E4AZ-11049-A, SH-205, SH-206
Unit Nos: Ford E47F-11001-BA, E4AF-11001-AA, E4DF-11001-AA, E4DF-11001-BA, E4DZ-11002-B, E4TF-11001-AA, E4TZ-11002-A, E4TZ-11002-B, E7ZF-11001-AA, E7ZZ-11002-A, SA-734-B, SA-738-A, SA-742-A, SA-765
Lester Nos: 3133, 3180, 3185, 3191
Note: Shallow cover w/ straight terminal bracket
Components:
 62-2604 Bushing



52-205
C.E. Frame

For: Ford 4" Mod II DD Starters
Used On: (1984-81) Ford, Mercury
Replaces: Ford E2BZ-11049-A, SH-195
Unit Nos: Ford E25F-11001-AA, E25Z-11002-A, E2BF-11001-AA, E2BZ-11002-A, E37F-11001-AA, E3AF-11001-AA, E3AZ-11002-A, E3TF-11001-AA, E3TZ-11002-A, E3TZ-11002-D, E4SF-11001-AA, SA-738, SA-742
Lester Nos: 3175, 3180, 3185, 3191
Note: Deep cover w/ straight terminal bracket
Components:
 62-2604 Bushing



52-206
C.E. Frame

For: Ford 4" Mod II DD Starters
Used On: (1991-83) Ford, Lincoln, Mercury
Replaces: Ford E4TZ-11049-A, E6DZ-11049-A, SH-210, SH-213
Unit Nos: Ford E3EF-11001-AA, E3FZ-11002-A, E3TZ-11002-E, E43F-11001-AA, E43Z-11002-A, E47F-11001-AA, E4EF-11001-BA; E69F-11001-AA, E69Z-11002-A, E6DF-11001-AA, -BA; E6DZ-11002-A, -B, -C; E6EF-11001-AA, E6FZ-11002-A, E7DF-11001-AA, E8DF-11001-AA, E8DZ-11002-A, SA-741, SA-743, SA-746, SA-752, SA-754, SA-755, SA-759, SA-760, SA-767
Lester Nos: 3181, 3187, 3188, 3189, 3196, 3198
Note: Shallow cover w/ angle terminal bracket
Components:
 62-2604 Bushing

STARTER - FRAMES, C.E. (52-)

FORD (cont'd.)



52-207

C.E. Frame

For: Ford 4-1/2" DD Starters

Used On: (1977-73) AMC, Ford, Jeep, Lincoln, Mercury

Replaces: Ford C30Z-11049-A, C4TZ-11049-A, C4TZ-11049-B, SH-172, SH-172-A

Lester Nos: 3124, 3131, 3132, 3135, 3139, 3142, 3149, 3207, 3208

Components:
62-2604 Bushing



52-208

C.E. Frame

For: Ford 4-1/2" Mod I, 4-1/2" Mod II DD Starters

Used On: (1991-77) AMC, Ford, Jeep, Lincoln, Mercury

Replaces: Ford D7AZ-11049-A, SH-183

Lester Nos: 3152, 3153, 3154, 3155, 3157, 3160, 3165, 3168, 3169, 3172, 3174, 3176, 3209, 3212

Components:
62-2604 Bushing



52-212

C.E. Frame

For: Ford PMGR Starters

Used On: (2005-89) Ford, Ford Truck, Lincoln, Mazda, Mercury

Replaces: Ford E90Z-11049-A, F2TZ-11049-B, SH-220, SH-223

Lester Nos: 3204, 3205, 3213, 3214, 3217, 3221, 3223, 3224, 3225, 3226, 3230, 3231, 3232, 3234, 3235, 3238, 3239, 3240, 3241, 3242, 3246, 3247, 3261, 3262, 3263, 3264, 3266, 3267, 3268, 3269, 3270, 3271, 3272, 3273, 3274, 6640, 6642, 6645, 6655

Components:
62-2402 Bushing

Features:
• Painted black

52-212-1

C.E. Frame

Same as 52-212 except...

Features:
• Zinc Yellow Dichromate



52-216

C.E. Frame

For: Ford PMGR External Thru Bolt Starters

Used On: (2006-00) Ford, Jaguar, Lincoln, Mercury

Unit Nos: Ford 5L8T-11000-AC, 5L8Z-11002-AA, 6F9Z-11002-AA, 6S4Z-11002-AA, 96BB-11000-AA, XW4U-11000-AC, XW4Z-11002-AC; Jaguar C2C-1127

Lester Nos: 6651, 6674, 6676, 6677
Dim: 68mm OD

LUCAS



52-9201

C.E. Frame

For: Lucas M50, M127 Series DD Starters

Used On: Allis-Chalmers, JCB, Perkins

Replaces: Lucas 54244980, 54246655

Unit Nos: Lucas 26274, 26294, 26295, 26298, 26312, 26316, 26316, 26336, 26338, 26339, 26341, 26342, 26343, 26345, 26349, 26351, 26352, 26357, 26358, 26359, 26363, 26366, 26369, 26376, 26379, 26384, 26388, 26395, 26398, 26404, 26407, 26410, 26414, 26416, 26421, 26423, 26428, 26429, 26431, 26433, 26435, 27500, 27508, 27515, 27518, 27519, 27528, 27533, 27536, 27539, 27540, 27541, 27543, 27553, 27554, 27556, 27558, 27569, 27569, 27572

Components:
62-92500 Bushing

MANDO



52-8306

C.E. Frame

For: Mando, Mitsubishi 1.2-1.7kW PMGR Starters

Used On: (2005-90) Chevrolet, Chrysler, Clark, Dodge, Eagle, Geo, Hyundai, Jeep, Kia, Mitsubishi, Plymouth, Suzuki

Unit Nos: Mando M52100, M53436, M53486; Mitsubishi M1T72583, M1T72583G, M1T73581, M1T74287, M1T74583, M1T77777, M1T77781, M1T78381, M1T78481, M1T78581, M1T78681, M1T78981, M1T79081, M1T79481, M1T79482, M1T79681, M1T84181, M1T84381, M1T84884, M1T84981, M1T85181, M1T85881, M1T86081, M1T86181, M1T86182, M1T86281, M1T86281ZC, M1T86883 (cont'd.)

(cont'd.)

Lester Nos: 17006, 17046, 17131, 17167, 17176, 17194, 17221, 17461, 17557, 17559, 17561, 17564, 17566, 17708, 17709, 17726, 17749, 17754, 17773, 17783, 17796, 17832, 17836, 17837, 17838, 17877

WAI Ref. Nos: 2-1176-MI, 2-1182-MI, 2-1232-MI, 2-1236-MI, 2-1239-MI, 2-1443-MI, 2-1769-MI, 2-1770-MI, 2-1771-MI, 2-1782-MI, 2-1820-MI, 2-1857-MD, 2-1858-MD, 2-1950-MI, 2-1957-MI, 2-1966-MI, 2-1996-MI, 2-2003-MI, 2-2033-MI, 2-2117-MI, 2-2118-MI, 2-2119-MI, 2-2121-MI, 2-2328-MI, 2-2342-MI

Components:
62-83303 Bushing

MITSUBISHI



52-8300

C.E. Frame

For: Mitsubishi OSGR Starters
Used On: (1994-82) Ford, Mazda; Caterpillar, Case IH, Komatsu, Mitsubishi-Fuso, Nissan Lift Truck, Yale
Unit Nos: Mitsubishi M3T54072, M3T56072, M3T56076, M3T56082, M3T56181, M3T56182, M3T56183, M3T57371, M3T57575, M3T58071, M3T66073, M3T66572, M3T67172, M3T67281, M3T67283, M3T67671, M3T67771, M3T90071, M3T90072, M3T90271, M3T90273, M3T95082, M3T95171, M3T95172
Lester Nos: 16744, 17037
WAI Ref. Nos: 2-1138-MI, 2-1254-MI, 2-1913-MI, 2-1928-MI, 2-2087-MI, 2-2092-MI



52-8301

C.E. Frame

For: Mitsubishi PLGR Starters
Used On: (2000-94) Ford Van, Pickup 7.3L (Diesel)
Unit Nos: Mitsubishi M8T50071, M8T50171
Lester Nos: 17577, 17578
WAI Ref. Nos: 2-1747-MI, 2-1748-MI
Features:
• Mfd. by OE Supplier



52-8302

C.E. Frame

For: Mitsubishi 1.2kW PMGR Starters
Used On: (1999-95) Nissan
Unit Nos: Mitsubishi MOT80281; Nissan 23300-0M210, 23300-0M211
Lester Nos: 17688
WAI Ref. Nos: 2-1864-MI



52-8303

C.E. Frame

For: Mitsubishi 1.0kW PMGR Starters
Used On: (2005-95) Mazda, Nissan
Unit Nos: Mazda BPD4-18-400, A; Mitsubishi MOT60081, MOT60082, MOT80081, MOT85081; Nissan 23300-1S770, -1S772, -9E010
Lester Nos: 17592, 17685, 17740
WAI Ref. Nos: 2-1847-MI, 2-1850-MI, 2-1936-MI



52-8305

C.E. Frame

For: Mitsubishi 1.0-1.4kW PMGR Starters
Used On: (2005-96) Chrysler, Dodge, Infiniti, Mazda, Mitsubishi, Nissan
Unit Nos: Chrysler 5033067AA, 56041207AC; Mazda FFSO-18-400, FP13-18-400, FP50-18-400, JE27-18-400D; Mitsubishi MOT60181, MOT60186, MOT60187, MOT80381, MOT80581, MOT80783, MOT80784, MOT81081, MOT81281, MOT82281, MOT84381, MOT84881ZC, MOT85981, MOT91181ZC; Mitsubishi Motors MD301351, MD332022, MD351508, MD362207, MD363633; Nissan 23300-0W010, -0W011, -4S100, -4S102
Lester Nos: 17683, 17691, 17734, 17738, 17765, 17766, 17772, 17775, 17795, 17829, 18096
WAI Ref. Nos: 2-1848-MI, 2-1849-MI, 2-1862-MI, 2-1952-MI, 2-1968-MI, 2-1978-MI, 2-1992-MI, 2-2003-MI, 2-2021-MI, 2-2029-MI, 2-2326-MI, 2-2363-MI

STARTER - FRAMES, C.E. (52-)

MITSUBISHI (cont'd.)



52-8306
C.E. Frame

For: Mando, Mitsubishi 1.2-1.7kW PMGR Starters

Used On: (2005-90) Chevrolet, Chrysler, Clark, Dodge, Eagle, Geo, Hyundai, Jeep, Kia, Mitsubishi, Plymouth, Suzuki

Unit Nos: Mando M52100, M53436, M53486; Mitsubishi M1T72583, M1T72583G, M1T73581, M1T74287, M1T74583, M1T77777, M1T77781, M1T78381, M1T78481, M1T78581, M1T78681, M1T78981, M1T79081, M1T79481, M1T79482, M1T79681, M1T84181, M1T84381, M1T84884, M1T84981, M1T85181, M1T85881, M1T86081, M1T86181, M1T86182, M1T86281, M1T86281ZC, M1T86883

Lester Nos: 17006, 17046, 17131, 17167, 17176, 17194, 17221, 17461, 17557, 17559, 17561, 17564, 17566, 17708, 17709, 17726, 17749, 17754, 17773, 17783, 17796, 17832, 17836, 17837, 17838, 17877

WAI Ref. Nos: 2-1176-MI, 2-1182-MI, 2-1232-MI, 2-1236-MI, 2-1239-MI, 2-1443-MI, 2-1769-MI, 2-1770-MI, 2-1771-MI, 2-1782-MI, 2-1820-MI, 2-1857-MD, 2-1858-MD, 2-1950-MI, 2-1957-MI, 2-1966-MI, 2-1996-MI, 2-2003-MI, 2-2033-MI, 2-2117-MI, 2-2118-MI, 2-2119-MI, 2-2121-MI, 2-2328-MI, 2-2342-MI

Components:
62-83303 Bushing



52-8307
C.E. Frame

For: Mitsubishi 1.4kW PMGR Starters

Used On: (2006-94) Mercury, Nissan, Subaru
(cont'd.)

(cont'd.)

Unit Nos: Ford F4XA-11000-BA, -BB; F4XY-11002-A, F5XY-11002-A, XF52-11000-AA, XF5Z-11002-AA; Mitsubishi M1T64285, M1T68081, M1T68781, M1T68781ZC, M1T75681, M1T77181, M1T84281, M1T84481; Nissan 23300-0B010, -0B711, -7B010, -8J001; Subaru 23300-AA280, -AA300, -AA361, -AA390

Lester Nos: 16889, 17479, 17480, 17722, 17723, 17767, 17835

WAI Ref. Nos: 2-1209-MI, 2-1772-MI, 2-1774-MI, 2-1859-MI, 2-1865-MI, 2-2343-MI

Components:
62-83303 Bushing

NIPPONDENSO



52-8200
C.E. Frame

For: Nippondenso 1.0kW, 1.4kW, 1.6kW OSGR Starters

Used On: (1995-84) Chevrolet, Chrysler, Dodge, Geo, Plymouth, Toyota

Unit Nos: Nippondenso 028000-927, 028000-938, 128000-062, 128000-124, 128000-125, 128000-259, 128000-335, 128000-350, 128000-495, 128000-496, 128000-527, 128000-528, 128000-534, 128000-556, 128000-557, 128000-632, 128000-850, 128000-979, 228000-274, 228000-275

Lester Nos: 16737, 16790, 16834, 16835, 17002, 17003, 17020, 17084, 17091, 17125, 17256, 17523

WAI Ref. Nos: 2-1024-ND, 2-1034-ND, 2-1049-ND, 2-1054-ND, 2-1060-ND, 2-1064-ND, 2-1383-ND, 2-1394-ND, 2-1405-ND, 2-1410-ND, 2-1708-ND, 2-1709-ND, 2-1901-ND

Note: Used in starters w/ 67mm field case length.
Used w/ 71-82311 drain tube for 12mm drain tube hole.



52-8201
C.E. Frame

For: Nippondenso 1.4kW OSGR Starters

Used On: (2002-90) Chrysler, Dodge, Honda, Isuzu, Lexus, Plymouth, Toyota

Unit Nos: Nippondenso 128000-750, 128000-781, 128000-803, 228000-081, 228000-156, 228000-302, 228000-339

Lester Nos: 17020, 17216, 17466, 17485, 17546, 17562, 17573

WAI Ref. Nos: 2-1393-ND, 2-1398-ND, 2-1459-ND, 2-1561-ND, 2-1588-ND, 2-1786-ND, 2-1807-ND



52-8208
C.E. Frame

For: Nippondenso 1.6kW PMGR Starters

Used On: (2006-02) Lexus, Scion, Toyota

Unit Nos: Nippondenso 228000-990, Toyota 28100-28041

Lester Nos: 17825

WAI Ref. Nos: 2-2212-ND

BOSCH



53-9100

C.S. Frame

For: Bosch 358, 359, 360, 362, 363, 366, 367, 368, 369 Series DD Starters

Used On: (1987-74) Audi, Mercedes, Peugeot, Volvo; Deutz, Iveco, Magirus

Replaces: Bosch 2-005-824-881

Lester Nos: 16445, 16615, 16715, 16752, 16753, 16754, 16949, 16957, 16999, 17318

Components:
62-91700 Bushing



53-111

C.S. Frame

For: Delco 10MT, SD300 Series DD Starters

Used On: Marine Applications

Replaces: Delco 1892414, 1956939

Unit Nos: Delco 1109481, 482, 483, 484, 485, 486, 487, 488, 489, 490, 491, 492; 1998279, 282, 314, 318, 404, 405, 415, 421, 460, 461, 513, 566, 568, 569, 570, 571, 599; 10455323, 338, 602, 603, 604

Lester Nos: 3664

Dim: 3-7/8" OD



53-113

C.S. Frame

For: Delco 25MT, 27MT Series DD Starters

Used On: (1989-79) Buick, Cadillac, Chevrolet, GMC, Oldsmobile, Pontiac

Replaces: Delco 1976882

Unit Nos: Delco 1109215, 1109216, 1109219, 1109563, 1113589, 1113590, 1113591, 1998401, 1998409, 1998442, 1998454

Lester Nos: 3725, 3764, 6343

Dim: 4-1/2" OD

Components:
62-1703 Bushing

DELCO

10MT-27MT Series



53-101

C.S. Frame

For: Delco 10MT, 20MT, 22MT, 25MT, 27MT, SD300 Series, Wet Clutch DD Starters

Replaces: Delco 1976128

Unit Nos: Delco 1107308, 582, 583, 592, 593, 781, 869, 874, 875; 1108390, 393, 693, 694, 696; 1109143, 147, 188, 191, 192, 193, 194, 199, 208, 209, 539, 540, 541, 547, 559; 1113600; 1998261, 263, 266, 271, 272, 273, 276, 287, 288, 323, 324, 325, 337, 340, 344, 348, 349, 356, 358, 359, 360, 363, 364, 366, 379, 385, 388, 389, 402, 412, 416, 464, 468, 485, 488, 505, 519, 522, 575, 576; 10455322, 324, 325, 326, 331, 332, 333, 348, 349, 350, 351, 500

Lester Nos: 3681

Dim: 3-7/8" OD

Components:
62-1700 Bushing
71-1700 Seal
71-1100 Gasket



53-112

C.S. Frame

For: Delco 10MT, 20MT, 22MT, 25MT, 27MT, SD300 Series DD Starters

Used On: (1985-78) Buick, Cadillac, Chevrolet, Ford, GMC, Oldsmobile

Replaces: Delco 1986468, 10496109

Unit Nos: Delco 1107506, 510, 512, 522-524, 533, 539, 540, 542-544, 546, 547, 549, 550, 551, 555, 556, 558, 559, 564, 567, 571-573, 575-578, 580, 581, 584-591, 594, 596, 598-600, 853-855, 857, 859, 860, 863, 866-868, 870-873, 884, 898; 1108180, 181, 183-186, 394, 688, 691, 692, 697, 698, 700; 1109140, 141, 142, 144-146, 149, 186, 187, 189, 190, 196-198, 210, 212-214, 218, 251-253, 255-264, 272, 495, 496, 498-500, 542, 543, 548, 550, 552, 566; 1113593, 594, 596-599; 1998265, 269, 270, 274, 283, 284, 328-336, 338, 339, 341-343, 345-347, 350-355, 357, 361, 362, 365, 367, 368, 370, 371, 373-378, 380, 381, 383, 384, 386, 387, 390-395, 398, 399, 403, 408, 410, 411, 413, 418, 419, 423, 424, 426, 446, 455-457, 459, 463, 465, 479, 480, 481, 483, 484, 486, 489, 490, 496, 498, 506-508; 10455317, 318, 319, 321, 327, 336, 337, 339, 347, 352-354

Lester Nos: 3300, 3601, 3664, 3691, 4509, 6305

Dim: 3" OD

Components:
62-1703 Bushing

28MT Series



53-8400

C.S. Frame

For: Delco 28MT Series OSGR Starters

Used On: (2002-89) Chevrolet, GMC

Replaces: Delco 10456469

Unit Nos: Delco 1113269, 1113270, 1113295, 1113296, 10479611

Lester Nos: 6468, 6469

Note: For starters w/ pad mount D.E. housings

STARTER - FRAMES, C.S. (53-)

DELCO

28MT Series (cont'd.)



53-8401

C.S. Frame

For: Delco 28MT Series OSGR Starters
Used On: Allis-Chalmers, Bluebird, Champion Motor Coach, Clark, Consolidated Diesel, Cummins, DMT, Detroit Diesel, Deutz, Deutz-Allis, Dresser Construction, Ford New Holland, Ford Truck, Freightliner, Hough International, Hyster, IHC, Jacobsen, John Deere, Lincoln Electric, Lister-Petter, Mack, Massey Ferguson, Melroe, Miller Electric, Oshkosh, Perkins, RVI, Teledyne Continental, Toro, Versatile, Waukesha, White

Replaces: Delco 10457037, D4322
Unit Nos: Delco 1113271, 272, 273, 274, 275, 276, 277, 278, 279, 280, 281, 282, 283, 284, 285, 286, 287, 288, 289, 290, 291, 292, 297; 10479600, 604, 605, 606, 607, 608, 612, 613, 614, 615, 616, 617, 618, 619, 620, 628, 629, 630
Lester Nos: 6573, 6577, 6585, 6595, 6601
Note: For starters w/ flange mount D.E. housings



53-8402

Drive Shaft Frame

For: Delco 28MT Series, Dry Clutch OSGR Starters
Used On: Allis-Chalmers, Bluebird, Chevrolet, Clark, Consolidated Diesel, Cummins, DMT, Detroit Diesel, Deutz, Deutz-Allis, Dresser Construction, Ford New Holland, Ford Truck, Freightliner, GMC, Hough International, Hyster, IHC, Jacobsen, John Deere, Lincoln Electric, Lister-Petter, Mack, Massey Ferguson, Melroe, Miller Electric, Oshkosh, Perkins, RVI, Teledyne Continental, Toro, Versatile, Waukesha, White

Replaces: Delco 10456470
 (cont'd.)

(cont'd.)

Unit Nos: Delco 1113269, 270, 271, 273, 274, 275, 276, 277, 278, 279, 280, 281, 282, 284, 286, 287, 289, 295, 296, 297; 10479600, 604, 605, 606, 607, 608, 611, 612, 614, 615, 618, 619, 620, 628, 629

Lester Nos: 6468, 6469, 6573, 6585, 6595, 6601



53-8403

Drive Shaft Frame

For: Delco 28MT Series, Wet Clutch OSGR Starters

Used On: Champion Motor Coach, Clark, Consolidated Diesel, Cummins, Hyster, John Deere, Mack, Melroe, Perkins

Replaces: Delco 10457169
Unit Nos: Delco 1113272, 1113283, 1113285, 1113288, 1113290, 1113291, 1113292, 10479613, 10479616, 10479617, 10479630

Lester Nos: 6577

Components:
 71-84700 Oil Seal

30MT-50MT Series



53-102

Lever Housing

For: Delco 30MT, 35MT Series Internal Rotatable DD Starters

Replaces: Delco 1942241

(cont'd.)

(cont'd.)

Unit Nos: Delco 1113059, 089, 090, 100, 101, 111, 113, 114, 115, 119, 121, 130, 131, 133, 135, 136, 137, 139, 148, 150, 153, 157, 162, 163, 164, 167, 168, 169, 171, 172, 174, 176, 177, 179, 182, 183, 184, 187, 190, 192, 193, 194, 195, 196, 197, 198, 200, 201, 202, 203, 205, 206, 209, 210, 212, 213, 215, 219, 220, 223, 225, 367, 368, 373, 376, 377, 380, 381, 383, 402, 409, 626, 635, 637, 639, 640, 641, 642, 644, 647, 648, 650, 651, 652, 653, 655, 656, 659, 660, 661, 662, 663, 667, 668, 672, 673, 676, 680, 683, 685, 690, 695, 696, 697

Components:

62-1702 Bushing
 76-1825 Plug
 76-1836 Oil Wick



53-103

Lever Housing

For: Delco 30MT, 35MT Series External Rotatable DD Starters

Replaces: Delco 1851986

Unit Nos: Delco 1113216, 217, 218, 228, 229, 231, 232, 233, 234, 235, 236, 237, 244, 245, 246, 248, 253, 254, 256, 257, 258, 259, 261, 262, 263, 391, 413, 414, 416, 417, 418, 420, 424, 426, 431, 432, 433, 435, 437, 439, 441, 442, 447, 473, 476, 484, 489, 490, 493, 494, 495, 496, 498, 499, 582

Components:

62-1704 Bushing
 76-1831 Oil Wick
 76-1954 Pipe Plug



53-104

Lever Housing

For: Delco 40MT Series DD Starters

Replaces: Delco 1979434

Unit Nos: Delco 1113370, 371, 378, 379, 384, 386, 403, 407, 415, 445, 446, 477, 479, 481, 485, 486, 487, 533-536, 539, 541, 542, 545, 583-585, 645, 693, 830, 840, 842, 846, 849-852, 857-859, 864, 866, 870-873, 875-877, 879, 880, 882, 883, 887, 892, 914, 917, 918, 920, 921, 927, 935, 937, 941, 942, 945, 949-952, 956, 958-965, 969-971, 973, 975, 978, 980, 983, 986, 988, 998; 1114052, 055, 057, 058, 063, 064, 066, 067, 072, 077, 080, 081, 083, 084, 086, 088, 090, 092, 095, 101-106, 109, 111, 112, 115-117, 119-123, 126, 128, 129, 132-134, 136-138, 140, 142, 146, 148-152, 154, 155, 157-160, 162, 165, 168, 171-174, 176, 178, 179-181, 184-187, 189, 192, 194, 196, 701, 705-708, 710, 712, 714-716, 719, 722-726, 728-731, 734, 740, 742, 745, 747-749, 751, 753, 755, 757, 759, 760, 769, 770-775, 777, 782, 784, 785, 787, 790, 796, 803-806, 809, 813, 816-818, 820-822, 824, 829, 830, 832, 834-836, 839, 844, 847, 858, 860-864, 867, 868, 870-876, 878-881, 883-887, 889, 891-893, 896-898, 901, 904, 905, 907, 908, 910-913, 916, 918-921, 923, 926, 927, 930, 931, 934, 939, 941-944, 948, 949, 957-959, 960, 961, 964, 965, 967-969, 976-978, 982, 984, 985, 990, 993, 996, 997, 999; 1990200, 201, 205, 206, 211, 215, 217, 221, 222, 296, 297, 299, 300, 303, 335, 342, 346, 481

Components:

62-1800 Bushing
76-1834 Oil Wick
76-1838 Plug



53-105

Lever Housing

For: Delco 37MT, 41MT Series DD Starters

Replaces: Delco 1985231, 1987629, 10496568

Unit Nos: Delco 1990308, 309, 310, 311, 312, 313, 320, 330, 341, 347, 498; 1993701, 702, 705, 707, 709, 712, 719, 726, 728, 732, 738, 744, 745, 759, 761, 767, 768, 769, 770, 771, 773, 778, 787, 789, 792, 793, 799, 800, 817, 818, 819, 829, 837, 850, 854, 855, 862, 866, 869, 873, 880, 885, 886, 887, 893, 894, 901, 905, 909, 911, 914, 917, 921, 926, 947, 950, 951, 956, 963, 964, 965, 970, 971, 974, 981, 986, 988, 992, 994, 995; 10478806, 819, 825, 831, 890, 921, 928, 929, 930, 949, 953, 957, 961, 976; 10479013, 015, 016, 020, 035, 054, 068, 069, 071, 098, 102, 139, 169, 186

Components:

62-1802 Bushing
76-1825 Plug
76-1826 Oil Wick



53-106

Lever Housing

For: Delco 37MT, 41MT Series DD Starters

Replaces: Delco 10498654
(cont'd.)

(cont'd.)

Unit Nos: Delco 1990315, 316, 317, 318, 319, 321, 322, 326, 327, 331, 332, 336, 499; 1993711, 713, 723, 729, 736, 737, 741, 742, 746, 754, 755, 756, 762, 763, 764, 765, 790, 791, 794, 832, 853, 861, 865, 871, 874, 878, 879, 881, 883, 884, 891, 898, 902, 903, 910, 920, 928, 931, 953, 954, 955, 957, 958, 967, 969, 972, 979, 997; 10478805, 812, 814, 817, 818, 897, 898, 925, 999; 10479023, 024, 034, 043, 174, 175

Components:

62-1802 Bushing
76-1825 Plug
76-1826 Oil Wick



53-107-1

Lever Housing

For: Delco 40MT Series DD Starters

Replaces: Delco 1979534

Unit Nos: Delco 1113353, 366, 372, 375, 385, 387, 393, 406, 408, 410, 472, 474, 475, 480, 483, 500, 532, 537, 538, 540, 543, 544, 546, 547, 631, 638, 643, 658, 664, 669, 670, 674, 678, 691, 818, 820, 824, 825, 827, 831, 832, 845, 853, 855, 856, 865, 867, 874, 878, 881, 884, 888, 889, 895, 898, 899, 900, 902, 905-911, 915, 916, 923, 926, 928, 931, 936, 938, 939, 947, 948, 954, 955, 957, 966-968, 972, 974, 976, 977, 979, 981, 982, 990-995, 997, 999; 1114051, 054, 056, 059, 061, 065, 069, 070, 071, 073, 074, 076, 078, 079, 082, 085, 087, 091, 094, 096-099, 107, 110, 113, 114, 124, 125, 127, 130, 135, 139, 141, 143-145, 147, 150, 153, 156, 161, 163, 164, 166, 167, 169, 170, 175, 177, 182, 188, 190-193, 195, 197-199, 700, 702-704, 709, 711, 713, 718, 720, 721, 727, 733, 735, 737, 738, 741, 743, 744, 746, 750, 752, 754, 756, 758, 761-763, 765, 766, 767, 776, 780, 781, 783, 786, 788, 789, 791-793, 797-802, 807, 808, 810-812, 814, 815, 819, 823, 825-828, 831, 833, 842, 843, 845, 846, 848-851, 853-857, 859, 865, 866, 869, 877, 882, 888, 890, 894, 895, 899

(cont'd.)

STARTER - FRAMES, C.S. (53-)

DELCO

30MT-50MT Series (cont'd.)

(cont'd.)

1114900, 903, 906, 909, 914, 915, 917, 922, 924, 925, 928, 929, 932, 933, 935-938, 940, 945, 947, 950-953, 955, 956, 962, 963, 966, 970, 972, 975, 979, 986-989, 991, 992, 994, 995; 1990202, 208, 209, 212, 214, 216, 218-220, 223, 224, 279, 280, 302, 304, 307, 325, 329, 343, 482; 1993700, 703, 704

Components:

62-1800 Bushing
76-1834 Oil Wick
76-1838 Plug



53-108

Lever Housing

For: Delco 42MT Series DD Starters

Replaces: Delco 1988093, 10473716, 19880934

Unit Nos: Delco 1990337, 348, 353, 354, 356, 357, 358, 359, 367, 368, 369, 374, 376, 378, 382, 385, 386, 387, 391, 393, 395, 396, 417, 430, 431, 434, 436, 441, 448, 449, 451, 452, 453, 456, 457, 458, 462, 463, 466, 467, 469, 470, 475, 477, 485, 496, 497; 1993785, 797, 802, 804, 806, 807, 810, 811, 814, 816, 833, 863, 925, 934, 935, 936, 941, 977, 982, 987; 10478801, 803, 804, 809, 810, 824, 839; 10479052, 053, 099, 164, 182

Components:

62-1801 Bushing
76-1825 Plug
76-1826 Oil Wick



53-109

Lever Housing

For: Delco 42MT Series DD Starters

Replaces: Delco 1988436, 1988892, 1988998, 10477832

Unit Nos: Delco 1990344, 349, 350, 352, 355, 360, 361, 362, 363, 364, 365, 366, 370, 371, 372, 373, 375, 377, 379, 380, 381, 383, 388, 389, 394, 397, 398, 400, 401, 402, 403, 404, 405, 406, 407, 408, 411, 413, 414, 416, 418, 419, 420, 421, 423, 424, 427, 428, 429, 435, 437, 438, 439, 440, 446, 447, 450, 454, 455, 459, 460, 464, 468, 471, 473, 474, 478, 483, 484, 486, 487, 489, 490, 491, 492, 494, 495; 1993772, 774, 775, 776, 782, 783, 784, 786, 788, 795, 796, 801, 803, 805, 808, 812, 815, 820, 822, 823, 824, 826, 827, 828, 835, 842, 849, 856, 932, 933, 937, 938, 939, 940, 942, 943, 944, 945, 961, 973, 975, 983, 984, 993; 10478802, 816, 832, 833, 931, 932, 933, 935, 936, 938, 939, 940, 941, 942, 943, 946, 964, 983, 984, 985, 986, 992, 996; 10479004, 005, 006, 008, 009, 010, 017, 018, 019, 021, 022, 026, 027, 028, 030, 037, 038, 040, 041, 062, 063, 064, 065, 072, 081, 082, 091, 092

Components:

62-1801 Bushing
76-1825 Plug
76-1826 Oil Wick



53-110

Lever Housing

For: Delco 50MT Series DD Starters

Replaces: Delco 1945857, 1953223, 1979598, 1979870

Unit Nos: Delco 1109220, 221, 222, 224, 274-292, 294-299, 493, 494, 497, 545, 553-555, 624-633, 635, 637, 638, 640-649, 755, 757-759, 768, 769, 771-777, 779-781, 788-799, 828-842, 844-849, 961-965, 968-971, 973-975, 977-980, 983-986, 988, 989, 996, 998, 999; 1114663, 664, 669; 1990225-278, 291, 298, 333; 1993708, 739, 740, 743, 753, 781, 798, 825, 839, 840, 841, 847, 852, 859, 860, 864, 922, 959, 960, 968, 989; 10478800, 807, 808, 813, 827, 828, 829, 830, 846, 853, 862, 872, 873

Components:

62-1800 Bushing
76-1834 Oil Wick
76-1838 Plug

MITSUBISHI



53-8302

C.S. Frame

For: Mitsubishi OSGR Starters

Used On: (1994-85) Ford 7.3L (Diesel); Komatsu

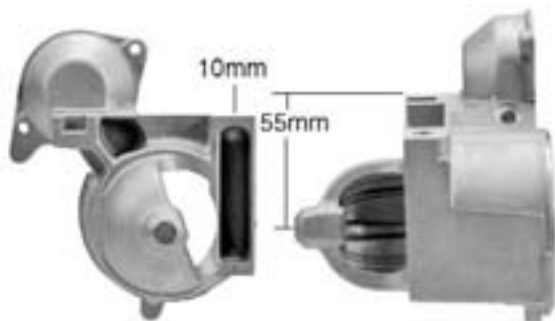
Unit Nos: Mitsubishi M3T90071, M3T90072, M3T95082, M3T95171, M3T95172

Lester Nos: 17037

WAI Ref. Nos: 2-1254-MI

DELCO

5MT, SD200, SD250 Series



51-100-3
D.E. Housing
Aluminum

For: Delco 5MT, SD200 Series DD Starters
Used On: (1992-80) Buick, Chevrolet, GMC, Oldsmobile, Pontiac

Replaces: Delco 1974146, 1985148

Unit Nos: Delco 1109526, 1109538, 1109560, 1998445, 1998448, 1998449, 1998450, 1998514, 1998515, 1998526, 1998530, 1998546, 10455004, 10455017

Lester Nos: 3535, 3571, 6307, 6310

Dim:

Mtg. Ear-1 Hole Size: 10mm
Mtg. Pad to Bushing Center: 55mm
Mtg. Ear-2 Hole Size: 10mm
Recessed Thru Bolt Holes: 10-24

Note: Also drilled with 1/4-20 thru bolt holes for 8MT conversions. Similar to 51-188-3 except 51-188-3 has different solenoid mtg. position.

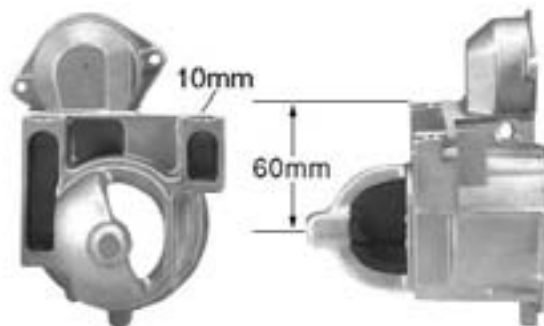
Components:

62-1402 Bushing

51-100-4
D.E. Housing
Aluminum

Same as 51-100-3 except...

Note: Without bushing



51-101
D.E. Housing
Aluminum

For: Delco 5MT, SD200 Series DD Starters

Used On: (1985-82) Cadillac

Replaces: Delco 1978675, 1987274

Unit Nos: Delco 1109531, 1998434, 1998535

Lester Nos: 3552, 6327

Dim:

Mtg. Ear-1 Hole Size: 10mm
Mtg. Pad to Bushing Center: 60mm
Mtg. Ear-2 Hole Size: 10mm
Recessed Thru Bolt Holes: 10-24

Note: Also drilled with 1/4-20 thru bolt holes for 8MT conversions. Similar to 51-174 except 51-174 w/ 3/8" mtg. holes.

Components:

62-1402 Bushing



51-102
D.E. Housing
Aluminum

For: Delco 5MT, SD200 Series DD Starters

Used On: (1990-82) AMC, Buick, Chevrolet, GMC, Jeep, Pontiac

Replaces: Delco 1986096

Unit Nos: Delco 1109527, 1109534, 1998430, 1998466, 1998527, 1998548

Lester Nos: 3553, 6316

Dim:

Mtg. Ear-1 Hole Size: 10mm
Mtg. Pad to Bushing Center: 60mm
Mtg. Ear-2 Hole Size: 10mm
Recessed Thru Bolt Holes: 10-24

Note: Also drilled with 1/4-20 thru bolt holes for 8MT conversion. w/ large drive opening.

Similar to 51-175 except 51-175 w/ 3/8" mtg. holes.

Components:

62-1402 Bushing

51-102-2
D.E. Housing
Aluminum

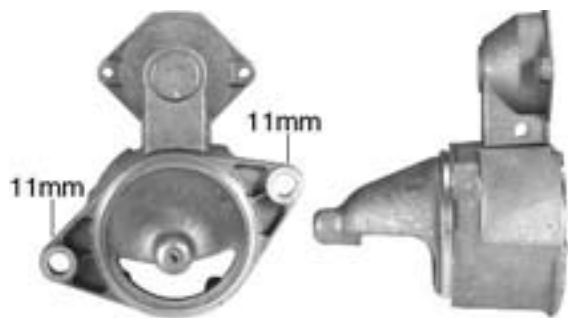
Same as 51-102 except...

Note: Without bushing

STARTER - HOUSINGS, D.E. (51-)

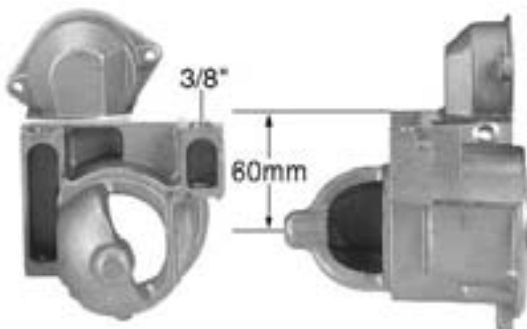
DELCO

5MT, SD200, SD250 Series (cont'd.)



51-103
D.E. Housing
Aluminum

For: Delco 5MT, SD200 Series DD Starters
Used On: (1987-77) Chevrolet, Pontiac
Replaces: Delco 1893332, 1986092
Unit Nos: Delco 1109522, 1109532, 1998428, 1998451, 1998525, 10455052
Lester Nos: 3503, 3564, 6319
Dim:
 Mtg. Ear-1 Hole Size: 11mm
 Mtg. Ear-1 to Bushing Center: 63mm
 Mtg. Ear-2 Hole Size: 11mm
 Mtg. Ear-2 to Bushing Center: 63mm
 Locating Dia: 80mm
 Recessed Thru Bolt Holes: 10-24
Note: Also drilled with 1/4-20 thru bolt holes for 8MT conversions
Components:
 62-1402 Bushing



51-174
D.E. Housing
Aluminum

For: Delco 5MT, SD200 Series DD Starters
Used On: (1990-78) Buick, Cadillac, Chevrolet, Oldsmobile, Pontiac
Replaces: Delco 1893752, 1987662
Unit Nos: Delco 1109523, 1109544, 1998453, 1998536, 10455007, 10455073
Lester Nos: 3504, 3507, 6315
Dim:
 Mtg. Ear-1 Hole Size: 3/8"
 Mtg. Pad to Bushing Center: 60mm
 Mtg. Ear-2 Hole Size: 3/8"
 Recessed Thru Bolt Holes: 10-24
Note: Also drilled with 1/4-20 thru bolt holes for 8MT conversions. Similar to 51-101 except 51-101 w/ 10mm mtg. holes.
Components:
 62-1402 Bushing



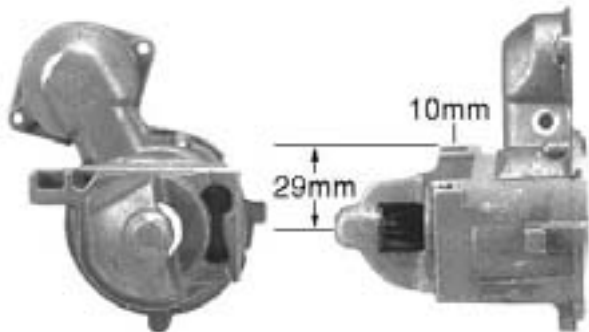
51-175
D.E. Housing
Aluminum

For: Delco 5MT, SD200 Series DD Starters
Used On: (1981-78) AMC, Buick, Chevrolet, GMC, Jeep, Oldsmobile, Pontiac
Replaces: Delco 1893268
Unit Nos: Delco 1109521, 1109524
Lester Nos: 3502
Dim:
 Mtg. Ear-1 Hole Size: 3/8"
 Mtg. Pad to Bushing Center: 60mm
 Mtg. Ear-2 Hole Size: 3/8"
 Recessed Thru Bolt Holes: 10-24
Note: Also drilled with 1/4-20 thru bolt holes for 8MT conversions.
 Similar to 51-102 except 51-102 w/ 10mm mtg. holes.
Components:
 62-1402 Bushing



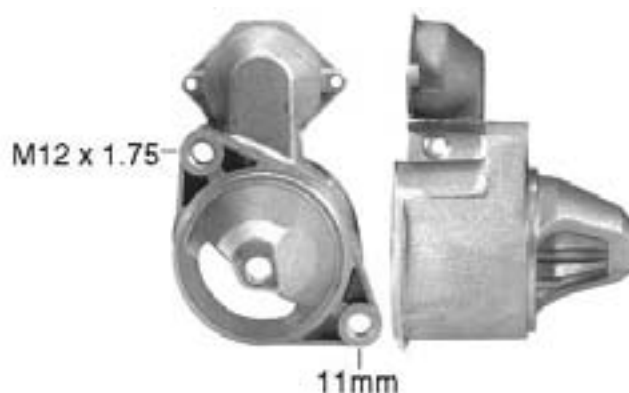
51-182
D.E. Housing
Aluminum

For: Delco 5MT, SD200 Series DD Starters
Used On: (1984-83) Chevrolet, GMC
Replaces: Delco 1985339, 1987086
Unit Nos: Delco 1109561, 1998431
Lester Nos: 6311, 6318
Dim:
 Mtg. Ear-1 Hole Size: 10mm
 Mtg. Pad to Bushing Center: 47mm
 Mtg. Ear-2 Hole Size: 10mm
 Recessed Thru Bolt Holes: 10-24
Note: Notched mtg. hole
Components:
 62-1402 Bushing



51-184
D.E. Housing
Aluminum

For: Delco 5MT, SD200 Series DD Starters
Used On: (1986-85) Cadillac
Replaces: Delco 10495253
Unit Nos: Delco 1109546, 1998476, 1998509, 1998512, 1998534
Lester Nos: 6331
Dim:
 Mtg. Ear-1 Hole Size: 10mm
 Mtg. Pad to Bushing Center: 29mm
 Mtg. Ear-2 Hole Size: 10mm
 Recessed Thru Bolt Holes: 10-24
Components:
 62-1402 Bushing



51-186
D.E. Housing
Aluminum

For: Delco 5MT, SD200 Series DD Starters
Used On: (1994-82) Buick, Oldsmobile, Pontiac
Replaces: Delco 1984528
Unit Nos: Delco 1109551, 1998447, 1998529, 10455021
Lester Nos: 6308
Dim:
 Mtg. Ear-1 Hole Size: 11mm
 Mtg. Ear-1 to Bushing Center: 58mm
 Mtg. Ear-2 Hole Size: M12 x 1.75
 Mtg. Ear-2 to Bushing Center: 58mm
 Locating Dia: 82mm
 Recessed Thru Bolt Holes: 10-24
Components:
 62-1403 Bushing



51-185
D.E. Housing
Aluminum

For: Delco 5MT, SD200 Series DD Starters
Used On: (1993-85) Chevrolet, GMC
Replaces: Delco 1988412
Unit Nos: Delco 1998482, 1998532, 10455018, 10455074
Lester Nos: 6330
Dim:
 Mtg. Ear-1 Hole Size: 10mm
 Mtg. Pad to Bushing Center: 55mm
 Mtg. Ear-2 Hole Size: 10mm
 Recessed Thru Bolt Holes: 10-24
Components:
 62-1403 Bushing

51-185-2
D.E. Housing
Aluminum

Same as 51-185 except...
Note: Without bushing



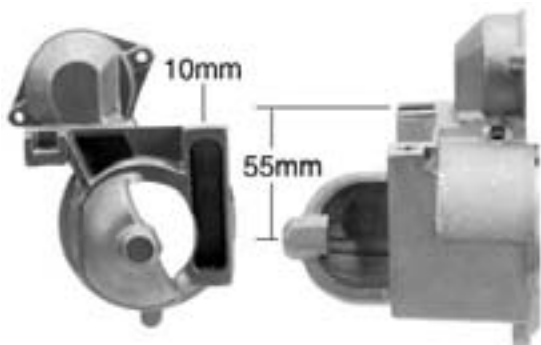
51-187
D.E. Housing
Aluminum

For: Delco 5MT, SD200 Series DD Starters
Used On: (1993-82) Chevrolet, GMC, Isuzu, Jeep, Pontiac
Replaces: Delco 1978851, 1986995
Unit Nos: Delco 1109535, 1998427, 1998524, 10455016, 10455080
Lester Nos: 3569, 6313
Dim:
 Mtg. Ear-1 Hole Size: 10mm
 Mtg. Pad to Bushing Center: 47mm
 Mtg. Ear-2 Hole Size: 10mm
 Recessed Thru Bolt Holes: 10-24
Note: With large drive opening.
 Similar to 51-1115 except 51-1115 w/ small drive opening
Components:
 62-1402 Bushing

STARTER - HOUSINGS, D.E. (51-)

DELCO

5MT, SD200, SD250 Series (cont'd.)



51-188-3
D.E. Housing
Aluminum

For: Delco 5MT, SD200 Series DD Starters

Used On: (1993-81) Buick, Cadillac, Chevrolet, Isuzu, Oldsmobile, Pontiac

Replaces: Delco 1978282, 1984734

Unit Nos: Delco 1109530, 1109533, 1109537, 1109556, 1109562, 1109564, 1998422, 1998429, 1998477, 1998502, 1998503, 1998504, 1998511, 1998523, 1998528, 1998531, 1998533, 10455019, 10455020, 10455022, 10455023, 10455055

Lester Nos: 3563, 3565, 6309, 6312, 6324

Dim:

Mtg. Ear-1 Hole Size: 10mm

Mtg. Pad to Bushing Center: 55mm

Mtg. Ear-2 Hole Size: 10mm

Recessed Thru Bolt Holes: 10-24

Note: With large drive opening.

Similar to 51-100-3 except 51-100-3 has different solenoid mtg. position. Similar to 51-1114 except 51-1114 is a no shim version with a small drive opening.

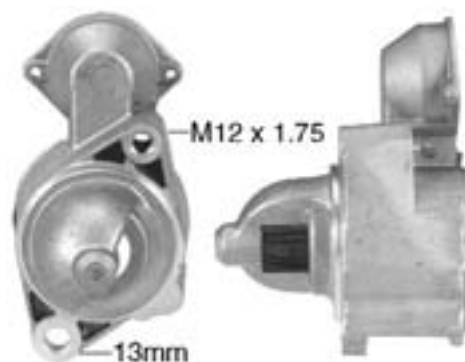
Components:

62-1402 Bushing

51-188-4
D.E. Housing
Aluminum

Same as 51-188-3 except...

Note: Without bushing.



51-195
D.E. Housing
Aluminum

For: Delco 5MT, SD250, SD255 Series DD Starters

Used On: (1998-88) Buick, Chevrolet, Oldsmobile, Pontiac

Replaces: Delco 10487938, 10499227

Unit Nos: Delco 10455001, 10455015, 10455067

Lester Nos: 6413, 6475

Dim:

Mtg. Ear-1 Hole Size: M12 x 1.75

Mtg. Ear-1 to Bushing Center: 59mm

Mtg. Ear-2 Hole Size: 13mm

Mtg. Ear-2 to Bushing Center: 59mm

Locating Dia: 82mm

Recessed Thru Bolt Holes: 10-24

Note: Similar to 51-1113 except 51-1113 w/ bushing

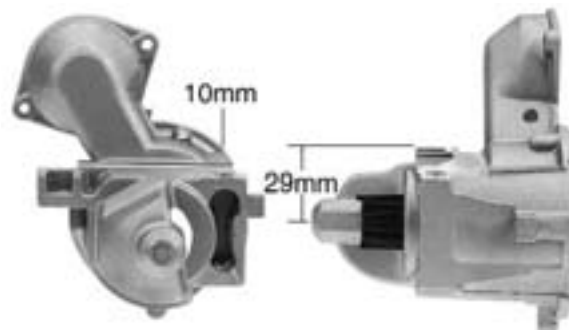
Components

8-118 Needle Bearing

51-195-2
D.E. Housing
Aluminum

Same as 51-195 except...

Note: Without 8-118 needle bearing



51-196-4
D.E. Housing
Aluminum

For: Delco 5MT, SD250, SD255 Series DD Starters

Used On: (1995-87) Cadillac

Replaces: Delco 10498122

Unit Nos: Delco 1998542, 1998550, 10455008, 10455009, 10455045, 10455046, 10455058, 10455072

Lester Nos: 6426

Dim:

Mtg. Ear-1 Hole Size: 10mm

Mtg. Pad to Bushing Center: 29mm

Mtg. Ear-2 Hole Size: 10mm

Recessed Thru Bolt Holes: 10-24

Note: Without 8-118 needle bearing



51-1100-3
D.E. Housing
'No Shim' Version
Aluminum

For: Delco 5MT, SD250, SD255 Series DD Starters
Used On: (1997-86) Buick, Chevrolet, Oldsmobile, Pontiac
Replaces: Delco 10456437, 10467574, 10495877*, 10495879*
Unit Nos: Delco 1998521, 1998544, 10455006, 10455024, 10455066, 10455071, 24507409
Lester Nos: 6339, 6476
Dim:
 Mtg. Ear-1 Hole Size: 10mm
 Mtg. Pad to Bushing Center: 57mm
 Mtg. Ear-2 Hole Size: 10mm
 Recessed Thru Bolt Holes: 10-24
Note: *51-1100-3 can replace shim version w/ 55mm mtg. pad to bushing center
Components:
 8-118 Needle Bearing

51-1100-4
D.E. Housing
'No Shim' Version
Aluminum

Same as 51-1100-3 except...
Note: Without 8-118 needle bearing



51-1113
D.E. Housing
Aluminum

For: Delco 5MT, SD200 Series DD Starters
Used On: (1995-89) Buick, Chevrolet, Oldsmobile, Pontiac
Replaces: Delco 10469354
Unit Nos: Delco 10455044, 10455049
Lester Nos: 6413
 (cont'd.)

(cont'd.)
Dim:
 Mtg. Ear-1 Hole Size: M12 x 1.75
 Mtg. Ear-1 to Bushing Center: 59mm
 Mtg. Ear-2 Hole Size: 13mm
 Mtg. Ear-2 to Bushing Center: 59mm
 Locating Dia: 82mm
 Recessed Thru Bolt Holes: 10-24
Note: Similar to 51-195 except 51-195 w/ needle bearing
Components:
 62-1402 Bushing (OE Hsg.)
 62-1404 Bushing (WAI Hsg.)

10MT, 20-27MT, SD300 Series (Aluminum)



51-117
D.E. Housing
Aluminum

For: Delco 10MT, SD300 Series DD Starters
Used On: (1993-82) Chevrolet, GMC
Replaces: Delco 1984590
Unit Nos: Delco 1998396, 1998397, 1998438, 1998443, 1998491, 1998560, 1998565, 1998588, 1998589, 10455306
Lester Nos: 3733
Dim:
 Mtg. Ear-1 Hole Size: 10mm
 Mtg. Pad to Bushing Center: 47mm
 Mtg. Ear-2 Hole Size: 10mm
Note: With small drive opening.
 Similar to 51-138 except 51-138 w/ large drive opening.
Components:
 62-1402 Bushing

51-117-2
D.E. Housing
Aluminum

Same as 51-117 except...
Note: Without bushing

STARTER - HOUSINGS, D.E. (51-)

DELCO

10MT, 20-27MT, SD300 (Aluminum) (cont'd.)



51-120
D.E. Housing
Aluminum

For: Delco 10MT, SD300 Series DD Starters

Used On: (1983-73) Buick, Chevrolet, GMC, Oldsmobile, Pontiac

Replaces: Delco 1893864

Unit Nos: Delco 1108427, 428, 429, 430, 480, 502, 513, 745, 746, 747, 748, 776, 778, 779, 780, 781, 782, 796, 798; 1109025, 036, 052, 056, 057, 064, 065, 066, 068; 1998211, 215, 216, 217, 220, 221, 222, 223, 253

Lester Nos: 3508, 3510

Dim:

Mtg. Ear-1 Hole Size: 3/8"

Mtg. Pad to Bushing Center: 47mm

Mtg. Ear-2 Hole Size: 3/8"

Note: Similar to 51-138 except 51-138 w/ 10mm mtg. holes

Components:

62-1402 Bushing

51-120-2
D.E. Housing
Aluminum

Same as 51-120 except...

Note: Without bushing



51-122
D.E. Housing
Aluminum

For: Delco 10MT, SD300 Series DD Starters

Used On: (1992-73) Buick, Cadillac, Chevrolet, GMC, Oldsmobile, Pontiac

Replaces: Delco 1876881, 1965529, 1967277, 1968122, 1970310

(cont'd.)

(cont'd.)

Unit Nos: Delco 1107237, 242, 247, 248, 259, 260, 301, 302, 306, 307, 320, 336, 340, 352, 367, 370, 374, 380, 385, 391, 399, 400, 496, 596; 1108283, 320, 326, 327, 331, 351, 354, 361, 363, 365, 366, 367, 375, 380, 381, 391, 392, 417, 420, 439, 441, 477, 479, 490, 491, 496, 497, 499, 503, 504, 506, 507, 512, 521, 743, 760, 762, 763, 768, 770, 774, 789, 790, 791, 797; 1109024, 038, 041, 061, 062, 063, 364, 567, 597; 1998213, 227, 234, 235, 236, 286, 400, 435, 452, 467, 516, 557, 564, 577, 580, 591; 10455300

Lester Nos: 3631, 3664, 3800, 3838

Dim:

Mtg. Ear-1 Hole Size: 3/8"

Mtg. Pad to Bushing Center: 60mm

Mtg. Ear-2 Hole Size: 3/8"

Components:

62-1402 Bushing

51-122-2
D.E. Housing
Aluminum

Same as 51-122 except...

Note: Without bushing



51-138
D.E. Housing
Aluminum

For: Delco 10MT, SD300 Series DD Starters

Used On: (1994-81) Buick, Cadillac, Chevrolet, GMC, Oldsmobile

Replaces: Delco 1984097

Unit Nos: Delco 1108442, 448; 1998226, 238, 241, 242, 243, 244, 247, 436, 437, 439, 440, 441, 469, 558, 559, 561, 562, 574, 579, 583, 584, 590; 10455301, 305, 308, 343

Lester Nos: 3508M, 3510M

Dim:

Mtg. Ear-1 Hole Size: 10mm

Mtg. Pad to Bushing Center: 47mm

Mtg. Ear-2 Hole Size: 10mm

Note: With large drive opening.

Similar to 51-117 except 51-117 w/ small drive opening.

Similar to 51-120 except 51-120 w/ 3/8" mtg. holes.

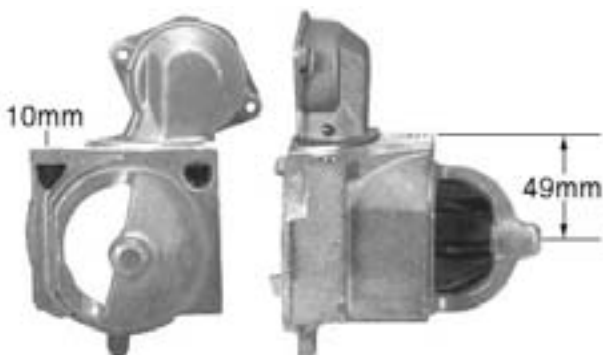
Components:

62-1402 Bushing

51-138-2
D.E. Housing
Aluminum

Same as 51-138 except...

Note: Without bushing



51-177
D.E. Housing
'No Shim' Version
Aluminum

For: Delco 27MT Series DD Starters

Used On: (1989-82) Chevrolet, GMC

Replaces: Delco 1979443*, 10496542

Unit Nos: Delco 1109219, 1109563, 1113589, 1998409, 1998442

Lester Nos: 3764

Dim:

Mtg. Ear-1 Hole Size: 10mm

Mtg. Pad to Bushing Center: 49mm

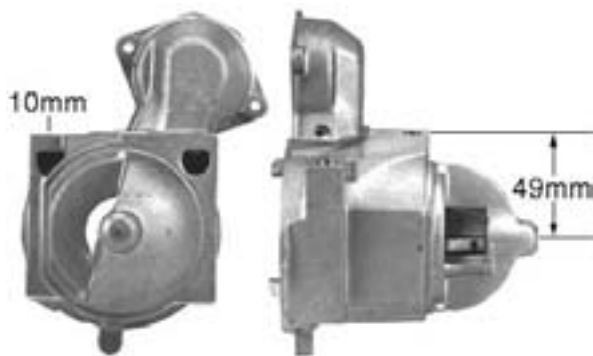
Mtg. Ear-2 Hole Size: 10mm

Note: *51-177 can replace shim version w/ 47mm mtg. pad to bushing center.

With large drive opening. Similar to 51-1111 except 51-1111 w/ small drive opening.

Components:

62-1500 Bushing



51-1111
D.E. Housing
'No Shim' Version
Aluminum

For: Delco 27MT Series DD Starters

Used On: (1988-84) Chevrolet, GMC

Replaces: Delco 1985567*, 10496538

Unit Nos: Delco 1113590, 1113591, 1998401, 1998454

Lester Nos: 6343

Dim:

Mtg. Ear-1 Hole Size: 10mm

Mtg. Pad to Bushing Center: 49mm

Mtg. Ear-2 Hole Size: 10mm

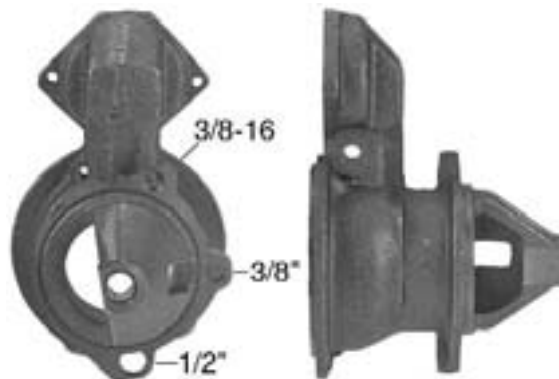
Note: *51-1111 can replace shim version w/ 47mm mtg. pad to bushing center.

With small drive opening. Similar to 51-177 except 51-177 w/ large drive opening.

Components:

62-1500 Bushing

10MT, 20-27MT, SD300 Series (Cast Iron)



51-111
D.E. Housing
Cast Iron

For: Delco 10MT, SD300 Series DD Starters

Used On: (1989-73) Chevrolet, GMC

Replaces: Delco 1970259

Unit Nos: Delco 1107233, 273, 274, 286, 312, 315, 369, 497, 664, 688, 712, 754, 889, 891; 1108332, 355, 360, 368, 372, 385, 481, 486, 489, 784, 787, 793; 1109078, 099, 447, 582; 1998224, 245, 256, 275, 444, 473, 563, 592, 598

Lester Nos: 3686

Dim:

Mtg. Ear-1 Hole Size: 3/8-16

Mtg. Ear-1 to Bushing Center: 47mm

Mtg. Ear-2 Hole Size: 3/8"

Mtg. Ear-2 to Bushing Center: 47mm

Mtg. Ear-3 Hole Size: 1/2"

Mtg. Ear-3 to Bushing Center: 47mm

Locating Dia: 76mm

Components:

62-1402 Bushing

STARTER - HOUSINGS, D.E. (51-)

DELCO

10MT, 20-27MT, SD300 (Cast Iron) (cont'd.)



51-112
D.E. Housing
Cast Iron

For: Delco 10MT, 20MT, 22MT, 25MT, 27MT, SD300 Series DD Starters

Replaces: Delco 1986826

Unit Nos: Delco 1107194, 205, 209, 229, 249, 268, 292, 334, 350, 510, 522, 539, 543, 546, 564, 578, 581, 720, 744, 760, 785, 854, 855, 866, 873, 884, 898; 1108289, 321, 343, 344, 358, 396, 422, 494; 1109081, 083, 089, 094, 145, 198, 263, 271, 272, 360, 377, 427, 432, 572, 575; 1998212, 218, 259, 265, 270, 283, 290, 302, 307, 328, 330, 332, 333, 342, 352, 362, 375, 376, 378, 392, 394, 480, 496; 10455316, 320

Lester Nos: 4237, 4249, 4383, 4393, 6178

Dim:

Mtg. Ear-1 Hole Size: .42"

Mtg. Ear-1 to Bushing Center: 64mm

Mtg. Ear-2 Hole Size: .42"

Mtg. Ear-2 to Bushing Center: 64mm

Mtg. Ear-3 Hole Size: .42"

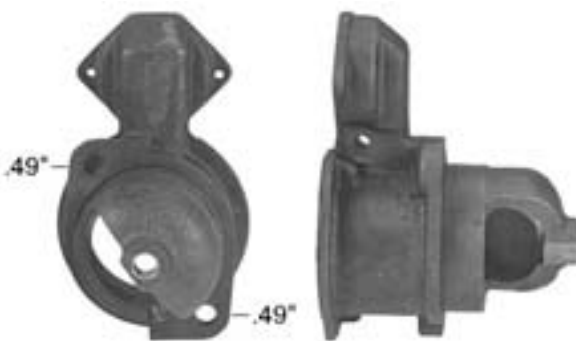
Mtg. Ear-3 to Bushing Center: 64mm

Locating Dia: 89mm

Components:

62-1406 Bushing

76-1831 Oil Wick



51-113
D.E. Housing
Cast Iron

For: Delco 10MT, SD300 Series DD Starters

Replaces: Delco 1891402

Unit Nos: Delco 1108769, 1998252

Lester Nos: 4545

Dim:

Mtg. Ear-1 Hole Size: .49"

Mtg. Ear-1 to Bushing Center: 52mm

Mtg. Ear-2 Hole Size: .49"

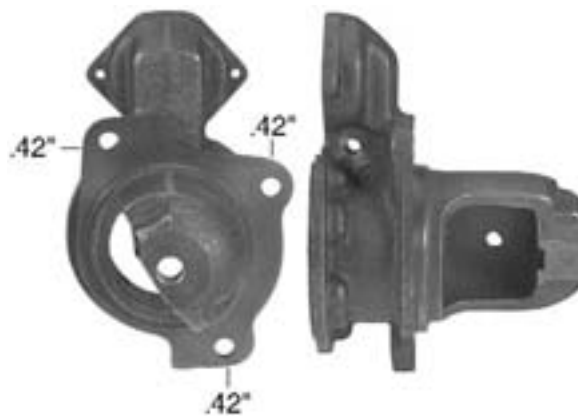
Mtg. Ear-2 to Bushing Center: 52mm

Locating Dia: 82mm

Note: Mtg. ear-1 hole clocked 4:45. Mtg. ear-2 hole clocked 10:45. Similar to 51-134 except 51-134 w/ mtg. ear-1 hole clocked 4:30 and mtg. ear-2 hole clocked 10:30 and w/ machined recess for 53-112 C.S. plate.

Components:

62-1406 Bushing



51-114
D.E. Housing
Cast Iron, Wet Clutch

For: Delco 10MT, 20MT, 22MT, SD300 Series DD Starters

Replaces: Delco 1971532

Unit Nos: Delco 1108284, 390; 1109143, 1998505, 10455322

Dim:

Mtg. Ear-1 Hole Size: .42"

Mtg. Ear-1 to Bushing Center: 62mm

Mtg. Ear-2 Hole Size: .42"

Mtg. Ear-2 to Bushing Center: 64mm

Mtg. Ear-3 Hole Size: .42"

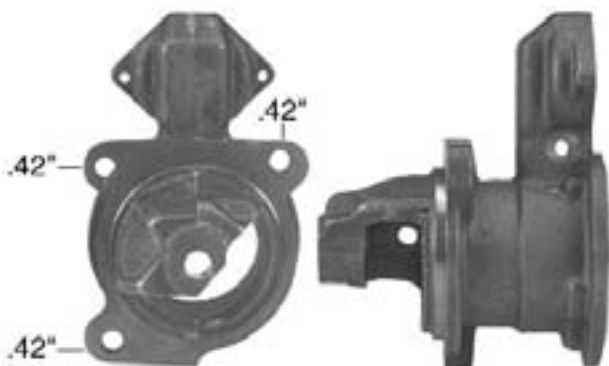
Mtg. Ear-3 to Bushing Center: 64mm

Locating Dia: 89mm

Note: 51-114 and 51-189 appear similar but are not interchangeable. 51-114 has offset mtg. from locating ring center to shaft center.

Components:

62-1406 Bushing



51-115
D.E. Housing
Cast Iron, Wet Clutch

For: Delco 10MT, 20MT, 22MT, SD300 Series DD Starters

Replaces: Delco 1962932

Unit Nos: Delco 1107308, 1108508, 1108696, 1109087, 1109422, 1998263, 1998297, 1998349, 10455332

Dim:

- Mtg. Ear-1 Hole Size: .42"
- Mtg. Ear-1 to Bushing Center: 64mm
- Mtg. Ear-2 Hole Size: .42"
- Mtg. Ear-2 to Bushing Center: 64mm
- Mtg. Ear-3 Hole Size: .42"
- Mtg. Ear-3 to Bushing Center: 64mm
- Locating Dia: 89mm

Components:

62-1406 Bushing



51-124
D.E. Housing
Cast Iron

For: Delco 10MT, SD300 Series DD Starters

Replaces: Delco 1942920, 1955336

Unit Nos: Delco 1107709, 1107710, 1107742, 1107763, 1108373, 1108374, 1109356, 1109369, 1998280, 1998289

Lester Nos: 4162

Dim:

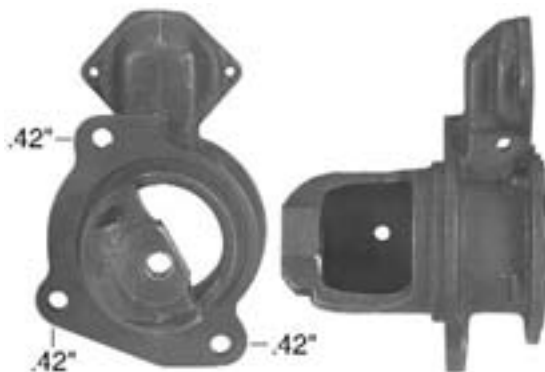
- Mtg. Ear-1 Hole Size: .49"
- Mtg. Ear-1 to Bushing Center: 52mm
- Mtg. Ear-2 Hole Size: .49"
- Mtg. Ear-2 to Bushing Center: 52mm
- Locating Dia: 82mm

Note: Without mtg. holes for C.S. plate.

Similar to 51-194 except 51-194 has mtg. holes for C.S. plate.

Components:

62-1400 Bushing



51-116
D.E. Housing
Cast Iron

For: Delco 10MT, 20MT, 22MT, 25MT, 27MT, SD300 Series DD Starters

Replaces: Delco 1986743

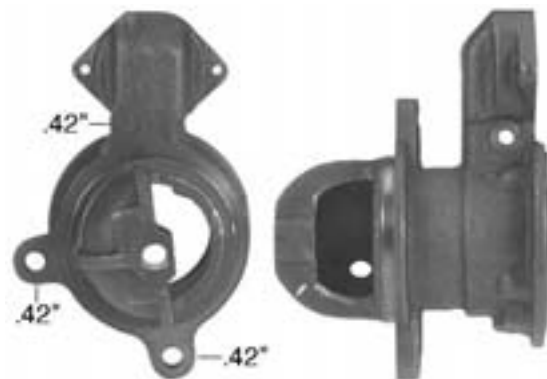
Unit Nos: Delco 1107359, 1107867, 1108482, 1109270, 1109361, 1109570, 1109594, 1998284, 1998343, 1998374

Dim:

- Mtg. Ear-1 Hole Size: .42"
- Mtg. Ear-1 to Bushing Center: 64mm
- Mtg. Ear-2 Hole Size: .42"
- Mtg. Ear-2 to Bushing Center: 64mm
- Mtg. Ear-3 Hole Size: .42"
- Mtg. Ear-3 to Bushing Center: 64mm
- Locating Dia: 89mm

Components:

62-1406 Bushing
 76-1831 Oil Wick



51-126
D.E. Housing
Cast Iron, Wet Clutch

For: Delco 10MT, 20MT, SD300 Series DD Starters

Replaces: Delco 1966232

Unit Nos: Delco 1107377, 1107378, 1108197, 1108693, 1109090, 1109091, 1998266, 1998267, 10455333, 10455351

Dim:

- Mtg. Ear-1 Hole Size: .42"
- Mtg. Ear-1 to Bushing Center: 64mm
- Mtg. Ear-2 Hole Size: .42"
- Mtg. Ear-2 to Bushing Center: 64mm
- Mtg. Ear-3 Hole Size: .42"
- Mtg. Ear-3 to Bushing Center: 64mm
- Locating Dia: 89mm

Components:

62-1406 Bushing

STARTER - HOUSINGS, D.E. (51-)

DELCO

10MT, 20-27MT, SD300 (Cast Iron) (cont'd.)



51-128
D.E. Housing
Cast Iron

For: Delco 10MT, SD300 Series DD Starters

Used On: (1982-73) Buick, Chevrolet, GMC, Oldsmobile, Pontiac

Replaces: Delco 1984098

Unit Nos: Delco 1107289, 342, 365, 388, 694; 1108282, 418, 520, 775, 783, 788, 799; 1109029, 059, 067, 074, 573; 1998225

Lester Nos: 3554, 3556, 3560, 3627, 3649, 3689

Dim:

Mtg. Ear-1 Hole Size: 3/8"

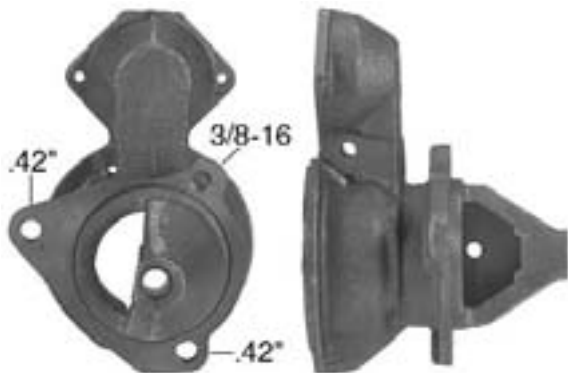
Mtg. Pad to Bushing Center: 43mm

Mtg. Ear-2 Hole Size: 3/8"

Components:

62-1400 Bushing (WAI Hsg.)

62-1402 Bushing (OE Hsg.)



51-130
D.E. Housing
Cast Iron

For: Delco 10MT, SD300 Series DD Starters

Replaces: Delco 1939977, 1966804, 1970338

Unit Nos: Delco 1107321, 1107383, 1107895, 1108362, 1108364, 1108485, 1108785, 1109030, 1109079, 1109565, 1998257, 1998474, 1998593, 10455335

Lester Nos: 3633

(cont'd.)

(cont'd.)

Dim:

Mtg. Ear-1 Hole Size: 3/8-16

Mtg. Ear-1 to Bushing Center: 48mm

Mtg. Ear-2 Hole Size: .42"

Mtg. Ear-2 to Bushing Center: 48mm

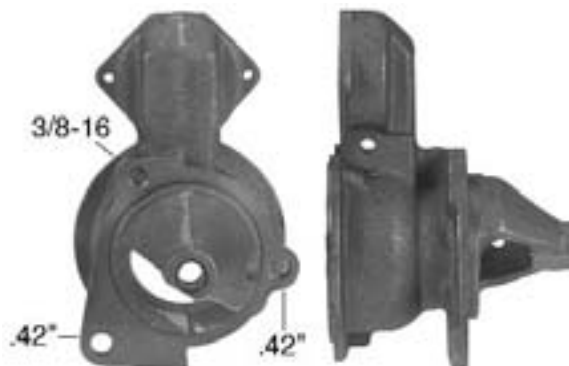
Mtg. Ear-3 Hole Size: .42"

Mtg. Ear-3 to Bushing Center: 62mm

Locating Dia: 76mm

Components:

62-1402 Bushing



51-131
D.E. Housing
Cast Iron

For: Delco 10MT, SD300 Series DD Starters

Used On: Chevrolet

Replaces: Delco 1970235

Unit Nos: Delco 1108345, 1108369, 1108487, 1108753, 1108792, 1109032, 1109034, 1109060, 1109075, 1998206, 1998228, 1998231, 1998250, 1998472, 1998501, 1998596, 10455311, 10455346

Lester Nos: 3551, 4174

Dim:

Mtg. Ear-1 Hole Size: .42"

Mtg. Ear-1 to Bushing Center: 48mm

Mtg. Ear-2 Hole Size: .42"

Mtg. Ear-2 to Bushing Center: 62mm

Mtg. Ear-3 Hole Size: 3/8-16

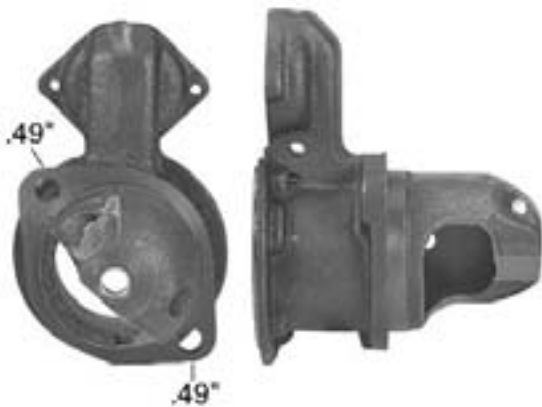
Mtg. Ear-3 to Bushing Center: 48mm

Locating Dia: 76mm

Components:

62-1400 Bushing (WAI Hsg.)

62-1402 Bushing (OE Hsg.)



51-134
D.E. Housing
Cast Iron

For: Delco 10MT, 20MT, 22MT, 25MT, 27MT, SD300 Series DD Starters

Replaces: Delco 1964431, 1986455

Unit Nos: Delco 1107339, 1107577, 1107599, 1107863, 1107871, 1108319, 1109262, 1109265, 1109421, 1109576, 1998346, 1998365, 1998367

Dim:

Mtg. Ear-1 Hole Size: .49"
Mtg. Ear-1 to Bushing Center: 52mm
Mtg. Ear-2 Hole Size: .49"
Mtg. Ear-2 to Bushing Center: 52mm
Locating Dia: 82mm

Note: Mtg. ear-1 hole clocked 4:30.

Mtg. ear-2 hole clocked 10:30.

w/ machined recess for 53-112 C.S. plate.

Similar to 51-113 except 51-113 w/ mtg. ear-1 hole clocked 4:45 and mtg. ear-2 hole clocked 10:45 and wo/ machined recess for 53-112 C.S. plate.

Components:

62-1406 Bushing
76-1831 Oil Wick



51-135
D.E. Housing
Cast Iron

For: Delco 10MT, SD300 Series DD Starters

Replaces: Delco 1852012, 1966222, 1966227

Unit Nos: Delco 1107371, 1107375, 1107376, 1108357, 1108483, 1108484, 1108752, 1109033, 1109076, 1109368, 1998229, 1998248, 1998470, 1998499, 1998594, 10455309, 10455344, 15555619

(cont'd.)

(cont'd.)

Lester Nos: 4038, 4349, 4430, 6376

Dim:

Mtg. Ear-1 Hole Size: .49"
Mtg. Ear-1 to Bushing Center: 70mm
Mtg. Ear-2 Hole Size: .49"
Mtg. Ear-2 to Bushing Center: 70mm
Locating Dia: 82mm

Components:

62-1400 Bushing (WAI Hsg.)
62-1402 Bushing (OE Hsg.)



51-136
D.E. Housing
Cast Iron

For: Delco 10MT, SD300 Series DD Starters

Used On: (1973) Cadillac

Replaces: Delco 1969223, 1970238

Unit Nos: Delco 1108347, 1108370, 1108371, 1108488, 1108754, 1109035, 1109077, 1998230, 1998249, 1998471, 1998500, 1998595, 10455310, 10455345

Lester Nos: 3533, 4208

Dim:

Mtg. Ear-1 Hole Size: 3/8"
Mtg. Ear-1 to Bushing Center: 47mm
Mtg. Ear-2 Hole Size: .42"
Mtg. Ear-2 to Bushing Center: 47mm
Mtg. Ear-3 Hole Size: 3/8-16
Mtg. Ear-3 to Bushing Center: 47mm
Locating Dia: 76mm

Components:

62-1400 Bushing (WAI Hsg.)
62-1402 Bushing (OE Hsg.)

STARTER - HOUSINGS, D.E. (51-)

DELCO

10MT, 20-27MT, SD300 (Cast Iron) (cont'd.)



51-137

D.E. Housing Cast Iron, Wet Clutch

For: Delco 10MT, 20MT, SD300 Series DD Starters

Used On: Hyster

Replaces: Delco 1960888, 1965471

Unit Nos: Delco 1107557, 1107582, 1998337, 1998575, 10455331

Dim:

Mtg. Ear-1 Hole Size: .42"

Mtg. Ear-1 to Bushing Center: 64mm

Mtg. Ear-2 Hole Size: .42"

Mtg. Ear-2 to Bushing Center: 64mm

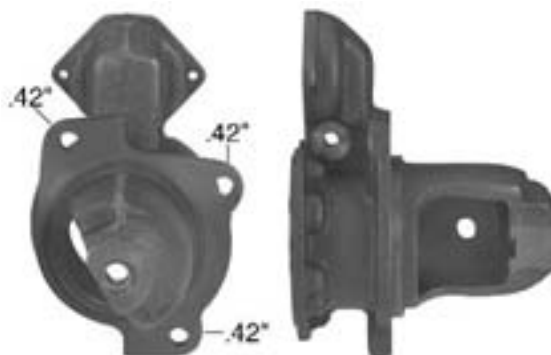
Mtg. Ear-3 Hole Size: .42"

Mtg. Ear-3 to Bushing Center: 64mm

Locating Dia: 89mm

Components:

62-1406 Bushing



51-189

D.E. Housing Cast Iron, Wet Clutch

For: Delco 10MT, 20MT, 22MT, 27MT, SD300 Series DD Starters

Replaces: Delco 1963772

Unit Nos: Delco 1107335, 1107583, 1107592, 1107874, 1108443, 1108493, 1109418, 1109423, 1109439, 1113600, 1998293, 1998298, 1998340, 1998468, 1998576, 10455324, 10455326, 10455327, 10455349

Dim:

Mtg. Ear-1 Hole Size: .42"

Mtg. Ear-1 to Bushing Center: 64mm

Mtg. Ear-2 Hole Size: .42"

Mtg. Ear-2 to Bushing Center: 64mm

Mtg. Ear-3 Hole Size: .42"

Mtg. Ear-3 to Bushing Center: 64mm

Locating Dia: 89mm

Note: 51-114 and 51-189 appear similar but are not interchangeable. 51-114 has offset mtg. from locating ring center to shaft center.

Components:

62-1406 Bushing



51-179

D.E. Housing Cast Iron

For: Delco 10MT, 20MT, 22MT, 25MT, 27MT, SD300 Series DD Starters

Replaces: Delco 1956262, 1970676, 1987566

Unit Nos: Delco 1107512, 1107853, 1107860, 1107870, 1108379, 1108397, 1109264, 1998345, 1998377

Dim:

Mtg. Ear-1 Hole Size: .49"

Mtg. Ear-1 to Bushing Center: 70mm

Mtg. Ear-2 Hole Size: .49"

Mtg. Ear-2 to Bushing Center: 73mm

Mtg. Ear-3 Hole Size: .49"

Mtg. Ear-3 to Bushing Center: 73mm

Locating Dia: 92mm

Components:

62-1406 Bushing



51-190

D.E. Housing Cast Iron

For: Delco 10MT, 20MT, 22MT, 27MT, SD300 Series DD Starters

Replaces: Delco 1986854

Unit Nos: Delco 1107356, 386, 580, 589; 1108322, 416, 449, 698; 1109144, 417, 424, 435, 542, 550; 1113593, 594; 1998292, 299, 308, 336, 383, 387, 408, 423, 424, 456, 457, 459, 479, 481, 486, 490, 498; 10455336, 337, 339, 352, 353, 354

Lester Nos: 3300

(cont'd.)

STARTER - FRAMES (C.E., C.S., D.E.)

(cont'd.)

Dim:

Mtg. Ear-1 Hole Size: .42"
 Mtg. Ear-1 to Bushing Center: 64mm
 Mtg. Ear-2 Hole Size: .42"
 Mtg. Ear-2 to Bushing Center: 64mm
 Mtg. Ear-3 Hole Size: .42"
 Mtg. Ear-3 to Bushing Center: 64mm
 Locating Dia: 89mm

Components:

62-1406 Bushing
 76-1831 Oil Wick



51-194
D.E. Housing
Cast Iron

For: Delco 10MT, SD300 Series DD Starters
Replaces: Delco 1852859
Unit Nos: Delco 1108278, 1108525, 1108742, 1109358, 1998282, 1998421
Lester Nos: 4339

Dim:

Mtg. Ear-1 Hole Size: .49"
 Mtg. Ear-1 to Bushing Center: 52mm
 Mtg. Ear-2 Hole Size: .49"
 Mtg. Ear-2 to Bushing Center: 52mm
 Locating Dia: 82mm
Note: With mtg. holes for C.S. plate.
 Similar to 51-124 except 51-124 wo/ mtg. holes for C.S. plate.

Components:

62-1400 Bushing



51-1146
D.E. Housing
Cast Iron

For: Delco 10MT, SD300 Series DD Starters
Used On: Massey-Ferguson Farm & Industrial Equipment
Replaces: Delco 1934316, Ref# C-2749
Unit Nos: Delco 1107654
Lester Nos: 4145
Components:
 62-1501 Bushing

28MT Series



51-8401
D.E. Housing
'No Shim' Version
Aluminum

For: Delco 28MT Series OSGR Starters
Used On: (2002-89) Chevrolet, GMC
Replaces: Delco 10456471*, 10456472
Unit Nos: Delco 1113269*, 1113270, 1113295*, 1113296, 10479611

Lester Nos: 6468*, 6469

Dim:

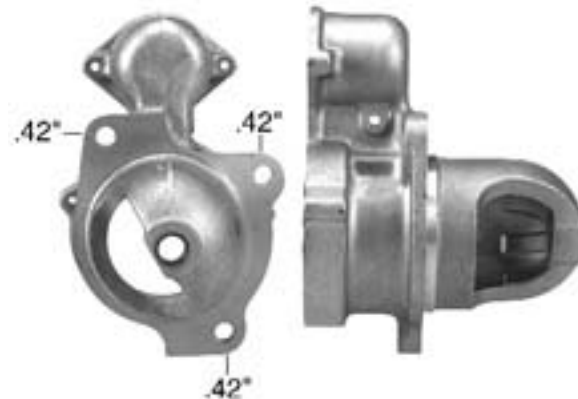
Mtg. Ear-1 Hole Size: 10mm
 Mtg. Pad to Bushing Center: 49mm
 Mtg. Ear-2 Hole Size: 10mm

Note: With large drive opening.

*D.E. housing w/ small drive opening has been superseded to D.E. housing w/ large drive opening.

Components:

62-84500 Bushing



51-8403
D.E. Housing
Aluminum

For: Delco 28MT Series OSGR Starters
Used On: Allis-Chalmers, Clark, Ford New Holland, Hyster, IHC, Lister-Petter, Massey Ferguson, Melroe, Oshkosh, Perkins, White
Replaces: Delco 10457030, 10457180
Unit Nos: Delco 1113273, 1113274, 1113290, 10479604, 10479607, 10479608, 10479612, 10479613

Dim:

Mtg. Ear-1 Hole Size: .42"
 Mtg. Ear-1 to Bushing Center: 64mm
 Mtg. Ear-2 Hole Size: .42"
 Mtg. Ear-2 to Bushing Center: 64mm
 Mtg. Ear-3 Hole Size: .42"
 Mtg. Ear-3 to Bushing Center: 64mm
 Locating Dia: 89mm

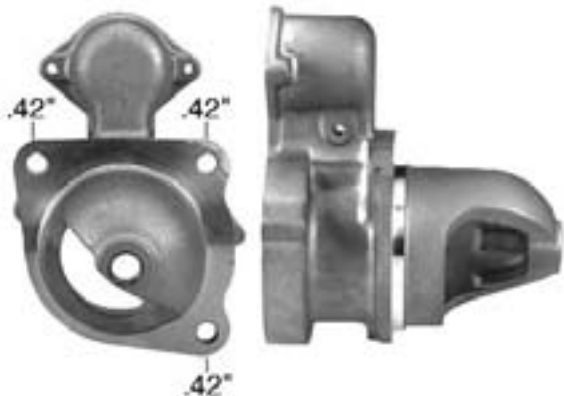
Components:

62-84500 Bushing

STARTER - HOUSINGS, D.E. (51-)

DELCO

28MT Series (cont'd.)



51-8404
D.E. Housing
Aluminum

For: Delco 28MT Series OSGR Starters
Used On: Allis-Chalmers, Champion Motor Coach, Consolidated Diesel, Cummins, Detroit Diesel, DMT Corp, Dresser Construction, Freightliner, Hyster, Mack, Melroe, Perkins, Toro, Versatile, White

Replaces: Delco 10457026

Unit Nos: Delco 1113275, 1113276, 1113277, 1113278, 1113291, 1113292, 10479605, 10479616, 10479617

Lester Nos: 6573

Dim:

- Mtg. Ear-1 Hole Size: .42"
- Mtg. Ear-1 to Bushing Center: 64mm
- Mtg. Ear-2 Hole Size: .42"
- Mtg. Ear-2 to Bushing Center: 64mm
- Mtg. Ear-3 Hole Size: .42"
- Mtg. Ear-3 to Bushing Center: 64mm
- Locating Dia: 89mm

Components:

- 62-84500 Bushing



51-8405
D.E. Housing
Aluminum

For: Delco 28MT Series OSGR Starters
Used On: Allis-Chalmers, Bluebird, Clark, DMT, Deutz, Ford New Holland, Ford Truck, IHC, Jacobsen, Lister-Petter, Massey Ferguson, Melroe, Perkins, Versatile, Waukesha, White
Replaces: Delco 10457029, 10457170
Unit Nos: Delco 1113279, 280, 281, 282, 285; 10479600, 606, 615, 618, 629

Lester Nos: 6585

Dim:

- Mtg. Ear-1 Hole Size: .42"
- Mtg. Ear-1 to Bushing Center: 64mm
- Mtg. Ear-2 Hole Size: .42"
- Mtg. Ear-2 to Bushing Center: 64mm
- Mtg. Ear-3 Hole Size: .42"
- Mtg. Ear-3 to Bushing Center: 64mm
- Locating Dia: 89mm

Components:

- 62-84500 Bushing



51-8409
D.E. Housing
Aluminum

For: Delco 28MT Series OSGR Starters
Used On: (1993) Ford Truck, Hough International
Replaces: Delco 10457142
Unit Nos: Delco 1113284, 10479614
Lester Nos: 6595

Dim:

- Mtg. Ear-1 Hole Size: .42"
- Mtg. Ear-1 to Bushing Center: 64mm
- Mtg. Ear-2 Hole Size: .42"
- Mtg. Ear-2 to Bushing Center: 64mm
- Mtg. Ear-3 Hole Size: .42"
- Mtg. Ear-3 to Bushing Center: 64mm
- Locating Dia: 89mm

Components:

- 62-84500 Bushing

STARTER - FRAMES (C.E., C.S., D.E.)

30MT, 35MT Series



51-145
D.E. Housing
Cast Iron

For: Delco 30MT, 35MT Series External Rotatable DD Starters

Replaces: Delco 1851987, 1852957, 1852994*, 1978692

Unit Nos: Delco 1113216, 228, 229, 236, 237, 245, 250, 253, 254, 256, 258, 259, 261, 262, 263, 396, 397, 399, 404, 405, 413, 419, 425, 426, 430, 433, 447, 478, 497, 582, 586

Dim:

Mtg. Ear-1 Hole Size: 5/8"
Mtg. Ear-1 to Bushing Center: 73mm
Mtg. Ear-2 Hole Size: 5/8"
Mtg. Ear-2 to Bushing Center: 73mm
Mtg. Ear-3 Hole Size: 5/8"
Mtg. Ear-3 to Bushing Center: 73mm
Locating Dia: 92mm

Note: *Use 76-1200 mtg. bushings to reduce mtg. holes to .53" dia.

Components:

62-1504 Bushing
76-1831 Oil Wick
76-1954 Pipe Plug



51-154
D.E. Housing
Cast Iron

For: Delco 30MT, 35MT Series Internal Rotatable DD Starters

Replaces: Delco 1947803, 1948993, 1949406, 1949906

Unit Nos: Delco 1113113, 120, 124, 135, 137, 148, 149, 155, 190, 191, 193, 195, 196, 201, 203, 212, 215, 225, 402, 641, 650, 651, 653, 656, 660, 668, 672, 676, 680, 683, 690

Dim:

Mtg. Ear-1 Hole Size: .42"
Mtg. Ear-1 to Bushing Center: 64mm
Mtg. Ear-2 Hole Size: .42"
Mtg. Ear-2 to Bushing Center: 64mm
Mtg. Ear-3 Hole Size: .42"
Mtg. Ear-3 to Bushing Center: 64mm
Locating Dia: 95mm

Components:

62-1504 Bushing
76-1831 Oil Wick
76-1954 Pipe Plug



51-159
D.E. Housing
Cast Iron

For: Delco 30MT, 35MT Series Internal Rotatable DD Starters

Replaces: Delco 1942242, 1946013, 1951207

Unit Nos: Delco 1113059, 089, 090, 100, 101, 111, 130, 131, 136, 150, 153, 162, 163, 177, 182, 183, 185, 208, 368, 373, 548, 635, 637, 646, 654, 663, 697, 698

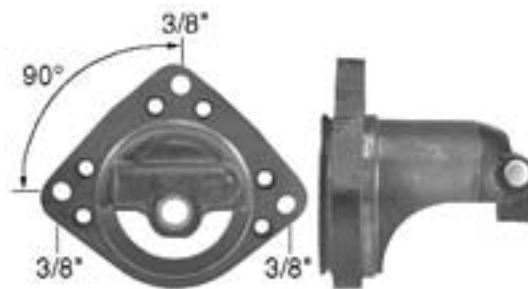
Dim:

Mtg. Ear-1 Hole Size: 5/8"
Mtg. Ear-1 to Bushing Center: 73mm
Mtg. Ear-2 Hole Size: 5/8"
Mtg. Ear-2 to Bushing Center: 73mm
Mtg. Ear-3 Hole Size: 5/8"
Mtg. Ear-3 to Bushing Center: 73mm
Locating Dia: 89mm

Components:

62-1504 Bushing
76-1831 Oil Wick
76-1954 Pipe Plug

37MT Series



51-163
D.E. Housing
Cast Iron

For: Delco 37MT Series DD Starters

Replaces: Delco 1986351

Unit Nos: Delco 1990309, 315, 318, 320, 321, 322, 326, 327; 1993701, 705, 709, 711, 712, 723, 726, 728, 736, 741, 754, 762, 764, 765, 768, 769, 790, 791, 792, 799, 800, 829, 881, 883, 884, 885, 886, 891, 894, 917, 930, 955, 957, 988; 10478814, 819, 831, 928, 953, 957; 10479015, 035, 036, 054, 170

Dim:

Mtg. Ear-1 Hole Size: .42"
Mtg. Ear-1 to Bushing Center: 64mm
Mtg. Ear-2 Hole Size: .42"
Mtg. Ear-2 to Bushing Center: 64mm
Mtg. Ear-3 Hole Size: .42"
Mtg. Ear-3 to Bushing Center: 64mm
Locating Dia: 89mm

Note: Mtg. ear holes positioned 90° apart.

Similar to 51-1118 except 51-1118 w/ mtg. ear holes positioned 93° apart.

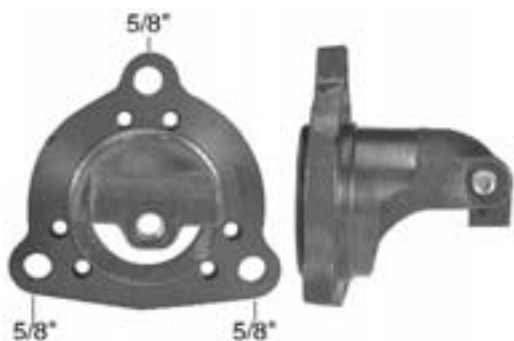
Components:

62-1504 Bushing
76-1825 Plug
76-1826 Oil Wick

STARTER - HOUSINGS, D.E. (51-)

DELCO

37MT Series (cont'd.)



51-164
D.E. Housing
Cast Iron

For: Delco 37MT Series DD Starters

Replaces: Delco 1985465, 1986333*

Unit Nos: Delco 1990310, 312, 313, 316, 317, 319, 330, 332, 341; 1993707, 713, 719, 729, 732, 737, 742, 744, 745, 761, 763, 770, 778, 787, 794, 818, 819, 853, 861, 865, 869, 871, 874, 880, 887, 901, 902, 909, 910, 911, 914, 920, 928, 931, 953, 958, 964, 969, 970, 971, 974, 992, 997; 10478890, 921; 10479034, 175

Dim:

Mtg. Ear-1 Hole Size: 5/8"
Mtg. Ear-1 to Bushing Center: 73mm
Mtg. Ear-2 Hole Size: 5/8"
Mtg. Ear-2 to Bushing Center: 73mm
Mtg. Ear-3 Hole Size: 5/8"
Mtg. Ear-3 to Bushing Center: 73mm
Locating Dia: 89mm

Note: *Use 76-1200 mtg. bushings to reduce mtg. holes to .53" dia.

Can also be used to replace 10473855 and 10476530* 41MT D.E. housings, but requires 62-1504 bushing to be removed and 62-1600 bushing to be installed.

Similar to 51-165 except 51-165 has different mtg. ear to bushing centers w/ stepped mtg. flange.

Components:

62-1504 Bushing
76-1825 Plug
76-1826 Oil Wick



51-165
D.E. Housing
Cast Iron

For: Delco 37MT Series DD Starters

Replaces: Delco 1986240

Unit Nos: Delco 1990308, 347; 1993702, 738, 759, 767, 789, 837, 850, 854, 855, 866, 905, 981
(cont'd.)

(cont'd.)

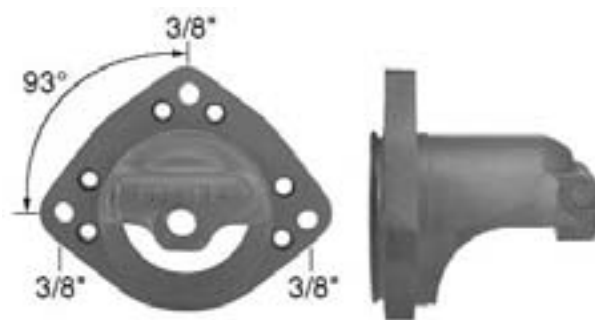
Dim:

Mtg. Ear-1 Hole Size: 5/8"
Mtg. Ear-1 Thickness: 16mm
Mtg. Ear-1 to Bushing Center: 77mm
Mtg. Ear-2 Hole Size: 5/8"
Mtg. Ear-2 Thickness: 12.5mm
Mtg. Ear-2 to Bushing Center: 71mm
Mtg. Ear-3 Hole Size: 5/8"
Mtg. Ear-3 Thickness: 12.5mm
Mtg. Ear-3 to Bushing Center: 71mm
Locating Dia: 89mm

Note: Similar to 51-164 except 51-164 has different mtg. ear to bushing centers and mtg. ear thickness

Components:

62-1504 Bushing
76-1825 Plug
76-1826 Oil Wick



51-1118
D.E. Housing
Cast Iron

For: Delco 37MT Series DD Starters

Replaces: Delco 1987887

Unit Nos: Delco 1990499, 1993756, 1993817, 1993838, 1993862, 1993879, 1993903, 1993919, 1993921, 1993954, 1993956, 1993986, 10478805

Dim:

Mtg. Ear-1 Hole Size: 3/8"
Mtg. Ear-1 to Bushing Center: 64mm
Mtg. Ear-2 Hole Size: 3/8"
Mtg. Ear-2 to Bushing Center: 64mm
Mtg. Ear-3 Hole Size: 3/8"
Mtg. Ear-3 to Bushing Center: 64mm
Locating Dia: 89mm

Note: Mtg. ear holes positioned 93° apart.

Similar to 51-163 except 51-163 w/ mtg. ear holes positioned 90° apart.

Components:

62-1504 Bushing
76-1825 Plug
76-1826 Oil Wick

STARTER - FRAMES (C.E., C.S., D.E.)



51-1119
D.E. Housing
Cast Iron

For: Delco 37MT Series DD Starters

Replaces: Delco 10499864

Unit Nos: Delco 1993831, 851, 918, 947, 950, 951, 963, 965, 966, 967, 972, 994; 10478806, 811, 825, 826, 927, 929, 930, 949, 960, 976; 10479014, 016, 020, 068, 069, 169, 186, 195

Dim:

Mtg. Ear-1 Hole Size: 3/8"

Mtg. Ear-1 to Bushing Center: 64mm

Mtg. Ear-2 Hole Size: 3/8"

Mtg. Ear-2 to Bushing Center: 64mm

Mtg. Ear-3 Hole Size: 3/8"

Mtg. Ear-3 to Bushing Center: 64mm

Locating Dia: 89mm

Note: Can also be used to replace Delco 10472566 41MT D.E. housing but requires 62-1504 bushing to be removed and 62-1600 bushing installed.

Components:

62-1504 Bushing

76-1825 Plug

76-1826 Oil Wick

40MT, 42MT, 50MT Series



51-167
D.E. Housing
Cast Iron

For: Delco 40MT, 50MT Series DD Starters

Replaces: Delco 1945506, 1945963, 1948452, 1948542*, 1949606, 1951189, 1957846, 1957847, 1961666, 1969323*, 1970454, 1970455

Unit Nos: Delco 1109220-222, 224, 274-279, 281, 282, 285-292, 295-298, 494, 545, 553, 554, 624-628, 631, 637, 638, 640, 642, 643, 645, 647-649, 755, 759, 768, 769, 771-777, 780, 790, 791, 795-799, 828-831, 839-842, 845-848, 961-965, 970, 979, 980, 984, 985, 988, 996, 998; 1113353, 366, 370-372, 375, 384-386, 393, 406, 407, 410, 472, 475, 483, 500, 532, 538, 540, 541, 543, 544, 546, 547, 583, 631, 638, 643, 658, 664, 669, 670, 674, 678, 691, 693, 818, 820, 824, 825, 827, 831, 840, 842, 845, 846, 849, 850-853, 856, 857-859, 865, 866, 870-878, 883, 884, 887-889, 895, 899, 900, 905-908, 910, 911, 914, 920, 921, 928, 931, 935, 936, 939, 940-942, 945, 947-952, 954-960, 965, 966-973, 975-980, 982, 983, 988, 991-995, 997-999; 1114051, 052, 054-059, 061, 063, 064, 067, 069, 072-074, 076, 077, 078, 079, 080, 081, 084, 086, 087, 088, 090-092, 094-099, 101, 102, 106, 107, 109, 110, 112-115, 117, 119-122, 124-130, 133, 136-154, 156-158, 162-172, 174, 175, 177, 179, 180, 185-187, 189-194, 197-199, 700, 702-712, 714, 715, 718-726, 728, 729, 730, 733-735, 737-756, 759-763, 765-767, 769, 770, 771, 774-777, 780, 782, 785-793, 796-808, 811-816, 819, 820, 823-835, 839, 840, 842-850, 852-863, 865-875, 878-901, 903-914, 917, 918, 920-928, 930, 933-939, 941-945, 947, 950-953, 955-957, 958, 961-967, 970, 972, 975-978, 984-987, 989-991, 993, 999; 1990200, 201, 205, 206, 208-210, 214, 216, 218-221, 225, 226, 228-231, 235-237, 239, 242, 243, 245, 246, 248-255, 259-266, 269-277, 296, 297-300, 302, 303, 307, 324, 325, 329, 335, 340, 342, 343, 346, 481, 482; 1993700, 703, 704, 708, 739, 847, 852, 859, 864, 922, 959, 960, 968, 989; 10478800, 807, 808, 81

Dim:

Mtg. Ear-1 Hole Size: 5/8"

Mtg. Ear-1 to Bushing Center: 73mm

Mtg. Ear-2 Hole Size: 5/8"

Mtg. Ear-2 to Bushing Center: 73mm

Mtg. Ear-3 Hole Size: 5/8"

Mtg. Ear-3 to Bushing Center: 73mm

Locating Dia: 92mm

Note: *Use 76-1200 mtg. bushings to reduce mtg. holes to .53" dia.

Components:

62-1600 Bushing

76-1834 Oil Wick

76-1838 Plug

STARTER - HOUSINGS, D.E. (51-)

DELCO

40MT, 42MT, 50MT Series (cont'd.)



51-168
D.E. Housing
Cast Iron

For: Delco 40MT, 50MT Series DD Starters

Replaces: Delco 1946095, 1946096, 1951837, 1951875

Unit Nos: Delco 1109493, 630, 646, 837, 844, 968, 971, 973, 974, 975, 977, 978; 1113477, 487, 864, 879, 881, 938, 953, 974, 984; 1114047, 062, 070, 071, 075, 085, 093, 100, 105, 135, 137, 161, 163, 176, 178, 183, 736, 757, 758, 772, 773, 778, 783, 810, 817, 818, 836, 841, 864, 876, 877, 902, 919, 932, 940, 968, 969, 982, 988, 992, 997; 1990213, 244, 267, 278, 299, 339

Dim:

Mtg. Ear-1 Hole Size: 5/8"
Mtg. Ear-1 to Bushing Center: 73mm
Mtg. Ear-2 Hole Size: 5/8"
Mtg. Ear-2 to Bushing Center: 73mm
Mtg. Ear-3 Hole Size: 5/8"
Mtg. Ear-3 to Bushing Center: 73mm
Locating Dia: 92mm

Components:

62-1600 Bushing
76-1834 Oil Wick
76-1838 Plug



51-171
D.E. Housing
Cast Iron

For: Delco 42MT Series DD Starters

Replaces: Delco 1988137, 1988438, 1988779

Unit Nos: Delco 1990337, 344, 348, 352-364, 366-370, 373-379, 382, 383, 385-388, 391, 393, 394, 395, 396, 398, 400-408, 411, 413-416, 418-424, 427-430, 432, 435-439, 441, 442, 447, 448, 450, 451, 453, 455-458, 460, 466-471, 473-478, 483-485, 492, 493, 495, 496, 497; 1993774, 776, 782, 783, 785, 786, 788, 795, 796, 797, 802-808, 810, 811, 814-816, 820, 823, 824, 826, 828, 833, 842, 923, 924, 932-941, 943, 944, 961, 975, 977, 982-984, 993, 996, 998, 999; 10478803, 804, (cont'd.)

(cont'd.)

809, 810, 824, 832, 833, 836, 843-845, 848, 849, 851, 852, 854, 857, 858, 860, 863-871, 874-878, 880, 881, 883-885, 887-889, 892-896, 903, 906-912, 915, 917-919, 931, 934-939, 941-944, 946, 947, 951, 952, 962, 964, 965, 977-981, 983-991, 996-998; 10479000-004, 006, 009, 010, 021, 022, 026-028, 030, 037, 038, 052, 053, 062, 065, 067, 072, 081, 082, 091, 092, 145, 164, 168, 18

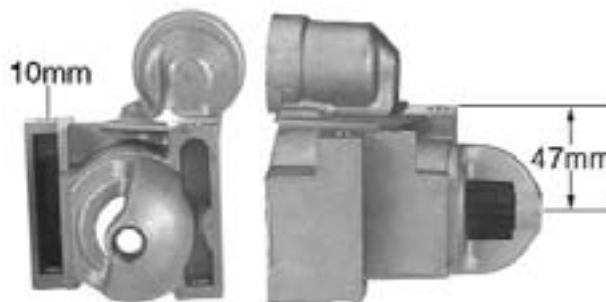
Dim:

Mtg. Ear-1 Hole Size: 5/8"
Mtg. Ear-1 to Bushing Center: 73mm
Mtg. Ear-2 Hole Size: 5/8"
Mtg. Ear-2 to Bushing Center: 73mm
Mtg. Ear-3 Hole Size: 5/8"
Mtg. Ear-3 to Bushing Center: 73mm
Locating Dia: 92mm

Components:

62-1600 Bushing
76-1834 Oil Wick
76-1838 Plug

PG200, PG250 Series



51-199
D.E. Housing
Aluminum

For: Delco PG200, PG250 Series PMGR Starters

Used On: (1990-88) Chevrolet, GMC, Mercury Marine

Replaces: Delco 10496516

Unit Nos: Delco 9000719, 9000735, 9000762, 9000768, 9000789

Lester Nos: 6407, 6409

Dim:

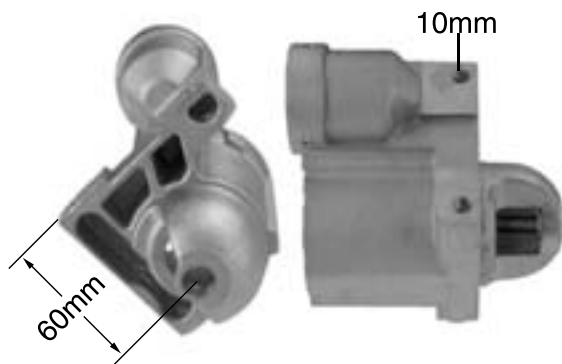
Mtg. Ear-1 Hole Size: 10mm
Mtg. Pad to Bushing Center: 47mm
Mtg. Ear-2 Hole Size: 10mm

Components:

8-201 Needle Bearing

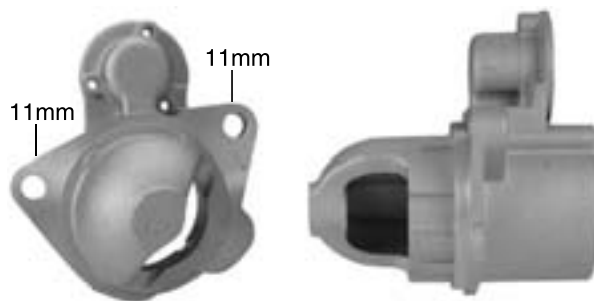
Features:

- Pre-drilled solenoid mtg. Holes



51-1103
D.E. Housing
Aluminum

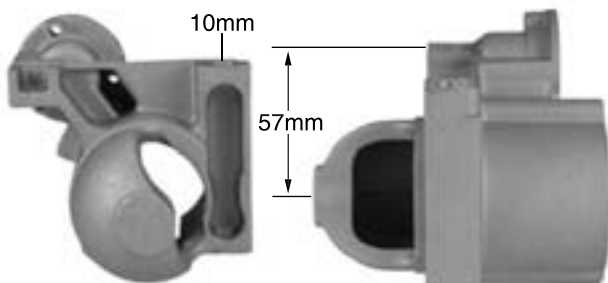
For: Delco PG250 Series PMGR Starters
Used On: (1995-93) Buick, Cadillac, Chevrolet, Pontiac
Replaces: Delco 10495908
Unit Nos: Delco 9000773, 10465143
Lester Nos: 6442
Dim:
 Mtg. Ear-1 Hole Size: 10mm
 Mtg. Pad to Bushing Center: 60mm
 Mtg. Ear-2 Hole Size: 10mm
Note: Used w/ 8-201 Needle Bearing or 62-2403 Bushing
Features:
 • Pre-drilled solenoid mtg. Holes



51-1138
D.E. Housing
Aluminum

For: Delco PG260D Series PMGR Starters
Used On: (2005-02) Chevrolet, Oldsmobile, Pontiac, Saturn, 12575083, 12587865, 89017523
Lester Nos: 6493
WAI Ref. Nos: 2-2144-DR
Dim:
 Mtg. Ear-1 Hole Size: 11mm
 Mtg. Ear-1 to Bushing Center: 55mm
 Mtg. Ear-2 Hole Size: 11mm
 Mtg. Ear-2 to Bushing Center: 49mm
 Locating Dia: 75mm
Components:
 8-201 Needle Bearing

PG260D Series



51-1137
D.E. Housing
Aluminum

For: Delco PG260D Series PMGR Starters
Used On: (2005-01) Buick, Chevrolet, GMC, Oldsmobile, Pontiac, Saturn,
Unit Nos: Delco 8000058, 9000868, 9000901, 9000951, 10455504, 12563764, 12570255, 12579131, 12593764
Lester Nos: 6491
WAI Ref. Nos: 2-2110-DR
Dim:
 Mtg. Ear-1 Hole Size: 10mm
 Mtg. Pad to Bushing Center: 57mm
 Mtg. Ear-2 Hole Size: 10mm
Components:
 8-201 Needle Bearing



51-1147
D.E. Housing
Aluminum

For: Delco PG260D Series PMGR Starters
Used On: (2006-03) Buick, Cadillac, Chevrolet, GMC, Isuzu, Saab
Unit Nos: Delco 8000045, 9000939, 12578050, 12592294
Lester Nos: 6494
WAI Ref. Nos: 2-2336-DR
Dim:
 Mtg. Ear-1 Hole Size: 10mm
 Mtg. Pad to Bushing Center: 50mm
 Mtg. Ear-2 Hole Size: 10mm
Components:
 8-201 Needle Bearing

STARTER - HOUSINGS, D.E. (51-)

DELCO

PG260F1 Series



51-1124
D.E. Housing
Aluminum

For: Delco PG260F1 Series PMGR Starters
Used On: (2001-97) Buick, Chevrolet, GMC, Isuzu, Oldsmobile, Pontiac
Unit Nos: Delco 9000833, 9000847, 9000859
Lester Nos: 6481
WAI Ref. Nos: 2-1814-DR
Dim:
 Mtg. Ear-1 Hole Size: 10mm
 Mtg. Pad to Bushing Center: 58mm
 Mtg. Ear-2 Hole Size: 10mm
Components:
 8-201 Needle Bearing

51-1124-2
D.E. Housing
Aluminum

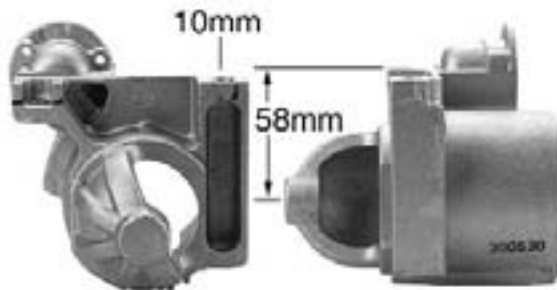
Same as 51-1124 except...
Note: Without 8-201 Needle Bearing



51-1127
D.E. Housing
Aluminum

For: Delco PG260F1 Series PMGR Starters
Used On: Mercury Marine
Unit Nos: Delco 9000839, 9000840
WAI Ref. Nos: 2-1999-DR
Dim:
 Mtg. Ear-1 Hole Size: 10mm
 Mtg. Pad to Bushing Center: 47mm
 Mtg. Ear-2 Hole Size: 10mm
Components:
 8-201 Needle Bearing

PG260F2 Series



51-1125
D.E. Housing
Aluminum

For: Delco PG260F2, PG260L Series PMGR Starters
Used On: (2003-97) Buick, Chevrolet, Oldsmobile, Pontiac
Unit Nos: Delco 9000836, 9000857, 9000882, 24506694
Lester Nos: 6472, 6484
WAI Ref. Nos: 2-1922-DR, 2-2140-DR
Dim:
 Mtg. Ear-1 Hole Size: 10mm
 Mtg. Pad to Bushing Center: 58mm
 Mtg. Ear-2 Hole Size: 10mm
Components:
 8-201 Needle Bearing



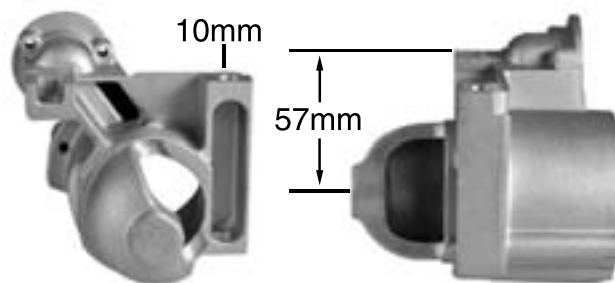
51-1128-1
D.E. Housing
Aluminum

For: Delco PG260F2, PG260L Series PMGR Starters
Used On: (2002-98) Chevrolet, GMC, Isuzu, Oldsmobile
Unit Nos: Delco 9000841, 9000858, 9000879, 9000885, 12563176, 12563828, 12564108, 12570823; Isuzu 8-10465-462-0
Lester Nos: 6449, 6485
WAI Ref. Nos: 2-1954-DR, 2-2143-DR, 2-2323-DR
Dim:
 Mtg. Ear-1 Hole Size: 10mm
 Mtg. Pad to Bushing Center: 47mm
 Mtg. Ear-2 Hole Size: 10mm
Components:
 8-201 Needle Bearing



51-1134
D.E. Housing
Aluminum

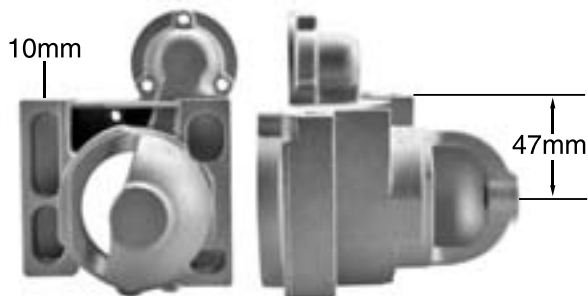
For: Delco PG260F2 Series PMGR Starters
Used On: (2005-00) AM General, Cadillac, Chevrolet, GMC
Replaces: Delco 10486745
Unit Nos: Delco / GM 9000854, 12563908, 12572715
Lester Nos: 6489
WAI Ref. Nos: 2-2054-DR
Dim:
 Mtg. Ear-1 Hole Size: 10mm
 Mtg. Pad to Bushing Center: 50mm
 Mtg. Ear-2 Hole Size: 10mm
Components:
 8-201 Needle Bearing



51-1136
D.E. Housing
Aluminum

For: Delco PG260G Series PMGR Starters
Used On: (2003-01) Buick, Chevrolet, Pontiac
Replaces: Delco 10454516
Unit Nos: Delco 9000872
Lester Nos: 6484
WAI Ref. Nos: 2-2111-DR
Dim:
 Mtg. Ear-1 Hole Size: 10mm
 Mtg. Pad to Bushing Center: 57mm
 Mtg. Ear-2 Hole Size: 10mm
Components:
 8-201 Needle Bearing

PG260G Series



51-1135
D.E. Housing
Aluminum

For: Delco PG260G Series PMGR Starters
Used On: (2003-01) Chevrolet, GMC
Replaces: Delco 10453740
Unit Nos: Delco / GM 9000871, 884, 910, 964; 12563719, 12564107, 12572716
Lester Nos: 6485
WAI Ref. Nos: 2-1999-DR, 2-2112-DR
Dim:
 Mtg. Ear-1 Hole Size: 10mm
 Mtg. Pad to Bushing Center: 47mm
 Mtg. Ear-2 Hole Size: 10mm
Components:
 8-201 Needle Bearing



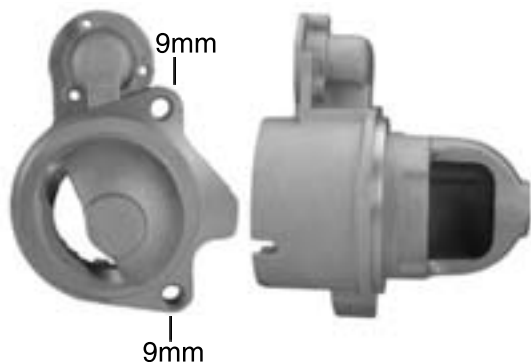
51-1139
D.E. Housing
Aluminum

For: Delco PG260G Series PMGR Starters
Used On: (2004-02) Cadillac, Chevrolet, GMC, Isuzu
Unit Nos: Delco 9000873, 9000925, 12564111, 12573853; Isuzu 8-10465-561-0
Lester Nos: 6489
WAI Ref. Nos: 2-2211-DR
Dim:
 Mtg. Ear-1 Hole Size: 10mm
 Mtg. Pad to Bushing Center: 57mm
 Mtg. Ear-2 Hole Size: 10mm
Components:
 8-201 Needle Bearing

STARTER - HOUSINGS, D.E. (51-)

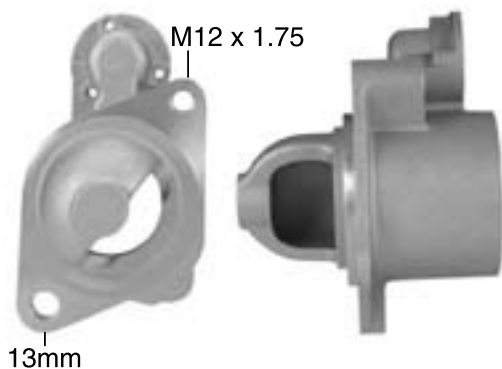
DELCO

PG260L Series



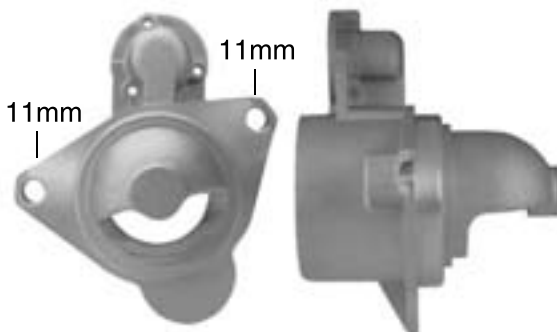
51-1140
D.E. Housing
Aluminum

For: Delco PG260L Series PMGR Starters
Used On: (2005-01) Cadillac, Oldsmobile, Pontiac
Unit Nos: Delco 9000876, 9000896, 12563919, 12572141, 12574832
Lester Nos: 6471
WAI Ref. Nos: 2-2113-DR
Dim:
 Mtg. Ear-1 Hole Size: 9mm
 Mtg. Ear-1 to Bushing Center: 51mm
 Mtg. Ear-2 Hole Size: 9mm
 Mtg. Ear-2 to Bushing Center: 51mm
 Locating Dia: 82mm
Components:
 8-201 Needle Bearing



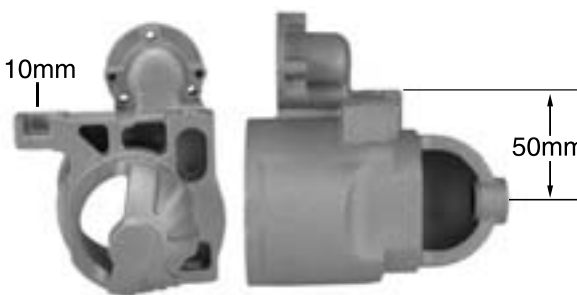
51-1141
D.E. Housing
Aluminum

For: Delco PG260L Series PMGR Starters
Used On: (2002-01) Chevrolet, Oldsmobile, Pontiac
Unit Nos: Delco 9000874, 9000904, 12563916, 12571039
Lester Nos: 6480
WAI Ref. Nos: 2-2114-DR
Dim:
 Mtg. Ear-1 Hole Size: M12 x 1.75
 Mtg. Ear-1 to Bushing Center: 58mm
 Mtg. Ear-2 Hole Size: 13mm
 Mtg. Ear-2 to Bushing Center: 58mm
 Locating Dia: 82mm
Components:
 8-201 Needle Bearing



51-1142
D.E. Housing
Aluminum

For: Delco PG260L Series PMGR Starters
Used On: (2004-02) Chevrolet, GMC, Isuzu, Oldsmobile
Unit Nos: Delco 9000875, 9000926, 12563863, 12574145; Isuzu 8-10465-582-0,
Lester Nos: 6490
WAI Ref. Nos: 2-2141-DR
Dim:
 Mtg. Ear-1 Hole Size: 11mm
 Mtg. Ear-1 to Bushing Center: 61mm
 Mtg. Ear-2 Hole Size: 11mm
 Mtg. Ear-2 to Bushing Center: 62mm
 Locating Dia: 82mm
Note: Similar to 51-1156 except for location of thru bolt holes.
Components:
 8-201 Needle Bearing



51-1143
D.E. Housing
Aluminum

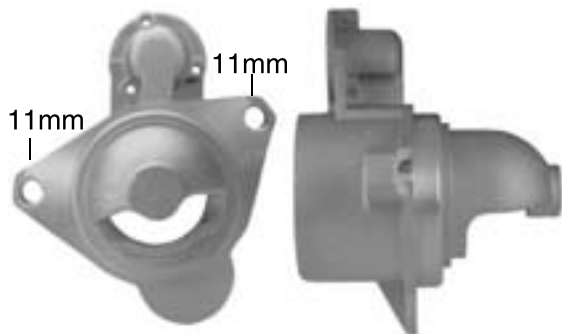
For: Delco PG260L Series PMGR Starters
Used On: (2004-02) Chevrolet, Pontiac
Unit Nos: Delco 9000878, 9000931, 12564109, 12574859
Lester Nos: 6482
WAI Ref. Nos: 2-2142-DR
Dim:
 Mtg. Ear-1 Hole Size: 10mm
 Mtg. Pad to Bushing Center: 50mm
 Mtg. Ear-2 Hole Size: 10mm
Components:
 8-201 Needle Bearing

STARTER - FRAMES (C.E., C.S., D.E.)



51-1144
D.E. Housing
Aluminum

For: Delco PG260L Series PMGR Starters
Used On: Mercury Marine, OMC, Volvo-Penta
Unit Nos: Delco 9000895
Lester Nos: 6788
WAI Ref. Nos: 2-2322-DR
Dim:
 Mtg. Ear-1 Hole Size: 10mm
 Mtg. Pad to Bushing Center: 61mm
 Mtg. Ear-2 Hole Size: 10mm
Components:
 8-201 Needle Bearing



51-1156
D.E. Housing
Aluminum

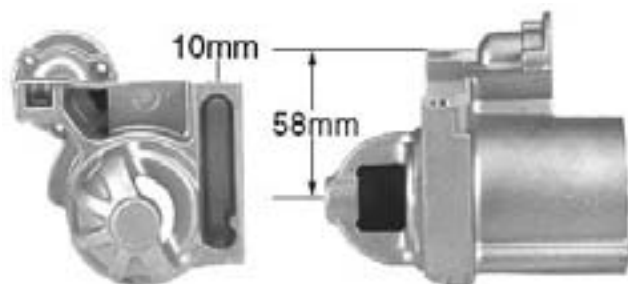
For: Delco PG260L Series PMGR Starters
Used On: (2005-04) Buick, Chevrolet, GMC, Isuzu
Unit Nos: Delco 9000966, 9000979, 12584048, 12588785
Lester Nos: 6490
WAI Ref. Nos: 2-2141-DR
Dim:
 Mtg. Ear-1 Hole Size: 11mm
 Mtg. Ear-1 to Bushing Center: 61mm
 Mtg. Ear-2 Hole Size: 11mm
 Mtg. Ear-2 to Bushing Center: 62mm
 Locating Dia: 82mm
Note: Similar to 51-1142 except for location of thru bolt holes.
Components:
 8-201 Needle Bearing

PG260M Series



51-1107
D.E. Housing
Aluminum

For: Delco PG260M Series PMGR Starters
Used On: (2001-94) Cadillac, Chevrolet, GMC, Isuzu, Oldsmobile; Chevrolet Truck, GMC Truck, Mercury Marine
Unit Nos: Delco 9000786, 9000819, 9000821, 9000851, 9000860, 9000899
Lester Nos: 6449
WAI Ref. Nos: 2-1690-DR, 2-1691-DR, 2-1758-DR
Dim:
 Mtg. Ear-1 Hole Size: 10mm
 Mtg. Pad to Bushing Center: 47mm
 Mtg. Ear-2 Hole Size: 10mm
Components:
 8-201 Needle Bearing



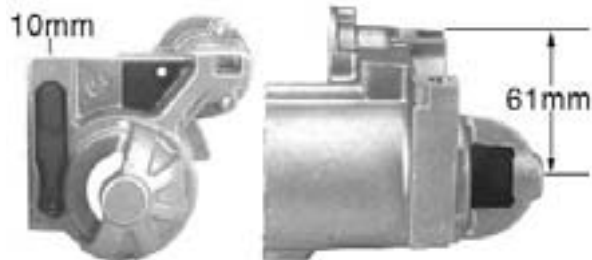
51-1108
D.E. Housing
Aluminum

For: Delco PG260M Series PMGR Starters
Used On: (2001-95) Buick, Chevrolet, Oldsmobile, Pontiac
Unit Nos: Delco 9000806, 9000863
Lester Nos: 6472
WAI Ref. Nos: 2-1688-DR
Dim:
 Mtg. Ear-1 Hole Size: 10mm
 Mtg. Pad to Bushing Center: 58mm
 Mtg. Ear-2 Hole Size: 10mm
Note: Similar to 51-1129 except 51-1129 has larger drive opening and different thru-bolt hole locations
Components:
 8-201 Needle Bearing

STARTER - HOUSINGS, D.E. (51-)

DELCO

PG260M Series (cont'd.)



51-1109
D.E. Housing
Aluminum

For: Delco PG260M Series PMGR Starters
Used On: (1997-95) Buick, Cadillac, Chevrolet, Pontiac
Unit Nos: Delco 9000798, 9000820, 9000822
Lester Nos: 6470
WAI Ref. Nos: 2-1689-DR, 2-1759-DR, 2-1760-DR
Dim:
 Mtg. Ear-1 Hole Size: 10mm
 Mtg. Pad to Bushing Center: 61mm
 Mtg. Ear-2 Hole Size: 10mm
Components:
 8-201 Needle Bearing



51-1110
D.E. Housing
Aluminum

For: Delco PG260M Series PMGR Starters
Used On: (2000-95) Cadillac, Oldsmobile
Unit Nos: Delco 9000805, 9000844, 9000862
Lester Nos: 6471
WAI Ref. Nos: 2-1692-DR
Dim:
 Mtg. Ear-1 Hole Size: 9mm
 Mtg. Ear-1 to Bushing Center: 51mm
 Mtg. Ear-2 Hole Size: 9mm
 Mtg. Ear-2 to Bushing Center: 51mm
 Locating Dia: 82mm
Components:
 8-201 Needle Bearing



51-1122
D.E. Housing
Aluminum

For: Delco PG260M Series PMGR Starters
Used On: (2000-97) Chevrolet, Oldsmobile, Pontiac
Unit Nos: Delco 9000804, 9000861
Lester Nos: 6480
WAI Ref. Nos: 2-1819-DR
Dim:
 Mtg. Ear-1 Hole Size: M12 x 1.75
 Mtg. Ear-1 to Bushing Center: 58mm
 Mtg. Ear-2 Hole Size: 13mm
 Mtg. Ear-2 to Bushing Center: 58mm
 Locating Dia: 82mm
Components:
 8-201 Needle Bearing



51-1123
D.E. Housing
Aluminum

For: Delco PG260M Series PMGR Starters
Used On: (2001-97) Chevrolet, GMC, Pontiac
Unit Nos: Delco 9000834, 9000866
Lester Nos: 6482
WAI Ref. Nos: 2-1811-DR
Dim:
 Mtg. Ear-1 Hole Size: 10mm
 Mtg. Pad to Bushing Center: 50mm
 Mtg. Ear-2 Hole Size: 10mm
Components:
 8-201 Needle Bearing



51-1126
D.E. Housing
Aluminum

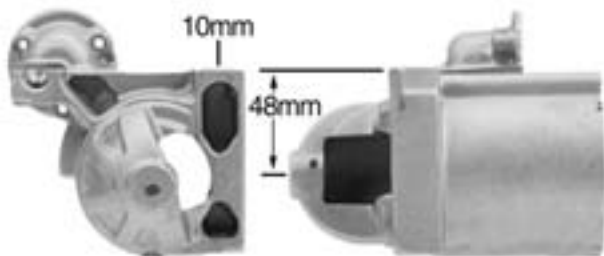
For: Delco PG260M Series PMGR Starters
Used On: Chevrolet Kodiak, GMC Topkick Trucks
Unit Nos: Delco 9000812, 9000864
Lester Nos: 6452
WAI Ref. Nos: 2-1912-DR
Dim:
 Mtg. Ear-1 Hole Size: 10mm
 Mtg. Ear-1 to Bushing Center: 48mm
 Mtg. Ear-2 Hole Size: 10mm
 Mtg. Ear-2 to Bushing Center: 62mm
 Mtg. Ear-3 Hole Size: 10mm
 Mtg. Ear-3 to Bushing Center: 47mm
 Locating Dia: 82mm
Components:
 8-201 Needle Bearing



51-1133
D.E. Housing
Aluminum

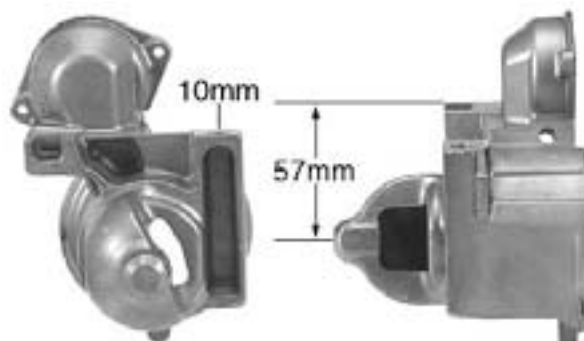
For: Delco PG260M Series PMGR Starters
Used On: (2002-97) Cadillac, Chevrolet, GMC
Replaces: Delco 10484817
Unit Nos: Delco / GM 9000853, 9000867, 12563907
Lester Nos: 6492
WAI Ref. Nos: 2-2095-DR
Dim:
 Mtg. Ear-1 Hole Size: 10mm
 Mtg. Pad to Bushing Center: 51mm
 Mtg. Ear-2 Hole Size: 10mm
Components:
 8-201 Needle Bearing

SD205, SD255 Series



51-1129
D.E. Housing
Aluminum

For: Delco PG260M Series PMGR Starters
Used On: (2001-99) Oldsmobile
Unit Nos: Delco 9000827, 9000865, 9000900
Lester Nos: 6486
WAI Ref. Nos: 2-1965-DR
Dim:
 Mtg. Ear-1 Hole Size: 10mm
 Mtg. Pad to Bushing Center: 48mm
 Mtg. Ear-2 Hole Size: 10mm
Note: Similar to 51-1108 except 51-1108 has a smaller drive opening and different thru-bolt hole locations
Components:
 8-201 Needle Bearing



51-1114
D.E. Housing
'No Shim' Version
Aluminum

For: Delco SD205 Series DD Starters
Used On: (1998-96) Buick, Chevrolet, GMC, Isuzu, Oldsmobile, Pontiac
Replaces: Delco 10487930
Unit Nos: Delco 10455069, 10455081, 24507410
Lester Nos: 6473
Dim:
 Mtg. Ear-1 Hole Size: 10mm
 Mtg. Pad to Bushing Center: 57mm
 Mtg. Ear-2 Hole Size: 10mm
Note: No shim version w/ small drive opening. Similar to 51-188-3 except 51-188-3 is a shim version with a large drive opening.
Components:
 62-1402 Bushing

STARTER - HOUSINGS, D.E. (51-)

DELCO

SD205, SD255 Series (cont'd.)



51-1115
D.E. Housing
Aluminum

For: Delco SD255 Series DD Starters
Used On: (2000-97) Cadillac, Chevrolet, GMC
Unit Nos: Delco 10455065
Lester Nos: 6483
Dim:
 Mtg. Ear-1 Hole Size: 10mm
 Mtg. Pad to Bushing Center: 47mm
 Mtg. Ear-2 Hole Size: 10mm
Components:
 8-118 Needle Bearing

51-1115-2
D.E. Housing
Aluminum

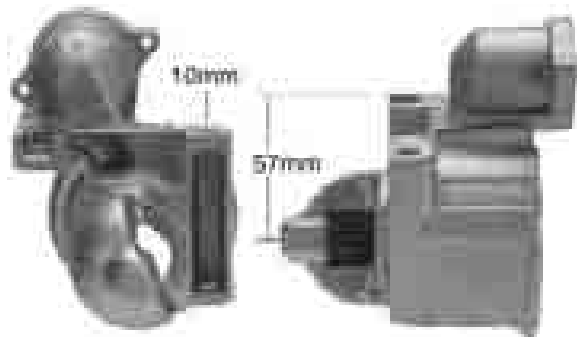
Same as 51-1115 except...
Note: Without 8-118 Needle Bearing



51-1116
D.E. Housing
Aluminum

For: Delco SD255 Series DD Starters
Used On: (1996) Chevrolet
Replaces: Delco 10457266
Unit Nos: Delco 10455064, 10455084
Lester Nos: 6474
Dim:
 Mtg. Ear-1 Hole Size: 10mm
 Mtg. Pad to Bushing Center: 60mm
 Mtg. Ear-2 Hole Size: 10mm
Components:
 8-118 Needle Bearing

SD210, SD260 Series



51-105-3
D.E. Housing
'No Shim' Version
Aluminum

For: Delco SD210 Series DD Starters
Used On: (1996-90) Buick, Chevrolet, GMC, Isuzu, Oldsmobile, Pontiac
Replaces: Delco 10467736*, 10475284, 10475298
Unit Nos: Delco 10455010, 10455025, 10455048, 10455053, 10455060
Lester Nos: 6415
Dim:
 Mtg. Ear-1 Hole Size: 10mm
 Mtg. Pad to Bushing Center: 57mm
 Mtg. Ear-2 Hole Size: 10mm
Note: *51-105-3 can replace shim version w/ 55mm mtg. pad to bushing center
Components:
 62-1402 Bushing

51-105-4
D.E. Housing
'No Shim' Version
Aluminum

Same as 51-105-3 except...
Note: Without bushing

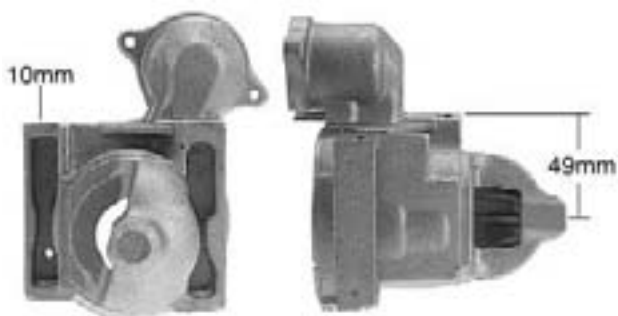


51-110-3
D.E. Housing
'Shim' Version
Aluminum

For: Delco SD260 Series DD Starters
Used On: (1996-90) Chevrolet, GMC, Oldsmobile
Replaces: Delco 10456482
Unit Nos: Delco 10455013, 10455042, 10455050, 10455070, 10455078
Lester Nos: 6416
Dim:
 Mtg. Ear-1 Hole Size: 10mm
 Mtg. Pad to Bushing Center: 47mm
 Mtg. Ear-2 Hole Size: 10mm
Components:
 8-118 Needle Bearing

51-110-4
D.E. Housing
'Shim' Version
Aluminum

Same as 51-110-3 except...
Note: Without 8-118 needle bearing



51-123-3
D.E. Housing
'No Shim' Version
Aluminum

For: Delco SD210 Series DD Starters
Used On: (1995-91) Chevrolet, Pontiac
Replaces: Delco 10467722*, 10475285*, 10475307
Unit Nos: Delco 10455011, 10455054
Lester Nos: 6419
Dim:
 Mtg. Ear-1 Hole Size: 10mm
 Mtg. Pad to Bushing Center: 49mm
 Mtg. Ear-2 Hole Size: 10mm
 (cont'd.)

(cont'd.)
Note: With 12mm ID bushing.
 Similar to 51-110-3 except 51-110-3 w/ 11mm ID needle bearing and is a 'shim' version w/ 47mm mtg. pad to bushing center.
 *51-123-3 can replace shim version w/ 47mm mtg. pad to bushing center.
Components:
 62-1402 Bushing (OE Hsg.)
 62-1404 Bushing (WAI Hsg.)

51-123-4
D.E. Housing
'No Shim' Version
Aluminum

Same as 51-123-3 except...
Note: Without bushing.



51-170-3
D.E. Housing
Aluminum

For: Delco SD260 Series DD Starters
Used On: (1995-91) Buick, Cadillac, Chevrolet, Oldsmobile, Pontiac
Replaces: Delco 10475287
Unit Nos: Delco 10455012, 10455076
Lester Nos: 6418
Dim:
 Mtg. Ear-1 Hole Size: 10mm
 Mtg. Pad to Bushing Center: 60mm
 Mtg. Ear-2 Hole Size: 10mm
Components:
 8-118 Needle Bearing

51-170-4
D.E. Housing
Aluminum

Same as 51-170-3 except...
Note: Without 8-118 needle bearing

STARTER - HOUSINGS, D.E. (51-)

DELCO

SD210, SD260 Series (cont'd.)



51-1105
D.E. Housing
'No Shim' Version
Aluminum

For: Delco SD260 Series DD Starters

Used On: (1995-91) Chevrolet, Oldsmobile, Pontiac

Replaces: Delco 10471930*, 10475286**, 10475289*, 10475290

Unit Nos: Delco 10455026**, 10455047*, 10455051, 10455061

Lester Nos: 6424

Dim:
 Mtg. Ear-1 Hole Size: 10mm
 Mtg. Pad to Bushing Center: 57mm
 Mtg. Ear-2 Hole Size: 10mm

Note: *51-1105 can replace shim version w/ 55mm mtg. pad to bushing center.

**Must remove needle bearing and install 62-1404 bushing from 51-1105 to replace OE bushing version.

Components:
 8-118 Needle Bearing

51-1105-2
D.E. Housing
'No Shim' Version
Aluminum

Same as 51-1105 except...

Note: Without 8-118 needle bearing

FORD

4"



51-204
D.E. Housing
Aluminum

For: Ford 4" Mod II DD Starters

Used On: (1991-84) Ford, Mercury

Replaces: Ford E43Z-11130-A, E8DZ-11130-A, SE-282, SE-306

Unit Nos: Ford E43F-11001-AA, E43Z-11002-A, E69F-11001-AA, E69Z-11002-A, E6DF-11001-BA, E6DZ-11002-B, E8DF-11001-AA, E8DZ-11002-A, SA-743, SA-755, SA-759, SA-767

Lester Nos: 3187, 3189

Dim:
 Mtg. Ear-1 Hole Size: M10 x 1.50
 Mtg. Ear-1 to Bushing Center: 53mm
 Mtg. Ear-2 Hole Size: M10 x 1.50
 Mtg. Ear-2 to Bushing Center: 53mm
 Mtg. Ear-3 Hole Size: M10 x 1.50
 Mtg. Ear-3 to Bushing Center: 53mm
 Locating Dia: 76mm

Note: Similar to 51-230 except 51-230 w/ locating dowel. 51-204 with 76-2818 Conversion Dowel can replace 51-230.

Components:
 62-2402 Bushing



51-205
D.E. Housing
Aluminum

For: Ford 4" Mod II DD Starters

Used On: (1991-83) Ford

Replaces: Ford E4TZ-11130-A, SE-279-A

Unit Nos: Ford E3TF-11001-AA, E3TZ-11002-A, E4TF-11001-AA, E4TZ-11002-A, SA-738, SA-738-A

Lester Nos: 3185

(cont'd.)

(cont'd.)

Dim:

Mtg. Ear-1 Hole Size: 10mm.
 Mtg. Ear-1 to Bushing Center: 69mm
 Mtg. Ear-2 Hole Size: 10mm
 Mtg. Ear-2 to Bushing Center: 69mm
 Locating Dia: 105mm

Components:

62-2403 Bushing



51-207
D.E. Housing
Aluminum

For: Ford 4" Mod II DD Starters
Used On: (1987-83) AMC, Jeep
Replaces: Jeep-Eagle 83500398
Unit Nos: Jeep-Eagle 3242283, 8982775012, JR775012
Lester Nos: 3133

Dim:

Mtg. Ear-1 Hole Size: 3/8"
 Mtg. Pad to Bushing Center: 61mm
 Mtg. Ear-2 Hole Size: 3/8"

Components:

62-2402 Bushing



51-209
D.E. Housing
Aluminum

For: Ford 4" Mod II DD Starters
Used On: (1991-81) Ford, Mercury, Merkur
Replaces: Ford E4DZ-11130-A, SE-275, SE-275-A
Unit Nos: Ford E2BZ-11002-A, E3TZ-11002-D, E4TZ-11002-B, E7ZZ-11002-A
Lester Nos: 3175, 3191

Dim:

Mtg. Ear-1 Hole Size: 11mm
 Mtg. Ear-1 to Bushing Center: 69mm
 Mtg. Ear-2 Hole Size: 11mm
 Mtg. Ear-2 to Bushing Center: 69mm
 Mtg. Ear-3 Hole Size: 11mm
 Mtg. Ear-3 to Bushing Center: 69mm
 Locating Dia: 104mm

Components:

62-2402 Bushing



51-211
D.E. Housing
Aluminum

For: Ford 4" Mod II DD Starters
Used On: (1991-80) Ford, Lincoln, Mercury
Replaces: Ford E4AZ-11130-A, SE-276-A
Unit Nos: Ford E25F-11001-AA, E25Z-11002-A, E3AF-11001-AA, E3AZ-11002-A, E4AF-11001-AA, E4DF-11001-BA, E4DZ-11002-B, SA-734-B
Lester Nos: 3180

Dim:

Mtg. Ear-1 Hole Size: 10mm
 Mtg. Ear-1 to Bushing Center: 69mm
 Mtg. Ear-2 Hole Size: 10mm
 Mtg. Ear-2 to Bushing Center: 69mm
 Locating Dia: 104mm

Components:

62-2402 Bushing



51-229
D.E. Housing
Aluminum

For: Ford 4" Mod II DD Starters
Used On: (1991-83) Ford
Replaces: Ford E3TZ-11130-C, SE-283
Unit Nos: Ford E3TZ-11002-E, E47F-11001-AA, SA-746
Lester Nos: 3188

Dim:

Mtg. Ear-1 Hole Size: 10mm
 Mtg. Ear-1 to Bushing Center: 69mm
 Mtg. Ear-2 Hole Size: 10mm
 Mtg. Ear-2 to Bushing Center: 69mm
 Locating Dia: 104mm

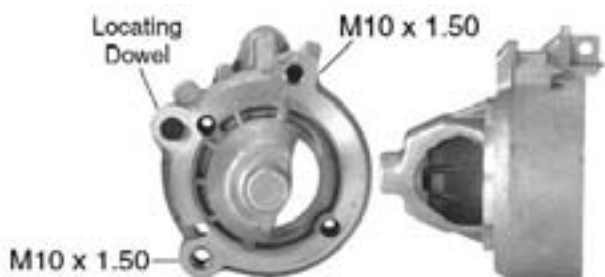
Components:

62-2402 Bushing

STARTER - HOUSINGS, D.E. (51-)

FORD

4" (cont'd.)



51-230
D.E. Housing
Aluminum

For: Ford 4" Mod II DD Starters

Used On: (1991-86) Ford, Lincoln, Mercury

Replaces: Ford E6DZ-11130-B, SE-302

Unit Nos: Ford E6DF-11001-AA, E6DZ-11002-A, E6DZ-11002-C, E7DF-11001-AA, SA-754, SA-760

Lester Nos: 3198

Dim:

Mtg. Ear-1 Hole Size: M10 x 1.50

Mtg. Ear-1 to Bushing Center: 53mm

Mtg. Ear-2 Hole Size: M10 x 1.50

Mtg. Ear-2 to Bushing Center: 53mm

Locating Dia: 76mm

Note: 1-mtg. hole w/ locating dowel.

Similar to 51-204 except 51-204 wo/ locating dowel.

Components:

62-2403 Bushing

4-1/2"



51-215
D.E. Housing
Aluminum

For: Ford 4-1/2", 4-1/2" Mod I DD Starters

Used On: (1981-73) Ford, Lincoln, Mercury

Replaces: Ford D1AZ-11130-A, SE-133

Unit Nos: Ford D1AZ-11002-A, D2AF-11001-AA, D2AF-11001-JA, D5AF-11001-EA, D5AZ-11002-C, D7AZ-11002-A, D8AF-11001-AA, SA-671, SA-701, SA-701-A

Lester Nos: 3149, 3152

Dim:

Mtg. Ear-1 Hole Size: 3/8-16

Mtg. Ear-1 to Bushing Center: 69mm

Mtg. Ear-2 Hole Size: 3/8"

Mtg. Ear-2 to Bushing Center: 69mm

Locating Dia: 104mm

Components:

62-2402 Bushing



51-231
D.E. Housing
Aluminum

For: Ford 4" Mod II DD Starters

Used On: (1990-85) Ford, Mercury

Replaces: Ford E6FZ-11130-A, SE-290

Unit Nos: Ford E6EF-11001-AA, E6FZ-11002-A, SA-752

Lester Nos: 3196

Dim:

Mtg. Ear-1 Hole Size: M10 x 1.50

Mtg. Ear-1 to Bushing Center: 53mm

Mtg. Ear-2 Hole Size: M10 x 1.50

Mtg. Ear-2 to Bushing Center: 53mm

Mtg. Ear-3 Hole Size: M10 x 1.50

Mtg. Ear-3 to Bushing Center: 53mm

Locating Dia: 76mm

Note: E2FZ-11130-A and E6FZ-11130-A (51-231) appear similar but are not interchangeable. E6FZ-11130-A (51-231) has offset mtg. from locating ring center to shaft center.

Components:

62-2402 Bushing



51-216
D.E. Housing
Aluminum

For: Ford 4-1/2", 4-1/2" Mod I DD Starters

Used On: (1977-73) Ford, Mercury

Replaces: Ford C3OZ-11130-E, C6AZ-11130-B,

C6VY-11130-A, D0AZ-11130-A, D0AZ-11130-B, D1AZ-11130-B, D5TZ-11130-A, D6AZ-11130-B, SE-129-A

Unit Nos: Ford C3OZ-11002-C, D2OF-11001-AA, D2OF-11001-BA, D6BF-11001-BA, D6DZ-11002-B, D7DZ-11002-B, D8BF-11001-BA, SA-628, SA-706, SA-706-A

Lester Nos: 3131, 3155

Dim:

Mtg. Ear-1 Hole Size: 3/8"

Mtg. Ear-1 to Bushing Center: 69mm

Mtg. Ear-2 Hole Size: 3/8"

Mtg. Ear-2 to Bushing Center: 69mm

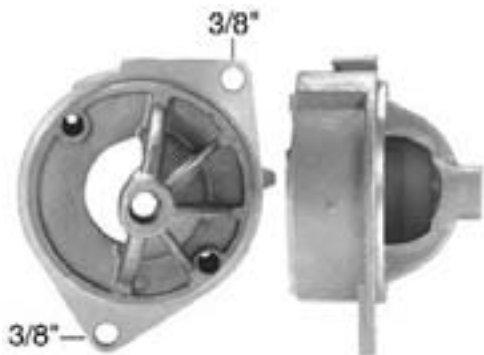
Mtg. Ear-3 Hole Size: 3/8"

Mtg. Ear-3 to Bushing Center: 69mm

Locating Dia: 104mm

Components:

62-2402 Bushing



51-217
D.E. Housing
Aluminum

For: Ford 4-1/2", 4-1/2" Mod I DD Starters
Used On: (1980-73) Ford, Mercury
Replaces: Ford C5TZ-11130-A, D0TZ-11130-A, D1AZ-11130-D, SE-130-A
Unit Nos: Ford C5TZ-11002-D, D2AF-11001-DA, D4TZ-11002-D, D5TF-11001-AA, D5TF-11001-DA, D6TF-11001-DA, D6TZ-11002-D, D7TZ-11002-A, D8TF-11001-AA, SA-661, SA-661-A, SA-712, SA-712-A
Lester Nos: 3132, 3154
Dim:
 Mtg. Ear-1 Hole Size: 3/8"
 Mtg. Ear-1 to Bushing Center: 69mm
 Mtg. Ear-2 Hole Size: 3/8"
 Mtg. Ear-2 to Bushing Center: 69mm
 Locating Dia: 104mm
Components:
 62-2402 Bushing



51-219
D.E. Housing
Aluminum

For: Ford 4-1/2", 4-1/2" Mod I DD Starters
Used On: (1980-73) Ford, Lincoln, Mercury
Replaces: Ford C2OZ-11130-A, D0OZ-11130-A, D1AZ-11130-C, SE-73-B
Unit Nos: Ford C2OZ-11002-B, D4OZ-11002-A, D6OZ-11002-A, D7OZ-11002-A
Lester Nos: 3124, 3153
Dim:
 Mtg. Ear-1 Hole Size: 3/8"
 Mtg. Ear-1 to Bushing Center: 69mm
 Mtg. Ear-2 Hole Size: 3/8"
 Mtg. Ear-2 to Bushing Center: 69mm
 Locating Dia: 104mm
Components:
 62-2402 Bushing



51-223
D.E. Housing
Aluminum

For: Ford 4-1/2" Mod I DD Starters
Used On: (1979-78) Ford, Mercury
Replaces: Ford D8BZ-11130-A, SE-254
Unit Nos: Ford D8BF-11001-CA, D8BZ-11002-A
Lester Nos: 3160
Dim:
 Mtg. Ear-1 Hole Size: 3/8"
 Mtg. Ear-1 to Bushing Center: 69mm
 Mtg. Ear-2 Hole Size: 3/8"
 Mtg. Ear-2 to Bushing Center: 69mm
 Locating Dia: 104mm
Components:
 62-2402 Bushing



51-234
D.E. Housing
Aluminum

For: Ford 4-1/2" Mod II DD Starters
Used On: (1991-81) Ford
Replaces: Ford E1AZ-11130-B, SE-265
Unit Nos: Ford E1AF-11001-BA, E1AZ-11002-B, E2SF-11001-AA, E2SZ-11002-A, SA-733
Lester Nos: 3168
Dim:
 Mtg. Ear-1 Hole Size: 3/8"
 Mtg. Ear-1 to Bushing Center: 69mm
 Mtg. Ear-2 Hole Size: 3/8"
 Mtg. Ear-2 to Bushing Center: 69mm
 Locating Dia: 104mm
Components:
 62-2402 Bushing

STARTER - HOUSINGS, D.E. (51-)

FORD

4-1/2" (cont'd.)



51-236

**D.E. Housing
Aluminum**

For: Ford 4-1/2" Mod II DD Starters

Used On: (1991-81) Ford

Replaces: Ford E1TZ-11130-C, SE-268

Unit Nos: Ford E1TF-11001-CA, E1TZ-11002-C, SA-717-A

Lester Nos: 3174

Dim:

Mtg. Ear-1 Hole Size: 3/8-16

Mtg. Ear-1 to Bushing Center: 69mm

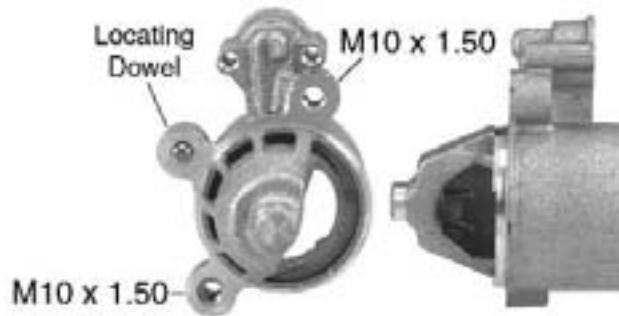
Mtg. Ear-2 Hole Size: 3/8"

Mtg. Ear-2 to Bushing Center: 69mm

Locating Dia: 104mm

Components:

8-201 Needle Bearing



51-238

**D.E. Housing
Aluminum**

For: Ford PMGR Starters

Used On: (2002-89) Ford, Lincoln, Mercury

Replaces: Ford F2OY-11130-A, SE-331

Unit Nos: Ford E9OF-11000-AA, E9OF-11000-BA, E9OY-11002-A, E9OY-11002-B, F0OU-11000-AA, F0OY-11002-A, F23U-11000-AA, F23Z-11002-A, F2DU-11000-AA, F2DU-11000-BA, F2DZ-11002-A, F68U-11000-AA, F68U-11000-BA, F68Z-11002-AA, F68Z-11002-BA, F7PU-11000-CA, F7PZ-11002-CA, F8DU-11000-AA, F8DZ-11002-AA; SA-771, SA-771-A, SA-787, SA-790, SA-799, SA-832, SA-833, SA-862, SA-871

Lester Nos: 3204, 3270

Dim:

Mtg. Ear-1 Hole Size: M10 x 1.50

Mtg. Ear-1 to Bushing Center: 52mm

Mtg. Ear-2 Hole Size: M10 x 1.50

Mtg. Ear-2 to Bushing Center: 52mm

Locating Dia: 76mm

Note: 1-mtg. hole w/ locating dowel.

Similar to 51-239 except 51-239 wo/ locating dowel.

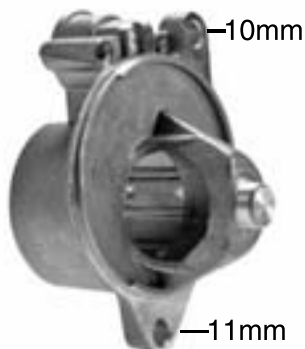
51-238 and 51-252 appear similar but are not interchangeable.

The offset from locating ring center to shaft center is different.

Components:

62-2403 Bushing

PMGR Starters



51-237

**D.E. Housing
Aluminum**

For: Ford PMGR Starters

Used On: (2002-89) Ford, Lincoln, Mercury

Replaces: Ford F2SZ-11130-A, SE-332

Unit Nos: Ford E9SF-11000-AA, E9SF-11000-BA, E9SZ-11002-A, E9SZ-11002-B, F7SZ-11002-AA; SA-769, SA-769-A

Lester Nos: 3205, 3268

Dim:

Mtg. Ear-1 Hole Size: 10mm

Mtg. Ear-1 to Bushing Center: 80mm

Mtg. Ear-2 Hole Size: 11mm

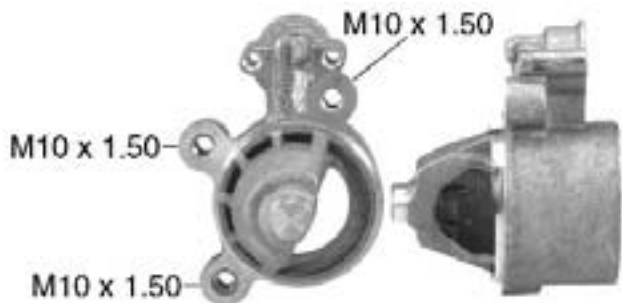
Mtg. Ear-2 to Bushing Center: 56mm

Locating Dia: 104mm

Skirt Length: 54mm

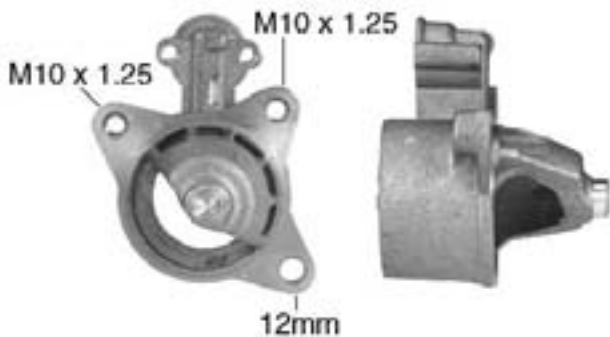
Components:

62-2403 Bushing



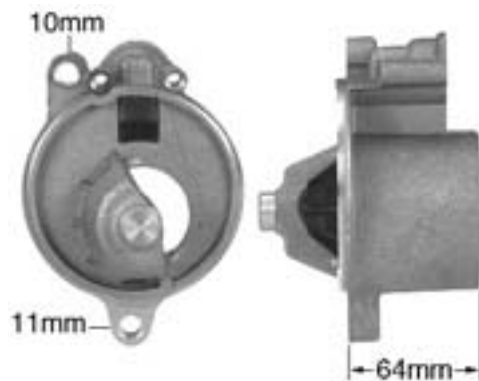
51-239
D.E. Housing
Aluminum

For: Ford PMGR Starters
Used On: (2002-90) Ford, Mazda, Mercury
Replaces: Ford F02Z-11130-A, F22Z-11130-A, SE-317, SE-333
Unit Nos: Ford F02F-11000-AA, F02U-11000-AA, F02Z-11002-A, F13U-11000-AA, F13Z-11002-A, F4FU-11000-AA, F89U-11000-AA, F89Z-11002-AA; SA-784, SA-859, SAE-777
Lester Nos: 3213, 3272
Dim:
 Mtg. Ear-1 Hole Size: M10 x 1.50
 Mtg. Ear-1 to Bushing Center: 52mm
 Mtg. Ear-2 Hole Size: M10 x 1.50
 Mtg. Ear-2 to Bushing Center: 52mm
 Mtg. Ear-3 Hole Size: M10 x 1.50
 Mtg. Ear-3 to Bushing Center: 52mm
 Locating Dia: 76mm
Note: Similar to 51-238 except 51-238 w/ locating dowel.
Components:
 62-2403 Bushing



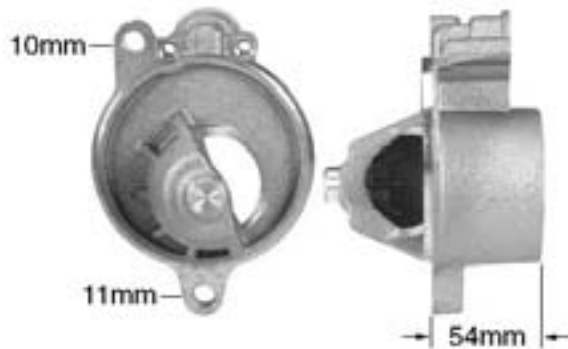
51-240
D.E. Housing
Aluminum

For: Ford PMGR Starters
Used On: (1996-91) Ford, Mercury
Replaces: Ford F0FZ-11130-A, F2CZ-11130-A, SE-318, SE-328
Unit Nos: Ford F0CF-11000-AA, F0CU-11000-AA, F0CU-11000-AB, F0CU-11001-AA, F0CU-11001-AB, F0FZ-11002-B, F4CU-11000-AA, F7PU-11000-AA, F7PZ-11002-AA; SA-779, SA-864
Lester Nos: 3214
Dim:
 Mtg. Ear-1 Hole Size: M10 x 1.25
 Mtg. Ear-1 to Bushing Center: 55mm
 Mtg. Ear-2 Hole Size: 12mm
 Mtg. Ear-2 to Bushing Center: 55mm
 Mtg. Ear-3 Hole Size: M10 x 1.25
 Mtg. Ear-3 to Bushing Center: 55mm
 Locating Dia: 74mm
Components:
 62-2403 Bushing



51-241
D.E. Housing
Aluminum

For: Ford PMGR Starters
Used On: (2005-90) Ford, Mazda
Replaces: Ford F0TZ-11130-A, SE-314
Unit Nos: Ford F07U-11000-AA, F0TZ-11002-A, F87U-11000-BA, F87Z-11002-BA, SA-775, SA-858
Lester Nos: 3232, 3240
Dim:
 Mtg. Ear-1 Hole Size: 10mm
 Mtg. Ear-1 to Bushing Center: 56mm
 Mtg. Ear-2 Hole Size: 11mm
 Mtg. Ear-2 to Bushing Center: 81mm
 Locating Dia: 104mm
 Skirt Length: 64mm
Components:
 62-2403 Bushing



51-242
D.E. Housing
Aluminum

For: Ford PMGR Starters
Used On: (1997-90) Ford, Mazda
Replaces: Ford F0TZ-11130-B, SE-315
Unit Nos: Ford F07U-11000-BA, F0TZ-11002-B, F7PU-11000-KA, F7PZ-11002-KA, SA-776, SA-853
Lester Nos: 3224, 3239
Dim:
 Mtg. Ear-1 Hole Size: 11mm
 Mtg. Ear-1 to Bushing Center: 56mm
 Mtg. Ear-2 Hole Size: 10mm
 Mtg. Ear-2 to Bushing Center: 81mm
 Locating Dia: 104mm
 Skirt Length: 54mm
Components:
 62-2403 Bushing

STARTER - HOUSINGS, D.E. (51-)

FORD

PMGR Starters (cont'd.)



51-243
D.E. Housing
Aluminum

For: Ford PMGR Starters

Used On: (2002-91) Ford, Mazda

Replaces: Ford F1TZ-11130-A, SE-323

Unit Nos: Ford F17U-11000-AB, F1TZ-11002-A, F87U-11000-AA, F87Z-11002-AA, SA-785, SA-857

Lester Nos: 3231, 3238

Dim:

Mtg. Ear-1 Hole Size: 10mm
Mtg. Ear-1 to Bushing Center: 80mm
Mtg. Ear-2 Hole Size: 11mm
Mtg. Ear-2 to Bushing Center: 64mm
Mtg. Ear-3 Hole Size: 11mm
Mtg. Ear-3 to Bushing Center: 56mm
Locating Dia: 104mm

Components:

62-2403 Bushing



51-244
D.E. Housing
Aluminum

For: Ford PMGR Starters

Used On: (1992-91) Ford, Lincoln, Mercury

Replaces: Ford F2VY-11130-B, SE-330

Unit Nos: Ford F1VU-11000-AA, F1VY-11002-A, F7PU-11000-BA, F7PZ-11002-BA, SA-786, SA-861

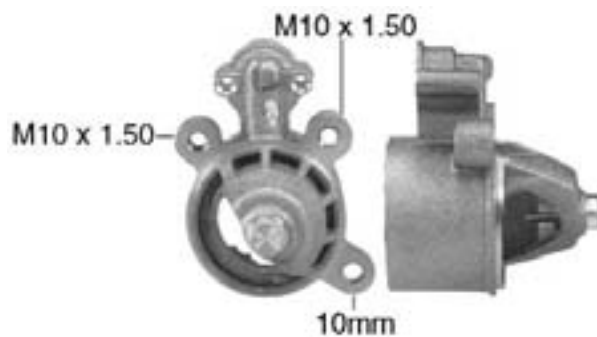
Lester Nos: 3242

Dim:

Mtg. Ear-1 Hole Size: 10mm
Mtg. Ear-1 to Bushing Center: 80mm
Mtg. Ear-2 Hole Size: 11mm
Mtg. Ear-2 to Bushing Center: 56mm
Locating Dia: 76mm

Components:

62-2403 Bushing



51-245
D.E. Housing
Aluminum

For: Ford PMGR Starters

Used On: (2001-91) Ford, Mercury

Replaces: Ford F0FZ-11130-B, F2CZ-11130-B, SE-319, SE-329

Unit Nos: Ford F0CF-11000-BA, F0CU-11000-BA, F0CU-11001-BA, F0FZ-11002-A, F4CU-11000-BA, F7PU-11000-LA, F7PZ-11002-LA, SA-774, SA-863

Lester Nos: 3217, 6645

Dim:

Mtg. Ear-1 Hole Size: M10 x 1.50
Mtg. Ear-1 to Bushing Center: 52mm
Mtg. Ear-2 Hole Size: 10mm
Mtg. Ear-2 to Bushing Center: 52mm
Mtg. Ear-3 Hole Size: M10 x 1.50
Mtg. Ear-3 to Bushing Center: 52mm
Locating Dia: 76mm

Components:

62-2403 Bushing



51-246
D.E. Housing
Aluminum

For: Ford PMGR Starters

Used On: (1997-92) Ford

Replaces: Ford F2TZ-11130-C, SE-327

Unit Nos: Ford F2TU-11000-CA, F2TZ-11002-C, F7PU-11000-HA, F7PZ-11002-HA, SA-795, SA-856

Lester Nos: 3225, 3246

Dim:

Mtg. Ear-1 Hole Size: 3/8-16
Mtg. Ear-1 to Bushing Center: 81mm
Mtg. Ear-2 Hole Size: 3/8"
Mtg. Ear-2 to Bushing Center: 56mm
Locating Dia: 104mm, Skirt Length: 56mm

Note: 51-246 replaces Ford D.E. housing w/ casting# F2TU-11131-CA.

51-246 and 51-251 appear similar but are not interchangeable, the offset from locating ring center to shaft center is different.

Components:

8-201 Needle Bearing

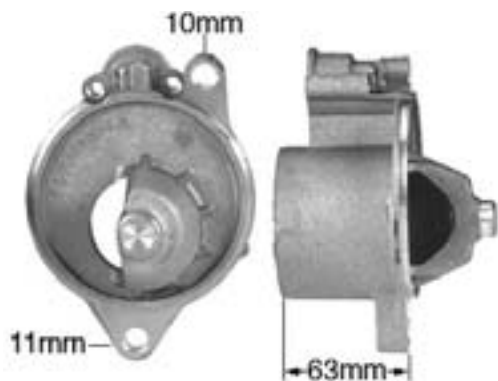


51-247
D.E. Housing
Aluminum

For: Ford PMGR Starters
Used On: (1996-93) Ford Truck
Replaces: Ford F2HZ-11130-B, SE-335
Unit Nos: Ford F2HT-11000-BA, F2HZ-11002-B, F7PZ-11002-EA, SA-798, SA-855
Lester Nos: 3234

Dim:
 Mtg. Ear-1 Hole Size: 11mm
 Mtg. Ear-1 to Bushing Center: 81mm
 Mtg. Ear-2 Hole Size: 10mm
 Mtg. Ear-2 to Bushing Center: 56mm
 Locating Dia: 104mm, Skirt Length: 56mm
Note: 51-247 replaces Ford D.E. housing w/ casting# F2HU-11131-BA.
 51-247 and 51-250 appear similar but are not interchangeable, the offset from locating ring center to shaft center is different.

Components:
 8-201 Needle Bearing

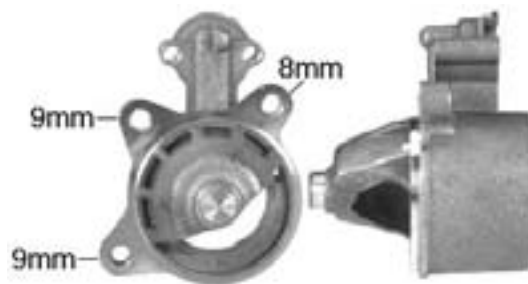


51-248
D.E. Housing
Aluminum

For: Ford PMGR Starters
Used On: (1997-92) Ford
Replaces: Ford F2TZ-11130-A, SE-325
Unit Nos: Ford F2TU-11000-AA, F2TZ-11002-A, F7PU-11000-FA, F7PZ-11002-FA, SA-793, SA-850
Lester Nos: 3223, 3241

Dim:
 Mtg. Ear-1 Hole Size: 10mm
 Mtg. Ear-1 to Bushing Center: 80mm
 Mtg. Ear-2 Hole Size: 11mm
 Mtg. Ear-2 to Bushing Center: 56mm
 Locating Dia: 104mm
 Skirt Length: 63mm

Components:
 62-2403 Bushing



51-249
D.E. Housing
Aluminum

For: Ford PMGR Starters
Used On: (1999-92) Ford, Lincoln, Mercury
Replaces: Ford F2TZ-11130-A, F3LY-11130-A*, SE-325, SE-342*

Unit Nos: Ford F2VU-11000-AC, F2VU-11000-AD, F2VY-11002-A, F3LU-11000-AA, F3LY-11002-A, F4LU-11000-AA, F6VU-11000-AA, F6VZ-11002-AA, F75U-11000-AA, F75Z-11002-AA, F7LU-11000-BA, F7LZ-11002-BA, SA-789, SA-808, SA-822, SA-838, SA-842
Lester Nos: 3221, 3267

Dim:
 Mtg. Ear-1 Hole Size: 8mm
 Mtg. Ear-1 to Bushing Center: 52mm
 Mtg. Ear-2 Hole Size: 9mm
 Mtg. Ear-2 to Bushing Center: 52mm
 Mtg. Ear-3 Hole Size: 9mm
 Mtg. Ear-3 to Bushing Center: 51mm
 Locating Dia: 76mm

Note: Inside of solenoid tower is NOT machined to accommodate solenoid plunger boot. Similar to 51-259 except 51-259 is machined to accommodate solenoid plunger boot.
 *OE housing w/ needle bearing, 51-249 w/ bushing.

Components:
 62-2403 Bushing

STARTER - HOUSINGS, D.E. (51-)

FORD

PMGR Starters (cont'd.)



51-250
D.E. Housing
Aluminum

For: Ford PMGR Starters

Used On: (1996-93) Ford Truck

Replaces: Ford F2HZ-11130-A, SE-334

Unit Nos: Ford F2HT-11000-AA, F2HZ-11002-A, F7PZ-11002-DA, SA-797, SA-854

Lester Nos: 3235, 6640

Dim:

Mtg. Ear-1 Hole Size: 11mm

Mtg. Ear-1 to Bushing Center: 81mm

Mtg. Ear-2 Hole Size: 10mm

Mtg. Ear-2 to Bushing Center: 56mm

Locating Dia: 104mm

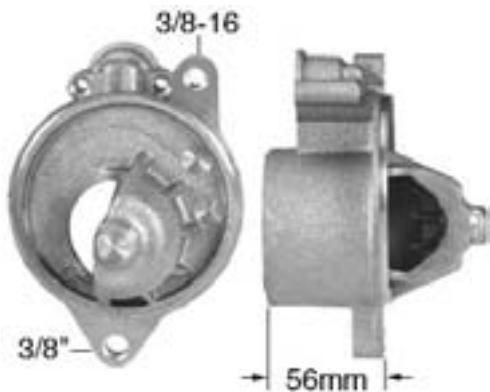
Skirt Length: 56mm

Note: 51-250 replaces Ford D.E. housing w/ casting# F2HU-11131-AA.

51-250 and 51-247 appear similar but are not interchangeable, the offset from locating ring center to shaft center is different.

Components:

8-201 Needle Bearing



51-251
D.E. Housing
Aluminum

For: Ford PMGR Starters

Used On: (1997-92) Ford

Replaces: Ford F2TZ-11130-B, SE-326

Unit Nos: Ford F2TU-11000-BA, F2TZ-11002-B, F7PU-11000-GA, F7PZ-11002-GA, SA-794, SA-852

Lester Nos: 3226, 3247

(cont'd.)

(cont'd.)

Dim:

Mtg. Ear-1 Hole Size: 3/8-16

Mtg. Ear-1 to Bushing Center: 81mm

Mtg. Ear-2 Hole Size: 3/8"

Mtg. Ear-2 to Bushing Center: 56mm

Locating Dia: 104mm

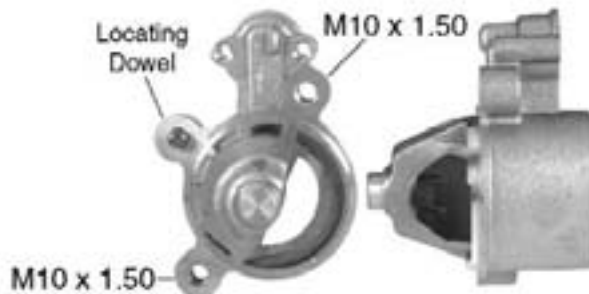
Skirt Length: 56mm

Note: 51-251 replaces Ford D.E. housing w/ casting# F2TU-11131-BA.

51-251 and 51-246 appear similar but are not interchangeable, the offset from locating ring center to shaft center is different.

Components:

8-201 Needle Bearing



51-252
D.E. Housing
Aluminum

For: Ford PMGR Starters

Used On: (2005-93) Ford

Replaces: Ford F3DZ-11130-B, SE-347

Unit Nos: Ford F3DU-11000-BA, F3DZ-11002-B, F7PU-11000-JA, F7PZ-11002-JA, SA-810, SA-865

Lester Nos: 3230

Dim:

Mtg. Ear-1 Hole Size: M10 x 1.50

Mtg. Ear-1 to Bushing Center: 52mm

Mtg. Ear-2 Hole Size: M10 x 1.50

Mtg. Ear-2 to Bushing Center: 52mm

Locating Dia: 76mm

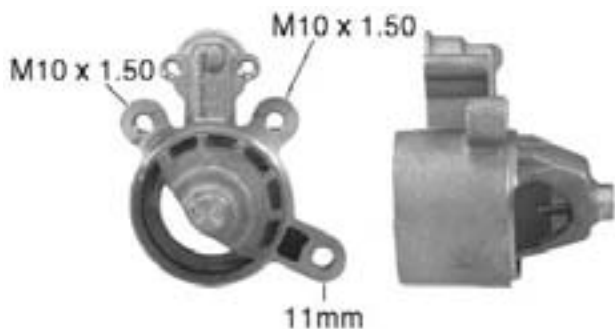
Note: 1-mtg. hole w/ locating dowel

51-252 replaces Ford D.E. housing w/ casting# F3DU-11131-AA.

51-252 and 51-238 appear similar but are not interchangeable, the offset from locating ring center to shaft center is different.

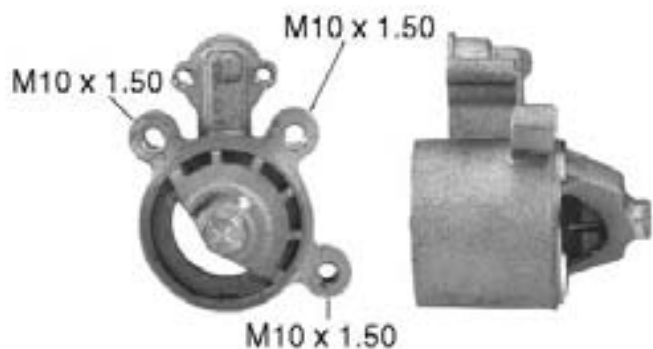
Components:

62-2403 Bushing



51-253
D.E. Housing
Aluminum

For: Ford PMGR Starters
Used On: (2005-95) Ford, Mercury
Replaces: Ford F3RZ-11130-A, SE-350
Unit Nos: Ford 93BB-11000-HB, F3RZ-11002-A, SA-813
Lester Nos: 3261
Dim:
 Mtg. Ear-1 Hole Size: M10 x 1.50
 Mtg. Ear-1 to Bushing Center: 52mm
 Mtg. Ear-2 Hole Size: 11mm
 Mtg. Ear-2 to Bushing Center: 62mm
 Mtg. Ear-3 Hole Size: M10 x 1.50
 Mtg. Ear-3 to Bushing Center: 52mm
 Locating Dia: 76mm
Components:
 8-201 Needle Bearing



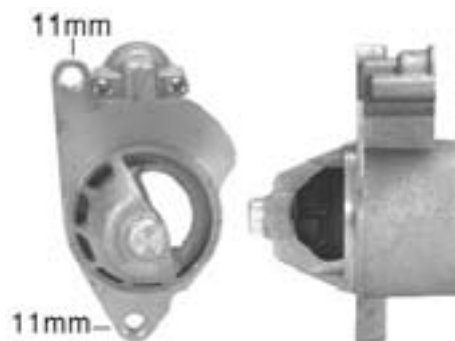
51-254
D.E. Housing
Aluminum

For: Ford PMGR Starters
Used On: (2002-95) Ford, Mercury
Replaces: Ford F3RZ-11130-B, SE-351
Unit Nos: Ford 93BB-11000-JB, F3RZ-11002-B, SA-814
Lester Nos: 3262
Dim:
 Mtg. Ear-1 Hole Size: M10 x 1.50
 Mtg. Ear-1 to Bushing Center: 52mm
 Mtg. Ear-2 Hole Size: M10 x 1.50
 Mtg. Ear-2 to Bushing Center: 52mm
 Mtg. Ear-3 Hole Size: M10 x 1.50
 Mtg. Ear-3 to Bushing Center: 52mm
 Locating Dia: 76mm
Components:
 8-201 Needle Bearing



51-257
D.E. Housing
Aluminum

For: Ford PMGR Starters
Used On: (2001-96) Ford, Mercury
Replaces: Ford F67Z-11130-AA, SE-359
Unit Nos: Ford F67U-11000-AA, F67Z-11002-AA, F87U-11000-CA, F87Z-11002-CA, SA-831, SA851
Lester Nos: 3269, 3274
Dim:
 Mtg. Ear-1 Hole Size: 10mm
 Mtg. Ear-1 to Bushing Center: 80mm
 Mtg. Ear-2 Hole Size: 11mm
 Mtg. Ear-2 to Bushing Center: 56mm
Components:
 62-2403 Bushing



51-258
D.E. Housing
Aluminum

For: Ford PMGR Starters
Used On: (2006-97) Ford, Mazda, Mercury
Unit Nos: Ford 4R3T-11000-AA, 4R3Z-11002-AA, F77U-11000-AA, F77Z-11002-AA, F89U-11000-BA, F89Z-11002-BA, SA-836, SA-860, SA-930
Lester Nos: 3271, 3273
Dim:
 Mtg. Ear-1 Hole Size: 11mm
 Mtg. Ear-1 to Bushing Center: 57mm
 Mtg. Ear-2 Hole Size: 11mm
 Mtg. Ear-2 to Bushing Center: 80mm
Components:
 62-2403 Bushing

51-258-1
D.E. Housing
Aluminum

Same as 51-258 except...
Components:
 8-201 Needle Bearing

STARTER - HOUSINGS, D.E. (51-)

FORD

PMGR Starters (cont'd.)



51-259
D.E. Housing
Aluminum

For: Ford PMGR Starters

Used On: (2005-97) Ford, Lincoln, Mercury

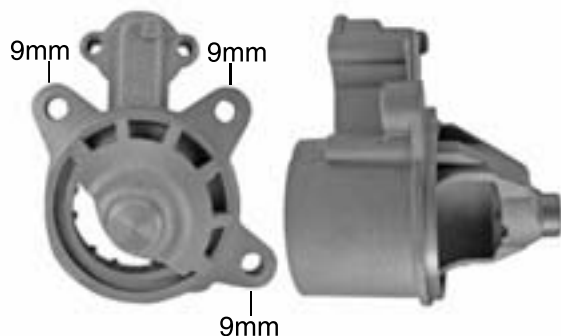
Unit Nos: Ford F75U-11000-AB, F75U-11000-AC, F75Z-11002-AA, F7UU-11000-AA, F7UZ-11002-AA, SA-842, SA-848

Lester Nos: 3267

Dim:

Mtg. Ear-1 Hole Size: 8mm
Mtg. Ear-1 to Bushing Center: 52mm
Mtg. Ear-2 Hole Size: 9mm
Mtg. Ear-2 to Bushing Center: 52mm
Mtg. Ear-3 Hole Size: 9mm
Mtg. Ear-3 to Bushing Center: 51mm

Note: Inside of solenoid tower is machined to accommodate solenoid plunger boot. Similar to 51-249 except 51-249 is NOT machined to accommodate solenoid plunger boot.



51-268
D.E. Housing
Aluminum

For: Ford PMGR External Thru Bolt Starters

Used On: (2004-00) Jaguar, Lincoln

Unit Nos: Ford XW4U-11000-AC, XW4Z-11002-AC; Jaguar C2C-1127

Lester Nos: 6651

WAI Ref. Nos: 2-2020-FD

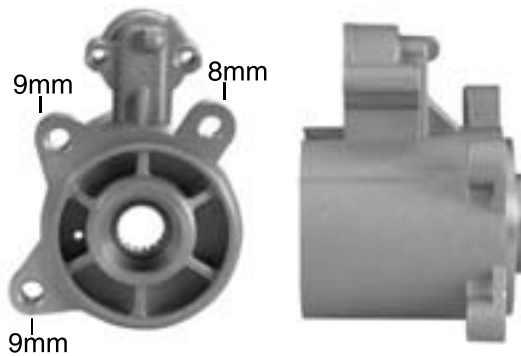
Dim:

Mtg. Ear-1 Hole Size: 9mm
Mtg. Ear-1 to Bushing Center: 54mm
Mtg. Ear-2 Hole Size: 9mm
Mtg. Ear-2 to Bushing Center: 54mm
Mtg. Ear-3 Hole Size: 9mm
Mtg. Ear-3 to Bushing Center: 54mm
Locating Dia: 76mm

Components:

62-2403 Bushing

PMGR Starters, Noseless



51-260
D.E. Housing
Aluminum

For: Ford PMGR Noseless Starters

Used On: (2005-99) Ford, Lincoln

Unit Nos: Ford F81U-11000-AA, -AC, -AD; F81Z-11002-AA

Lester Nos: 6646

WAI Ref. Nos: 2-1910-FD

Dim:

Mtg. Ear-1 Hole Size: 8mm
Mtg. Ear-1 to Bushing Center: 51mm
Mtg. Ear-2 Hole Size: 9mm
Mtg. Ear-2 to Bushing Center: 51mm
Mtg. Ear-3 Hole Size: 9mm
Mtg. Ear-3 to Bushing Center: 51mm
Locating Dia: 76mm

Components:

8-204 Needle Bearing



51-263
D.E. Housing
Aluminum

For: Ford PMGR Noseless Starters

Used On: (2003-00) Ford, Lincoln

Unit Nos: Ford XW4U-11000-CG, XW4Z-11002-CG

Lester Nos: 6652

WAI Ref. Nos: 2-2019-FD

Dim:

Mtg. Ear-1 Hole Size: 11mm
Mtg. Ear-1 to Bushing Center: 56mm
Mtg. Ear-2 Hole Size: 11mm
Mtg. Ear-2 to Bushing Center: 53mm

PMGR Starters, Offset



51-255
D.E. Housing
Aluminum

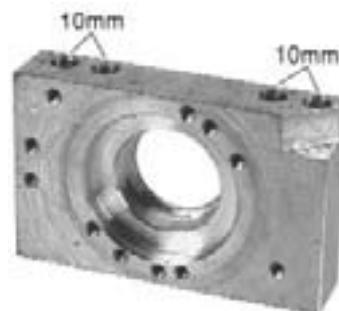
For: Ford PMOSGR Starters
Used On: (2001-95) Ford, Mercury
Replaces: Ford F3RZ-11130-C, SE-352
Unit Nos: Ford 93BB-11000-KA, 93BB-11000-KB, F3RZ-11002-C, SA-815
Lester Nos: 3263
Dim:
 Mtg. Ear-1 Hole Size: 11mm
 Mtg. Ear-1 to Bushing Center: 52mm
 Mtg. Ear-2 Hole Size: 11mm
 Mtg. Ear-2 to Bushing Center: 52mm
Components:
 8-201 Needle Bearing



51-256
D.E. Housing
Aluminum

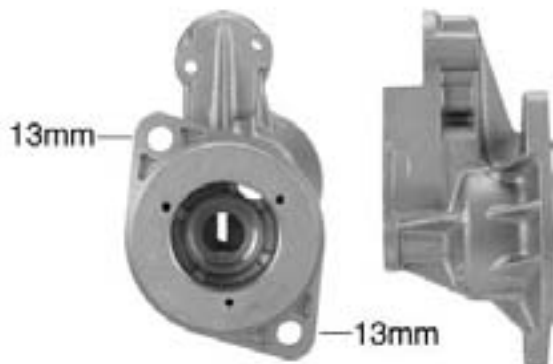
For: Ford PMOSGR Starters
Used On: (2001-95) Ford, Lincoln, Mercury
Replaces: Ford F5OY-11130-A, SE-355
Unit Nos: Ford F5OU-11000-AA, F5OY-11002-A, F6DU-11000-AA, F6DZ-11002-A, YF1U-11000-BA, SA-818, SA-821-A
Lester Nos: 3264, 3266
Dim:
 Mtg. Ear-1 Hole Size: 11mm
 Mtg. Ear-1 to Bushing Center: 52mm
 Mtg. Ear-2 Hole Size: 11mm
 Mtg. Ear-2 to Bushing Center: 52mm
Components:
 8-201 Needle Bearing

HITACHI



51-8105
Conversion D.E. Housing
Aluminum

For: Hitachi OSGR Starters
Used On: High Performance & Race Car Applications w/ GM V6, V8 Engines
Unit Nos: Hitachi S114-254B*
Lester Nos: 16584
Dim:
 Mtg. Ear-1 Hole Size: 10mm
 Mtg. Ear-2 Hole Size: 10mm
Note: *Converts Hitachi OSGR starters w/ 2-piece D.E. housing to fit on hi-performance car applications. Requires 54-8141 drive or 54-81201 pinion.



51-8108
D.E. Housing
Aluminum

For: Hitachi OSGR Starters
Used On: Thermo King
Unit Nos: Hitachi S13-89C
Lester Nos: 18067
WAI Ref. Nos: 2-1776-HI
Dim:
 Mtg. Ear-1 Hole Size: 13mm
 Mtg. Ear-1 to Bushing Center: 59mm
 Mtg. Ear-2 Hole Size: 13
 Mtg. Ear-2 to Bushing Center: 59mm
 Locating Dia: 95mm
Note: 58mm clutch cover bore, 12mm thick mtg. ears.
Features:
 • Made in Japan to OE specifications

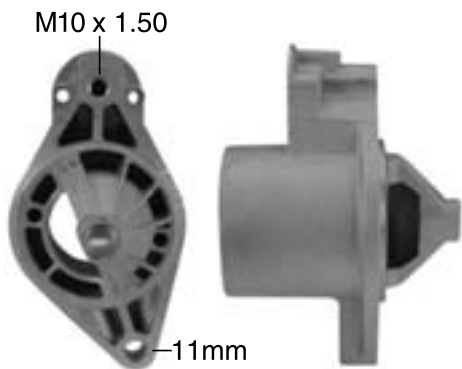
STARTER - HOUSINGS, D.E. (51-)

MITSUBISHI



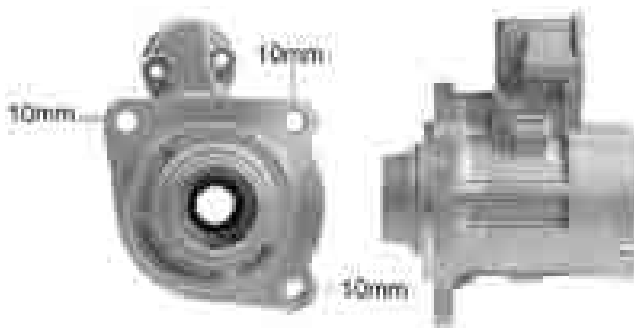
51-8302
D.E. Housing
Aluminum

For: Mitsubishi OSGR Starters
Used On: (1994-85) Ford 6.9L, 7.3L (Diesel)
Replaces: Ford E5PZ-11130-A, SEE-296
Unit Nos: Mitsubishi M3T90071, M3T90072
Lester Nos: 17037
WAI Ref. Nos: 2-1254-MI
Dim:
 Mtg. Ear-1 Hole Size: 10mm
 Mtg. Ear-1 to Bushing Center: 59mm
 Mtg. Ear-2 Hole Size: 10mm
 Mtg. Ear-2 to Bushing Center: 63mm
 Mtg. Ear-3 Hole Size: 10mm
 Mtg. Ear-3 to Bushing Center: 63mm
Components:
 62-83600 Bushing
 76-83816 Cover



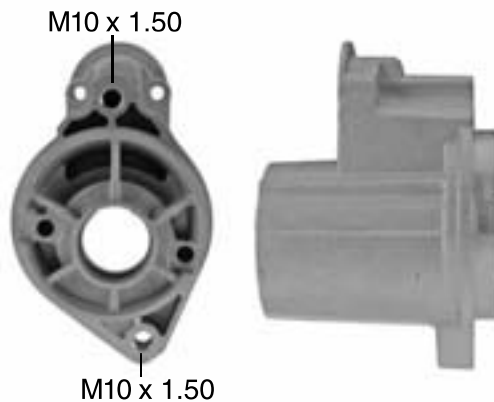
51-8303
D.E. Housing
Aluminum

For: Mitsubishi PMGR Starters
Used On: (2003-87) AMC, Jeep
Unit Nos: Mitsubishi M1T74281, M1T74283, M1T74287, M1T84381, M1T84381
Lester Nos: 17006, 17749
WAI Ref. Nos: 2-1232-MI, 2-1966-MI
Dim:
 Mtg. Ear-1 Hole Size: M10 x 1.50
 Mtg. Ear-1 to Bushing Center: 69mm
 Mtg. Ear-2 Hole Size: 11mm
 Mtg. Ear-2 to Bushing Center: 69mm
 Locating Dia: 82mm
Components:
 62-83300 Bushing



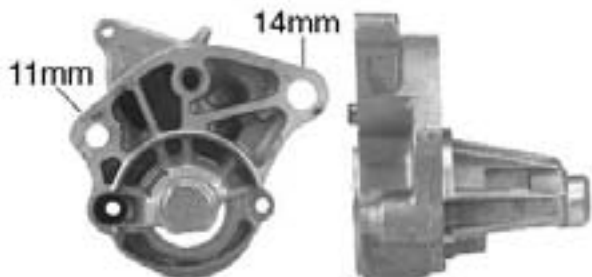
51-8305
D.E. Housing
Aluminum

For: Mitsubishi PLGR Starters
Used On: (2000-94) Ford 7.3L (Diesel)
Replaces: Ford F5TZ-11130-A, SEE-357
Unit Nos: Mitsubishi M8T50071
Lester Nos: 17578
WAI Ref. Nos: 2-1748-MI
Dim:
 Mtg. Ear-1 Hole Size: 10mm
 Mtg. Ear-1 to Bushing Center: 60mm
 Mtg. Ear-2 Hole Size: 10mm
 Mtg. Ear-2 to Bushing Center: 63mm
 Mtg. Ear-3 Hole Size: 10mm
 Mtg. Ear-3 to Bushing Center: 63mm
 Locating Dia: 89mm
Components:
 10-1041-4 Bearing
 71-83102 Seal
Features:
 • Mfd. by OE Supplier



51-8307
D.E. Housing
Aluminum

For: Mitsubishi PMGR Starters
Used On: (2001-96) Infiniti, Nissan
Unit Nos: Mitsubishi M0T60181, M0T60186, M0T60187
Lester Nos: 17683, 17738
WAI Ref. Nos: 2-1848-MI, 2-1978-MI
Dim:
 Mtg. Ear-1 Hole Size: M10 x 1.50
 Mtg. Ear-1 to Bushing Center: 63mm
 Mtg. Ear-2 Hole Size: M10 x 1.50
 Mtg. Ear-2 to Bushing Center: 47mm
 Locating Dia: 87mm
Note: Includes 10-9061-4 bearing

NIPPONDENSO

51-8205
D.E. Housing
Aluminum

For: Nippondenso 1.4kW OSGR Starters

Used On: (1990-88) Chrysler, Dodge, Plymouth

Unit Nos: Nippondenso 128000-496, 128000-527, 128000-528, 128000-567, 128000-632

Lester Nos: 17084

WAI Ref. Nos: 2-1383-ND

Dim:

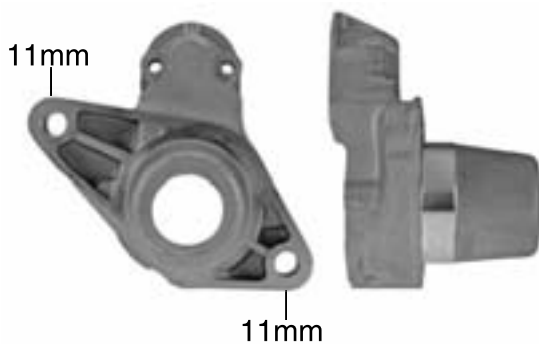
Mtg. Ear-1 Hole Size: 14mm

Mtg. Ear-1 to Bushing Center: 76mm

Mtg. Ear-2 Hole Size: 11mm

Mtg. Ear-2 to Bushing Center: 54mm

Locating Dia: 71mm



51-8207
D.E. Housing
Aluminum

For: Nippondenso 1.6kW PMGR Starters

Used On: (2006-02) Lexus, Scion, Toyota

Unit Nos: Nippondenso 228000-990, Toyota, 28100-28041

Lester Nos: 17825

WAI Ref. Nos: 2-2212-ND

Dim:

Mtg. Ear-1 Hole Size: 11mm

Mtg. Ear-1 to Bushing Center: 52mm

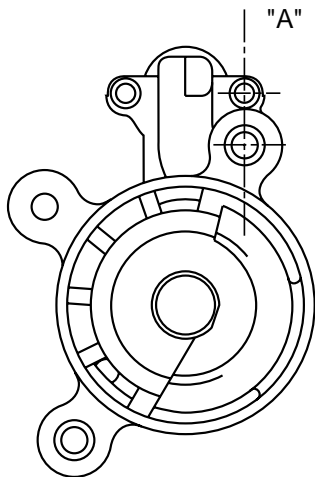
Mtg. Ear-2 Hole Size: 11mm

Mtg. Ear-2 to Bushing Center: 54mm

Locating Dia: 55mm

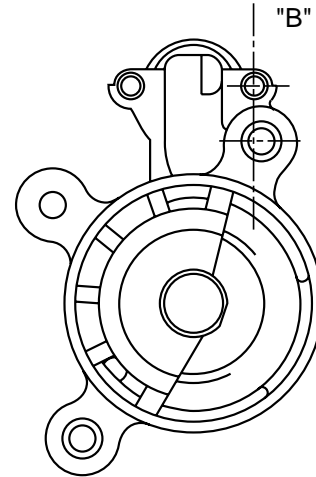
STARTER - HOUSINGS, D.E. (51-)

51-238 AND 51-252 D.E. HOUSINGS



51-238 is used on Starters with 10-Tooth Drive (54-212).

51-252 is used on Starters with 12-Tooth Drive (54-215).



Note that the center line "A" on the 51-238 aligns with the center line of the mounting hole.

On the 51-252, the center line "B" does not align with the mounting hole.

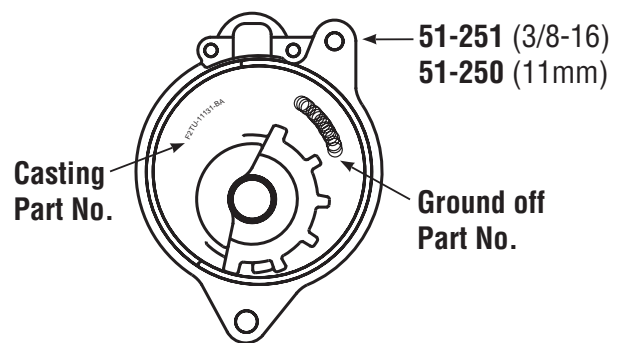
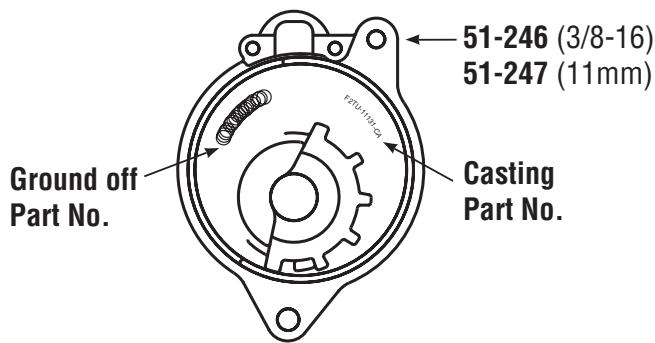
The 51-252 D.E. Housing can replace the 51-238 provided 51-252 is used with the 12-Tooth Drive (54-215).

Ford recommends replacing the 10-tooth Starter F00Y-11002-A or F2DZ-11002-A (2-1557-FD) with a 12-tooth Starter: F3DZ-11002-B (2-1570-FD) to correct a condition that may be encountered on 1992-93 Ford SHO Taurus 3.0L where the starter-motor cranking speed is inadequate, causing fuel flooding.

51-246 AND 51-251 D.E. HOUSINGS

51-247 AND 51-250 D.E. HOUSINGS

These housings appear similar but are not interchangeable.



Each of these housings were originally cast with two OE numbers on the casting. But after they were machined, Ford ground off one of those numbers, depending on how they had machined that particular housing.

51-246 and 51-251 both housings w/ 3/8-16 Mtg. Hole Size

51-246 OE number is visible in the 1:30 area on the casting, and the ground-off area is at about 10:30

51-251 OE number is visible in the 10:30 area on the casting, and the ground-off area is at about 1:30

51-247 and 51-250 both housings w/ 11mm Mtg. Hole Size

51-247 OE number is visible in the 1:30 area on the casting, and the ground-off area is at about 10:30

51-250 OE number is visible in the 10:30 area on the casting, and the ground-off area is at about 1:30

STARTER - SHIFT LEVERS (55-)

BOSCH



**55-9102
Shift Lever**

For: Bosch 358, 359, 360, 362, 363, 364, 365, 366, 367, 368, 369 Series DD Starters

Used On: (1987-74) Audi, Mercedes, Peugeot, Volvo; Deutz, Iveco, Magirus

Replaces: Bosch 2-001-933-149, 2-001-933-175



**55-9103
Shift Lever**

For: Bosch 107, 108, 110, 114 Series PMDD, PMGR Starters

Used On: (2005-82) Alfa Romeo, Audi, BMW, Cadillac, Chrysler, Dodge, Eagle, Jaguar, Jeep, Land Rover, Mercedes, Merkur, Mitsubishi, Plymouth, Pontiac, Porsche, Renault, Saab, VW, Volvo, Winnebago

Replaces: Bosch 1-001-933-111

CHRYSLER



**55-301
Shift Lever**

For: Chrysler 1.5 HP, 1.8 HP OSGR Starters

Replaces: Chrysler 3755094

Dim: 32mm Fork ID

DELCO



**55-100
Shift Lever**

For: Delco 5MT, SD200 Series DD Starters

Replaces: Delco 1893358, D4911

Dim: 11mm Button OD



**55-101
Shift Lever**

For: Delco 5MT, SD200, SD250 Series DD Starters

Replaces: Delco 1984501, D4912

Dim: 8mm Button OD



**55-104
Shift Lever**

For: Delco 8MT, 10MT, 15GR, 20MT, 25MT, 27MT, SD300 Series DD Starters

Replaces: Delco 801433, D4910

Features:

- Premium Quality

**55-104-1
Shift Lever**

Same as 55-104 except...

Features:

- Best Value



**55-105
Shift Lever**

For: Delco 10MT, 20MT, 22MT, 25MT, 27MT, SD300 Series DD Starters

Replaces: Delco 1951567, D4908



**55-106
Shift Lever**

For: Delco 30MT, 35MT Series External Rotatable DD Starters

Replaces: Delco 1851954



**55-107
Shift Lever**

For: Delco 30MT, 35MT Series Internal Rotatable DD Starters

Replaces: Delco 1942245, D4906



**55-108
Shift Lever**

For: Delco 37MT Series DD Starters

Replaces: Delco 1985237

STARTER - SHIFT LEVERS (55-)

DELCO (cont'd.)



55-109

Shift Lever

For: Delco 40MT, 50MT Series DD Starters

Replaces: Delco 1945484



55-110

Shift Lever

For: Delco 41MT, 42MT Series DD Starters

Replaces: Delco 1988097



55-112

Shift Lever

For: Delco PG200, PG250 Series PMGR Starters

Unit Nos: Delco 9000719, 9000735, 9000762, 9000768, 9000773, 9000775, 9000776, 9000789, 9000797



55-115

Shift Lever

For: Delco SD210, SD260 Series DD Starters

Replaces: Delco 10473701, 10496371

Components:
71-1325 Seal



55-117

Shift Lever

For: Delco PG260M Series PMGR Starters

Replaces: Delco 10476604

Unit Nos: Delco 9000786, 9000798, 9000804, 9000805, 9000806, 9000812, 9000819, 9000820, 9000821, 9000822, 9000827, 9000834, 9000835, 9000844, 9000850, 9000851, 9000853, 9000860, 9000861, 9000862, 9000863, 9000864, 9000865, 9000866, 9000867, 9000899, 9000900

Lester Nos: 6449, 6452, 6470, 6471, 6472, 6480, 6482, 6486, 6487

Dim: 26mm Fork ID x 80mm L

Note: Used w/ 55-1403 shift lever support



55-118

Shift Lever

For: Delco SD205, SD255 Series DD Starters

Replaces: Delco 10487534

(cont'd.)

(cont'd.)

Unit Nos: Delco 10455064, 10455065, 10455066, 10455067, 10455069, 10455071, 10455072, 10455073, 10455074, 10455080, 10455081, 10455084, 24507409, 24507410

Lester Nos: 6473, 6474, 6475, 6476, 6483

Dim: 11mm Button OD

Note: With offset buttons

Features:

- Premium Quality

55-118-1

Shift Lever

Same as 55-118 except...

Features:

- Best Value



55-119

Shift Lever

For: Delco PG260F1 Series PMGR Starters

Unit Nos: Delco 9000833, 9000847, 9000859

Lester Nos: 6481

Dim: 23mm Fork ID x 81mm L



55-120

Shift Lever

For: Delco PG260F2, PG260G, PG260L Series PMGR Starters

Unit Nos: Delco 8000052, 059, 061; 9000836, 841, 854, 857, 858, 871, 872, 873, 874, 875, 876, 878, 879, 880, 881, 882, 884, 885, 888, 895, 896, 904, 910, 925, 926, 927, 931, 962, 964, 966, 973, 979, 979; 24506694

Lester Nos: 6449, 6471, 6472, 6480, 6482, 6484, 6485, 6489, 6490, 6492, 6792

Dim: 26mm Fork ID x 80mm L



55-122
Shift Lever

For: Delco PG260D Series PMGR Starters
Used On: (2005-01) Buick, Cadillac, Chevrolet, GMC, Isuzu, Nissan, Oldsmobile, Pontiac, Saab, Saturn
Unit Nos: Delco 8000045, 8000058, 9000856, 9000868, 9000901, 9000908, 9000933, 9000939, 9000951, 9000977, 10455504, 12563764, 12564089, 12570255, 12575083, 12578050, 12579131, 12587865, 12592294, 12593764, 89017523
Lester Nos: 6491, 6493, 6494, 6749



55-8400
Shift Lever

For: Delco 28MT Series OSGR Starters
Replaces: Delco 10456464
Note: Used w/ 85-1327 screw, 84-4401 lock washer, 85-2307 hex lock nut



79-1138
Shift Lever Kit

For: Delco 40MT, 50MT Series DD Starters
Components:
 55-109 Shift Lever
 55-1202 Shift Lever Shaft
 71-1500 O-Ring 3/8 ID x 1/2 OD
 71-1504 O-Ring 1/4 ID x 3/8 OD
 84-2409 Hex Nut, Nylon Lock 5/16-24
 84-8901 Snap Ring, Shift Lever



79-1139
Shift Lever Kit

For: Delco 42MT Series DD Starters
Components:
 55-110 Shift Lever
 55-1202 Shift Lever Shaft
 71-1500 O-Ring 3/8 ID x 1/2 OD
 71-1504 O-Ring 1/4 ID x 3/8 OD
 84-2409 Hex Nut, Nylon Lock 5/16-24
 84-8901 Snap Ring, Shift Lever

FORD



55-203
Shift Lever

For: Ford 4" Mod II DD Starters
Replaces: Ford E2BZ-11067-A, SZ-775
Lester Nos: 3133, 3175, 3179, 3180, 3181, 3185, 3187, 3188, 3189, 3191, 3196, 3198



55-205
Shift Lever

For: Ford 4-1/2" DD Starters
Replaces: Ford C0DF-11067-A, C0DF-11067-B, SZ-593
Lester Nos: 3131



55-206
Shift Lever

For: Ford 4-1/2" Mod I DD Starters
Replaces: Ford D7AZ-11067-A, SZ-736
Lester Nos: 3165



55-207
Shift Lever

For: Ford 4-1/2" Mod II DD Starters
Replaces: Ford E1AZ-11067-A, SZ-764
Lester Nos: 3168, 3169, 3172, 3174, 3176



55-209
Shift Lever

For: Ford PMGR, PMGR External Thru Bolt Starters
Replaces: Ford E9OZ-11067-A, SZ-847
Note: 1st design. 1st design will not replace 2nd design, 55-210 in starters with plunger boot & retaining ring.

STARTER - SHIFT LEVERS (55-)

FORD (cont'd.)



55-210
Shift Lever

For: Ford PMGR, PMGR Noseless Starters

Note: 2nd design w/ cut-out for plunger boot & retaining ring. 2nd design can replace 1st design 55-209.

LUCAS



55-9200
Shift Lever

For: Lucas M50 Series Starters

Replaces: Lucas 54243847

Unit Nos: Lucas 26211, 26227, 26338, 26339, 26341, 26379, 26431

Note: Includes shift lever pivot & hex nut.

MANDO



55-8306
Shift Lever

For: Mando PMGR; Mitsubishi PMGR, PMOSGR Starters

Used On: (2005-85) AMC, Caterpillar, Chevrolet, Chrysler, Clark, Dodge, Eagle, Ford, Geo, Hyundai, Infiniti, Jeep, Mazda, Mercury, Mitsubishi, Nissan, Plymouth, Subaru, Suzuki
(cont'd.)

(cont'd.)

Lester Nos: 16874, 888, 889, 900, 930, 931, 932, 933, 939, 998; 17006, 046, 131, 132, 133, 142, 146, 151, 161, 166, 167, 175, 176, 180, 185, 192, 194, 206, 214, 217, 221, 246, 266, 425, 448, 451, 461, 467, 469, 470, 479, 480, 505, 514, 539, 541, 557, 559, 566, 592, 599, 683, 686, 688, 689, 691, 708, 709, 717, 718, 719, 722, 723, 734, 740, 765, 766, 767, 772, 773, 775, 795, 796

Dim: 35mm Fork ID x 73mm L



55-8309
Shift Lever

For: Mando, Mitsubishi DD Starters

Used On: (2001-83) Chevrolet, Dodge, Eagle, Ford, Geo, Hyundai, Kia, Mazda, Mercury, Mitsubishi, Nissan, Plymouth, Suzuki; Nissan Lift Truck, Yale

Lester Nos: 16514, 16711, 16729, 16774, 16793, 16794, 16858, 16922, 16938, 16940, 16966, 16971, 17010, 17181, 17212, 17270, 17288, 17662, 17684, 17704, 17732

Dim: 22mm Fork ID x 82mm L

MITSUBISHI



55-8300
Shift Lever

For: Mitsubishi OSGR Starters

Used On: (1994-85) Ford 6.9L, 7.3L (Diesel)

Unit Nos: Mitsubishi M3T90071, M3T90072

Lester Nos: 17037

WAI Ref. Nos: 2-1254-MI



55-8303
Shift Lever

For: Mitsubishi DD Starters

Used On: (1982-72) Dodge, Mazda, Plymouth; Mitsubishi Lift Truck, Onan

Lester Nos: 16203, 16209, 16210, 16500, 16513, 16514, 16519, 16520, 16522, 16793, 16805, 17332

WAI Ref. Nos: 2-1076-MI, 2-1079-MI, 2-1086-MI, 2-1129-MI, 2-1130-MI, 2-1168-MI, 2-1224-MI, 2-1225-MI, 2-1227-MI, 2-1727-MI, 2-1738-MI, 2-1741-MI

Dim: 22mm Fork ID

Components:

55-83400 Shift Lever Support



55-8306
Shift Lever

For: Mando PMGR; Mitsubishi PMGR, PMOSGR Starters

Used On: (2005-85) AMC, Caterpillar, Chevrolet, Chrysler, Clark, Dodge, Eagle, Ford, Geo, Hyundai, Infiniti, Jeep, Mazda, Mercury, Mitsubishi, Nissan, Plymouth, Subaru, Suzuki

Lester Nos: 16874, 888, 889, 900, 930, 931, 932, 933, 939, 998; 17006, 046, 131, 132, 133, 142, 146, 151, 161, 166, 167, 175, 176, 180, 185, 192, 194, 206, 214, 217, 221, 246, 266, 425, 448, 451, 461, 467, 469, 470, 479, 480, 505, 514, 539, 541, 557, 559, 566, 592, 599, 683, 686, 688, 689, 691, 708, 709, 717, 718, 719, 722, 723, 734, 740, 765, 766, 767, 772, 773, 775, 795, 796

Dim: 35mm Fork ID x 73mm L



55-8307

Shift Lever

For: Mitsubishi DD Starters
Used On: (1987-74) Dodge, Mazda, Mitsubishi, Nissan, Plymouth; Mitsubishi Lift Truck, Nissan Lift Truck, Yale
Lester Nos: 16268, 16514, 16527, 16708, 16728, 16729, 16741, 16742, 16774, 16793, 16794, 16795, 16796, 16858, 16859, 16938
WAI Ref. Nos: 2-1094-MI, 2-1132-MI, 2-1133-MI, 2-1134-MI, 2-1136-MI, 2-1139-MI, 2-1141-MI, 2-1142-MI, 2-1166-MI, 2-1168-MI, 2-1173-MI, 2-1727-MI, 2-1728-MI, 2-1729-MI, 2-1740-MI
Dim: 23mm Fork ID x 81mm L



55-8308

Shift Lever

For: Mitsubishi PLGR Starters
Used On: (2000-94) Ford Van, Pickup 7.3L (Diesel)
Unit Nos: Mitsubishi M8T50071, M8T50171
Lester Nos: 17577, 17578
WAI Ref. Nos: 2-1747-MI, 2-1748-MI



55-8309

Shift Lever

For: Mando, Mitsubishi DD Starters
Used On: (2001-83) Chevrolet, Dodge, Eagle, Ford, Geo, Hyundai, Kia, Mazda, Mercury, Mitsubishi, Nissan, Plymouth, Suzuki; Nissan Lift Truck, Yale
Lester Nos: 16514, 16711, 16729, 16774, 16793, 16794, 16858, 16922, 16938, 16940, 16966, 16971, 17010, 17181, 17212, 17270, 17288, 17662, 17684, 17704, 17732
Dim: 22mm Fork ID x 82mm L



55-8310

Shift Lever

For: Mitsubishi DD, PMDD Starters
Used On: (2002-85) Dodge, Mitsubishi, Plymouth; Kubota, Woods
Unit Nos: Mitsubishi M2T30381, M2T30481, M2T32281, M2T40081, M2T42381, M2T44781, M2T49881
Lester Nos: 16941, 16971, 17212, 17733
WAI Ref. Nos: 2-1166-MI, 2-1445-MI, 2-1548-MI, 2-1783-MI, 2-1860-MI
Dim: 22mm Fork ID x 77mm L
Note: Similar to 55-8309 except 55-8309 is 82mm L

NIPPONDENSO



55-8201

Shift Lever

For: Nippondenso PLGR Starters
Used On: (2005-89) Acura, Chevrolet, Geo, Honda, Isuzu, Suzuki, Toyota
Unit Nos: Nippondenso 128000-568, -621, -642, -740, -853, -889; 228000-402, -403, -646, -673, -675, -676, -833, -854, -855; 428000-032
Lester Nos: 17142, 17203, 17252, 17253, 17679, 17680, 17703, 17803, 17805, 17806, 17845
WAI Ref. Nos: 2-1189-ND, 2-1201-ND, 2-1543-ND, 2-1544-ND, 2-1693-ND, 2-1839-ND, 2-1840-ND, 2-1841-ND, 2-1958-ND, 2-1959-ND, 2-2050-ND, 2-2057-ND, 2-2058-ND, 2-2331-ND



55-8203

Shift Lever Kit

For: Nippondenso PLGR Starters
Used On: (2005-00) Acura, Honda, Toyota
Unit Nos: Honda 31200-PCX-A01; 31200-PLR-A01, -A02; Nippondenso 228000-833, -854, -855; 428000-032; Toyota 28100-21020, -21030
Lester Nos: 17803, 17805, 17806, 17845
WAI Ref. Nos: 2-2050-ND, 2-2057-ND, 2-2058-ND, 2-2331-ND
Components:
 55-8201 Shift Lever
 55-82402 Support
 55-82404 Pad

STARTER - SHIFT LEVERS (55-)

VALEO



55-9400

Shift Lever

For: Valeo PMGR Starters

Used On: (1999-95) Saturn

Unit Nos: Delco 21023232, 21023719;

Valeo D6RA65, D6RA85, D6RA165,

D6RA185

Lester Nos: 17667

WAI Ref. Nos: 2-1713-VA

STARTER - SHIFT LEVERS

STARTER - SMALL PARTS (71-, 72-, 76-, 79-)

BOSCH



55-91400

Support - Shift Lever

For: Bosch 108, 110 Series PMGR Starters

Used On: (2002-82) Alfa Romeo, Audi, BMW, Chrysler, Dodge, Jaguar, Jeep, Mercedes, Merkur, Plymouth, Pontiac, Porsche, Saab, VW, Volvo, Winnebago

Lester Nos: 16956, 962, 963, 976, 980; 17011, 013, 023, 030, 038, 039, 047, 068, 082, 124, 140, 148, 149, 150, 164, 210, 218, 222, 223, 225, 227, 231, 233, 236, 237, 276, 279, 280, 406, 408, 508, 670, 698

Dim: 33mm OAL

Note: Used w/ 55-9103 shift lever



58-91500

Magnet - North Pole

For: Bosch 107, 108 Series PMGR Starters

Used On: (2005-83) Alfa Romeo, Audi, BMW, Chrysler, Dodge, Eagle, Jeep, Land Rover, Mercedes, Merkur, Mitsubishi, Plymouth, Pontiac, Porsche, Renault, Saab, VW, Volvo

Dim: 42mm L x 25mm W x 7mm T



58-91501

Magnet - South Pole

For: Bosch 107, 108 Series PMGR Starters

Used On: (2005-83) Alfa Romeo, Audi, BMW, Chrysler, Dodge, Eagle, Jeep, Land Rover, Mercedes, Merkur, Mitsubishi, Plymouth, Pontiac, Porsche, Renault, Saab, VW, Volvo

Dim: 42mm L x 25mm W x 7mm T



58-91502

Magnet - North Pole

For: Bosch 110 Series PMGR Starters

Used On: (2005-82) Audi, BMW, Chrysler, Dodge, Jaguar, Land Rover, Mercedes, Plymouth, Porsche, VW, Volvo, Winnebago

Dim: 61mm L x 27mm W x 7mm T



58-91503

Magnet - South Pole

For: Bosch 110 Series PMGR Starters

Used On: (2005-82) Audi, BMW, Chrysler, Dodge, Jaguar, Land Rover, Mercedes, Plymouth, Porsche, VW, Volvo, Winnebago

Dim: 61mm L x 27mm W x 7mm T



71-91103

Gasket - C.E. Cover

For: Bosch 108, 110, 114 Series PMGR Starters

Used On: (2005-82) Alfa Romeo, Audi, BMW, Cadillac, Chrysler, Dodge, Eagle, Jaguar, Land Rover, Mercedes, Mitsubishi, Plymouth, Pontiac, Porsche, Saab, VW, Volvo, Winnebago

Lester Nos: 16956, 962, 963; 17013, 023, 030, 038, 068, 124, 135, 140, 149, 210, 218, 222, 223, 225, 231, 233, 236, 237, 279, 280, 281, 282, 406, 407, 408, 415, 416, 417, 497, 508, 563, 572, 663, 690, 702, 705, 720, 730, 751, 778, 782, 792

Dim: 18.5mm ID x 24mm OD x 1.3mm T



71-91304

Plug - Stationary Gear

For: Bosch 107, 108 Series PMGR Starters

(cont'd.)

(cont'd.)

Used On: (2005-86) Audi, BMW, Chrysler, Dodge, Mercedes, Plymouth, VW, Volvo

Unit Nos: Bosch 0-001-107-031; 0-001-108-003, -018, -042, -063, -064, -065, -074, -088, -089, -101, -106, -107, -110, -113, -115, -121, -135, -145, -149; 9-007-045-009

Lester Nos: 16956, 17039, 17135, 17140, 17148, 17210, 17233, 17236, 17406, 17407, 17508, 17560, 17572, 17699

WAI Ref. Nos: 2-1263-BO, 2-1266-BO, 2-1269-BO, 2-1278-BO, 2-1290-BO, 2-1292-BO, 2-1378-BO, 2-1394-BO, 2-1457-BO, 2-1536-BO, 2-1537-BO, 2-1681-BO, 2-1873-BO

Note: Used w/ 76-91815 plastic retainer in starters w/ metal stationary gear



71-91314

Grommet - Motor Lead

For: Bosch 311 Series DD Starters

Used On: (1985-75) Volvo

Lester Nos: 16353

WAI Ref. Nos: 2-1285-BO

Dim: 14.9mm L x 9.9mm W x 9.9mm H
Hole Dia.: 4mm



71-91315

Grommet - Motor Lead

For: Bosch DD Starters

Dim: 14.7mm L x 10.4mm W x 10.4mm H
Hole Dia.: 5mm



71-91316

Plug - Shift Lever Support

For: Bosch 312 Series DD Starters

Used On: (1995-72) Mercedes, Porsche, VW

Lester Nos: 16426, 16544, 16609, 16951

WAI Ref. Nos: 2-1273-BO, 2-1339-BO, 2-1344-BO, 2-1357-BO

STARTER - SMALL PARTS (71-, 72-, 76-, 79-)

BOSCH (cont'd.)



76-91803

Retaining Ring

For: Bosch 359, 360, 362, 363, 367, 368 Series DD Starters

Dim: 2.3mm Wire Dia.

Note: Used w/ 76-91806 stop collar in starters w/ 14mm armature shaft



76-91806

Stop Collar

For: Bosch 359, 360, 362, 363, 367, 368 Series DD Starters

Dim: 14mm ID x 21.8mm OD x 5.5mm W

Note: Used w/ 76-91803 retaining ring in starters w/ 14mm armature shaft



76-91809

Stationary Gear

For: Bosch 108 Series PMGR Starters

Used On: (1999-83) Alfa Romeo, Audi, Chrysler, Dodge, Eagle, Jeep, Land Rover, Merkur, Plymouth, Pontiac, Renault, Saab, VW, Volvo

Replaces: Bosch 1-005-821-307

Unit Nos: Bosch 0-001-108-013, -021, -022, -023, -026, -027, -030, -031, -032, -035, -037, -038, -040, -045, -046, -048, -051, -052, -053, -056, -061, -066, -068, -069, -070, -072, -073, -076, -077, -081, -084, -091, -092, -093, -094, -095, -103, -104, -105, -137, -144, -151, -154

Lester Nos: 16956, 16962, 16963, 16976, 16980, 17011, 17013, 17023, 17124, 17135, 17139, 17163, 17164, 17210, 17218, 17222, 17223, 17225, 17233, 17276, 17406, 17663, 17670

Dim: 37-Teeth, 47mm Gear ID

Note: 5.2mm dia. D.E. locating pin



76-91810

Stationary Gear

For: Bosch 110 Series PMGR Starters

Used On: (2002-82) Chrysler, Dodge, Jaguar, Land Rover, Plymouth, VW, Winnebago

Replaces: Bosch 1-005-821-303

Lester Nos: 17030, 17047, 17068, 17082, 17149, 17231, 17690, 17705

WAI Ref. Nos: 2-1337-BO, 2-1362-BO, 2-1365-BO, 2-1392-BO, 2-1531-BO, 2-1899-BO, 2-1911-BO, 2-1919-BO

Dim: 42-Teeth, 53mm Gear ID



76-91812

Stationary Gear

For: Bosch 218 Series PLGR Starters

Used On: (2001-84) BMW, Mercedes, Volvo (Diesel)

Replaces: Bosch 9-001-140-322, 9-003-336-321

Unit Nos: Bosch 0-001-218-004, 0-001-218-006, 0-001-218-009, 0-001-218-012, 0-001-218-013, 0-001-218-017, 0-001-218-018, 0-001-218-021, 0-001-218-027, 0-001-218-028

Lester Nos: 17009, 17016, 17040, 17183

WAI Ref. Nos: 2-1262-BO, 2-1268-BO, 2-1276-BO, 2-1289-BO

Dim: 42-Teeth



76-91813

Planetary Gear Assy.

For: Bosch 218 Series PLGR Starters

Used On: (2001-85) BMW, Volvo (Diesel)

Replaces: Bosch 9-001-140-362

Unit Nos: Bosch 0-001-218-004,

0-001-218-009, 0-001-218-012,

0-001-218-013, 0-001-218-017,

0-001-218-018, 0-001-218-027,

0-001-218-028

Lester Nos: 17009, 17016, 17183

WAI Ref. Nos: 2-1262-BO, 2-1268-BO, 2-1289-BO

Dim: 140mm L



76-91815

Retainer - Metal Stationary Gear

For: Bosch 108 Series PMGR Starters

Used On: (2005-86) Audi, BMW,

Chrysler, Dodge, Mercedes, Plymouth, VW, Volvo

Unit Nos: Bosch 0-001-108-003,

0-001-108-018, 0-001-108-042,

0-001-108-063, 0-001-108-064,

0-001-108-065, 0-001-108-074,

0-001-108-088, 0-001-108-089,

0-001-108-101, 0-001-108-106,

0-001-108-107, 0-001-108-110,

0-001-108-113, 0-001-108-115,

0-001-108-121, 0-001-108-135,

0-001-108-145, 0-001-108-149

Lester Nos: 16956, 17039, 17135, 17140, 17148, 17210, 17233, 17236, 17406, 17407, 17508, 17699

WAI Ref. Nos: 2-1263-BO, 2-1266-BO, 2-1269-BO, 2-1278-BO, 2-1290-BO, 2-1292-BO, 2-1378-BO, 2-1394-BO, 2-1457-BO, 2-1536-BO, 2-1537-BO, 2-1873-BO

Note: Used w/ 71-91304 rubber plug

STARTER - SMALL PARTS (71-, 72-, 76-, 79-)



76-91817

Stop Collar

For: Bosch 107, 108, 110 Series PMGR Starters

Used On: (2005-84) Audi, BMW, Cadillac, Chrysler, Dodge, Eagle, Jaguar, Land Rover, Mercedes, Mitsubishi, Plymouth, Porsche, Saab, VW, Volvo, Winnebago

Lester Nos: 16956, 16962, 16963, 16976, 17023, 17030, 17038, 17210, 17218, 17222, 17223, 17231, 17233, 17236, 17280, 17415, 17416, 17417, 17508, 17563, 17572, 17663, 17690, 17702, 17705, 17720, 17730, 17751, 17782, 17792

Dim: 11mm ID x 16.7mm OD x 4.7mm W

Note: Used w/ 76-91818 retaining ring in Bosch starters w/ 11mm drive shaft



76-91818

Retaining Ring

For: Bosch 107, 108, 110 Series PMGR; Valeo PMGR Starters

Used On: (2005-84) Audi, BMW, Cadillac, Chrysler, Dodge, Jaguar, Land Rover, Mercedes, Plymouth, Porsche, Saab, Saturn, VW, Volvo

Lester Nos: 16956, 16962, 16963, 16976, 17023, 17038, 17218, 17222, 17223, 17231, 17233, 17236, 17280, 17415, 17416, 17417, 17508, 17572, 17663, 17667, 17690, 17702, 17705, 17720, 17730, 17751, 17782, 17792

Dim: 2mm Wire Dia.

Note: Used w/ 76-91817 stop collar in Bosch starters w/ 11mm drive shaft.

Used w/ 76-91819 stop collar in Valeo starters w/ 12mm drive shaft.



76-91819

Stop Collar

For: Bosch 107, 108, 110 Series PMGR; 114 Series PMDD; 218 Series PLGR; Valeo PMGR Starters

Used On: (2005-82) Alfa Romeo, Audi, BMW, Cadillac, Chrysler, Dodge, Jaguar, Jeep, Land Rover, Mercedes, Merkur, Plymouth, Pontiac, Porsche, Renault, Saab, Saturn, VW, Volvo

Dim: 12mm ID x 17.8mm OD x 4.7mm W

Note: Used w/ 76-91820 retaining ring in Bosch starters w/ 12mm drive shaft.
Used w/ 76-91818 retaining ring in Valeo starters w/ 12mm drive shaft.



76-91820

Retaining Ring

For: Bosch 107, 108, 110 Series PMGR; 114 Series PMDD; 218 Series PLGR Starters

Used On: (2005-82) Alfa Romeo, Audi, BMW, Cadillac, Chrysler, Dodge, Eagle, Jaguar, Jeep, Land Rover, Mercedes, Merkur, Mitsubishi, Plymouth, Pontiac, Porsche, Renault, Saab, VW, Volvo, Winnebago

Dim: 2mm Wire Dia.

Note: Used w/ 76-91819 stop collar in Bosch starters w/ 12mm drive shaft



76-91821

Stationary Gear

For: Bosch 107 Series PMGR Starters

Used On: (2001-91) Isuzu, VW

Unit Nos: Bosch 0-001-107-003, 0-001-107-007, 0-001-107-008, 0-001-107-020, 0-001-107-021, 0-001-107-022, 0-001-107-024, F-005-M00-001

Lester Nos: 17222, 17223, 17415, 17416, 17770, 18473

WAI Ref. Nos: 2-1373-BO, 2-1376-BO, 2-1532-BO, 2-1534-BO, 2-1921-BO, 2-1988-BO

Dim: 37-Teeth, 47mm Gear ID

Features:

- Premium Quality

76-91821-1 Stationary Gear

Same as 76-91821 except...

Features:

- Best Value



76-91822

Retainer - Metal Stationary Gear

For: Bosch 107 Series PMGR Starters

Used On: (2005-95) Chrysler, Dodge, Eagle, Mitsubishi, Plymouth

Unit Nos: Bosch 0-001-107-031, 0-001-107-032, 0-001-107-049, 9-007-045-009, 9-007-045-018

Lester Nos: 17560, 563, 572, 736

WAI Ref. Nos: 2-1519-BO, 2-1681-BO, 2-1937-BO

Note: Used w/ 71-91304 rubber plug



76-91823

Retainer - Metal Stationary Gear

For: Bosch 110 Series PMGR Starters

Used On: (2002-86) Audi, BMW, Mercedes, Porsche, VW, Volvo

Unit Nos: Bosch 0-001-110-016, -029, -030, -039, -041, -047, -048, -053, -059, -060, -062, -063, -072, -073, -075, -080, -081, -084, -085, -086, -087, -091, -101, -106, -107, -118, -122, -123

Lester Nos: 17038, 17150, 17158, 17226, 17227, 17231, 17237, 17279, 17280, 17281, 17282, 17408, 17410, 17417, 17497, 17698

WAI Ref. Nos: 2-1267-BO, 2-1279-BO, 2-1280-BO, 2-1281-BO, 2-1347-BO, 2-1348-BO, 2-1349-BO, 2-1379-BO, 2-1531-BO, 2-1533-BO, 2-1535-BO, 2-1538-BO, 2-1539-BO, 2-1720-BO, 2-1794-BO

STARTER - SMALL PARTS (71-, 72-, 76-, 79-)

BOSCH (cont'd.)



79-91100
Repair Kit
12-24 Volt

For: Bosch 410, 411, 413, 414, 415, 416, 417, 418 Series DD Starters



79-91104
Repair Kit
12 Volt

For: Bosch 362, 366 Series DD Starters

Components:

- 62-91404 Bushing, D.E.
- 62-91502 Bushing, C.E.
- 62-91700 Bushing, C.S.
- 68-9110 Brush



79-91102
Repair Kit
12 Volt

For: Bosch 359 Series DD Starters

Components:

- 62-91407 Bushing, D.E.
- 62-91500 Bushing, C.E.
- 62-91700 Bushing, C.S.
- 68-9116 Brush



79-91106
Repair Kit
12 Volt

For: Bosch 367 Series DD Starters

Components:

- 62-91407 Bushing, D.E.
- 62-91502 Bushing, C.E.
- 62-91700 Bushing, C.S.
- 68-9113 Brush
- 85-1313 Screw

STARTER - SMALL PARTS (71-, 72-, 76-, 79-)



79-91107
Repair Kit
24 Volt

For: Bosch 368 Series DD Starters

Components:

- 62-91407 Bushing, D.E.
- 62-91502 Bushing, C.E.
- 62-91700 Bushing, C.S.
- 68-9124 Brush



79-91109
Repair Kit
12 Volt

For: Bosch 110 Series PMGR Starters

Components:

- 62-2200 Bushing, Planetary Gear
- 62-91200 Bushing, Planetary Gear
- 62-91300 Bushing, C.E. Frame
- 62-91302 Bushing, Planetary Shaft
- 62-91305 Bushing, Planetary Shaft
- 62-91400 Bushing, D.E. Hsg. (11mm ID)
- 62-91409 Bushing, D.E. Hsg. (12mm ID)
- 68-9131 Brush
- 68-9132 Brush
- 69-91707 Brush, Spring
- 71-91103 Gasket, C.E. Cover
- 76-91810 Stationary Gear
- 76-91818 Retaining Ring (11mm Shaft)
- 76-91820 Retaining Ring (12mm Shaft)
- 85-7501 Felt Washer, Armature C.E.



79-91108
Repair Kit
12 Volt

For: Bosch 108 Series PMGR Starters

Components:

- 62-2200 Bushing, Planetary Gear
- 62-91300 Bushing, C.E. Frame
- 62-91302 Bushing, Planetary Shaft
- 62-91305 Bushing, Planetary Shaft
- 62-91308 Bushing, D.E. Hsg.
- 62-91400 Bushing, D.E. Hsg.
- 62-91409 Bushing, D.E. Hsg.
- 68-9129 Brush
- 68-9130 Brush
- 69-91706 Brush, Spring
- 71-91103 Gasket, C.E. Cover
- 76-91809 Stationary Gear
- 76-91818 Retaining Ring (11mm Shaft)
- 76-91820 Retaining Ring (12mm Shaft)
- 85-7501 Felt Washer, Armature C.E.



79-91500
Terminal Kit - Field Coil

For: Bosch 359 Series DD Starters

Replaces: Bosch 2-007-011-533

STARTER - SMALL PARTS (71-, 72-, 76-, 79-)

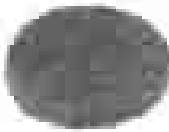
CHRYSLER



76-3100

Cover - Gear Housing

For: Chrysler 1.5 HP, 1.8 HP OSGR Starters
Replaces: Chrysler 2095116



76-3801

Oil Wick - End Plate

For: Chrysler 1.5 HP, 1.8 HP OSGR Starters
Replaces: Chrysler 2095562



76-94812

Felt Pad - C.E. Plate

For: Chrysler 'Tin Can' Type Starters w/ Externally Mtd. Solenoid; Prestolite MAW, MAX, MCH, MCL, MDF, MDG, MDL, MDM, MDT, MDU, MDY, MEC, MZ Series Starters
Replaces: Prestolite MAD-110,
 Ref# S-664

DELCO



55-1200

Shaft - Shift Lever

For: Delco 10MT, 20MT, 22MT, 25MT, 27MT, SD300 Series DD Starters

Replaces: Delco 1932197

Dim: 5/16-18 x 1-3/4 L



55-1201

Shaft - Shift Lever

For: Delco 5MT, 8MT, 10MT, 20MT, 25MT, 27MT, SD200, SD205, SD250, SD255, SD300 Series DD; 15GR Series OSGR Starters

Replaces: Delco 1945804

Note: Used w/ 84-8900 snap ring



55-1202

Shaft - Shift Lever

For: Delco 37MT, 40MT, 41MT, 42MT, 50MT Series DD Starters

Replaces: Delco 1948529, 1979917

Dim: 58.5mm L

Note: Used w/ 84-8901 snap ring



55-1203

Shaft - Shift Lever

For: Delco 30MT, 35MT Series External Rotatable DD Starters

Replaces: Delco 1851953

Dim: 42.5mm L

Note: Used w/ 84-8901 snap ring

STARTER - SMALL PARTS (71-, 72-, 76-, 79-)



55-1204

Shaft - Shift Lever

For: Delco 30MT, 35MT Series Internal Rotatable DD Starters

Replaces: Delco 1942255, 1948688

Dim: 33mm L



55-1205

Pin - Plunger to Shift Lever

For: Delco 30MT, 35MT Series Internal Rotatable DD Starters

Replaces: Delco 1942253

Note: Used w/ 76-1304 clip



55-1206

Shaft - Shift Lever

For: Delco 37MT, 41MT Series DD Starters

Replaces: Delco 10497854

Dim: 43mm L

Note: Used w/ 84-8907 retainer



55-1301

Button - Shift Lever

For: Delco 10MT, 15GR, 20MT, 22MT, 25MT, 27MT, 30MT, 35MT, SD300 Series DD Starters

Dim: 11mm OD x 7.5mm L

Note: Used in 55-105 shift lever



55-1400

Support - Shift Lever

For: Delco PG200, PG250 Series PMGR Starters

Note: Used w/ 55-112 shift lever



55-1403

Support - Shift Lever

For: Delco PG260M Series PMGR Starters

Note: Used w/ 55-117 shift lever



58-105

Pole Shoe

For: Delco 20MT, 22MT, 25MT, 27MT Series DD Starters

Replaces: Delco 1887021

Dim: 99mm L x 30mm W



58-107

Pole Shoe

For: Delco 35MT, 40MT, 42MT Series DD Starters

Replaces: Delco 1934477, 1934478

Dim: 108mm L x 33mm W



58-108

Pole Shoe

For: Delco 37MT, 41MT Series DD Starters

Replaces: Delco 1985319

Dim: 86mm L x 33mm W



58-109

Pole Shoe

For: Delco 50MT Series DD Starters

Replaces: Delco 1869747

Dim: 129mm L x 25mm W



58-8400

Pole Shoe

For: Delco 28MT Series OSGR Starters

Dim: 54.3mm L x 19.5mm W



61-1701

Collar - Armature Shaft

For: Delco 5MT, SD200, SD205, SD210 Series DD Starters

Note: Used in 61-139 armature

STARTER - SMALL PARTS (71-, 72-, 76-, 79-)

DELCO (cont'd.)



71-1100

Gasket - C.S. Frame

For: Delco 10MT, 20MT, 22MT, 25MT, 27MT, SD300 Series, Wet Clutch DD Starters

Replaces: Delco 1962603

Note: Used w/ 53-101 C.S. frame



71-1101

Gasket - C.E. Frame to Field Case

For: Delco 30MT, 35MT Series Internal Rotatable DD Starters

Replaces: Delco 1966263



71-1102

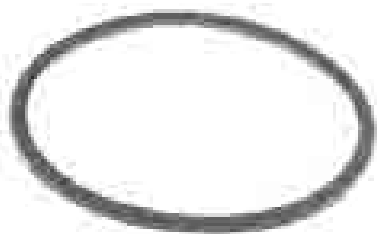
Gasket - D.E. Hsg. to Lever Hsg.

For: Delco 30MT, 35MT Series Internal Rotatable DD Starters

Replaces: Delco 1946012

Dim:

87.5mm ID x 95mm OD x 1.6mm T
3-15/32" ID x 3-3/4" OD x 1/16" T



71-1103

Gasket - D.E. Hsg. to Lever Hsg.

For: Delco 40MT, 50MT Series DD Starters

Replaces: Delco 1945476

Dim: 79.5mm ID x 89mm OD x 2mm T
3-1/8" ID x 3-1/2" OD x 5/64" T



71-1104

Gasket - Inspection Plug

For: Delco 30MT*, 35MT*, 37MT, 40MT, 41MT, 42MT, 50MT Series DD Starters

Replaces: Delco 1964857

Dim:

33.5mm ID x 40mm OD x 2.5mm T
1-5/16" ID x 1-9/16" OD x 3/32" T

Note: Used w/ 76-1844 inspection plug.
*External rotatable starters.



71-1105

Gasket - Brush Cover Plate

For: Delco 40MT Series DD Starters

Replaces: Delco 1945477, 1948512



71-1106

Gasket - Expansion Plug

For: Delco 40MT, 50MT Series DD Starters

Replaces: Delco 1933111

Dim: 25.5mm OD x .5mm T
1" OD x .022" T

Note: Vulcanized fiber



71-1109

Gasket - Starter Mounting

For: Delco 40MT, 50MT Series DD Starters

Used On: Caterpillar & other Wet Clutch Applications

Replaces: Caterpillar 4H7869



71-1110

Seal - D.E. Housing

For: Delco 10MT, SD300 Series DD Starters

Used On: (1993-82) Cadillac, Chevrolet, GMC

Replaces: Delco 801834

Unit Nos: Delco 1108442, 448; 1998396, 397, 438, 443, 491, 560, 565, 579, 588, 589; 10455306

Lester Nos: 3510M, 3733

Note: Used inside 51-117 D.E. housing



71-1111

Seal - D.E. Housing

For: Delco 10MT, SD300 Series DD Starters

Used On: Marine Applications

Replaces: Delco 1957886

Unit Nos: Delco 1107259, 260, 306, 400, 496, 596; 1108361, 365, 366, 367, 375, 380, 381, 448, 477, 743; 1109481, 482, 488, 489, 490, 492, 597

Note: Converts standard Delco 10MT series housings to be used on marine applications.

Used in 51-122 D.E. housing.

Features:

- Gas, oil, flame- resistant

STARTER - SMALL PARTS (71-, 72-, 76-, 79-)



71-1112

Gasket - Starter Mounting

For: Delco 10MT, 20MT, 22MT, 27MT SD300 Series, Wet Clutch DD Starters

Used On: Industrial Applications

Replaces: Hyster 112632

Unit Nos: Delco 1107335, 583, 592, 874; 1108443, 1108493, 418, 423, 439; 1113600; 1998293, 298, 340, 468, 576; 10455324, 326, 327, 349



71-1113

Gasket - Field Case

For: Delco PG260M Series PMGR Starters

Replaces: Delco 10475908



71-1114

Gasket - Starter to Engine

For: Delco PG260M Series PMGR Starters

Note: Used with PG260M series starters when replacing 10MT series starters



71-1115

Seal - Stationary Gear

For: Delco PG260F2, PG260L Series PMGR Starters



71-1116

Seal - Stationary Gear

For: Delco PG260D Series PMGR Starters

Unit Nos: Delco 8000045, 8000058, 9000856, 9000868, 9000901, 9000908, 9000933, 9000939, 9000951, 9000977, 10455504

Lester Nos: 6491, 6493, 6494, 6749



71-1117

Seal - Stationary Gear

For: Delco PG260G Series PMGR Starters



71-1300

Grommet - Motor Lead

For: Delco 5MT, SD200 Series DD Starters

Replaces: Delco 1893303

Unit Nos: Delco 1109521, 1109522, 1109523, 1109524, 1109526, 1109528, 1109530

Note: Used w/ 71-1301 on field cases w/ 1" slot depth



71-1301

Grommet - Motor Lead

For: Delco 5MT, SD200 Series DD Starters

Replaces: Delco 1893304

Unit Nos: Delco 1109521, 1109522, 1109523, 1109524, 1109526, 1109528, 1109530

Note: Used w/ 71-1300 on field cases w/ 1" slot depth



71-1302-1

Grommet - Motor Lead

For: Delco 10MT, SD300 Series DD Starters

Replaces: Delco 1966391

Dim: 15mm OAL



71-1303

Grommet - Motor Lead

For: Delco 10MT, SD300 Series DD Starters

Replaces: Delco 1949327, 1965047



71-1304-1

Grommet - Motor Lead

For: Delco 10MT, 20MT, 22MT, 25MT, 27MT, SD300 Series DD Starters

Replaces: Delco 1846097, 1893370, 1955946

Dim: 10.5mm OAL



71-1305

Seal - Stationary Gear

For: Delco PG150S, PG260F1* Series PMGR Starters

Unit Nos: Delco 9000794, 9000833, 9000839, 9000840, 9000847

Lester Nos: 6445, 6481, 6791

Note: For units w/ external thru-bolts, 3 locating tabs.

*1st production PG260F1 design:

71-1305 seal should be used

w/ 76-1806 stationary gear.

STARTER - SMALL PARTS (71-, 72-, 76-, 79-)

DELCO (cont'd.)



71-1307

Grommet - Motor Lead

For: Delco SD210, SD260 Series DD Starters



71-1308

Grommet - Field Coil Term.

For: Delco 37MT, 41MT, 42MT Series DD Starters

Replaces: Delco 1988340

Dim: 12.5mm (1/2") ID



71-1309

Insulator - C.E. Terminal

For: Delco 37MT, 40MT, 41MT, 42MT, 50MT Series DD Starters

Replaces: Delco 1851604; 1851632 (set#)

Dim: 12.5mm (1/2") ID



71-1310

Grommet - Field Coil Term.

For: Delco 40MT, 50MT Series DD Starters

Replaces: Delco 1965472 (set#)

Dim: 12.5mm (1/2") ID



71-1311

Plug - D.E. Mounting Holes

For: Delco 37MT, 40MT, 41MT, 42MT, 50MT Series DD Starters

Replaces: Delco 1949619

Dim: 12.5mm (1/2") Dia.



71-1312

Grommet - Motor Lead

For: Delco 5MT, SD200, SD250 Series DD Starters

Replaces: Delco 1984527

Note: Used in field cases with 1/2" slot depth



71-1314

Plug - Lever Housing

For: Delco 40MT, 50MT Series DD Starters

Replaces: Delco 1964402



71-1315

Insulator - Field Coil Term.

For: Delco 30MT, 35MT Series DD Starters

Replaces: Delco 1946542

Dim: 9.5mm (3/8") ID



71-1317

Grommet - Motor Lead

For: Delco 37MT Series DD Starters

Replaces: Delco 1985318

Note: Used w/ 52-110 early type C.E. frame w/ cutout for field. coil terminal



71-1319

Drain Tube - Field Case

For: Delco PG200, PG250 Series PMGR Starters; Ford PMGR External Thru Bolt Starters

Replaces: Delco 10497538

(cont'd.)

(cont'd.)

Unit Nos: Delco 9000719, 735, 773, 776, 797; Ford 1W4U-11000-CA, 6S4Z-11002-AA, 96BB-11000-AA; XW4U-11000-AC, -CG; XW4Z-11002-AC, -CG

Lester Nos: 6407, 6431, 6442, 6651, 6652, 6674

Note: Fits 8mm dia. hole



71-1320

Plug - Shift Lever Support

For: Delco PG200, PG250 Series PMGR Starters

Unit Nos: Delco 9000719, 9000735, 9000762, 9000768, 9000773, 9000775, 9000776, 9000789, 9000796, 9000797



71-1321

Grommet - Motor Lead

For: Delco PG200, PG250 Series PMGR Starters

Unit Nos: Delco 9000719, 9000735, 9000762, 9000763, 9000768, 9000773, 9000775, 9000776, 9000789, 9000796, 9000797

Lester Nos: 6407, 6409, 6431, 6442, 6443



71-1323

Drain Tube - Field Case

For: Delco SD200, SD255, SD260 Series DD Starters

Replaces: Delco 10467614

Unit Nos: Delco 10455011, 10455012, 10455013, 10455025, 10455026, 10455042, 10455047, 10455048, 10455050, 10455051, 10455053, 10455054, 10455060, 10455061, 10455064, 10455065, 10455070, 10455076, 10455078, 10455084

STARTER - SMALL PARTS (71-, 72-, 76-, 79-)



71-1324

Plug - Field Case

For: Delco SD205, SD210, SD255, SD260 Series DD Starters

Replaces: Delco 10467744

Unit Nos: Delco 10455010, 10455012, 10455025, 10455026, 10455047, 10455048, 10455051, 10455053, 10455060, 10455061, 10455064, 10455066, 10455067, 10455069, 10455071, 10455072, 10455073, 10455074, 10455076, 10455080, 10455081, 10455084, 24507409, 24507410



71-1325

Plug - Shift Lever Support

For: Delco SD210, SD260 Series DD Starters

Replaces: Delco 10473703

Note: Late style, used in 55-115 shift lever



71-1326

Grommet - Motor Lead

Note: For building SD210, SD260 series DD starters using 5MT field case assys. & armatures.



71-1329

Grommet - Motor Lead

For: Delco PG260F2, PG260M Series PMGR Starters

Note: Used in 69-114 brush holder assy.



71-1330

Plug - Shift Lever Support

For: Delco PG260M Series PMGR Starters



71-1331

Drain Tube - C.E. Frame

For: Delco PG260F2, PG260M Series PMGR Starters

Replaces: Delco 10475584

Unit Nos: Delco 9000786, 9000798, 9000804, 9000806, 9000812, 9000827, 9000834, 9000836, 9000841, 24506694

Note: Fits 10.5mm dia. hole



71-1332

Grommet - Motor Lead

For: Delco SD205, SD255 Series DD Starters

Replaces: Delco 10487540

Note: Similar to 71-1307 except 71-1307 has a hole instead of a slot



71-1334

Plug - Shift Lever Support

For: Delco PG260F1 Series PMGR Starters



71-1335

Plug - Shift Lever Support

For: Delco PG260F2 Series PMGR Starters



71-1339

Plug - Shift Lever Support

For: Delco PG260D Series PMGR Starters

Unit Nos: Daewoo P31100A80D05000; Delco / GM 8000045, 058; 9000856, 868, 901, 908, 933, 939, 951, 977; 10455504, 12563764, 12564089, 12570255, 12575083, 12578050, 12579131, 12587865, 12592294, 12593764; Hitachi S114-900

Lester Nos: 6491, 6493, 6494, 6749



71-1341

Plug - D.E. Mounting Holes

For: Delco 30MT, 35MT Series, External Rotatable DD Starters

Dim: 3/8 Dia.



71-1343

Seal - Stationary Gear

For: Delco 39MT Series PLGR Starters

STARTER - SMALL PARTS (71-, 72-, 76-, 79-)

DELCO (cont'd.)



71-1500
O-Ring

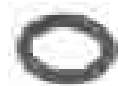
For: Delco 30MT, 35MT, 37MT, 40MT, 41MT, 42MT, 50MT Series DD Starters (Shift Lever Shaft); Nippondenso DD Starters (Stationary Contact)

Replaces: Delco 1894643, 1921805

Dim:

9.2mm ID x 12.6mm OD x 1.8mm W
3/8" ID x 1/2" OD x 1/16" W

Note: Used in 66-8202 solenoid



71-1501
O-Ring

For: Delco 30MT, 35MT Series Internal Rotatable DD Starters (Thru Bolt); Lucas DD, Mitsuba PMOSGR, OSGR Starters (Stationary Contact); Mitsubishi OSGR Starters (Field Coil Terminal Post)

Replaces: Delco 1914593

Dim:

8mm ID x 11.0mm OD x 1.8mm W
5/16" ID x 7/16" OD x 1/16" W

Note: Used in 66-8500, 66-8501, 66-8502, 66-8503, 66-9203, 66-9204, 66-9206 solenoids; 66-85200, 66-85201, 66-92202 cap assys.



71-1503
O-Ring

For: Delco 30MT, 35MT, 37MT, 40MT, 41MT, 42MT Series DD Starters (Lever Hsg., C.E. Frame); Nippondenso 4.0kW, 5.0kW, 7.5kW DD Starters (Field Case)

Replaces: Delco 1916272

Dim:

105mm ID x 112mm OD x 3.5mm W
4-1/8" ID x 4-13/32" OD x 1/8" W



71-1504
O-Ring -Shift Lever

For: Delco 30MT*, 35MT*, 37MT, 40MT, 41MT, 42MT, 50MT Series DD; 28MT Series OSGR; 39MT Series PLGR, PG200, PG250 Series PMGR; SD210, SD260 Series DD Starters

Replaces: Delco 1894642, 1914373

Dim:

6mm ID x 10mm OD x 1.8mm W
1/4" ID x 3/8" OD x 1/16" W

Note: Also used in 66-121 solenoid.

*External rotatable starters.



71-1505
O-Ring - Thermostat

For: Delco 39MT Series PLGR, 42MT Series DD Starters

Replaces: Delco 10496576

Dim:

15.5mm ID x 20.7mm OD x 2.6mm W
5/8" ID x 13/16" OD x 3/32" W



71-1506
O-Ring - Lever Hsg. to Soln.

For: Delco 37MT, 41MT, 42MT Series DD Starters

Replaces: Delco 1985304

Dim:

56.7mm ID x 63.7mm OD x 3.5mm W
2-1/4" ID x 2-1/2" OD x 1/8" W



71-1507
O-Ring - Field Case to C.E. Frame

For: Delco 37MT, 41MT, 42MT Series DD Starters

Replaces: Delco 1985320

Dim:

125mm ID x 130mm OD x 2.5mm W
4-15/16" ID x 5-1/8" OD x 3/32" W



71-1508
O-Ring - D.E. Housing

For: Delco 30MT*, 35MT*, 37MT, 41MT, 42MT Series DD Starters

Replaces: Delco 1851960, 1985960

Dim:

84.5mm ID x 89.7mm OD x 2.5mm W
3-5/16" ID x 3-1/2" OD x 3/32" W

Note: *External rotatable starters



71-1509
O-Ring - Lever Hsg., C.E. Frame

For: Delco 50MT Series DD Starters

Replaces: Delco 1945860

Dim:

114.5mm ID x 121mm OD x 3.5mm W
4-1/2" ID x 4-3/4" OD x 1/8" W



71-1510
O-Ring - C.E. Frame Screw

For: Delco 37MT, 41MT, 42MT Series DD Starters

Dim:

4.7mm ID x 8mm OD x 1.7mm W
3/16" (No. 10) ID x 5/16" OD x 1/16" W



71-1700
Oil Seal - C.S. Frame

For: Delco 10MT, 20MT, 22MT, 25MT, 27MT, SD300 Series, Wet Clutch DD Starters

Replaces: Delco 1937310

Dim:

32mm OD x 6.5mm W
1-1/4" OD x 1/4" W
Fits 18.9mm (0.745") Dia. Shaft

Note: Used in 53-101 C.S. frame

STARTER - SMALL PARTS (71-, 72-, 76-, 79-)



71-1701

Oil Seal - Lever Housing

For: Delco 40MT, 42MT, 50MT Series DD Starters

Replaces: Delco 1918047

Dim:

35mm OD x 9.5mm W

1-3/8" OD x 3/8" W

Fits 20.9mm (0.823") Dia. Shaft



71-1702

Oil Seal - Lever Housing

For: Delco 37MT, 41MT Series DD Starters

Replaces: Delco 1937718

Dim:

35mm OD x 6.5mm W

1-3/8" OD x 1/4" W

Fits 22.5mm (0.878") Dia. Shaft



71-1703

Oil Seal - Lever Housing

For: Delco 30MT, 35MT Series DD Starters

Replaces: Delco 1867150

Dim:

35mm OD x 6.5mm W

1-3/8 OD x 1/4 W

Fits 18.9mm (0.745") Dia. Shaft



71-82502

O-Ring - Brush Holder Screw

For: Delco 28MT Series OSGR, 39MT Series PLGR; Nippondenso 4.0kW DD Starters

Dim:

5mm ID x 8mm OD x 1.8mm W

3/16" ID x 5/16" OD x 1/16" W



71-84100

Gasket - C.S. Frame

For: Delco 28MT Series OSGR Starters

Dim:

79mm ID x 84mm OD x 2.1mm W

3-1/8" ID x 3-3/8" x 3/32" W



71-84101

Plug - D.E. Housing

For: Delco 28MT Series, Dry Clutch OSGR Starters

Unit Nos: Delco 1113271, 1113273, 1113274, 1113275, 1113276, 1113277, 1113280, 1113281, 1113284, 1113286, 1113287, 1113289, 1113295, 1113296, 1113297, 10479600, 10479604, 10479605, 10479606, 10479607, 10479608, 10479611, 10479612, 10479614, 10479615, 10479618, 10479619, 10479620, 10479628, 10479629, 10479630

Lester Nos: 6468, 6469, 6573, 6585, 6595, 6601



71-84102

Seal - D.E. Housing

For: Delco 28MT Series, Wet Clutch OSGR Starters

Unit Nos: Delco 1113272, 1113285, 1113288, 1113290, 1113291, 1113292, 10479613, 10479616, 10479617



71-84300

Grommet - Field Coil Term.

For: Delco 28MT Series OSGR Starters

Note: Used in 79-84500 Field Coil Terminal Kit



71-84500

O-Ring - C.E. Frame

For: Delco 28MT Series OSGR Starters

Replaces: Delco 10456474

Dim:

82mm ID x 85.6mm OD x 1.8mm W

3-7/32" ID x 3-3/8" OD x 1/16" W



71-84700

Oil Seal - Drive Shaft Frame

For: Delco 28MT Series, Wet Clutch OSGR Starters

Unit Nos: Delco 1113272, 1113283, 1113285, 1113288, 1113290, 1113291, 1113292, 10479613, 10479616, 10479617, 10479630

Lester Nos: 6577

Dim:

35.2mm OD x 6mm W

Fits 25mm Dia. Shaft



72-1101

Insulator - Field Coil

For: Delco 30MT, 35MT, 37MT, 40MT, 41MT, 42MT, 50MT Series DD Starters

Replaces: Delco 1914873

Dim:

38mm W x 76mm L

1-1/2" W x 3" L

STARTER - SMALL PARTS (71-, 72-, 76-, 79-)

DELCO (cont'd.)



72-1102

Insulator - Field Coil

For: Delco 40MT Series DD Starters

Replaces: Delco 1955990

Dim:

89mm W x 311mm L

3-1/2" W x 12-1/4" L



72-1104

Insulator - Field Coil Term.

For: Delco 35MT, 40MT, 50MT Series DD Starters

Replaces: Delco 1965472 (set#)

Dim: 12.5mm (1/2") ID



72-1105

Insulator - Field Coil

For: Delco 37MT, 41MT, 42MT Series DD Starters

Replaces: Delco 1988100

Dim:

38mm W x 343mm L x .2mm T

1-1/2" W x 13-1/2" L x .009" T



72-1106

Insulator - C.E. Term. (Int.)

For: Delco 37MT, 41MT, 42MT Series DD Starters

Replaces: Delco 1988125

Dim: 12.5mm (1/2") Square Hole



72-1107

Insulator - C.E. Term. (Ext.)

For: Delco 37MT, 41MT, 42MT Series DD Starters

Replaces: Delco 1988099

Dim:

12.5mm ID x 30mm OD

1/2" ID x 1-3/16" OD



72-1108

Insulator - C.E. Term. (Int.)

For: Delco 37MT, 41MT, 42MT Series DD Starters

Replaces: Delco 10495188

Dim:

12.5mm ID x 17.5mm OD

1/2" ID x 11/16" OD



72-1109

Insulator - Field Coil

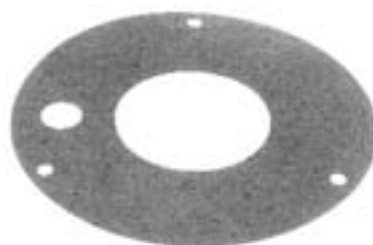
For: Delco 50MT Series DD Starters

Replaces: Delco 1955989

Dim:

80mm W x 355.5mm L

3.15" W x 14" L



72-1110

Insulator - Brush Plate

For: Delco 50MT Series DD Starters

Replaces: Delco 1964516

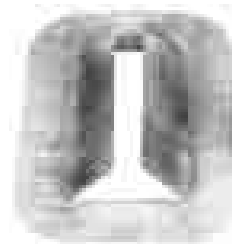


72-1111

Insulator - C.E. Frame

For: Delco 20MT, 25MT Series DD Starters

Replaces: Delco 1975127



72-1112

Insulator - Field Coil Repair

For: Delco 10MT, SD300 Series Hi-Torque DD Starters

Note: Used w/ 59-112-3 field coil.

Aftermarket insulator designed for salvaging field coils w/ torn insulation.

Features:

- Inserts between field coil & field case
- Center tabs insulate field coil from field case and pole shoe

STARTER - SMALL PARTS (71-, 72-, 76-, 79-)



72-1400

Insulator - Field Coil Term.

For: Delco 37MT, 41MT, 42MT Series DD Starters

Replaces: Delco 1988339

Dim: 12.5mm (1/2") ID



72-1401

Insulator - Terminal Stud

For: Delco 40MT, 50MT Series DD Starters

Replaces: Delco 1944836; 1851632 (set#)

Dim: 12.5mm (1/2") ID

Note: Used in 66-1200, 66-1201 terminal plate assys.



72-1404

Insulator - Field Coil Term.

For: Delco 30MT, 35MT Series DD Starters

Replaces: Delco 1931783

Dim: 9.5mm (3/8") ID



72-84101

Insulator - Field Coil

For: Delco 28MT Series OSGR Starters

Dim: 34mm W x 262mm L



76-1110

Brush Cover Plate

For: Delco 40MT Series DD Starters

Replaces: Delco 1948513



76-1111

Clamp - Solenoid

For: Delco SD210, SD260 Series DD Starters

Replaces: Delco 10470161



76-1112

Cover - C.E. Frame

For: Delco PG260M Series PMGR Starters



76-1113

Cover - Planetary Shaft Assy.

For: Delco PG260M Series PMGR Starters

Dim: 16.5mm ID x 70.5mm OD



76-1115

Cover - Planetary Shaft Assy.

For: Delco PG150S, PG260F1 Series PMGR Starters

Dim: 20mm ID x 69mm OD



76-1116

Cover - Planetary Shaft Assy.

For: Delco PG260F2, PG260L Series PMGR Starters

Dim: 18mm ID x 74.5mm OD



76-1117

Cover - Planetary Shaft Assy.

For: Delco PG260D Series PMGR Starters

Unit Nos: Delco 8000045, 8000058, 9000856, 9000868, 9000901, 9000908, 9000933, 9000939, 9000951, 9000977, 10455504

Lester Nos: 6491, 6493, 6494, 6749

Dim: 14.5mm ID x 64mm OD

STARTER - SMALL PARTS (71-, 72-, 76-, 79-)

DELCO (cont'd.)



76-1118

Cover - Planetary Shaft Assy.

For: Delco PG260G Series PMGR Starters

Unit Nos: Delco 8000059, 9000871, 9000872, 9000873, 9000884, 9000910, 9000925, 9000964, 9000973

Lester Nos: 6484, 6485, 6489, 6792

Dim: 18mm ID x 73mm OD



76-1119

Cover - C.E. Frame

For: Delco PG260D Series PMGR Starters



76-1200

Reducing Bushing

For: Delco 37MT, 40MT, 41MT, 42MT Series DD Starters

Note: For reducing D.E. housing mounting holes from 5/8" dia. to 1/2" dia.



76-1251

Connector - Field Coil to Solenoid

For: Delco 20MT, 22MT, 25MT, 27MT Series DD Starters

Replaces: Delco 1876358, 1978136



76-1251-1

Connector - Field Coil to Solenoid

Same as 76-1251 except...

Features:

- Attached 10-32 steel hex nut for easier installation
- Provides twice the number of threads to prevent stripping



76-1252

Connector - Field Coil to Solenoid

For: Delco 30MT Series Internal Rotatable DD Starters

Replaces: Delco 1942249



76-1253

Connector - Field Coil to Solenoid

For: Delco 35MT Internal Rotatable DD Starters

Replaces: Delco 1946394



76-1254

Connector - Field Coil to Solenoid

For: Delco 40MT Series DD Starters

Replaces: Delco 1945468

Dim: 3mm (.120") T



76-1254-1

Connector - Field Coil to Solenoid

Same as 76-1254 except...

Features:

- Heavy duty version of 76-1254, made with heavier gauge copper



76-1255

Connector - Field Coil to Solenoid

For: Delco 42MT Series DD Starters

Replaces: Delco 1988134, 10476198, 10498663



76-1256

Connector - Field Coil to Solenoid

For: Delco 50MT Series DD Starters

Replaces: Delco 1945862



76-1257

Retainer - Field Coil to Solenoid

For: Delco 37MT Series, 12V DD Starters

Replaces: Delco 1987678

Dim: 9.5mm (3/8") ID

STARTER - SMALL PARTS (71-, 72-, 76-, 79-)



76-1260

Connector - Field Coil to Solenoid

For: Delco 37MT Series, 24V DD Starters

Replaces: Delco 10495763

Note: For starters w/ 1/2-13 solenoid motor terminal



76-1261

Connector - Brush Holder

For: Delco 42MT Series DD Starters

Note: For attaching early field coils w/ straight terminal leads to late style brush holder



76-1262

Connector - Field Coil to Solenoid

For: Delco 37MT, 41MT Series, 12-24V DD Starters

Replaces: Delco 10468109

Note: For starters w/ 1/4-20 internal thread solenoid motor terminal



76-1264

Connector - Field Coil to Solenoid

For: Delco 42MT Series DD Starters w/ Semi-solid Link Solenoids

Note: Connector from motor terminal on semi-solid link solenoids to field coil terminal.



76-1303

Retainer - Field Coil

For: Delco 5MT, SD200 Series DD Starters

Dim: 60mm (2.35") L



76-1304

Clip - Shift Lever Pin

For: Delco 30MT, 35MT Series Internal Rotatable DD Starters

Replaces: Delco 1938376



76-1305

Mounting Shim

For: Delco 5MT, 10MT, SD200, SD210, SD260, SD300 Series DD Starters

Replaces: Delco 10008053

Dim: .4mm (.015") T

Note: For 2mm thick shim use 76-1310. For shim kit use 79-1157.



76-1306

Cover - Planetary Shaft Assy.

For: Delco PG200, PG250 Series PMGR Starters

Replaces: Delco 10469185

Unit Nos: Delco 9000719, 9000735, 9000762, 9000763, 9000768, 9000773, 9000775, 9000776, 9000789, 9000796, 9000797



76-1307

Retainer - Field Coil

For: Delco 5MT, SD205, SD210, SD250, SD255, SD260 Series DD Starters

Replaces: Delco 10495892

Dim: 65.5mm (2.58") L



76-1308

Shield - D.E. Housing

For: Delco SD210, SD260 Series DD Starters

Replaces: Delco 10467629

Unit Nos: Delco 10455011, 012, 013, 042, 050, 054, 070, 078

Lester Nos: 6416, 6418, 6419

Note: Used in 51-110-3, 51-123-3, 51-170-3 D.E. housings



76-1309

Mounting Shim

For: Delco 5MT, 10MT, SD200, SD210, SD260, SD300 Series DD Starters

Replaces: AMC 8953000763;

Chrysler 53000762; Delco 14057993

Dim: 1.0mm (.040") T



76-1310

Mounting Shim

For: Delco 5MT, 10MT, SD210, SD250, SD260, SD300 Series DD Starters

Dim: 2.0mm (.079") T

Note: For .4mm thick shim use 76-1305

STARTER - SMALL PARTS (71-, 72-, 76-, 79-)

DELCO (cont'd.)



76-1311
Mounting Shim

For: Delco 5MT, 10MT, SD200, SD210, SD260, SD300 Series DD Starters

Replaces: Chrysler 53000762

Dim: 2.0mm (.079") T



76-1312
Pivot Pad - Shift Lever

For: Delco PG260F1, PG260F2 Series PMGR Starters



76-1550
Terminal - Field Coil

For: Delco 37MT, 41MT, 42MT Series DD Starters

Dim: 1/4-20 Internal Threads



76-1571
Ground Terminal - Field Case

For: Delco 37MT, 41MT Series DD Starters

Replaces: Delco 1986243, 10469631

Dim: 3/8-24 x 9/16 L Int.,
1/2-13 x 1-1/16 L Ext.



76-1594
Terminal - Field Coil
6 Volt

For: Delco Early DD Starters

Replaces: Delco 826938, Ref# S-864

Dim: 3/8-16 x 1-3/8 Copper Field Terminal



76-1600-1
Ground Lead

For: Delco 5MT, SD200, SD250 Series DD Starters

Dim: 4.5mm Eyelet Dia. x 51mm L
No. 8 Eyelet Dia. x 2" L

Note: With squared-off eyelet terminals



76-1601
Ground Lead

For: Delco 10MT, SD300 Series DD Starters

Replaces: Delco 1926605, 1960864

Dim: 4.5mm, 5mm Eyelet Dia. x 51mm L
No. 8, No. 10 Eyelet Dia. x 2" L



76-1602
Ground Lead

For: Delco 20MT, 22MT, 25MT, 27MT, 30MT, 35MT Series DD; 15GR Series OSGR Starters

Replaces: Delco 1876361, 1892160, 1930694, 1987254

Dim: 4.5mm, 5mm Eyelet Dia. x 51mm L
No. 8, No. 10 Eyelet Dia. x 2" L

Note: 8 gauge stranded copper wire



76-1604
Wire Lead - C.E. Term. to Soln.

For: Delco 37MT, 40MT, 41MT, 42MT, 50MT Series DD Starters

Replaces: Delco 1953236, 10497104, 10497105

Dim: 260mm L



76-1605
C.E. Terminal Assy.

For: Delco 37MT, 41MT, 42MT Series DD Starters

Replaces: Delco 1988128, 1988129, 10467116, 10468894, 10468895, 10470141, 10498209

Note: Late style w/ angled terminals. Will replace early style w/ straight terminals.



76-1607
Repair Lead - Field Coil

For: Delco 5MT, SD200, SD250 Series DD Starters

Dim: 165mm (6-1/2") L

Note: With clip.

For version wo/ clip use 76-1607-1.



76-1607-1
Repair Lead - Field Coil

Same as 76-1607 except...

Note: Without clip.

For version w/ clip use 76-1607.



76-1608
Repair Lead - Field Coil

For: Delco 5MT, SD200, SD250 Series DD Starters

Dim: 70mm (2-3/4") L

STARTER - SMALL PARTS (71-, 72-, 76-, 79-)



76-1608-1

Repair Lead - Field Coil

Same as 76-1608 except...

Dim: 51mm (2") OAL



76-1609

Repair Lead - Field Coil

For: Delco 20MT, 22MT, 25MT, 27MT Series DD Starters

Dim: 203mm (8") L

Note: With clip



76-1612

Repair Lead - Field Coil

For: Delco 10MT, SD300 Series DD Starters

Dim: 183mm (7-7/32") L

Note: With clip. For 'high torque' applications only.



76-1616

Repair Lead - Field Coil

For: Delco SD210, SD260 Series DD Starters

Note: For 59-146 field coil



76-1617

Conversion Lead - Field Coil

Note: For building SD210, SD260 series DD starters using 5MT field case assys. & armatures. Used with 71-1326 Grommet.



76-1622

Repair Lead - Field Coil

For: Delco 10MT, SD300 Series DD Starters

Dim: 203mm (8") L

Note: With clip.

Replaces field coil brush leads used on 'low torque' applications only.

For 'high torque' applications use 76-1612.



76-1625

Repair Lead - Field Coil

For: Delco 10MT, SD300 Series DD Starters

Note: Replaces field coil motor lead used on 'high torque' applications



76-1702

Spring - Pinion Gear

For: Delco 38MT, 39MT Series PLGR Starters

Dim: 23mm OD x 15mm OAL



76-1703

Spring - Shift Lever Return

For: Delco 38MT, 39MT Series PLGR Starters

Replaces: Delco 10511667

Dim: 2mm Wire Dia. x 20mm OD x 20mm L



76-1800

Stop Collar

For: Delco 5MT, 8MT, 10MT, SD200, SD205, SD210, SD250, SD255, SD260, SD300 Series DD; PG100, PG150, PG200, PG250, PG260D, PG260F1, PG260F2, PG260G, PG260L, PG260M Series PMGR; Mitsubishi PMGR Starters

Replaces: Delco 1927849

Dim: 12mm ID x 17.3mm OD x 4.3mm W

Note: Used w/ 76-1801 retaining ring

76-1800-1

Stop Collar

Same as 76-1800 except...

Features:

- Mfd. by OE Supplier



76-1801

Retaining Ring

For: Delco 5MT, 8MT, 10MT, SD200, SD205, SD210, SD250, SD255, SD260, SD300 Series DD; PG100, PG150, PG200, PG250, PG260D, PG260F1, PG260F2, PG260G, PG260L, PG260M Series PMGR; Mitsubishi PMGR Starters

Replaces: Delco 1927848

Dim: 1.6mm Wire Dia.

Note: Used w/ 76-1800 stop collar



76-1802

Thrust Collar

For: Delco 5MT, 8MT, 10MT, SD200, SD300 Series DD Starters

Replaces: Delco 1927850, 1941067

Dim: 12.16mm ID x 17.5mm OD

Note: Used w/ 76-1800 stop collar,

76-1801 retaining ring.

Similar to 76-1855 except 76-1855 has 19mm OD.

STARTER - SMALL PARTS (71-, 72-, 76-, 79-)

DELCO (cont'd.)



76-1803
Planetary Gear

For: Delco PG150S, PG260F1 Series PMGR Starters
Unit Nos: Delco 9000833, 9000839, 9000840, 9000847, 9000859, 21020761
Lester Nos: 6445, 6481
Dim: 17-Teeth, 18.5mm Gear OD
Components: 62-1201 Bushing



76-1804
Retaining Ring

For: Delco 10MT, 15GR, 20MT, 22MT, 25MT, 27MT, 30MT, 35MT, SD300 Series DD Starters
Replaces: Delco 1928022
Dim: 1.7mm Wire Dia.
Note: Used w/ 76-1805 or 76-1807 stop collar



76-1805
Stop Collar

For: Delco 10MT, 15GR, 20MT, 22MT, 25MT, 27MT, 30MT, 35MT, SD300 Series DD Starters
Replaces: Delco 1928021
Dim: 14.3mm ID x 20mm OD x 4mm W
 9/16" ID x 3/4" OD x 5/32" W
Note: Used w/ 76-1804 retaining ring



76-1806
Stationary Gear

For: Delco PG150S, PG260F1* Series PMGR Starters
 (cont'd.)

(cont'd.)

Unit Nos: Delco 9000794, 9000833, 9000837, 9000839, 9000840, 9000847, 21020761

Lester Nos: 6445, 6481

Dim: 50-Teeth, 48mm Gear ID

Note: *1st production PG260F1 design: 76-1806 stationary gear should be used with 71-1305 seal.

Components: 62-1804 Bushing



76-1807
Stop Collar

For: Delco 30MT, 35MT Series DD Starters

Replaces: Delco 1851546

Dim:

14.3mm ID x 22.4mm OD x 4.2mm W
 9/16" ID x 7/8" OD x 5/32" W

Note: Used w/ 76-1804 retaining ring



76-1809
Stop Collar

For: Delco 37MT Series DD Starters

Replaces: Delco 1985982

Dim:

14.3mm ID x 27mm OD x 4.5mm W
 9/16" ID x 1-1/16" OD x 3/16" W

Note: Used w/ 76-1810 retaining ring



76-1810
Retaining Ring

For: Delco 37MT Series DD Starters

Replaces: Delco 1986928

Dim: 2mm Wire Dia.

Note: Used w/ 76-1809 stop collar



76-1825
Plug - Oil Reservoir

For: Delco 37MT, 41MT, 42MT Series DD Starters

Replaces: Delco 1985246

Dim: 14.5mm (9/16") OD



76-1826
Oil Wick

For: Delco 37MT (C.E., D.E., L.H.); 41MT (D.E., L.H.), 42MT (L.H.) Series DD Starters

Replaces: Delco 1985247

Dim:

10.5mm OD x 56mm L
 7/16" OD x 2-1/4" L



76-1827
Thermostat

For: Delco 37MT, 41MT, 42MT Series DD Starters; 39MT Series PLGR Starters

Replaces: Delco 10468899, 10498158

Note: Used w/ 84-8906 retaining ring included in 79-1115 thermostat kit

Features:

- O-ring installed



76-1831
Oil Wick

For: Delco 10MT, 20MT, 22MT, 25MT, 27MT, SD300 (D.E.); 30MT, 35MT, 40MT, 50MT (C.E., D.E., L.H.) Series DD Starters

Replaces: Delco 1916439, 1920400, 1986466

Dim:

8mm OD x 61mm L
 5/16" OD x 2-3/8" L



76-1833
Oil Wick

For: Delco 40MT, 50MT Series DD Starters

Replaces: Delco 1955303

Dim:

23mm OD x 8mm T
 15/16" OD x 5/16" T

STARTER - SMALL PARTS (71-, 72-, 76-, 79-)



76-1834
Oil Wick

For: Delco 37MT, 41MT (C.E.); 42MT (C.E., D.E.); 40MT, 50MT (D.E., L.H.) Series DD Starters
Replaces: Delco 1978754, 1988138
Dim:
13mm OD x 56mm L
1/2" OD x 2-1/4" L



76-1835
Oil Wick

For: Delco 40MT, 50MT Series DD Starters (C.E.)
Replaces: Delco 1972977
Dim:
13mm OD x 48.5mm L
1/2" OD x 1-15/16" L



76-1836
Oil Wick

For: Delco 30MT, 35MT Series Internal Rotatable DD Starters (L.H.)
Replaces: Delco 1947350
Dim:
6.5mm OD x 45mm L
1/4" OD x 1-3/4" L



76-1837
End Fiber - Armature

For: Delco 35MT Series DD Starters
Replaces: Ref# EPS-8



76-1838

Plug - Oil Reservoir

For: Delco 40MT, 42MT, 50MT Series DD Starters
Replaces: Delco 1978756
Dim: 16mm (5/8") OD



76-1839

Expansion Plug

For: Delco 40MT, 50MT Series DD Starters
Replaces: Delco 103893, 9417501
Dim: 26mm (1-1/32") Dia.



76-1841

Expansion Plug

For: Delco 10MT, SD300 (D.E.); 30MT*, 35MT* (L.H.) Series DD; Mitsubishi OSGR (Pinion Gear) Starters
Replaces: Delco 9419572
Dim: 16mm (5/8") Dia.
Note: *Internal rotatable starters



76-1843

Expansion Plug

For: Delco 30MT, 35MT Series Internal Rotatable DD Starters (L.H.)
Replaces: Delco 9411375
Dim: 30mm (1-3/16") Dia.



76-1844

Inspection Plug

For: Delco 30MT*, 35MT*, 37MT, 40MT, 41MT, 42MT, 50MT Series DD Starters
Replaces: Delco 1945356
Note: Used w/ 71-1104 gasket.
*External rotatable starters.



76-1846

Thermostat

For: Delco 40MT Series DD Starters



76-1848

Thrust Collar

For: Delco 20MT, 22MT, 25MT, 27MT Series DD Starters
Replaces: Delco 1964410
Dim:
12.5mm ID x 19mm OD
1/2" ID x 3/4" OD
Note: Used w/ 76-1804 retaining ring, 76-1805 stop collar



76-1851

Thrust Collar

For: Delco PG200, PG250 Series PMGR Starters
Dim:
12mm ID x 20mm OD
15/32" ID x 3/4" OD
Note: Used w/ 76-1800 stop collar, 76-1801 retaining ring



76-1855

Thrust Collar

For: Delco 5MT*, 10MT, SD200, SD205, SD210, SD250, SD255, SD260, SD300 Series DD; PG100, PG150, PG260F1, PG260F2, PG260M PMGR Starters
Replaces: Delco 10495828, 10495897
Dim:
12mm ID x 19mm OD
15/32" ID x 3/4" OD
Note: *5MT starters w/ needle bearings. Used w/ 76-1800 stop collar, 76-1801 retaining ring. Similar to 76-1802 except 76-1802 has 17.5mm OD.

STARTER - SMALL PARTS (71-, 72-, 76-, 79-)

DELCO (cont'd.)



76-1859

Expansion Plug

For: Delco 28MT Series OSGR Starters (D.E.)

Dim: 19mm (3/4") Dia.



76-1861

Stationary Gear

For: Delco PG100 Series PMGR Starters

Unit Nos: Delco 9000751, 9000758, 21020892, 21021648

Lester Nos: 6401, 6432

Dim: 64-Teeth, 47mm Gear ID, Plastic



76-1862

Stationary Gear

For: Delco PG150 Series PMGR Starters

Unit Nos: Delco 9000785, 21020893, 21021366

Lester Nos: 6401, 6433

Dim: 50-Teeth, 48mm Gear ID, Plastic



76-1863

Stationary Gear

For: Delco PG260M Series PMGR Starters

Unit Nos: Delco 9000786, 9000798, 9000804, 9000805, 9000806, 9000812, 9000819, 9000820, 9000821, 9000822, 9000827, 9000834, 9000835, 9000844, 9000850, 9000851, 9000853, 9000860, 9000861, 9000862, 9000863, 9000864, 9000865, 9000866, 9000867, 9000899, 9000900

Lester Nos: 6449, 6452, 6470, 6471, 6472, 6480, 6482, 6486, 6487, 6492, 6560, 6561, 6562, 6563

Dim: 48-Teeth, 46mm Gear ID

Components:

62-1803 Bushing



76-1864

Planetary Gear

For: Delco PG260M Series PMGR Starters

Replaces: Delco 10475578

Unit Nos: Delco 9000786, 9000798, 9000804, 9000805, 9000806, 9000812, 9000819, 9000820, 9000821, 9000822, 9000827, 9000834, 9000835, 9000844, 9000850, 9000851, 9000853, 9000860, 9000861, 9000862, 9000863, 9000864, 9000865, 9000866, 9000867, 9000899, 9000900

Lester Nos: 6449, 6452, 6470, 6471, 6472, 6480, 6482, 6486, 6487

Dim: 18-Teeth, 19.5mm Gear OD

Components:

62-1200 Bushing



76-1865-1

Planetary Shaft

For: Delco PG260M Series PMGR Starters

Used On: (2001-94) Buick, Cadillac, Chevrolet, Chevrolet Truck, GMC, GMC Truck, Isuzu, Mercury Marine, Oldsmobile, Pontiac, Saturn

Unit Nos: Delco 9000786, 798, 804, 805, 806, 812, 819, 820, 821, 822, 827, 834, 835, 844, 850, 851, 853, 860, 861, 862, 863, 864, 865, 866, 867, 899, 900; 12560019, 3829, 3830, 3852, 3879, 3907, 3970, 4088; 12570230, 12570256, 15052338

Lester Nos: 6449, 6452, 6470, 6471, 6472, 6480, 6482, 6486, 6487, 6492, 6560, 6561, 6562, 6563

Dim: 12-Spline Shaft, 125mm OAL

Components:

62-1303 Bushing

Features:

- Best Value



76-1867

Plug - Thermostat Hole

For: Delco 37MT, 41MT, 42MT Series DD Starters

Dim: 21mm OD

Note: Plugs thermostat hole in C.E. frame when not being used



76-1874-1

Planetary Gear

For: Delco PG260F2, PG260G, PG260L Series PMGR Starters

Unit Nos: Delco 8000052, 059, 061; 9000836, 841, 854, 857, 858, 871, 872, 873, 874, 875, 876, 878, 879, 880, 881, 882, 884, 885, 888, 895, 896, 904, 910, 925, 926, 927, 931, 962, 964, 966, 973, 979; 24506694

Lester Nos: 6449, 6471, 6472, 6480, 6482, 6484, 6485, 6489, 6490, 6492, 6792

Dim: 16-Teeth, 20.5mm Gear OD

Features:

- Best Value



76-1875
Planetary Shaft

For: Delco PG260F2, PG260G, PG260L Series PMGR Starters

Used On: (2005-97) AM General, Buick, Cadillac, Chevrolet, GMC, Isuzu, Oldsmobile, Pontiac

Replaces: Delco 10492410

Unit Nos: Delco 8000052, 059, 061; 9000836, 841, 854, 857, 858, 871, 872, 873, 874, 875, 876, 878, 879, 880, 881, 882, 884, 885, 895, 896, 904, 910, 925, 926, 927, 931, 962, 964, 966, 973, 979; 24506694,

Lester Nos: 6449, 6471, 6472, 6480, 6482, 6484, 6485, 6489, 6490, 6492, 6792

Dim: 12-Spline Shaft, 110mm OAL

Components:
62-1307 Bushing



76-1876-1
Stationary Gear

For: Delco PG260F2, PG260G, PG260L Series PMGR Starters

Used On: (2005-97) AM General, Buick, Cadillac, Chevrolet, GMC, Isuzu, Oldsmobile, Pontiac

Unit Nos: Delco 8000052, 059, 061; 9000836, 841, 854, 857, 858, 871, 872, 873, 874, 875, 876, 878, 879, 880, 881, 882, 884, 885, 895, 896, 904, 910, 925, 926, 927, 931, 962, 964, 966, 973, 979; 12563176, 718, 719, 828, 863, 880, 908, 916, 919; 12564107, 108, 109, 110, 111; 12567398; 12570823, 12571039; 12572141, 715, 716; 12573852, 853; 12574145, 832, 859; 12583114, 115; 12584048, 12586040, 12588785, 12592295; 12593688, 763; 15749578, 24506694

Lester Nos: 6449, 6471, 6472, 6480, 6482, 6484, 6485, 6489, 6490, 6492, 6792

Dim: 43-Teeth, 49mm Gear ID

Features:
• Best Value



76-1881
Planetary Gear

For: Delco PG260D Series PMGR Starters

Used On: (2005-01) Buick, Cadillac, Chevrolet, GMC, Isuzu, Nissan, Oldsmobile, Pontiac, Saab, Saturn

Unit Nos: Delco 8000045, 8000058, 9000856, 9000868, 9000901, 9000908, 9000933, 9000939, 9000951, 9000977, 12563764, 12564089, 12570255, 12575083, 12578050, 12579131, 12587865, 12592294, 12593764, 89017523

Lester Nos: 6491, 6493, 6494, 6749

Dim: 20-Teeth, 22mm Gear OD

Note: Late style bushing design



76-1882
Stationary Gear

For: Delco PG260D Series PMGR Starters

Used On: (2005-01) Buick, Cadillac, Chevrolet, GMC, Isuzu, Nissan, Oldsmobile, Pontiac, Saab, Saturn

Unit Nos: Delco 8000045, 8000058, 9000856, 9000868, 9000901, 9000908, 9000933, 9000939, 9000951, 9000977, 12563764, 12564089, 12570255, 12575083, 12578050, 12579131, 12587865, 12592294, 12593764, 89017523

Lester Nos: 6491, 6493, 6494, 6749

Dim: 50-Teeth, 48mm Gear ID

Components:
62-1806 Bushing



76-1883
Planetary Shaft

For: Delco PG260D Series PMGR Starters

Used On: (2005-01) Buick, Cadillac, Chevrolet, GMC, Isuzu, Nissan, Oldsmobile, Pontiac, Saab, Saturn

Unit Nos: Delco 8000045, 058; 9000856, 868, 901, 908, 933, 939, 951, 977; 10455504

Lester Nos: 6491, 6493, 6494, 6749

Dim: 12-Spline Shaft, 108mm OAL

Components:
62-1204 Bushing



76-1889
Stop Collar

For: Delco 38MT, 39MT Series PLGR Starters

Dim: 18.1mm ID x 24.5mm OD x 5.8mm W



76-1890
Planetary Gear

For: Delco 38MT, 39MT Series PLGR Starters

Dim: 14-Teeth, 24mm Gear OD

Components:
8-130 Needle Bearing

STARTER - SMALL PARTS (71-, 72-, 76-, 79-)

DELCO (cont'd.)



76-1891
Retaining Ring

For: Delco 38MT, 39MT Series PLGR Starters

Replaces: Delco 10511746

Note: Used w/ 76-1889 stop collar



76-1954
Pipe Plug - Oil Reservoir

For: Delco 10MT, 20MT, 22MT, 25MT, 26SI, 27MT, 30MT, 35MT, 40MT, 50MT, SD300 Series DD Starters

Replaces: Delco 453465, 10040001, 10476561

Dim: 1/8-27 NPT



76-2116
Cover Band

For: Delco Early 6V Starters

Replaces: Delco 817114, Ref# B-4

Note: Snap-on type



76-2116-1
Cover Band

For: Delco Early 6V Starters

Replaces: Delco 817114, Ref# B-4

Note: Snap-on type



76-84300
Plate - D.E. Housing

For: Delco 28MT Series OSGR Starters

Note: Used w/ 71-84101 seal for dry clutch starters



76-84550
Terminal Post - Field Coil

For: Delco 28MT Series OSGR Starters

Dim: M8 x 1.25 x 25mm L

Note: Included in 79-84500 terminal kit



76-84800
Drive Shaft

For: Delco 28MT Series OSGR Starters

Replaces: Delco 10457032

Unit Nos: Delco 1113271, 1113272, 1113273, 1113274, 1113275, 1113276, 1113277, 1113278, 1113279, 1113280, 1113281, 1113282, 1113283, 1113284, 1113285, 1113286, 1113288, 1113289, 1113290, 1113291, 1113292, 1113297, 10479600, 10479604, 10479605, 10479606, 10479607, 10479608, 10479612, 10479613, 10479614, 10479615, 10479616, 10479617, 10479618, 10479620, 10479628, 10479629, 10479630

Lester Nos: 6573, 6577, 6585, 6595, 6601

Dim: 14mm Dia. Shaft x 172mm L



76-84802
Drive Shaft

For: Delco 28MT Series OSGR Starters

Replaces: Delco 10456468

Unit Nos: Delco 1113269, 1113270, 1113295, 1113296, 10479611

Lester Nos: 6468, 6469

Dim: 14mm Dia. Shaft x 165mm L



76-84804
Stop Collar

For: Delco 28MT Series OSGR Starters

Replaces: Delco 10457034

Dim: 13mm ID x 20mm OD x 6.4mm W

Note: Used w/ 13mm dia. drive shaft, requires 76-84805 1-piece retaining ring



76-84805
Retaining Ring

For: Delco 28MT Series OSGR Starters

Unit Nos: Delco 1113287, 10479619

Dim: 1.8mm Wire Dia.

Note: Used w/ 76-84804 stop collar on 13mm dia. drive shaft



76-84806
Stop Collar

For: Delco 28MT Series OSGR Starters

Replaces: Delco 10456465

Lester Nos: 6468, 6469, 6573, 6577, 6585, 6595, 6601

Dim: 14mm ID x 20mm OD x 6.5mm W

Note: Used w/ 14mm dia. drive shaft, requires 76-84807 1-piece retaining ring



76-84807
Retaining Ring

For: Delco 28MT Series OSGR Starters

Replaces: Delco 10456475

Dim: 2mm Wire Dia.

Note: Used w/ 76-84806 stop collar on 14mm dia. drive shaft



76-84808
Pin - Drive Shaft

For: Delco 28MT Series OSGR Starters

Dim: 10.3mm OD x 12.8mm L

Note: Used in 76-84800, 76-84802 drive shaft. Can be used to replace metal or plastic pins.

STARTER - SMALL PARTS (71-, 72-, 76-, 79-)



79-1110

Repair Kit

12 Volt, 8-Brush Design

For: Delco 40MT Series DD Starters

Note: For 4-brush, 12 volt repair kit use 79-1112.

For additional hardware kit use 79-1135.

For shift lever kit use 79-1138.

Components:

62-1503 Bushing, C.E.
 62-1600 Bushing, D.E.
 62-1800 Bushing, Lever Hsg.
 68-108 Brush
 69-1704 Brush Spring
 71-1103 Gasket, D.E. Hsg. to Lever Hsg.
 71-1104 Gasket, Inspection Plug
 71-1105 Gasket, Brush Cover Plate
 71-1106 Gasket, Expansion Plug
 71-1306 Soln. Plunger Boot
 71-1309 Insulator, C.E. Term.
 71-1310 Grommet, F.C. Term.
 71-1500 O-Ring 3/8 ID x 1/2 OD
 71-1503 O-Ring 4-1/8 ID x 4-13/32 OD
 71-1504 O-Ring 1/4 ID x 3/8 OD
 71-1701 Oil Seal, Lever Hsg.
 72-1101 Insulator, Field Coil
 72-1102 Insulator, Field Coil
 72-1104 Insulator, F.C. Term.
 72-1401 Insulator, C.E. Term.
 76-1831 Oil Wick
 76-1833 Oil Wick
 76-1839 Expansion Plug
 76-1954 Pipe Plug
 84-1207 Screw 8-32 x 1/2 L
 84-2409 Hex Nut, Nylon Lock 5/16-24
 84-2602 Hex Nut 1/2-13 x 5/16 T
 84-2603 Hex Nut 1/2-13 x 7/16 T
 84-4600 Split Lock Washer 1/2 ID
 84-4603 Flat Washer, 1/2 ID
 84-4613 Thrust Washer, C.E.
 84-4702 Spacer, Lever Hsg.
 84-7600 Insulator, 1/2 ID
 84-7707 Brake Washer
 84-8901 Snap Ring, Plunger, Shift Lever



79-1111

Repair Kit

24-32 Volt, 8-Brush Design

For: Delco 40MT Series DD Starters

Note: For 4-brush, 24-32 volt repair kit use 79-1113.

For additional hardware kit use 79-1135.

For shift lever kit use 79-1138.

Components:

62-1503 Bushing, C.E.
 62-1600 Bushing, D.E.
 62-1800 Bushing, Lever Hsg.
 68-110 Brush
 69-1704 Brush Spring
 71-1103 Gasket, D.E. Hsg. to Lever Hsg.
 71-1104 Gasket, Inspection Plug
 71-1105 Gasket, Brush Cover Plate
 71-1106 Gasket, Expansion Plug
 71-1306 Soln. Plunger Boot
 71-1309 Insulator, C.E. Term.
 71-1310 Grommet, F.C. Term.
 71-1500 O-Ring 3/8 ID x 1/2 OD
 71-1503 O-Ring 4-1/8 ID x 4-13/32 OD
 71-1504 O-Ring 1/4 ID x 3/8 OD
 71-1701 Oil Seal, Lever Hsg.
 72-1101 Insulator, Field Coil
 72-1102 Insulator, Field Coil
 72-1104 Insulator, F.C. Term.
 72-1401 Insulator, C.E. Term.
 76-1831 Oil Wick
 76-1833 Oil Wick
 76-1839 Expansion Plug
 76-1954 Pipe Plug
 84-1207 Screw 8-32 x 1/2 L
 84-2409 Hex Nut, Nylon Lock 5/16-24
 84-2602 Hex Nut 1/2-13 x 5/16 T
 84-2603 Hex Nut 1/2-13 x 7/16 T
 84-4600 Split Lock Washer 1/2 ID
 84-4603 Flat Washer, 1/2 ID
 84-4613 Thrust Washer, C.E.
 84-4702 Spacer, Lever Hsg.
 84-7600 Insulator, 1/2 ID
 84-7707 Brake Washer
 84-8901 Snap Ring, Plunger, Shift Lever

STARTER - SMALL PARTS (71-, 72-, 76-, 79-)

DELCO (cont'd.)



79-1112 Repair Kit

12 Volt, 4-Brush Design

For: Delco 40MT Series DD Starters

Note: For 8-brush, 12 volt repair kit use 79-1110.

For additional hardware kit use 79-1135.

For shift lever kit use 79-1138.

Components:

- 62-1503 Bushing, C.E.
- 62-1600 Bushing, D.E.
- 62-1800 Bushing, Lever Hsg.
- 68-109 Brush
- 69-1705 Brush Spring
- 71-1103 Gasket, D.E. Hsg.
- 71-1104 Gasket, Inspection Plug
- 71-1306 Soln. Plunger Boot
- 71-1309 Insulator, C.E. Term.
- 71-1310 Grommet, F.C. Term.
- 71-1500 O-Ring 3/8 ID x 1/2 OD
- 71-1503 O-Ring 4-1/8 ID x 4-13/32 OD
- 71-1504 O-Ring 1/4 ID x 3/8 OD
- 71-1701 Oil Seal, Lever Hsg.
- 72-1101 Insulator, Field Coil
- 72-1102 Insulator, Field Coil
- 72-1104 Insulator, F.C. Term.
- 72-1401 Insulator, C.E. Term.
- 76-1834 Oil Wick, D.E., L.H.
- 76-1835 Oil Wick, C.E.
- 76-1838 Oil Reservoir Plug
- 84-1207 Screw 8-32 x 1/2 L
- 84-2409 Hex Nut, Nylon Lock 5/16-24
- 84-2602 Hex Nut 1/2-13 x 5/16 T
- 84-2603 Hex Nut 1/2-13 x 7/16 T
- 84-4600 Split Lock Washer, 1/2 ID
- 84-4603 Flat Washer, 1/2 ID
- 84-4613 Thrust Washer, C.E.
- 84-4702 Spacer, Lever Hsg.
- 84-7600 Insulator, 1/2 ID
- 84-7707 Brake Washer
- 84-8901 Snap Ring, Plunger, Shift Lever



79-1113 Repair Kit

24-32 Volt, 4-Brush Design

For: Delco 40MT Series DD Starters

Note: For 8-brush, 24-32 volt repair kit use 79-1111.

For additional hardware kit use 79-1135.

For shift lever kit use 79-1138.

Components:

- 62-1503 Bushing, C.E.
- 62-1600 Bushing, D.E.
- 62-1800 Bushing, Lever Hsg.
- 68-111 Brush
- 69-1705 Brush Spring
- 71-1103 Gasket, D.E. Hsg.
- 71-1104 Gasket, Inspection Plug
- 71-1306 Soln. Plunger Boot
- 71-1309 Insulator, C.E. Term.
- 71-1310 Grommet, F.C. Term.
- 71-1500 O-Ring 3/8 ID x 1/2 OD
- 71-1503 O-Ring 4-1/8 ID x 4-13/32 OD
- 71-1504 O-Ring 1/4 ID x 3/8 OD
- 71-1701 Oil Seal, Lever Hsg.
- 72-1101 Insulator, Field Coil
- 72-1102 Insulator, Field Coil
- 72-1104 Insulator, F.C. Term.
- 72-1401 Insulator, C.E. Term.
- 76-1834 Oil Wick, D.E., L.H.
- 76-1835 Oil Wick, C.E.
- 76-1838 Oil Reservoir Plug
- 84-1207 Screw 8-32 x 1/2 L
- 84-2409 Hex Nut, Nylon Lock 5/16-24
- 84-2602 Hex Nut 1/2-13 x 5/16 T
- 84-2603 Hex Nut 1/2-13 x 7/16 T
- 84-4600 Split Lock Washer, 1/2 ID
- 84-4603 Flat Washer, 1/2 ID
- 84-4613 Thrust Washer, C.E.
- 84-4702 Spacer, Lever Hsg.
- 84-7600 Insulator, 1/2 ID
- 84-7707 Brake Washer
- 84-8901 Snap Ring, Plunger, Shift Lever

STARTER - SMALL PARTS (71-, 72-, 76-, 79-)



79-1114

Insulator Kit - C.E. Terminal

For: Delco 37MT, 41MT, 42MT Series DD Starters

Replaces: Delco 10495183

Components:

- 71-1309 Insulator
- 72-1106 Insulator
- 72-1107 Insulator
- 72-1108 Insulator



79-1115

Thermostat Kit

For: Delco 37MT, 41MT, 42MT Series DD Starters; 39MT Series PLGR Starters

Components:

- 76-1827 Thermostat (O-ring installed)
- 84-8906 Retaining Ring



79-1116

Repair Kit

12 Volt

For: Delco 42MT Series DD Starters

Note: For shift lever kit use 79-1139.

Components:

- 62-1504 Bushing, C.E.
- 62-1600 Bushing, D.E.
- 62-1801 Bushing, Lever Hsg.
- 68-112 Brush
- 69-1706 Brush Spring
- 71-1104 Gasket, Inspection Plug
- 71-1308 Grommet, F.C. Term. (Ext.)
- 71-1309 Insulator, C.E. Term.
- 71-1313 Soln. Plunger Boot
- 71-1500 O-Ring 3/8 ID x 1/2 OD
- 71-1503 O-Ring 4-1/8 ID x 4-13/32 OD
- 71-1504 O-Ring 1/4 ID x 3/8 OD
- 71-1506 O-Ring 2-1/4 ID x 2-1/2 OD
- 71-1507 O-Ring 4-15/16 ID x 5-1/8 OD
- 71-1508 O-Ring 3-5/16 ID x 3-1/2 OD
- 71-1510 O-Ring 3/16 (No. 10) ID x 5/16 OD
- 71-1701 Oil Seal, Lever Hsg.
- 72-1101 Insulator, Field Coil
- 72-1105 Insulator, Field Coil
- 72-1106 Insulator, C.E. Term.
- 72-1107 Insulator, C.E. Term.
- 72-1108 Insulator, C.E. Term.
- 72-1400 Insulator, F.C. Term. (Int.)
- 76-1825 Oil Reservoir Plug, C.E., Lever Hsg.
- 76-1826 Oil Wick, Lever Hsg.
- 76-1834 Oil Wick, D.E. Hsg.
- 76-1838 Oil Reservoir Plug, D.E. Hsg.
- 76-1844 Inspection Plug
- 84-1207 Screw 8-32 x 1/2 L
- 84-1301 Thru Bolt 10-32 x 3-1/8 L
- 84-1402 Screw 1/4-20 x 1/2 L
- 84-2409 Hex Nut, Nylon Lock 5/16-24
- 84-2600-1 Hex Nut 1/2-13 x 7/16 T
- 84-2602 Hex Nut 1/2-13 x 5/16 T
- 84-4311 Conical Washer No. 10 ID
- 84-4600 Split Lock Washer, 1/2 ID
- 84-4603 Flat Washer, 1/2 ID
- 84-4613 Thrust Washer, C.E.
- 84-4702 Spacer, Lever Hsg.
- 84-4703 Flat Washer, Plunger
- 84-5903 Pin,Fld. Case
- 84-7707 Brake Washer
- 84-8901 Snap Ring, Plunger, Shift Lever

STARTER - SMALL PARTS (71-, 72-, 76-, 79-)

DELCO (cont'd.)



79-1117 Repair Kit 24 Volt

For: Delco 42MT Series DD Starters

Note: For shift lever kit use 79-1139.

Components:

- 62-1504 Bushing, C.E.
- 62-1600 Bushing, D.E.
- 62-1801 Bushing, Lever Hsg.
- 68-113 Brush
- 69-1706 Brush Spring
- 71-1104 Gasket, Inspection Plug
- 71-1308 Grommet, F.C. Term. (Ext.)
- 71-1309 Insulator, C.E. Term.
- 71-1313 Soln. Plunger Boot
- 71-1500 O-Ring 3/8 ID x 1/2 OD
- 71-1503 O-Ring 4-1/8 ID x 4-13/32 OD
- 71-1504 O-Ring 1/4 ID x 3/8 OD
- 71-1506 O-Ring 2-1/4 ID x 2-1/2 OD
- 71-1507 O-Ring 4-15/16 ID x 5-1/8 OD
- 71-1508 O-Ring 3-5/16 ID x 3-1/2 OD
- 71-1510 O-Ring 3/16 (No. 10) ID x 5/16 OD
- 71-1701 Oil Seal, Lever Hsg.
- 72-1101 Insulator, Field Coil
- 72-1105 Insulator, Field Coil
- 72-1106 Insulator, C.E. Term. (Int.)
- 72-1107 Insulator, C.E. Term. (Ext.)
- 72-1108 Insulator, C.E. Term. (Int.)
- 72-1400 Insulator, F.C. Term. (Int.)
- 76-1825 Oil Reservoir Plug, C.E., Lever Hsg.
- 76-1826 Oil Wick, Lever Hsg.
- 76-1834 Oil Wick, D.E. Hsg.
- 76-1838 Oil Reservoir Plug, D.E. Hsg.
- 76-1844 Inspection Plug
- 84-1207 Screw 8-32 x 1/2 L
- 84-1301 Thru Bolt 10-32 x 3-1/8 L
- 84-1402 Screw 1/4-20 x 1/2 L
- 84-2409 Hex Nut, Nylon Lock 5/16-24
- 84-2600-1 Hex Nut 1/2-13 x 7/16 T
- 84-2602 Hex Nut 1/2-13 x 5/16 T
- 84-4311 Conical Washer No. 10 ID
- 84-4600 Split Lock Washer, 1/2 ID
- 84-4603 Flat Washer, 1/2 ID
- 84-4613 Thrust Washer, C.E.
- 84-4702 Spacer, Lever Hsg.
- 84-4703 Flat Washer, Plunger
- 84-5903 Pin, Flt. Case
- 84-7707 Brake Washer
- 84-8901 Snap Ring, Plunger, Shift Lever



79-1118 Repair Kit 12 Volt, 12-Brush Design

For: Delco 50MT Series DD Starters

Note: For 6-brush, 12 volt repair kit use 79-1133.

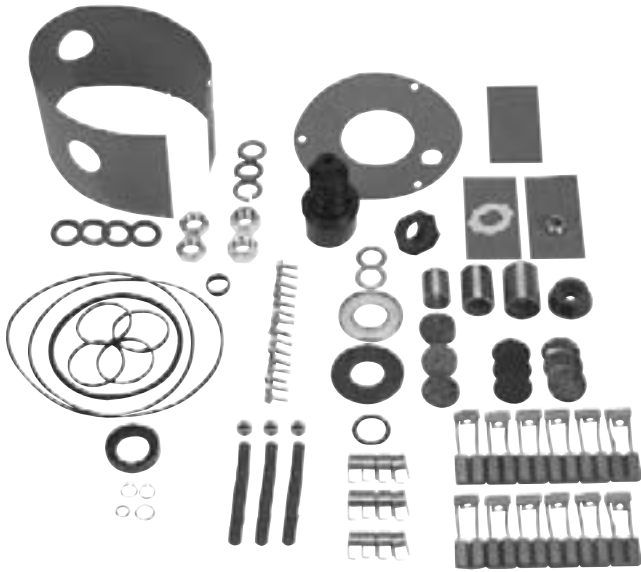
For additional hardware kit use 79-1136.

For shift lever kit use 79-1138.

Components:

- 62-1600 Bushing, D.E.
- 62-1601 Bushing, C.E.
- 62-1800 Bushing, Lever Hsg.
- 68-114 Brush
- 69-1704 Brush Spring
- 71-1103 Gasket, D.E. Hsg. to Lever Hsg.
- 71-1104 Gasket, Inspection Plug
- 71-1106 Gasket, Expansion Plug
- 71-1306 Soln. Plunger Boot
- 71-1309 Insulator, C.E. Term.
- 71-1310 Grommet, F.C. Term.
- 71-1500 O-Ring 3/8 ID x 1/2 OD
- 71-1504 O-Ring 1/4 ID x 3/8 OD
- 71-1509 O-Ring 4-1/2 ID x 4-3/4 OD
- 71-1701 Oil Seal, Lever Hsg.
- 72-1101 Insulator, Field Coil
- 72-1104 Insulator, F.C. Term.
- 72-1109 Insulator, Field Coil
- 72-1110 Insulator, Brush Plate
- 72-1401 Insulator, C.E. Term.
- 76-1831 Oil Wick
- 76-1833 Oil Wick
- 76-1839 Expansion Plug
- 76-1954 Pipe Plug
- 84-1207 Screw 8-32 x 1/2 L
- 84-2409 Hex Nut, Nylon Lock 5/16-24
- 84-2602 Hex Nut 1/2-13 x 5/16 T
- 84-2603 Hex Nut 1/2-13 x 7/16 T
- 84-4600 Split Lock Washer, 1/2 ID
- 84-4603 Flat Washer, 1/2 ID
- 84-4604 Thrust Washer, C.E.
- 84-4702 Spacer, Lever Hsg.
- 84-7600 Insulator, 1/2 ID
- 84-7707 Brake Washer
- 84-8901 Snap Ring, Plunger, Shift Lever

STARTER - SMALL PARTS (71-, 72-, 76-, 79-)



79-1119

Repair Kit

24-32 Volt, 12-Brush Design

For: Delco 50MT Series DD Starters

Note: For 6-brush, 24 volt repair kit use 79-1134.

For additional hardware kit use 79-1136.

For shift lever kit use 79-1138.

Components:

- 62-1600 Bushing, D.E.
- 62-1601 Bushing, C.E.
- 62-1800 Bushing, Lever Hsg.
- 68-116 Brush
- 69-1704 Brush Spring
- 71-1103 Gasket, D.E. Hsg. to Lever Hsg.
- 71-1104 Gasket, Inspection Plug
- 71-1106 Gasket, Expansion Plug
- 71-1306 Soln. Plunger Boot
- 71-1309 Insulator, C.E. Term.
- 71-1310 Grommet, F.C. Term.
- 71-1500 O-Ring 3/8 ID x 1/2 OD
- 71-1504 O-Ring 1/4 ID x 3/8 OD
- 71-1509 O-Ring 4-1/2 ID x 4-3/4 OD
- 71-1701 Oil Seal, Lever Hsg.
- 72-1101 Insulator, Field Coil
- 72-1104 Insulator, F.C. Term.
- 72-1109 Insulator, Field Coil
- 72-1110 Insulator, Brush Plate
- 72-1401 Insulator, C.E. Term.
- 76-1831 Oil Wick
- 76-1833 Oil Wick
- 76-1839 Expansion Plug
- 76-1954 Pipe Plug
- 84-1207 Screw 8-32 x 1/2 L
- 84-2409 Hex Nut, Nylon Lock 5/16-24
- 84-2602 Hex Nut 1/2-13 x 5/16 T
- 84-2603 Hex Nut 1/2-13 x 7/16 T
- 84-4600 Split Lock Washer, 1/2 ID
- 84-4603 Flat Washer, 1/2 ID
- 84-4604 Thrust Washer, C.E.
- 84-4702 Spacer, Lever Hsg.
- 84-7600 Insulator, 1/2 ID
- 84-7707 Brake Washer
- 84-8901 Snap Ring, Plunger, Shift Lever



79-1120

Repair Kit

12-24 Volt

For: Delco 30MT Series Internal Rotatable DD Starters

Note: Without brushes

Components:

- 62-1504 Bushing, D.E.
- 62-1505 Bushing, C.E.
- 62-1702 Bushing, Lever Hsg.
- 69-1703 Brush Spring
- 71-1101 Gasket, C.E. Frame to Fld. Case
- 71-1102 Gasket, D.E. Hsg. to Lever Hsg.
- 71-1306 Soln. Plunger Boot
- 71-1315 Insulator, F.C. Term.
- 71-1501 O-Ring 5/16 ID x 7/16 OD
- 71-1503 O-Ring 4-1/8 ID x 4-13/32 OD
- 71-1703 Oil Seal, Lever Hsg.
- 72-1101 Insulator, Field Coil
- 72-1404 Insulator, Field Coil
- 76-1304 Clip, Shift Lever Pin
- 76-1804 Retaining Ring
- 76-1805 Stop Collar
- 76-1831 Oil Wick, D.E., C.E.
- 76-1836 Oil Wick, Lever Hsg.
- 76-1954 Pipe Plug
- 84-1217 Screw 8-32 x 25/32 L
- 84-2500 Hex Nut 3/8-16
- 84-4500 Split Lock Washer 3/8 ID
- 84-4501 Washer 3/8 ID
- 84-4610 Thrust Washer, C.E.
- 84-4710 Spacer, Lever Hsg.
- 84-7500 Insulating Washer 3/8 ID x 7/8 OD
- 84-7706 Brake Washer
- 84-8901 Snap Ring, Plunger

STARTER - SMALL PARTS (71-, 72-, 76-, 79-)

DELCO (cont'd.)



79-1123 Repair Kit 12 Volt

For: Delco 37MT* Series DD Starters

Note: *1st production starters w/ field coil terminal through C.E. frame.

For 2nd production starters w/ field coil terminal through field case use 79-1127.

Components:

- 62-1504 Bushing, D.E., C.E.
- 62-1802 Bushing, Lever Hsg.
- 68-129 Brush
- 69-1706 Brush Spring
- 71-1104 Gasket, Inspection Plug
- 71-1313 Soln. Plunger Boot
- 71-1317 Grommet, F.C. Term.
- 71-1500 O-Ring 3/8 ID x 1/2 OD
- 71-1503 O-Ring 4-1/8 ID x 4-13/32 OD
- 71-1504 O-Ring 1/4 ID x 3/8 OD
- 71-1506 O-Ring 2-1/4 ID x 2-1/2 OD
- 71-1507 O-Ring 4-15/16 ID x 5-1/8 OD
- 71-1508 O-Ring 3-5/16 ID x 3-1/2 OD
- 71-1510 O-Ring 3/16 (No. 10) ID x 5/16 OD
- 71-1702 Oil Seal, Lever Hsg.
- 72-1101 Insulator, Field Coil
- 76-1809 Stop Collar
- 76-1810 Retaining Ring
- 76-1825 Oil Reservoir Plug
- 76-1826 Oil Wick, D.E., L.H., C.E.
- 76-1844 Inspection Plug
- 84-1207 Screw 8-32 x 1/2 L
- 84-1352 Screw 10-32 x 2-1/8 L
- 84-1402 Screw 1/4-20 x 1/2 L
- 84-2409 Hex Nut, Nylon Lock 5/16-24
- 84-2503 Hex Nut 3/8-16
- 84-4311 Conical Washer No. 10 ID
- 84-4613 Thrust Washer, C.E.
- 84-4703 Flat Washer, Plunger
- 84-4704 Spacer, Lever Hsg.
- 84-5903 Pin, Fld. Case
- 84-7708 Brake Washer
- 84-8901 Snap Ring, Plunger, Shift Lever
- 84-8907 Retainer, Shift Lever Shaft



79-1124 Repair Kit 24 Volt

For: Delco 37MT* Series DD Starters

Note: *1st production starters w/ shunt terminal through field case.

For 2nd production starters wo/ shunt terminal through field case use 79-1128.

Components:

- 62-1504 Bushing, D.E., C.E.
- 62-1802 Bushing, Lever Hsg.
- 68-130 Brush
- 69-1706 Brush Spring
- 71-1104 Gasket, Inspection Plug
- 71-1308 Grommet, F.C. Term. (Ext.)
- 71-1313 Soln. Plunger Boot
- 71-1500 O-Ring 3/8 ID x 1/2 OD
- 71-1503 O-Ring 4-1/8 ID x 4-13/32 OD
- 71-1504 O-Ring 1/4 ID x 3/8 OD
- 71-1506 O-Ring 2-1/4 ID x 2-1/2 OD
- 71-1507 O-Ring 4-15/16 ID x 5-1/8 OD
- 71-1508 O-Ring 3-5/16 ID x 3-1/2 OD
- 71-1510 O-Ring 3/16 (No. 10) ID x 5/16 OD
- 71-1702 Oil Seal, Lever Hsg.
- 72-1101 Insulator, Field Coil
- 72-1400 Insulator, F.C. Term. (Int.)
- 76-1809 Stop Collar
- 76-1810 Retaining Ring
- 76-1825 Oil Reservoir Plug, C.E., Lever Hsg.
- 76-1826 Oil Wick, D.E., L.H., C.E.
- 76-1844 Inspection Plug
- 84-1207 Screw 8-32 x 1/2 L
- 84-1352 Screw 10-32 x 2-1/8 L
- 84-1402 Screw 1/4-20 x 1/2 L
- 84-2310 Hex Nut 10-32
- 84-2409 Hex Nut, Nylon Lock 5/16-24
- 84-2600-1 Hex Nut 1/2-13 x 7/16 T
- 84-4304 Flat Washer No. 10 ID
- 84-4309 Split Lock Washer No. 10 ID
- 84-4311 Conical Washer No. 10 ID
- 84-4613 Thrust Washer, C.E.
- 84-4703 Flat Washer, Plunger
- 84-4704 Spacer, Lever Hsg.
- 84-5903 Pin, Fld. Case
- 84-7708 Brake Washer
- 84-8901 Snap Ring, Plunger, Shift Lever
- 84-8907 Retainer, Shift Lever Shaft

STARTER - SMALL PARTS (71-, 72-, 76-, 79-)



79-1126

Terminal Extension Kit - Solenoid

For: Delco 5MT, 8MT, 10MT, 20MT, 22MT, 25MT, 27MT, SD200, SD250, SD300 Series DD Starters

Note: Used w/ 66-100 solenoid

Components:

- 66-1750 Term. Sleeve, 5/8 L
- 66-1767 Term. Sleeve, 1-1/4 L
- 84-1300 Screw, 10-32 Hex x 1/2 L
- 84-1356 Screw, 10-32 Hex x 1-1/8 L
- 84-1357 Screw, 10-32 Hex x 1-3/4 L
- 84-4300 Lock Washer



79-1127

Repair Kit

12 Volt

For: Delco 37MT* Series DD Starters

Note: *2nd production starters w/ field coil terminal through field case.

For 1st production starters w/ field coil terminal through C.E. frame use 79-1123.

Components:

- 62-1504 Bushing, D.E., C.E.
- 62-1802 Bushing, Lever Hsg.
- 68-129 Brush
- 69-1706 Brush Spring
- 71-1104 Gasket, Inspection Plug
- 71-1308 Grommet, F.C. Term. (Ext.)
- 71-1313 Soln. Plunger Boot
- 71-1500 O-Ring 3/8 ID x 1/2 OD
- 71-1503 O-Ring 4-1/8 ID x 4-13/32 OD
- 71-1504 O-Ring 1/4 ID x 3/8 OD
- 71-1506 O-Ring 2-1/4 ID x 2-1/2 OD
- 71-1507 O-Ring 4-15/16 ID x 5-1/8 OD
- 71-1508 O-Ring 3-5/16 ID x 3-1/2 OD
- 71-1510 O-Ring 3/16 (No. 10) ID x 5/16 OD
- 71-1702 Oil Seal, Lever Hsg.
- 72-1101 Insulator, Field Coil
- 72-1105 Insulator, Field Coil
- 72-1400 Insulator, F.C. Term. (Int.)
- 76-1809 Stop Collar
- 76-1810 Retaining Ring
- 76-1825 Oil Reservoir Plug
- 76-1826 Oil Wick, D.E., L.H.
- 76-1834 Oil Wick, C.E.
- 76-1844 Inspection Plug
- 84-1207 Screw 8-32 x 1/2 L
- 84-1352 Screw 10-32 x 2-1/8 L
- 84-1402 Screw 1/4-20 x 1/2 L
- 84-2409 Hex Nut, Nylon Lock 5/16-24
- 84-4311 Conical Washer No. 10 ID
- 84-4613 Thrust Washer, C.E.
- 84-4703 Flat Washer, Plunger
- 84-4704 Spacer, Lever Hsg.
- 84-5903 Pin,Fld. Case
- 84-7708 Brake Washer
- 84-8901 Snap Ring, Plunger, Shift Lever
- 84-8907 Retainer, Shift Lever Shaft

STARTER - SMALL PARTS (71-, 72-, 76-, 79-)

DELCO (cont'd.)



79-1128 Repair Kit 24 Volt

For: Delco 37MT* Series DD Starters

Note: *2nd production starters wo/ shunt terminal through field case.

For 1st production starters w/ shunt terminal through field case use 79-1124.

Components:

- 62-1504 Bushing, D.E.
- 62-1802 Bushing, Lever Hsg.
- 68-130 Brush
- 69-1706 Brush Spring
- 71-1104 Gasket, Inspection Plug
- 71-1308 Grommet, F.C. Term. (Ext.)
- 71-1313 Soln. Plunger Boot
- 71-1500 O-Ring 3/8 ID x 1/2 OD
- 71-1503 O-Ring 4-1/8 ID x 4-13/32 OD
- 71-1504 O-Ring 1/4 ID x 3/8 OD
- 71-1506 O-Ring 2-1/4 ID x 2-1/2 OD
- 71-1507 O-Ring 4-15/16 ID x 5-1/8 OD
- 71-1508 O-Ring 3-5/16 ID x 3-1/2 OD
- 71-1510 O-Ring 3/16 (No. 10) ID x 5/16 OD
- 71-1702 Oil Seal, Lever Hsg.
- 72-1101 Insulator, Field Coil
- 72-1105 Insulator, Field Coil
- 72-1400 Insulator, F.C. Term. (Int.)
- 76-1809 Stop Collar
- 76-1810 Retaining Ring
- 76-1825 Oil Reservoir Plug
- 76-1826 Oil Wick, D.E., L.H.
- 76-1834 Oil Wick, C.E.
- 76-1844 Inspection Plug
- 84-1207 Screw 8-32 x 1/2 L
- 84-1352 Screw 10-32 x 2-1/8 L
- 84-1402 Screw 1/4-20 x 1/2 L
- 84-2409 Hex Nut, Nylon Lock 5/16-24
- 84-4311 Conical Washer No. 10 ID
- 84-4613 Thrust Washer, C.E.
- 84-4703 Flat Washer, Plunger
- 84-4704 Spacer, Lever Hsg.
- 84-5903 Pin, fld. Case
- 84-7708 Brake Washer
- 84-8901 Snap Ring, Plunger, Shift Lever
- 84-8907 Retainer, Shift Lever Shaft



79-1133 Repair Kit 12 Volt, 6-Brush Design

For: Delco 50MT Series DD Starters

Note: For 12-brush, 12 volt repair kit use 79-1118.

For additional hardware kit use 79-1136.

For shift lever kit use 79-1138.

Components:

- 62-1600 Bushing, D.E.
- 62-1601 Bushing, C.E.
- 62-1800 Bushing, Lever Hsg.
- 68-115 Brush
- 69-1705 Brush Spring
- 71-1103 Gasket, D.E. Hsg. to Lever Hsg.
- 71-1104 Gasket, Inspection Plug
- 71-1306 Soln. Plunger Boot
- 71-1309 Insulator, C.E. Term.
- 71-1310 Grommet, F.C. Term.
- 71-1500 O-Ring 3/8 ID x 1/2 OD
- 71-1504 O-Ring 1/4 ID x 3/8 OD
- 71-1509 O-Ring 4-1/2 ID x 4-3/4 OD
- 71-1701 Oil Seal, Lever Hsg.
- 72-1101 Insulator, Field Coil
- 72-1104 Insulator, F.C. Term.
- 72-1109 Insulator, Field Coil
- 72-1110 Insulator, Brush Plate
- 72-1401 Insulator, C.E. Term.
- 76-1834 Oil Wick, D.E., L.H.
- 76-1835 Oil Wick, C.E.
- 76-1838 Oil Reservoir Plug
- 84-1207 Screw 8-32 x 1/2 L
- 84-2409 Hex Nut, Nylon Lock 5/16-24
- 84-2602 Hex Nut 1/2-13 x 5/16 T
- 84-2603 Hex Nut 1/2-13 x 7/16 T
- 84-4600 Split Lock Washer, 1/2 ID
- 84-4603 Flat Washer, 1/2 ID
- 84-4604 Thrust Washer, C.E.
- 84-4702 Spacer, Lever Hsg.
- 84-7600 Insulator, 1/2 ID
- 84-7707 Brake Washer
- 84-8901 Snap Ring, Plunger, Shift Lever

STARTER - SMALL PARTS (71-, 72-, 76-, 79-)



79-1134

Repair Kit

24-32 Volt, 6-Brush Design

For: Delco 50MT Series DD Starters

Note: For 12-brush, 24-32 volt repair kit use 79-1119.

For additional hardware kit use 79-1136.

For shift lever kit use 79-1138.

Components:

- 62-1600 Bushing, D.E.
- 62-1601 Bushing, C.E.
- 62-1800 Bushing, Lever Hsg.
- 68-117 Brush
- 69-1705 Brush Spring
- 71-1103 Gasket, D.E. Hsg. to Lever Hsg.
- 71-1104 Gasket, Inspection Plug
- 71-1306 Soln. Plunger Boot
- 71-1309 Insulator, C.E. Term.
- 71-1310 Grommet, F.C. Term.
- 71-1500 O-Ring 3/8 ID x 1/2 OD
- 71-1504 O-Ring 1/4 ID x 3/8 OD
- 71-1509 O-Ring 4-1/2 ID x 4-3/4 OD
- 71-1701 Oil Seal, Lever Hsg.
- 72-1101 Insulator, Field Coil
- 72-1104 Insulator, F.C. Term.
- 72-1109 Insulator, Field Coil
- 72-1110 Insulator, Brush Plate
- 72-1401 Insulator, C.E. Term.
- 76-1834 Oil Wick, D.E., L.H.
- 76-1835 Oil Wick, C.E.
- 76-1838 Oil Reservoir Plug
- 84-1207 Screw 8-32 x 1/2 L
- 84-2409 Hex Nut, Nylon Lock 5/16-24
- 84-2602 Hex Nut 1/2-13 x 5/16 T
- 84-2603 Hex Nut 1/2-13 x 7/16 T
- 84-4600 Split Lock Washer, 1/2 ID
- 84-4603 Flat Washer, 1/2 ID
- 84-4604 Thrust Washer, C.E.
- 84-4702 Spacer, Lever Hsg.
- 84-7600 Insulator, 1/2 ID
- 84-7707 Brake Washer
- 84-8901 Snap Ring, Plunger, Shift Lever



79-1135

Hardware Kit

For: Delco 40MT Series DD Starters

Components:

- 71-1311 Plug
- 76-1844 Inspection Plug
- 84-1411 Screw 10-32 x 2-1/8 L
- 84-1419 Screw 1/4-28 x 1 L
- 84-1421 Screw 5/16-18 x 1-1/2 L
- 84-1425 Screw 5/16-18 x 7/8 L
- 84-1502 Pole Shoe Screw
- 84-4401 Split Lock Washer 1/4 ID



79-1136

Hardware Kit

For: Delco 50MT Series DD Starters

Components:

- 71-1311 Plug
- 76-1844 Inspection Plug
- 84-1411 Screw 10-32 x 2-1/8 L
- 84-1419 Screw 1/4-28 x 1 L
- 84-1421 Screw 5/16-18 x 1-1/2 L
- 84-1425 Screw 5/16-18 x 7/8 L
- 84-1502 Pole Shoe Screw
- 84-4401 Split Lock Washer 1/4 ID

STARTER - SMALL PARTS (71-, 72-, 76-, 79-)

DELCO (cont'd.)



**79-1150
Repair Kit**

For: Delco 10MT, 20MT, 22MT, 25MT, 27MT, SD300 Series, Wet Clutch DD Starters

Components:

- 62-1700 Bushing, C.S.
- 71-1100 Gasket
- 71-1316 Boot
- 71-1700 Oil Seal
- 84-4400 Sealing Washer



**79-1151
Repair Kit
12 Volt**

For: Delco 20MT, 25MT, 27MT Series DD Starters

Note: For wet clutch applications add 79-1150 repair kit

Components:

- 55-105 Shift Lever
- 62-1406 Bushing
- 62-1505 Bushing
- 62-1703 Bushing
- 68-106 Brush
- 69-1202 Brush Holder
- 69-1204 Brush Holder
- 69-1701 Brush Spring
- 71-1304-1 Grommet
- 72-1101 Insulator
- 76-1251 Connector
- 76-1602 Ground Lead
- 76-1609 Field Coil Lead
- 76-1804 Retaining Ring
- 76-1805 Stop Collar
- 76-1848 Thrust Collar
- 84-1217 Screw

(cont'd.)

(cont'd.)

- 84-1222 Screw
- 84-1317 Screw
- 84-1338 Screw
- 84-1410 Screw
- 84-2308 Nut
- 84-4305 Lock Washer
- 84-4309 Lock Washer
- 84-4401 Lock Washer
- 84-4610 Thrust Washer
- 84-5901 Pin
- 84-7706 Brake Washer



**79-1157
Mounting Shim Kit**

For: Delco 5MT, 10MT, SD200, SD210, SD260, SD300 Series DD Starters

Dim: .4mm (.015") T

Note: 79-1157 kit contains 4 shims (76-1305), gauge pin and detailed instructions, written in 3-languages, describing an easy way to determine if a unit requires a shim.

Components:

- 76-1305 Shim



**79-84100
Repair Kit
12 Volt**

For: Delco 28MT Series OSGR Starters

Components:

- 6-103-4 Ball Bearing, Armature Front
- 6-105-2 Ball Bearing, Drive Shaft
- 6-200-4 Ball Bearing, Armature Rear
- 62-84500 Bushing, D.E. Housing
- 68-8400 Brush, Ground
- 68-8401 Brush, Field

(cont'd.)

STARTER - SMALL PARTS (71-, 72-, 76-, 79-)

(cont'd.)

69-84700 Brush, Spring
 71-1504 O-Ring 1/4 ID x 3/8 OD
 71-82502 O-Ring, 5mm ID x 8mm OD
 71-84100 Gasket, C.S. Frame
 71-84102 Seal, D.E. Housing
 71-84500 O-Ring, 82mm ID x 85.6mm OD
 71-84700 Oil Seal, Drive Shaft Frame
 72-84101 Insulator, Field Coil
 76-84803 Pin, C.S. Frame
 76-84806 Stop Collar (14mm Drive Shaft)
 76-84807 Retaining Ring (14mm Drv. Shaft)
 84-4401 Split Lock Washer, 1/4 ID
 84-4402 Split Lock Washer
 85-1205 Screw M4 x 0.7 x 7.5mm L
 85-1327 Screw M6 x 1.0 x 50mm L
 85-1328 Screw M6 x 1.0 x 180mm L
 85-1330 Screw M6 x 1.0 x 60mm L
 85-1331 Screw M6 x 1.0 x 20mm L
 85-1332 Screw M5-0.8 x 14mm L
 85-1504 Screw Pole Shoe
 85-2200 Nut M4 x 0.7 x 4mm T
 85-2300 Nut M5 x 0.8 x 6mm T
 85-2307 Nut M6 x 1.0 x 10mm
 85-2401 Nut M8 x 1.25 x 4.8mm T
 85-2500 Nut M10 x 1.5 x 8mm T
 85-4305 Sealing Washer 6mm
 85-4500 Split Lock Washer 10mm ID
 85-4501 Wash 10mm x 23mm Thick
 85-4502 Wash 10mm x 23mm Thin
 85-7500 Wash 10mm x 23mm Fiber



79-84500

Terminal Kit - Field Coil

For: Delco 28MT Series OSGR Starters
Note: Includes replacement field coil lead assy., hardware & threaded terminal post
Components:
 76-84550 Terminal Post



76-84803

Pin - C.S. Frame

For: Delco 28MT Series OSGR Starters
Dim: 2mm OD x 10.5mm L
Features:
 • Steel



79-1125
Thru Bolt

For: Delco 37MT, 41MT Series DD Starters
Replaces: Delco 1985333, 10468814
Dim: 10-32 x 2-1/4 L
Components:
 71-1510 O-Ring
 84-1352 Thru Bolt
 84-4311 Lock Washer
Features:
 • Hex washer head, 5/16 drive
 • Dog point
 • Zinc-yellow plated



79-1122
Thru Bolt

For: Delco 42MT Series DD Starters
Replaces: Delco 1988135
Dim: 10-32 x 3-1/8 L
Components:
 71-1510 O-Ring
 84-1301 Thru Bolt
 84-4311 Lock Washer
Features:
 • Hex washer head, 5/16 drive
 • Zinc-yellow plated

FORD



58-2500
Magnet - North Pole

For: Ford PMGR, PMGR Noseless Starters
Dim: 45mm L x 22mm W x 8mm T
Note: 3-required per starter



58-2501
Magnet - South Pole

For: Ford PMGR, PMGR Noseless Starters
Dim: 45mm L x 22mm W x 8mm T
Note: 3-required per starter



71-1319
Drain Tube - Field Case

For: Delco PG200, PG250 Series PMGR Starters; Ford PMGR External Thru Bolt Starters
Replaces: Delco 10497538
Unit Nos: Delco 9000719, 735, 773, 776, 797; Ford 1W4U-11000-CA, 6S4Z-11002-AA, 96BB-11000-AA; XW4U-11000-AC, -CG; XW4Z-11002-AC, -CG
Lester Nos: 6407, 6431, 6442, 6651, 6652, 6674
Note: Fits 8mm dia. hole



71-2100
Gasket - Shift Lever Cover

For: Ford 4-1/2", 4-1/2" Mod I DD Starters
Replaces: Ford C0DF-11065-A, SZ-591
Note: Used w/ 76-2101 cover

STARTER - SMALL PARTS (71-, 72-, 76-, 79-)

FORD (cont'd.)



71-2101

Gasket - Shift Lever Cover

For: Ford 4", 4" Mod I DD Starters

Replaces: Ford C2DF-11065-A, SZ-592

Note: Used w/ 76-2103 cover



71-2102

Gasket - Shift Lever Cover

For: Ford 4" Mod II DD Starters

Note: Used w/ 76-2104 cover



71-2103

Seal - D.E. Housing

For: Ford PMGR Starters

Unit Nos: Ford F2VY-11002-A, F3LY-11002-A, F6VZ-11002-AA, F75Z-11002-AA, F7LZ-11002-BA, F7UZ-11002-AA

Lester Nos: 3221, 3267

Dim:

58.2mm OD x 5.1mm W

2.29" OD x .20" W

Fits 46.4mm (1.825") Dia. Shaft

Note: Used inside 51-249 D.E. housing



71-2104

Spacer - Solenoid Mounting

For: Ford 4-1/2" Solenoid Actuated DD Starters

Replaces: Ford C8VY-11A122-A, Ref# S-2558

Unit Nos: Ford C8VY-11002-C, D3TZ-11002-C, D5TZ-11002-A, D6TZ-11002-C

Lester Nos: 3142



71-2301

Grommet - Field Coil

For: Ford 4", 4" Mod I, 4-1/2" Mod I, 4-1/2" Mod II DD Starters

Replaces: Ford D7AZ-11A120-A, D7FZ-11A120-A, D8AF-11A120-A, D8EF-11A120-A, SZ-742, SZ-743



71-2302

Grommet - Field Coil

For: Ford 4" Mod II DD Starters

Replaces: Ford E2BZ-11A120-A, SZ-778

Note: Used w/ 52-205 deep C.E. frame



71-2303

Grommet - Field Coil

For: Ford 4" Mod II DD Starters

Replaces: Ford E3FZ-11A120-A, SZ-793

Note: Used w/ 52-200, 52-206 shallow C.E. frames



71-2304

Seal - Shift Lever Cover

For: Ford 4" Mod II, 4-1/2" Mod II DD Starters



71-2309

Plug - Shift Lever Support

For: Ford PMGR, PMOSGR Starters

Replaces: Ford E9OZ-11A171-A



71-2310

Drain Tube - D.E. Housing

For: Ford PMGR Starters

Unit Nos: Ford F2VU-11000-AC, F2VU-11000-AD, F2VY-11002-A, F3LU-11000-AA, F3LY-11002-A, F4LU-11000-AA, SA-789, SA-808

Lester Nos: 3221

Note: Used in 51-249 D.E. housing



71-2313

Drain Tube - D.E. Housing

For: Ford PMGR Starters

Unit Nos: Ford F6VU-11000-AC, F6VZ-11002-AA, F75U-11000-AA, F75U-11000-AB, F75U-11000-AC, F75Z-11002-AA, F7LZ-11002-BA, SA-822, SA-838, SA-842

Lester Nos: 3267

Note: Used in 51-249 D.E. housing

STARTER - SMALL PARTS (71-, 72-, 76-, 79-)



71-2317

Drain Tube - D.E. Housing

For: Ford PMGR, PMGR Noseless Starters

Lester Nos: 3267, 6646, 6647, 6652

Note: Used in 51-259, 51-260, 51-261, 51-263 D.E. housings.



71-2319

Plug - Shift Lever Support

For: Ford PMGR Noseless Starters

Lester Nos: 6646, 6647, 6652

Note: Used w/ 76-2307 metal shift lever support pad.



71-2320

Pad - Shift Lever Support

For: Ford PMGR External Thru Bolt Starters

Used On: (2006-00) Ford, Jaguar, Lincoln, Mercury

Unit Nos: Ford 5L8T-11000-AC, 5L8Z-11002-AA, 6F9Z-11002-AA, 6S4Z-11002-AA, 96BB-11000-AA, XW4U-11000-AC, XW4Z-11002-AC; Jaguar C2C-1127

Lester Nos: 6651, 6674, 6676, 6677



72-2100

Insulator - Contact Post

For: Ford 4" DD Starters

Replaces: Ford C2DF-11181-A



72-2101

Insulator - Contact Post

For: Ford 4-1/2" DD Starters

Replaces: Ford C2OZ-11181-A

Note: Included in 79-2103 contact kit



72-2102

Insulator - Contact Post

For: Ford 4-1/2" DD Starters

Replaces: Ford C0DF-11181-A

Note: Included in 79-2101 contact kit



72-2103

Insulator - Contact Post

For: Ford 4-1/2" DD Starters

Replaces: Ford C2DF-11068-A

Dim: 4mm (No. 8) ID

Note: Included in 79-2104 contact kit



72-2104

Insulator - Brush Holder

For: Ford 4" Mod I, 4-1/2" Mod I, 4-1/2" Mod II DD Starters

Replaces: Ford D7AZ-11062-A, SZ-737



72-2108

Insulator - C.E. Bracket

For: Ford 4" Mod I, 4" Mod II, 4-1/2" Mod I, 4-1/2" Mod II DD Starters



72-2109

Insulator - Contact Post

For: Ford 4" Mod I DD Starters

Note: Included in 79-2113 contact kit



72-2111

Insulator - Brush Holder

For: Ford 4" Mod II DD Starters

Replaces: Ford E2BZ-11062-A, SZ-774



72-2112

Insulator - Contact Post

For: Ford 4-1/2" DD Starters

Replaces: Ford D0AF-11181-A

Note: Included in 79-2104 contact kit



72-2113

Insulator - Term. Post

For: Ford 4" DD Starters

Replaces: Ford C2DZ-11107-A

Dim: 8.5mm (11/32") OAL

Note: Used w/ 76-2551 terminal post

STARTER - SMALL PARTS (71-, 72-, 76-, 79-)

FORD (cont'd.)



72-2116

Insulator - Field Coil Repair

For: Ford 4-1/2", 4-1/2" Mod I, 4-1/2" Mod II DD Starters

Note: Aftermarket insulator designed for salvaging field coils w/ torn insulation.

Features:

- Inserts between field coil & field case
- Center tabs insulate field coil from field case and pole shoe
- Not designed for shunt coils



72-2117

Insulator - Field Coil Repair

For: Ford 4", 4" Mod I, 4" Mod II DD Starters

Note: Aftermarket insulator designed for salvaging field coils w/ torn insulation.

Features:

- Inserts between field coil & field case
- Center tabs insulate field coil from field case and pole shoe
- Not designed for shunt coils



72-2400

Insulator - Term. Post

For: Ford 4-1/2" DD Starters

Replaces: Ford 18-11107-B

Dim: 10.5mm (13/32") OAL

Note: Used w/ 76-2550, 76-2552 terminal posts



72-2402

Insulator - Contact Post

For: Ford 4", 4" Mod I, 4-1/2" DD Starters

Replaces: Ford 8BA-11048-B, C0DF-11068-A, C2DZ-11068-A

Dim: 3mm (No. 5) ID

Note: Included in 79-2101, 79-2103, 79-2108, 79-2113 contact kits



72-2404

Insulator - Contact Post

For: Ford 4-1/2" Mod I, 4-1/2" Mod II DD Starters

Replaces: Ford D8AF-11181-AA

Note: Included in 79-2106 contact kit



72-2408

Insulator - C.E. Bracket

For: Ford 4" Mod I, 4" Mod II, 4-1/2" Mod I, 4-1/2" Mod II DD Starters

Dim: 5mm (3/16") ID



72-2410

Insulator - Contact Post

For: Ford 4" Mod II DD Starters

Replaces: Ford E2BF-11181-AA

Note: Included in 79-2112 contact kit



76-2100

Cover Band

For: Ford 4-1/2" DD Starters

Replaces: Ford C0DF-11126-A, C2OZ-11126-A

Features:

- Made from galvanized steel
- Rust-resistant



76-2101-1

Cover - Shift Lever

For: Ford 4-1/2", 4-1/2" Mod I DD Starters

Replaces: Ford D8AZ-11060-A, SZ-749

Lester Nos: 3124, 3131, 3132, 3135, 3149, 3152, 3153, 3154, 3155, 3157, 3160, 3165

Note: Used w/ 71-2100 gasket

Features:

- Made from galvanized steel
- Rust-resistant



76-2103

Cover - Shift Lever

For: Ford 4", 4" Mod I DD Starters

Replaces: Ford C2DF-11060-A, E1FZ-11060-A, SZ-766

Lester Nos: 3148, 3151, 3156, 3158, 3170, 3179

Note: Used w/ 71-2101 gasket

STARTER - SMALL PARTS (71-, 72-, 76-, 79-)



76-2104

Cover - Shift Lever

For: Ford 4" Mod II DD Starters
Replaces: Ford E2BZ-11060-A, SZ-777
Lester Nos: 3133, 3175, 3180, 3181, 3185, 3187, 3188, 3189, 3191, 3196, 3198
Note: Centered mtg. hole. Used w/ 71-2102 gasket.

76-2104-1

Cover - Shift Lever

Same as 76-2104 except...
Features:

- Made from galvanized steel
- Rust-resistant



76-2109

Cover Band

For: Ford 4" DD Starters
Replaces: Ford D4ZZ-11126-A
Lester Nos: 3151
Note: Used in starters w/ C.E. terminal. Also used when converting Ford 4" DD starters w/ side terminal to later style w/ C.E. terminal. 76-2109 covers the unused side terminal hole in the field case.
Features:

- Made from galvanized steel
- Rust-resistant



76-2110-1

Cover - Shift Lever

For: Ford 4-1/2" Mod II DD Starters
Replaces: Ford E1AZ-11060-A, SZ-765
Lester Nos: 3168, 3169, 3172, 3174, 3176
Features:

- Made from galvanized steel
- Rust-resistant



76-2111

Cover - Shift Lever

For: Ford 4" Mod II DD Starters
Replaces: Ford E2FZ-11060-A, SZ-783
Lester Nos: 3179
Note: Offset mtg. hole



76-2112

Cover Assy. - Shift Lever

For: Ford 4-1/2", 4-1/2" Mod I DD Starters
Used On: Marine Applications
Replaces: Ford D5FF-11058-AA



76-2114

Cover - Solenoid Terminals

For: Ford PMGR Starters
Replaces: Ford E9OZ-11N087-A
Dim: Red Color
Note: Included in 79-2114 Starter Harness Kit



76-2115

Cover Band

For: Ford Inertia Drive Starters
Used On: Ford C3NF-11001-A, FAC-11000, FAC-11001, FAC-11001-P, FAC-11002, FAC-11002-B, FAC-11002-G, FAD-11002-A, FAR-11002-A, FAY-11002-A
Replaces: Ford B1TZ-11126-A, Ref# B-5
Lester Nos: 3103, 3104, 3106, 3108, 3110, 3115, 3117, 3125, 3136



76-2200

Retaining Sleeve

For: Ford 4-1/2", 4-1/2" Mod I DD Starters
Replaces: Ford C0DF-11105-A
Lester Nos: 3124, 3131, 3132, 3135, 3149, 3152, 3153, 3154, 3155, 3157, 3160, 3165
Features:

- Corners formed to prevent cracking
- OEM-type design

STARTER - SMALL PARTS (71-, 72-, 76-, 79-)

FORD (cont'd.)



76-2203

Retaining Sleeve

For: Ford 4" Mod I, 4" Mod II DD Starters

Replaces: Ford E2BZ-11105-A, E3AZ-11105-A

Lester Nos: 3133, 3175, 3179, 3180, 3181, 3185, 3187, 3188, 3189, 3191, 3196, 3198

Features:

- Stainless steel
- OEM-type design

76-2203-1

Retaining Sleeve

Same as 76-2203 except...

Features:

- Aluminum



76-2204

Retaining Sleeve

For: Ford 4-1/2" Mod II DD Starters

Replaces: Ford E1AZ-11105-A, E1AZ-11105-B

Lester Nos: 3168, 3169, 3172, 3174, 3176

Features:

- Corners formed to prevent cracking
- OEM-type design



76-2252

Support Bracket - C.E. Frame

For: Ford 4" Mod II DD Starters

Lester Nos: 3170, 3179, 3181, 3187, 3188, 3189, 3196, 3198

Note: Used in starters w/ 75° angle field coil terminal.

Used in 52-206 C.E. frame.



76-2253

Support Bracket - C.E. Frame

For: Ford 4" Mod I, 4" Mod II, 4-1/2" Mod I, 4-1/2" Mod II DD Starters

Lester Nos: 3124, 3131, 3132, 3133, 3135, 3139, 3142, 3149, 3175, 3180, 3185, 3191, 3207, 3208

Note: Used in starters w/ straight field coil terminal.

Used in 52-200, 52-205 C.E. frames.



76-2300

Retainer - Field Coil

For: Ford 4-1/2", 4-1/2" Mod I, 4-1/2" Mod II DD Starters

Replaces: Ford C0DF-11106-A



76-2301

Retainer - Field Coil

For: Ford 4", 4" Mod I, 4" Mod II DD Starters

Replaces: Ford C2DF-11106-A



76-2302

Cover - Planetary Shaft Assy.

For: Ford PMGR, PMGR Noseless Starters

Replaces: Ford E9OZ-11A167-A, SM-477



76-2306

Mounting Shim

For: Ford 4-1/2" DD Starters

Replaces: Ford D7TZ-11N004

Dim: 2.3mm (.090") T

Note: Used w/ 2 or 3-hole D.E. housings. On engines with worn thrust bearings, the excessive crankshaft end play may cause pinion damage when the flywheel moves toward the starter. The 76-2306 helps prevent pinion damage by backing the starter away from the crankshaft flywheel.



76-2307

Pad - Shift Lever Support

For: Ford PMGR Noseless Starters

Lester Nos: 3267, 6646, 6647, 6652, 6658

Note: 76-2307 used on later style D.E. housings that are machined to accommodate plunger boot. Used w/ 71-2319 rubber shift lever support plug.



76-2311

Cover - Planetary Shaft Assy.

For: Ford PMGR External Thru Bolt Starters

Used On: (2004-00) Jaguar, Lincoln

Unit Nos: Ford 96BB-11000-AA, XW4U-11000-AC, XW4Z-11002-AC; Jaguar C2C-1127

Lester Nos: 6651

STARTER - SMALL PARTS (71-, 72-, 76-, 79-)



76-2500
Contact Post

For: Ford 4-1/2" DD Starters
Replaces: Ford C2OZ-11176-A, C2OZ-11176-B
Note: Included in 79-2103 contact kit



76-2501
Contact Post

For: Ford 4-1/2" DD Starters
Replaces: Ford C0DF-11176-A
Note: Included in 79-2101 contact kit



76-2502
Contact Spring w/ Brush

For: Ford 4-1/2" DD Starters
Replaces: Ford C0DF-11116-A, C2OF-11116-B
Note: Included in 79-2101, 79-2103 contact kits



76-2503
Contact Post

For: Ford 4-1/2" DD Starters
Replaces: Ford D0AF-11177-A
Note: Included in 79-2104 contact kit



76-2504
Contact Spring

For: Ford 4-1/2" DD Starters
Replaces: Ford D0AF-11116-A
Note: Included in 79-2104 contact kit



76-2505
Contact Post

For: Ford 4-1/2" Mod I, 4-1/2" Mod II DD Starters
Replaces: Ford D8AF-11177-AA
Lester Nos: 3152, 3153, 3154, 3155, 3157, 3165, 3168, 3169, 3172, 3174, 3176
Note: Included in 79-2106 contact kit



76-2506
Contact Post

For: Ford 4" DD Starters
Replaces: Ford C2DF-11176-B, C2DZ-11076-B
Note: Included in 79-2108 contact kit



76-2507
Contact Spring w/ Brush

For: Ford 4" DD Starters
Lester Nos: 3148, 3156
Note: Included in 79-2108 contact kit



76-2508
Contact Spring

For: Ford 4" DD Starters
Lester Nos: 3151
Note: Used in starters w/ C.E. terminal



76-2509
Contact Post

For: Ford 4" Mod II DD Starters
Lester Nos: 3133, 3175, 3179, 3180, 3181, 3185, 3187, 3188, 3189, 3191, 3196, 3198
Note: Included in 79-2112 contact kit



76-2510
Contact Spring

For: Ford 4" Mod II DD Starters
Lester Nos: 3133, 3175, 3179, 3180, 3181, 3185, 3187, 3188, 3189, 3191, 3196, 3198
Note: Included in 79-2112 contact kit

STARTER - SMALL PARTS (71-, 72-, 76-, 79-)

FORD (cont'd.)



76-2511

Contact Spring

For: Ford 4" Mod I DD Starters

Lester Nos: 3156, 3158, 3170, 3179

Note: Included in 79-2113 contact kit



76-2512

Contact Post

For: Ford 4" Mod I DD Starters

Lester Nos: 3156, 3158, 3170, 3179

Note: Included in 79-2113 contact kit



76-2513

Terminal - Contact Assy.

For: Ford 4" Mod I, 4-1/2" Mod I, 4-1/2" Mod II DD Starters

Note: Included in 79-2106, 79-2113 contact kits



76-2514

Contact Spring

For: Ford 4-1/2" Mod I, 4-1/2" Mod II DD Starters

Lester Nos: 3152, 3153, 3154, 3155, 3157, 3165, 3168, 3169, 3172, 3174, 3176

Note: Included in 79-2106 contact kit



76-2550

Terminal Post

For: Ford 4-1/2" DD Starters

Dim: 5/16-18 x 1-1/4 L

Note: Used w/ 72-2400 insulator



76-2551

Terminal Post

For: Ford 4" DD Starters

Replaces: Ford C7AF-11102-A

Dim: 5/16-24 x 1-1/4 L

Note: 10.3mm shoulder dia. Used w/ 72-2113 insulator.



76-2552

Terminal Post

For: Ford 4-1/2" DD Starters

Dim: 5/16-24 x 1-1/4 L

Note: 11.5mm shoulder dia. Used w/ 72-2400 insulator.



76-2554

Terminal Repair Post

For: Ford 4-1/2" DD Starters

Dim: 5/16-24



76-2555

Terminal Repair Post

For: Ford 4-1/2" DD Starters

Dim: 5/16-18



76-2557

Field Coil Terminal (Straight)

For: Ford 4" Mod I, 4-1/2" Mod I, 4-1/2" Mod II DD Starters

Dim: 60mm (2-3/8") L



76-2560

Field Coil Terminal (Angle)

For: Ford 4" Mod II DD Starters

Dim: 51mm (2") L



76-2561

Field Coil Terminal (Straight)

For: Ford 4" Mod II DD Starters

Dim: 51mm (2") L



76-2603

Repair Lead - Solenoid S-Terminal

For: Ford PMGR Starters

Dim: 10-Gauge Wire

6mm Dia. Ring Terminal

186mm OAL

Note: For re-terminating the S-terminal wire lead from a spade connector to a ring terminal. Used when upgrading a solenoid with spade type S-terminal to a solenoid w/ M6 x 1.0 threaded post S-terminal.



76-2700

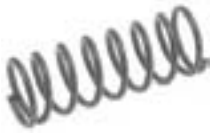
Spring - Shift Lever Return

For: Ford 4-1/2", 4-1/2" Mod I, 4-1/2" Mod II DD Starters

Replaces: Ford C0DF-11103-A, C1VF-11103-A, SZ-630

Dim: 1.5mm Wire Dia. x 15.6mm OD x 38.6mm L

STARTER - SMALL PARTS (71-, 72-, 76-, 79-)



76-2701

Spring - Shift Lever Return

For: Ford 4", 4" Mod I, 4" Mod II DD Starters
Replaces: Ford C2DF-11103-A, SZ-629
Dim: 1.57mm Wire Dia. x 12.5mm OD x 33mm L



76-2800

Stop Ring

For: Ford 4", 4" Mod I, 4" Mod II, 4-1/2", 4-1/2" Mod I, 4-1/2" Mod II DD; OSGR, PMGR Starters
Replaces: Ford C2DF-11222-A, C2DZ-11222-A, C4DF-11222-A, SZ-604
Dim: 10.5mm ID x 15.6mm OD x 2.7mm T



76-2801

Stop Collar

For: Ford 4", 4" Mod I, 4" Mod II, 4-1/2", 4-1/2" Mod I, 4-1/2" Mod II DD; OSGR, PMGR Starters
Replaces: Ford C2DZ-11223-A, D1FZ-11223-A, D6AZ-11223-A, SZ-730
Dim: 12mm ID x 17.8mm OD x 3.4mm L

76-2801-1

Stop Collar

Same as 76-2801 except...
Features:
 • Stamped & heat-treated

76-2801-2

Stop Collar

Same as 76-2801 except...
Features:
 • Machined & heat-treated



76-2804

Cup - D.E. Housing

For: Ford 4" Mod I, 4-1/2" Mod I DD Starters
Replaces: Ford D0AZ-11K013-A



76-2805

Spacer - Thru Bolt

For: Ford 4" Mod II DD Starters
Replaces: Ford E4TZ-11N004-A
Lester Nos: 3191
Dim: 6.7mm ID x 12.6mm OD x 12.8mm T



76-2809

Planetary Shaft

For: Ford PMGR Starters
Replaces: Ford F0TZ-11355-A
Dim: 18mm deep bushing cavity
 16mm retaining ring groove
Note: 1st production shaft. Used w/ 76-2808 retainer and 61-210-1 armature. Similar to 76-2822 except 76-2822 has 16mm deep bushing cavity.



76-2810

Planetary Gear

For: Ford PMGR Starters
Replaces: Ford F0FZ-11K190-A
Dim: 13-Teeth, 19mm Gear OD
Note: For version w/ needle bearing use 76-2816
Components:
 62-2200 Bushing



76-2811

Stationary Gear

For: Ford PMGR, PMGR Noseless Starters
Replaces: Ford E9OZ-11A165-A, SM-476
Dim: 37-Teeth, 47mm Gear ID
Components:
 62-2700 Bushing



76-2812

Ball - Planetary Shaft

For: Ford PMGR Starters; Mitsubishi PLGR, PMGR Starters
Replaces: Ford E9OZ-11A172-A, MCE-443
Dim: .250" (6.3mm) Dia.
Features:
 • Standard size



76-2814

Retainer - Magnet

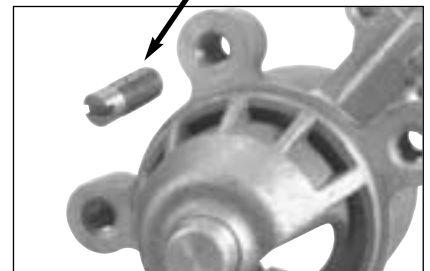
For: Ford PMGR, PMGR Noseless Starters



76-2816

Planetary Gear

For: Ford PMGR, PMGR Noseless Starters
Replaces: Ford E9OZ-11K190-A
Dim: 13-Teeth, 19mm Gear OD
Note: For version w/ bushing use 76-2810
Components:
 8-203 Needle Bearing



76-2818

Locating Dowel Pin - D.E. Housing

For: Ford 4" Mod, PMGR Starters
Dim: M10 x 1.5 Thd. x 25.5mm L
Note: Converts D.E. housing w/ threaded mounting ear to D.E. housing w/ locating dowel.
 Use in 51-204 to replace 51-230.
 Use in 51-239 to replace 51-238.

STARTER - SMALL PARTS (71-, 72-, 76-, 79-)

FORD (cont'd.)



76-2820

Shaft - Reduction Gear

For: Ford PMOSGR Starters
Used On: (2005-95) Ford, Lincoln, Mercury
Replaces: Ford F5RZ-11A201-A
Unit Nos: Ford 93BB-11000-KA, 93BB-11000-KB, F3RZ-11002-C, F5OU-11000-AA, F5OY-11002-A, F6DU-11000-AA, F6DZ-11002-A, SA-815, SA-818, SA-821-A
Lester Nos: 3263, 3264, 3266



76-2822

Planetary Shaft

For: Ford PMGR Starters
Dim: 16mm deep bushing cavity
Note: 2nd production planetary shaft. Used w/ 76-2808 retainer and 61-211 armature. Similar to 76-2809 except 76-2809 has 18mm deep bushing cavity.



76-2823

Retainer - Stationary Gear

For: Ford PMGR Noseless Starters



76-2824

Planetary Shaft

For: Ford PMGR Noseless Starters
Used On: (2005-99) Ford Excursion, Expedition, F Series Pickup, Thunderbird; Lincoln Blackwood, LS, Navigator
Unit Nos: Ford F81U-11000-AA, -AC, -AD; F81Z-11002-AA; XL1U-11000-AA, -AB; XL1Z-11002-AA, XW4U-11000-CG, XW4Z-11002-CG
Lester Nos: 6646, 6647, 6652



76-2825

Ball - Planetary Shaft Oversize

For: Ford PMGR Starters
Dim: .297" (7.54mm) dia
Note: Included in 79-2825 Ball Kit. Oversize ball is for assembling 2nd production armature with 1st production drive shaft.



76-2826

Ball - Planetary Shaft Undersize

For: Ford PMGR Starters
Dim: .234" (5.94mm) dia.
Note: Included in 79-2826 Ball Kit. Undersize ball is for assembling 1st production armature with 2nd production drive shaft.



76-2827

Reduction Gear

For: Ford PMOSGR Starters
 (cont'd.)

(cont'd.)

Used On: (2005-01) Ford, Mercury
Unit Nos: Ford 1F1U-11000-AA, 1F1Z-11002-AA
Lester Nos: 6643
Dim: 22-T, 51.7mm Gear OD, 14.7mm L, 41.8mm Collar OD
Note: Late style w/ 41.8mm Collar OD. Used w/ 76-2820 shaft



76-2830

Stationary Gear

For: Ford PMGR External Thru Bolt Starters
Used On: (2006-00) Ford, Jaguar, Lincoln, Mercury
Unit Nos: Ford 5L8T-11000-AC, 5L8Z-11002-AA, 6F9Z-11002-AA, 6S4Z-11002-AA, 96BB-11000-AA, XW4U-11000-AC, XW4Z-11002-AC; Jaguar, C2C-1127
Lester Nos: 6651, 6674, 6676, 6677
Dim: 45-Teeth, 52mm Gear ID
Components: 62-2700 Bushing



76-2831

Planetary Gear

For: Ford PMGR External Thru Bolt Starters
Used On: (2006-00) Ford, Jaguar, Lincoln, Mercury
Unit Nos: Ford 5L8T-11000-AC, 5L8Z-11002-AA, 6F9Z-11002-AA, 6S4Z-11002-AA, 96BB-11000-AA, XW4U-11000-AC, XW4Z-11002-AC; Jaguar, C2C-1127
Lester Nos: 6651, 6674, 6676, 6677
Dim: 18-Teeth, 24mm Gear OD
Components: 8-203 Needle Bearing

STARTER - SMALL PARTS (71-, 72-, 76-, 79-)



76-2832

Planetary Shaft

For: Ford PMGR External Thru Bolt Starters
Used On: (2004-00) Jaguar, Lincoln
Unit Nos: Ford 96BB-11000-AA, XW4U-11000-AC, XW4Z-11002-AC; Jaguar C2C-1127
Lester Nos: 6651
Dim: 106mm OAL



79-2101

Contact Kit

For: Ford 4-1/2" DD Starters
Replaces: Ford C2OZ-11134-A
Components:
 72-2102 Insulation Strip
 72-2402 Insulator
 76-2501 Contact Post
 76-2502 Contact Spring w/ Brush
 84-1104 Screw
 84-1328 Screw
 84-2100 Hex Nut
 84-4100 Lock Washer



79-2103

Contact Kit

For: Ford 4-1/2" DD Starters
Replaces: Ford C2OZ-11134-B, C2OZ-11134-C, SZ-750
 (cont'd.)

(cont'd.)

Lester Nos: 3124, 3131, 3132, 3135, 3149

Components:

72-2101 Insulation Strip
 72-2402 Insulator
 76-2500 Contact Post
 76-2502 Contact Spring w/ Brush
 84-1104 Screw
 84-1328 Screw
 84-2100 Hex Nut
 84-4100 Lock Washer



79-2104

Contact Kit

For: Ford 4-1/2" DD Starters

Components:

72-2103 Insulator
 72-2112 Insulation Strip
 76-2503 Contact Post
 76-2504 Contact Spring
 84-1215 Screw
 84-3903 Rivet



79-2106

Contact Kit

For: Ford 4-1/2" Mod I, 4-1/2" Mod II DD Starters

Replaces: Ford D7AZ-11134-A, SZ-740

Lester Nos: 3152, 3153, 3154, 3155, 3157, 3165, 3168, 3169, 3172, 3174, 3176

Components:

72-2404 Insulator
 76-2505 Contact Post
 76-2513 Terminal
 76-2514 Contact Spring
 84-1109 Screw
 84-2100 Hex Nut
 84-3908 Rivet, Copper
 84-3910 Rivet
 84-7100 Insulating Washer

STARTER - SMALL PARTS (71-, 72-, 76-, 79-)

FORD (cont'd.)



79-2108
Contact Kit

For: Ford 4" DD Starters
Replaces: Ford D1FZ-11134-A, SZ-693
Lester Nos: 3148, 3156
Note: Used in starters w/ side terminal

Components:
 72-2100 Insulation Strip
 72-2402 Insulator
 76-2506 Contact Post
 76-2507 Contact Spring w/ Brush
 84-1104 Screw
 84-1328 Screw
 84-2100 Hex Nut
 84-4100 Lock Washer



79-2112
Contact Kit

For: Ford 4" Mod II DD Starters
Replaces: Ford E2PZ-11134-A, SZ-781
Lester Nos: 3133, 3175, 3179, 3180, 3181, 3185, 3187, 3188, 3189, 3191, 3196, 3198

Components:
 72-2410 Insulator
 76-2509 Contact Post
 76-2510 Contact Spring
 84-1106 Screw
 84-1107 Screw
 84-2100 Hex Nuts
 84-3900 Rivet, Copper
 84-3907 Rivet
 84-7100 Insulating Washer



79-2113
Contact Kit

For: Ford 4" Mod I DD Starters
Replaces: Ford D7FZ-11134-A, SZ-741
Lester Nos: 3156, 3158, 3170, 3179

Components:
 72-2109 Insulation Strip
 72-2402 Insulator
 76-2511 Contact Spring
 76-2512 Contact Post
 76-2513 Terminal
 84-1104 Screw
 84-2100 Hex Nut
 84-3900 Rivet, Copper
 84-3912 Rivet



79-2114
Starter Harness Kit

For: Ford PMGR Starters w/ Spade S-Terminal Solenoid when retrofitting early Ford 4", 4-1/2" DD Starters
Note: 79-2114 includes the harness for connecting the solenoid relay switch on the fender to the solenoid S-spade terminal on the PMGR starter.
 Also included are solenoid terminal cover, bundling straps and solenoid battery terminal nut.
 For PMGR starters w/ threaded post S-terminal, use 79-2114-1 kit.

Components:
 76-2114 Cover

STARTER - SMALL PARTS (71-, 72-, 76-, 79-)



79-2114-1 Starter Harness Kit

For: Ford PMGR Starters w/ Threaded Post S-Terminal Solenoid when retrofitting early Ford 4", 4-1/2" DD Starters

Note: 79-2114-1 includes the harness for connecting the solenoid relay switch on the fender to the solenoid S-terminal post on the PMGR starter.

Also included are solenoid terminal cover, bundling straps and solenoid battery terminal nut.

For PMGR starters w/ spade S-terminal, use 79-2114 kit.

Components:
76-2114 Cover



79-2500 Terminal Kit

For: Ford 4-1/2" DD Starters

Replaces: Ford C0DZ-11102-A, C0DZ-11102-C, SZ-656

Dim: 5/16-24 Terminal Post

Components:
72-2400 Insulator
76-2552 Terminal Post
84-2501 Hex Nuts
84-4402 Lock Washer
84-4405 Washer
84-4900 Oval Washer
84-7401 Insulating Washer



79-2501 Terminal Kit

For: Ford 4-1/2" DD Starters

Dim: 5/16-18 Terminal Post

Components:
72-2400 Insulator
76-2550 Terminal Post
84-2407 Hex Nuts
84-4402 Lock Washer
84-4405 Washer
84-4900 Oval Washer
84-7401 Insulating Washer



79-2502 Terminal Kit

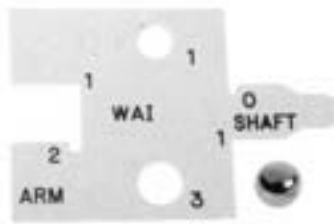
For: Ford 4" DD Starters

Replaces: Ford C6DZ-11102-B, SZ-657

Dim: 5/16-24 Terminal Post

Note: Used in starters w/ side terminal

Components:
72-2113 Insulator
76-2551 Terminal Post
84-2501 Hex Nuts
84-4402 Lock Washer
84-4405 Washer
84-4900 Oval Washer
84-7401 Insulating Washer



79-2825 Ball Kit - Oversize

For: Ford PMGR Starters
(cont'd.)

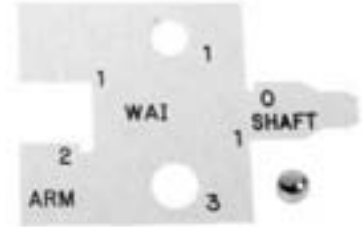
(cont'd.)

Note: Use gauge to determine 1st or 2nd production armatures and 1st or 2nd production drive shafts. Oversize ball is for assembling 2nd production armature with 1st production drive shaft.

Components:
76-2825 Oversize Balls
88-734 Gauges

Features:

- 100 oversize balls, .297" (7.54mm) dia
- 10 gauges



79-2826 Ball Kit - Undersize

For: Ford PMGR Starters

Note: Use gauge to determine 1st or 2nd production armatures and 1st or 2nd production drive shafts. Undersize ball is for assembling 1st production armature with 2nd production drive shaft.

Undersize ball is for assembling 1st production armature with 2nd production drive shaft.

Components:
76-2826 Undersize Balls
88-734 Gauges

Features:

- 100 undersize balls, .234" (5.94mm) dia.
- 10 gauges



76-2808

Retainer - Stationary Gear

For: Ford PMGR Starters

Replaces: Ford N805404-S

Dim: 15.6mm ID x 1.3mm T

Note: Used in 1st prod. planetary shaft w/ 16mm dia. ring groove, Ford No. E9OZ-11355-A

STARTER - SMALL PARTS (71-, 72-, 76-, 79-)

FORD (cont'd.)



76-2819

Retainer - Stationary Gear

For: Ford PMGR Starters

Replaces: Ford 97476-S2

Dim: 17mm ID x 1.1mm T
.67 ID x .043 T

Note: Used in 2nd prod. planetary shaft
w/ 17mm dia. ring groove, Ford No.
F0TZ-11355-A

HITACHI



71-81301

Drain Tube - C.E. Frame

For: Hitachi PMGR Starters

Used On: (1992-88) Nissan

Unit Nos: Hitachi S114-516, A;
S114-525, A

Lester Nos: 16817, 17161

WAI Ref. Nos: 2-1115-HI, 2-1446-HI

Note: Fits 8mm dia. hole



76-81100

Cover - C.E. Bushing

For: Hitachi DD, PMDD, PMGR Starters

Used On: (1995-80) Honda, Melroe,
Nissan, Subaru; Bobcat, Komatsu,
Teledyne Continental, Volvo Penta

Unit Nos: Hitachi S114-182,
S114-232A, S114-237, S114-247,
S114-295, S114-305, S114-315,
S114-316, S114-320A; S114-396, D;
S114-419A, S114-426, S114-517C,
S114-520B; S114-527, A, B; S114-534,
S114-556A, S114-605, S114-607C,
S114-608A, S114-617A, S114-630

Lester Nos: 16194, 16719, 16773,
16774, 16775, 16805, 16843, 16877,
16911, 16985, 16992, 16993, 17057,
17146, 17147, 17454

WAI Ref. Nos: 2-1009-HI, 2-1013-HI,
2-1077-HI, 2-1085-HI, 2-1086-HI,
2-1093-HI, 2-1094-HI, 2-1112-HI,
2-1113-HI, 2-1117-HI, 2-1118-HI,
2-1122-HI, 2-1211-HI, 2-1288-HI,
2-1437-HI, 2-1735-HI

Dim: 44mm OD



76-81801

Vibration Dampener - Stationary Gear

For: Hitachi PMGR Starters

Used On: (1995-86) Nissan

Unit Nos: Hitachi S114-503A;
S114-516, A; S114-517C, S114-519A,
S114-520B; S114-525, A; S114-527, A;
S114-528, S114-534; S114-701A, C

Lester Nos: 16817, 17146, 17161,
17196, 17246, 17454

WAI Ref. Nos: 2-1107-HI, 2-1115-HI,
2-1117-HI, 2-1122-HI, 2-1123-HI,
2-1128-HI, 2-1446-HI

Dim: 58.5mm OD x 16mm W



76-81802

Vibration Dampener - Stationary Gear

For: Hitachi PMGR Starters

Used On: (1994-92) Mercury, Nissan

Unit Nos: Hitachi S114-756, S114-757,
S114-766A, S114-767

Lester Nos: 17146, 17476, 17479

WAI Ref. Nos: 2-1117-HI, 2-1441-HI

Dim: 59mm OD x 14.5mm W



76-81804

Vibration Dampener - Stationary Gear

For: Hitachi PMGR Starters

Used On: (1999-95) Infiniti, Nissan

Unit Nos: Hitachi S114-801A, B, C;
S114-802A, S114-806A, S114-822

Lester Nos: 17146, 17246, 17695,
17713

WAI Ref. Nos: 2-1117-HI, 2-1128-HI,
2-1694-HI, 2-1856-HI, 2-1935-HI



76-82806

Retaining Ring

For: Hitachi DD, OSGR, PMGR
(Armature); Nippondenso 1.0kW, 1.2kW,
1.4kW, 1.6kW, 2.0kW OSGR (Starter
Drive) Starters

Dim: 1.6mm Wire Dia.

Note: Used in 79-81101 stop collar kit
for Hitachi starters.

Used w/ 76-82807 stop collar in
Nippondenso starters.



79-81101

Stop Collar Kit

For: Hitachi DD, OSGR, PMDD, PMGR
Starters

Used On: (1995-70) Honda, Nissan,
Subaru; Komatsu, Melroe, Nissan Lift
Truck, Teledyne Continental,
Wisconsin-Robin, Yanmar

Lester Nos: 16194, 16203, 16207,
16209, 16211, 16579, 16711, 16732,
16773, 16774, 16775, 16805, 16811,
16843, 16918, 16991, 16992, 16993,
17057, 17146, 17147, 17161, 17454

Dim: 12.5mm ID x 17mm OD x
4.5mm W Collar

1.6mm Wire Dia. Ring

Components:

76-82806 Retaining Ring



79-81102

Stop Collar Kit

For: Hitachi OSGR Starters

Used On: (1994-78) Chevrolet, Infiniti,
Isuzu, Nissan, Pontiac, Volvo; Massey
Ferguson, Mustang Manufacturing Co.,
Nissan Lift Truck, Thermo King

Lester Nos: 16584, 16611, 16694,
16733, 16740, 16772, 16803, 16806,
16807, 16809, 16811, 16813, 16814,
16816, 16982, 16986, 16997, 17018,
17069, 17088, 17104, 17138, 17145,
17178

Dim: 12mm ID x 20mm OD x 8mm W
Collar

1.6mm Wire Dia. Ring



79-81107
Mounting Shim Kit

For: Hitachi Hi-Performance OSGR Conversion Starters w/ Pad Mount used on Chevrolet V8 Engines

Note: Used on WAI starters: 2-2201-HI-1, -2; 2-2202-HI-1, -2



79-92103
Brake Kit

For: Lucas 2M113, M45G, M50, M127 Series DD Starters

Replaces: Lucas 54243852



79-92104
Bushing Kit

For: Lucas M50, M127 Series DD Starters

Unit Nos: Lucas 26298, 26342, 27518, 27569

Components:

62-92500 C.E. Bushing

62-92600 D.E. Bushing

62-92900 C.S. Bushing

LUCAS



79-92101
Small Parts Kit

For: Lucas M50, M127 Series DD Starters

Replaces: Lucas 54243855

Components:

79-92106 Stop Collar Kit



79-92102
Terminal Kit - Field Coil

For: Lucas M50, M127 Series DD Starters

Replaces: Lucas 172580, 256860, 54258387

STARTER - SMALL PARTS (71-, 72-, 76-, 79-)

LUCAS (cont'd.)



79-92105 Repair Kit

For: Lucas M50, M127 Series DD Starters
Unit Nos: Lucas 27533A, 27536A, 27539A
Components:
 68-9206 Brush
 69-92700 Brush Spring
 79-92101 Small Parts Kit
 79-92103 Brake Kit
 79-92104 Bushing Kit
 79-92300 Seal Kit



79-92300 Seal Kit

For: Lucas M50, M127 Series DD Starters
Replaces: Lucas 54244971, 60600020

MANDO



71-83100 Seal - Stationary Gear

For: Mando, Mitsubishi PMGR Starters
Used On: (2005-85) AMC, Chevrolet, Chrysler, Dodge, Eagle, Ford, Geo, Hyundai, Infiniti, Jeep, Mazda, Mercury, Mitsubishi, Nissan, Plymouth, Subaru, Suzuki; Caterpillar, Clark
Lester Nos: 16874, 888, 889, 900, 930, 931, 932, 933, 939, 998; 17006, 046, 131, 132, 133, 142, 146, 151, 161, 166, 167, 175, 176, 180, 185, 192, 194, 206, 217, 221, 246, 266, 425, 448, 451, 461, 467, 469, 470, 478, 479, 480, 505, 514, 539, 541, 557, 559, 561, 564, 599, 686, 689, 708, 719, 722, 723, 726, 739, 767, 796
Dim: 53mm ID x 70mm OD x 8mm H
Features:
 71-83100 & 71-83105 are similar except:
 71-83100: 8mm overall height
 71-83105: 5mm overall height



71-83302 Drain Tube - C.E. Frame

For: Mando PMGR; Mitsubishi PLGR Starters
Used On: (2000-92) Ford 7.3L (Diesel); Hyundai
Unit Nos: Mando MP112033, MP112040, MP112042; Mitsubishi M8T50071, M8T50171, M8T50172
Lester Nos: 16939, 17217, 17505, 17577, 17578
WAI Ref. Nos: 2-1174-MD, 2-1178-MD, 2-1747-MI, 2-1748-MI
Note: Fits 10mm dia. hole



76-83810 Stationary Gear

For: Mando, Mitsubishi PMGR Starters
Used On: (2005-85) AMC, Chevrolet, Chrysler, Dodge, Eagle, Ford, Geo, Hyundai, Infiniti, Jeep, Mazda, Mercury, Mitsubishi, Nissan, Plymouth, Subaru, Suzuki; Caterpillar, Clark
 (cont'd.)

STARTER - SMALL PARTS (71-, 72-, 76-, 79-)

(cont'd.)

Lester Nos: 16874, 888, 889, 900, 930, 931, 932, 933, 939, 998; 17006, 046, 131, 132, 133, 142, 146, 151, 161, 166, 167, 175, 176, 180, 185, 192, 194, 206, 217, 221, 246, 266, 425, 448, 451, 461, 467, 469, 470, 478, 479, 480, 505, 507, 514, 539, 541, 557, 559, 564, 566, 599, 686, 689, 708, 709, 719
Dim: 43-Teeth, 49mm Gear ID

MITSUBA



71-82316

Drain Tube - C.E. Frame

For: Mitsuba PMOSGR; Nippondenso* 1.0kW, 1.2kW OSGR Starters

Used On: (2002-80) Acura, Chevrolet, Honda, Isuzu, Subaru, Toyota; Harley-Davidson

Unit Nos: Mitsuba SM442-01, SM442-02-OW, SM442-08-1N, SM442-09-1R, SM442-10-1K; Nippondenso 028000-454, 028000-730, 028000-732, 028000-739, 128000-028, 128000-218, 128000-508, 128000-570, 128000-575, 128000-719, 228000-021

Lester Nos: 16248, 16585, 16761, 16913, 17050, 17143, 17170, 17254, 17721, 17728, 17729, 17741, 17742

WAI Ref. Nos: 2-1012-ND, 2-1025-ND, 2-1035-ND, 2-1067-ND, 2-1216-ND, 2-1243-ND, 2-1791-ND, 2-1867-MT, 2-1938-MT, 2-1939-MT, 2-1940-MT, 2-1941-MT

Note: Fits 8mm square hole.

*Used in starters w/ stamped steel C.E. frame.



71-85300

Boot - Motor Lead

For: Mitsuba OSGR Starters

Used On: (1995-84) Acura, Honda

Unit Nos: Mitsuba SM302-02, SM302-04, SM302-07, SM302-08, SM302-16, SM302-18, SM302-22, SM302-24, SM302-25, SM302-28, SM302-44, SM302-45, SM302-46, SM302-48

Lester Nos: 16845, 16901, 16902, 16914, 17052, 17156, 17160, 17491

WAI Ref. Nos: 2-1000-MT, 2-1011-MT, 2-1012-MT, 2-1014-MT, 2-1017-MT, 2-1018-MT, 2-1528-MT



71-85302

Boot - Motor Lead

For: Mitsuba OSGR Starters

Used On: (2001-90) Acura, Honda, Isuzu

Unit Nos: Mitsuba SM402-03, SM402-04, SM402-05, SM402-05N, SM402-10N, SM402-11N, SM402-12N, SM402-13N, SM402-15N, SM402-16N, SM422-02, SM422-03, SM422-07, SM422-08, SM422-09, SM422-10, SM422-14, SM422-16, SM422-19, SM422-27, SM422-28, SM442-23, SM442-24

Lester Nos: 16902, 16960, 16975, 17201, 17205, 17433, 17474, 17527, 17591, 17661, 17675, 17693, 17712, 17743, 17744

WAI Ref. Nos: 2-1012-MT, 2-1019-MT, 2-1020-MT, 2-1021-MT, 2-1022-MT, 2-1521-MT, 2-1523-MT, 2-1524-MT, 2-1798-MT, 2-1868-MT, 2-1869-MT, 2-1870-MT, 2-1871-MT, 2-1993-MT



76-1841

Expansion Plug

For: Delco 10MT, SD300 (D.E.); 30MT*, 35MT* (L.H.) Series DD; Mitsuba OSGR (Pinion Gear) Starters

Replaces: Delco 9419572

Dim: 16mm (5/8") Dia.

Note: *Internal rotatable starters

MITSUBISHI



55-83400

Support - Shift Lever

For: Mitsubishi DD Starters

Note: Used w/ 55-8303 shift lever



58-83508

Pole Shoe

For: Mitsubishi OSGR Starters

Used On: (1994-85) Ford 6.9L, 7.3L (Diesel)

Unit Nos: Mitsubishi M3T90071, M3T90072

Lester Nos: 17037

WAI Ref. Nos: 2-1254-MI

Dim: 53mm L x 19mm W

Note: Aftermarket design pole shoe w/ M10 x 1.5 thd. hole used w/ 59-8303 field coil, 85-1506 pole shoe screws



58-83509

Pole Shoe

For: Mitsubishi PLGR Starters

Used On: (2000-94) Ford 7.3L (Diesel)

Unit Nos: Mitsubishi M8T50071, M8T50171

Lester Nos: 17577, 17578

WAI Ref. Nos: 2-1747-MI, 2-1748-MI

Dim: 53mm L x 30mm W

Note: Aftermarket design pole shoe w/ M10 x 1.5 thd. hole used w/ 59-8304 field coil, 85-1504 pole shoe screws



71-82507

O-Ring - Brush Holder Screw

For: Mitsubishi PLGR; Nippondenso* 1.2kW, 1.4kW, 1.6kW OSGR Starters

Dim:

4mm ID x 7.5mm OD x 1.8mm W

5/32" ID x 5/16" OD x 1/16" W

Note: *Used in starters w/ cast aluminum C.E. frame

STARTER - SMALL PARTS (71-, 72-, 76-, 79-)

MITSUBISHI (cont'd.)



71-83100

Seal - Stationary Gear

For: Mando, Mitsubishi PMGR Starters
Used On: (2005-85) AMC, Chevrolet, Chrysler, Dodge, Eagle, Ford, Geo, Hyundai, Infiniti, Jeep, Mazda, Mercury, Mitsubishi, Nissan, Plymouth, Subaru, Suzuki; Caterpillar, Clark

Lester Nos: 16874, 888, 889, 900, 930, 931, 932, 933, 939, 998; 17006, 046, 131, 132, 133, 142, 146, 151, 161, 166, 167, 175, 176, 180, 185, 192, 194, 206, 217, 221, 246, 266, 425, 448, 451, 461, 467, 469, 470, 478, 479, 480, 505, 514, 539, 541, 557, 559, 561, 564, 599, 686, 689, 708, 719, 722, 723, 726, 739, 767, 796

Dim: 53mm ID x 70mm OD x 8mm H

Features:

71-83100 & 71-83105 are similar except:

71-83100: 8mm overall height

71-83105: 5mm overall height



71-83101

Seal - Stationary Gear

For: Mitsubishi PLGR Starters
Used On: (2000-94) Ford 7.3L (Diesel)
Unit Nos: Mitsubishi M8T50071, M8T50171

Lester Nos: 17577, 17578

WAI Ref. Nos: 2-1747-MI, 2-1748-MI



71-83102

Seal - D.E. Housing

For: Mitsubishi PLGR Starters
Used On: (2000-94) Ford 7.3L (Diesel)
Unit Nos: Mitsubishi M8T50071, M8T50171, M8T50172

Lester Nos: 17577, 17578

WAI Ref. Nos: 2-1747-MI, 2-1748-MI

Dim: 20mm ID x 38mm OD



71-83105

Seal - Stationary Gear

For: Mitsubishi PMGR Starters
Used On: (2005-92) Chrysler, Dodge, Eagle, Infiniti, Mazda, Mitsubishi, Nissan, Plymouth, Subaru, Suzuki

Replaces: Mazda FP13-18-X87, Mitsubishi Motors MD618547, Nissan 23385-50Y12

Unit Nos: Mitsubishi MOT60081, MOT60082, MOT60181, MOT60186, MOT60187, MOT70381, MOT70481, MOT80081, MOT80281, MOT80381, MOT80581, MOT80783, MOT80784, MOT81081, MOT81281, MOT81284, MOT81381, MOT81681, MOT82281, MOT83981, MOT84381, MOT84881ZC, MOT85081, MOT85881, MOT85981, MOT86481, MOT91181ZC

Lester Nos: 17214, 450, 592, 683, 685, 688, 691, 717, 718, 734, 738, 740, 765, 766, 772, 775, 783, 795, 797, 829; 18096

Dim: 53mm ID x 67mm OD x 5mm H

Features:

71-83100 & 71-83105 are similar except:

71-83100: 8mm overall height

71-83105: 5mm overall height



71-83302

Drain Tube - C.E. Frame

For: Mando PMGR; Mitsubishi PLGR Starters

Used On: (2000-92) Ford 7.3L (Diesel); Hyundai

Unit Nos: Mando MP112033, MP112040, MP112042; Mitsubishi M8T50071, M8T50171, M8T50172

Lester Nos: 16939, 17217, 17505, 17577, 17578

WAI Ref. Nos: 2-1174-MD,

2-1178-MD, 2-1747-MI, 2-1748-MI

Note: Fits 10mm dia. hole



71-83500

Seal - Field Case to Gear Hsg.

For: Mitsubishi OSGR Starters

Used On: (1994-85) Ford 6.9L, 7.3L (Diesel)

Unit Nos: Mitsubishi M3T90071, M3T90072

Lester Nos: 17037

WAI Ref. Nos: 2-1254-MI



71-83501

O-Ring - Field Case

For: Mitsubishi PLGR Starters

Used On: (2000-94) Ford 7.3L (Diesel)

Unit Nos: Mitsubishi M8T50071, M8T50171, M8T50172

Lester Nos: 17577, 17578

WAI Ref. Nos: 2-1747-MI, 2-1748-MI

Dim:

80mm ID x 83mm OD x 1.5mm W

3-1/8" ID x 3-1/4" OD x 1/16" W

STARTER - SMALL PARTS (71-, 72-, 76-, 79-)



72-83101

Insulator - Field Coil

For: Mitsubishi OSGR Starters
Used On: (1994-85) Ford 6.9L, 7.3L (Diesel)
Unit Nos: Mitsubishi M3T90071, M3T90072
Lester Nos: 17037
WAI Ref. Nos: 2-1254-MI
Note: Used in 79-83107 Field Coil Terminal Kit



72-83102

Insulator

For: Mitsubishi PLGR, OSGR Starters
Lester Nos: 17037, 17577, 17578
Dim: 60.5mm L x 31.5mm W
Note: Included in 68-83800 brush kit. Insulates brush clip connection from field case.



76-1800

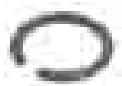
Stop Collar

For: Delco 5MT, 8MT, 10MT, SD200, SD205, SD210, SD250, SD255, SD260, SD300 Series DD; PG100, PG150, PG200, PG250, PG260D, PG260F1, PG260F2, PG260G, PG260L, PG260M Series PMGR; Mitsubishi PMGR Starters
Replaces: Delco 1927849
Dim: 12mm ID x 17.3mm OD x 4.3mm W
Note: Used w/ 76-1801 retaining ring

76-1800-1

Stop Collar

Same as 76-1800 except...
Features:
 • Mfd. by OE Supplier



76-1801

Retaining Ring

For: Delco 5MT, 8MT, 10MT, SD200, SD205, SD210, SD250, SD255, SD260, SD300 Series DD; PG100, PG150, PG200, PG250, PG260D, PG260F1, PG260F2, PG260G, PG260L, PG260M Series PMGR; Mitsubishi PMGR Starters
Replaces: Delco 1927848
Dim: 1.6mm Wire Dia.
Note: Used w/ 76-1800 stop collar



76-2812

Ball - Planetary Shaft

For: Ford PMGR Starters; Mitsubishi PLGR, PMGR Starters
Replaces: Ford E9OZ-11A172-A, MCE-443
Dim: .250" (6.3mm) Dia.
Features:
 • Standard size



76-83804

Retaining Ring

For: Mitsubishi OSGR, PLGR Starters
Used On: (2000-82) Dodge, Ford, Mazda, Mitsubishi; Case IH, Gehl, Kobelco America, Mitsubishi Lift Truck, Mitsubishi-Fuso, Nissan Lift Truck, Onan, Toro, Yale
Lester Nos: 16744, 16799, 16853, 16854, 17008, 17036, 17577, 17578
WAI Ref. Nos: 2-1138-MI, 2-1169-MI, 2-1170-MI, 2-1249-MI, 2-1451-MI, 2-1732-MI, 2-1747-MI, 2-1748-MI, 2-1781-MI, 2-1913-MI, 2-1928-MI, 2-1963-MI, 2-2024-MI, 2-2087-MI, 2-2092-MI, 2-2093-MI, 2-2102-MI, 2-2103-MI
Dim: 1.6mm Wire Dia.
Note: Included in 79-83101 stop collar kit



76-83807

Retaining Ring

For: Mitsubishi OSGR Starters
Used On: (1994-85) Ford 6.9L, 7.3L (Diesel)
Unit Nos: Mitsubishi M3T90071, 072
Lester Nos: 17037
WAI Ref. Nos: 2-1254-MI
Dim: 2.3mm Wire Dia.
Note: Included in 79-83105 stop collar kit



76-83810

Stationary Gear

For: Mando, Mitsubishi PMGR Starters
Used On: (2005-85) AMC, Chevrolet, Chrysler, Dodge, Eagle, Ford, Geo, Hyundai, Infiniti, Jeep, Mazda, Mercury, Mitsubishi, Nissan, Plymouth, Subaru, Suzuki; Caterpillar, Clark
Lester Nos: 16874, 888, 889, 900, 930, 931, 932, 933, 939, 998; 17006, 046, 131, 132, 133, 142, 146, 151, 161, 166, 167, 175, 176, 180, 185, 192, 194, 206, 217, 221, 246, 266, 425, 448, 451, 461, 467, 469, 470, 478, 479, 480, 505, 507, 514, 539, 541, 557, 559, 564, 566, 599, 686, 689, 708, 709, 719
Dim: 43-Teeth, 49mm Gear ID



76-83812

Cap - Starter Drive

For: Mitsubishi PMGR Starters
Used On: (1998-90) Mercury, Nissan
Unit Nos: Mitsubishi M0T60081, M1T60281, M1T60285, M1T60381, M1T64285
Lester Nos: 17425, 17479, 17685
WAI Ref. Nos: 2-1121-MI, 2-1444-MI, 2-1772-MI, 2-1847-MI
Dim: 17.5mm OD
Note: Used w/ 54-8325, 54-8327 starter drives

STARTER - SMALL PARTS (71-, 72-, 76-, 79-)

MITSUBISHI (cont'd.)



76-83815
Stationary Gear

For: Mitsubishi PLGR Starters
Used On: (2000-94) Ford 7.3L (Diesel)
Unit Nos: Mitsubishi M8T50071, M8T50171
Lester Nos: 17577, 17578
WAI Ref. Nos: 2-1747-MI, 2-1748-MI
Dim: 44-Teeth, 51m Gear ID
Note: Used w/ 8-8303 needle bearing



76-83816
Cover - D.E. Housing

For: Mitsubishi OSGR Starters
Used On: (1994-85) Ford 6.9L, 7.3L (Diesel)
Unit Nos: Mitsubishi M3T90071, M3T90072
Lester Nos: 17037
WAI Ref. Nos: 2-1254-MI



76-83817
Retaining Ring

For: Mitsubishi DD Starters
Used On: (1986-72) Dodge, Mazda, Mitsubishi, Nissan, Plymouth; Mitsubishi Lift Truck, Nissan Lift Truck, Onan, Yale
Lester Nos: 16203, 209, 210, 211, 268, 500, 513, 514, 519, 520, 522, 524, 527, 579, 581, 582, 588, 671, 708, 728, 729, 741, 793, 794, 795, 805, 858, 859, 938; 17332
Dim: 1.8mm Wire Dia.
Note: Included in 79-83104 stop collar kit



76-83823
Stop Collar

For: Mitsubishi PMGR Starters
Used On: (2006-94) Mercury, Nissan
Unit Nos: Mitsubishi M1T64285, M1T68081; M1T68781, ZC
Lester Nos: 17479, 17767, 17835
WAI Ref. Nos: 2-1772-MI, 2-2343-MI
Dim: 21mm ID x 26mm OD x 5mm W



79-83101
Stop Collar Kit

For: Mitsubishi OSGR, PLGR Starters
Used On: (2000-82) Dodge, Ford, Mazda, Mitsubishi; Case IH, Gehl, Kobelco America, Mitsubishi Lift Truck, Mitsubishi-Fuso, Nissan Lift Truck, Onan, Toro, Yale
Lester Nos: 16744, 16799, 16853, 16854, 17008, 17036, 17577, 17578
WAI Ref. Nos: 2-1138-MI, 2-1169-MI, 2-1170-MI, 2-1249-MI, 2-1451-MI, 2-1732-MI, 2-1747-MI, 2-1748-MI, 2-1781-MI, 2-1913-MI, 2-1928-MI, 2-1963-MI, 2-2024-MI, 2-2087-MI, 2-2092-MI, 2-2093-MI, 2-2102-MI, 2-2103-MI
Dim: 15mm ID x 21mm OD x 6mm W Collar
 1.6mm Wire Dia. Ring
Components:
 76-83804 Retaining Ring



79-83104
Stop Collar Kit

For: Mitsubishi DD Starters
Used On: (1986-72) Dodge, Mazda, Mitsubishi, Nissan, Plymouth; Mitsubishi Lift Truck, Nissan Lift Truck, Onan, Yale
Lester Nos: 16203, 16209, 16210, 16211, 16268, 16500, 16513, 16514, 16519, 16520, 16522, 16524, 16527, 16579, 16581, 16582, 16588, 16671, 16708, 16728, 16729, 16741, 16793, 16794, 16795, 16805, 16858, 16859, 16938, 17332
Dim: 13mm ID x 17.5mm OD x 6.8mm W Collar
 1.8mm Wire Dia. Ring
Components:
 76-83817 Retaining Ring



79-83105
Stop Collar Kit

For: Mitsubishi OSGR Starters
Used On: (1994-85) Ford 6.9L, 7.3L (Diesel)
Unit Nos: Mitsubishi M3T90071, M3T90072
Lester Nos: 17037
WAI Ref. Nos: 2-1254-MI
Dim: 13mm ID x 17.5mm OD x 6.8mm W Collar
 1.8mm Wire Dia. Ring
Components:
 76-83807 Retaining Ring

STARTER - SMALL PARTS (71-, 72-, 76-, 79-)



79-83107

Terminal Kit - Field Coil

For: Mitsubishi OSGR Starters

Used On: (1994-85) Ford 6.9L, 7.3L (Diesel)

Unit Nos: Mitsubishi M3T90071, M3T90072

Lester Nos: 17037

WAI Ref. Nos: 2-1254-MI

Components:

71-1501 O-Ring 5/16 ID x 7/16 OD

72-83101 Insulator

84-2401 Nut

84-4402 Lock Washer

84-4407 Lock Washer



79-83109

Repair Kit

12 Volt

For: Mitsubishi OSGR Starters

Used On: (1994-85) Ford 6.9L, 7.3L (Diesel)

Unit Nos: Mitsubishi M3T90071, M3T90072

Lester Nos: 17037

WAI Ref. Nos: 2-1254-MI

Components:

6-103-4 Ball Bearing, Armature Front

6-201-4 Ball Bearing, Armature Rear

6-205-4 Ball Bearing, Drive Shaft

62-83600 Bushing, D.E. Housing

68-8309 Brush

68-8308-1 Brush, Field (w/ clip)

71-1504 O-Ring 1/4 ID x 3/8 OD

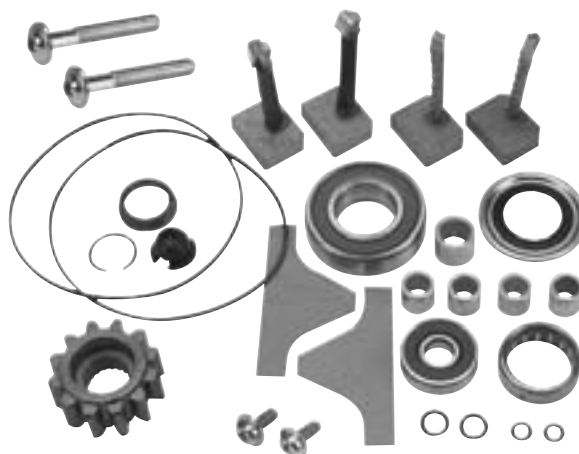
71-83500 Seal, Field Case to Gear Hsg.

72-83102 Insulating Paper

76-83807 Retaining Ring

79-83300 Seal Kit, Field Case

85-1336 Screw, Solenoid Mtg.



79-83110

Repair Kit

For: Mitsubishi PLGR Starters

Used On: (2000-94) Ford 7.3L (Diesel)

Unit Nos: Mitsubishi M8T50071, M8T50171, M8T50172

Lester Nos: 17577, 17578

WAI Ref. Nos: 2-1747-MI, 2-1748-MI

Components:

10-1041-4 Ball Bearing

54-83218 Pinion

62-83301 Bushing

62-83302 Bushing

6-629-4 Ball Bearing

68-8308-1 Brush

68-8309 Brush

71-1504 O-Ring

71-82507 O-Ring

71-83102 Seal

71-83302 Drain Tube

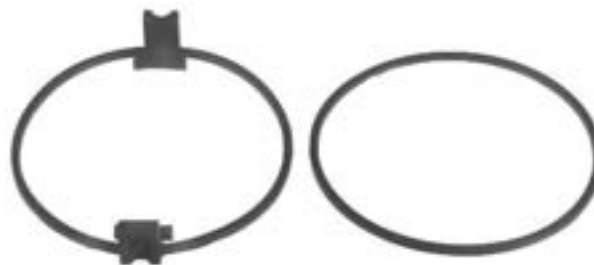
71-83501 O-Ring

72-83102 Insulator

79-83101 Stop Collar Kit

85-1347 Screw

85-1336 Screw



79-83300

Seal Kit - Field Case

For: Mitsubishi OSGR Starters

Used On: (1994-85) Ford 6.9L, 7.3L (Diesel)

Unit Nos: Mitsubishi M3T90071, M3T90072

Lester Nos: 17037

WAI Ref. Nos: 2-1254-MI

STARTER - SMALL PARTS (71-, 72-, 76-, 79-)

NIPPONDENSO



55-82401

Support - Shift Lever

For: Nippondenso PLGR Starters
Used On: (2001-89) Chevrolet, Geo, Honda, Isuzu, Suzuki, Toyota
Unit Nos: Nippondenso 128000-568, -621, -642, -740, -853, -889; 228000-402, -403, -646, -673, -675, -676
Lester Nos: 17142, 17203, 17252, 17253, 17679, 17680, 17703
WAI Ref. Nos: 2-1189-ND, 2-1201-ND, 2-1543-ND, 2-1544-ND, 2-1693-ND, 2-1839-ND, 2-1840-ND, 2-1841-ND, 2-1958-ND, 2-1959-ND
Note: Used w/ 55-8201 shift lever & 55-82403 shift lever pad



55-82402

Support - Shift Lever

For: Nippondenso PLGR Starters
Used On: (2005-00) Acura, Honda, Toyota
Unit Nos: Nippondenso 228000-833, 228000-854, 228000-855, 428000-032
Lester Nos: 17803, 17805, 17806, 17845
WAI Ref. Nos: 2-2050-ND, 2-2057-ND, 2-2058-ND, 2-2331-ND
Note: Used w/ 55-8201 shift lever & 55-82404 shift lever pad



55-82403

Pad - Shift Lever Support

For: Nippondenso PLGR Starters
Used On: (2001-89) Chevrolet, Geo, Honda, Isuzu, Suzuki, Toyota
Unit Nos: Nippondenso 128000-568, -621, -642, -740, -853, -889; 228000-402, -403, -646, -673, -675, -676
 (cont'd.)

(cont'd.)

Lester Nos: 17142, 17203, 17252, 17253, 17679, 17680, 17703
WAI Ref. Nos: 2-1189-ND, 2-1201-ND, 2-1543-ND, 2-1544-ND, 2-1693-ND, 2-1839-ND, 2-1840-ND, 2-1841-ND, 2-1958-ND, 2-1959-ND
Note: Used w/ 55-8201 shift lever & 55-82401 shift lever support



55-82404

Pad - Shift Lever Support

For: Nippondenso PLGR Starters
Used On: (2005-00) Acura, Honda, Toyota
Unit Nos: Nippondenso 228000-833, 228000-854, 228000-855, 428000-032
Lester Nos: 17803, 17805, 17806, 17845
WAI Ref. Nos: 2-2050-ND, 2-2057-ND, 2-2058-ND, 2-2331-ND
Note: Used w/ 55-8201 shift lever & 55-82402 shift lever support



71-82102

Oil Seal - Starter Drive

For: Nippondenso 2.5kW, 4.5kW OSGR Starters
Used On: Case, Cummins
Unit Nos: Nippondenso 028000-588, 028000-601, 028000-745, 028000-856, 128000-021, 128000-054, 128000-101, 128000-227, 128000-411, 128000-509, 128000-530
Lester Nos: 16658, 16990
WAI Ref. Nos: 2-1526-ND, 2-1726-ND
Dim: 21.5mm OD x 3mm W
 Fits 16.45mm Dia. Shaft
Note: Used in 54-82409 clutch assy.



71-82300

Boot - Motor Lead (Blue)

For: Nippondenso 1.0kW, 1.2kW, 1.4kW OSGR Starters



71-82301

Boot - Motor Lead (Gray)

For: Nippondenso 1.0kW, 1.2kW, 1.4kW OSGR Starters



71-82302

Drain Tube - C.E. Frame

For: Nippondenso DD, OSGR Starters
Lester Nos: 16215, 218, 222, 245, 468, 600, 614, 656, 657, 658, 696, 707, 766, 790, 800, 804, 823, 824, 829, 830, 832, 837, 879, 884, 905, 906, 910, 911, 967, 978, 979, 981, 990; 17003, 058, 083, 091, 117, 129, 169, 187, 255, 274, 297, 302, 362, 391, 494, 525, 619
Note: Fits 10mm dia. hole



71-82303

Boot - Motor Lead

For: Nippondenso 2.5kW, 3.0kW, 5.5kW OSGR Starters
Used On: (2000-81) Chevrolet, Dodge, Toyota; Allis-Chalmers, Daihatsu, Case, Caterpillar, Cummins, GMC Truck, Hino, Isuzu Truck, John Deere, Komatsu, Kubota, Teledyne Continental, Toyota Lift Truck, White, Yanmar
Lester Nos: 16656, 16658, 16824, 16830, 16881, 16967, 16981, 16990, 17215, 17302, 17362, 17391, 17548
 (cont'd.)

STARTER - SMALL PARTS (71-, 72-, 76-, 79-)

(cont'd.)

WAI Ref. Nos: 2-1037-ND, 2-1047-ND, 2-1397-ND, 2-1526-ND, 2-1726-ND, 2-1730-ND, 2-1731-ND, 2-1739-ND, 2-1745-ND, 2-1750-ND, 2-1751-ND, 2-1752-ND, 2-1753-ND, 2-2104-ND, 2-2122-ND

Note: Fits motor terminal insulators w/ 30mm OD



71-82304

Boot - Motor Lead

For: Nippondenso 1.0kW, 1.2kW OSGR Starters

Used On: (1989-86) Chrysler, Dodge, Plymouth

Unit Nos: Nippondenso 128000-257, 128000-258

Lester Nos: 16849, 17007

WAI Ref. Nos: 2-1385-ND

Note: For starters w/ extended flag terminal



71-82305

Boot - Motor Lead

For: Nippondenso 1.6kW, 2.0kW OSGR Starters

Used On: (1996-86) Acura, Dodge, Lexus, Sterling

Unit Nos: Nippondenso 128000-057, 128000-283, 128000-738, 228000-024

Lester Nos: 16839, 17189, 17547

WAI Ref. Nos: 2-1002-ND, 2-1075-ND, 2-1716-ND, 2-1744-ND

Note: Fits motor terminal insulators w/ 20mm OD



71-82306

Grommet - Motor Lead

For: Nippondenso 1.0kW OSGR Starters

Used On: (1998-72) Chevrolet, Chrysler, Daihatsu, Dodge, Honda, Isuzu, Lexus, Plymouth, Subaru, Toyota; Ishikawajima, John Deere, Kubota, Yanmar

Lester Nos: 16248, 251, 585, 586, 612, 730, 736, 737, 746, 761, 763, 786, 821, 825, 826, 827, 828, 833, 849, 878, 891, 892, 893, 895, 913; 17007, 050, 143, 155, 171, 251, 254, 264, 265, 298, 420, 421, 483, 487, 495, 520, 521, 666, 681, 682

Note: Blue color. Used w/ round-wire field coils.

Similar to 71-82309 except 71-82309 is gray color, used w/ flat-wire field coils.



71-82307

Grommet - Motor Lead

For: Nippondenso 1.4kW, 2.0kW OSGR Starters

Used On: (1996-74) Dodge, Lexus, Toyota; Allis-Chalmers, Carrier, Caterpillar, Ishikawajima, Kubota, Thermo King

Unit Nos: Nippondenso 028000-402, 028000-451, 028000-582, 028000-635, 028000-755, 028000-774, 028000-782, 028000-783, 028000-813, 028000-823, 028000-838, 128000-057, 128000-228, 128000-738, 228000-024

Lester Nos: 16578, 16674, 16758, 16759, 17100, 17189, 17547

WAI Ref. Nos: 2-1024-ND, 2-1075-ND, 2-1439-ND, 2-1716-ND, 2-1737-ND, 2-1744-ND, 2-1960-ND, 2-2131-ND



71-82308

Grommet - Motor Lead

For: Nippondenso* 1.4kW, 1.6kW OSGR Starters

Used On: (1997-81) Acura, Cadillac, Chevrolet, Chrysler, Daihatsu, Dodge, Geo, Honda, Lexus, Plymouth, Sterling, Subaru, Toyota; Carrier, Caterpillar, Ford New Holland, Teledyne Continental, Thermo King, Toyota Lift Truck

Lester Nos: 16600, 16657, 16696, 16737, 16790, 16800, 16802, 16823, 16829, 16834, 16835, 16837, 16839, 16884, 16905, 16906, 16978, 16979, 17002, 17003, 17020, 17083, 17084, 17091, 17117, 17125, 17129, 17169, 17255, 17256, 17297, 17422, 17494, 17523, 17525, 17619

Note: *Used in starters w/ cast aluminum C.E. frame



71-82309

Grommet - Motor Lead

For: Nippondenso 1.2kW OSGR Starters

Used On: (1991-81) Chrysler, Dodge, Honda, Isuzu, Plymouth, Subaru

Unit Nos: Nippondenso 028000-696, 128000-258, 128000-508, 128000-563, 128000-569, 128000-719

Lester Nos: 16676, 16849, 16878, 16913, 17007, 17050, 17155, 17170, 17421, 17457

WAI Ref. Nos: 2-1012-ND, 2-1197-ND, 2-1198-ND, 2-1216-ND, 2-1381-ND, 2-1385-ND

Note: Gray color. Used w/ flat-wire field coils. Similar to 71-82306 except 71-82306 is blue color, used w/ round-wire field coils.

STARTER - SMALL PARTS (71-, 72-, 76-, 79-)

NIPPONDENSO (cont'd.)



71-82310

Grommet - Motor Lead

For: Nippondenso 1.2kW, 1.4kW OSGR Starters

Used On: (2005-90) Acura, Chevrolet, Chrysler, Dodge, Eagle, Geo, Honda, Isuzu, Lexus, Plymouth, Subaru, Toyota; Harley-Davidson, Kubota, Melroe, Thermo King

Lester Nos: 16831, 16878, 17020, 17170, 17197, 17202, 17204, 17216, 17240, 17242, 17256, 17259, 17263, 17273, 17285, 17400, 17423, 17424, 17460, 17464, 17466, 17481, 17485, 17493, 17516, 17517, 17519, 17524, 17526, 17529, 17532, 17537, 17546, 17549, 17562, 17570, 17571, 17573, 17574, 17579



71-82311

Drain Tube - C.E. Frame, Solenoid

For: Nippondenso 1.2kW, 1.4kW, 3.0kW OSGR Starters

Used On: (1995-84) Chevrolet, Chrysler, Dodge, Geo, Honda, Isuzu, Plymouth, Toyota; Caterpillar, Ford New Holland, GMC Truck, Isuzu Truck, Kubota, Teledyne Continental

Lester Nos: 16834, 16835, 16881, 17002, 17020, 17084, 17125, 17202, 17204, 17215, 17256, 17285, 17422

WAI Ref. Nos: 2-1049-ND, 2-1060-ND, 2-1064-ND, 2-1074-ND, 2-1200-ND, 2-1202-ND, 2-1203-ND, 2-1383-ND, 2-1394-ND, 2-1397-ND, 2-1401-ND, 2-1405-ND, 2-1745-ND, 2-1753-ND, 2-2047-ND

Note: Fits 12mm dia. hole



71-82312

Drain Tube - C.E. Frame

For: Nippondenso 1.2kW, 1.4kW OSGR, PLGR Starters

(cont'd.)

(cont'd.)

Used On: (2005-90) Acura, Chevrolet, Chrysler, Dodge, Eagle, Geo, Honda, Isuzu, Lexus, Plymouth, Subaru, Toyota; Cummins, Hyster, Kubota, Link-Belt Construction, Melroe, Thermo King

Lester Nos: 16831, 878; 17020, 170, 197, 202, 203, 204, 216, 240, 242, 252, 253, 256, 259, 263, 273, 400, 423, 424, 460, 464, 465, 466, 481, 485, 487, 493, 516, 517, 519, 523, 524, 526, 529, 530, 531, 532, 533, 534, 535, 536, 537, 546, 547, 548, 562, 570, 571, 573, 574, 579, 581, 584, 668, 672, 679, 680, 687, 700, 707, 711, 715, 716, 727, 737, 747, 774, 777

Note: Fits 6mm dia. hole w/ 2.2mm wall thickness



71-82313

Plug - Solenoid

For: Nippondenso 1.0kW, 1.4kW, 2.0kW OSGR Starters

Used On: (1989-75) Chrysler, Dodge, Plymouth, Toyota

Note: Plugs 9mm switch or relay terminal hole in solenoid housing when not used or location has been changed



71-82314

Grommet - Field Case

For: Nippondenso 3.0kW, 5.5kW OSGR Starters

Used On: (1993-89) Chevrolet, Dodge; GMC Truck, Isuzu Truck

Unit Nos: Nippondenso 128000-049, 128000-245, 128000-247, 128000-256, 128000-274, 128000-422, 128000-491, 128000-537, 128000-551, 128000-562, 128000-572, 128000-573, 228000-331, 228000-332, 228000-573, 228000-585, 228000-7001

Lester Nos: 16881, 17215, 17391

WAI Ref. Nos: 2-1397-ND, 2-1745-ND, 2-1751-ND, 2-2122-ND



71-82316

Drain Tube - C.E. Frame

For: Mitsuba PMOSGR; Nippondenso* 1.0kW, 1.2kW OSGR Starters

Used On: (2002-80) Acura, Chevrolet, Honda, Isuzu, Subaru, Toyota; Harley-Davidson

Unit Nos: Mitsuba SM442-01, SM442-02-OW, SM442-08-1N, SM442-09-1R, SM442-10-1K; Nippondenso 028000-454, 028000-730, 028000-732, 028000-739, 128000-028, 128000-218, 128000-508, 128000-570, 128000-575, 128000-719, 228000-021

Lester Nos: 16248, 16585, 16761, 16913, 17050, 17143, 17170, 17254, 17721, 17728, 17729, 17741, 17742

WAI Ref. Nos: 2-1012-ND, 2-1025-ND, 2-1035-ND, 2-1067-ND, 2-1216-ND, 2-1243-ND, 2-1791-ND, 2-1867-MT, 2-1938-MT, 2-1939-MT, 2-1940-MT, 2-1941-MT

Note: Fits 8mm square hole.

*Used in starters w/ stamped steel C.E. frame.



71-82317

Drain Tube - Solenoid

For: Nippondenso 1.0kW, 1.2kW, 1.4kW OSGR Starters

Used On: (2005-83) Acura, Dodge, Geo, Honda, Isuzu, Lexus, Toyota; Bobcat, Cummins, John Deere, Kubota, Thermo King, Toyota Lift Truck

Lester Nos: 16827, 16831, 16895, 17202, 17204, 17251, 17259, 17362, 17424, 17487, 17493, 17520, 17521, 17523, 17526, 17529, 17530, 17531, 17533, 17535, 17536, 17537, 17666, 17668, 17672, 17681, 17682, 17706, 17707, 17711

Note: Fits 6mm dia. hole w/ 2.7mm wall thickness

STARTER - SMALL PARTS (71-, 72-, 76-, 79-)



71-82321

Boot - Motor Lead

For: Nippondenso 1.0kW, 1.2kW OSGR Starters

Used On: (1995-84) Honda

Unit Nos: Nippondenso 128000-028, 128000-508, 228000-021, 228000-079

Lester Nos: 16913, 17050

WAI Ref. Nos: 2-1012-ND, 2-2036-ND



71-82322

Grommet - Motor Lead

For: Nippondenso 2.5kW, 4.5kW OSGR Starters

Used On: (2000-81) Dodge, Toyota; Allis-Chalmers, Case, Caterpillar, Cummins, Daihatsu, Hino, Isuzu Truck, John Deere, Komatsu, Kubota, Mitsui-Deutz, Teledyne Continental, Toyota Lift Truck, Versatile, White, Yanmar

Lester Nos: 16614, 16656, 16658, 16824, 16830, 16981, 16990, 17302, 17362, 17548

WAI Ref. Nos: 2-1037-ND, 2-1047-ND, 2-1526-ND, 2-1726-ND, 2-1731-ND, 2-1739-ND, 2-1750-ND, 2-1752-ND, 2-1753-ND, 2-1754-ND, 2-2106-ND



71-82324

Seal - Shift Lever

For: Nippondenso 1.6kW PMGR Starters

Used On: (2006-02) Lexus, Pontiac, Scion, Toyota

Unit Nos: GM 88969483; Nippondenso 228000-990, 428000-034; Toyota 28100-0D080, -28041

Lester Nos: 17825, 17841

WAI Ref. Nos: 2-2212-ND, 2-2360-ND



71-82325

Drain Tube - Solenoid

For: Nippondenso OSGR, PLGR Starters
Used On: (2005-98) Acura, Chevrolet, Honda, Toyota

Unit Nos: GM 94857220; Honda 31200-PLR-A01, -A02; Nippondenso 228000-631, -666; 428000-032; Toyota, 28100-0D010, -0D02

Lester Nos: 17727, 17737, 17845

WAI Ref. Nos: 2-1892-ND, 2-1944-ND, 2-2331-ND



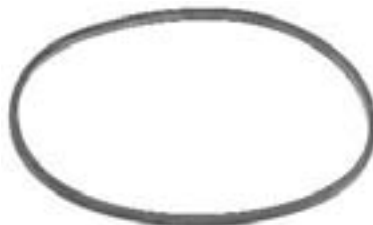
71-82502

O-Ring - Brush Holder Screw

For: Delco 28MT Series OSGR, 39MT Series PLGR; Nippondenso 4.0kW DD Starters

Dim:

5mm ID x 8mm OD x 1.8mm W
3/16" ID x 5/16" OD x 1/16" W



71-82504

O-Ring - Field Case

For: Nippondenso* 1.0kW, 1.4kW, 1.8kW OSGR Starters

Lester Nos: 16236, 16248, 16249, 16251, 16578, 16585, 16586, 16600, 16672, 16674, 16696, 16739, 16758, 16759, 16760, 17100, 17169

WAI Ref. Nos: 2-1005-ND, 2-1007-ND, 2-1024-ND, 2-1025-ND, 2-1026-ND, 2-1029-ND, 2-1036-ND, 2-1193-ND, 2-1206-ND, 2-1415-ND, 2-1439-ND, 2-1737-ND, 2-1742-ND, 2-1960-ND, 2-2131-ND

Dim:

69.5mm ID x 73.5mm OD x 2mm W
2-3/4" ID x 2-7/8" OD x 3/32" W

Note: Square cut o-ring.

*Used in starters w/ internal thru bolts.



71-82506

O-Ring - D.E. Housing

For: Nippondenso 2.5kW, 3.0kW, 4.5kW OSGR Starters

Used On: Case, Cummins, John Deere, Komatsu, Toyota

Unit Nos: Nippondenso 028000-588, 028000-601, 028000-840, 028000-856, 128000-021, 128000-054, 128000-101, 128000-227, 128000-312, 128000-411, 128000-562, 228000-494, 228000-573, 228000-581, 228000-647, 228000-7001

Lester Nos: 16658, 16990, 17362

WAI Ref. Nos: 2-1526-ND, 2-1726-ND, 2-1750-ND, 2-2122-ND

Dim:

47.3mm ID x 52.5mm OD x 2.6mm W
1-7/8" ID x 2-1/16" OD x 3/32" W



71-82507

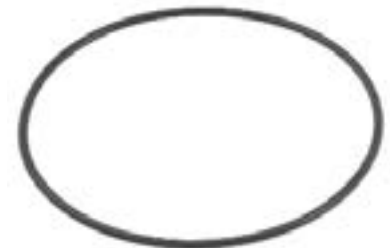
O-Ring - Brush Holder Screw

For: Mitsubishi PLGR; Nippondenso* 1.2kW, 1.4kW, 1.6kW OSGR Starters

Dim:

4mm ID x 7.5mm OD x 1.8mm W
5/32" ID x 5/16" OD x 1/16" W

Note: *Used in starters w/ cast aluminum C.E. frame



71-82510

O-Ring - Field Case

For: Nippondenso 1.0kW, 1.2kW, 1.4kW, 1.6kW, 2.0kW OSGR Starters

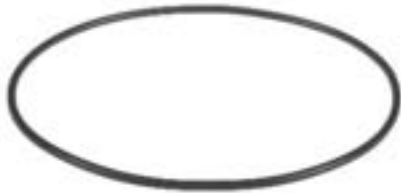
Dim:

69mm ID x 73mm OD x 1.8mm W
2-3/4" ID x 2-13/16" OD x 1/16" W

Note: * Used in starters w/ cast aluminum C.E. frame

STARTER - SMALL PARTS (71-, 72-, 76-, 79-)

NIPPONDENSO (cont'd.)



71-82513

O-Ring - Field Case

For: Nippondenso 3.0kW, 5.5kW OSGR Starters

Used On: (1993-89) Chevrolet, Dodge; Case, Caterpillar, Cummins, GMC Truck, Isuzu Truck

Unit Nos: Nippondenso 128000-049, 128000-245, 128000-247, 128000-256, 128000-274, 128000-422, 128000-468, 128000-491, 128000-537, 128000-551, 128000-562, 128000-572, 128000-573, 228000-331, 228000-332, 228000-573, 228000-585, 228000-7001

Lester Nos: 16881, 17215, 17391

WAI Ref. Nos: 2-1397-ND, 2-1745-ND, 2-1751-ND, 2-2122-ND

Dim:

95mm ID x 99mm OD x 2mm W
3-3/4" ID x 3-7/8" OD x 1/16" W



71-82514

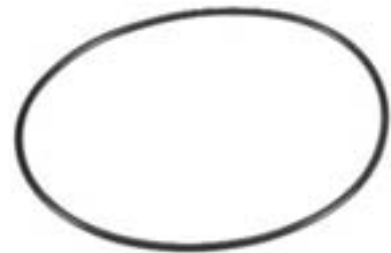
O-Ring - Terminal Post, Thru Bolt

For: Nippondenso IIF Series DD; 1.4kW, 2.0kW OSGR Starters

Dim:

6mm ID x 9.6mm OD x 1.8mm W
1/4" ID x 3/8" OD x 1/16" W

Note: Used w/ D.E. housing screws, thru bolts & solenoid terminals. Used in 66-8202 solenoid.



71-82517

O-Ring - Field Case

For: Nippondenso PLGR Starters

Used On: (2005-89) Acura, Chevrolet, Geo, Honda, Isuzu, Suzuki, Toyota

(cont'd.)

(cont'd.)

Unit Nos: Nippondenso 128000-295, -499, -568, -621, -642, -740, -853, -889, -920; 228000-347, -402, -403, -456, -646, -673, -675, -676, -833, -854, -855; 428000-032

Lester Nos: 17142, 17203, 17252, 17253, 17679, 17680, 17703, 17803, 17805, 17806, 17845, 18350, 18416

WAI Ref. Nos: 2-1189-ND, 2-1201-ND, 2-1543-ND, 2-1544-ND, 2-1693-ND, 2-1839-ND, 2-1840-ND, 2-1841-ND, 2-1958-ND, 2-1959-ND, 2-2050-ND, 2-2057-ND, 2-2058-ND, 2-2331-ND

Dim: 62mm ID x 64mm OD x 1.6mm W



71-82700

Oil Seal - C.S. Frame

For: Nippondenso DD Starters

Used On: John Deere

Unit Nos: Nippondenso 028000-329, 028000-365, 028000-381, 028000-393, 028000-397, 028000-493, 028000-504, 028000-525, 028000-546, 028000-592, 028000-596, 028000-692, 028000-743, 128000-026, 128000-043, 128000-048, 128000-077, 128000-134, 128000-200, 128000-343, 128000-344, 128000-345, 128000-369, 128000-434, 128000-450

Lester Nos: 16641, 16643, 16655, 17371

WAI Ref. Nos: 2-1962-ND, 2-2028-ND, 2-2044-ND, 2-2045-ND

Dim: 42.1mm OD x 8mm W
Fits 30mm Dia. Shaft



71-82701

Seal - D.E. Housing

For: Nippondenso PMGR Starters

Used On: (2006-02) Lexus, Scion, Toyota

Unit Nos: Nippondenso 228000-990, Toyota 28100-28041,

Lester Nos: 17825

WAI Ref. Nos: 2-2212-ND

Dim: 20.5mm ID x 34mm OD x 3.5mm W



72-82100

Cover - Batt. & Switch Terminals

For: Nippondenso 1.4kW OSGR Starters
Used On: (1995-86) Chrysler, Dodge, Plymouth

Unit Nos: Nippondenso 128000-257, 128000-258, 128000-350, 128000-496, 128000-527, 128000-528, 128000-567, 128000-632, 128000-750, 128000-781, 128000-803, 228000-180

Lester Nos: 16849, 17007, 17020, 17084, 17216, 17466, 17549

WAI Ref. Nos: 2-1383-ND, 2-1385-ND, 2-1393-ND, 2-1394-ND, 2-1398-ND, 2-1459-ND, 2-1717-ND



72-82101

Insulator - Batt. & Switch Terminals

For: Nippondenso 1.4kW OSGR Starters
Used On: (1995-88) Chrysler, Dodge, Plymouth

Unit Nos: Nippondenso 128000-350, 128000-750, 128000-803

Lester Nos: 17020, 17216

WAI Ref. Nos: 2-1393-ND, 2-1394-ND, 2-1459-ND

Note: Used w/ 72-82100 cover, 76-82556 battery terminal extension, 76-82557, 76-82567 switch terminal extensions



72-82102

Insulator - Batt. & Switch Terminals

For: Nippondenso 1.0kW, 1.2kW OSGR Starters

Used On: (1989-86) Chrysler, Dodge, Plymouth

Unit Nos: Nippondenso 128000-257, 128000-258

Lester Nos: 16849, 17007

WAI Ref. Nos: 2-1385-ND

Note: Used w/ 72-82100 cover, 76-82562 switch terminal extension, 76-82563 battery terminal extension

STARTER - SMALL PARTS (71-, 72-, 76-, 79-)



72-82103

Cover - Battery Terminal

For: Nippondenso OSGR Starters
Used On: (2002-93) Chrysler, Dodge, Eagle, Plymouth
Unit Nos: Nippondenso 228000-036, 228000-301, 228000-302, 228000-303, 228000-611
Lester Nos: 17460, 17562, 17570, 17571, 17735
WAI Ref. Nos: 2-1527-ND, 2-1786-ND, 2-1821-ND, 2-1823-ND, 2-1943-ND
Note: Used w/ 72-82104 insulator, 76-82566 battery terminal extension



72-82104

Insulator - Terminal Post

For: Nippondenso OSGR Starters
Used On: (2002-93) Chrysler, Dodge, Eagle, Plymouth
Unit Nos: Nippondenso 228000-036, 228000-301, 228000-302, 228000-303, 228000-611
Lester Nos: 17460, 17562, 17570, 17571, 17735
WAI Ref. Nos: 2-1527-ND, 2-1786-ND, 2-1821-ND, 2-1823-ND, 2-1943-ND
Note: Used w/ 72-82103 cover, 76-82566 battery terminal extension



72-82408

Insulator - Field Coil

For: Nippondenso* 1.4kW OSGR Starters
Lester Nos: 16236, 16248, 16251, 16578, 16585, 16586, 16600, 16674, 16696, 16758, 16759, 16760, 17100, 17169
 (cont'd.)

(cont'd.)

WAI Ref. Nos: 2-1007-ND, 2-1024-ND, 2-1025-ND, 2-1026-ND, 2-1029-ND, 2-1036-ND, 2-1206-ND, 2-1415-ND, 2-1439-ND, 2-1737-ND, 2-1742-ND, 2-1960-ND, 2-2131-ND

Note: *Used in starters w/ internal thru bolts



76-82301

Cover - Planetary Shaft Assy.

For: Nippondenso PMGR Starters
Used On: (2006-02) Lexus, Pontiac, Scion, Toyota
Unit Nos: GM 88969483; Nippondenso 228000-990, 428000-034; Toyota 28100-0D080, -28041
Lester Nos: 17825, 17841
WAI Ref. Nos: 2-2212-ND, 2-2360-ND



76-82556

Battery Terminal Extension

For: Nippondenso 1.4kW OSGR Starters
Used On: (1995-88) Chrysler, Dodge, Plymouth
Unit Nos: Nippondenso 128000-350, 128000-750, 128000-803
Lester Nos: 17020, 17216
WAI Ref. Nos: 2-1393-ND, 2-1394-ND, 2-1459-ND
Dim: M8 x 1.25 Post



76-82557

Switch Terminal Extension

For: Nippondenso 1.4kW OSGR Starters
Used On: (1990-88) Chrysler, Dodge, Plymouth
Unit Nos: Nippondenso 128000-350, 128000-750
Lester Nos: 17020
WAI Ref. Nos: 2-1393-ND, 2-1394-ND
Dim: M4 x 0.7 Post



76-82558

Terminal Block

For: Nippondenso 1.4kW OSGR Starters
Used On: (1990-88) Chrysler, Dodge, Plymouth
Unit Nos: Nippondenso 128000-496, 128000-527, 128000-528, 128000-567, 128000-632
Lester Nos: 17084
WAI Ref. Nos: 2-1383-ND
Dim: Batt. Term. M8 x 1.25 Switch Term. M4 x 0.7
Note: Similar to 76-82568 except 76-82568 has M5 x 0.8 switch term. Used w/ 72-82100 cover.



76-82562

Switch Terminal Extension

For: Nippondenso 1.0kW, 1.2kW OSGR Starters
Used On: (1989-86) Chrysler, Dodge, Plymouth
Unit Nos: Nippondenso 128000-257, 128000-258
Lester Nos: 16849, 17007
WAI Ref. Nos: 2-1385-ND
Dim: M4 x 0.7 Post



76-82563

Battery Terminal Extension

For: Nippondenso 1.0kW, 1.2kW OSGR Starters
Used On: (1989-86) Chrysler, Dodge, Plymouth
Unit Nos: Nippondenso 128000-257, 128000-258
Lester Nos: 16849, 17007
WAI Ref. Nos: 2-1385-ND
Dim: M8 x 1.25 Post

STARTER - SMALL PARTS (71-, 72-, 76-, 79-)

NIPPONDENSO (cont'd.)



76-82566

Battery Terminal Extension

For: Nippondenso OSGR Starters

Used On: (2002-93) Chrysler, Dodge, Eagle, Plymouth

Unit Nos: Nippondenso 228000-036, 228000-301, 228000-302, 228000-303, 228000-611

Lester Nos: 17460, 17562, 17570, 17571, 17735

WAI Ref. Nos: 2-1527-ND, 2-1786-ND, 2-1821-ND, 2-1823-ND, 2-1943-ND

Dim: M8 x 1.25 Post



76-82567

Switch Terminal Extension

For: Nippondenso 1.4kW OSGR Starters

Used On: (1995-91) Chrysler, Dodge, Plymouth

Unit Nos: Nippondenso 128000-803

Lester Nos: 17216

WAI Ref. Nos: 2-1459-ND

Dim: M5 x 0.8 Post



76-82568

Terminal Block

For: Nippondenso 1.4kW OSGR Starters

Used On: (1995-91) Dodge

Unit Nos: Nippondenso 128000-781

Lester Nos: 17466

WAI Ref. Nos: 2-1398-ND

Dim: Batt. Term. M8 x 1.25

Switch Term. M5 x 0.8

Note: Similar to 76-82558 except 76-82558 has M4 x 0.7 switch term. Used w/ 72-82100 cover.



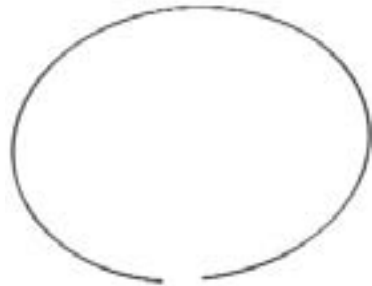
76-82577

Flag Terminal - Motor Lead

For: Nippondenso OSGR Starters

Dim: 8mm ID

Note: Used to replace motor lead terminal that has been cut off to replace motor lead grommet



76-82701

Retaining Ring - Stationary Gear

For: Nippondenso PMGR Starters

Used On: (2006-02) Lexus, Pontiac, Scion, Toyota

Unit Nos: GM 88969483;

Nippondenso 228000-990, 428000-034;

Toyota 28100-0D080, -28041

Lester Nos: 17825, 17841

WAI Ref. Nos: 2-2212-ND, 2-2360-ND

Dim: 64.1mm ID x 66mm OD



76-82802

Steel Ball

For: Nippondenso 1.0kW, 1.2kW, 1.4kW, 1.6kW, 1.8kW, 2.0kW, 2.2kW, 2.5kW, 3.0kW, 4.5kW, 5.5kW OSGR Starters

Dim: 8.7mm Dia.



76-82804

Roller Retainer

For: Nippondenso 1.0kW, 1.2kW, 1.4kW, 1.6kW, 1.8kW, 2.0kW, 2.2kW OSGR Starters

Dim: 21mm OD x 13.2mm L

Note: Used w/ 76-82805 roller. Similar to 76-82810 except 76-82810 has 11.3mm L.



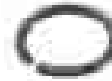
76-82805

Roller - Plastic Retainer

For: Nippondenso 1.0kW, 1.2kW, 1.4kW, 1.6kW, 1.8kW, 2.0kW, 2.2kW OSGR Starters

Dim: 6mm OD x 9.5mm L

Note: Used in 76-82804, 76-82810 roller retainers



76-82806

Retaining Ring

For: Hitachi DD, OSGR, PMGR (Armature); Nippondenso 1.0kW, 1.2kW, 1.4kW, 1.6kW, 2.0kW OSGR (Starter Drive) Starters

Dim: 1.6mm Wire Dia.

Note: Used in 79-81101 stop collar kit for Hitachi starters.

Used w/ 76-82807 stop collar in Nippondenso starters.



76-82807

Stop Collar - Starter Drive

For: Nippondenso 1.0kW, 1.2kW, 1.4kW, 1.6kW, 2.0kW OSGR Starters

Dim: 13mm ID x 18mm OD x 4.6mm W

Note: Used w/ 76-82806 retaining ring



76-82808

Plug - Heat Shield

For: Nippondenso 1.0kW, 1.2kW, 1.4kW OSGR Starters

Used On: (1989-86) Chrysler, Dodge, Plymouth

Unit Nos: Nippondenso 128000-257, 128000-258, 128000-527, 128000-528

Lester Nos: 16849, 17007, 17084

WAI Ref. Nos: 2-1383-ND, 2-1385-ND

Note: Used in heat shield

STARTER - SMALL PARTS (71-, 72-, 76-, 79-)



76-82810

Roller Retainer

For: Nippondenso 1.2kW, 1.4kW, 1.8kW, 2.0kW OSGR Starters

Used On: (2005-90) Acura, Chevrolet, Chrysler, Dodge, Eagle, Geo, Honda, Isuzu, Lexus, Plymouth, Subaru, Toyota; Bobcat, Harley-Davidson, Kubota, Thermo King

Lester Nos: 16831, 878, 888; 17020, 170, 197, 202, 204, 216, 240, 242, 256, 259, 263, 273, 285, 400, 423, 424, 460, 464, 465, 466, 481, 485, 493, 516, 517, 519, 524, 526, 529, 530, 531, 532, 533, 534, 535, 536, 537, 546, 549, 562, 570, 571, 573, 574, 579, 581, 584, 665, 668, 672, 687, 700, 706, 707, 711, 715, 716, 727, 737, 747, 748, 774, 777, 791

Dim: 21mm OD x 11.3mm L

Note: Used w/ 76-82805 roller.

Similar to 76-82804 except 76-82804 has 13.2mm L.



76-82811

Retaining Ring - Starter Drive

For: Nippondenso 2.5kW, 3.0kW, 4.5kW, 5.5kW OSGR Starters

Used On: (2005-81) Dodge, Toyota; Case, Caterpillar, Cummins, Isuzu Truck, John Deere, Teledyne Continental, Toyota Lift Truck, White, Yanmar

Lester Nos: 16614, 16656, 16658, 16824, 16830, 16967, 16981, 16990, 17215, 17302, 17362, 17391, 17548

WAI Ref. Nos: 2-1037-ND, 2-1047-ND, 2-1397-ND, 2-1526-ND, 2-1726-ND, 2-1730-ND, 2-1731-ND, 2-1739-ND, 2-1750-ND, 2-1751-ND, 2-1752-ND, 2-1753-ND, 2-1754-ND, 2-2104-ND, 2-2105-ND, 2-2106-ND, 2-2122-ND

Dim: 1.6mm Wire Dia.

Note: Used w/ 76-82813 stop collar



76-82813

Stop Collar - Starter Drive

For: Nippondenso 2.5kW, 3.0kW, 4.5kW, 5.5kW OSGR Starters

Used On: (2000-81) Dodge, Toyota; Case, Caterpillar, Cummins, Isuzu Truck, John Deere, Teledyne Continental, Toyota Lift Truck, White, Yanmar

Lester Nos: 16614, 16656, 16658, 16824, 16830, 16967, 16981, 16990, 17215, 17302, 17362, 17391, 17548

WAI Ref. Nos: 2-1037-ND, 2-1047-ND, 2-1397-ND, 2-1526-ND, 2-1726-ND, 2-1730-ND, 2-1731-ND, 2-1739-ND, 2-1750-ND, 2-1751-ND, 2-1752-ND, 2-1753-ND, 2-1754-ND, 2-2104-ND, 2-2105-ND, 2-2106-ND, 2-2122-ND

Dim: 11mm ID x 20mm OD x 5.5mm W

Note: Used w/ 76-82811 retaining ring



76-82821

Retainer - Planetary Shaft

For: Nippondenso PMGR Starters

Used On: (2005-02) Lexus, Scion, Toyota

Unit Nos: Nippondenso 228000-990, Toyota 28100-28041

Lester Nos: 17825

WAI Ref. Nos: 2-2212-ND

Dim: 10mm ID x 23mm OD x 2mm W, E-Clip



76-82822

Stop Collar

For: Nippondenso PLGR Starters

Used On: (2006-85) Acura, Chevrolet, Geo, Honda, Isuzu, Pontiac, Suzuki, Toyota

(cont'd.)

(cont'd.)

Unit Nos: Nippondenso 128000-128, -130, -568, -621, -642, -740, -853, -889, -920; 228000-347, -402, -403, -540, -591, -646, -673, -675, -676, -833, -854, -855; 428000-032, -034

Lester Nos: 16880; 17142, 203, 252, 253, 679, 680, 703, 803, 805, 806, 841, 845; 18414

WAI Ref. Nos: 2-1189-ND, 2-1194-ND, 2-1201-ND, 2-1543-ND, 2-1544-ND, 2-1693-ND, 2-1839-ND, 2-1840-ND, 2-1841-ND, 2-1958-ND, 2-1959-ND, 2-2050-ND, 2-2057-ND, 2-2058-ND, 2-2331-ND, 2-2360-ND

Dim: 11mm ID x 16mm OD x 4.5mm W



76-82824

Stationary Gear

For: Nippondenso PMGR Starters

Used On: (2006-02) Lexus, Pontiac, Scion, Toyota

Unit Nos: GM 88969483;

Nippondenso 228000-990, 428000-034; Toyota 28100-0D080, -28041

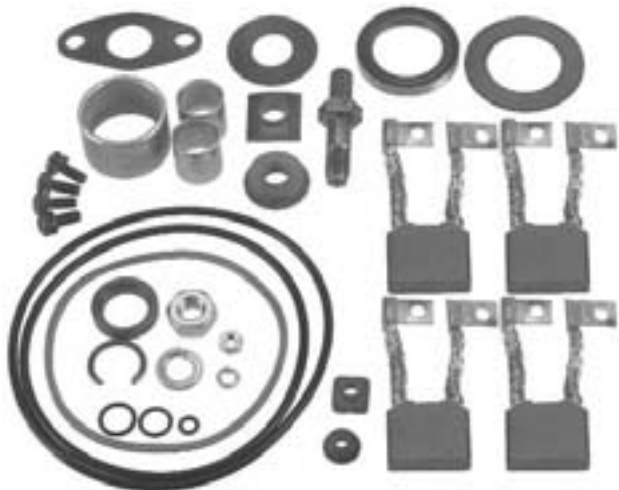
Lester Nos: 17825, 17841

WAI Ref. Nos: 2-2212-ND, 2-2360-ND

Dim: 55-Teeth, 51mm Gear ID

STARTER - SMALL PARTS (71-, 72-, 76-, 79-)

NIPPONDENSO (cont'd.)



79-82100
Repair Kit
12 Volt

For: Nippondenso 4.0kW DD Starters

Used On: Allis-Chalmers, Case, Caterpillar, Hino, John Deere, Onan

Unit Nos: Nippondenso 028000-329, 028000-365, 028000-397, 028000-493, 028000-504, 028000-596, 028000-692, 028000-743, 128000-026, 128000-077, 128000-200, 128000-434

Lester Nos: 16627, 16629, 16635, 16644, 17103, 17349, 17353, 17369, 17386

Components:

- 62-82600 Bushing, D.E., C.E.
- 62-82900 Bushing, Lever Hsg.
- 68-8204 Brush
- 71-82700 Oil Seal, Lever Hsg.



79-82103
Repair Kit
12-24 Volt

For: Nippondenso 2.5kW, 4.5kW OSGR Starters
(cont'd.)

(cont'd.)

Components:

- 54-82600 Spring, Drive Shaft
- 54-82606 Spring, Pinion Gear
- 6-103-4 Ball Bearing, Armature Front
- 6-200-4 Ball Bearing, Armature Rear
- 66-82353 Terminal Post, Battery (45mm L)
- 66-82354 Terminal Post, Motor (28mm L)
- 66-82402 Gasket Soln. Cover
- 66-82551 Spring, Plunger Return
- 66-82652 Movable Contact
- 66-82767 Stationary Contact, Battery, Motor
- 66-82769 Stationary Contact, Battery
- 66-82770 Stationary Contact, Battery
- 68-8207 Brush, Ground
- 68-8207-1 Brush, Field (w/ Clip)
- 71-82303 Boot, Motor Lead
- 71-82506 O-Ring, 47.3mm ID x 52.5mm OD
- 71-82514 O-Ring, 6mm ID x 9.6mm OD
- 71-82516 O-Ring, 9.8mm ID x 13.8mm OD
- 72-82410 Insulator, Terminal (Ext.)
- 72-82412 Insulator, Terminal (Int.)
- 72-82413 Insulator, Terminal (Ext.)
- 76-82802 Steel Ball
- 76-82811 Retaining Ring, Starter Drive
- 79-82102 Repair Kit, Plunger Assy.
- 85-2503 Nut M10 x 1.5 x 5mm T
- 85-2504 Nut M10 x 1.5 x 12mm T
- 85-2505 Nut M10 x 1.5 x 6mm T
- 85-4500 Split Lock Washer 10mm ID
- 85-4503 Conical Washer 10mm ID



79-82104
Repair Kit
12-24 Volt

For: Nippondenso 3.0kW, 5.5kW OSGR Starters

Components:

- 54-82600 Spring, Drive Shaft
- 54-82606 Spring, Pinion Gear
- 6-200-4 Ball Bearing, Armature Rear
- 6-202-4 Ball Bearing, Armature Front
- 66-82353 Terminal Post, Battery (42mm L)
- 66-82354 Terminal Post, Motor (29mm L)
- 66-82402 Gasket Soln. Cover
- 66-82551 Spring, Plunger Return
- 66-82652 Movable Contact

(cont'd.)

STARTER - SMALL PARTS (71-, 72-, 76-, 79-)

(cont'd.)
 66-82767 Stationary Contact, Batt., Mtr.
 68-8216 Brush, Ground
 68-8217 Brush, Field
 71-82303 Boot, Motor Lead
 71-82506 O-Ring, 47.3mm ID x 52.5mm OD
 71-82513 O-Ring, 95mm ID x 99mm OD
 71-82516 O-Ring, 9.8mm ID x 13.8mm OD
 72-82410 Insulator, Terminal (Ext.)
 72-82412 Insulator, Terminal (Int.)
 72-82413 Insulator, Terminal (Ext.)
 76-82802 Steel Ball
 76-82811 Retaining Ring, Starter Drive
 79-82102 Repair Kit, Plunger Assy.
 85-2503 Nut M10 x 1.5 x 5mm T
 85-2504 Nut M10 x 1.5 x 12mm T
 85-2505 Nut M10 x 1.5 x 6mm T
 85-4500 Split Lock Washer 10mm ID
 85-4503 Conical Washer 10mm ID

PRESTOLITE



76-94812

Felt Pad - C.E. Plate

For: Chrysler 'Tin Can' Type Starters w/ Externally Mtd. Solenoid; Prestolite MAW, MAX, MCH, MCL, MDF, MDG, MDL, MDM, MDT, MDU, MDY, MEC, MZ Series Starters
Replaces: Prestolite MAD-110, Ref# S-664

VALEO



71-94100

Gasket - C.E. Frame

For: Valeo PMGR Starters
Used On: (1999-95) Saturn
Unit Nos: Delco 21023232, 21023719; Valeo D6RA65, D6RA85, D6RA165, D6RA185
Lester Nos: 17667
WAI Ref. Nos: 2-1713-VA



71-94300

Grommet - C.E. Frame

For: Valeo PMGR Starters
Used On: (1999-95) Saturn
Unit Nos: Delco 21023232, 21023719; Valeo D6RA65, D6RA85, D6RA165, D6RA185
Lester Nos: 17667
WAI Ref. Nos: 2-1713-VA



72-94400

Cover - Motor Lead

For: Valeo PMGR Starters
Used On: (1999-95) Saturn
Unit Nos: Delco 21023232, 21023719; Valeo D6RA65, D6RA85, D6RA165, D6RA185
Lester Nos: 17667
WAI Ref. Nos: 2-1713-VA
Dim: 14mm W x 23mm L



76-91818

Retaining Ring

For: Bosch 107, 108, 110 Series PMGR; Valeo PMGR Starters
Used On: (2005-84) Audi, BMW, Cadillac, Chrysler, Dodge, Jaguar, Land Rover, Mercedes, Plymouth, Porsche, Saab, Saturn, VW, Volvo
Unit Nos: Bosch 0-001-107-003, -004, -005, -006, -007, -008, -012, -014, -016, -018, -020, -021, -023, -025, -028, -033, -037, -043, -049, -054, -055, -058, -059, -062, -068, -072, -073, -074, -078; 0-001-108-009, -013, -021, -037, -040, -045, -046, -050, -065, -066, -069, -073, -074, -076, -077, -093, -103, -106, -110, -115, -121, -135, -137, -144, -145, -150, -153, -155, -157, -169, -170, -171, -172, -178, -184; 0-001-109-009, -014, -017, -018, -029, -040, -041; 0-001-110-016, -017, -018, -019, -025, -033, -042, -043, -048, -062, -064, -066, -080, -086, -087, -106, -107, -111, -112, -118, -120, -122, -123; 1-001-107-017; Delco 21023232, 21023719; Valeo D6RA65, D6RA85, D6RA165, D6RA185
 (cont'd.)

(cont'd.)
Lester Nos: 16956, 16962, 16963, 16976, 17023, 17038, 17218, 17222, 17223, 17231, 17233, 17236, 17280, 17415, 17416, 17417, 17508, 17572, 17663, 17667, 17690, 17702, 17705, 17720, 17730, 17751, 17782, 17792
Dim: 2mm Wire Dia.
Note: Used w/ 76-91817 stop collar in Bosch starters w/ 11mm drive shaft. Used w/ 76-91819 stop collar in Valeo starters w/ 12mm drive shaft.



76-91819

Stop Collar

For: Bosch 107, 108, 110 Series PMGR; 114 Series PMDD; 218 Series PLGR; Valeo PMGR Starters
Used On: (2005-82) Alfa Romeo, Audi, BMW, Cadillac, Chrysler, Dodge, Jaguar, Jeep, Land Rover, Mercedes, Merkur, Plymouth, Pontiac, Porsche, Renault, Saab, Saturn, VW, Volvo
Dim: 12mm ID x 17.8mm OD x 4.7mm W
Note: Used w/ 76-91820 retaining ring in Bosch starters w/ 12mm drive shaft. Used w/ 76-91818 retaining ring in Valeo starters w/ 12mm drive shaft.



76-94810

Stationary Gear

For: Valeo PMGR Starters
Used On: (1999-97) Saturn
Unit Nos: Delco 21023994, 21024210; Valeo D6RA85, D6RA185
Lester Nos: 17667
WAI Ref. Nos: 2-1713-VA
Dim: 37-Teeth, 43mm Gear ID
Note: Used w/ 61-9417 armature
Components: 62-94702 Bushing

STARTER - SMALL PARTS (71-, 72-, 76-, 79-)

VALEO (cont'd.)



76-94811

Planetary Shaft Assy.

22-Tooth Planetary Gears

For: Valeo PMGR Starters

Used On: (1997-95) Saturn

Unit Nos: Delco 21023232, 21023719;
Valeo D6RA65, D6RA165

Lester Nos: 17667

WAI Ref. Nos: 2-1713-VA

Features:

- Mfd. by OE Supplier

SPECIALTY



76-89602

Repair Lead - Field Coil

Dim: 9.4mm Eyelet Dia. x 76mm L

Note: For repairing field coil lead wire



76-89607

Repair Lead - Field Coil

Dim: 9.4mm Eyelet Dia. x 51mm L

Note: For repairing field coil lead wire

STARTER - SOLENOIDS (7- ACCURATE, 66- WAI)

BOSCH

354 Series, 12V



7-816
(Ref# 66-9115)
Solenoid

12 Volt, 3-Terminal

For: Bosch 354 Series DD Starters
Used On: IHC, Mercedes, Thermo King, Volvo
Replaces: Bosch 0-331-400-008, 0-331-400-068, 0-331-401-015
Unit Nos: Bosch 0-001-354-016, 0-001-354-018, 0-001-354-031, 0-001-354-080, 0-001-354-085
Dim:
 Batt. Term. M10 x 1.5
 Motor Term. M10 x 1.5
 Switch Term. M5 x 0.8 Hole
Features:
 • Accurate



7-817
(Ref# 66-9181)
Solenoid

12 Volt, 3-Terminal

For: Bosch 354 Series DD Starters
Used On: DAF, Deutz, IHC, KHD, Mercedes
Replaces: Bosch 0-331-402-077, -078
Unit Nos: Bosch 0-001-354-048, 0-001-354-082, 0-001-354-091, 0-001-354-094, 0-001-354-095, 0-001-354-100, 0-001-354-103, 0-001-354-106, 0-001-354-108, 0-001-354-109, 0-001-354-113
Dim:
 Batt. Term. M10 x 1.5
 Motor Term. M10 x 1.5
 Switch Term. M4 x 0.7 Hole
Note: Plunger slot length 23mm.
 For starters w/ early 401 series solenoids use adapter plate (included).
Components:
 66-91205 Cap Assy.*
 66-91701 Movable Contact Assy.**
 66-91702 Movable Contact Kit***
 *For 402 Series Solenoids
 **For early style 402 Series Solenoids w/ removable Contact Assy.
 ***For late style 402 Series Solenoids w/ non-removable Contact Assy.
Features:
 • Accurate

358-369 Series, 12V



7-709
(Ref# 66-9185)
Solenoid
12 Volt, 3-Terminal

For: Bosch 358 Series DD Starters
Used On: Deutz
Replaces: Bosch 0-331-402-076
Unit Nos: Bosch 0-001-358-017, 0-001-358-018, 0-001-358-026, 0-001-358-033, 0-001-358-035, 0-001-358-038, 0-001-358-046, 0-001-358-047
Dim:
 Batt. Term. M10 x 1.5
 Motor Term. M10 x 1.5
 Switch Term. M4 x 0.7 Hole
Note: Adapter plate included to change 3-hole mtg. to 2-hole mtg.
Features:
 • Accurate



7-740
Accurate

66-9105
Best Value

Solenoid
12 Volt, 3-Terminal

For: Bosch 359, 362, 367, 369 Series DD Starters
Used On: Caterpillar, Deutz, Ditch Witch, Fiat, IHC, Ingersoll-Rand, JCB, Mercedes
Replaces: Bosch 0-331-402-042, -068, -070, -209, -568
Unit Nos: Bosch 0-001-359-089, -097, -098; 0-001-362-039, -321, -322, -601, -605, -700, -701; 0-001-367-003, -027, -046, -054, -063; 0-001-369-002, -003, -006, -007
Lester Nos: 16558, 957, 999; 17232, 307, 318; 18035
WAI Ref. Nos: 2-1270-BO, 2-1277-BO, 2-1925-BO, 2-1980-BO
Dim:
 Batt. Term. M10 x 1.5
 Motor Term. M10 x 1.5
 Switch Term. M4 x 0.7 Hole
Components:
 66-91205 Cap Assy.
 66-91701 Movable Contact Assy.*
 66-91702 Movable Contact Kit**
 *For early style 402 Series Solenoids w/ removable Contact Assy.
 **For late style 402 Series Solenoids w/ non-removable Contact Assy.

STARTER - SOLENOIDS (7- ACCURATE, 66- WAI)

BOSCH

358-369 Series, 12V (cont'd.)



7-747
Accurate

66-9111-1
Best Value

Solenoid
12 Volt, 3-Terminal

For: Bosch 362 Series DD Starters
Used On: (1987-74) Peugeot (Diesel)
Replaces: Bosch 0-331-402-028
Unit Nos: Bosch 0-001-362-045, 0-001-362-061, 0-001-362-079, 0-001-362-081, 0-001-362-602
Lester Nos: 16715, 16752, 16753, 16754
WAI Ref. Nos: 2-1294-BO, 2-1296-BO
Dim:
 Batt. Term. M8 x 1.25
 Motor Term. M10 x 1.5
 Switch Term. M5 x 0.8 Post



7-794
Accurate

66-9123-1
Best Value

Solenoid
12 Volt, 3-Terminal

For: Bosch 359, 367 Series DD Starters
Used On: IHC, Mercedes
Replaces: Bosch 0-331-402-013, 0-331-402-513; Mercedes 000-152-32-10
Unit Nos: Bosch 0-001-359-043, 0-001-359-084, 0-001-359-111, 0-001-367-034, 0-001-367-039, 0-001-367-042, 0-001-367-059
Lester Nos: 17106
Dim:
 Batt. Term. M10 x 1.5
 Motor Term. M10 x 1.5
 Switch Term. M6 x 1.0 Hole
Components:
 66-91218 Cap Assy.
 66-91701 Movable Contact Assy.*
 66-91702 Movable Contact Kit**
 *For early style 402 Series Solenoids w/ removable Contact Assy.
 **For late style 402 Series Solenoids w/ non-removable Contact Assy.



7-795
Accurate

66-9121-5
Best Value

Solenoid
12 Volt, 3-Terminal

For: Bosch 358, 359, 362, 366, 367 Series DD Starters
Used On: Audi, Deutz, IHC, Iveco, KHD, Magirus, Massey Ferguson, Mercedes, Opel, Renault, Volvo
Replaces: Bosch 0-331-402-002, -003, -107, -502, -503; 9-330-081-030
Unit Nos: Bosch 0-001-354-092; 0-001-358-049, -201; 0-001-359-072, -073, -081, -082, -099, -100, -106, -108, -119; 0-001-362-013, -014, -015, -016, -022, -023, -024, -025, -034, -035, -036, -037, -041, -046, -058, -063, -071, -074, -300, -305, -306, -310, -313; 0-001-366-001, -002, -003, -009, -010, -012, -013, -014, -016, -017, -018, -020, -024, -025, -027, -028, -029; 0-001-367-001, -004, -005, -007, -009, -010, -013, -023, -052; 0-001-369-014; 9-000-083-027, -028, -036, -054, -058, -059, -071
Lester Nos: 16567, 17074, 17075, 17077, 17105, 17106, 17112, 17113, 17114, 17136, 17159, 17228, 17309, 17316, 18026, 18027, 18114, 18122, 18229, 18370
WAI Ref. Nos: 2-1889-BO, 2-1908-BO, 2-1976-BO
Dim:
 Batt. Term. M10 x 1.5
 Motor Term. M10 x 1.5
 Switch Term. M5 x 0.8 Hole
Note: 5mm S-terminal hole. For 4mm S-terminal hole use 7-1190.
Components:
 66-91207 Cap Assy.*
 66-91701 Movable Contact Assy.**
 66-91702 Movable Contact Kit***
 *For 402 Series Solenoids
 **For early style 402 Series Solenoids w/ removable Contact Assy.
 ***For late style 402 Series Solenoids w/ non-removable Contact Assy.



7-818
Accurate

66-9100-2
Best Value

Solenoid
12 Volt, 3-Terminal

For: Bosch 358, 359, 362, 366, 367, 369 Series DD Starters
Used On: (1984-74) Audi, Mercedes, Volvo (Diesel); Case, Caterpillar, DAF, Deutz, IHC, Iveco, John Deere, KHD, Mack, Magirus, Massey Ferguson
Replaces: Bosch 0-331-401-040; 0-331-402-001, -004, -016, -019, -030, -035, -039, -087, -205, -501, -504, -519, -535, -539
Lester Nos: 16445, 563, 615, 949, 957; 17074, 092, 095, 106, 184, 229, 257; 18029, 236, 259
WAI Ref. Nos: 2-1270-BO, 2-1287-BO, 2-1803-BO, 2-1905-BO, 2-2041-BO, 2-2042-BO
 (cont'd.)

STARTER - SOLENOIDS (7- ACCURATE, 66- WAI)

(cont'd.)

Dim:

Batt. Term. M10 x 1.5
 Motor Term. M10 x 1.5
 Switch Term. M4 x 0.7 Hole

Components:

66-91205 Cap Assy.*
 66-91701 Movable Contact Assy.**
 66-91702 Movable Contact Kit***

*For 402 Series Solenoids

**For early style 402 Series Solenoids w/ removable Contact Assy.

***For late style 402 Series Solenoids w/ non-removable Contact Assy.



7-894
 (Ref# 66-9102)
Solenoid

12 Volt, 3-Terminal

For: Bosch 356, 359 Series DD Starters

Used On: Fiat, IHC, Iveco, John Deere, KHD, Mack, MAN, Massey Ferguson, Mercedes, Renault, Volvo

Replaces: Bosch 0-331-401-029, -051, -501; 0-331-402-073, -074

Unit Nos: Bosch 0-001-356-002, -003; 0-001-359-001, -002, -003, -006, -007, -008, -010, -012, -013, -014, -016, -019, -020, -021, -024, -025, -026, -027, -030, -032, -033, -034, -037, -038, -041, -044, -045, -046, -053, -056, -057, -058, -060, -062, -063, -064, -067, -068, -069, -070, -083, -096

Dim:

Batt. Term. M10 x 1.5
 Motor Term. M10 x 1.5
 Switch Term. M4 x 0.7 Hole

Note: For starters w/ early 401 series solenoids use adapter plate (included)

Components:

66-91205 Cap Assy.*
 66-91701 Movable Contact Assy.**
 66-91702 Movable Contact Kit***

*For 402 Series Solenoids

**For early style 402 Series Solenoids w/ removable Contact Assy.

***For late style 402 Series Solenoids w/ non-removable Contact Assy.

Features:

- Accurate



7-1181
 Accurate

66-9141-1
 Best Value

Solenoid

12 Volt, 3-Terminal

For: Bosch 365 Series DD Starters

Used On: Clayson, KHD, Magirus

Replaces: Bosch 0-331-402-011

Unit Nos: Bosch 0-001-365-004, 0-001-365-005, 0-001-365-006, 0-001-365-007, 0-001-365-008

(cont'd.)

(cont'd.)

Lester Nos: 17076

Dim:

Batt. Term. M10 x 1.5
 Motor Term. M10 x 1.5
 Switch Term. M4 x 0.7 Hole

Components:

66-91205 Cap Assy.
 66-91701 Movable Contact Assy.*
 66-91702 Movable Contact Kit**

*For early style 402 Series Solenoids w/ removable Contact Assy.

**For late style 402 Series Solenoids w/ non-removable Contact Assy.



7-1183
 Accurate

66-9194-1
 Best Value

Solenoid

12 Volt, 3-Terminal

For: Bosch 369 Series DD Starters

Used On: Ford New Holland, IHC

Replaces: Bosch 2-339-402-113

Unit Nos: Bosch 0-001-369-020, Ford 86-513-093

Dim:

Batt. Term. M8 x 1.25
 Motor Term. M10 x 1.5
 Switch Term. Male Spade



7-1184
 Accurate

66-9195-1
 Best Value

Solenoid

12 Volt, 3-Terminal

For: Bosch 369 Series DD Starters

Used On: Ford New Holland Tractor

Replaces: Bosch 2-339-402-115

Unit Nos: Bosch 0-001-369-023, 0-001-369-201; Ford 82-005-342, 82-013-922

Lester Nos: 18034

Dim:

Batt. Term. M8 x 1.25
 Motor Term. M10 x 1.5
 Switch Term. Male Spade

STARTER - SOLENOIDS (7- ACCURATE, 66- WAI)

BOSCH

358-369 Series, 12V (cont'd.)



7-1190
Solenoid
12 Volt, 3-Terminal

For: Bosch 358, 359, 362, 366, 367 Series DD Starters

Used On: Audi, Deutz, IHC, Iveco, KHD, Magirus, Massey Ferguson, Mercedes, Opel, Renault, Volvo

Replaces: Bosch 0-331-402-002, -003, -502, -503

Unit Nos: Bosch 0-001-354-092; 0-001-358-049, -201; 0-001-359-072, -073, -081, -082, -099, -100, -106, -108, -119; 0-001-362-013, -014, -015, -016, -022, -023, -024, -025, -034, -035, -036, -037, -041, -046, -058, -063, -071, -074, -300, -305, -306, -310, -313; 0-001-366-001, -002, -003, -009, -010, -012, -013, -014, -016, -017, -018, -020, -024, -025, -027, -028, -029; 0-001-367-001, -004, -005, -007, -009, -010, -013, -023, -052

Lester Nos: 16567, 17074, 17075, 17077, 17105, 17112, 17113, 17114, 17136, 17159, 17228, 17316, 18027, 18229, 18370

WAI Ref. Nos: 2-1908-BO, 2-1976-BO

Dim:

Batt. Term. M10 x 1.5

Motor Term. M10 x 1.5

Switch Term. M4 x 0.7 Hole

Note: 4mm S-terminal hole.

For 5mm S-terminal hole use 7-795 (66-9121).

Features:

- Accurate



66-9188
Solenoid
12 Volt, 3-Terminal

For: Bosch 369 Series DD Starters

Used On: Ford Backhoes w/ 4-256 Diesel Engine, John Deere Farm Sprayer 6500

Replaces: Bosch 0-331-402-106, 0-331-402-606

Unit Nos: Bosch 0-001-369-015, 0-001-369-021; Ford F0NN-11000-CA

Lester Nos: 18023, 18024

Dim:

Batt. Term. M8 x 1.25

Motor Term. M10 x 1.5

Switch Term. M4 x 0.7 Hole

Features:

- Best Value
- 100% New at rebuilt prices
- Jump start protection cap

360-368 Series, 24V



7-739
(Ref# 66-9104)
Solenoid

24 Volt, 3-Terminal

For: Bosch 360, 368 Series DD Starters

Used On: Volvo, Volvo White-GMC Truck

Replaces: Bosch 0-331-402-208

Unit Nos: Bosch 0-001-360-025, 0-001-360-036, 0-001-360-040, 0-001-360-049, 0-001-368-018, 0-001-368-030, 0-001-368-071, 0-001-368-303

Dim:

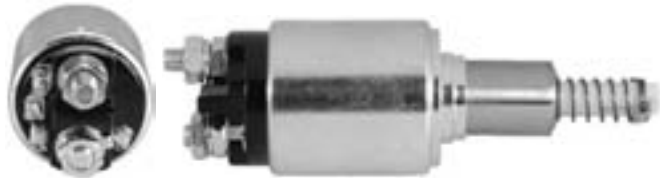
Batt. Term. M10 x 1.5

Motor Term. M10 x 1.5

Switch Term. M4 x 0.7 Hole

Features:

- Accurate



7-743
Accurate

66-9140-1
Best Value

Solenoid

24 Volt, 3-Terminal

For: Bosch 364 Series DD Starters

Used On: Deutz, IHC, KHD, Magirus

Replaces: Bosch 0-331-402-008, 0-331-402-508

Unit Nos: Bosch 0-001-364-100, 0-001-364-101, 0-001-364-104, 0-001-364-105

Dim:

Batt. Term. M10 x 1.5

Motor Term. M10 x 1.5

Switch Term. M4 x 0.7 Hole

Components:

66-91205 Cap Assy.

66-91701 Movable Contact Assy.*

66-91702 Movable Contact Kit**

*For early style 402 Series Solenoids w/ removable Contact Assy.

**For late style 402 Series Solenoids w/ non-removable Contact Assy.

STARTER - SOLENOIDS (7- ACCURATE, 66- WAI)



7-798
Accurate



66-9106-1
Best Value

Solenoid
24 Volt, 3-Terminal

For: Bosch 360, 363, 368 Series DD Starters

Used On: DAF, Deutz, Fiat, IHC, Iveco, KHD, Magirus, Mercedes, Ravo, Renault, Scania, Volvo

Replaces: Bosch 0-331-402-015, -026, -031, -051, -053, -054, -094, -206

Unit Nos: Bosch 0-001-360-026, -027, -029, -032, -033, -034, -035, -038, -041, -043, -045, -050, -055, -060, -061, -063; 0-001-363-101, -103, -104, -105, -106, -107, -109, -111, -112, -113, -116, -117; 0-001-368-001, -002, -005, -009, -010, -012, -013, -016, -017, -019, -021, -026, -027, -034, -040, -051, -056, -058, -059, -063, -069, -301

Dim:

Batt. Term. M10 x 1.5

Motor Term. M10 x 1.5

Switch Term. M4 x 0.7 Hole

Components:

66-91205 Cap Assy.*

66-91701 Movable Contact Assy.**

66-91702 Movable Contact Kit***

*For 402 Series Solenoids

**For early style 402 Series Solenoids w/ removable Contact Assy.

***For late style 402 Series Solenoids w/ non-removable Contact Assy.



7-2010
(Ref# 66-9107)

Solenoid
24 Volt, 3-Terminal

For: Bosch 360, 368 Series DD Starters

Used On: Mercedes

Replaces: Bosch 0-331-402-010

Unit Nos: Bosch 0-001-360-022, 0-001-360-037, 0-001-360-056, 0-001-368-024, 0-001-368-028, 0-001-368-055

Dim:

Batt. Term. M10 x 1.5

Motor Term. M10 x 1.5

Switch Term. M6 x 1.0 Hole

Components:

66-91218 Cap Assy.

66-91701 Movable Contact Assy.*

66-91702 Movable Contact Kit**

*For early style 402 Series Solenoids w/ removable Contact Assy.

**For late style 402 Series Solenoids w/ non-removable Contact Assy.

Features:

- Accurate

410-417 Series, 24V



7-726
Accurate

Solenoid
24 Volt

For: Bosch 410, 411, 414, 415, 416, 417 Series DD Starters

Used On: Clark, DAF, Fiat, KHD, Massey Ferguson, MAN, Mercedes, Renault, Volvo, Volvo White-GMC Truck

Replaces: Bosch 0-331-450-001, 0-331-450-004, 0-331-450-005

Unit Nos: Bosch 0-001-410-015, -016, -021, -029, -032, -034, -035, -041, -043, -044, -045, -046, -052, -053, -058, -062, -063, -065, -067, -081, -088, -090, -094, -097, -098, -102, -106, -111, -115; 0-001-411-005, -009, -012, -014, -015, -016, -017, -021, -025, -026, -027, -036; 0-001-414-003, -008, -009, -010, -011, -015, -016, -018, -019, -022; 0-001-415-001, -002, -006, -007, -008, -009, -010, -011, -013, -017, -019, -023, -027; 0-001-416-002, -003, -004, -005, -008, -009, -013, -017, -022, -023, -024, -025, -026, -029, -030, -040, -046, -047, -059; 0-001-417-001, -002, -016, -017, -024, -025, -035, -036, -041, -055, -066, -068; 9-000-084-007, -008, -012, -024

Lester Nos: 16372, 17094, 17108, 17321, 18037, 18113, 18123, 18124, 18223, 18253, 18257, 18375, 18378, 18379, 18380, 18381, 18388, 18390, 18393



7-727
Accurate

Solenoid
24 Volt

For: Bosch 410, 411, 414, 415, 416, 417 Series DD Starters

Used On: DAF, KHD, MAN, Mercedes, Renault, Volvo Penta

Replaces: Bosch 0-331-450-002

Unit Nos: Bosch 0-001-402-076; 0-001-410-019, -022, -024, -037, -049, -050, -068, -069, -075, -077, -078, -083, -087, -092, -101, -104, -109, -113, -117; 0-001-411-001, -002, -004, -006, -007, -010, -013, -019, -020, -022, -024, -028, -031, -032, -035; 0-001-414-001, -013, -020; 0-001-415-003, -021, -022, -024; 0-001-416-001, -006, -010, -014, -018, -028, -031, -032, -033, -035, -039, -044, -045, -049, -050, -051, -053, -056, -058, -071; 0-001-417-003, -004, -011, -012, -013, -014, -015, -018, -020, -021, -022, -023, -026, -027, -028, -029, -030, -031, -033, -037, -043, -044, -047, -050, -058

Lester Nos: 17094, 18117, 18118, 18220, 18222, 18382, 18383, 18388, 18389, 18393

STARTER - SOLENOIDS (7- ACCURATE, 66- WAI)

BOSCH

410-417 Series, 24V (cont'd.)



7-728
Accurate

Relay Switch
24 Volt

For: Bosch 410, 411, 414, 415, 416, 417 Series DD Starters
Used On: Caterpillar, DAF, Hanomag, Cummins, Scania, Volvo Penta

Replaces: Bosch 0-331-100-016; 0-331-101-005, -009
Unit Nos: Bosch 0-001-402-076; 0-001-410-019, -022, -024, -037, -049, -050, -068, -069, -075, -077, -078, -087, -092, -101, -104, -109, -113, -117; 0-001-411-001, -002, -004, -006, -007, -010, -013, -019, -020, -022, -028, -031, -032, -035; 0-001-414-001, -011, -013, -020; 0-001-415-003, -008, -009, -019, -021, -022, -024; 0-001-416-001, -006, -010, -014, -018, -028, -031, -032, -033, -035, -039, -044, -045, -050, -051, -053, -056, -058; 0-001-417-003, -004, -011, -012, -013, -014, -015, -020, -021, -022, -023, -027, -028, -029, -030, -031, -033, -037, -043, -044, -047, -050, -058; 9-000-084-013

Lester Nos: 17094, 18117, 18220, 18222, 18382, 18383, 18388, 18389, 18393



7-1192
Accurate

Relay Switch
24 Volt

For: Bosch 410, 411, 414, 415, 416, 417 Series DD Starters
Used On: Clark, KHD, MAN, Mercedes Truck, Volvo White-GMC
Replaces: Bosch 0-331-101-006, KHD 1298635, Mercedes 000-152-40-10, Volvo 240488
Unit Nos: Bosch 0-001-410-016, -021, -029, -035, -044, -045, -046, -052, -053, -058, -062, -063, -067, -081, -088, -090, -094, -098, -102, -115; 0-001-411-005, -009, -012, -014, -015, -016, -021, -025, -027, -036; 0-001-414-003, -008, -009, -010, -015, -016, -018, -019, -022; 0-001-415-001, -002, -006, -007, -010, -011, -013, -017, -023, -027; 0-001-416-002, -003, -004, -005, -008, -009, -013, -017, -022, -023, -024, -025, -026, -029, -030, -040, -046, -047, -049, -059; 0-001-417-001, -002, -016, -017, -018, -024, -025, -026, -035, -036, -041, -055, -066, -068, -071; 9-000-084-007, -008, -012, -024

Lester Nos: 16372, 17094, 17108, 17321, 18037, 18113, 18123, 18124, 18223, 18253, 18257, 18375, 18380, 18381, 18390

66-9110-2
Best Value

413 Series, 12V



66-9120
Solenoid
12 Volt

For: Bosch 413 Series DD Starters
Used On: Claas, Liebherr, Mercedes-Benz Truck
Replaces: Bosch 0-331-450-006, 2-007-022-000; Mercedes 000-152-58-10; Volvo 6643684, 862193
Unit Nos: Bosch 0-001-413-001, -004, -006, -010
Lester Nos: 16369, 18221
Features:

- Best Value
- 100% New at rebuilt prices

DD Starters



7-721
(Ref# 66-9117)
Solenoid
12 Volt, 4-Terminal

For: Bosch 314 Series DD Starters
Used On: (1976-74) Mercedes
Replaces: Bosch 0-331-303-012
Unit Nos: Bosch 0-001-314-005, 0-001-314-028, 0-001-314-029
Lester Nos: 16543
WAI Ref. Nos: 2-1271-BO
Dim:
Batt. Term. M8 x 1.25
Motor Term. M8 x 1.25
Switch Term. M5 x 0.8 Hole
Relay Term. M5 x 0.8 Hole
Components:
66-91210 Cap Assy.
66-91700 Movable Contact Assy.
Features:

- Accurate

STARTER - SOLENOIDS (7- ACCURATE, 66- WAI)



7-749
(Ref# 66-9158)

Solenoid
12 Volt, 4-Terminal

For: Bosch 312 Series DD Starters
Used On: (1986-78) Porsche; Claas
Replaces: Bosch 0-331-302-058
Unit Nos: Bosch 0-001-312-102, 0-001-312-110; Porsche 911-604-101-01, 928-604-103-01
Lester Nos: 16426, 16609
WAI Ref. Nos: 2-1339-BO, 2-1344-BO
Dim:
 Batt. Term. M8 x 1.25
 Motor Term. M8 x 1.25
 Switch Term. M4 x 0.7 Hole
 Relay Term. M5 x 0.8 Hole
Features:
 • Accurate



7-808
Accurate

66-9125
Best Value

Solenoid
12 Volt, 3-Terminal

For: Bosch 211, 311 Series DD Starters
Used On: (1980-67) Fiat, Lancia, VW
Replaces: Bosch 0-331-302-031, 0-331-302-040, 0-331-302-051, 0-331-302-082, 0-331-302-093; VW-Audi 311-911-287
Unit Nos: Bosch 0-001-157-001, -002; 0-001-211-221, -222, -988, -992, -993, -997, -998; 0-001-311-116, -119, -123, -126, -130, -138; 0-001-314-006
Lester Nos: 16257, 16438, 16450, 16531, 16546, 16688, 16709
WAI Ref. Nos: 2-1314-BO, 2-1340-BO, 2-1353-BO,
Dim:
 Batt. Term. M8 x 1.25
 Motor Term. M8 x 1.25
 Switch Term. Male Spade
Note: Plunger slot length 10.5mm
Components:
 66-91200 Cap Assy.
 66-91703 Movable Contact Kit



7-805
Accurate

66-9129
Best Value

Solenoid
12 Volt, 4-Terminal

For: Bosch 208, 211, 311, 314 Series DD Starters
Used On: (1987-72) Audi, Mercedes, Porsche, VW
Replaces: Bosch 0-331-303-003, -007, -010, -015
Unit Nos: Bosch 0-001-208-200, 0-001-208-201, 0-001-208-208, 0-001-211-213, 0-001-211-214, 0-001-211-218, 0-001-211-219, 0-001-311-118, 0-001-311-122, 0-001-311-136, 0-001-311-137, 0-001-314-002, 0-001-314-018
Lester Nos: 16299, 16401, 16534, 16781
WAI Ref. Nos: 2-1272-BO, 2-1342-BO, 2-1343-BO, 2-1350-BO
Dim:
 Batt. Term. M8 x 1.25
 Motor Term. M8 x 1.25
 Switch Term. M4 x 0.7 Hole
 Relay Term. M5 x 0.8 Hole
Components:
 66-91201 Cap Assy.
 66-91700 Movable Contact Assy.



7-809
Accurate

66-9128
Best Value

Solenoid
12 Volt, 4-Terminal

For: Bosch 208, 211, 311 Series DD Starters
Used On: (1980-76) Ford, Mercury; Toro
Replaces: Bosch 0-331-303-005, 0-331-303-016, 0-331-303-031; Ford 73AB-11390-AA, 77EB-11390-BA
Unit Nos: Bosch 0-001-112-037; 0-001-208-219, -223, -501, -513; 0-001-211-206, -227, -228, -512, -513; 0-001-311-107, -121
Lester Nos: 16530, 16538, 16595
WAI Ref. Nos: 2-1248-BO, 2-1255-BO, 2-1430-BO, 2-1874-BO, 2-1907-BO
Dim:
 Batt. Term. M8 x 1.25
 Motor Term. M8 x 1.25
 Switch Term. Male Spade
 Relay Term. M5 x 0.8 Post
Components:
 66-91700 Movable Contact Assy.

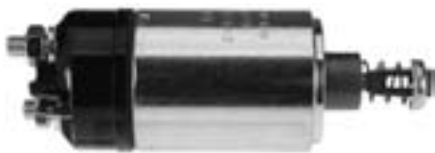
STARTER - SOLENOIDS (7- ACCURATE, 66- WAI)

BOSCH

DD Starters (cont'd.)



7-810
Accurate



66-9180
Best Value

Solenoid 12 Volt, 4-Terminal

For: Bosch 212, 312 Series DD Starters
Used On: (1989-72) Porsche, VW
Replaces: Bosch 0-331-302-032, 0-331-302-074, 0-331-302-097
Unit Nos: Bosch 0-001-212-005, -006, -208, -209; 0-001-312-100
Lester Nos: 16300, 16426
WAI Ref. Nos: 2-1339-BO, 2-1341-BO
Dim:
 Batt. Term. M8 x 1.25
 Motor Term. M8 x 1.25
 Switch Term. Male Spade
 Relay Term. Male Spade
Note: Plunger slot length 13mm
Components:
 66-91200 Cap Assy.
 66-91703 Movable Contact Kit



7-850
Accurate



66-9186
Best Value

Solenoid 12 Volt, 4-Terminal

For: Bosch 311 Series DD Starters
Used On: (1974-72) Mercury
Replaces: Bosch 0-331-302-053
Unit Nos: Bosch 0-001-311-033, 0-001-311-034, 0-001-311-037, 0-001-311-038, 0-001-311-048
Lester Nos: 16405, 16414, 16539
WAI Ref. Nos: 2-1256-BO, 2-1429-BO
Dim:
 Batt. Term. M8 x 1.25
 Motor Term. M8 x 1.25
 Switch Term. Male Spade
 Relay Term. M5 x 0.8 Post
Note: Plunger slot length 7.5mm
Components:
 66-91703 Movable Contact Kit



7-814
Accurate



66-9183
Best Value

Solenoid 12 Volt, 4-Terminal

For: Bosch 311 Series DD Starters
Used On: (1988-75) Saab, Volvo
Replaces: Bosch 0-331-302-081, -084, -085
Unit Nos: Bosch 0-001-311-103, -105, -108, -114, -115, -127, -147
Lester Nos: 16353, 16360, 16550, 16683, 16954
WAI Ref. Nos: 2-1282-BO, 2-1285-BO, 2-1286-BO, 2-1288-BO
Dim:
 Batt. Term. M8 x 1.25
 Motor Term. M8 x 1.25
 Switch Term. Male Spade
 Relay Term. Male Spade
Note: Plunger slot length 10.5mm.
 Relay terminal width 5mm.
 Similar to 66-9127 except 66-9127 has 6.5mm wide relay terminal.
Components:
 66-91216 Cap Assy.
 66-91703 Movable Contact Kit



7-851
Accurate



66-9131
Best Value

Solenoid 12 Volt, 4-Terminal

For: Bosch 212, 312, 317 Series DD Starters
Used On: (1993-75) Audi, VW
Replaces: Bosch 0-331-303-023, -034, -073
Unit Nos: Bosch 0-001-212-204, 0-001-212-205, 0-001-212-206, 0-001-212-207, 0-001-212-400, 0-001-212-401, 0-001-312-105, 0-001-312-106, 0-001-312-107, 0-001-312-108, 0-001-312-109, 0-001-317-007, 0-001-317-008, 0-001-317-011, 0-001-317-012, 0-001-317-015, 0-001-317-020, 0-001-317-021, 0-001-317-024
Lester Nos: 16410, 16548, 16623, 16951, 16959, 16961, 17122
WAI Ref. Nos: 2-1351-BO, 2-1357-BO, 2-1361-BO, 2-1368-BO, 2-1414-BO, 2-1440-BO, 2-1934-BO, 2-2017-BO
Dim:
 Batt. Term. M8 x 1.25
 Motor Term. M8 x 1.25
 Switch Term. Male Spade
 Relay Term. Male Spade
Components:
 66-91203 Cap Assy.
 66-91700 Movable Contact Assy.

STARTER - SOLENOIDS (7- ACCURATE, 66- WAI)



7-852
Accurate



66-9157
Best Value

Solenoid
12 Volt, 4-Terminal

For: Bosch 208, 211, 214, 311 Series DD Starters

Used On: (1979-77) BMW

Replaces: Bosch 0-331-302-011, 0-331-302-030, 0-331-302-047, 0-331-302-052, 0-331-302-075; Saab 78-54-946; Volvo 240623, 241675, 241889; VW-Audi 113-911-287

Unit Nos: Bosch 0-001-208-006, 0-001-208-014, 0-001-208-029, 0-001-211-002, 0-001-211-004, 0-001-211-005, 0-001-211-014, 0-001-211-016, 0-001-214-002, 0-001-311-001, 0-001-311-027, 0-001-311-032, 0-001-311-045

Lester Nos: 16327, 16330, 16339, 16343, 16360, 16362, 16440, 16450, 16551

WAI Ref. Nos: 2-1259-BO, 2-1285-BO, 2-1340-BO, 2-1426-BO, 2-1902-BO

Dim:

Batt. Term. M8 x 1.25

Motor Term. M8 x 1.25

Switch Term. Male Spade

Relay Term. Male Spade

Note: Plunger slot length 7.5mm. Relay terminal width 5mm.

Components:

66-91216 Cap Assy.

66-91703 Movable Contact Kit



66-9136
(Ref# 7-748)

Solenoid

12 Volt, 4-Terminal

For: Bosch 311, 313 Series DD Starters

Used On: (1987-73) Mercedes

Replaces: Bosch 0-331-302-050

Unit Nos: Bosch 0-001-311-041, 0-001-313-003, 0-001-313-005, 0-001-313-007

Lester Nos: 16299, 16781

WAI Ref. Nos: 2-1272-BO, 2-1343-BO

Dim:

Batt. Term. M8 x 1.25

Motor Term. M8 x 1.25

Switch Term. M4 x 0.7 Hole

Relay Term. M5 x 0.8 Hole

Note: Plunger slot length 10.5mm.

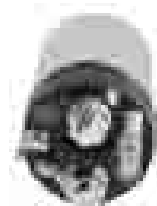
Distance from end of plunger stem to solenoid body 37mm.

Components:

66-91703 Movable Contact Kit

Features:

- Best Value
- 100% New at rebuilt prices



66-9127
Solenoid

12 Volt, 4-Terminal

For: Bosch 208, 211, 311 Series DD Starters

Used On: (1975-71) Opel

Replaces: Bosch 0-331-302-062

Unit Nos: Bosch 0-001-208-202, 0-001-211-200, 0-001-211-201, 0-001-311-112

Lester Nos: 16443

WAI Ref. Nos: 2-1312-BO

Dim:

Batt. Term. M8 x 1.25

Motor Term. M8 x 1.25

Switch Term. Male Spade

Relay Term. Male Spade

Note: Plunger slot length 10.5mm.

Relay terminal width 6.5mm.

Similar to 66-9183 except 66-9183 has 5mm wide relay terminal.

Components:

66-91200 Cap Assy.

66-91703 Movable Contact Kit

Features:

- Best Value



66-9162
(Ref# 7-742)

Solenoid

12 Volt, 3-Terminal

For: Bosch 311, 314, 315 Series DD Starters

Used On: Deutz, KHD, Volvo

Replaces: Bosch 0-331-302-060

Unit Nos: Bosch 0-001-311-035, -054; 0-001-314-003, -008, -010, -016, -017, -024, -031; 0-001-315-002

Lester Nos: 16787, 18233, 18235, 18258

WAI Ref. Nos: 2-1779-BO

Dim:

Batt. Term. M8 x 1.25

Motor Term. M8 x 1.25

Switch Term. M4 x 0.7 Hole

Note: Plunger slot length 10.5mm

Components:

66-91703 Movable Contact Kit

Features:

- Best Value
- 100% New at rebuilt prices

STARTER - SOLENOIDS (7- ACCURATE, 66- WAI)

BOSCH

DD Starters (cont'd.)



66-9175
(Ref# 7-737)

Solenoid

12 Volt, 3-Terminal

For: Bosch 208, 211, 317 Series DD Starters

Used On: (1991-82) VW

Replaces: Bosch 0-331-303-055, 0-331-303-056, 0-331-303-132

Unit Nos: Bosch 0-001-208-425, -426, -428, -429; 0-001-211-253, -254; 0-001-317-016, -017

Lester Nos: 16722, 16961, 17066

WAI Ref. Nos: 2-1361-BO, 2-1371-BO, 2-1449-BO

Dim:

Batt. Term. M8 x 1.25

Motor Term. M8 x 1.25

Switch Term. Male Spade

Note: Plunger slot length 10.5mm

Components:

66-91214 Cap Assy.

66-91700 Movable Contact Assy.

Features:

- Best Value
- 100% New at rebuilt prices



66-9179

Solenoid

12 Volt, 4-Terminal

For: Bosch 311 Series DD Starters

Used On: (1985) Volvo

Replaces: Bosch 0-331-302-106

Unit Nos: Bosch 0-001-311-146

Lester Nos: 16954

WAI Ref. Nos: 2-1288-BO

Dim:

Batt. Term. M8 x 1.25

Motor Term. M8 x 1.25

Switch Term. Male Spade

Relay Term. Male Spade

Note: Plunger slot length 10.5mm.

Relay terminal width 5mm.

Components:

66-91216 Cap Assy.

66-91703 Movable Contact Kit

Features:

- Best Value

PLGR Starters



7-1182
Accurate

66-9189-5
Best Value

Solenoid

12 Volt, 3-Terminal

For: Bosch 218, 223 Series PLGR Starters

Used On: Deutz, Ditch Witch, KHD

Replaces: Bosch 9-330-331-010

Unit Nos: Bosch 0-001-218-172, 0-001-223-002

Lester Nos: 18230

WAI Ref. Nos: 2-1946-BO

Dim:

Batt. Term. M8 x 1.25

Motor Term. M8 x 1.25

Switch Term. M4 x 0.7 Hole



66-9191

Solenoid

12 Volt, 3-Terminal

For: Bosch DD, PLGR Starters

Used On: (2001-94) Land Rover

Replaces: Bosch 0-331-303-168

Unit Nos: Bosch 0-001-108-144, 0-001-109-008,

0-001-109-040, 0-001-110-120, 0-001-314-047

Lester Nos: 17705, 17792, 18234

WAI Ref. Nos: 2-1899-BO

Dim:

Batt. Term. M8 x 1.25

Motor Term. M8 x 1.25

Switch Term. Male Spade

Features:

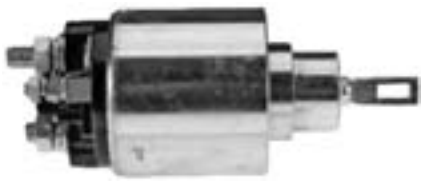
- Best Value
- 100% New at rebuilt prices

STARTER - SOLENOIDS (7- ACCURATE, 66- WAI)

PMGR Starters



7-708
Accurate



66-9164
Best Value

Solenoid

12 Volt, 3-Terminal

For: Bosch 108 Series PMGR Starters

Used On: (1996-88) Chrysler, Dodge, Merkur, Plymouth

Replaces: Bosch 0-331-303-137, 2-339-303-208

Unit Nos: Bosch 0-001-108-035, -037, -040, -084, -103, -104, -105, -134, -135; 0-001-110-019, -043

Lester Nos: 16963, 17011, 17210

WAI Ref. Nos: 2-1257-BO, 2-1386-BO, 2-1387-BO, 2-1394-BO

Dim:

Batt. Term. M8 x 1.25

Motor Term. M8 x 1.25

Switch Term. M5 x 0.8 Post

Components:

66-91209 Cap Assy.

66-91700 Movable Contact Assy.



7-744
Accurate



66-9147
Best Value

Solenoid

12 Volt, 3-Terminal

For: Bosch 108, 110 Series PMGR; 218 Series PLGR; 314 Series DD Starters

Used On: (1993-84) BMW, Mercedes

Replaces: Bosch 0-331-303-048, 0-331-303-053, 0-331-303-061

Unit Nos: Bosch 0-001-108-003; 0-001-110-016;

0-001-218-006, -009, -021, -108, -110, -161; 0-001-314-036

Lester Nos: 17016, 17038, 17039, 17040, 17043

WAI Ref. Nos: 2-1262-BO, 2-1275-BO, 2-1276-BO, 2-1278-BO, 2-1279-BO

Dim:

Batt. Term. M8 x 1.25

Motor Term. M8 x 1.25

Switch Term. M4 x 0.7 Hole

Components:

66-91210 Cap Assy.

66-91700 Movable Contact Assy.



7-741
Accurate



66-9155
Best Value

Solenoid

12 Volt, 4-Terminal

For: Bosch 108 Series PMGR; 208, 311 Series DD Starters

Used On: (1991-70) Peugeot, Porsche

Replaces: Bosch 0-331-303-019*, 0-331-303-030

Unit Nos: Bosch 0-001-108-021, 0-001-208-211*, 0-001-208-221, 0-001-311-134, 0-001-311-135

Lester Nos: 16619, 16621, 17023

WAI Ref. Nos: 2-1293-BO, 2-1345-BO, 2-1346-BO

Dim:

Batt. Term. M8 x 1.25

Motor Term. M8 x 1.25

Switch Term. M5 x 0.8 Post

Relay Term. M4 x 0.7 Hole

Note: *Requires 46-4150 male spade conversion terminal

Components:

66-91700 Movable Contact Assy.



7-745
Accurate



66-9146-5
Best Value

Solenoid

12 Volt, 4-Terminal

For: Bosch 108 Series PMGR; 311, 314 Series DD Starters

Used On: (1995-80) BMW, Saab, Volvo

Replaces: Bosch 0-331-303-008, 0-331-303-033, 0-331-303-074

Unit Nos: Bosch 0-001-108-012, 0-001-108-030,

0-001-108-038, 0-001-108-088, 0-001-108-089,

0-001-108-091, 0-001-108-092, 0-001-311-100,

0-001-311-125, 0-001-314-025

Lester Nos: 16557, 16616, 16617, 17013, 17135, 17276, 17406

WAI Ref. Nos: 2-1258-BO, 2-1260-BO, 2-1261-BO, 2-1283-BO, 2-1284-BO, 2-1290-BO, 2-1292-BO

Dim:

Batt. Term. M8 x 1.25

Motor Term. M8 x 1.25

Switch Term. Male Spade

Relay Term. Male Spade

Note: Relay-terminal width 5mm.

Similar to 7-853 (66-9126) except 7-853 has 6.5mm wide relay-terminal.

Components:

66-91211 Cap Assy.

66-91700 Movable Contact Assy.

STARTER - SOLENOIDS (7- ACCURATE, 66- WAI)

BOSCH

PMGR Starters (cont'd.)



7-746
Accurate



66-9163-2
Best Value

Solenoid
12 Volt, 3-Terminal

For: Bosch 108 Series PMGR Starters

Used On: (1994-87) Jeep

Replaces: Bosch 0-331-303-107

Unit Nos: Bosch 0-001-108-052, 0-001-108-154

Lester Nos: 16980

WAI Ref. Nos: 2-1231-BO

Dim:

Batt. Term. M8 x 1.25

Motor Term. M8 x 1.25

Switch Term. M5 x 0.8 Post

Note: With 37mm plunger body length.

Similar to 66-9168 except 66-9168 has 33mm plunger body length.

Components:

66-91208 Cap Assy.

66-91700 Movable Contact Assy.



7-819-HD
Accurate



66-9182-2
Best Value

Solenoid
12 Volt, 3-Terminal

For: Bosch 108, 110 Series PMGR; 208 Series DD Starters

Used On: (1991-78) Chrysler, Dodge, Plymouth

Replaces: Bosch 0-331-303-108

Unit Nos: Bosch 0-001-108-046, 0-001-108-066,

0-001-108-068, 0-001-108-069, 0-001-108-070,

0-001-110-024, 0-001-208-404, 0-001-208-407,

0-001-208-420, 0-001-208-421

Lester Nos: 16416, 16417, 16727, 16962, 16963, 16974,

17015, 17047, 17082, 17210, 17218

WAI Ref. Nos: 2-1380-BO, 2-1384-BO, 2-1385-BO,

2-1387-BO, 2-1392-BO, 2-1394-BO, 2-1396-BO

Dim:

Batt. Term. M8 x 1.25

Motor Term. M8 x 1.25

Switch Term. M4 x 0.7 Post

Note: Heavy duty version of 7-819 (66-9132)

Components:

66-91204 Cap Assy.

66-91700 Movable Contact Assy.



7-819
Accurate



66-9132-2
Best Value

Solenoid
12 Volt, 3-Terminal

For: Bosch 108 Series PMGR; 208 Series DD Starters

Used On: (1988-85) Chrysler, Dodge, Plymouth 2.2L, 2.5L

Replaces: Bosch 0-331-303-020, 0-331-303-022

Unit Nos: Bosch 0-001-108-013, 0-001-108-032,

0-001-108-045, 0-001-108-066, 0-001-208-209, 0-001-208-413

Lester Nos: 16727, 16962, 16963, 16976, 17218

WAI Ref. Nos: 2-1380-BO, 2-1385-BO, 2-1387-BO, 2-2027-BO

Dim:

Batt. Term. M8 x 1.25

Motor Term. M8 x 1.25

Switch Term. M4 x 0.7 Post

Note: Similar to 7-819-HD (66-9182) except 7-819-HD is heavy duty version

Components:

66-91204 Cap Assy.

66-91700 Movable Contact Assy.



7-853
Accurate



66-9126-2
Best Value

Solenoid
12 Volt, 4-Terminal

For: Bosch 107, 108, 110 Series PMGR; 114 Series PMDD;

157, 208, 211, 311, 314 Series DD Starters

Used On: (2002-72) Alfa Romeo, Audi, Fiat, Jeep, Land Rover, Peugeot, Pontiac, VW, Volvo, Winnebago

Replaces: Bosch 0-331-303-002, -006, -024, -026, -029, -059,

-066, -068, -070, -071, -094, -112, -502; 2-339-303-254

Lester Nos: 16257, 16401, 16408, 16531, 16541, 16547,

16556, 16622, 16623, 16726, 16781, 16953, 16956, 16980,

17025, 17030, 17062, 17121, 17124, 17134, 17157, 17164,

17165, 17222, 17223, 17224, 17225, 17226, 17231, 17233,

17408, 17413, 17508, 17663, 17751

Dim:

Batt. Term. M8 x 1.25

Motor Term. M8 x 1.25

Switch Term. Male Spade

Relay Term. Male Spade

Note: Relay terminal width 6.5mm.

Similar to 7-745 except 7-745 has 5mm wide relay terminal.

Components:

66-91203 Cap Assy.

66-91700 Movable Contact Assy.

STARTER - SOLENOIDS (7- ACCURATE, 66- WAI)

66-9126-3 Solenoid 12 Volt, 4-Terminal

Same as 7-853 except...

Features:

- Best Value
- Bulk packaged, 25/case



7-1107
Accurate

66-9187-5
Best Value

Solenoid 12 Volt, 3-Terminal

For: Bosch 107 Series PMGR Starters
Used On: (1997-96) Dodge, Plymouth
Replaces: Bosch 2-339-303-221
Unit Nos: Bosch 0-001-107-049, 9-007-045-009
Lester Nos: 17572
WAI Ref. Nos: 2-1681-BO

Dim:

Batt. Term. M8 x 1.25
 Motor Term. M8 x 1.25
 Switch Term. M6 x 1.0 Post (w/ Detachable Male Spade)

Note: Similar to 7-1119 (66-9169) except 7-1119 does not have rubber boot on plunger and distances between mtg. holes and plunger bore are closer together.

Components:

66-91215 Cap Assy.
 66-91700 Movable Contact Assy.
 76-91550 Switch Terminal



7-1119
Accurate

66-9169
Best Value

Solenoid 12 Volt, 3-Terminal

For: Bosch 107 Series PMGR Starters
Used On: (1999-95) Chrysler, Dodge, Eagle, Mitsubishi, Plymouth
Replaces: Bosch 2-339-303-210
Unit Nos: Bosch 0-001-107-031, 0-001-107-032
Lester Nos: 17560, 17563
WAI Ref. Nos: 2-1519-BO, 2-1681-BO

Dim:

Batt. Term. M8 x 1.25
 Motor Term. M8 x 1.25
 Switch Term. M6 x 1.0 Post (w/ Detachable Male Spade)

Note: Similar to 7-1107 (66-9187) except 7-1107 has rubber boot on plunger and distances between mtg. holes and plunger bore are farther apart.

Components:

66-91215 Cap Assy.
 66-91700 Movable Contact Assy.
 76-91550 Switch Terminal



7-1128
Accurate

66-9171
Best Value

Solenoid 12 Volt, 4-Terminal

For: Bosch 110 Series PMGR Starters
Used On: (1997-88) Jaguar
Replaces: Bosch 0-331-303-098
Unit Nos: Bosch 0-001-110-011
Lester Nos: 17149, 17690
WAI Ref. Nos: 2-1337-BO, 2-1911-BO

Dim:
 Batt. Term. M8 x 1.25
 Motor Term. M8 x 1.25
 Switch Term. M5 x 0.8 Hole
 Relay Term. M4 x 0.7 Hole



7-1133
Accurate

66-9173
Best Value

Solenoid 12 Volt, 3-Terminal

For: Bosch 107, 110, 121, 124, 125 Series PMGR Starters
Used On: (2005-92) Audi, VW
Replaces: Bosch 0-331-303-147; 2-339-303-222, -314
Unit Nos: Bosch 0-001-107-020, -021, -022, -023, -025; 0-001-110-076, -077, -084, -085, -086, -087, -118; 0-001-121-006, -008, -009; 0-001-124-001, -002, -003, -004; 0-001-125-005, -006, -007, -009, -010, -012, -018, -019
Lester Nos: 17030, 17415, 17416, 17417, 17724, 17725, 17755, 17780, 17781
WAI Ref. Nos: 2-1365-BO, 2-1532-BO, 2-1534-BO, 2-1535-BO, 2-1794-BO, 2-1890-BO, 2-1904-BO, 2-1974-BO, 2-1975-BO, 2-2116-BO

Dim:
 Batt. Term. M8 x 1.25
 Motor Term. M8 x 1.25
 Switch Term. Male Spade

STARTER - SOLENOIDS (7- ACCURATE, 66- WAI)

BOSCH

PMGR Starters (cont'd.)



7-1153
Accurate



66-9170
Best Value

Solenoid

12 Volt, 4-Terminal

For: Bosch 108, 110 Series PMGR; 218 Series PLGR; 311, 314 Series DD Starters

Used On: (2001-87) BMW, Mercedes, Saab

Replaces: Bosch 0-331-303-100, -102, -116, -117; 2-339-303-207

Unit Nos: Bosch 0-001-108-018, -042, -054, -064, -065, -115, -151; 0-001-110-041, -112; 0-001-218-027; 0-001-311-150, -151; 0-001-314-043, -045

Lester Nos: 16557, 16616, 16617, 17140, 17148, 17183, 17236, 17237, 17670, 17698

WAI Ref. Nos: 2-1260-BO, 2-1261-BO, 2-1263-BO, 2-1264-BO, 2-1266-BO, 2-1267-BO, 2-1268-BO, 2-1269-BO, 2-1457-BO, 2-1720-BO, 2-1722-BO

Dim:

Batt. Term. M8 x 1.25

Motor Term. M8 x 1.25

Switch Term. M6 x 1.0 Post

Relay Term. M5 x 0.8 Post

Components:

66-91213 Cap Assy.

66-91700 Movable Contact Assy.



7-1193
(Ref# 66-9192)

Solenoid

12 Volt, 3-Terminal

For: Bosch PMGR Starters

Used On: (2000-98) Chrysler, Dodge, Plymouth

Unit Nos: Bosch 9-007-045-018, Chrysler 4793804

Lester Nos: 17736

WAI Ref. Nos: 2-1937-BO

Dim:

Batt. Term. M8 x 1.25

Motor Term. M8 x 1.25

Switch Term. Male Spade

Features:

- Accurate



66-9168
(Ref# 7-707)

Solenoid

12 Volt, 3-Terminal

For: Bosch 108 Series PMGR Starters

Used On: (1989-85) Eagle, Renault

Replaces: Bosch 0-331-303-072*, 0-331-303-106

Unit Nos: Bosch 0-001-108-022*, 0-001-108-051, 0-001-108-056

Lester Nos: 16980, 17139, 17163

WAI Ref. Nos: 2-1231-BO, 2-1311-BO

Dim:

Batt. Term. M8 x 1.25

Motor Term. M8 x 1.25

Switch Term. M5 x 0.8 Post w/ Male Spade

Note: With 33mm plunger body length.

Similar to 66-9163 except 66-9163 has 37mm plunger body length.

*Requires included 46-4150 male spade conversion terminal,

Components:

66-91208 Cap Assy.

66-91700 Movable Contact Assy.

Features:

- Best Value



66-9190
Solenoid

12 Volt, 3-Terminal

For: Bosch 107, 110 Series PMGR Starters

Used On: (1999-95) Mercedes

Replaces: Bosch 2-339-304-002

Unit Nos: Bosch 0-001-107-037, 0-001-110-112; Mercedes 004-151-69-01, 004-151-70-01, VW-Audi 069-911-023G

Lester Nos: 17698, 17730

WAI Ref. Nos: 2-1720-BO, 2-1764-BO

Dim:

Batt. Term. M8 x 1.25

Motor Term. M8 x 1.25

Switch Term. M6 x 1.0 Post

Features:

- Best Value
- 100% New at rebuilt prices

STARTER - SOLENOIDS (7- ACCURATE, 66- WAI)



66-9196
Solenoid

12 Volt, 3-Terminal

For: Bosch PMGR Starters

Used On: Ford Tractors

Replaces: Bosch 0-331-303-140

Unit Nos: Bosch 0-001-107-014, -028; 0-001-108-106, -110, -133; 0-001-110-064, 0-001-113-009; Ford 91AB-11000-JB, 91BB-11000-HA, 92AB-11000-FA, 92AX-11000-FA

Lester Nos: 17011

Dim:

Batt. Term. M8 x 1.25

Motor Term. M8 x 1.25

Switch Term. M6 x 1.0 Post

Features:

- Best Value
- 100% New at rebuilt prices



7-980
Accurate



66-303
Best Value

Solenoid

12 Volt, 3-Terminal

For: Chrysler 'Tin Can' Type Starters w/ Externally Mtd. Solenoid

Replaces: Chrysler 1889146, 2642222, 2642884, 2642961, 2642964

Dim:

Batt. Term. 5/16-18

Motor Term. 8-32

Switch Term. 8-32 Post

Features:

- Accurate

7-980B

Solenoid

12 Volt, 3-Terminal

Same as 7-980 except...

Features:

- Accurate
- Bulk packaged, 12/case

CHRYSLER



7-971
Accurate

66-302
Best Value

Solenoid
12 Volt

For: Chrysler 1.5 HP, 1.8 HP OSGR Starters

Replaces: Chrysler 2932813, 3755267, 3837337, 3932813

Unit Nos: Chrysler 2875560, 3656575, 3656650, 3755250, 3755900, 4091950, 4091975, 4111855, 4111860, 4145359, 4145360

Lester Nos: 3250, 3257, 3258

Dim:

Switch Term. 8-32 Post

Note: Late type w/ mtg. ears. Wide gap in solenoid sleeve.

Used w/ 66-3700 movable contact assy.

Components:

66-3350 Terminal Post, Switch



66-300
(Ref# 7-964)
Solenoid
12 Volt

For: Chrysler 1.5 HP OSGR Starters

Used On: Chrysler, Dodge, Plymouth

Replaces: Chrysler 2275553, 2275554

Unit Nos: Chrysler 2095150, 2098500

Lester Nos: 3250

Dim:

Switch Term. 8-32 Post

Note: Early type wo/ mtg. ears.

Used w/ 66-3700 movable contact assy.

STARTER - SOLENOIDS (7- ACCURATE, 66- WAI)

DELCO

5MT, 10MT, 20-27MT, SD200, SD300



7-975
Accurate



66-101-6
Best Value

Solenoid

12 Volt, 4-Terminal

For: Delco 5MT, 8MT, 10MT, 20MT, 25MT, 27MT, SD200, SD300 Series DD Starters

Used On: (1990-73) AMC, Buick, Cadillac, Chevrolet, GMC, Jeep, Oldsmobile, Pontiac

Replaces: Delco 1114356, D969

Lester Nos: 3300, 3502, 3503, 3504, 3505, 3508, 3510, 3510M, 3524, 3525, 3533, 3535, 3551, 3557, 3560, 3561, 3562, 3563, 3601, 3627, 3629, 3630, 3631, 3633, 3635, 3636, 3637, 3649, 3656, 3664, 3675, 3676, 3678, 3681, 3682, 3685, 3686, 3688, 3689, 3691, 3696, 3725, 3764, 4038, 4149, 4151, 4162, 4174, 4189, 4208, 4227, 4263, 4339, 4347, 4349, 4430, 4509, 6303, 6304, 6305, 6343, 6376

Dim:

Batt. Term. 3/8-16

Motor Term. 3/8-16 (w/ 10-32 Int. Thd.)

Switch Term. 8-32 Post (RH)

Relay Term. 8-32 Post (LH)

Components:

66-1302-1 Cap

66-1703 Movable Contact Assy.

66-1755 Contact Finger, Relay

76-1560 Stationary Contact, Batt.

76-1563 Stationary Contact, Motor

66-1217 Solenoid Repair Kit

Features:

- Accurate
- Cadmium-plated movable contact to help prevent contacts from sticking. Ideal for diesel applications
- Terminal extension kit & plunger spring included
- Copper-wound coil with 132-turns same as OE
- Brown hi-temp cap
- Individually boxed

7-975B

Solenoid

12 Volt, 4-Terminal

Same as 7-975 except...

Features:

- Accurate
- Bulk packaged, 20/case



7-984
Accurate



66-100-6
Best Value

Solenoid

12 Volt, 4-Terminal

For: Delco 5MT, 10MT, 27MT, SD200, SD250, SD300 Series DD; 15GR Series OSGR Starters

Used On: (1996-81) AMC, Buick, Cadillac, Chevrolet, Ford, GMC, Isuzu, Jeep, Oldsmobile, Pontiac

Replaces: Delco 1114531, D984

Lester Nos: 3300, 3507, 3508, 3508M, 3510M, 3533, 3552, 3553, 3554, 3556, 3564, 3565, 3569, 3571, 3635, 3664, 3686, 3733, 3741, 3742, 3764, 3800, 3838, 4038, 4174, 4263, 6303, 6304, 6305, 6307, 6308, 6309, 6310, 6311, 6312, 6313, 6315, 6316, 6318, 6319, 6324, 6327, 6330, 6339, 6413

Dim:

Batt. Term. M10 x 1.5

Motor Term. 3/8-16 (w/ 10-32 Int. Thd.)

Switch Term. M5 x 0.8 Post (RH)

Relay Term. M5 x 0.8 Post (LH)

Note: With 20mm battery terminal length.

Components:

66-1308 Cap

66-1702 Movable Contact Assy.

66-1780 Contact Finger, Relay

76-1563 Stationary Contact, Motor

76-1577 Stationary Contact, Batt.

Features:

- Cadmium-plated movable contact to help prevent contacts from sticking. Ideal for diesel applications
- Terminal extension kit & plunger spring included
- Brown hi-temp cap
- Individually boxed

7-984B

Solenoid

12 Volt, 4-Terminal

Same as 7-984 except...

Features:

- Accurate
- Bulk packaged, 20/case

STARTER - SOLENOIDS (7- ACCURATE, 66- WAI)



7-997
(Ref# 66-100)
Solenoid

12 Volt, 4-Terminal

For: Delco 5MT, 10MT, 27MT, SD200, SD250, SD300 Series DD; 15GR Series OSGR Starters

Used On: (1996-81) AMC, Buick, Cadillac, Chevrolet, Ford, GMC, Isuzu, Jeep, Oldsmobile, Pontiac

Replaces: Delco 1114531, D984

Lester Nos: 3300, 3507, 3508, 3508M, 3510M, 3533, 3552, 3553, 3554, 3556, 3564, 3565, 3569, 3571, 3635, 3664, 3686, 3733, 3741, 3742, 3764, 3800, 3838, 4038, 4174, 4263, 6303, 6304, 6305, 6307, 6308, 6309, 6310, 6311, 6312, 6313, 6315, 6316, 6318, 6319, 6324, 6327, 6330, 6339, 6413

Dim:

Batt. Term. M10 x 1.5

Motor Term. 3/8-16 (w/ 10-32 Int. Thd.)

Switch Term. M5 x 0.8 Post (RH)

Relay Term. M5 x 0.8 Post (LH)

Note: Does not include 79-1126 terminal extension kit & plunger spring. With 20mm battery terminal length.

Components:

66-1308 Cap

66-1702 Movable Contact Assy.

66-1780 Contact Finger, Relay

76-1563 Stationary Contact, Motor

76-1577 Stationary Contact, Batt.

Features:

- Accurate
- Cadmium-plated movable contact to help prevent contacts from sticking. Ideal for diesel applications
- Brown hi-temp cap
- Individually boxed

7-997B
(Ref# 66-100)
Solenoid

12 Volt, 4-Terminal

Same as 7-997 except...

Features:

- Accurate
- Bulk packaged, 20/case

66-100-4
(Ref# 7-997)
Solenoid

12 Volt, 4-Terminal

Same as 7-997 except...

Note: Does not include 79-1126 terminal extension kit & plunger spring. With 20mm battery terminal length.

Features:

- Best Value
- 100% New at rebuilt prices
- Nickel-plated movable contact
- Copper-wound coil with same number of turns as OE
- Brown hi-temp cap
- Bulk packaged, 20/case

66-100-5
(Ref# 7-997)

Solenoid

12 Volt, 4-Terminal

Same as 7-997 except...

Note: Does not include 79-1126 terminal extension kit & plunger spring. With 20mm battery terminal length.

Features:

- Best Value
- 100% New at rebuilt prices
- Cadmium-plated movable contact to help prevent contacts from sticking. Ideal for diesel applications
- Copper-wound coil with same number of turns as OE
- Brown hi-temp cap
- Bulk packaged, 20/ case



7-999
(Ref# 66-101)
Solenoid

12 Volt, 4-Terminal

For: Delco 5MT, 8MT, 10MT, 20MT, 25MT, 27MT, SD200, SD300 Series DD Starters

Used On: (1990-73) AMC, Buick, Cadillac, Chevrolet, GMC, Jeep, Oldsmobile, Pontiac

Replaces: Delco 1114356, D969

Lester Nos: 3300, 3502, 3503, 3504, 3505, 3508, 3510, 3510M, 3524, 3525, 3533, 3535, 3551, 3557, 3560, 3561, 3562, 3563, 3601, 3627, 3629, 3630, 3631, 3633, 3635, 3636, 3637, 3649, 3656, 3664, 3675, 3676, 3678, 3681, 3682, 3685, 3686, 3688, 3689, 3691, 3696, 3725, 3764, 4038, 4149, 4151, 4162, 4174, 4189, 4208, 4227, 4263, 4339, 4347, 4349, 4430, 4509, 6303, 6304, 6305, 6343, 6376

Dim:

Batt. Term. 3/8-16

Motor Term. 3/8-16 (w/ 10-32 Int. Thd.)

Switch Term. 8-32 Post (RH)

Relay Term. 8-32 Post (LH)

Note: Does not include 79-1129 terminal extension kit & plunger spring.

Components:

66-1302-1 Cap

66-1703 Movable Contact Assy.

66-1755 Contact Finger, Relay

76-1560 Stationary Contact, Batt.

76-1563 Stationary Contact, Motor

66-1217 Solenoid Repair Kit

Features:

- Accurate
- Brown hi-temp cap
- Individually boxed

7-999B
(Ref# 66-101)
Solenoid

12 Volt, 4-Terminal

Same as 7-999 except...

Features:

- Accurate
- Bulk packaged, 20/case

STARTER - SOLENOIDS (7- ACCURATE, 66- WAI)

DELCO

5MT, 10MT, 20-27MT, SD200, SD300 (cont'd.)

7-999K

(Ref# 66-101)

Solenoid

12 Volt, 4-Terminal

Same as 7-999 except...

Note: Does not include plunger spring.

Features:

- Accurate
- Terminal extension kit included
- Brown hi-temp cap
- Individually boxed

66-101-4

(Ref# 7-999)

Solenoid

12 Volt, 4-Terminal

Same as 7-999 except...

Note: Does not include 79-1129 terminal extension kit & plunger spring.

Features:

- Best Value
- 100% New at rebuilt prices
- Nickel-plated movable contact
- Copper-wound coil with same number of turns as OE
- Brown hi-temp cap
- Bulk packaged, 20/case

66-101-5

(Ref# 7-999)

Solenoid

12 Volt, 4-Terminal

Same as 7-999 except...

Note: Does not include 79-1129 terminal extension kit & plunger spring.

Features:

- Best Value
- 100% New at rebuilt prices
- Cadmium-plated movable contact
- Copper-wound coil with same number of turns as OE
- Brown hi-temp cap
- Bulk packaged, 20/case



7-1039

(Ref# 66-120)

Solenoid

12 Volt, 4-Terminal

For: Delco 5MT, 10MT, 20MT, 22MT, 27MT, SD200, SD300 Series DD Series Starters

Used On: Allis-Chalmers, Cadillac, Chevrolet, Clark, Continental, Cummins, DMT Corp., Deutz Allis, Ford, GMC, Hyster, IHC, Isuzu, John Deere, Lister, Mack, Melroe, Mercury Marine, Oldsmobile, OMC, Perkins, Pontiac, Sperry New Holland, Teledyne, Tow Motor, Versatile, Waukesha, White Farm, Wisconsin

Replaces: Delco 1114524, 1114564, 1114566, D987, D994 (cont'd.)

(cont'd.)

Lester Nos: 3300, 3347, 3510M, 3512, 3533, 3733, 3876, 4000, 4038, 4046, 4149, 4162, 4167, 4174, 4193, 4200, 4201, 4206, 4215, 4224, 4233, 4234, 4236, 4246, 4247, 4249, 4253, 4254, 4266, 4267, 4271, 4272, 4274, 4275, 4276, 4280, 4307, 4318, 4328, 4337, 4339, 4383, 4385, 4387, 4392, 4398, 4438, 4516, 4537, 4545, 4573, 4778, 4788, 4946, 4949, 6147, 6148, 6151, 6156, 6157, 6164, 6165, 6166, 6167, 6168, 6170, 6171, 6173, 6177, 6179, 6180, 6312, 6512, 6519, 6521, 6536, 6542, 6705, 6706, 6708, 6709, 6710, 6713, 6716, 6720, 6721, 6728, 6733, 6736, 6737, 6738, 6739, 6740, 6743

Dim:

Batt. Term. M10 x 1.5
 Motor Term. 3/8-16 (w/ 10-32 Int. Thd.)
 Switch Term. M5 x 0.8 Post (RH)
 Relay Term. M5 x 0.8 Post (LH)

Note: Same as 7-984 (66-100) except w/ seals under battery, motor, relay & switch terminals.

Features:

- Accurate
- Cadmium-plated movable contact to help prevent contacts from sticking. Ideal for diesel applications
- Sealed terminals for industrial applications
- Terminal extension kit & plunger spring included
- Copper-wound coil with same number of turns as OE
- Brown hi-temp cap
- Individually boxed

28MT Series



7-994
Accurate

66-8404-2
Best Value

Solenoid

12 Volt, 3-Terminal

For: Delco 28MT Series OSGR Starters

Used On: Allis-Chalmers, Bobcat, Clark, Consolidated Diesel, Cummins, Deutz, Deutz-Allis, DMT, Dresser Construction, Ford New Holland, Ford Truck, Freightliner, Hyster, IHC, Jacobsen, Lincoln Electric, Lister-Petter, Mack, Massey Ferguson, Miller Electric, Oshkosh, Perkins, RVI, Teledyne, Toro, Versatile, Waukesha, White

Replaces: Delco 10457055, D930A

Unit Nos: Delco 1113273, 274, 275, 276, 278, 279, 280, 281, 282, 284, 286, 287, 288, 289, 290, 292, 297; 10479604, 606, 613, 615, 619

Lester Nos: 6573, 6585

Dim:

Batt. Term. M10 x 1.5
 Motor Term. M8 x 1.25
 Switch Term. M5 x 0.8 Post (LH)

Components:

66-84202 Solenoid Repair Kit
 71-84103 Plunger Boot

Features:

- OE-style movable contact w/ raised contact points
- Stationary contacts molded into cap like OE

STARTER - SOLENOIDS (7- ACCURATE, 66- WAI)



7-1045
Accurate

66-8408-2
Best Value

Solenoid
24 Volt, 3-Terminal

For: Delco 28MT Series OSGR Starters

Used On: Consolidated Diesel, Cummins, Detroit Diesel, Mack

Replaces: Delco 10457116

Unit Nos: Delco 1113277, 1113291, 10479605, 10479612

Lester Nos: 6574, 6582, 6594

Dim:

Batt. Term. M10 x 1.5

Motor Term. M8 x 1.25

Switch Term. M5 x 0.8 Post (LH)

Components:

66-84202 Solenoid Repair Kit

71-84103 Plunger Boot



7-1064
Accurate

66-8407-2
Best Value

Solenoid
24 Volt, 4-Terminal

For: Delco 28MT Series OSGR Starters

Used On: John Deere, Lister-Petter, Perkins

Replaces: Delco 10457115*, 10457152

Unit Nos: Delco 1113272, 10479600, 10479608, 10479616, 10479629

Dim:

Batt. Term. M10 x 1.5

Motor Term. M8 x 1.25

Switch Term. M5 x 0.8 Post (LH)

Relay Term. M5 x 0.8 Post (RH)

Note: *7-1064 & 66-8407-2 have relay terminal and will replace OE solenoids w/ dummy terminal.

Components:

66-84204 Solenoid Repair Kit

71-84103 Plunger Boot

Features:

- Jump-start protection cap



7-1063
Accurate

66-8406-2
Best Value

Solenoid
12 Volt, 4-Terminal

For: Delco 28MT Series OSGR Starters

Used On: Bluebird, Bobcat, Champion Motor Coach, Clark, Ford Truck, John Deere, Lister-Petter

Replaces: Delco 10457061*, 10457151, D937A

Unit Nos: Delco 1113271, 1113283, 1113285, 10479606, 10479607, 10479613, 10479614, 10479615, 10479617, 10479618, 10479620, 10479628, 10479630

Lester Nos: 6570, 6577, 6578, 6585, 6586, 6587, 6589, 6595, 6599, 6601

Dim:

Batt. Term. M10 x 1.5

Motor Term. M8 x 1.25

Switch Term. M5 x 0.8 Post (LH)

Relay Term. M5 x 0.8 Post (RH)

Note: *7-1063 & 66-8406-2 have relay terminal and will replace OE solenoids w/ dummy terminal.

Components:

66-84204 Solenoid Repair Kit

71-84103 Plunger Boot

Features:

- Jump-start protection cap



7-1134
Accurate

66-8405-2
Best Value

Solenoid
12 Volt, 3-Terminal

For: Delco 28MT Series OSGR Starters

Used On: (2002-89) Chevrolet, GMC

Replaces: Delco 10456454

Unit Nos: Delco 1113269, 1113270, 1113295, 1113296

Lester Nos: 6468, 6469

Dim:

Batt. Term. M10 x 1.5

Motor Term. M8 x 1.25

Switch Term. M4 x 0.7 Post (LH)

Components:

66-84203 Solenoid Repair Kit

STARTER - SOLENOIDS (7- ACCURATE, 66- WAI)

DELCO

30MT, 35MT Series



7-945
Accurate



66-103
Best Value

Solenoid

24 Volt, 4-Terminal, Insulated Base

For: Delco 30MT Series DD Starters

Replaces: Delco 1115513, 1115543, 1115583

Unit Nos: Delco 1113135, 148, 162, 163, 190, 205, 210, 242; 1114661, 671, 672

Dim:

Batt. Term. 3/8-16

Motor Term. 3/8-16

Switch Term. 8-32 Post (RH)

Grd. Term. 8-32 Post (LH)

7-945B

Solenoid

24 Volt, 4-Terminal, Insulated Base

Same as 7-945 except...

Features:

- Bulk packaged, 12/case



7-946
Accurate



66-122
Best Value

Solenoid

12 Volt, 4-Terminal, Grounded Base

For: Delco 35MT Ext. Rotatable DD Starters

Replaces: Delco 1115541, 1115584

Unit Nos: Delco 1113389, 391, 392, 396, 397, 399, 400, 401, 404, 405, 412, 413, 416, 417, 418, 419, 420, 421, 422, 424, 425, 426, 428, 430, 431, 432, 433, 434, 435, 436, 437, 439, 440, 441, 442, 446, 447, 473, 476, 478, 484, 488, 489, 490, 493, 494, 498, 499, 582, 586, 675, 681, 682, 684, 686, 687, 689, 698, 699

Dim:

Batt. Term. 3/8-16

Motor Term. 3/8-16

Switch Term. 8-32 Post

Relay Term. 8-32 Post

7-946B

Solenoid

12 Volt, 4-Terminal, Grounded Base

Same as 7-946 except...

Features:

- Bulk packaged, 12/case



7-951
Accurate



66-102
Best Value

Solenoid

12 Volt, 4-Terminal, Grounded Base

For: Delco 30MT, 35MT Series DD Starters

Replaces: Delco 1115510, 1115540, 1115582, D985

Unit Nos: Delco 1108092; 1113001, 006, 034, 038, 040, 049, 050, 052, 053, 056, 059, 070, 089, 090, 097, 100, 104, 106, 111, 114, 119, 121, 126, 136, 138, 149, 150, 153, 154, 155, 159, 160, 164, 165, 167, 169, 171, 172, 176, 177, 179, 183, 184, 187, 192-198, 200-203, 206, 209, 213, 215-218, 220, 223, 228, 229, 231-237, 243, 245, 302, 303, 339, 340, 345, 346, 367, 368, 373, 376-378, 380, 381, 383, 402, 409, 626, 633-637, 639-642, 644, 646-648, 650-657, 659-663, 665, 667, 668, 672, 673, 676, 680, 683, 685, 688, 690, 695, 696, 697; 1114662

Dim:

Batt. Term. 3/8-16

Motor Term. 3/8-16

Switch Term. 8-32 Post (RH)

Relay Term. 8-32 Post (LH)

7-951B

Solenoid

12 Volt, 4-Terminal, Grounded Base

Same as 7-951 except...

Features:

- Bulk packaged, 12/case

37MT Series



7-922

Solenoid

24 Volt, 4-Terminal, Insulated Base

For: Delco 37MT Series DD Starters

Replaces: Delco 1115605, D912A

Unit Nos: Delco 1993711

Dim:

Batt. Term. 1/2-13

Motor Term. 1/2-13

Switch Term. 10-32 Post (RH)

Grd. Term. 10-32 Post (LH)

Components:

66-1303 Cap

66-1552 Spring, Contact Return

66-1701 Movable Contact Assy.

76-1566 Stationary Contact, Batt.

76-1567 Stationary Contact, Motor

76-1569 Terminal Post, Grd. & Switch

66-1209 Solenoid Repair Kit

Features:

- Accurate
- Silver stationary contacts

STARTER - SOLENOIDS (7- ACCURATE, 66- WAI)



7-924
Accurate

66-123-5
Best Value

Solenoid

24 Volt, 3-Terminal, Grounded Base

For: Delco 37MT Series DD Starters

Replaces: Delco 1115619, D915A

Unit Nos: Delco 1993901, 902, 903, 905, 909, 910, 911, 914, 926, 972; 10478814, 10479175

Dim:

Batt. Term. 1/2-13

Motor Term. 1/2-13 (w/ 1/4-20 Int. Thd.)

Switch Term. 10-32 Post (RH)

Components:

66-1310 Cap

66-1552 Spring, Contact Return

66-1701 Movable Contact Assy.

76-1566 Stationary Contact, Batt.

76-1569 Terminal Post, Switch

76-1585 Stationary Contact, Motor

Features:

- Silver stationary contacts



7-937
(Ref# 66-116)

Solenoid

12 Volt, 3-Terminal, Grounded Base

For: Delco 37MT Series DD Starters

Replaces: Delco 1115591

Unit Nos: Delco 1990308, 1990319, 1990341

Dim:

Batt. Term. 1/2-13

Motor Term. 3/8-16

Switch Term. 10-32 Post (RH)

Note: Similar to 7-953 (66-130) except 7-953 has switch terminal on opposite side.

Components:

66-1552 Spring, Contact Return

66-1701 Movable Contact Assy.

76-1564 Stationary Contact, Batt.

76-1568 Stationary Contact, Motor

76-1569 Terminal Post, Grd. & Switch

Features:

- Accurate



7-931
Accurate

66-117-2
Best Value

Solenoid

12 Volt, 3-Terminal, Grounded Base

For: Delco 37MT Series DD Starters

Replaces: Delco 1115609, D904A; Ford E7HZ-11390-B, SW-2157

Unit Nos: Delco 1990309, 310, 313, 315, 316, 317, 320, 498; 1993705, 713, 736, 737, 738, 754, 755, 756, 759, 761, 762, 763, 764, 765, 768, 769, 770, 778, 787, 789, 794, 817, 819, 832, 837, 850, 853, 855, 865, 869, 871, 873, 874, 878, 879, 880, 881, 883, 884, 885, 886, 887, 898, 928, 931, 950, 951, 963, 964, 979, 994; 10478806, 831; 10479036, 068, 174

Dim:

Batt. Term. 1/2-13

Motor Term. 1/2-13 (w/ 1/4-20 Int. Thd.)

Switch Term. 10-32 Post (RH)

Note: Similar to 7-941 (66-118) except 7-941 has switch terminal on opposite side.

Similar to 7-1122 (66-146) used on 41MT but not interchangeable.

Components:

66-1310 Cap

66-1552 Spring, Contact Return

66-1701 Movable Contact Assy.

76-1564 Stationary Contact, Battery

76-1569 Terminal Post, Grd. & Switch

76-1576 Stationary Contact, Motor

66-1214 Solenoid Repair Kit



7-941
Accurate

66-118-5
Best Value

Solenoid

**12 Volt, 3-Terminal, Grounded Base
Reversed Terminals**

For: Delco 37MT Series DD Starters

Replaces: Delco 1115610; Ford E7HZ-11390-A, SW-2114

Unit Nos: Delco 1993767, 1993854, 10479195

Dim:

Batt. Term. 1/2-13

Motor Term. 1/2-13 (w/ 1/4-20 Int. Thd.)

Switch Term. 10-32 Post (LH)

Note: Similar to 7-931 (66-117) except 7-931 has switch terminal on opposite side

Components:

66-1552 Spring, Contact Return

66-1701 Movable Contact Assy.

76-1564 Stationary Contact, Battery

76-1569 Terminal Post, Switch

76-1576 Stationary Contact, Motor

STARTER - SOLENOIDS (7- ACCURATE, 66- WAI)

DELCO

37MT Series (cont'd.)



7-949

Accurate

66-119-1

Best Value

Solenoid

12 Volt, 3-Terminal, Grounded Base

For: Delco 37MT Series DD Starters

Replaces: Delco 1115612

Unit Nos: Delco 1993790, 1993791, 1993792, 1993793, 1993799, 1993818

Dim:

Batt. Term. 3/8-16

Motor Term. 1/2-13 (w/ 1/4-20 Int. Thd.)

Switch Term. 10-32 Post (RH)

Components:

66-1310 Cap

66-1552 Spring, Contact Return

66-1701 Movable Contact Assy.

76-1569 Terminal Post, Switch

76-1575 Stationary Contact, Battery

76-1576 Stationary Contact, Motor

66-1214 Solenoid Repair Kit



7-953

(Ref# 66-130)

Solenoid

**12 Volt, 3-Terminal, Grounded Base
Reversed Terminals**

For: Delco 37MT Series DD Starters

Replaces: Delco 1115596; Ford E6HZ-11390-A

Unit Nos: Delco 1990347

Dim:

Batt. Term. 1/2-13

Motor Term. 3/8-16

Switch Term. 10-32 Post (LH)

Note: Similar to 7-937 (66-116) except 7-937 has switch terminal on opposite side

Components:

66-1552 Spring, Contact Return

66-1701 Movable Contact Assy.

76-1566 Stationary Contact, Battery

76-1568 Stationary Contact, Motor

76-1569 Switch Terminal Post

Features:

- Accurate



7-952

Accurate

66-104-1

Best Value

Solenoid

12 Volt, 3-Terminal, Grounded Base

For: Delco 37MT Series DD Starters

Replaces: Delco 1115589

Unit Nos: Delco 1990311, 312, 318, 321, 322, 326, 327, 336; 1993709, 712, 719, 726, 728, 745, 746

Dim:

Batt. Term. 3/8-16

Motor Term. 3/8-16

Switch Term. 10-32 Post (RH)

Components:

66-1552 Spring, Contact Return

66-1701 Movable Contact Assy.

76-1568 Stationary Contact, Batt.

76-1568 Stationary Contact, Motor

76-1569 Terminal Post, Grd. & Switch



7-957

(Ref# 66-138)

Solenoid

**12 Volt, 4-Terminal, Insulated Base
Reversed Terminals**

For: Delco 37MT Series DD Starters

Replaces: Delco 1115617, D924A

Unit Nos: Delco 1993866, 1993971

Dim:

Batt. Term. 1/2-13

Motor Term. 1/2-13 (w/ 1/4-20 Int. Thd.)

Switch Term. 10-32 Post (LH)

Grd. Term. 10-32 Post (RH)

Note: Similar to 7-958 (66-127) except 7-958 has switch terminal on opposite side

Components:

66-1552 Spring, Contact Return

66-1701 Movable Contact Assy.

76-1564 Stationary Contact, Battery

76-1569 Terminal Post, Switch & Relay

76-1576 Stationary Contact, Motor

Features:

- Accurate

STARTER - SOLENOIDS (7- ACCURATE, 66- WAI)



7-958
Accurate

66-127-5
Best Value

Solenoid

12 Volt, 4-Terminal, Insulated Base

For: Delco 37MT Series DD Starters

Replaces: Delco 1115618, D923A

Unit Nos: Delco 1993947, 969, 970, 974, 997; 10478953, 035, 069, 169, 170

Dim:

Batt. Term. 1/2-13

Motor Term. 1/2-13 (w/ 1/4-20 Int. Thd.)

Switch Term. 10-32 Post (RH)

Grd. Term. 10-32 Post (LH)

Note: With 38mm battery terminal length.

Similar to 7-1108 (66-135) except 7-1108 has 43mm battery terminal length. Similar to 7-957 (66-138) except 7-957 has switch terminal on opposite side.

Components:

66-1303 Cap

66-1552 Spring, Contact Return

66-1701 Movable Contact Assy.

76-1564 Stationary Contact, Battery

76-1569 Terminal Post, Switch

76-1576 Stationary Contact, Motor

66-1214 Solenoid Repair Kit



7-959
Accurate

66-144-5
Best Value

Solenoid

24 Volt, 4-Terminal, Grounded Base

For: Delco 37MT Series DD Starters

Used On: Caterpillar Equipment

Replaces: Delco 1115622, 1115627, D916A, D921A

Unit Nos: Delco 1993917, 918, 920, 921, 930, 953, 954, 955, 986; 10478811, 819, 960, 976; 10479020

Dim:

Batt. Term. 1/2-13

Motor Term. 1/2-13 (w/ 1/4-20 Int. Thd.)

Switch Term. 10-32 Post (RH)

Dummy* Term. 10-32 Post (LH)

Note: With Jump-Start Protection cap. *Dummy terminal is used to secure cover used w/ Jump-Start Protection cap.

Similar to 7-924 (66-123) except 7-924 w/ Jump-Start Protection cap.

Components:

66-1315 Cap

66-1552 Spring, Contact Return

66-1701 Movable Contact Assy.

76-1566 Stationary Contact, Battery

76-1569 Terminal Post, Switch

76-1579 Terminal Post, Dummy

76-1585 Stationary Contact, Motor

(cont'd.)

(cont'd.)

Features:

- Jump-start protection cap
- Silver stationary contacts



7-960
Accurate

66-148-1
Best Value

Solenoid

12 Volt, 4-Terminal, Grounded Base

For: Delco 37MT Series DD Starters

Replaces: Delco 1115623, D917A

Unit Nos: Delco 1993851, 894, 956, 957, 958, 967, 981, 988, 992; 10478805, 927, 928, 929, 930, 957; 10479014, 015, 016, 034, 054, 186

Dim:

Batt. Term. 1/2-13

Motor Term. 1/2-13 (w/ 1/4-20 Int. Thd.)

Switch Term. 10-32 Post (RH)

Dummy* Term. 10-32 Post (LH)

Note: With Jump-Start Protection cap. *Dummy terminal is used to secure cover used w/ Jump-Start Protection cap.

Similar to 7-931 (66-117) except 7-931 w/ Jump-Start Protection cap.

Components:

66-1315 Cap

66-1552 Spring, Contact Return

66-1701 Movable Contact Assy.

76-1564 Stationary Contact, Battery

76-1569 Terminal Post, Switch

76-1576 Stationary Contact, Motor

76-1579 Terminal Post, Dummy

Features:

- Jump-start protection cap



7-1108
Accurate

66-135-1
Best Value

Solenoid

12 Volt, 4-Terminal, Insulated Base

For: Delco 37MT Series DD Starters

Replaces: Delco 1115643, D942A

Unit Nos: Delco 10478890, 10478921

Dim:

Batt. Term. 1/2-13

Motor Term. 1/2-13 (w/ 1/4-20 Int. Thd.)

Switch Term. 10-32 Post (RH)

Grd. Term. 10-32 Post (LH)

Note: With 43mm battery terminal length. Similar to 7-958 (66-127) except 7-958 has 38mm battery terminal length.

Components:

66-1303 Cap

66-1552 Spring, Contact Return

66-1701 Movable Contact Assy.

76-1569 Terminal Post, Grd. & Switch

76-1576 Stationary Contact, Motor

STARTER - SOLENOIDS (7- ACCURATE, 66- WAI)

DELCO

37MT Series (cont'd.)



7-1124
Accurate

66-105-2
Best Value

Solenoid

24 Volt, 4-Terminal, Insulated Base

For: Delco 37MT Series DD Starters

Replaces: Delco 1115594, 1115605, D912A

Unit Nos: Delco 1990330, 331, 332, 499; 1993701, 702, 707, 711, 729, 732, 741, 742, 744, 771, 773, 829, 831, 861, 862

Dim:

Batt. Term. 1/2-13

Motor Term. 1/2-13

Switch Term. 10-32 Post (RH)

Grd. Term. 10-32 Post (LH)

Components:

66-1303 Cap

66-1552 Spring, Contact Return

66-1701 Movable Contact Assy.

76-1566 Stationary Contact, Batt.

76-1567 Stationary Contact, Motor

76-1569 Terminal Post, Grd. & Switch

66-1209 Solenoid Repair Kit

Features:

- Silver stationary contacts

(cont'd.)

Note: Similar to 7-928NS (66-124) except 7-928NS has battery terminal on opposite side.

Components:

66-1203 Terminal Plate Assy.

66-1552 Spring, Contact Return

66-1700 Movable Contact Assy.

76-1553 Stationary Contact, Motor

76-1555 Stationary Contact, Batt.

76-1556 Terminal Post, Grd. & Switch

66-1207 Solenoid Repair Kit

Features:

- Accurate
- Chrome/copper stationary contacts

7-900NS
Accurate

66-107-2
Best Value

Solenoid

24 Volt, 4-Terminal, Insulated Base

Same as 7-900N except...

Features:

- Silver stationary contacts



7-900S
Accurate

66-109
Best Value

Solenoid

24 Volt, 4-Terminal, Insulated Base

For: Delco 40MT, 50MT Series DD Starters

Replaces: Delco 1119832, 1119848

Unit Nos: Delco 1109755, 757, 759, 768, 771, 772, 774-777, 780, 781, 788, 789, 791-795, 798, 799, 961, 962, 965, 966, 968, 969, 971, 977-979, 985, 986, 989, 998; 1113353, 366, 370, 384-387, 403, 407, 415, 445, 472, 477, 479, 481, 483, 485, 486, 818, 820, 824, 825, 827, 830-832, 840, 842, 845, 846, 849-853, 855-858, 864, 866, 867, 872-876, 879-883, 887, 888, 892, 895, 898, 900, 902, 905-907, 910, 914-918, 920, 926, 928, 935, 936, 938, 940-942, 947-952, 955-962, 965-978, 980-983, 986, 988, 990-995, 997, 998, 999; 1114657, 660, 663, 664, 666, 668, 669, 706, 711, 712, 715, 718, 727-730, 735, 737-739, 742, 743, 774, 776, 777, 781-785, 792, 793, 917

Dim:

Batt. Term. 1/2-13 (RH)

Motor Term. 1/2-13 (LH)

Switch Term. 10-32 Hole (RH)

Grd. Term. 10-32 Hole (LH)

Note: For late style solenoid w/ square terminal plate use 7-900NS (66-107).

Components:

66-1201 Terminal Plate Assy.

66-1552 Spring, Contact Return

66-1700 Movable Contact Assy.

76-1553 Stationary Contact, Motor

76-1555 Stationary Contact, Batt.

66-1205 Solenoid Repair Kit

Features:

- Silver stationary contacts

40MT, 50MT Series



7-900N
(Ref# 66-107)

Solenoid

24 Volt, 4-Terminal, Insulated Base

For: Delco 40MT, 50MT Series DD Starters

Replaces: Delco 1115559

Unit Nos: Delco 1109222, 285-292, 294, 296-299, 493, 494, 497, 553, 555, 624, 628, 630-633, 635, 637, 638, 640-649, 830, 832-842, 844-849; 1113533, 534-536, 539-542, 544, 545, 584, 585; 1114677, 679-689, 755, 756, 759, 762, 767, 772, 805, 840, 842-846, 848-859, 861-865, 871-880, 903, 905, 909, 910, 914-916, 921-923, 926, 935, 945, 947-953, 959, 963, 964, 968, 970-974, 979, 982, 987, 989, 995; 1990202, 210, 222, 227-229, 231-241, 243, 244, 247-251, 259, 260, 262-271, 273, 274, 276, 278, 279, 291, 297, 324, 328, 340, 343, 346; 1993700, 704, 739, 781, 847, 852, 860, 989; 10478846, 848, 850-853, 855, 856, 859, 860, 862-866, 869, 872-874, 878-880, 882, 883, 884, 887, 888, 903, 905-909, 911, 912; 10479144, 145

Dim:

Batt. Term. 1/2-13 (RH)

Motor Term. 1/2-13 (LH)

Switch Term. 10-32 Post (RH)

Grd. Term. 10-32 Post (LH)

(cont'd.)

STARTER - SOLENOIDS (7- ACCURATE, 66- WAI)



7-907
Accurate



66-110
Best Value

Solenoid

12 Volt, 4-Terminal, Insulated Base

For: Delco 40MT, 50MT Series DD Starters

Replaces: Delco 1119879

Unit Nos: Delco 1109790; 1113406, 408, 410, 474, 475, 480, 631, 638, 643, 645, 658, 664, 669, 670, 674, 678, 691, 693; 1114051, 052, 054-059, 061, 062, 064-067, 069-099, 103-107, 109-111, 114, 115, 117, 119, 122, 123, 125-130, 132-164, 167, 169, 170, 172, 174-188, 190, 191, 193, 194, 195, 199, 665, 700, 702-705, 708, 713, 714, 716, 720-726, 731, 734, 736, 741, 745, 773, 775, 779, 780, 787, 788, 791, 796-801, 803, 804, 806, 912, 919

Dim:

Batt. Term. 1/2-13 (RH)

Motor Term. 1/2-13 (LH)

Switch Term. 10-32 Hole (RH)

Grd. Term. 10-32 Hole (LH)

Note: For late style solenoid w/ square terminal plate use 7-907N (66-106)

Components:

66-1200 Terminal Plate Assy.

66-1552 Spring, Contact Return

66-1700 Movable Contact Assy.

76-1552 Stationary Contact, Motor

76-1554 Stationary Contact, Batt.

66-1204 Solenoid Repair Kit



7-907N
Accurate



66-106-2
Best Value

Solenoid

12 Volt, 4-Terminal, Insulated Base

For: Delco 40MT, 50MT Series DD Starters

Replaces: Delco 1115556

Unit Nos: Delco 1109295, 545, 554; 1113500, 532, 537, 538, 543, 547; 1114748-754, 757, 758, 761, 765, 766, 769-771, 802, 807-812, 814, 815, 817-819, 821-823, 825, 827, 828, 832, 834-836, 839, 882-886, 888-901, 904, 906, 908, 911, 913, 927-934, 938, 942, 943, 955-957, 960, 961, 967, 969, 975-977, 985, 986, 988, 990-994, 997; 1990208, 209, 211, 212, 214, 215, 218, 219, 221, 223, 224, 261, 277, 280, 296, 299, 303, 325, 329, 481; 1993703, 859, 864, 968; 10478813, 877, 881, 910, 917

Dim:

Batt. Term. 1/2-13 (RH)

Motor Term. 1/2-13 (LH)

Switch Term. 10-32 Post (RH)

Grd. Term. 10-32 Post (LH)

(cont'd.)

(cont'd.)

Note: With copper stationary contacts.

Similar to 7-907NS (66-126) except 7-907NS has silver contacts.

7-907N can be used to replace 7-907 (66-110).

Similar to 7-912N (66-112) except 7-912N has battery terminal on opposite side.

Components:

66-1202 Terminal Plate Assy.

66-1552 Spring, Contact Return

66-1700 Movable Contact Assy.

76-1552 Stationary Contact, Motor

76-1554 Stationary Contact, Batt.

76-1556 Terminal Post, Grd. & Switch

66-1206 Solenoid Repair Kit

7-907NS
Solenoid

12 Volt, 4-Terminal, Insulated Base

Same as 7-907N except...

Features:

- Accurate
- Silver stationary contacts



7-912
Solenoid

12 Volt, 4-Terminal, Insulated Base Reversed Terminals

For: Delco 40MT Series DD Starters

Replaces: Delco 1119862

Unit Nos: Delco 1113379; 1114101, 102, 112, 113, 116, 120, 121, 166, 168, 171, 173, 189, 192, 196, 197, 198, 701, 709, 733, 744, 789, 918

Dim:

Batt. Term. 1/2-13 (LH)

Motor Term. 1/2-13 (RH)

Switch Term. 10-32 Post (RH)

Grd. Term. 10-32 Post (LH)

Note: With copper stationary contacts.

For late style solenoid w/ square terminal plate use 7-912N.

Features:

- Accurate

STARTER - SOLENOIDS (7- ACCURATE, 66- WAI)

DELCO

40MT, 50MT Series (cont'd.)



7-912N
(Ref# 66-112)
Solenoid

12 Volt, 4-Terminal, Insulated Base Reversed Terminals

For: Delco 40MT Series DD Starters

Replaces: Delco 1115561

Unit Nos: Delco 1113379; 1114101, 102, 112, 113, 116, 120, 121, 166, 168, 171, 173, 189, 192, 196, 197, 198, 701, 709, 733, 744, 746, 747, 789, 820, 826, 829, 830, 831, 833, 881, 887, 902, 918, 936, 937, 939, 940, 941, 944, 965, 978, 984; 1990205, 206, 220, 300, 302, 304, 335, 339, 342

Dim:

Batt. Term. 1/2-13 (LH)

Motor Term. 1/2-13 (RH)

Switch Term. 10-32 Post (RH)

Grd. Term. 10-32 Post (LH)

Note: With copper stationary contacts.

Similar to 7-907N (66-106) except 7-907N has battery terminal on opposite side.

For early style solenoid w/ oval terminal plate use 7-912.

Components:

66-1552 Spring, Contact Return

66-1700 Movable Contact Assy.

76-1552 Stationary Contact, Motor

76-1554 Stationary Contact, Batt.

76-1556 Terminal Post, Grd. & Switch

Features:

- Accurate



7-925N
(Ref# 66-137)
Solenoid

32-64 Volt, 4-Terminal, Insulated Base

For: Delco 50MT Series DD Starters

Replaces: Delco 1115567

Unit Nos: Delco 1109280, 284, 629; 1990256, 258, 333; 1993740, 798; 10478807, 808, 827, 828, 829, 870, 871, 916, 919; 10479137, 138, 173

Dim:

Batt. Term. 1/2-13 (RH)

Motor Term. 1/2-13 (LH)

Switch Term. 10-32 Post (RH)

Grd. Term. 10-32 Post (LH)

(cont'd.)

(cont'd.)

Components:

66-1203 Terminal Plate Assy.

66-1552 Spring, Contact Return

66-1700 Movable Contact Assy.

76-1553 Stationary Contact, Motor

76-1555 Stationary Contact, Batt.

76-1556 Terminal Post, Grd. & Switch

66-1207 Solenoid Repair Kit

Features:

- Accurate
- Silver stationary contacts
- Face-plate terminals are sealed with rubber o-rings
- Teflon sprayed cavity significantly reduces plunger wear
- Coil terminations are epoxied
- Coil is wound to OE specs
- Cadmium-plated movable contact
- Coil is held firmly w/ 4-crimps
- High dome-shaped contacts (like OE)
- Nylon bushing (like OE)
- Hi-temp glass-filled insulators
- Late-style insulator (like OE)



7-928NS
(Ref# 66-124)
Solenoid

24 Volt, 4-Terminal, Insulated Base Reversed Terminals

For: Delco 40MT, 50MT Series DD Starters

Replaces: Delco 1115558

Unit Nos: Delco 1109831; 1113546, 587; 1114760, 841, 847, 860, 907; 1990213, 266, 307, 482

Dim:

Batt. Term. 1/2-13 (LH)

Motor Term. 1/2-13 (RH)

Switch Term. 10-32 Post (RH)

Grd. Term. 10-32 Post (LH)

Note: Similar to 7-900NS (66-107) except 7-900NS has battery terminal on opposite side

Components:

66-1552 Spring, Contact Return

66-1700 Movable Contact Assy.

76-1553 Stationary Contact, Motor

76-1555 Stationary Contact, Batt.

76-1556 Terminal Post, Grd. & Switch

Features:

- Accurate
- Silver stationary contacts
- Face-plate terminals are sealed with rubber o-rings
- Teflon sprayed cavity significantly reduces plunger wear
- Coil terminations are epoxied
- Coil is wound to OE specs
- Cadmium-plated movable contact
- Coil is held firmly w/ 4-crimps
- High dome-shaped contacts (like OE)
- Nylon bushing (like OE)
- Hi-temp glass-filled insulators
- Late-style insulator (like OE)

STARTER - SOLENOIDS (7- ACCURATE, 66- WAI)



**7-934
Solenoid**

32 Volt, 4-Terminal, Insulated Base

For: Delco 40MT, 50MT Series DD Starters
Replaces: Delco 1119836, 1119887
Unit Nos: Delco 1109769, 963, 970, 984; 1113859, 865, 870, 877, 899, 911, 921, 927, 937, 939, 954, 963, 964, 979; 1114707, 719, 763
Dim:
 Batt. Term. 1/2-13 (LH)
 Motor Term. 1/2-13 (RH)
 Switch Term. 10-32 Post (RH)
 Grd. Term. 10-32 Post (LH)

Note: For late style solenoid w/ square terminal plate use 7-934N.

Components:

- 66-1201 Terminal Plate Assy.
- 66-1552 Spring, Contact Return
- 66-1700 Movable Contact Assy.
- 76-1553 Stationary Contact, Motor
- 76-1555 Stationary Contact, Batt.
- 66-1205 Solenoid Repair Kit

Features:

- Accurate
- Silver stationary contacts



**7-1048
Solenoid**

24 Volt, 3-Terminal, Insulated Base

For: Delco 41MT Series DD Starters
Replaces: Delco 1115640, D931A
Unit Nos: Delco 10478817, 10478925
Lester Nos: 6634
Dim:
 Batt. Term. 1/2-13
 Motor Term. 1/2-13 (w/ 1/4-20 Int. Thd.)
 Switch Term. 10-32 Post (RH)

Features:

- Accurate
- Silver stationary contacts



**7-1121
Solenoid**

12 Volt, 4-Terminal, Insulated Base

For: Delco 41MT Series DD Starters
Replaces: Delco 1115638, D953A
Unit Nos: Delco 10478897, 10478999, 10479023, 10479060, 10479061, 10479215
Lester Nos: 6613, 6631, 6662, 6664, 6668
Dim:
 Batt. Term. 1/2-13
 Motor Term. 1/2-13 (w/ 1/4-20 Int. Thd.)
 Switch Term. 10-32 Post (RH)
 Grd. Term. 10-32 Post (LH)

Features:

- Accurate

41MT Series



**7-1046
(Ref# 66-147)
Solenoid**

24 Volt, 4-Terminal, Grounded Base

For: Delco 41MT Series DD Starters
Replaces: Delco 1115634
Unit Nos: Delco 1993995, 10478961, 10479013, 10479172
Lester Nos: 6513, 6633, 6666
Dim:
 Batt. Term. 1/2-13
 Motor Term. 1/2-13 (w/ 1/4-20 Int. Thd.)
 Switch Term. 10-32 Post (RH)
 Dummy* Term. 10-32 Post (LH)

Note: With Jump-Start Protection cap.
 *Dummy terminal is used to secure cover used w/ Jump-Start Protection cap.

Features:

- Accurate
- Jump-start protection cap
- Silver stationary contacts

STARTER - SOLENOIDS (7- ACCURATE, 66- WAI)

DELCO

41MT Series (cont'd.)



7-1122
(Ref# 66-146)
Solenoid

12 Volt, 3-Terminal, Grounded Base

For: Delco 41MT Series DD Starters

Replaces: Delco 1115639

Unit Nos: Delco 10478812, 10478818, 10479165

Dim:

Batt. Term. 1/2-13

Motor Term. 1/2-13 (w/ 1/4-20 Int. Thd.)

Switch Term. 10-32 Post (RH)

Note: Similar to 7-931 (66-117) used on 37MT but not interchangeable.

Also used on WAI's positive engagement replacement starters for 37MT applications: 50-113-1, 50-158-1, 50-159-1, 50-161-1, 50-162-1, 50-194-1

Components:

66-1214 Repair Kit

66-1310 Cap

66-1552 Spring, Contact Return

66-1701 Movable Contact Assy.

76-1564 Stationary Contact, Battery

76-1569 Terminal Post, Grd. & Switch

76-1576 Stationary Contact, Motor

Features:

- Accurate



7-1152
Accurate

66-145-2
Best Value

Solenoid

24 Volt, 4-Terminal, Insulated Base

For: Delco 41MT Series DD Starters

Replaces: Delco 1115641, D939A

Unit Nos: Delco 10478898, 10479024, 10479043, 10479079

Dim:

Batt. Term. 1/2-13

Motor Term. 1/2-13 (w/ 1/4-20 Int. Thd.)

Switch Term. 10-32 Post (RH)

Grd. Term. 10-32 Post (LH)

Components:

66-1303 Cap

76-1566 Stationary Contact, Battery

76-1585 Stationary Contact, Motor

Features:

- Silver stationary contacts

42MT Series



7-942
Accurate

66-113-2
Best Value

Solenoid

12 Volt, 4-Terminal, Insulated Base

For: Delco 42MT Series DD Starters

Replaces: Delco 1115593, 645

Unit Nos: Delco 1990337, 348, 349, 352-356, 358, 362, 363, 365, 370, 372, 375-377, 379, 385-387, 391, 393-395, 397, 398, 400, 403-406, 408, 417, 420, 421, 430, 431, 438, 439, 440-442, 446, 449, 467-471, 475, 477, 478, 483, 484, 486, 487, 489, 490, 492, 494-496; 1993772, 774-776, 783, 785, 795, 803, 806, 807, 813, 816, 820, 823, 849, 856, 863, 925, 961, 973; 10478801-804, 810, 816, 894, 895, 962, 964, 966, 967, 978, 983, 992, 997; 10479000, 018, 019, 021, 026-028, 030, 037, 038, 040, 041, 062, 063, 064, 065, 078, 080-082, 090-092, 099

Dim:

Batt. Term. 1/2-13

Motor Term. 1/2-13

Switch Term. 10-32 Post (RH)

Grd. Term. 10-32 Post (LH)

Note: With copper stationary contacts.

Similar to 7-956 (66-128) except 7-956 has silver stationary contacts.

Similar to 7-954 (66-115) except 7-954 has switch terminal on opposite side.

Components:

66-1303 Cap

66-1552 Spring, Contact Return

66-1701 Movable Contact Assy.

76-1564 Stationary Contact, Batt.

76-1565 Stationary Contact, Motor

76-1569 Terminal Post, Switch

66-1208 Solenoid Repair Kit



7-943
Accurate

66-114-2
Best Value

Solenoid

24 Volt, 4-Terminal, Insulated Base

For: Delco 42MT Series DD Starters

Replaces: Delco 1115595, 601, 608

Unit Nos: Delco 1990344, 350, 357, 359, 360, 361, 364, 366, 367, 368, 371, 373, 378, 382, 383, 388, 389, 413, 415, 418, 422, 432, 434, 435, 436, 437, 447, 453, 454, 455, 456, 457, 459, 460, 462, 463, 464, 474, 485, 491, 493, 497; 1993784, 786, 788, 796, 797, 801, 802, 804, 805, 808, 810, 812, 814, 815, 826, 828, 833, 835, 923, 924, 987, 991, 993; 10478820, 839, 980, 986, 989, 990, 996; 10479012, 022, 067, 164

(cont'd.)

STARTER - SOLENOIDS (7- ACCURATE, 66- WAI)

(cont'd.)

Dim:

Batt. Term. 1/2-13
 Motor Term. 1/2-13
 Switch Term. 10-32 Post (RH)
 Grd. Term. 10-32 Post (LH)

Note: Similar to 7-955 (66-129) except 7-955 has switch terminal on opposite side.
 Similar to 7-961 (66-141) except 7-961 has jump-start protection feature.

Components:

66-1303 Cap
 66-1552 Spring, Contact Return
 66-1701 Movable Contact Assy.
 76-1566 Stationary Contact, Batt.
 76-1567 Stationary Contact, Motor
 76-1569 Terminal Post, Grd. & Switch
 66-1209 Solenoid Repair Kit

Features:

- Silver stationary contacts



7-954
 Accurate

66-115-5
 Best Value

Solenoid

**12 Volt, 4-Terminal, Insulated Base
 Reversed Terminals**

For: Delco 42MT Series DD Starters

Replaces: Delco 1115598

Unit Nos: Delco 1990369, 374, 380, 396, 401, 407, 419, 448, 450, 451, 452, 458, 466, 473; 1993782, 811, 824; 10478918, 965, 977, 984, 985, 991; 10479003

Dim:

Batt. Term. 1/2-13
 Motor Term. 1/2-13
 Switch Term. 10-32 Post (LH)
 Grd. Term. 10-32 Post (RH)

Note: Similar to 7-942 (66-113) except 7-942 has switch terminal on opposite side

Components:

66-1552 Spring, Contact Return
 66-1701 Movable Contact Assy.
 76-1564 Stationary Contact, Battery
 76-1565 Stationary Contact, Motor
 76-1569 Terminal Post, Grd. & Switch



7-955
 Accurate

66-129-1
 Best Value

Solenoid

**24 Volt, 4-Terminal, Insulated Base
 Reversed Terminals**

For: Delco 42MT Series DD Starters

Replaces: Delco 1115597, 1115600, D903A

Unit Nos: Delco 1990381, 411, 414, 416; 1993822, 827, 996, 998, 999; 10478836, 892, 893, 979

Dim:

Batt. Term. 1/2-13
 Motor Term. 1/2-13
 Switch Term. 10-32 Post (LH)
 Grd. Term. 10-32 Post (RH)

Note: Similar to 7-943 (66-114) except 7-943 has switch terminal on opposite side

Components:

66-1552 Spring, Contact Return
 66-1701 Movable Contact Assy.
 76-1566 Stationary Contact, Battery
 76-1567 Stationary Contact, Motor
 76-1569 Switch, Relay Terminal Post

Features:

- Silver stationary contacts



7-956
 Accurate

66-128-1
 Best Value

Solenoid

12 Volt, 4-Terminal, Insulated Base

For: Delco 42MT Series DD Starters

Replaces: Delco 1115602, D900A

Unit Nos: Delco 1990423, 1990424, 1990427, 1990428, 1990429, 1993975, 10479072

Dim:

Batt. Term. 1/2-13
 Motor Term. 1/2-13
 Switch Term. 10-32 Post (RH)
 Grd. Term. 10-32 Post (LH)

Note: With silver stationary contacts. Similar to 7-942 (66-113) except 7-942 has copper stationary contacts.

Components:

66-1209 Solenoid Repair Kit
 66-1303 Cap
 66-1552 Spring, Contact Return
 66-1701 Movable Contact Assy.
 76-1566 Stationary Contact, Batt.
 76-1567 Stationary Contact, Motor
 76-1569 Terminal Post, Grd. & Switch

Features:

- Silver stationary contacts

STARTER - SOLENOIDS (7- ACCURATE, 66- WAI)

DELCO

42MT Series (cont'd.)



7-961
Accurate

66-141-1
Best Value

Solenoid

24 Volt, 4-Terminal, Insulated Base

For: Delco 42MT Series DD Starters

Used On: John Deere

Replaces: Delco 1115625, D919A

Unit Nos: Delco 1993842, 933, 936, 940, 941, 944, 945, 980; 10478937, 938, 939, 940, 941, 942, 943, 944, 946, 947, 948, 952, 988; 10479008, 009, 010, 011, 053, 168

Dim:

Batt. Term. 1/2-13

Motor Term. 1/2-13

Switch Term. 10-32 Post (RH)

Grd. Term. 10-32 Post (LH)

Note: Similar to 7-943 (66-114) except 7-943 wo/ Jump-Start Protection cap

Components:

66-1552 Spring, Contact Return

66-1701 Movable Contact Assy.

76-1566 Stationary Contact, Batt.

76-1567 Stationary Contact, Motor

Features:

- Jump-start protection cap
- Silver stationary contacts



7-1047
Accurate

66-142-1
Best Value

Solenoid

12 Volt, 4-Terminal, Insulated Base

For: Delco 42MT Series DD Starters

Replaces: Delco 1115624*, 1115642, D918A*, D940A

Unit Nos: Delco 1993934, 935, 937, 938, 939, 942, 943, 977, 982, 983; 10478832, 833, 931, 932, 933, 934, 935, 936, 951, 968, 971, 987; 10479004, 005, 006, 007, 017, 052

Dim:

Batt. Term. 1/2-13

Motor Term. 1/2-13

Switch Term. 10-32 Post (RH)

Grd. Term. 10-32 Post (LH)

Note: *4-terminal, insulated base, will also replace version w/ dummy R-terminal.

Similar to 7-942 (66-113) except that 7-942 does not have jump-start protection cap.

(cont'd.)

(cont'd.)

Components:

66-1315 Cap

66-1552 Spring, Contact Return

66-1701 Movable Contact Assy.

76-1564 Stationary Contact, Battery

76-1565 Stationary Contact, Motor

76-1569 Terminal Post, Grd. & Switch

Features:

- Jump-start protection cap



67-1806

Relay Switch

For: Delco 42MT Series DD Starters wo/ Over-crank Protection

Replaces: Delco 10457565, 10477892, 10483614

Note: Mounted w/ solenoid mounting screws, will replace Delco 10486209 C.E. mounted relay



67-1807

Relay Switch

For: Delco 42MT Series DD Starters w/ Over-crank Protection

Replaces: Delco 10457566, 19050598

Note: Mounted w/ solenoid mounting screws, will replace Delco 10486208 C.E. mounted relay

STARTER - SOLENOIDS (7- ACCURATE, 66- WAI)

PG100, PG150, PG150S Series



7-993
Accurate



66-131-1
Best Value

Solenoid 12 Volt, 3-Terminal

For: Delco PG100, PG150 Series PMGR Starters

Used On: (1993-88) Pontiac, Saturn

Replaces: Delco 10467421, 10468962

Unit Nos: Delco 9000751, 9000758, 9000785, 21020892, 21020893, 21021648

Lester Nos: 6401, 6432, 6433

Dim:

Batt. Term. M8 x 1.25

Motor Term. M8 x 1.25

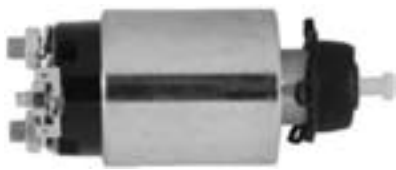
Switch Term. M6 x 1.0 Post (w/ Male Spade Adapter)

Features:

- Designed w/ 3 mounting holes for installation on PMGR starters
- Includes mounting screws



7-1130
Accurate



66-134
Best Value

Solenoid 12 Volt, 3-Terminal

For: Delco PG150S Series PMGR Starters

Used On: (1995-94) Saturn

Unit Nos: Delco 10465298, 21020761

Lester Nos: 6445

Dim:

Batt. Term. M8 x 1.25

Motor Term. M8 x 1.25

Switch Term. M6 x 1.0 Post (RH)

Note: M5 x 0.8 threaded mounting holes. Similar to 7-1044-3T (66-132) except 7-1044-3T has M4 x 0.7 threaded mounting holes.

Components:

71-1340 Plunger Boot

PG200, PG250, SD210, SD260 Series



7-991-3T
Accurate



66-121-3
Best Value

Solenoid 12 Volt, 3-Terminal

For: Delco PG200, PG250 Series PMGR; SD210, SD260 Series DD Starters

Used On: (1996-88) Buick, Cadillac, Chevrolet, GMC, Isuzu, Oldsmobile, Pontiac, Saturn

Replaces: Delco 1114582, D922A, D936A

Unit Nos: Delco 9000719, 735, 773, 775; 10455010, 011, 012, 013, 025, 026, 042, 047, 048, 051, 053, 054, 060, 061, 070, 076; 21021366

Lester Nos: 6407, 6415, 6416, 6418, 6419, 6424, 6433, 6442, 6443

Dim:

Batt. Term. M8 x 1.25

Motor Term. M8 x 1.25

Switch Term. M5 x 0.8 Post (RH)

Note: With mounting holes and screws.

For version wo/ mounting holes and screws use 7-991SD.

Similar to 7-992 (66-125) except 7-992 has relay terminal and M10 x 1.5 battery terminal

Components:

66-1212 Cap Assy. (OE Design)

66-1705 Movable Contact Assy. (OE Design)

66-1220-1 Solenoid Repair Kit (Aftermarket Design)

Features:

- Accurate
- Designed w/ 3 mounting holes for installation on PMGR starters
- Includes mounting screws

7-991-3TB

Solenoid

12 Volt, 3-Terminal

Same as 7-991-3T except...

Features:

- Accurate
- Bulk packaged, 20/case

66-121-7

Solenoid

12 Volt, 3-Terminal

Same as 7-991-3TB except...

Features:

- Best Value
- Bulk packaged, 25/case

STARTER - SOLENOIDS (7- ACCURATE, 66- WAI)

DELCO

PG200, PG250, SD210, SD260 Series (cont'd.)



7-991SD
Accurate



66-121-1
Best Value

Solenoid

12 Volt, 3-Terminal

For: Delco SD210, SD260 Series DD Starters

Used On: (1996-88) Buick, Cadillac, Chevrolet, GMC, Isuzu, Oldsmobile, Pontiac, Saturn

Replaces: Delco 1114582, D922A, D936A

Unit Nos: Delco 9000719, 735, 773, 775; 10455010, 011, 012, 013, 025, 026, 042, 047, 048, 051, 053, 054, 060, 061, 070, 076; 21021366

Lester Nos: 6407, 6415, 6416, 6418, 6419, 6424, 6433, 6442, 6443

Dim:

Batt. Term. M8 x 1.25

Motor Term. M8 x 1.25

Switch Term. M5 x 0.8 Post (RH)

Note: Without mounting holes and screws.

For version w/ mounting holes and screws use 7-991-3T.

Components:

66-1212 Cap Assy. (OE Design)

66-1705 Movable Contact Assy. (OE Design)

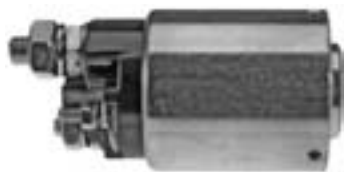
66-1220-1 Solenoid Repair Kit (Aftermarket Design)

Features:

- Competitively priced for use in SD210, 260 applications only



7-992
Accurate



66-125
Best Value

Solenoid

12 Volt, 4-Terminal

For: Delco PG200, PG250 Series PMGR Starters

Used On: (1994-91) Buick, Oldsmobile, Pontiac; Mercury Marine

Replaces: Delco 1114580, 1114581

Unit Nos: Delco 9000762, 9000763, 9000768, 9000776, 9000789, 9000797

Lester Nos: 6409, 6431

Dim:

Batt. Term. M10 x 1.5

Motor Term. M8 x 1.25

Switch Term. M5 x 0.8 Post (RH)

Relay Term. M5 x 0.8 Post (LH)

Note: Similar to 7-991-3T (66-121) except 7-991-3T has

M8 x 1.25 battery terminal and wo/ relay terminal

Components:

66-1706 Movable Contact Assy.

Features:

- Designed w/ 3 mounting holes for installation on PMGR starters
- Includes mounting screws

PG260 Series



7-1044
Accurate



66-133-2
Best Value

Solenoid

12 Volt, 4-Terminal

For: Delco PG260F1, PG260G, PG260L, PG260M Series PMGR Starters

Used On: Mercury Marine

Replaces: Delco 1114583

Unit Nos: Delco 9000821, 9000822, 9000840, 9000844, 9000867, 9000884, 9000885, 9000895;

Mercury Marine 50-806963A2, 50-806963A4, 50-806964A3, 50-806965A2, 50-807904A1, 50-812429A2, 50-863007A1;

OMC 3850526, 3854750, 3855882, 3856003, 3858463,

3860566, 988217; Volvo-Penta 3854750-1, 3856003-3

Lester Nos: 6562, 6563, 6791, 6792

Dim:

Batt. Term. M8 x 1.25

Motor Term. M8 x 1.25

Switch Term. M5 x 0.8 Post (RH)

Relay Term. M5 x 0.8 Post (LH)

Components:

66-1222 Cap Assy.

66-1655 Movable Contact

84-8910 Retainer, Movable Contact

7-1044B

Solenoid

12 Volt, 4-Terminal

Same as 7-1044 except...

Features:

- Accurate
- Bulk packaged, 20/case

STARTER - SOLENOIDS (7- ACCURATE, 66- WAI)



7-1044-3T
Accurate

66-132-2
Best Value

Solenoid
12 Volt, 3-Terminal

For: Delco PG260D, PG260F1, PG260F2, PG260G, PG260L, PG260M Series PMGR Starters

Used On: (2005-94) AM General, Buick, Cadillac, Chevrolet, Chevrolet Truck, GMC, GMC Truck, Isuzu, Oldsmobile, Pontiac, Saab, Saturn

Replaces: Delco 1114593, 1114599, 10475646

Unit Nos: Delco 8000045, 052, 058, 059; 9000786, 798, 804, 805, 806, 812, 819, 820, 827, 833, 834, 835, 836, 841, 847, 850, 851, 853, 854, 856, 857, 858, 859, 860, 861, 862, 863, 864, 865, 866, 868, 871, 872, 873, 874, 875, 876, 878, 879, 880, 881, 882, 896, 899, 900, 901, 904, 910, 925, 926, 927, 931, 933, 939, 951, 962, 964, 966, 973, 977, 979; 10455504, 24506694, 89017523

Lester Nos: 6449, 52, 70, 71, 72, 80, 81, 82, 84, 85, 86, 87, 89, 90, 91, 92, 93, 94; 6560, 6561

Dim:

Batt. Term. M8 x 1.25

Motor Term. M8 x 1.25

Switch Term. M5 x 0.8 Post (RH)

Note: M4 x 0.7 threaded mounting holes.

Components:

66-1223 Cap Assy.

66-1655 Movable Contact

84-8910 Retainer, Movable Contact

7-1044-3TB
Solenoid

12 Volt, 3-Terminal

Same as 7-1044-3T except...

Features:

- Accurate
- Bulk packaged, 20/case

66-132-3
Solenoid

12 Volt, 3-Terminal

Same as 7-1044-3TB except...

Features:

- Best Value
- Bulk packaged, 25/case



66-132-4
Solenoid

12 Volt, 3-Terminal

Same as 7-1044-3TB except...

Features:

- Latest OE vented design to reduce contact icing



66-153
Solenoid

12 Volt, 3-Terminal

For: Delco PG260D Series PMGR Starters

Used On: (2005-03) Nissan

Unit Nos: Delco 9000908, Hitachi S114-900, Nissan 23300-8U300

Lester Nos: 6749

Dim:

Batt. Term. M8 x 1.25

Motor Term. M8 x 1.25

Switch Term. Male Spade w/ Lead

Components:

76-89606 Wire Lead

Features:

- Best Value
- 100% New at rebuilt prices

SD205, SD255 Series



7-984SD
Accurate



66-143
Best Value

Solenoid

12 Volt, 3-Terminal

For: Delco SD205, SD255 Series DD Starters

Used On: (2000-96) Buick, Cadillac, Chevrolet, GMC, Isuzu, Oldsmobile, Pontiac

Replaces: Delco 1114584, D946A

Unit Nos: Delco 10455064, 065, 066, 067, 069, 071, 072, 073, 074, 084; 24507409, 410

Lester Nos: 6473, 6474, 6475, 6476, 6483

Dim:

Batt. Term. M8 x 1.25

Motor Term. 3/8-16 (w/ 10-32 Int. Thd.)

Switch Term. M5 x 0.8 Post (RH)

Note: Similar to 7-984 (66-100) except 7-984 has M10 x 1.5 battery terminal and relay terminal

Components:

66-1317 Cap

66-1702 Movable Contact Assy.

76-1589 Stationary Contact, Batt.

Features:

- Cadmium-plated movable contact to help prevent contacts from sticking. Ideal for diesel applications

66-143-2
Solenoid

12 Volt, 3-Terminal

Same as 7-984SD except...

Features:

- Best Value
- Bulk packaged, 25/case

STARTER - SOLENOIDS (7- ACCURATE, 66- WAI)

ELECTROPRECIZIA (ROMANIA)



7-719
(Ref# 66-9901)

Solenoid
12 Volt, 3-Terminal

For: Electroprecizia DD Starters (Romanian)

Used On: Allis-Chalmers, Long Tractor

Unit Nos: Electroprecizia DM2130, DM2134

WAI Ref. Nos: 2-1805-RO

Dim:

Batt. Term. M10 x 1.5

Motor Term. M10 x 1.5

Switch Term. M5 x 0.8 Post

Note: Applications with M8 x 1.25 battery and motor terminals require modifying battery cable end and field coil terminal

Features:

- Accurate



7-1022
Solenoid
6 Volt, 4-Terminal

Used On: Chrysler, Dodge, Ford Farm Tractors & Equipment, Plymouth

Replaces: Chrysler 1605435, 1605449, CH-2318; Delco 1451, 1460, 1469, 1114542; Ford 311007, SW-217; Prestolite 15-159, 15-188, SAW-4606, SAW-4606T, SAW-4608; United Technologies 8890-2

Dim:

2) 5/16-24 Contact Terms.

2) 10-32 Terminal

Note: Flat mounting bracket.

Mounting holes: 5/16 x 19/32, 2-13/64 on centers.

Features:

- Accurate
- Copper contact terminals
- Insulated base w/ phenolic housing

FORD

4", 4-1/2" Starters



7-1004
Solenoid
6 Volt, 3-Terminal

Used On: Ford, Hercules, Lincoln, Mercury, OMC, Studebaker

Replaces: Delco 1494, 1114545, U295, U925, U928, U937; Ford 21A-11450, NCA-11450-A, SW-1, SW-219; OMC 277317; Prestolite 15-2F, 15-130, 15-157, 15-173, 15-222, 15-602, SAW-4602, SAW-4605, SAW-4605M

Dim:

2) 5/16-24 Contact Terms.

1) 10-32 Terminal

Note: Flat mounting bracket.

Mounting holes: 5/16 x 19/32, 2-13/64 on centers.

Features:

- Accurate
- Copper contact terminals
- Insulated base w/ phenolic housing
- Push button contact



7-1025
Accurate

66-200
Best Value

Solenoid
12 Volt, 4-Terminal

Used On: AMC, Case, Caterpillar, Chrysler, Ford, IHC, OMC

Replaces: AMC 3130465, 3180465; Cole Hersee 24021; Ford B6AZ-11450-A, SW-3; OMC 980801, 982189, 985064

Dim:

2) 5/16-24 Contact Terms.

2) 10-32 Terminal

Note: Flat mounting bracket.

Mounting holes: 9/32 x 1/2, 2-13/64 on centers.

7-1025 is a universal solenoid which can be used on many 12 volt applications requiring a grounded base. The I-terminal is not used when replacing three terminal switches.

Features:

- Copper contact terminals
- Grounded base w/ phenolic housing

STARTER - SOLENOIDS (7- ACCURATE, 66- WAI)



7-1034
Accurate

66-202
Best Value

Solenoid

12 Volt, 4-Terminal

Used On: (1990-79) Ford, Lincoln, Mercury
Replaces: Ford E8TZ-11450-B, SW-1533-C; Prestolite SAZ-4201CG

Dim:
2) 5/16-18 Contact Terms.
1) 10-32 Switch Term.
1) 8-32 Ignition Term.

- Features:**
- Copper contact terminals
 - Grounded base w/ phenolic housing
 - Suppression diode for protection of electronic circuits



7-1035
Accurate

66-203
Best Value

Solenoid

12 Volt, 3-Terminal

Used On: (1991-84) Ford, Lincoln, Mercury
Replaces: Ford E7TZ-11450-A, E9TZ-11450-B, SW-1951-C

Dim:
2) 5/16-18 Contact Terms.
1) 10-32 Switch Term.

- Features:**
- Copper contact terminals
 - Grounded base w/ phenolic housing
 - Suppression diode for protection of electronic circuits

OSGR Starters



7-983
(Ref# 66-204)

Solenoid

12 Volt, 4-Terminal

For: Ford OSGR Starters
Used On: (1987-84) Ford, Lincoln, Mercury
Replaces: Ford E4FZ-11390-A, SW-1864
Unit Nos: Ford E4FZ-11002-A, E4LY-11002-A
Lester Nos: 3193, 3194

Dim:
Batt. Term. M10 x 1.5
Motor Term. 3/8-16 (w/ 10-32 Int. Thd.)
Switch Term. M5 x 0.8 Post (RH)

- Features:**
- Accurate



66-210
Solenoid

12 Volt, 3-Terminal

For: Ford 3.0-3.5kW OSGR Starters
Used On: (2005-01) Ford 6.0L, 7.3L (Powerstroke Diesel)
Unit Nos: Ford 1C3U-11000-AA, -AB, -AE; 1C3Z-11002-AA; 2C3T-11000-AA, -AB; 2C3Z-11002-A; 3C3U-11000-AB, -AC; 3C3Z-11002-AA

Lester Nos: 6669, 6670
Dim:
Batt. Term. M10 x 1.5
Motor Term. M10 x 1.5
Switch Term. M6 x 1.0 Post

- Features:**
- Best Value
 - 100% New at rebuilt prices

STARTER - SOLENOIDS (7- ACCURATE, 66- WAI)

FORD

PMGR Starters



7-987
Accurate

66-207-2
Best Value

Solenoid

12 Volt, 3-Terminal

For: Ford PMGR, PMGR External Thru Bolt Starters
Used On: (2006-95) Ford, Jaguar, Lincoln, Mazda, Mercury
Replaces: Ford F3RZ-11390-A, F78Z-11390-AA, SW-2506, SW-5204
Lester Nos: 3240, 3261, 3262, 3263, 3264, 3270, 3272, 3273, 6642, 6651, 6652, 6655, 6656, 6657, 6676
Dim:
 Batt. Term. M8 x 1.25
 Motor Term. M8 x 1.25
 Switch Term. M6 x 1.0 Post (RH)
Components:
 66-2203 Cap Assy.
 66-2550 Spring, Contact Return
 66-2551 Spring, Contact Cushion
 66-2755 Movable Contact
 66-2757 Insulator, Movable Contact (Bottom)



7-995B
(Ref# 66-205)

Solenoid

12 Volt, 3-Terminal

For: Ford PMGR Starters
Used On: (2001-89) Ford, Ford Truck, Lincoln, Mazda, Mercury
Replaces: Ford F3VY-11390-B, F4DZ-11390-A, SW-2502-A, SW-2508, SW-5038
Lester Nos: 3204, 3205, 3213, 3214, 3217, 3221, 3223, 3224, 3225, 3226, 3230, 3231, 3232, 3234, 3235, 3242, 3266, 3269, 3271
Dim:
 Batt. Term. M8 x 1.25
 Motor Term. M8 x 1.25
 Switch Term. Male Spade (LH)
Note: Similar to 7-1076ZM (66-208) except 7-1076ZM has M6 x 1.0 switch terminal post
Components:
 66-2201 Cap Assy.
 66-2550 Spring, Contact Return
 66-2551 Spring, Contact Cushion
 66-2755 Movable Contact
 66-2757 Insulator, Movable Contact (Bottom)
 66-2202 Solenoid Repair Kit
Features:

- Accurate
- Suppression diode
- Coil wound with same number of turns as OEM
- Hi-temp cap
- Bulk packaged, 20/case

66-205-2

(Ref# 7-995)

Solenoid

12 Volt, 3-Terminal

Same as 7-995B except...

Features:

- Best Value
- 100% New at rebuilt prices
- Suppression diode
- Individually boxed

66-205-3

Solenoid

12 Volt, 3-Terminal

Same as 7-995B except...

Features:

- Best Value
- Suppression diode
- Bulk packaged, 25/case



7-1076ZM
Accurate

66-208-2
Best Value

Solenoid

12 Volt, 3-Terminal

For: Ford PMGR, PMGR External Thru Bolt Starters
Used On: (2006-96) Ford, Lincoln, Mazda, Mercury
Replaces: Ford F6VZ-11390-A, SW-5112, SW-5203
Lester Nos: 3238, 3239, 3241, 3246, 3247, 3267, 3268, 3274, 6640, 6641, 6644, 6645, 6648, 6653, 6654, 6677
Dim:
 Batt. Term. M8 x 1.25
 Motor Term. M8 x 1.25
 Switch Term. M6 x 1.0 Post (LH)
Note: Also replaces 7-995 (66-205) solenoid w/ male spade S-terminal.

Components:

- 66-2204 Cap Assy.
- 66-2550 Spring, Contact Return
- 66-2551 Spring, Contact Cushion
- 66-2755 Movable Contact
- 66-2757 Insulator, Movable Contact (Bottom)
- 79-2503 Terminal Kit

Features:

- Late style M6 x 1.0 threaded S-terminal post
- Includes male spade terminal connector for replacing early style solenoids

66-208-3

Solenoid

12 Volt, 3-Terminal

Same as 7-1076ZM except...

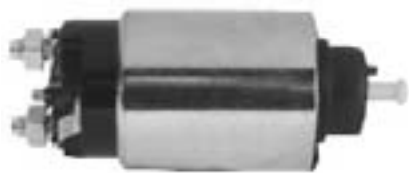
Features:

- Best Value
- Bulk packaged, 25/case

STARTER - SOLENOIDS (7- ACCURATE, 66- WAI)



7-1086
Accurate



66-209-2
Best Value

Solenoid
12 Volt, 3-Terminal

For: Ford PMGR, PMGR Noseless Starters
Used On: (2005-97) Ford, Lincoln, Mercury
Replaces: Ford F75Z-11390-AA, F8ZZ-11390-BA, SW-5189
Unit Nos: Ford F75U-11000-AB, F75U-11000-AC, F7UU-11000-AA, F7UZ-11002-AA, F81U-11000-AA, F81U-11000-AC, F81Z-11002-AA, XL1U-11000-AA, XL1U-11000-AB, XL1Z-11002-AA, SA-842, SA-848, SA-873, SA-875
Lester Nos: 3267, 6646, 6647, 6658
Dim:
 Batt. Term. M8 x 1.25
 Motor Term. M8 x 1.25
 Switch Term. M6 x 1.0 Post (LH)
Note: With plunger boot. Similar to 7-1076ZM (66-208) except 7-1076ZM wo/ plunger boot.
Components:
 66-2204 Cap Assy.
 66-2550 Spring, Contact Return
 66-2551 Spring, Contact Cushion
 66-2755 Movable Contact
 66-2757 Insulator, Movable Contact (Bottom)



7-673
Accurate



66-8149-1
Best Value

Solenoid
12 Volt, 3-Terminal

For: Hitachi DD Starters
Used On: Honda, John Deere, Kawasaki
Unit Nos: Hitachi S108-63; S108-76, A
Lester Nos: 18309
WAI Ref. Nos: 2-1775-HI
Dim:
 Batt. Term. M8 x 1.25
 Motor Term. M8 x 1.25
 Switch Term. Male Spade
Components:
 66-81200 Cap Assy.
 66-81700 Movable Contact Assy.



7-676
Accurate



66-8146
Best Value

Solenoid
12 Volt, 3-Terminal

For: Hitachi DD Starters
Used On: (1994-89) Mercury, Nissan
Replaces: Ford F3XY-11390-A, SW-2383; Nissan 23343-0B000, 23343-30R01, 23343-70Y00, 23343-70Y00, 23343-85A01
Unit Nos: Hitachi S114-519A, S114-617A, S114-630, S114-755, S114-756, S114-757, S114-769
Lester Nos: 17147, 17161, 17295, 17476, 17479
WAI Ref. Nos: 2-1115-HI, 2-1118-HI, 2-1441-HI, 2-1542-HI
Dim:
 Batt. Term. M8 x 1.25
 Motor Term. M8 x 1.25
 Switch Term. Male Spade w/ Lead
Components:
 66-81209 Cap Assy.
 66-81701 Movable Contact Assy.
 76-89606 Switch Term. Lead

HITACHI

DD Starters



7-669
Accurate



66-8116
Best Value

Solenoid
12 Volt, 3-Terminal

For: Hitachi DD Starters
Used On: (1991-84) Honda
Replaces: Honda 31204-PD4-005
Unit Nos: Hitachi S114-396, D; S114-406, S114-411, S114-412, S114-614
Lester Nos: 16843
WAI Ref. Nos: 2-1013-HI
Dim:
 Batt. Term. M8 x 1.25
 Motor Term. M8 x 1.25
 Switch Term. Male Spade
Note: 7-669 (66-8116) will also replace Hitachi 2114-67503 solenoid used on Lester 18056, 18322 when used w/ 76-7550 conversion screw-on switch terminal.

STARTER - SOLENOIDS (7- ACCURATE, 66- WAI)

HITACHI

DD Starters (cont'd.)



7-761
Accurate



66-8118
Best Value

Solenoid
12 Volt, 4-Terminal

For: Hitachi DD Starters

Used On: Volvo Penta Marine

Unit Nos: Hitachi S114-237;

Volvo-Penta 834339-4, 834976-3, 840808-0, 859553-0

WAI Ref. Nos: 2-1735-HI

Dim:

Batt. Term. M8 x 1.25

Motor Term. M8 x 1.25

Switch Term. Male Spade

Relay Term. Male Spade

Components:

66-81700 Movable Contact Assy.



7-792
Accurate



66-8113-2
Best Value

Solenoid
12 Volt, 3-Terminal

For: Hitachi DD Starters

Used On: (1989-81) Nissan; Iseki, Isuzu, John Deere

Unit Nos: Hitachi S114-295, S114-352, S114-370, S114-370A, S114-427

Lester Nos: 16773, 18321

WAI Ref. Nos: 2-1085-HI

Dim:

Batt. Term. M8 x 1.25

Motor Term. M8 x 1.25

Switch Term. Male Spade

Components:

66-81205 Cap Assy.

66-81700 Movable Contact Assy.



7-763
Accurate



66-8114-1
Best Value

Solenoid
12 Volt, 3-Terminal

For: Hitachi DD Starters

Used On: Ford Tractor, Ishikawajima

Unit Nos: Hitachi S12-62*, S13-32, A; S13-61A*

WAI Ref. Nos: 2-2026-HI

Dim:

Batt. Term. M8 x 1.25

Motor Term. M8 x 1.25

Switch Term. M4 x 0.7 Hole

Note: *Requires 46-4150 male spade conversion terminal (included)

Components:

66-81200 Cap Assy.

66-81700 Movable Contact Assy.



7-822
Accurate



66-8105-1
Best Value

Solenoid
12 Volt, 3-Terminal

For: Hitachi DD, OSGR Starters

Used On: (1987-70) Nissan; Ishikawajima, Onan, Toyosha, Yanmar (Diesel)

Replaces: Ishikawajima 185816180, 185816180; Nissan 23343-07G00, -H5000, -H5001, -N3300, -N3301, -V0700, -W1000, -W1700; Yanmar X-211457001, X-211497004

Unit Nos: Hitachi S13-47, A; S13-50, A; S13-60, S13-64, S13-65, S13-69, S114-146, S114-160, D, E, F; S114-161, E, F; S114-162A, D; S114-163, E; S114-164; S114-170, B, E; S114-172A, D, E; S114-173E, F; S114-174, S114-180; S114-182, G; S114-218A; S114-229E, F; S114-235, A; S114-296, A; S114-301, S114-304, S114-381, S114-382, S114-446

Lester Nos: 16194, 16203, 16205, 16207, 16209, 16211, 16246, 16579, 16710, 16711, 16733, 16772, 16986, 17300, 17305, 18052, 18207

WAI Ref. Nos: 2-1076-HI, 2-1077-HI, 2-1079-HI, 2-1081-HI, 2-1083-HI, 2-1087-HI, 2-1090-HI, 2-1091-HI, 2-1724-HI, 2-2007-HI

Dim:

Batt. Term. M8 x 1.25

Motor Term. M8 x 1.25

Switch Term. Male Spade

Components:

66-81200 Cap Assy.

66-81700 Movable Contact Assy.

STARTER - SOLENOIDS (7- ACCURATE, 66- WAI)



7-823
Accurate

66-8102
Best Value

Solenoid
12 Volt, 3-Terminal

For: Hitachi DD Starters

Used On: Nissan

Replaces: Nissan 23343-21000, 23343-21005, 23343-21006, 23343-E6800

Unit Nos: Hitachi S114-103K, L, M, N, P; S114-108L, S114-121, N; S114-122, N; S114-126, M

Lester Nos: 16203, 16209

WAI Ref. Nos: 2-1076-HI, 2-1079-HI

Dim:

Batt. Term. M8 x 1.25

Motor Term. M8 x 1.25

Switch Term. Male Spade



7-864
Accurate

66-8120
Best Value

Solenoid
12 Volt, 3-Terminal

For: Hitachi DD, PMDD Starters

Used On: (1994-81) Nissan, Subaru

Unit Nos: Hitachi S114-348, S114-419, A; S114-426, S114-556A

Lester Nos: 16805, 17057

WAI Ref. Nos: 2-1086-HI, 2-1211-HI

Dim:

Batt. Term. M8 x 1.25

Motor Term. M8 x 1.25

Switch Term. Male Spade

Components:

66-81207 Cap Assy.

66-81701 Movable Contact Assy.

66-8120-3
Solenoid

12 Volt, 3-Terminal

Same as 7-864 except...

Features:

- Best Value
- Bulk packaged, 25/case



7-831
Accurate

66-8111-5
Best Value

Solenoid
12 Volt, 3-Terminal

For: Hitachi DD Starters

Used On: (1987-76) Isuzu, Opel; Komatsu, Nissan Lift Truck, Teledyne Continental

Replaces: Hitachi 2114-17006, -27001, -37003, -67006;

Honda 31204-634-670, -671; Isuzu 8-94208-303-0, 8-94216-633-0, 8-94217-772-0, 8-94218-772-0; Nissan 23343-C0600

Unit Nos: Hitachi S114-184, -202, -202A, -247, -247A, -247C, -271, -433; Honda, 31200-634-671; Isuzu, 8-94130-560-0, 8-94204-438-0, 8-94213-538-1, 8-94213-822-0, 8-94222-688-0, 8-94234-065-0; Nissan, 23300-C0600

Lester Nos: 16203, 16270, 16499, 16877, 18110

WAI Ref. Nos: 2-1006-HI, 2-1192-HI, 2-1437-HI, 2-1736-HI

Dim:

Batt. Term. M8 x 1.25

Motor Term. M8 x 1.25

Switch Term. M4 x 0.7 Hole

Note: Double drilled w/ 4-hole locations for the return spring.

Components:

66-81203 Cap Assy.

66-81700 Movable Contact Assy.



7-877
(Ref# 66-8109)
Solenoid

12 Volt, 3-Terminal

For: Hitachi DD, OSGR Starters

Used On: (1988-82) Nissan; Bobcat, Yanmar

Unit Nos: Hitachi S114-315, S114-316; S114-317, A, B; S114-318, A; S114-319; S114-320, A; S114-345, A; S114-364, S114-377, S114-378, S114-413A, S114-414A, S114-424, S114-651, S114-651A

Lester Nos: 16732, 16774, 16775, 16918, 16991, 17057

WAI Ref. Nos: 2-1092-HI, 2-1093-HI, 2-1094-HI, 2-1096-HI, 2-1097-HI, 2-1098-HI, 2-1211-HI, 2-2008-HI

Dim:

Batt. Term. M8 x 1.25

Motor Term. M8 x 1.25

Switch Term. Male Spade

Components:

66-81204 Cap Assy.

66-81701 Movable Contact Assy.

Features:

- Accurate

STARTER - SOLENOIDS (7- ACCURATE, 66- WAI)

HITACHI

DD Starters (cont'd.)



7-887
Accurate

66-8108-1
Best Value

Solenoid
12 Volt, 3-Terminal

For: Hitachi DD Starters
Used On: (1982-81) Nissan (Diesel); Allis-Chalmers, Toyosha
Unit Nos: Hitachi S12-19C, KB; S12-63, A, B, C; S12-68A, B, D; S12-77, A; S12-82, S13-55
Lester Nos: 16771, 16808
WAI Ref. Nos: 2-1089-HI, 2-2032-HI
Dim:
 Batt. Term. M8 x 1.25
 Motor Term. M8 x 1.25
 Switch Term. M4 x 0.7 Hole



7-1159
(Ref# 66-8129)
Solenoid
24 Volt, 3-Terminal

For: Hitachi DD Starters
Used On: Nissan Lift Truck
Unit Nos: Hitachi S25-64E
Dim:
 Batt. Term. M8 x 1.25
 Motor Term. M8 x 1.25
 Switch Term. M4 x 0.7 Hole
Note: Includes 46-4150 male spade conversion terminal
Features:
 • Accurate



7-888
Accurate

66-8107-5
Best Value

Solenoid
12 Volt, 3-Terminal

For: Hitachi DD, OSGR Starters
Used On: (1986-83) Nissan; John Deere, Kubota, Massey Ferguson, Melroe, Toyosha, Yanmar
Unit Nos: Hitachi S12-52, S12-58, S12-61, S12-79, S13-14, S13-24A, S13-28, S13-31, S13-34A*, S13-36, S13-40, S13-40A, S13-41, S13-41A, S13-43*, S13-45*, S13-45A*, S13-45B*, S13-46, S13-46A, S13-78
Lester Nos: 16739, 16771
WAI Ref. Nos: 2-1088-HI, 2-1193-HI, 2-2016-HI
Dim:
 Batt. Term. M8 x 1.25
 Motor Term. M8 x 1.25
 Switch Term. M4 x 0.7 Hole
Note: *Requires 46-4150 male spade conversion terminal
Components:
 66-81700 Movable Contact Assy.



7-1161
(Ref# 66-8147)
Solenoid
12 Volt, 3-Terminal

For: Hitachi DD Starters
Used On: Navistar, UD Nissan Diesel
Unit Nos: Hitachi S15-02, S15-03
WAI Ref. Nos: 2-1804-HI
Dim:
 Batt. Term. M12 x 1.75
 Motor Term. M12 x 1.75
 Switch Term. M5 x 0.8 Hole
Features:
 • Accurate

STARTER - SOLENOIDS (7- ACCURATE, 66- WAI)



66-8101
(Ref# 7-762)
Solenoid

12 Volt, 3-Terminal

For: Hitachi DD Starters

Used On: Isuzu, Nissan, Thermo King

Replaces: Isuzu 9-82150-052-0, 9-82150-071-0; Nissan 23343-37502, 23343-37503, 23343-99013; Thermo King 44-2911

Unit Nos: Hitachi S12-24, S12-41A, S12-59, S13-06A

Lester Nos: 17089

WAI Ref. Nos: 2-1734-HI

Dim:

Batt. Term. M8 x 1.25

Motor Term. M8 x 1.25

Switch Term. M4 x 0.7 Hole

Features:

- Best Value
- 100% New at rebuilt prices



66-8131
Solenoid

12 Volt, 3-Terminal

For: Hitachi DD Starters

Used On: Gehl, Hydra-Mac Skid Steer Loaders w/ Isuzu Diesel Engines

Replaces: Isuzu 5-81151-068-0

Unit Nos: Hitachi S114-385, S114-387;

Isuzu 5-81100-192-0, 5-81100-192-1, 5-81100-215-0

Lester Nos: 18056, 18322

WAI Ref. Nos: 2-1855-HI

Dim:

Batt. Term. M8 x 1.25

Motor Term. M8 x 1.25

Switch Term. M4 x 0.7 Hole

Features:

- Best Value
- 100% New at rebuilt prices

OSGR Starters



66-8123
(Ref# 7-758)
Solenoid

12 Volt, 3-Terminal

For: Hitachi DD, PMGR Starters

Used On: (1995-87) Nissan

Replaces: Nissan 23343-17C00, 23343-18C02, 23343-G8400

Unit Nos: Hitachi S114-306; S114-527, A, B; S114-605; S114-607, C

Lester Nos: 16992, 17454

WAI Ref. Nos: 2-1113-HI, 2-1122-HI

Dim:

Batt. Term. M8 x 1.25

Motor Term. M8 x 1.25

Switch Term. Male Spade w/ Lead

Components:

66-81211 Cap Assy.

66-81701 Movable Contact Assy.

76-89600 Switch Term. Lead

Features:

- Best Value
- 100% New at rebuilt prices



7-670
Accurate

66-8152-1
Best Value

Solenoid

12 Volt, 3-Terminal

For: Hitachi 1.4kW OSGR Starters

Used On: (1994-89) Nissan

Unit Nos: Hitachi S114-461, A, B

Lester Nos: 17145

WAI Ref. Nos: 2-1116-HI

Dim:

Batt. Term. M8 x 1.25

Motor Term. M8 x 1.25

Switch Term. Male Spade w/ lead

Components:

7-1158 (66-81212) Cap Assy.

STARTER - SOLENOIDS (7- ACCURATE, 66- WAI)

HITACHI

OSGR Starters (cont'd.)



7-684
Accurate

66-8144
Best Value

Solenoid
12 Volt, 3-Terminal

For: Hitachi OSGR Starters

Used On: (1988-87) Nissan

Replaces: Nissan 23343-17C60

Unit Nos: Hitachi S114-454

Lester Nos: 16997

WAI Ref. Nos: 2-1110-HI

Dim:

Batt. Term. M8 x 1.25

Motor Term. M8 x 1.25

Switch Term. Male Spade w/ Lead

Components:

76-89600 Switch Term. Lead



7-686
Accurate

66-8145
Best Value

Solenoid
12 Volt, 3-Terminal

For: Hitachi OSGR Starters

Used On: (1989-87) Nissan

Replaces: Nissan 23343-18C06, 23343-22P00

Unit Nos: Hitachi S114-457, S114-458, S114-606A, S114-608A

Lester Nos: 16993, 17104

WAI Ref. Nos: 2-1109-HI, 2-1112-HI

Dim:

Batt. Term. M8 x 1.25

Motor Term. M8 x 1.25

Switch Term. Male Spade w/ Lead

Components:

66-81206 Cap Assy.

66-81700 Movable Contact Assy.

76-89600 Switch Term. Lead



7-685
Accurate

66-8143
Best Value

Solenoid
12 Volt, 3-Terminal

For: Hitachi OSGR Starters

Used On: (1992-89) Nissan

Replaces: Nissan 23343-03J00, 23343-03J01, B3343-03J01

Unit Nos: Hitachi S114-475A, S114-486

Lester Nos: 17178

WAI Ref. Nos: 2-1119-HI

Dim:

Batt. Term. M8 x 1.25

Motor Term. M8 x 1.25

Switch Term. Male Spade w/ Lead

Components:

66-81209 Cap Assy.

66-81700 Movable Contact Assy.

76-89606 Switch Term. Lead



7-759
Accurate

66-8128-5
Best Value

Solenoid
12 Volt, 3-Terminal

For: Hitachi OSGR Starters

Used On: Isuzu, Thermo King

Unit Nos: Hitachi S13-71, S13-75, S13-82A, S13-84;

S114-429, A

Lester Nos: 17088

WAI Ref. Nos: 2-1734-HI

Dim:

Batt. Term. M8 x 1.25

Motor Term. M8 x 1.25

Switch Term. M4 x 0.7 Hole

Components:

66-81203 Cap Assy.

66-81700 Movable Contact Assy.

STARTER - SOLENOIDS (7- ACCURATE, 66- WAI)



7-793
Accurate



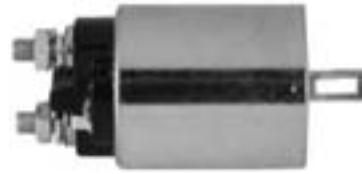
66-8110-5
Best Value

Solenoid
12 Volt, 3-Terminal

For: Hitachi OSGR Starters
Used On: (1986-81) Chevrolet, Isuzu, Pontiac (Diesel); Thermo King
Replaces: Isuzu 8-94228-453-0, Thermo King 44-6679
Unit Nos: Hitachi S13-62, A, B, C; S13-89A, B, C; Thermo King 45-1263
Lester Nos: 16740, 18067
WAI Ref. Nos: 2-1191-HI, 2-1776-HI
Dim:
 Batt. Term. M8 x 1.25
 Motor Term. M8 x 1.25
 Switch Term. M4 x 0.7 Hole
Components:
 66-81700 Movable Contact Assy.



7-874
Accurate



66-8100-2
Best Value

Solenoid
12 Volt, 3-Terminal

For: Hitachi OSGR Starters
Used On: (1989-78) Nissan; Ishikawajima, Massey Ferguson, Toyosha
Unit Nos: Hitachi S13-56, A; S114-252, A, C, E, F; S114-253, A, B; S114-254, A, B, C, D; S114-255, A; S114-258, A, C; S114-264, A; S114-322A, S114-344, S114-374B, S114-393, S114-403B, S114-440; S114-441A, B
Lester Nos: 16584, 16611, 16694, 16803, 16811, 16813, 16814, 16816, 16982
WAI Ref. Nos: 2-1080-HI, 2-1082-HI, 2-1084-HI, 2-1095-HI, 2-1100-HI, 2-1103-HI, 2-1104-HI, 2-1105-HI
Dim:
 Batt. Term. M8 x 1.25
 Motor Term. M8 x 1.25
 Switch Term. Male Spade
Components:
 66-81205 Cap Assy.
 66-81700 Movable Contact Assy.



7-871
Accurate



66-8121
Best Value

Solenoid
12 Volt, 3-Terminal

For: Hitachi OSGR Starters
Used On: (1988-85) Nissan
Replaces: Nissan 23343-16E01
Unit Nos: Hitachi S114-430A, B; S114-439, A
Lester Nos: 16806, 16807
WAI Ref. Nos: 2-1101-HI, 2-1102-HI
Dim:
 Batt. Term. M8 x 1.25
 Motor Term. M8 x 1.25
 Switch Term. Male Spade w/ Lead
Components:
 66-81214 Cap Assy.
 66-81700 Movable Contact Assy.
 76-89600 Switch Term. Lead



7-1160
Accurate



66-8134-1
Best Value

Solenoid
24 Volt, 3-Terminal

For: Hitachi OSGR Starters
Used On: Nissan Lift Truck
Unit Nos: Hitachi S25-110G, L
WAI Ref. Nos: 2-2037-HI
Dim:
 Batt. Term. M8 x 1.25
 Motor Term. M8 x 1.25
 Switch Term. M4 x 0.7 Hole

STARTER - SOLENOIDS (7- ACCURATE, 66- WAI)

HITACHI

OSGR Starters (cont'd.)



7-1162
(Ref# 66-8148)

Solenoid
12 Volt, 3-Terminal

For: Hitachi OSGR Starters
Used On: Yanmar
Unit Nos: Hitachi S13-94, A
Dim:
Batt. Term. M8 x 1.25
Motor Term. M8 x 1.25
Switch Term. M4 x 0.7 Hole

Features:
• Accurate



7-1163
Accurate

66-8150-1
Best Value

Solenoid
24 Volt, 3-Terminal

For: Hitachi OSGR Starters
Used On: John Deere, Kobelco America Equipment
Unit Nos: Hitachi S25-110, A, B, C, F; S25-121A, S25-142A
Dim:
Batt. Term. M8 x 1.25
Motor Term. M8 x 1.25
Switch Term. M4 x 0.7 Hole



7-1164
Accurate

66-8151-1
Best Value

Solenoid
12 Volt, 3-Terminal

For: Hitachi OSGR Starters
Used On: Nissan Lift Truck
Replaces: Hitachi 2130-37005, Nissan 23343-83W00
Unit Nos: Hitachi S13-104
WAI Ref. Nos: 2-2014-HI
Dim:
Batt. Term. M8 x 1.25
Motor Term. M8 x 1.25
Switch Term. Male Spade



7-1166
Accurate

66-8158-5
Best Value

Solenoid
12 Volt, 3-Terminal

For: Hitachi OSGR Starters
Used On: Thermo King
Unit Nos: Hitachi S13-289A, Thermo King 45-1263
Lester Nos: 18067
WAI Ref. Nos: 2-1776-HI
Dim:
Batt. Term. M8 x 1.25
Motor Term. M8 x 1.25
Switch Term. M4 x 0.7 Hole



66-8141
Solenoid
24 Volt, 3-Terminal

For: Hitachi 11.0kW OSGR Starter
Used On: Isuzu
Unit Nos: Hitachi S210-108
Dim:
Batt. Term. M10 x 1.25
Motor Term. M10 x 1.25
Switch Term. M5 x 0.8 Hole



66-8159
Solenoid
12 Volt, 3-Terminal

For: Hitachi 3.5kW OSGR Starters
Used On: UD Nissan Diesel Truck
Replaces: Nissan 23343-01D01, 23343-05D00
Unit Nos: Hitachi S14-01, S14-02, S14-20;
Nissan 23300-01D01, 23300-05D00, 23300-05D01
Lester Nos: 18214, 18215
WAI Ref. Nos: 2-2319-HI
Dim:
Batt. Term. M8 x 1.25
Motor Term. M8 x 1.25
Switch Term. M4 x 0.7 Hole
Features:
• Best Value
• 100% New at rebuilt prices

STARTER - SOLENOIDS (7- ACCURATE, 66- WAI)

PMGR Starters



7-680
Accurate



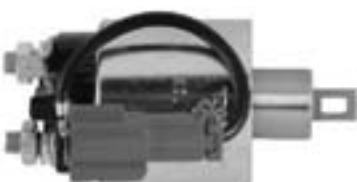
66-8138-2
Best Value

Solenoid
12 Volt, 3-Terminal

For: Hitachi PMGR Starters
Used On: (1995-90) Nissan
Unit Nos: Hitachi S114-528, A; Nissan 23300-88G00, -88G01
Lester Nos: 17196
WAI Ref. Nos: 2-1123-HI
Dim:
 Batt. Term. M8 x 1.25
 Motor Term. M8 x 1.25
 Switch Term. Male Spade w/ Lead
Components:
 66-81208 Cap Assy.
 66-81701 Movable Contact Assy.
 76-89606 Switch Term. Lead



7-681
Accurate



66-8135
Best Value

Solenoid
12 Volt, 3-Terminal

For: Hitachi PMGR Starters
Used On: (1999-91) Nissan
Replaces: Nissan 23343-63J00, 23343-63J01
Unit Nos: Hitachi S114-701A, C; S114-806A
Lester Nos: 17246
WAI Ref. Nos: 2-1128-HI
Dim:
 Batt. Term. M8 x 1.25
 Motor Term. M8 x 1.25
 Switch Term. Male Spade w/ Lead
Components:
 66-81208 Cap Assy.
 66-81701 Movable Contact Assy.
 76-89606 Switch Term. Lead



7-687
Accurate



66-8136-2
Best Value

Solenoid
12 Volt, 3-Terminal

For: Hitachi PMGR Starters
Used On: (1999-89) Nissan
Replaces: Hitachi 2114-67605, Nissan 23343-84A07
Unit Nos: Hitachi S114-520B, -534, -766A, -767, -800B, -802A; Nissan 23300-0M200, -0M201, -0M302, -65Y00, -65Y01, -81N01, -84A07
Lester Nos: 17146
WAI Ref. Nos: 2-1117-HI
Dim:
 Batt. Term. M8 x 1.25
 Motor Term. M8 x 1.25
 Switch Term. Male Spade w/ Lead
Components:
 66-81209 Cap Assy.
 66-81701 Movable Contact Assy.
 76-89606 Switch Term. Lead



7-688
Accurate



66-8137
Best Value

Solenoid
12 Volt, 4-Terminal

For: Hitachi PMGR Starters
Used On: (1989-86) Nissan
Replaces: Nissan 23343-12G01, 23343-12G03
Unit Nos: Hitachi S114-503A; S114-516, A
Lester Nos: 16817
WAI Ref. Nos: 2-1107-HI, 2-1446-HI
Dim:
 Batt. Term. M8 x 1.25
 Motor Term. M8 x 1.25
 Switch Term. Male Spade w/ Lead
 Relay Term. Male Spade w/ Lead
Note: 450 ohm resistor in relay terminal lead
Components:
 66-81210 Cap Assy.
 66-81701 Movable Contact Assy.
 76-89609 Switch & Relay Term. Lead

STARTER - SOLENOIDS (7- ACCURATE, 66- WAI)

HITACHI

PMGR Starters (cont'd.)



7-1131
Accurate

66-8156-5
Best Value

Solenoid
12 Volt, 3-Terminal

For: Hitachi 1.4kW PMGR Starters
Used On: (2001-95) Infiniti, Nissan
Replaces: Nissan 23343-31U00
Unit Nos: Hitachi S114-801A, -801B, -801C, -801D
Lester Nos: 17695, 17713, 17779
WAI Ref. Nos: 2-1694-HI, 2-1856-HI, 2-2062-HI
Dim:
 Batt. Term. M8 x 1.25
 Motor Term. M8 x 1.25
 Switch Term. Male Spade w/ Lead

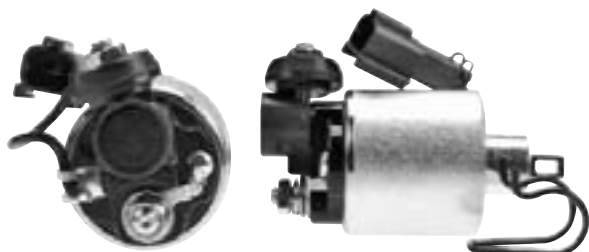


7-1165
Accurate

66-8157-1
Best Value

Solenoid
12 Volt, 3-Terminal

For: Hitachi 1.4kW PMGR Starters
Used On: (2002-92) Acura, Isuzu
Unit Nos: Hitachi S114-753, C
Lester Nos: 17509
WAI Ref. Nos: 2-1560-HI
Dim:
 Batt. Term. M8 x 1.25
 Motor Term. M8 x 1.25
 Switch Term. Male Spade



66-8153
(Ref# 7-1140)

Solenoid
12 Volt, 3-Terminal

For: Hitachi PMGR Starters
Used On: (1997-93) Nissan
Unit Nos: Hitachi S114-754A
 (cont'd.)

(cont'd.)

Lester Nos: 17477
WAI Ref. Nos: 2-1611-HI
Dim:
 Batt. Term. M8 x 1.25
 Motor Term. M8 x 1.25
 Switch Term. Male Spade w/ Lead

LEECE-NEVILLE



7-1157
(Ref# 66-501)

Solenoid
12 Volt, 3-Terminal

For: Leece-Neville DD Starters
Used On: Cummins
Replaces: Leece-Neville L1033
Unit Nos: Leece-Neville 4502ME, 4503ME, M0014502ME, M0014503ME
Dim:
 Batt. Term. M10 x 1.5
 Motor Term. M8 x 1.25
 Switch Term. M5 x 0.8 Post
Features:
 • Accurate



66-601
Solenoid

12 Volt, 4-Terminal, Insulated Base

For: Leece-Neville MS2 Series DD Starters
Replaces: Leece-Neville 6512-264
Unit Nos: Leece-Neville MS2-500DS, MS2-501DS, MS2-502DS, MS2-503DS, MS2-504DS, MS2-505S, MS2-506DS, MS2-507S, MS2-508DS, MS2-509DS, MS2-510DS, MS2-511DS, MS2-512S, MS2-513S, MS2-514DS, MS2-520S, MS2-521S, MS2-530DS, MS2-531DS, MS2-570DS, MS2-571DS, MS2-571DS
Dim:
 Batt. Term. 1/2-13
 Motor Term. 1/2-13
 Switch Term. 10-32 Post
 Relay Term. 10-32 Post

STARTER - SOLENOIDS (7- ACCURATE, 66- WAI)

LUCAS



7-752
(Ref# 66-9212)

Solenoid 12 Volt, 4-Terminal

For: Lucas M50 Series DD Starters
Replaces: Lucas 60933077, TOB175
Unit Nos: Lucas 26398, 26428
Lester Nos: 16669, 16984
WAI Ref. Nos: 2-2282-LU, 2-2303-LU
Dim:
 Batt. Term. M8 x 1.25
 Motor Term. M6 x 1.0
 Switch Term. Male Spade
 Relay Term. Male Spade

Features:
 • Accurate



7-753
Accurate

66-9209-5
Best Value

Solenoid 12 Volt, 4-Terminal

For: Lucas M50 Series DD Starters
Used On: Massey Ferguson
Replaces: Lucas 60933080, TOB168, TOB177
Unit Nos: Lucas 26369, 26404
Dim:
 Batt. Term. M8 x 1.25
 Motor Term. M6 x 1.0
 Switch Term. M5 x 0.8 Hole
 Shunt Coil Term. M6 x 1.0 Post
Components:
 7-1185 (66-92201) Cap Assy.



7-755
Accurate

66-9205-1
Best Value

Solenoid 12 Volt, 3-Terminal

For: Lucas 2M113, M45G Series DD Starters
Used On: Allis Chalmers, Fiatallis, Oliver, White
 (cont'd.)

(cont'd.)

Replaces: Lucas 76994, 77036, 77140, 77147, 77149, TOB182

Unit Nos: Lucas 26390, 26394, 27430, 27440

Lester Nos: 16661, 16662

Dim:

Batt. Term. M10 x 1.5

Motor Term. M8 x 1.25

Switch Term. Male Spade



7-756
(Ref# 66-9200)

Solenoid 12 Volt, 4-Terminal

For: Lucas M45G Series DD Starters
Used On: Ford Tractor, Jaguar
Replaces: Lucas 76888, 77128, 77169, 60933104, TOB131
Unit Nos: Lucas 26327, 26364, 26400, 27426

Dim:

Batt. Term. M8 x 1.25

Motor Term. M8 x 1.25

Switch Term. Male Spade

Relay Term. Male Spade

Components:

7-1186 (66-92202) Cap Assy.

66-92700 Movable Contact

Features:

• Accurate



7-757
Accurate

66-9202
Best Value

Solenoid 12 Volt, 4-Terminal

For: Lucas M50 Series DD Starters
Used On: Allis-Chalmers, Massey Ferguson, Yale Lift Truck
Replaces: Lucas 60933087, TPB100
Unit Nos: Lucas 26363, 26429, 26435
Lester Nos: 17644, 17648
WAI Ref. Nos: 2-2291-LU, 2-2301-LU

Dim:

Batt. Term. M8 x 1.25

Motor Term. M6 x 1.0

Switch Term. M5 x 0.8 Hole

Relay Term. M6 x 1.0 Post

Components:

66-92201 Cap Assy.

STARTER - SOLENOIDS (7- ACCURATE, 66- WAI)

LUCAS (cont'd.)



7-797
Accurate

66-9211-2
Best Value

Solenoid

12 Volt, 3-Terminal

For: Lucas M127 Series DD Starters

Used On: Allis-Chalmers, JCB, Perkins

Replaces: Lucas 77121, 77121A, 77131, 77132, 77133, 77136*, 77138*, 77139, 77141, 77143, 77207, 77207A, 60933111, 60933113*, TPB104, TPB111, TPB114*, TPB115*, TPB118, TPB119, TPB157

Unit Nos: Lucas 27500, 27515, 27516, 27518, 27519, 27528, 27539, 27540, 27541, 27553, 27554, 27565, 27569, 27572

Lester Nos: 17072, 649, 652

Dim:

Batt. Term. M8 x 1.25

Motor Term. M8 x 1.25

Switch Term. Male Spade

Note: *Reuse original wire lead on switch terminal

Components:

7-1186 (66-92202) Cap Assy.

66-92700 Movable Contact



7-839
(Ref# 66-9206)

Solenoid

12 Volt, 4-Terminal

For: Lucas M100 Series DD Starters

Used On: (1989-68) Jaguar, MG, Rover, Triumph

Replaces: Lucas 76998, 77158, TOB159

Unit Nos: Lucas 25643, 25647, 25654, 25674, 25684, 25691, 25703, 25704, 25710, 25712, 25714, 25717, 25724, 25743, 25756

Lester Nos: 16134, 16164, 16166, 16173, 16178, 16284, 16289, 17021

WAI Ref. Nos: 2-1323-LU, 2-1324-LU, 2-1326-LU, 2-1327-LU, 2-1329-LU, 2-1330-LU, 2-1331-LU, 2-1332-LU, 2-1338-LU

Dim:

Batt. Term. M8 x 1.25

Motor Term. M8 x 1.25

Switch Term. Male Spade

Relay Term. Male Spade

Features:

- Accurate



7-838
(Ref# 66-9204)

Solenoid

12 Volt, 4-Terminal

For: Lucas M45G, M127, M418G Series DD Starters

Used On: (1976-69) Triumph; IHC, Lister-Petter,

Massey Ferguson

Replaces: Lucas 76837, 76871, 76982, 77160, TOB113, TOB162

Unit Nos: Lucas 25620, 25621, 25626, 25627, 25673, 26236, 26264, 26266, 26268, 26269, 26270, 26271, 26275, 26278, 26279, 26283, 26286, 26288, 26301, 26310, 26375, 26383, 26412, 26413, 26422, 27409, 27411, 27413, 27417, 27419, 27420, 27421, 27432, 27433, 27458, 27533, 27543

Lester Nos: 16165, 166, 173, 184, 286, 288, 660, 664; 17644

WAI Ref. Nos: 2-1331-LU, 2-2038-LU

Dim:

Batt. Term. M8 x 1.25

Motor Term. M8 x 1.25

Switch Term. Male Spade

Relay Term. Male Spade

Components:

7-1186 (66-92202) Cap Assy.

66-92700 Movable Contact

Features:

- Accurate



7-840
Accurate

66-9207-5
Best Value

Solenoid

12 Volt, 4-Terminal

For: Lucas M50 Series DD Starters

Used On: Ford Tractor, Lift Truck

Replaces: Lucas 76740, 76753, 76756, 76781, 76825, 76833, 76834, 76835, 76836, 76854, 76862, 76864, 76865, 76869, 76881, 76900, 76910, 76911, 76912, 76913, 76928, 76956, 77010, 77014, 77025, 77032, 77052, 77109*, TOB108, TOB110, TOB111, TOB114*, TOB129, TOB133, TOB179, TOB184, TOB199*

Unit Nos: Lucas 26211, 26227, 26246, 26265, 26274, 26282, 26291, 26294, 26295, 26298, 26304, 26312, 26316, 26323, 26338, 26339, 26341, 26342, 26343, 26345, 26351, 26352, 26357, 26358, 26359, 26366, 26376, 26395, 26410, 26414, 26423, 26431

Lester Nos: 16608, 17646

Dim:

Batt. Term. M8 x 1.25

Motor Term. M6 x 1.0

Switch Term. Male Spade

Shunt Coil Term. M6 x 1.0 Post

Note: *Reuse original wire lead on switch terminal

Components:

66-92200 Cap Assy.

STARTER - SOLENOIDS (7- ACCURATE, 66- WAI)



7-889
Accurate

66-9208-1
Best Value

Solenoid
12 Volt, 4-Terminal

For: Lucas M50 Series DD Starters
Used On: IHC
Replaces: Lucas 60933083, TOB183
Unit Nos: Lucas 26349, 26416
Dim:
 Batt. Term. M8 x 1.25
 Motor Term. M6 x 1.0
 Switch Term. Male Spade
 Shunt Coil Term. M6 x 1.0 Post
Components:
 66-92200 Cap Assy.



7-896
Accurate

66-9210
Best Value

Solenoid
12 Volt, 4-Terminal

For: Lucas M50 Series DD Starters
Used On: IHC
Replaces: Lucas 76985, 77115, 77163, 60933074, TOB123
Unit Nos: Lucas 26312, 26336, 26384, 26388, 26407, 26421, 26433
Lester Nos: 16984
Dim:
 Batt. Term. M10 x 1.5
 Motor Term. M6 x 1.0
 Switch Term. Male Spade
 Relay Term. M6 x 1.0 Post



7-895
Accurate

66-9203-5
Best Value

Solenoid
12 Volt, 3-Terminal

For: Lucas M45G Series DD Starters
Used On: Allis-Chalmers, Land Rover, Massey Ferguson, Perkins
Replaces: Lucas 60933124, TOB153
Unit Nos: Lucas 26133, 26147, 26152, 26167, 26173, 26189, 26193, 26206, 26324
Dim:
 Batt. Term. 5/16-18
 Motor Term. 5/16-18
 Switch Term. Male Spade

MANDO



7-862
Accurate

66-8326-2
Best Value

Solenoid
12 Volt, 3-Terminal

For: Mando, Mitsubishi DD, PMGR Starters
Used On: (2005-85) Chevrolet, Ford, Geo, Hyundai, Kia, Mazda, Mercury, Nissan, Subaru, Suzuki; Caterpillar, Clark, Kubota, Melroe, Nissan Lift Truck, Woods, Yale
Replaces: (stamped SB621, SB622, SB622M, SB623, SB630)
Lester Nos: 16774, 16775, 16794, 16888, 16889, 16922, 16933, 16966, 16971, 16998, 17010, 17057, 17132, 17142, 17166, 17176, 17181, 17192, 17194, 17206, 17248, 17266, 17270, 17480, 17662, 17704, 17708, 17709
Dim:
 Batt. Term. M8 x 1.25
 Motor Term. M8 x 1.25
 Switch Term. Male Spade
Components:
 66-83203 Cap Assy.

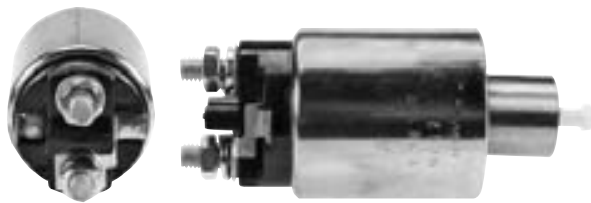
66-8326-3
Solenoid
12 Volt, 3-Terminal

Same as 7-862 except...
Features:

- Best Value
- Bulk packaged, 25/case

STARTER - SOLENOIDS (7- ACCURATE, 66- WAI)

MANDO (cont'd)



7-4371
Accurate

66-8330-2
Best Value

Solenoid

12 Volt, 3-Terminal

For: Mando, Mitsubishi DD, PMGR Starters

Used On: (2001-84) Dodge, Eagle, Hyundai, Mitsubishi, Plymouth

Replaces: (stamped SB601, SB602)

Unit Nos: Mando MC107012, MC107023, MC109018, MC109032, MP112033, MP112040, MP112042; Mitsubishi MOT70381, MOT70481, M1T70481, M1T70483, M1T73381, M1T73383, M1T74881, M2T40081, M2T49881, M3T32591, M3T32592, M3T32593, M3T41081, M3T41083, M3T42781, M3T43381

Lester Nos: 16514, 16729, 16939, 16940, 16941, 17212, 17214, 17217, 17288, 17505

WAI Ref. Nos: 2-1166-MD, 2-1166-MI, 2-1174-MD, 2-1174-MI, 2-1178-MD, 2-1178-MI, 2-1183-MD, 2-1183-MI, 2-1548-MI, 2-1613-MI

Dim:

Batt. Term. M8 x 1.25

Motor Term. M8 x 1.25

Switch Term. Male Spade

Components:

66-83203 Cap Assy.

66-8330-3

Solenoid

12 Volt, 3-Terminal

Same as 7-4371 except...

Features:

- Best Value
- Bulk packaged, 25/case

MARELLI



7-767
Accurate

66-9303-1
Best Value

Solenoid

24 Volt, 3-Terminal

For: Marelli 4.0kW DD Starters

Used On: Fiatallis

Unit Nos: Marelli 63216727, 63216731, 63216733, 63216738, 63216740, 63216741, 63216747, 63216763

Lester Nos: 18091, 18093, 18094

Dim:

Batt. Term. M10 x 1.5

Motor Term. M10 x 1.5

Switch Term. Male Spade



7-768
Accurate

66-9302-1
Best Value

Solenoid

12 Volt, 3-Terminal

For: Marelli 2.5kW, 3.5kW DD Starters

Used On: Allis-Chalmers, Fiatallis, Hyster, Long, Oliver, White

Replaces: Fiat 9986144

Unit Nos: Marelli 63216815, 63216827, 63216831, 63216833, 63216874, 63216896, 63216898, 63217118, 63217119, 63217120, 63217121, 63217125, 63217147, MT68AC, MT68AD, MT68BA, MT68LB, MT68LC, MT68MA, MT68Q, MT71AA, MT71DA, MT71T, MT71U, MT71V, MT71Z

Lester Nos: 17092, 17111, 17126, 17184, 17325, 18462

Dim:

Batt. Term. M10 x 1.5

Motor Term. M10 x 1.5

Switch Term. Male Spade

MITSUBA



7-694
Accurate

66-8503-3
Best Value

Solenoid

12 Volt, 3-Terminal

For: Mitsuba OSGR, PMOSGR Starters

Used On: (1994-88) Honda

Replaces: Honda 31210-PT0-015

Unit Nos: Honda 31200-PK2-006, -016, -026, -307; 31200-PT0-005, 31200-PT1-T03;

Mitsuba SM302-22, SM402-04, SM402-05, SM402-11N

Lester Nos: 16975, 17160, 17205

WAI Ref. Nos: 2-1018-MT, 2-1020-MT, 2-1022-MT

Dim:

Batt. Term. M8 x 1.25

Motor Term. M8 x 1.25

Switch Term. Male Spade

Components:

66-85201 Cap Assy.

STARTER - SOLENOIDS (7- ACCURATE, 66- WAI)



7-750
Accurate



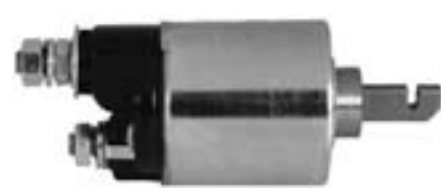
66-8502
Best Value

Solenoid
12 Volt, 3-Terminal

For: Mitsuba OSGR, PMOSGR Starters
Used On: (1995-88) Honda
Replaces: Honda 31210-P13-904, 31210-P30-005, 31210-PO1-005, 31210-PT0-904
Unit Nos: Mitsuba SM302-24, SM302-25, SM302-44, SM302-45, SM302-46, SM302-48, SM402-03, SM402-05N, SM402-13N, SM402-15, SM402-16N
Lester Nos: 16902, 16914, 16960, 16975, 17052, 17474, 17491, 17527
WAI Ref. Nos: 2-1000-MT, 2-1012-MT, 2-1019-MT, 2-1020-MT, 2-1521-MT, 2-1523-MT, 2-1528-MT
Dim:
 Batt. Term. M8 x 1.25
 Motor Term. M8 x 1.25
 Switch Term. Male Spade (RH)
Components:
 66-85201 Cap Assy.



7-866
Accurate



66-8500-2
Best Value

Solenoid
12 Volt, 3-Terminal

For: Mitsuba OSGR Starters
Used On: (1991-84) Honda
Unit Nos: Mitsuba SM302-02, SM302-08, SM302-18, SM302-28, SM402-10N
Lester Nos: 16845, 16901, 17156, 17201
WAI Ref. Nos: 2-1011-MT, 2-1014-MT, 2-1017-MT, 2-1021-MT
Dim:
 Batt. Term. M8 x 1.25
 Motor Term. M8 x 1.25
 Switch Term. Male Spade
Components:
 66-85200 Cap Assy.

66-8500-3
Solenoid
12 Volt, 3-Terminal

Same as 7-866 except...
Features:

- Best Value
- Bulk packaged, 25/case



7-865
Accurate



66-8501
Best Value

Solenoid
12 Volt, 3-Terminal

For: Mitsuba OSGR Starters
Used On: (1989-84) Acura, Honda
Replaces: Honda 31210-PC2-026
Unit Nos: Mitsuba SM302-04, SM302-07, SM302-16
Lester Nos: 16902, 16914, 17052
WAI Ref. Nos: 2-1000-MT, 2-1012-MT
Dim:
 Batt. Term. M8 x 1.25
 Motor Term. M8 x 1.25
 Switch Term. Male Spade (LH)
Components:
 66-85200 Cap Assy.



7-1135
Accurate



66-8504
Best Value

Solenoid
12 Volt, 3-Terminal

For: Mitsuba PMOSGR Starters
Used On: (2002-97) Acura, Honda
Replaces: Honda 31210-P2A-004, 31210-P2C-004, 31210-P2C-J61, 31210-P2J-J61, 31210-P8A-A01
Unit Nos: Mitsuba SM422-08, SM422-09, SM422-19, SM442-01, SM442-09-1R, SM442-10-1K, SM442-13-1S, SM442-22, SM442-24
Lester Nos: 16902, 17474, 17675, 17721, 17728, 17742, 17744, 17771
WAI Ref. Nos: 2-1012-MT, 2-1523-MT, 2-1867-MT, 2-1871-MT, 2-1938-MT, 2-1941-MT, 2-1993-MT, 2-2000-MT
Dim:
 Batt. Term. M8 x 1.25
 Motor Term. M8 x 1.25
 Switch Term. Male Spade

STARTER - SOLENOIDS (7- ACCURATE, 66- WAI)

MITSUBA (cont'd.)



7-1137
(Ref# 66-8506)

Solenoid

12 Volt, 3-Terminal

For: Mitsuba PMOSGR Starters

Used On: (2000-96) Acura, Honda

Replaces: Honda 31210-P2C-901, 31210-P2A-901

Unit Nos: Honda 31200-P2C-901, 31200-P2E-901, 31200-P2E-A51; Mitsuba SM422-07, SM442-08-1N, SM422-10

Lester Nos: 17693, 17741

WAI Ref. Nos: 2-1798-MT, 2-1939-MT

Dim:

Batt. Term. M8 x 1.25

Motor Term. M8 x 1.25

Switch Term. Male Spade

Features:

- Accurate



7-1149
(Ref# 66-8505)

Solenoid

12 Volt, 3-Terminal

For: Mitsuba PMOSGR Starters

Used On: (2002-97) Acura, Honda

Replaces: Honda 31210-P0A-004, 31210-PAA-A02

Unit Nos: Mitsuba SM422-02, SM442-02-OW

Lester Nos: 17591, 17729

WAI Ref. Nos: 2-1868-MT, 2-1940-MT

Dim:

Batt. Term. M8 x 1.25

Motor Term. M8 x 1.25

Switch Term. Male Spade

Features:

- Accurate



66-8507
Solenoid

12 Volt, 3-Terminal

For: Mitsuba PMOSGR Starters

Used On: (1997-95) Honda

Unit Nos: Honda 31200-P0G-A01, Mitsuba SM422-01

(cont'd.)

(cont'd.)

Lester Nos: 17582

WAI Ref. Nos: 2-1842-MT

Dim:

Batt. Term. M8 x 1.25

Motor Term. M8 x 1.25

Switch Term. Male Spade

Features:

- Best Value
- 100% New at rebuilt prices

MITSUBISHI

DD Starters



7-690
(Ref# 66-8361)

Solenoid

12 Volt, 4-Terminal

For: Mitsubishi DD Starters

Used On: (1986-85) Dodge, Mitsubishi

Replaces: Mitsubishi M371X61371, MD611378

Unit Nos: Mitsubishi M3T41285

Lester Nos: 16938

WAI Ref. Nos: 2-1173-MI

Dim:

Batt. Term. M8 x 1.25

Motor Term. M8 x 1.25

Switch Term. Male Spade

Relay Term. Bullet w/ Lead

Features:

- Accurate



7-760
Accurate

66-8300-2
Best Value

Solenoid

12 Volt, 3-Terminal

For: Mitsubishi DD, OSGR Starters

Used On: (1989-73) Dodge, Mazda, Mitsubishi, Plymouth; Clark, Mitsubishi Lift Truck, Yale

Replaces: (stamped) SB303, SB304, SB502, SB506, SB506F, SB592F, SB594F, SC001)

Lester Nos: 16497, 16514, 16520, 16524, 16720, 16729, 16793, 16795, 16796, 17110

WAI Ref. Nos: 2-1130-MI, 2-1166-MI, 2-1167-MI, 2-1168-MI, 2-1228-MI, 2-1419-MI, 2-1550-MI, 2-1612-MI, 2-1727-MI, 2-1728-MI, 2-1729-MI

Dim:

Batt. Term. M8 x 1.25

Motor Term. M8 x 1.25

Switch Term. Male Spade

Components:

66-83200 Cap Assy.

STARTER - SOLENOIDS (7- ACCURATE, 66- WAI)



7-781
Accurate



66-8307-1
Best Value

Solenoid
12 Volt, 3-Terminal

For: Mitsubishi DD, OSGR Starters
Used On: (2002-92) Mazda
Replaces: Mazda K801-18-X10, Mitsubishi Motors MD607412 (stamped SB562, SB562F)
Unit Nos: Mazda K801-18-400C, K802-18-400, KJ01-18-400A; Mitsubishi M2T24181, M2T25581, M2T25981, M2T53081, M2T53082, M3T80371; Mitsubishi Motors MD023758, MD027380
Lester Nos: 16547, 16720, 17544, 17596
WAI Ref. Nos: 2-1167-MI, 2-1366-MI, 2-1768-MI, 2-1846-MI
Dim:
 Batt. Term. M8 x 1.25
 Motor Term. M8 x 1.25
 Switch Term. Male Spade
Components:
 66-83201 Cap Assy.



7-787
(Ref# 66-8315)

Solenoid
12 Volt, 3-Terminal

For: Mitsubishi DD Starters
Used On: Sumitomo Yale Lift Trucks
Replaces: (stamped SB454)
Unit Nos: Mitsubishi M5T22175, M5T22176
Lester Nos: 18172
Dim:
 Batt. Term. M8 x 1.25
 Motor Term. M8 x 1.25
 Switch Term. M5 x 0.8 Hole
Features:
 • Accurate



7-799
Accurate



66-8306
Best Value

Solenoid
12 Volt, 3-Terminal

For: Mitsubishi DD, OSGR Starters
Used On: (1997-82) Audi, Ford, Mazda, Nissan; Ford Tractor, Nissan Lift Truck, Onan
Replaces: Ford F32Z-11390-B; Mazda FE05-18-X10, FE79-18-X10, KL06-18-X10; Mitsubishi M371X16171, 16371, 16471, 16571, 32971, 33071, 53071, 53072, 58771, 58871, 80271, 80671, 80771, 83071; MD618509; Nissan 23343-04E10, -20H12, -47711, -M8110, -M8111, -T0111, -Y0513; Onan 191-0987
Lester Nos: 16209, 16210, 16584, 16732, 16774, 16780, 16794, 16816, 16858, 16859, 16875, 16935, 16982, 17332, 17471
WAI Ref. Nos: 2-1076-MI, 2-1082-MI, 2-1092-MI, 2-1094-MI, 2-1103-MI, 2-1104-MI, 2-1105-MI, 2-1108-MI, 2-1141-MI, 2-1142-MI, 2-1363-MI, 2-1461-MI, 2-1612-MI, 2-1733-MI, 2-1738-MI, 2-1740-MI, 2-1741-MI, 2-1780-MI
Dim:
 Batt. Term. M8 x 1.25
 Motor Term. M8 x 1.25
 Switch Term. Male Spade
Components:
 66-83200 Cap Assy.



7-862
Accurate



66-8326-2
Best Value

Solenoid
12 Volt, 3-Terminal

For: Mando, Mitsubishi DD, PMGR Starters
Used On: (2005-85) Chevrolet, Ford, Geo, Hyundai, Kia, Mazda, Mercury, Nissan, Subaru, Suzuki; Caterpillar, Clark, Kubota, Melroe, Nissan Lift Truck, Woods, Yale
Replaces: (stamped SB621, SB622, SB622M, SB623, SB630)
Lester Nos: 16774, 16775, 16794, 16888, 16889, 16922, 16933, 16966, 16971, 16998, 17010, 17057, 17132, 17142, 17166, 17176, 17181, 17192, 17194, 17206, 17248, 17266, 17270, 17480, 17662, 17704, 17708, 17709
Dim:
 Batt. Term. M8 x 1.25
 Motor Term. M8 x 1.25
 Switch Term. Male Spade
Components:
 66-83203 Cap Assy.

66-8326-3
Solenoid

12 Volt, 3-Terminal

Same as 7-862 except...
Features:
 • Best Value
 • Bulk packaged, 25/case

STARTER - SOLENOIDS (7- ACCURATE, 66- WAI)

MITSUBISHI

DD Starters (cont'd.)



7-863
Accurate



66-8327
Best Value

Solenoid

12 Volt, 3-Terminal

For: Mitsubishi DD, PMGR Starters

Used On: (2002-86) Dodge, Ford, Hyundai, Mazda, Mitsubishi; John Deere, Nissan Lift Truck

Replaces: Ford F32Z-11390-C, Hyundai 36120-35000; Mazda JE26-18-X10, JF01-18-X10, K805-18-X10, N326-18-X10; Mitsubishi M371X64271, M371X64273, M371X64471, M371X64971, M371X65071, M371X69671, M371X72371, M371X74271, M371X92371;

Mitsubishi Motors MD611040, MD611591, MD618580, MD618943; Nissan 23343-M8210, 23343-T5001 (stamped SB642, SB642M, SB644, SB649, SB696P)

Unit Nos: Mando MG112022, MP112041; Mitsubishi M0T84381, M1T70781, M1T70881, M1T71381, M1T71382, M1T71781, M1T71781A, M1T72581, M1T72583, M1T72583G, M1T72681, M1T73281, M1T73283, M1T74181, M1T74381, M1T74381A, M1T75181, M1T75181A, M1T75381, M1T75581, M1T77081, M1T78981, M1T79081, M1T95081, M1T96081, M2T20181D, M2T30981, M2T31081, M3T27781

Lester Nos: 16579, 16775, 16930, 16931, 16932, 16939, 17131, 17133, 17151, 17167, 17175, 17221, 17448, 17470, 17507, 17541, 17599, 17686; 18096

WAI Ref. Nos: 2-1081-MI, 2-1093-MI, 2-1145-MI, 2-1146-MI, 2-1147-MI, 2-1150-MI, 2-1151-MI, 2-1174-MI, 2-1176-MD, 2-1176-MI, 2-1182-MI, 2-1546-MI, 2-1773-MI, 2-1844-MI, 2-1845-MI

Dim:

Batt. Term. M8 x 1.25
Motor Term. M8 x 1.25
Switch Term. Male Spade

Components:

66-83206 Cap Assy.

66-8327-3

Solenoid

12 Volt, 3-Terminal

Same as 7-863 except...

Features:

- Best Value
- Bulk packaged, 25/case



7-890
Accurate



66-8302
Best Value

Solenoid

12 Volt, 3-Terminal

For: Mitsubishi DD, OSGR Starters

Used On: (1994-74) Mazda, Nissan

Replaces: Mazda 1757-24-760, 8872-24-736, G601-18-X10, N202-18-X10, N226-24-760;

Nissan 23343-B5010, -B5011, -E3011, -M8010, -W7010, -W7011 (stamped SB172, SB341A, SB348, SB350, SB541, SB541F, SB546, SB548F, SB550F, SB593)

Lester Nos: 16203, 16211, 16268, 16579, 16671, 16711, 16717, 16733, 16775, 16803, 16805, 16855, 16856, 17172, 17173

WAI Ref. Nos: 2-1079-MI, 2-1081-MI, 2-1083-MI, 2-1086-MI, 2-1087-MI, 2-1093-MI, 2-1132-MI, 2-1135-MI, 2-1137-MI, 2-1140-MI, 2-1153-MI, 2-1154-MI, 2-1438-MI, 2-1453-MI, 2-1454-MI

Dim:

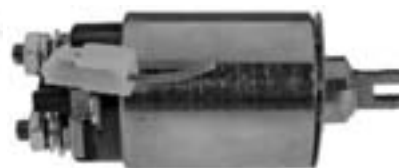
Batt. Term. M8 x 1.25
Motor Term. M8 x 1.25
Switch Term. Male Spade

Components:

66-83201 Cap Assy.



7-891
Accurate



66-8303
Best Value

Solenoid

12 Volt, 4-Terminal

For: Mitsubishi DD Starters

Used On: (1985-81) Mazda

Replaces: Mazda 8218-24-760, 8937-24-760 (stamped SB512F, SB533F)

Unit Nos: Mitsubishi M3T22381, M3T22781, M3T24081, M3T24485, M3T24486, M3T30281, M3T30282, M3T32081, M3T32382, M3T32781, M3T32782, M3T33585, M3T33586, M3T34081, M3T34082

Lester Nos: 16708, 16519

WAI Ref. Nos: 2-1136-MI

Dim:

Batt. Term. M8 x 1.25
Motor Term. M8 x 1.25
Switch Term. Male Spade
Relay Term. Female Spade w/ Lead

Components:

66-83202 Cap Assy.

STARTER - SOLENOIDS (7- ACCURATE, 66- WAI)



7-1101
Accurate



66-8354-1
Best Value

Solenoid

12 Volt, 4-Terminal

For: Mitsubishi DD, OSGR Starters

Used On: (1986-84) Dodge, Mitsubishi

Replaces: Mitsubishi Motors MD611178

Unit Nos: Mitsubishi M2T53086, M3T25885;

Mitsubishi Motors MD085730, MD085731, MD085731

Lester Nos: 16866, 16938

WAI Ref. Nos: 2-1172-MI, 2-1173-MI

Dim:

Batt. Term. M8 x 1.25

Motor Term. M8 x 1.25

Switch Term. Male Spade

Relay Term. Bullet w/ Lead



7-4371
Accurate



66-8330-2
Best Value

Solenoid

12 Volt, 3-Terminal

For: Mando, Mitsubishi DD, PMGR Starters

Used On: (2001-84) Dodge, Eagle, Hyundai, Mitsubishi, Plymouth

Replaces: (stamped SB601, SB602)

Unit Nos: Mando MC107012, MC107023, MC109018,

MC109032, MP112033, MP112040, MP112042;

Mitsubishi MOT70381, MOT70481, M1T70481, M1T70483,

M1T73381, M1T73383, M1T74881, M2T40081, M2T49881,

M3T32591, M3T32592, M3T32593, M3T41081, M3T41083,

M3T42781, M3T43381

Lester Nos: 16514, 16729, 16939, 16940, 16941, 17212,

17214, 17217, 17288, 17505

WAI Ref. Nos: 2-1166-MD, 2-1166-MI, 2-1174-MD, 2-1174-MI,

2-1178-MD, 2-1178-MI, 2-1183-MD, 2-1183-MI, 2-1548-MI,

2-1613-MI

Dim:

Batt. Term. M8 x 1.25

Motor Term. M8 x 1.25

Switch Term. Male Spade

Components:

66-83203 Cap Assy.

66-8330-3

Solenoid

12 Volt, 3-Terminal

Same as 7-4371 except...

Features:

- Best Value
- Bulk packaged, 25/case



66-8301
(Ref# 7-821)
Solenoid

12 Volt, 3-Terminal

For: Mitsubishi DD, OSGR Starters

Used On: (1986-71) Dodge, Mazda, Mitsubishi, Nissan, Plymouth; Ingersoll-Rand, Mitsubishi Lift Truck

Replaces: (stamped SB001, SB162, SB301A, SB321A, SB324, SB501F)

Lester Nos: 16268, 16495, 16500, 16513, 16514, 16519,

16520, 16522, 16524, 16527, 16579, 16581, 16582, 16588,

16720, 16728, 16729, 16741, 16742, 16793, 16858, 16859

Dim:

Batt. Term. M8 x 1.25

Motor Term. M8 x 1.25

Switch Term. M4 x 0.7 Hole

Note: Includes 46-4150 male spade conversion terminal & screw

Components:

66-83200 Cap Assy.

Features:

- Best Value
- 100% New at rebuilt prices



66-8369
Solenoid

12 Volt, 3-Terminal

For: Mitsubishi DD Starters

Used On: Gehl, Lincoln Welder, Mustang Skid Steer Loader, Onan Engine

Unit Nos: Mitsubishi M2T43681, M2T43781, M2T43881;

Onan 191-1949-04, -06, -07, -08; Valeo TM000A21901

Lester Nos: 17291

WAI Ref. Nos: 2-1552-MI

Dim:

Batt. Term. M8 x 1.25

Motor Term. M8 x 1.25

Switch Term. Male Spade

Features:

- Best Value
- 100% New at rebuilt prices
- Jump start protection cap

STARTER - SOLENOIDS (7- ACCURATE, 66- WAI)

MITSUBISHI

DD Starters (cont'd.)



66-8377

Solenoid

12 Volt, 3-Terminal

For: Mitsubishi DD, PMGR Starters

Used On: (2002-93) Ford, Mazda, Mitsubishi

Replaces: Ford F32Z-11390-A, SWE-2357; Mazda FS05-18-X10

Unit Nos: Ford F32Z-11002-A; Mazda FS05-18-400; FS11-18-400, A, B; Mitsubishi M1T77381, M2T44781, M3T44081, MD301348, MD301350

Lester Nos: 17469, 17539, 17732, 17733

WAI Ref. Nos: 2-1545-MI, 2-1860-MI, 2-1861-MI

Dim:

Batt. Term. M8 x 1.25

Motor Term. M8 x 1.25

Switch Term. Male Spade

Features:

- Best Value
- 100% New at rebuilt prices



7-783

Accurate

66-8338

Best Value

Solenoid

12 Volt, 3-Terminal

For: Mitsubishi OSGR Starters

Used On: Case, Ford Tractor, Toro

Replaces: Mazda 4840-24-736 (stamped SC003)

Unit Nos: Mitsubishi M2T56471, M2T56472, M2T60271, M2T61371, M2T61471, M2T92271, M3T64172

Lester Nos: 17081

WAI Ref. Nos: 2-1963-MI

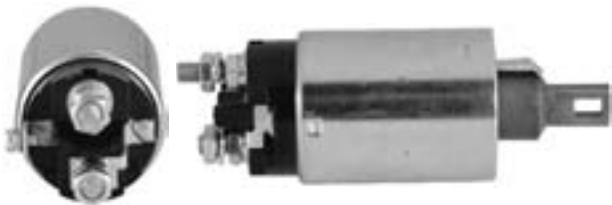
Dim:

Batt. Term. M8 x 1.25

Motor Term. M8 x 1.25

Switch Term. M5 x 0.8 Hole

OSGR Starters



7-782

(Ref# 66-8310)

Solenoid

12 Volt, 3-Terminal

For: Mitsubishi OSGR Starters

Used On: Onan

Unit Nos: Mitsubishi M2T56071

Lester Nos: 17008

WAI Ref. Nos: 2-1732-MI

Dim:

Batt. Term. M8 x 1.25

Motor Term. M8 x 1.25

Switch Term. M5 x 0.8 Hole

Components:

66-83704 Movable Contact Assy.

Features:

- Accurate



7-784

Accurate

66-8331-1

Best Value

Solenoid

12 Volt, 3-Terminal

For: Mitsubishi OSGR Starters

Used On: (1986-83) Dodge, Mazda, Mitsubishi (Diesel); Toro

Replaces: Mazda R201-24-736; Mitsubishi M372X00471, MD607634

Unit Nos: Mitsubishi M2T54172, M2T56171, M2T56181, M2T56182, M2T56271, M2T56272, M2T56971, M2T60171, M2T60185, M2T61071, M2T61171, M2T92071

Lester Nos: 16853, 16854, 16857, 17096,

WAI Ref. Nos: 2-1143-MI, 2-1169-MI, 2-1170-MI, 2-1781-MI

Dim:

Batt. Term. M8 x 1.25

Motor Term. M8 x 1.25

Switch Term. Male Spade

STARTER - SOLENOIDS (7- ACCURATE, 66- WAI)



7-789
Accurate

66-8305-1
Best Value

Solenoid
12 Volt, 3-Terminal

For: Mitsubishi OSGR Starters
Used On: (1984-82) Ford, Mazda (Diesel)
Replaces: (stamped SC041)
Unit Nos: Mitsubishi M2T54371, M2T54372, M2T57271, M2T60071, M2T60072, M2T60073, M3T66071, M3T66072, M3T66073, M3T66074
Lester Nos: 16744, 16799
WAI Ref. Nos: 2-1138-MI, 2-1249-MI
Dim:
 Batt. Term. M8 x 1.25
 Motor Term. M8 x 1.25
 Switch Term. Male Spade
Components:
 66-83704 Movable Contact Assy.



7-790
Accurate

66-8313-2
Best Value

Solenoid
12 Volt, 3-Terminal

For: Mitsubishi OSGR Starters
Used On: (1991-86) Buick, Oldsmobile 3.8L
Replaces: Delco 10498715, Mitsubishi M371X56971
Unit Nos: Delco 1998518, 1998545, 10455706; Mitsubishi M1T50371, M1T50671
Lester Nos: 16868
WAI Ref. Nos: 2-1408-MI
Dim:
 Batt. Term. M10 x 1.5
 Motor Term. M8 x 1.25
 Switch Term. M5 x 0.8 Post



7-899
Accurate

66-8309-2
Best Value

Solenoid
12 Volt, 3-Terminal

For: Mitsubishi OSGR Starters
Used On: (1994-85) Ford 6.9L, 7.3L (Diesel)
Replaces: (stamped SC069)
Unit Nos: Mitsubishi M3T90071, M3T90072
Lester Nos: 17037
WAI Ref. Nos: 2-1254-MI
Dim:
 Batt. Term. M10 x 1.5
 Motor Term. M8 x 1.25
 Switch Term. M5 x 0.8 Post
Components:
 66-83212 Cap Assy.
 66-83702 Movable Contact Assy.

66-8309-3
Solenoid
12 Volt, 3-Terminal

Same as 7-899 except...

- Features:**
- Best Value
 - Bulk packaged, 25/case



7-1102
Accurate

66-8356
Best Value

Solenoid
12 Volt, 3-Terminal

For: Mitsubishi OSGR Starters
Used On: (1990-89) Nissan
Replaces: Replaces 23343-84A11
Unit Nos: Mitsubishi M2T53882, Nissan 23343-84A11
Lester Nos: 17178
WAI Ref. Nos: 2-1119-MI
Dim:
 Batt. Term. M8 x 1.25
 Motor Term. M8 x 1.25
 Switch Term. Male Spade w/ Lead

STARTER - SOLENOIDS (7- ACCURATE, 66- WAI)

MITSUBISHI

OSGR Starters (cont'd.)



7-1143
(Ref# 66-8357)

Solenoid

12 Volt, 3-Terminal

For: Mitsubishi OSGR Starters

Used On: (1992-90) Infiniti

Unit Nos: Mitsubishi M3T26785

Lester Nos: 17069, 17426

WAI Ref. Nos: 2-1222-MI

Dim:

Batt. Term. M8 x 1.25

Motor Term. M8 x 1.25

Switch Term. Male Spade w/ Lead

Features:

- Accurate



7-1169
(Ref# 66-8318)

Solenoid

24 Volt, 3-Terminal

For: Mitsubishi OSGR Starters

Used On: Mitsubishi, Nissan Lift Truck

Replaces: (stamped SB205)

Unit Nos: Mitsubishi M3T56071, M3T56072, M3T56074, M3T56076, M3T56082

WAI Ref. Nos: 2-1913-MI, 2-2092-MI

Dim:

Batt. Term. M8 x 1.25

Motor Term. M8 x 1.25

Switch Term. M5 x 0.8 Hole

Features:

- Accurate



7-1170
(Ref# 66-8319)

Solenoid

24 Volt, 3-Terminal

For: Mitsubishi OSGR Starters

Used On: Komatsu, Mitsubishi

Unit Nos: Mitsubishi M3T95071, M3T95082

Dim:

Batt. Term. M10 x 1.5

Motor Term. M8 x 1.25

Switch Term. M5 x 0.8 Hole

Features:

- Accurate



7-1171
Accurate

66-8321-1
Best Value

Solenoid

12 Volt, 3-Terminal

For: Mitsubishi 5.5kW OSGR Starters

Used On: Mitsubishi Industrial

Replaces: (stamped SD057)

Unit Nos: Mitsubishi M5T65071

Dim:

Batt. Term. M12 x 1.25

Motor Term. M12 x 1.25

Switch Term. M5 x 0.8 Post



7-1172
Accurate

66-8322-1
Best Value

Solenoid

24 Volt, 3-Terminal

For: Mitsubishi 6.0kW OSGR Starters

Used On: Kobelco America, Mitsubishi

Replaces: Mitsubishi M373X04771, ME700054

Unit Nos: Mitsubishi M5T50076, M5T50176, M5T50177, M5T50276

WAI Ref. Nos: 2-2091-MI

Dim:

Batt. Term. M10 x 1.5

Motor Term. M10 x 1.5

Switch Term. M5 x 0.8 Post

STARTER - SOLENOIDS (7- ACCURATE, 66- WAI)



7-1173
Accurate

66-8351-2
Best Value

Solenoid
24 Volt, 3-Terminal

For: Mitsubishi 5.0kW OSGR Starters
Used On: Case, Caterpillar, Mitsubishi Lift Truck
Replaces: Mazda SE01-24-736 (stamped SB206)
Unit Nos: Mitsubishi M3T56181, M3T56182, M3T56183, M3T58071
Lester Nos: 18239
WAI Ref. Nos: 2-2087-MI
Dim:
 Batt. Term. M8 x 1.25
 Motor Term. M8 x 1.25
 Switch Term. M5 x 0.8 Hole



66-8308-2
(Ref# 7-788)

Solenoid
12 Volt, 3-Terminal

For: Mitsubishi OSGR Starters
Used On: (1987-85) Ford (Diesel)
Unit Nos: Mitsubishi M2T60371
Lester Nos: 17036
WAI Ref. Nos: 2-1451-MI
Dim:
 Batt. Term. M8 x 1.25
 Motor Term. M8 x 1.25
 Switch Term. Male Spade
Features:
 • Best Value
 • 100% New at rebuilt prices



7-1174
Accurate

66-8367-1
Best Value

Solenoid
12 Volt, 3-Terminal

For: Mitsubishi 3.6kW OSGR Starters
Used On: Mitsubishi-Fuso Truck
Unit Nos: Mitsubishi M3T67281, M3T67282, M3T67283; Mitsubishi Motors ME015112, ME017087, ME017094
Lester Nos: 18098
WAI Ref. Nos: 2-1928-MI
Dim:
 Batt. Term. M8 x 1.25
 Motor Term. M8 x 1.25
 Switch Term. M5 x 0.8 Hole



66-8316
(Ref# 7-779, 7-780)

Solenoid
12 Volt, 3-Terminal

For: Mitsubishi OSGR Starters
Used On: (1985-84) Buick, Cadillac, Chevrolet, GMC, Oldsmobile, Pontiac (Diesel)
Unit Nos: Delco 22511854, 22515863, 22522853, 22523207; Mitsubishi M4T66074, M4T66173
Lester Nos: 16869, 16870, 16871
WAI Ref. Nos: 2-1406-MI, 2-1407-MI
Dim:
 Batt. Term. M10 x 1.5
 Motor Term. M8 x 1.25
 Switch Term. M4 x 0.7 Hole
Components:
 66-83704 Movable Contact Assy.



7-1175
Accurate

66-8373-1
Best Value

Solenoid
12 Volt

For: Mitsubishi 3.5kW OSGR Starters
Used On: Mitsubishi-Fuso
Replaces: Mitsubishi Motors ME700891
Unit Nos: Mitsubishi M3T90271, M3T90273

STARTER - SOLENOIDS (7- ACCURATE, 66- WAI)

MITSUBISHI

OSGR Starters (cont'd.)



66-8323

(Ref# 7-689)

Solenoid

24 Volt, 3-Terminal

For: Mitsubishi OSGR Starters

Used On: Nissan Lift Truck

Replaces: (stamped SC109)

Unit Nos: Mitsubishi M2T54272, M2T65271, M2T65272, M3T54072

Lester Nos: 18245

WAI Ref. Nos: 2-2103-MI

Dim:

Batt. Term. M8 x 1.25

Motor Term. M8 x 1.25

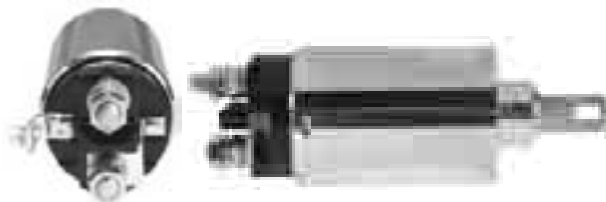
Switch Term. M5 x 0.8 Hole

Components:

66-83222 Solenoid Cap Assy.

Features:

- Best Value
- 100% New at rebuilt prices



66-8378

Solenoid

12 Volt, 3-Terminal

For: Mitsubishi 2.7KW OSGR Starters

Used On: Gehl, Hyster, Sumitomo Yale, Yale Lift Trucks w/ 4-Cyl. Diesel

Replaces: Mazda 4872-24-736

Unit Nos: Mazda 4840-18-400A, B; Mitsubishi M2T54572

Lester Nos: 18171

WAI Ref. Nos: 2-2024-MI

Dim:

Batt. Term. M8 x 1.25

Motor Term. M8 x 1.25

Switch Term. M5 x 0.8 Hole

Note: Mounting holes at 12:00, 06:00 clock position.

Similar to 66-8379 except 66-8379 has mtg. holes at 03:00, 09:00 clock position.

Features:

- Best Value
- 100% New at rebuilt prices



66-8340

Solenoid

24 Volt, 4-Terminal

For: Mitsubishi OSGR Starters

Used On: Caterpillar

Unit Nos: Caterpillar 3T2767, 3Y8852;

Mitsubishi M4T95478, M4T95479A, M4T95480

Dim:

Batt. Term. M10 x 1.5

Motor Term. M10 x 1.5

Switch Term. M5 x 0.8 Post

Grd. Term. Lead w/ Eyelet



66-8379

Solenoid

12 Volt, 3-Terminal

For: Mitsubishi OSGR Starters

Used On: Caterpillar Lift Trucks, Mitsubishi Lift Trucks, Sumitomo Yale Lift Trucks

Replaces: Mazda 4787-24-736, Mitsubishi M372X02471

Unit Nos: Clark 920670; Mazda 4813-18-400B, C;

Mitsubishi 32A66-00101, 32A66-00301, M2T62271, M3T67172, M3T67671

Lester Nos: 18163, 18173

WAI Ref. Nos: 2-2102-MI

Dim:

Batt. Term. M8 x 1.25

Motor Term. M8 x 1.25

Switch Term. M5 x 0.8 Hole

Note: Mounting holes at 3:00, 9:00 clock position.

Similar to 66-8378 except 66-8379 has mtg. holes at 12:00, 6:00 clock position.

Features:

- Best Value
- 100% New at rebuilt prices

STARTER - SOLENOIDS (7- ACCURATE, 66- WAI)



66-8380
Solenoid

12 Volt, 3-Terminal

For: Mitsubishi 2.2kW OSGR Starters
Used On: Mitsubishi, Yale Lift Trucks
Replaces: Mazda SLSK-18-X10
Unit Nos: Mazda SLSK-18-400, TMSK-18-400; Mitsubishi M3T66572, M3T67771
Lester Nos: 18174
Dim:
 Batt. Term. M8 x 1.25
 Motor Term. M8 x 1.25
 Switch Term. M4 x 0.7 Hole
Features:
 • Best Value
 • 100% New at rebuilt prices



67-8300
Relay Switch
12 Volt

For: Mitsubishi 3.6kW OSGR Starters
Used On: Mitsubishi-Fuso
Unit Nos: Mitsubishi M3T67283, ME015112
Lester Nos: 18098
WAI Ref. Nos: 2-1928-MI

PLGR Starters



7-1099
Accurate

66-8363-2
Best Value

Solenoid
12 Volt, 3-Terminal

For: Mitsubishi PLGR Starters
Used On: (2001-94) Ford 7.3L (Diesel)
Replaces: (stamped SC074)
Unit Nos: Mitsubishi M8T50071, M8T50171
Lester Nos: 17577, 17578
WAI Ref. Nos: 2-1747-MI, 2-1748-MI
 (cont'd.)

(cont'd.)
Dim:
 Batt. Term. M10 x 1.5
 Motor Term. M8 x 1.25
 Switch Term. M5 x 0.8 Post
Components:
 66-83212 Cap Assy.
 66-83704 Movable Contact Assy.

66-8363-3
Solenoid
12 Volt, 3-Terminal

Same as 7-1099 except...
Features:
 • Best Value
 • Bulk packaged, 25/case



7-1146
(Ref# 66-8360)
Solenoid
12 Volt, 3-Terminal

For: Mitsubishi PLGR Starters
Used On: (2002-91) Acura
Unit Nos: Mitsubishi M2T80081, M2T80281, M2T80481, M2T80681, M2T84471, MHG006
Lester Nos: 17275, 17432, 17710
WAI Ref. Nos: 2-1003-MI, 2-1468-MI, 2-1853-MI
Dim:
 Batt. Term. M8 x 1.25
 Motor Term. M8 x 1.25
 Switch Term. Male Spade
Features:
 • Accurate

PMGR Starters



7-668
Accurate

66-8350-2
Best Value

Solenoid
12 Volt, 3-Terminal

For: Mitsubishi PMGR Starters
Used On: (1998-87) AMC Eagle, Jeep
Replaces: (stamped SB625)
Unit Nos: Mitsubishi M1T74281, M1T74283, M1T74287, M1T76081
Lester Nos: 17006, 17467
WAI Ref. Nos: 2-1232-MI, 2-1547-MI
Dim:
 Batt. Term. M8 x 1.25
 Motor Term. M8 x 1.25
 Switch Term. M5 x 0.8 Post
Components:
 66-83204 Cap Assy.

STARTER - SOLENOIDS (7- ACCURATE, 66- WAI)

MITSUBISHI

PMGR Starters (cont'd.)



7-710
Accurate

66-8349
Best Value

Solenoid 12 Volt, 3-Terminal

For: Mitsubishi PMGR Starters
Used On: (1990-89) Nissan
Replaces: Nissan 23343-84A17
Unit Nos: Mitsubishi M1T72085
Lester Nos: 17146
WAI Ref. Nos: 2-1117-MI
Dim:
 Batt. Term. M8 x 1.25
 Motor Term. M8 x 1.25
 Switch Term. Male Spade w/ Lead
Components:
 76-89606 Switch Term. Lead



7-778
Accurate

66-8344
Best Value

Solenoid 12 Volt, 3-Terminal

For: Mitsubishi PMGR Starters
Used On: (1992-88) Dodge, Eagle
Replaces: Jeep 83502674 (stamped SB665)
Unit Nos: Mitsubishi M1T73581, M1T74481, M1T74482
Lester Nos: 17046
WAI Ref. Nos: 2-1234-MI, 2-1236-MI
Dim:
 Batt. Term. M8 x 1.25
 Motor Term. M8 x 1.25
 Switch Term. M5 x 0.8 Post



7-785
Accurate

66-8328
Best Value

Solenoid 12 Volt, 3-Terminal

For: Mitsubishi PMGR Starters
Used On: (1989-87) Nissan
Replaces: Nissan 23343-01Y10, 23343-57M70 (stamped SB687)
Unit Nos: Mitsubishi M1T70985, M1T71581, M1T71681
Lester Nos: 16874, 16900
WAI Ref. Nos: 2-1111-MI, 2-1114-MI
Dim:
 Batt. Term. M8 x 1.25
 Motor Term. M8 x 1.25
 Switch Term. Male Spade w/ Lead



7-786
Accurate

66-8325
Best Value

Solenoid 12 Volt, 4-Terminal

For: Mitsubishi PMGR Starters
Used On: (1988-87) Mazda
Replaces: Mazda AM15-18-X10 (stamped SB615)
Unit Nos: Mitsubishi M1T70485
Lester Nos: 17185
WAI Ref. Nos: 2-1148-MI
Dim:
 Batt. Term. M8 x 1.25
 Motor Term. M8 x 1.25
 Switch Term. Male Spade
 Relay Term. Female Spade w/ Lead
Components:
 66-83205 Cap Assy.

STARTER - SOLENOIDS (7- ACCURATE, 66- WAI)



7-1100 Accurate **66-8347** Best Value

Solenoid
12 Volt, 3-Terminal

For: Mitsubishi PMGR Starters
Used On: (1995-90) Nissan
Replaces: Nissan 23343-60U10, 23343-86G11
Unit Nos: Mitsubishi M1T60281, M1T60285
Lester Nos: 17425
WAI Ref. Nos: 2-1121-MI
Dim:
 Batt. Term. M8 x 1.25
 Motor Term. M8 x 1.25
 Switch Term. Male Spade w/ Lead
Components:
 66-83211 Cap Assy.
 76-89600 Switch Term. Lead



7-1104 Accurate **66-8364** Best Value

Solenoid
12 Volt, 3-Terminal

For: Mitsubishi PMGR Starters
Used On: (2000-95) Chrysler, Dodge
Unit Nos: Mitsubishi M1T78581, M1T78681
Lester Nos: 17559, 17561
WAI Ref. Nos: 2-1771-MI, 2-1820-MI
Dim:
 Batt. Term. M8 x 1.25
 Motor Term. M8 x 1.25
 Switch Term. Male Spade
Components:
 66-83705 Movable Contact Assy.



7-1105 Accurate **66-8365** Best Value

Solenoid
12 Volt, 3-Terminal

For: Mitsubishi PMGR Starters
Used On: (2001-93) Chrysler, Dodge, Eagle, Plymouth
Unit Nos: Mitsubishi M1T77781, M1T84181
Lester Nos: 17461, 17726
WAI Ref. Nos: 2-1443-MI, 2-1950-MI
Dim:
 Batt. Term. M8 x 1.25
 Motor Term. M8 x 1.25
 Switch Term. Male Spade
Components:
 66-83705 Movable Contact Assy.



7-1129 Accurate **66-8366** Best Value

Solenoid
12 Volt, 3-Terminal

For: Mitsubishi PMGR Starters
Used On: (1998-94) Dodge, Jeep
Unit Nos: Mitsubishi M1T79481, M1T79482
Lester Nos: 17564
WAI Ref. Nos: 2-1782-MI
Dim:
 Batt. Term. M8 x 1.25
 Motor Term. M8 x 1.25
 Switch Term. M5 x 0.8 Post
Components:
 66-83705 Movable Contact Assy.

STARTER - SOLENOIDS (7- ACCURATE, 66- WAI)

MITSUBISHI

PMGR Starters (cont'd.)



7-1144
Accurate

66-8368
Best Value

Solenoid

12 Volt, 3-Terminal

For: Mitsubishi PMGR Starters

Used On: (1997-93) Nissan

Replaces: Nissan 23343-1E410, 23343-4E100

Unit Nos: Mitsubishi M1T73881

Lester Nos: 17478

WAI Ref. Nos: 2-1611-MI

Dim:

Batt. Term. M8 x 1.25

Motor Term. M8 x 1.25

Switch Term. Male Spade w/ Lead

Components:

66-83705 Movable Contact Assy.



66-8346
Solenoid

12 Volt, 3-Terminal

For: Mitsubishi PMGR Starters

Used On: (1999-89) Infiniti, Nissan

Replaces: (stamped SB784P)

Unit Nos: Mitsubishi M0T60081, M1T72281, M1T72281A, M1T72985

Lester Nos: 17161, 17246, 17685

WAI Ref. Nos: 2-1115-MI, 2-1128-MI, 2-1847-MI

Dim:

Batt. Term. M8 x 1.25

Motor Term. M8 x 1.25

Switch Term. Male Spade w/ Lead

Components:

66-83209 Cap Assy.

76-89606 Switch Term. Lead

Features:

- Best Value
- 100% New at rebuilt prices



7-1148
Accurate

66-8372
Best Value

Solenoid

12 Volt, 3-Terminal

For: Mitsubishi PMGR Starters

Used On: (2000-98) Nissan

Replaces: Nissan 23343-9E010

Unit Nos: Mitsubishi M0T85081, Nissan 23300-9E010

Lester Nos: 17740

WAI Ref. Nos: 2-1936-MI

Dim:

Batt. Term. M8 x 1.25

Motor Term. M8 x 1.25

Switch Term. Male Spade

Components:

66-83224 Solenoid Cap Assy.



66-8370
Solenoid

12 Volt, 3-Terminal

For: Mitsubishi PMGR Starters

Used On: (1999-94) Mercury, Nissan

Replaces: Ford F4XY-11390-A; Nissan 23343-0B710, -0M210

Unit Nos: Ford F4XA-11000-BA, -BB; F4XY-11002-A, F5XY-11002-A;

Mitsubishi M0T80281, M1T64285;

Nissan 23300-0B711, -0M210, -0M211

Lester Nos: 17479, 17688

WAI Ref. Nos: 2-1772-MI, 2-1864-MI

Dim:

Batt. Term. M8 x 1.25

Motor Term. M8 x 1.25

Switch Term. Male Spade w/ Lead

Features:

- Best Value
- 100% New at rebuilt prices

STARTER - SOLENOIDS (7- ACCURATE, 66- WAI)



66-8371
(Ref# 7-1147)

Solenoid
12 Volt, 3-Terminal

For: Mitsubishi PMGR Starters
Used On: (2000-96) Infiniti, Nissan
Replaces: Nissan 23343-0W010
Unit Nos: Mitsubishi MOT60181; Nissan 23300-0W010, -0W011
Lester Nos: 17683
WAI Ref. Nos: 2-1848-MI
Dim:
 Batt. Term. M8 x 1.25
 Motor Term. M8 x 1.25
 Switch Term. Male Spade
Components:
 66-83225 Cap Assy.
 76-83551 Switch Terminal
Features:
 • Best Value
 • 100% New at rebuilt prices



66-8375
Solenoid

12 Volt, 3-Terminal

For: Mitsubishi PMGR Starters
Used On: (2002-99) Dodge, Jeep
Unit Nos: Chrysler 56041012AB, 56041013AC; Mitsubishi MOT83381, M1T84381
Lester Nos: 17749, 17799
WAI Ref. Nos: 2-1966-MI, 2-2053-MI
Dim:
 Batt. Term. M8 x 1.25
 Motor Term. M8 x 1.25
 Switch Term. Male Spade
Components:
 66-83221 Cap Assy.
 76-83552 Switch Terminal
Features:
 • Best Value
 • 100% New at rebuilt prices

NIKKO



7-858
Accurate

66-8400-2
Best Value

Solenoid
24 Volt, 3-Terminal

For: Nikko 3.7kW-7.5kW DD Starters
Used On: Isuzu, Komatsu, Teledyne
Replaces: Isuzu 1-81151-026-1, 1-81151-047-0; Nikko 0-47100-3030, 0-47100-3040, 0-47100-3060
Unit Nos: Nikko 0-21000-3390, 0-21000-3391, 0-21000-3411, 0-21000-3650, 0-21000-3651, 0-21000-3783, 0-21000-4130, 0-21000-4131, 0-21000-4132, 0-21000-4192, 0-21000-4740, 0-21000-4850, 0-21000-4870, 0-21000-4880, 0-21000-5080
Lester Nos: 18068, 18069, 18070, 18072, 18074, 18076, 18081
Dim:
 Batt. Term. M10 x 1.25
 Motor Term. M10 x 1.25
 Switch Term. M5 x 0.8 Post (RH)
Components:
 66-84205 Solenoid Repair Kit



7-859
Accurate

66-8402-2
Best Value

Solenoid
24 Volt, 3-Terminal

For: Nikko 4.5kW OSGR Starters
Used On: Isuzu, Kobelco America
Replaces: Isuzu 1-81151-038-0, 5-81151-036-0; Nikko 0-47100-3100, -3110; Nissan 23343-99211
Unit Nos: Nikko 0-23000-1030, -1031, -1050, -1070, -1071, -1080, -1310, -1700, -3000
Lester Nos: 18100, 18192, 18194
WAI Ref. Nos: 2-1951-NK
Dim:
 Batt. Term. M10 x 1.25
 Motor Term. M8 x 1.25
 Switch Term. M5 x 0.8 Post (LH)
Components:
 66-84202 Solenoid Repair Kit

STARTER - SOLENOIDS (7- ACCURATE, 66- WAI)

NIKKO (cont'd.)



7-1176
Accurate

66-8409-2
Best Value

Solenoid

24 Volt, 3-Terminal

For: Nikko 5.5kW, 7.5kW OSGR Starters

Used On: Komatsu Equipment w/ 6D105, 6D110, 6D125 Engines

Replaces: Nikko 0-47100-3420

Unit Nos: Nikko 0-23000-1620, 0-23000-6210, 0-23000-6213, 0-23000-6232, 0-23000-6250, 0-23000-6310, 0-23000-6340, 0-23000-6341, 0-23000-6510, 0-23000-6520, 0-23000-6523, 0-23000-6524, 0-23000-6530, 0-23000-6531, 0-23000-6610, 0-23000-7000, 0-23000-7020

Lester Nos: 18085, 18087, 18105, 18107

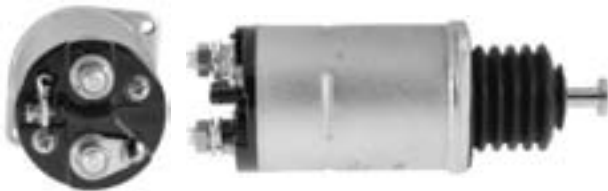
WAI Ref. Nos: 2-2018-NK

Dim:

Batt. Term. M10 x 1.25

Motor Term. M10 x 1.25

Switch Term. M5 x 0.8 Post (RH)



7-1177
Accurate

66-8410-2
Best Value

Solenoid

12 Volt, 3-Terminal

For: Nikko 2.2kW OSGR Starters

Used On: Komatsu Lift Trucks w/ 4D95 Engine

Replaces: Nikko 0-47100-3901

Unit Nos: Nikko 0-23000-0260, 0-23000-0262

Lester Nos: 18125

Dim:

Batt. Term. M8 x 1.25

Motor Term. M8 x 1.25

Switch Term. M4 x 0.7 Hole (LH)



7-1178
Accurate

66-8411-2
Best Value

Solenoid

24 Volt, 3-Terminal

For: Nikko 2.8kW OSGR Starters

Used On: Komatsu

Replaces: Nikko 0-47100-3592

Unit Nos: Komatsu 600-813-3143, Nikko 0-23000-0272

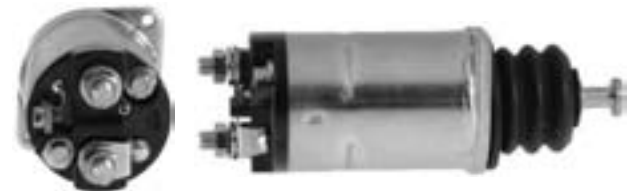
Lester Nos: 18108

Dim:

Batt. Term. M8 x 1.25

Motor Term. M8 x 1.25

Switch Term. M4 x 0.7 Hole (LH)



7-1179
Accurate

66-8412-2
Best Value

Solenoid

24 Volt, 3-Terminal

For: Nikko 3.5kW DD Starters

Used On: Hitachi Construction, Isuzu

Replaces: Nikko 0-47100-3180

Unit Nos: Nikko 0-21000-4720, 0-21000-4931, 0-21000-4932, 0-21000-4933, 0-21000-4934

Lester Nos: 18193

Dim:

Batt. Term. M8 x 1.25

Motor Term. M8 x 1.25

Switch Term. M4 x 0.7 Hole (LH)



7-1180
Accurate

66-8413-2
Best Value

Solenoid

24 Volt, 3-Terminal

For: Nikko 5.5kW OSGR Starters

Used On: Komatsu Equipment w/ 4D95, 4D105, 6D95, 6D105, 6D110 Engines

Replaces: Nikko 0-47100-3510

Unit Nos: Nikko 0-23000-1160, 0-23000-1190, 0-23000-1231, 0-23000-1290, 0-23000-1330, 0-23000-1530, 0-23000-1640, 0-23000-1750, 0-23000-1752, 0-23000-3130

Lester Nos: 18077, 18104, 18106

Dim:

Batt. Term. M10 x 1.25

Motor Term. M8 x 1.25

Switch Term. M5 x 0.8 Post (LH)

STARTER - SOLENOIDS (7- ACCURATE, 66- WAI)



66-8414-2
Solenoid
24 Volt, 3-Terminal

For: Nikko 7.5kW OSGR Starters
Used On: Komatsu Equipment w/ 6D105, 6D110, 6D125, 6D140 Engines
Replaces: Nikko 0-47100-3940
Unit Nos: Nikko 0-23000-3150, 0-23000-3160, 0-23000-3170, 0-23000-3180, 0-23000-3280
Lester Nos: 18083, 18084, 18128
Dim:
 Batt. Term. M10 x 1.25
 Motor Term. M10 x 1.25
 Switch Term. M5 x 0.8 Post (RH)
Components:
 66-84205 Solenoid Repair Kit
Features:

- Best Value
- 100% New at rebuilt prices



66-8415-2
Solenoid
12 Volt, 3-Terminal

For: Nikko 2.5kW DD Starters
Used On: White Farm Tractors w/ Isuzu 4-169 Diesel Engine
Replaces: Nikko 0-47100-3440
Unit Nos: Isuzu 1-81100-227-0, Nikko 0-21000-5150
Lester Nos: 18082
Dim:
 Batt. Term. M10 x 1.25
 Motor Term. M10 x 1.25
 Switch Term. M5 x 0.8 Post (RH)
Components:
 66-84205 Solenoid Repair Kit
Features:

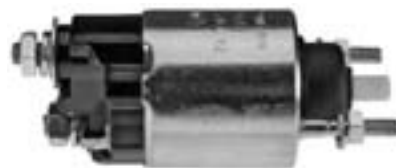
- Best Value
- 100% New at rebuilt prices

NIPPONDENSO

DD Starters



7-751
Accurate



66-8210
Best Value

Solenoid
12 Volt, 3-Terminal

For: Nippondenso DD, PLGR Starters
Used On: (1996-86) Geo, Isuzu, Suzuki, Toyota; Link-Belt Construction
Replaces: Ishikawajima 18581-6300; Isuzu 8-94455-179-0, 8-94361-908-0; Nippondenso 053400-8780, 053400-7130, 153400-0850; Toyota 28150-10021
Unit Nos: Nippondenso 128000-427, 128000-568, 128000-642, 128000-740, 128000-774, 128000-853, 128000-889
Lester Nos: 16879, 17187, 17203, 17252, 17253
WAI Ref. Nos: 2-1201-ND, 2-1433-ND, 2-1543-ND, 2-1544-ND, 2-1693-ND
Dim:
 Batt. Term. M8 x 1.25
 Motor Term. M8 x 1.25
 Switch Term. Male Spade
Components:
 66-82201 Cap Assy.



7-844
Solenoid

12 Volt, 3-Terminal

For: Nippondenso DD Starters
Used On: (1984-71) Ford, Subaru, Toyota
Replaces: Nippondenso 053400-1040, -1260, -1530, -2880, -3330, -3350, -3710, -3720, -3810; Toyota 28150-22011, -24061, -25010, -25011, -25013, -25020, -33020, -33021, -34070, -41011, -60040
Unit Nos: Nippondenso 028000-101, -197, -200, -216, -224, -226, -236, -266, -268, -289, -297, -305, -324, -350, -421, -448, -449, -450, -452, -460, -472, -522, -523, -633, -642, -643, -653, -654, -811, -812, -969
Lester Nos: 16215, 16217, 16220, 16222, 16223, 16224, 16230, 16245, 16254, 16260, 16261, 16272, 16468, 16626, 16633, 16637, 16646, 16712, 16826
WAI Ref. Nos: 2-1023-ND, 2-1027-ND, 2-1028-ND, 2-1031-ND, 2-1130-ND, 2-1204-ND, 2-1205-ND, 2-1251-ND, 2-1252-ND, 2-1421-ND, 2-1422-ND, 2-1423-ND, 2-1435-ND, 2-1624-ND, 2-1682-ND
Dim:
 Batt. Term. M8 x 1.25
 Motor Term. M8 x 1.25
 Switch Term. Male Spade
Note: For version w/ Female Bullet R-Terminal Lead use 7-846. For version w/ Female Spade R-Terminal Lead use 7-872.
Features:

- Accurate

STARTER - SOLENOIDS (7- ACCURATE, 66- WAI)

NIPPONDENSO

DD Starters (cont'd.)



7-846
Accurate

66-8203
Best Value

Solenoid

12 Volt, 4-Terminal

For: Nippondenso DD Starters

Used On: (1984-70) Ford, Toyota; Kubota

Replaces: Nippondenso 053400-1040, -1150, -1260, -1260, -1530, -1870, -1880, -2120, -2250, -2880, -3000, -3010, -3330, -3350, -3370, -3710, -3720, -3810; Toyota 28150-12030, -12031, -22011, -24010, -24060, -24061, -24070, -24071, -25010, -25011, -25013, -25020, -26030, -33020, -33021, -34011, -34070, -36051, -41011, -41020, -60040

Unit Nos: Nippondenso 028000-101, -197, -200, -216, -224, -226, -236, -266, -268, -289, -297, -300, -305, -309, -310, -324, -350, -371, -380, -404, -409, -421, -427, -433, -444, -448, -449, -450, -452, -460, -465, -469, -472, -522, -523, -609, -633, -642, -643, -653, -654, -811, -812, -969

Lester Nos: 16215, 16217, 16220, 16222, 16223, 16224, 16230, 16245, 16254, 16260, 16261, 16272, 16468, 16626, 16633, 16637, 16646, 16712, 16826

WAI Ref. Nos: 2-1023-ND, 2-1027-ND, 2-1028-ND, 2-1031-ND, 2-1130-ND, 2-1133-ND, 2-1204-ND, 2-1205-ND, 2-1251-ND, 2-1252-ND, 2-1421-ND, 2-1422-ND, 2-1423-ND, 2-1435-ND, 2-1624-ND, 2-1682-ND

Dim:

Batt. Term. M8 x 1.25

Motor Term. M8 x 1.25

Switch Term. Male Spade

Relay Term. M4 x 0.7 Post w/ Female Bullet Lead

Note: For Best Value use 66-8203.

For version w/ Female Spade R-Terminal Lead use 7-872.

For version wo/ R-Terminal use 7-844



7-848
(Ref# 66-8201)

Solenoid

12 Volt, 3-Terminal

For: Nippondenso DD Starters

Used On: (1983-78) Dodge, Honda, Plymouth

Unit Nos: Nippondenso 028000-509, 028000-513, 028000-672, 028000-721

Lester Nos: 16417, 16418, 16910, 16911

WAI Ref. Nos: 2-1009-ND, 2-1395-ND, 2-1396-ND

Dim:

Batt. Term. M8 x 1.25

Motor Term. M8 x 1.25

Switch Term. M4 x 0.7 Post

Features:

- Accurate



7-861
Accurate

66-8209-2
Best Value

Solenoid

12 Volt, 3-Terminal

For: Nippondenso DD Starters

Used On: (1991-82) Chevrolet, Geo, Honda, Isuzu

Unit Nos: Nippondenso 028000-801, 028000-869, 028000-993, 128000-029, 128000-067, 128000-130, 128000-131, 128000-467, 128000-523

Lester Nos: 16734, 16735, 16843, 16880, 16883, 16912

WAI Ref. Nos: 2-1013-ND, 2-1194-ND, 2-1434-ND, 2-1683-ND

Dim:

Batt. Term. M8 x 1.25

Motor Term. M8 x 1.25

Switch Term. Male Spade

66-8209-3

Solenoid

12 Volt, 3-Terminal

Same as 7-861 except...

Features:

- Best Value
- Bulk packaged, 25/case



7-869
Accurate

66-8212-1
Best Value

Solenoid

24 Volt, 3-Terminal

For: Nippondenso DD Starters

Used On: Caterpillar, John Deere

Replaces: John Deere AR84336; Nippondenso 053400-3540, 053400-6050

Unit Nos: Nippondenso 028000-525, 128000-048

Lester Nos: 16655, 17371

WAI Ref. Nos: 2-1962-ND, 2-2045-ND

Dim:

Batt. Term. 1/2-13

Motor Term. 3/8-16 (w/ M4 x 0.7 Int. Thd.)

Switch Term. 10-32 Post w/ Lead

STARTER - SOLENOIDS (7- ACCURATE, 66- WAI)



7-872
Solenoid
12 Volt, 4-Terminal

For: Nippondenso DD Starters

Used On: (1979-70) Toyota

Replaces: Nippondenso 053400-2160, -2550, -3340; Toyota 28150-23010, -36050, -60060

Unit Nos: Nippondenso 028000-382

Lester Nos: 16224

WAI Ref. Nos: 2-1028-ND

Dim:

Batt. Term. M8 x 1.25

Motor Term. M8 x 1.25

Switch Term. Male Spade

Relay Term. M4 x 0.7 Post w/ Female Spade Terminal Lead

Note: For version w/ Female Bullet R-Terminal Lead use 7-846.

For version wo/ R-Terminal use 7-844

Features:

- Accurate



7-879
Accurate

66-8202
Best Value

Solenoid

12 Volt, 3-Terminal

For: Nippondenso DD Starters

Used On: Allis-Chalmers, Caterpillar, Hino, John Deere, Onan

Unit Nos: Nippondenso 028000-329, 028000-365, 028000-393, 028000-397, 028000-493, 028000-504, 028000-592, 028000-596, 028000-692, 128000-026, 128000-077, 128000-200, 128000-369

Lester Nos: 16641, 16643

WAI Ref. Nos: 2-2028-ND, 2-2044-ND

Dim:

Batt. Term. 3/8-16

Motor Term. 3/8-16 (w/ M4 x 0.7 Int. Thd.)

Switch Term. 10-32 Post w/ Lead



7-893
Accurate

66-8205-5
Best Value

Solenoid

12 Volt, 3-Terminal

For: Nippondenso DD Starters

Used On: (1994-80) Chevrolet, Daihatsu, Ford, Geo, Subaru, Suzuki, Toyota; Carrier, John Deere, Komatsu, Kubota

(cont'd.)

(cont'd.)

Lester Nos: 16215, 16218, 16222, 16245, 16468, 16707, 16766, 16804, 16832, 16838, 16971, 17000, 17058, 17152, 17354

WAI Ref. Nos: 2-1023-ND, 2-1033-ND, 2-1039-ND, 2-1058-ND, 2-1133-ND, 2-1205-ND, 2-1208-ND, 2-1218-ND, 2-1238-ND, 2-1421-ND, 2-1621-ND, 2-1622-ND, 2-1682-ND, 2-1929-ND, 2-1930-ND

Dim:

Batt. Term. M8 x 1.25

Motor Term. M8 x 1.25

Switch Term. Male Spade

Components:

66-82201 Cap Assy.



7-898
(Ref# 66-8204)
Solenoid

12 Volt, 3-Terminal

For: Nippondenso DD Starters

Used On: (1986-81) Chrysler, Dodge, Plymouth

Unit Nos: Nippondenso 028000-717, 128000-238

Lester Nos: 16677, 16974, 17015

WAI Ref. Nos: 2-1380-ND, 2-1384-ND

Dim:

Batt. Term. M8 x 1.25

Motor Term. M8 x 1.25

Switch Term. M4 x 0.7 Post

Features:

- Accurate



7-1167
(Ref# 66-8218)
Solenoid

12 Volt, 4-Terminal

For: Nippondenso DD Starters

Used On: John Deere

Unit Nos: Nippondenso 128000-597, 128000-723, 128000-725, 228000-236, 228000-237, 228000-469

Lester Nos: 17618, 17625, 17627, 18008

WAI Ref. Nos: 2-2043-ND, 2-2279-ND

Dim:

Batt. Term. 1/2-13

Motor Term. 1/2-13 (w/ M4 x 0.7 Int. Thd.)

Switch Term. 10-32 Post & M5 x 0.8 Post

Grd. Term. Lead w/ Eyelet

Features:

- Accurate

STARTER - SOLENOIDS (7- ACCURATE, 66- WAI)

NIPPONDENSO

DD Starters (cont'd.)



7-1168
(Ref# 66-8219)
Solenoid
12 Volt, 4-Terminal

For: Nippondenso DD Starters

Used On: Peterbilt

Unit Nos: Nippondenso 128000-492

WAI Ref. Nos: 2-1961-ND

Dim:

Batt. Term. 1/2-13

Motor Term. 1/2-13 (w/ M4 x 0.7 Int. Thd.)

Switch Term. M5 x0.8mm (RH)

Grd. Term. M5 x 0.8mm (LH)

Features:

- Accurate



66-8217
Solenoid
12 Volt, 4-Terminal

For: Nippondenso IIF Series DD Starters

Used On: Case IH, IHC, Peterbilt, UPS Truck

Unit Nos: Nippondenso 128000-533, 128000-606, 128000-607, 128000-608, 128000-980, 228000-010, 228000-139, 228000-140

WAI Ref. Nos: 2-1762-ND, 2-1763-ND

Dim:

Batt. Term. 1/2-13

Motor Term. 1/2-13 (w/ M4 x 0.7 Int. Thd.)

Switch Term. 10-32

Grd. Term. Lead w/ Eyelet

Features:

- Best Value
- 100% New at rebuilt prices

OSGR Starters



66-8211
Solenoid
12 Volt, 3-Terminal

For: Nippondenso 2.5kW OSGR Starters

Used On: Case, Cummins, Toyota, Versatile

Unit Nos: Nippondenso 028000-556, 128000-021, 128000-054, 128000-227, 128000-248, 128000-312

Lester Nos: 16990

WAI Ref. Nos: 2-1526-ND

Dim:

Batt. Term. M10 x 1.5

Motor Term. M10 x 1.5

Switch Term. M5 x 0.8 Hole

Components:

66-82353 Terminal Post, Battery

66-82354 Terminal Post, Motor

66-82402 Gasket, Cover

66-82450 Coil

66-82605 Contact & Plunger Assy.

66-82767 Stationary Contact, Motor

66-82770 Stationary Contact, Battery

72-82410 Insulator, Terminal Post

72-82412 Insulator, Terminal Post, Battery

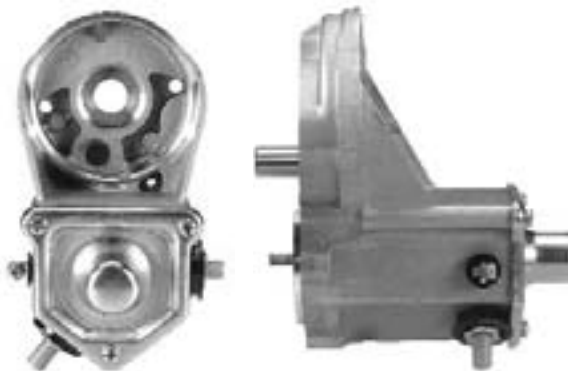
72-82412 Insulator, Terminal Post, Motor

72-82413 Insulator, Terminal Post

76-82575 Terminal, Switch

85-2504 Nut, Battery

85-2505 Nut, Motor



66-8213
Solenoid
12 Volt, 3-Terminal

For: Nippondenso OSGR Starters

Used On: Case

Unit Nos: Nippondenso 028000-588

Lester Nos: 16658

WAI Ref. Nos: 2-1726-ND

(cont'd.)

STARTER - SOLENOIDS (7- ACCURATE, 66- WAI)

(cont'd.)

Dim:

Batt. Term. M10 x 1.5

Motor Term. M10 x 1.5

Switch Term. M5 x 0.8 Hole

Components:

66-82353 Terminal Post, Battery

66-82354 Terminal Post, Motor

66-82402 Gasket, Cover

66-82452 Coil

66-82605 Contact & Plunger Assy.

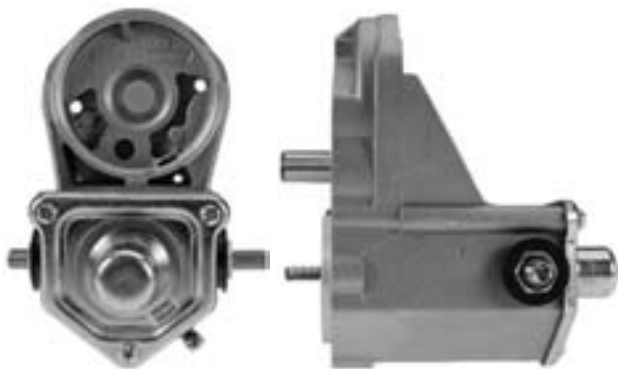
66-82767 Stationary Contact, Motor

66-82769 Stationary Contact, Battery

72-82410 Insulator, Terminal Post Motor

72-82412 Insulator, Terminal Post Internal

72-82413 Insulator, Terminal Post Battery External



66-8214
(Ref# 7-716)

Solenoid

24 Volt, 3-Terminal

For: Nippondenso 4.5kW OSGR Starters

Used On: Isuzu, Komatsu, Toyota

Replaces: Toyota 28150-77090

Unit Nos: Komatsu 600-813-3240, 600-813-3250;
Nippondenso 028000-530, 028000-553, 028000-856,
128000-100, 128000-101

Lester Nos: 17286, 17376, 18181

WAI Ref. Nos: 2-2104-ND

Dim:

Batt. Term. M10 x 1.5

Motor Term. M10 x 1.5

Switch Term. M5 x 0.8 Hole

Components:

66-82353 Terminal Post, Battery

66-82354 Terminal Post, Motor

66-82402 Gasket, Cover

66-82605 Contact & Plunger Assy.

66-82767 Stationary Contact, Motor

66-82770 Stationary Contact, Battery

72-82410 Insulator, Terminal Post Motor

72-82412 Insulator, Terminal Post Internal

76-82575 Terminal, Switch

85-2505 Nut

85-4503 Washer



66-8215
(Ref# 7-712)

Solenoid

24 Volt, 3-Terminal

For: Nippondenso 4.5kW OSGR Starters

Used On: Toyota Lift Truck

Replaces: Isuzu 1-81151-034-0;

Toyota 28150-47090, -46040, -47030

Unit Nos: Hyster 3004568; Isuzu 1-81100-141-0,
5-81100-118-0, 8-81100-253-1;

Nippondenso 028000-557, 028000-586, 028000-620,
028000-724, 028000-781;

Toyota 28100-22061, 28100-31625-71, 28100-46040,
28100-47090, 28100-47091

Lester Nos: 16614, 16896, 18190

WAI Ref. Nos: 2-1754-ND, 2-2105-ND, 2-2106-ND

Dim:

Batt. Term. M10 x 1.5

Motor Term. M10 x 1.5

Switch Term. M5 x 0.8 Hole

Components:

66-82353 Terminal Post, Battery

66-82354 Terminal Post, Motor

66-82402 Gasket, Cover

66-82605 Contact & Plunger Assy.

66-82767 Stationary Contact, Motor

66-82770 Stationary Contact, Battery

72-82410 Insulator, External

72-82412 Insulator, Terminal Post

72-82413 Insulator, Terminal Post

76-82575 Terminal, Switch

85-2504 Nut, Battery

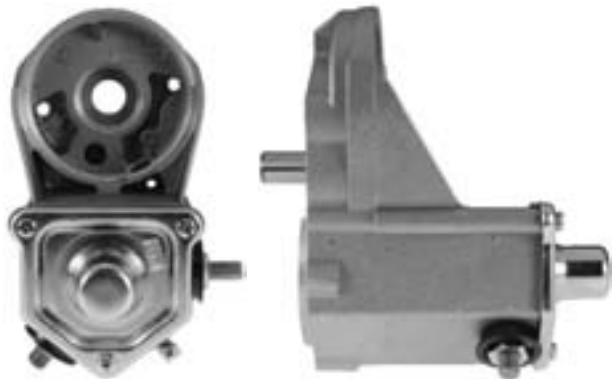
85-2505 Nut, Motor

85-4503 Washer

STARTER - SOLENOIDS (7- ACCURATE, 66- WAI)

NIPPONDENSO

OSGR Starters (cont'd.)



66-8216
(Ref# 7-715)

Solenoid

12 Volt, 3-Terminal

For: Nippondenso 2.5kW OSGR Starters

Used On: Isuzu Truck

Unit Nos: Nippondenso 028000-656

Lester Nos: 17302

WAI Ref. Nos: 2-1753-ND

Dim:

Batt. Term. M10 x 1.5

Motor Term. M10 x 1.5

Switch Term. M5 x 0.8 Hole

Components:

66-82353 Terminal Post, Battery

66-82354 Terminal Post, Motor

66-82402 Gasket, Cover

66-82605 Contact & Plunger Assy.

66-82767 Stationary Contact, Motor

66-82770 Stationary Contact, Battery

72-82412 Insulator, Terminal Post

72-82413 Insulator, Terminal Post

76-82575 Terminal, Switch

85-2504 Nut

85-4503 Washer

PRESTOLITE



7-965
Accurate

66-600
Best Value

Solenoid

12 Volt, 3-Terminal, Grounded Base

For: Prestolite MDL, MDT, MEO Series Starters

Used On: AMC, Chrysler, Clark, Dodge, Eaton, Ford, Onan, Plymouth, Thermo King, Yale Lift Trucks

Replaces: Chrysler 1692659, 1889799; Prestolite 15-1, 15-325, 15-4, 15-57, 15-61, 15-62, 15-63, 15-64, SAD-4401, SAD-4403, SAD-4501, SAD-4502

Dim:

Batt. Term. 5/16-18

Motor Term. 5/16-18

Switch Term. 10-32 Post

VALEO



7-696
Accurate



66-9427
Best Value

Solenoid

12 Volt, 3-Terminal

For: Valeo PMGR Starters

Used On: (1999-95) Saturn

Replaces: Valeo 182717, 182827, 5023-26D5

Unit Nos: Delco 21023232, 21023719, 21023994, 21024210;

Valeo D6RA65, D6RA85, D6RA165, D6RA185

Lester Nos: 17667

WAI Ref. Nos: 2-1713-VA

Dim:

Batt. Term. M8 x 1.25

Motor Term. M8 x 1.25

Switch Term. M6 x 1.0 Post

Note: Without plunger

7-696B

Solenoid

12 Volt, 3-Terminal

Same as 7-696 except...

Features:

- Accurate
- Bulk packaged, 25/case



7-776

(Ref# 66-9408)

Solenoid

12 Volt, 3-Terminal

For: Paris Rhone / Valeo DD, OSGR Starters

Used On: (1990-88) Eagle, Peugeot, Winnebago

Unit Nos: Paris Rhone D9E69, D9E85, D9E92, D9E93, D9E851, D9E852, D9R105, D9R121, D9R73, D10E88, D10E89

Lester Nos: 16745, 17034, 17035, 17085, 17144

WAI Ref. Nos: 2-1299-PR, 2-1309-PR, 2-1462-PR, 2-1463-PR, 2-1464-PR

Dim:

Batt. Term. M8 x 1.25

Motor Term. M8 x 1.25

Switch Term. Male Spade

Features:

- Accurate

STARTER - SOLENOIDS (7- ACCURATE, 66- WAI)



7-791

(Ref# 66-9403)

Solenoid

12 Volt, 4-Terminal

For: Paris Rhone / Valeo DD Starters

Used On: (1991-80) Peugeot

Replaces: Paris Rhone 99932, 102217, 105254, 182462, 2102217, CED518, CED529, CED543

Unit Nos: Paris Rhone D9E36, D9E49, D9E50, D9E51, D9E54, D9E61, D9E62, D9E87, D9E95, D10E87

Lester Nos: 16484, 16533, 16749, 16750, 17019, 17157

WAI Ref. Nos: 2-1293-PR, 2-1298-PR, 2-1300-PR, 2-1313-PR

Dim:

Batt. Term. M8 x 1.25

Motor Term. M8 x 1.25

Switch Term. Male Spade

Relay Term. Male Spade

Features:

- Accurate



66-9419

(Ref# 7-885)

Solenoid

12 Volt, 4-Terminal

For: Ducellier / Valeo DD Starters

Used On: (1990-77) Peugeot; Toro

Replaces: Ducellier 606913, 681411

Unit Nos: Ducellier / Valeo 6045, 6185, 6219, 6227, 6237, 6242, 532021, 532023

Lester Nos: 16462

WAI Ref. Nos: 2-1295-DU

Dim:

Batt. Term. M8 x 1.25

Motor Term. M8 x 1.25

Switch Term. M5 x 0.8 Post

Relay Term. M5 x 0.8 Post



66-9400

(Ref# 7-876)

Solenoid

12 Volt, 3-Terminal

For: Ducellier / Valeo DD Starters

Used On: (1987-83) Renault

Replaces: Ducellier 583333, 683457

Unit Nos: Ducellier / Valeo 534029, 534042, 534043

Lester Nos: 16797

WAI Ref. Nos: 2-1308-DU

Dim:

Batt. Term. M8 x 1.25

Motor Term. M8 x 1.25

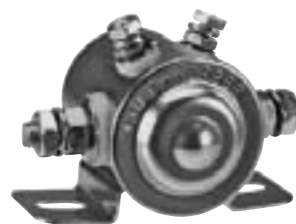
Switch Term. Male Spade

Features:

- Best Value

SPECIALTY SWITCHES

Continuous Duty Solenoids



7-1013

Continuous Duty Solenoid

12 Volt, 4-Terminal

Used On: Golf Carts & Industrial Applications where Solenoid is to be engaged for extended periods of time

Replaces: Cole Hersee 24059, 24143;

Delco 1114208, 218, 223, 534, 547;

Prestolite 15-88, 15-132, 15-133, 15-236, 15-311, 15-316,

SAS-4201, SAS-4202, SAS-4213, SAS-5201A; SAS-5203, A

Dim:

2) 5/16-24 Contact Terms.

2) 10-32 Terminal

Note: Flat mounting bracket.

Mounting holes: 5/16 x 19/32, 2-13/64 on centers.

For steel housing w/ copper contacts use 7-1017.

For plastic coated steel housing w/ copper contacts see 7-1057.

Features:

- Accurate
- Silver alloy contact terminals
- Insulated base w/ steel housing
- 200 amp rating

STARTER - SOLENOIDS (7- ACCURATE, 66- WAI)

SPECIALTY SWITCHES

Continuous Duty Solenoids (cont'd.)



7-1017
Accurate

Continuous Duty Solenoid
12 Volt, 4-Terminal

Used On: Golf Carts & Industrial Applications where Solenoid is to be engaged for extended periods of time

Replaces: Cole Hersee 24059;

Delco 1114208, 218, 223, 534, 547;

Prestolite 15-88, 15-132, 15-133, 15-236, 15-311, 15-316, SAS-4201, SAS-4202, SAS-4213, SAS-5201A; SAS-5203, A

Dim:

2) 5/16-24 Contact Terms.

2) 10-32 Terminal

Note: Flat mounting bracket.

Mounting holes: 5/16 x 19/32, 2-13/64 on centers.

For steel housing w/ silver contacts use 7-1013.

For plastic coated steel housing w/ copper contacts see 7-1057.

Features:

- Copper contact terminals
- Insulated base w/ steel housing
- Coil winding 16-21 ohms

67-702
Best Value



7-1019

Continuous Duty Solenoid
12 Volt, 3-Terminal

Used On: Golf Carts & Industrial Applications where Solenoid is to be engaged for extended periods of time

Replaces: Cole Hersee 24106;

Prestolite 15-139, 15-296, 15-342, 15-345, SAS-4208, SBC-4201, SBC-4201D, SBC-4201E

Dim:

2) 5/16-24 Contact Terms.

1) 10-32 Terminal

Note: Flat mounting bracket.

Mounting holes: 5/16 x 19/32, 2-13/64 on centers.

Features:

- Accurate
- Copper contact terminals
- Grounded base w/ steel housing
- Coil winding 16-21 ohms



7-1018

Continuous Duty Solenoid
6 Volt, 3-Terminal

Used On: Golf Carts & Industrial Applications where Solenoid is to be engaged for extended periods of time

Replaces: Cole Hersee 24097;

Prestolite 15-144, SAS-4601;

United Technologies SO-51170

Dim:

2) 5/16-24 Contact Terms.

1) 10-32 Terminal

Note: Flat mounting bracket.

Mounting holes: 5/16 x 19/32, 2-13/64 on centers.

Features:

- Accurate
- Copper contact terminals
- Insulated base w/ steel housing
- Coil winding 2.5-3.5 ohms



7-1020
Accurate

Continuous Duty Solenoid
24 Volt, 4-Terminal

Used On: Golf Carts & Industrial Applications where Solenoid is to be engaged for extended periods of time

Replaces: Cole Hersee 24063;

Prestolite 15-141, 15-196, 15-304, 15-310, SAS-4401, SAS-4408, SAS-5401A;

United Technologies SO-51181

Dim:

2) 5/16-24 Contact Terms.

2) 10-32 Terminal

Note: Flat mounting bracket.

Mounting holes: 5/16 x 19/32, 2-13/64 on centers.

For plastic coated steel housing use 7-1058

Features:

- Copper contact terminals
- Insulated base w/ steel housing
- Coil winding 60-80 ohms

67-703-1
Best Value

STARTER - SOLENOIDS (7- ACCURATE, 66- WAI)



7-1021
(Ref# 67-704-1)
Continuous Duty Solenoid
36 Volt, 4-Terminal

Used On: Golf Carts & Industrial Applications where Solenoid is to be engaged for extended periods of time

Replaces: Cole Hersee 24080, E-Z-Go 11761GA; Prestolite 15-242, 15-243, 15-334, SAS-4301, SAS-4302, SAS-4303, SAS-5303A; United Technologies 50-51184

Dim:

2) 5/16-24 Contact Terms.

2) 10-32 Terminal

Note: Flat mounting bracket.

Mounting holes: 9/32 x 11/16, 2-7/64 on centers.

Features:

- Accurate
- Copper contact terminals
- Insulated base w/ steel housing
- Coil winding 100-135 ohms



7-1050
Continuous Duty Solenoid
12 Volt, 6-Terminal (S.P.D.T)

Used On: Carrier Refrigeration Equipment and Industrial Applications where Solenoid is to be engaged for extended periods of time. For forward & reverse drive systems in Golf Cart, Garden Tractors, Fork Lifts & Winch applications

Replaces: Carrier 10-01088, Cole Hersee 24401, Prestolite 15-323, SBD-4201A; United Technologies SO-51189

Dim:

2) 5/16-24 Contact Terms.

4) 10-32 Terminal

Note: Flat mounting bracket.

Mounting holes: 5/16 x 19/32, 2-13/64 on centers.

For plastic coated housing use 7-1052.

Features:

- Accurate
- Copper contact terminals
- Insulated base w/ steel housing



7-1051
Continuous Duty Solenoid
12 Volt, 5-Terminal (S.P.D.T)

Used On: John Deere Equipment and other Industrial Applications where Solenoid is to be engaged for extended periods of time. For forward & reverse drive systems in Golf Cart, Garden Tractors, Fork Lifts & Winch applications

Replaces: Cole Hersee 24401-01, John Deere 35906; Prestolite 15-301, 15-338, SBD-4201, SBD-4201D

Dim:

2) 5/16-24 Contact Terms.

3) 10-32 Terminal

Note: Flat mounting bracket.

Mounting holes: 5/16 x 19/32, 2-13/64 on centers.

Features:

- Accurate
- Copper contact terminals
- Grounded base w/ steel housing



7-1052
Continuous Duty Solenoid
12 Volt, 6-Terminal (S.P.D.T)

Used On: Industrial Applications where Solenoid is to be engaged for extended periods of time. For forward & reverse drive systems in Golf Cart, Garden Tractors, Fork Lifts & Winch applications

Replaces: Cole Hersee 24401-04

Dim:

2) 5/16-24 Contact Terms.

4) 10-32 Terminal

Note: Flat mounting bracket.

Mounting holes: 5/16 x 19/32, 2-13/64 on centers.

For steel housing use 7-1050.

Features:

- Accurate
- Copper contact terminals
- Insulated base w/ plastic coated steel housing
- Encased plastic covering protects against weather & dirt

STARTER - SOLENOIDS (7- ACCURATE, 66- WAI)

SPECIALTY SWITCHES

Continuous Duty Solenoids (cont'd.)



7-1053

Continuous Duty Solenoid 24 Volt, 6-Terminal (S.P.D.T)

Used On: Advance Machine Floor Sweeper, Clark, Taylor Dunn Electric Vehicle, Trilectron and other Industrial Applications where Solenoid is to be engaged for extended periods of time. For forward & reverse drive systems in Golf Cart, Garden Tractors, Fork Lifts & Winch applications

Replaces: Clark 13521, Cole Hersee 24402; Prestolite 15-326, SBD-4401; United Technologies SO-51191

Dim:

- 2) 5/16-24 Contact Terms.
- 4) 10-32 Terminal

Note: Flat mounting bracket.

Mounting holes: 5/16 x 19/32, 2-13/64 on centers.
For steel housing use 7-1050.

Features:

- Accurate
- Copper contact terminals
- Insulated base w/ steel housing



7-1058

Continuous Duty Solenoid 24 Volt, 4-Terminal

Used On: Golf Carts, Industrial & Marine Applications where Solenoid is to be engaged for extended periods of time

Replaces: Cole Hersee 24063-08; Prestolite 15-141, 15-196, 15-304, 15-310, SAS-4401, SAS-4408, SAS-5401A; United Technologies SO-51181

Dim:

- 2) 5/16-24 Contact Terms.
- 2) 10-32 Terminal

Note: Flat mounting bracket.

Mounting holes: 5/16 x 19/32, 2-13/64 on centers.
For plastic coated steel housing use 7-1020

Features:

- Accurate
- Copper contact terminals
- Insulated base w/ plastic coated steel housing
- Encased plastic covering protects against weather & dirt
- Coil winding 60-80 ohms

Engine Shut-Off Solenoids



7-1041

(Ref# 67-104)

Engine Shut-Off Solenoid 12 Volt

Used On: Case w/ Detroit Diesel Engine

Replaces: Delco 1118128

Features:

- Accurate

Foot Operate Solenoids



7-1005

Solenoid, Foot Operated 3-Terminal

Used On: Allis Chalmers, AMC, AM General, Autocar, Baker, Brockway, Case, Caterpillar, Chicago Pneumatic, Continental, Diamond T, Ford, Gruman Flexible Bus, Jeep, John Bean, John Deere, Kaiser, Long Mfg., Mack, Massey Ferguson, Navistar, New Holland, Oliver, Onan, Owatonna, Studebaker, Teledyne, Waukesha, White, Wisconsin

Replaces: Cole Hersee 9060, Delco 405C, 1972119, 1996497, D900; Prestolite 15-47, 15-50, 15-51, SW-4001, SW-4001A, SW-4002, SW-4005, SW-4010

Dim:

- 2) 5/16-24 Contact Terms.

Note: Mounting holes: 2) 9/32 dia. holes, 1-3/4 on centers.
Plunger 1.83" long.

Features:

- Accurate
- Copper contact terminals
- Insulated base
- Push button contact

STARTER - SOLENOIDS (7- ACCURATE, 66- WAI)



7-1007
Solenoid, Foot Operated
2-Terminal

Used On: Chevrolet, GMC, John Deere
Replaces: Cole Hersee 91001, Delco 1930496, D906; Motorcraft SWG-201; Prestolite 15-201

Dim:

1) 3/8-16 Terminal

1) 8-32 Terminal

Note: Mounting holes: 7/32 x 9/32, 1.40" on centers

Features:

- Accurate
- Copper terminal
- Insulated base



9-845
(Ref# 67-101)
Series-Parallel Switch
12-24 Volt, Double Stage

Replaces: Delco 1119845

Features:

- Accurate
- Silver contacts

Series-Parallel & Magnetic Switches



9-844
(Ref# 67-100)
Series-Parallel & Magnetic Switch
12-24 Volt, Triple Stage

Replaces: Delco 1119844

Features:

- Accurate
- Silver contacts



9-865
(Ref# 67-102)
Magnetic Switch
12-24 Volt, 1500 Amp, Intermittent Duty Single Stage

Replaces: Delco 1119865

Note: Mounting holes: 3-1/8 on centers

Features:

- Accurate

9-865E
Magnetic Switch
12-24 Volt, 1500 Amp, Intermittent Duty Single Stage

Same as 9-845 except...

Note: Same as 9-865 except economy version w/ wider mounting bracket. Mounting holes: 4-7/16 on centers

Features:

- Accurate Economy

STARTER - SOLENOIDS (7- ACCURATE, 66- WAI)

SPECIALTY SWITCHES

Solenoid Switches



7-1002

Solenoid

12 Volt, 3-Terminal

Used On: Caterpillar, Chrysler, Continental, Crusader, Dodge, OMC, Plymouth, Teledyne

Replaces: Chrysler 2240272, Cole Hersee 24037, OMC 277609; Prestolite 15-163, SAW-4201T; Teledyne F226M00363

Dim:

- 2) 5/16-24 Contact Terms.
- 1) 10-32 Terminal

Note: Flat mounting bracket.

Mounting holes: 5/16 x 19/32, 2-13/64 on centers.

Features:

- Accurate
- Copper contact terminals
- Grounded base w/ steel housing



7-1003

Solenoid

12 Volt, 3-Terminal

Used On: Allis Chalmers, Case, Caterpillar, Checker Motors, Chris Craft, Chrysler, Clark, Continental, Crusader, Dodge, Eaton, GMC, Gray Marine, Hyster, IHC, Jeep, John Deere, Kohler, Massey Ferguson, Mercury Marine, Minneapolis Moline, Oliver, OMC, Owens, Teledyne, Tow Motor, Volvo/White, Waukesha, White, Wisconsin, Yale Forklift

Replaces: Chrysler 2095329, CH-2329, CH-2333; Delco 1450, 1454, 1457, 1467, 1485, 1114200, 1114207, 1114216, 1118820, D905, D909, D928; Ford 01A-11450, SWC-303, SWG-18, SWX-18, SWX-60, SWX-79, SWX-226; Prestolite 15-2C, 15-8, 15-18, 15-60, 15-74, 15-75, 15-79, 15-134, 15-232, 15-404, 15-405, SS-4003, SS-4003A, SS-4031S, SS-4301, SS-4301A, SS-4301S, SAE-4005, SAS-4303, SAW-4201, SAW-4201Y, SAW-4210, SAW-4210Y, SAW-4214, SSE-4006, SSW-4001S

Dim:

- 2) 5/16-24 Contact Terms.
- 1) 10-32 Terminal

Note: Curved mounting bracket.

Mounting holes: 9/32 x 11/16, 2-1/8 on centers.

Features:

- Accurate
- Copper contact terminals
- Grounded base w/ steel housing



7-1037

Solenoid

6 Volt, 3-Terminal

Used On: Allis Chalmers, AMC, Baker, Case, Caterpillar, Checker Motors, Chris Craft, Chrysler, Clark, Dodge, Eaton, Gray Marine, Hyster, IHC, Jeep, John Deere, Kohler, Massey Ferguson, Mercury Marine, Minneapolis Moline, Tow Motor, Waukesha, White, Wisconsin, Yale Forklift

Replaces: AMC 120568, Case A25802; Caterpillar 10093, 30037; Chrysler 633166, 648336, 658336, 927081, 1692754, CH-2302; Cole Hersee 24039; Delco 1453, 1459, 1463, 1475, 1508, 1528, 1541, 1549, 1564; Prestolite 15-28, 15-31, 15-125, 15-129, 15-160, 15-168, 15-170, 15-225, SAW-4601, SAW-4601M, SAW-4601T, SS-4001, SS-4002, SS-4009S, SS-4017, SS-4018, SS-4020, SST-4002, SST-4003, SST-4004, SST-4010; United Technologies SO-51171, 8825-1, 8860-1

Dim:

- 2) 5/16-24 Contact Terms.
- 1) 10-32 Terminal

Note: Curved mounting bracket.

Mounting holes: 5/16 x 19/32, 2-1/8 on centers.

Features:

- Accurate
- Copper contact terminals
- Grounded base w/ steel housing



7-1038

Solenoid

12 Volt, 4-Terminal

Used On: AMC, Caterpillar, Checker Motors, Chrysler, Dodge, Evinrude, Ford, Ford Farm Tractors & Equipment, Jeep, Johnson, Lincoln, Mercury, Mercury Marine, OMC, Plymouth

Replaces: Chrysler 1658883, 2095606, CH-2336; Cole Hersee 24047; Delco 1477, 1486, 1114206, 1114537; Mercury Marine 25661, 8761053, 8915857, 8976545, 8968258; OMC 378444, 581528; Prestolite 15-5C, 15-6, 15-66, 15-72, 15-137, 15-150, 15-274, 15-275, 15-295, 15-340, 15-348, 15-351, 15-368, 15-391, 15-400, 15-415, 15-418, 15-441, 15-451, 15-457, 15-487, SAE-4003M, SAS-4206, SAS-5202C; SAW-4206, M; SAW-4221Y, SAW-5203; SAZ-4201AB, ABY, AHY, AL, AP, BC, BR, CJ, DUY, EY; United Technologies SO-51177, 8890-3

Dim:

- 2) 5/16-24 Contact Terms.
- 2) 10-32 Terminal

Note: Flat mounting bracket.

Mounting holes: 5/16 x 19/32, 2-13/64 on centers. (cont'd.)

(cont'd.)

Features:

- Accurate
- Copper contact terminals
- Insulated base w/ steel housing



**7-1055
Solenoid**

12 Volt, 3-Terminal

Used On: Western Snow Plow

Replaces: Cole Hersee 24077; Ford 59B-11450; United Technologies SO-51179, Western 25634

Dim:

- 2) 5/16-24 Contact Terms.
- 1) 10-32 Terminal

Note: Curved mounting bracket.

Mounting holes: 5/16 x 19/32, 2-13/16 on centers.

Features:

- Accurate
- Copper contact terminals
- Insulated base w/ plastic coated steel housing
- Encased plastic covering protects against weather & dirt



**7-1062
Solenoid**

**12 Volt, 4-Terminal, Latching Solenoid,
Continuous Duty**

Used On: Agricultural, Industrial & Truck Applications requiring a remote Disconnect Battery Switch or remotely operated Battery Isolator

Replaces: Cole Hersee 24200

Dim:

- 2) 5/16-24 Terminal
- 2) 10-32 Terminal

Note: Flat mounting bracket.

Mounting holes: 5/16 x 19/32, 2-13/64 on centers.

110 amps continuous (carry only).

Remotely Operated Battery Isolator: can be used to isolate one battery from another in a two battery system and prevent battery power loss or drain. 7-1062 will not produce voltage drop typically associated with battery isolators because of its electro-mechanical characteristics (not relying on diodes) to perform the isolating function. In this application 7-1062 is used in conjunction with a momentary switch.

Remote Battery Disconnect Switch: can be used as a battery disconnect switch where vehicle wiring constraints do not allow for the location of heavy gauge wire. In this application 7-1062 is used in conjunction with a momentary switch located on a panel or dash.

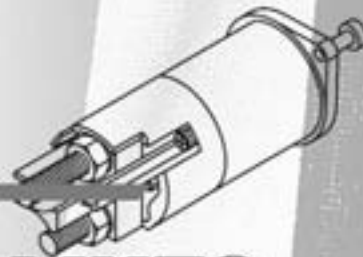
(cont'd.)

(cont'd.)

Features:

- Accurate
- No heat is generated because the coil is taken out of the circuit
- Requires less than 3.5 amps to operate
- Compact, mounts in tight locations
- Insulated w/ plated steel housing

SOLENOID



WAI OFFERS TWO LINES OF 100% NEW SOLENOIDS



- Accurate Premium Solenoids
- WAI Best Value Solenoids

**Accurate & WAI
Interchange Guide
is Featured on Page 701**

WAI BEST VALUE - 100% NEW AT REBUILT PRICES CONSISTENT PERFORMANCE - EXCELLENT VALUE

Solenoid designs are endurance tested on starters to verify consistent performance in the real-world operating environment.

Solid copper contact bolts provide optimum electrical contact and minimize the possibility of surface resistance.

High-temperature Bakelite solenoid cap provides excellent dimensional stability and resistance to warping and cracking.

All the necessary hardware is supplied for quick, problem-free installation.



High temperature coil insulation is used throughout, minimizing the possibility of internal electrical shorting.

Coils are 100% machine wound to exacting standards to ensure efficient electrical operation and strong magnetic plunger operation.

Cases feature high dielectric strength to resist electrical shorting. They are also surface ground and plated for a superb finish.



BOSCH



66-91200 Solenoid Cap Assy. 12 Volt, 4-Terminal

For: Bosch 208, 211, 311, 312 Series DD Starters, w/ 302 Series Solenoids
Used On: (1989-67) Opel, Porsche, VW
Unit Nos: Bosch 0-001-208-202; 0-001-211-200, -201, -221, -222, -992, -993, -997, -998; 0-001-212-209; 0-001-311-112; 0-001-312-100
Lester Nos: 16300, 16426, 16443, 16446, 16450, 16546
WAI Ref. Nos: 2-1312-BO, 2-1339-BO, 2-1340-BO, 2-1341-BO, 2-1353-BO

Dim:
 Batt. Term. M8 x 1.25
 Motor Term. M8 x 1.25
 Switch Term. Male Spade
 Relay Term. Male Spade
Note: Relay terminal width 6.5mm. Similar to 66-91216 except 66-91216 has 5mm wide relay terminal. Used in 66-9125, 66-9127, 66-9180 solenoids.

Features:
 • Universal 3-prong design

66-91200-2 Solenoid Cap Assy. 12 Volt, 4-Terminal

Same as 66-91200 except...

Features:
 • Bulk packaged, 50/case



66-91201 Solenoid Cap Assy. 12 Volt, 4-Terminal

For: Bosch 110 Series PMGR; 208, 211, 311 Series DD Starters, w/ 303 Series Solenoids
Used On: (1999-72) Audi, Mercedes, Porsche
 (cont'd.)

(cont'd.)
Unit Nos: Bosch 0-001-110-039, -053, -113; 0-001-208-200, -201; 0-001-211-218; 0-001-311-118, -122, -136, -137

Lester Nos: 16401, 16534, 16781, 17150, 17227

WAI Ref. Nos: 2-1280-BO, 2-1281-BO, 2-1342-BO, 2-1343-BO, 2-1350-BO

Dim:
 Batt. Term. M8 x 1.25
 Motor Term. M8 x 1.25
 Switch Term. M4 x 0.7 Hole
 Relay Term. M5 x 0.8 Hole

Note: Used in 66-9129 solenoids. Used w/ 66-91700 movable contact assy.

Components:
 66-91352 Stationary Contact, Motor
 66-91353 Stationary Contact, Battery



66-91203 Solenoid Cap Assy. 12 Volt, 4-Terminal

For: Bosch 107, 108, 110 Series PMGR; 114 Series PMDD; 208, 211, 212, 311, 312, 314, 317 Series DD Starters, w/ 303 Series Solenoids
Used On: (2002-72) Alfa Romeo, Audi, Fiat, Jeep, Land Rover, Pontiac, VW, Volvo, Winnebago; Hatz
Lester Nos: 16257, 16401, 16408, 16410, 16531, 16541, 16547, 16548, 16556, 16622, 16623, 16726, 16781, 16953, 16956, 16959, 16961, 16980, 17025, 17030, 17121, 17124, 17164, 17222, 17223, 17224, 17231, 17233, 17408, 17508, 17663

Dim:
 Batt. Term. M8 x 1.25
 Motor Term. M8 x 1.25
 Switch Term. Male Spade
 Relay Term. Male Spade
Note: Relay-terminal width 6.5mm. Similar to 66-91211 except 66-91211 has 5mm wide relay-terminal. Used in 66-9126, 66-9131 solenoids. Used w/ 66-91700 movable contact assy.

Components:
 66-91352 Stationary Contact, Motor
 66-91353 Stationary Contact, Battery

66-91203-2 Solenoid Cap Assy. 12 Volt, 4-Terminal

Same as 66-91203 except...

Features:
 • Bulk packaged, 50/case



66-91204 Solenoid Cap Assy. 12 Volt, 3-Terminal

For: Bosch 108, 110 Series PMGR; 208 Series DD Starters, w/ 303 Series Solenoids
Used On: (1991-78) Chrysler, Dodge, Plymouth

Unit Nos: Bosch 0-001-108-013, -032, -045, -046, -066, -068, -069, -070; 0-001-110-024; 0-001-208-404, -407, -413, -420, -421

Lester Nos: 16416, 16417, 16727, 16962, 16963, 16974, 16976, 17015, 17047, 17082, 17210, 17218

WAI Ref. Nos: 2-1380-BO, 2-1384-BO, 2-1385-BO, 2-1387-BO, 2-1392-BO, 2-1394-BO, 2-1396-BO, 2-2027-BO

Dim:
 Batt. Term. M8 x 1.25
 Motor Term. M8 x 1.25
 Switch Term. M4 x 0.7 Post
Note: Used in 66-9132, 66-9182 solenoids. Used w/ 66-91700 movable contact assy.

Components:
 66-91352 Stationary Contact, Motor
 66-91353 Stationary Contact, Battery

66-91204-2 Solenoid Cap Assy. 12 Volt, 3-Terminal

Same as 66-91204 except...

Features:
 • Bulk packaged, 50/case

STARTER - SOLENOID PARTS (66-)

BOSCH (cont'd.)



66-91205
Solenoid Cap Assy.
12 Volt, 3-Terminal

For: Bosch 362, 364, 365, 366, 368, 369 Series DD Starters, w/ 402 Series Solenoids

Used On: (1985-74) Audi, Mercedes (Diesel); Caterpillar, Deutz, Ditch Witch, Ingersoll-Rand, JCB, Magirus

Unit Nos: Bosch 0-001-362-005, -006, -007, -008, -011, -017, -019, -020, -021, -027, -028, -029, -030, -032, -033, -038, -040, -042, -047, -049, -050, -051, -052, -053, -057, -059, -060, -064, -072, -075, -076, -078, -085, -090, -304, -600, -605, -700, -701; 0-001-364-100, -101, -104, -105; 0-001-365-004, -005, -006, -007, -008; 0-001-366-004, -005, -006, -008, -011, -015, -019, -021, -022, -026; 0-001-367-072; 0-001-368-058, -069, -301; 0-001-369-002, -003, -006; 9-000-143-408

Lester Nos: 16445, 16615, 16957, 16999, 17318

WAI Ref. Nos: 2-1270-BO, 2-1277-BO, 2-1905-BO, 2-1925-BO, 2-1980-BO, 2-2042-BO

Dim:

Batt. Term. M10 x 1.5
Motor Term. M10 x 1.5
Switch Term. M4 x 0.7 Hole

Note: Used in 66-9100, 66-9102, 66-9105, 66-9106, 66-9140, 66-9141, 66-9181 solenoids.

Used w/ 66-91701 movable contact assy. (early style) or 66-91702 movable contact kit (late style).



66-91207
Solenoid Cap Assy.
12 Volt, 3-Terminal

For: Bosch 362, 366 Series DD Starters, w/ 402 Series Solenoids (cont'd.)

(cont'd.)

Used On: Deutz, IHC, KHD, Mercedes, Opel, Renault

Unit Nos: Bosch 0-001-354-092; 0-001-362-013, -014, -015, -016, -022, -023, -024, -025, -034, -035, -036, -037, -041, -046, -058, -063, -071, -074; 0-001-366-001, -002, -003, -009, -010, -012, -013, -014, -016, -017, -018, -020, -024, -025, -027, -028, -029; 0-001-367-023

Lester Nos: 16445, 16615

WAI Ref. Nos: 2-1270-BO, 2-1976-BO

Dim:

Batt. Term. M10 x 1.5
Motor Term. M10 x 1.5
Switch Term. M4 x 0.7 Hole

Note: Used in 66-9121 solenoid.

Used w/ 66-91701 movable contact assy. (early style) or 66-91702 movable contact kit (late style).



66-91208
Solenoid Cap Assy.
12 Volt, 3-Terminal

For: Bosch 108 Series PMGR Starters, w/ 303 Series Solenoids

Used On: (1994-85) Eagle, Jeep, Renault

Unit Nos: Bosch 0-001-108-051, 0-001-108-052, 0-001-108-056, 0-001-108-154

Lester Nos: 16980, 17163

WAI Ref. Nos: 2-1231-BO, 2-1311-BO

Dim:

Batt. Term. M8 x 1.25
Motor Term. M8 x 1.25
Switch Term. M5 x 0.8 Post

Note: Used in 66-9163, 66-9168 solenoids.

Used w/ 66-91700 movable contact assy.

Components:

66-91352 Stationary Contact, Motor
66-91353 Stationary Contact, Battery

66-91208-2
Solenoid Cap Assy.
12 Volt, 3-Terminal

Same as 66-91208 except...

Features:

- Bulk packaged, 50/case



66-91209
Solenoid Cap Assy.
12 Volt, 3-Terminal

For: Bosch 108 Series PMGR Starters, w/ 303 Series Solenoids

Used On: (1996-91) Chrysler, Dodge, Plymouth

Unit Nos: Bosch 0-001-108-103, 0-001-108-104, 0-001-108-105, 0-001-108-134, 0-001-108-135

Lester Nos: 16963, 17210

WAI Ref. Nos: 2-1386-BO, 2-1387-BO, 2-1394-BO

Dim:

Batt. Term. M8 x 1.25
Motor Term. M8 x 1.25
Switch Term. M5 x 0.8 Post

Note: Used in 66-9164 solenoid.

Used w/ 66-91700 movable contact assy.

Components:

66-91352 Stationary Contact, Motor
66-91353 Stationary Contact, Battery



66-91210
Solenoid Cap Assy.
12 Volt, 4-Terminal

For: Bosch 108, 110 Series PMGR; 218 Series PLGR; 314 Series DD Starters, w/ 303 Series Solenoids

Used On: (1993-74) BMW, Mercedes

Unit Nos: Bosch 0-001-108-003, 0-001-110-016, 0-001-218-009; 0-001-314-005, -028, -029, -036

Lester Nos: 16543, 17016, 17038, 17039, 17043

WAI Ref. Nos: 2-1262-BO, 2-1271-BO, 2-1275-BO, 2-1278-BO, 2-1279-BO

(cont'd.)

(cont'd.)

Dim:

Batt. Term. M8 x 1.25
 Motor Term. M8 x 1.25
 Switch Term. M4 x 0.7 Hole
 Relay Term. M5 x 0.8 Hole

Note: Used in 66-9117, 66-9147 solenoids.

Used w/ 66-91700 movable contact assy.

Components:

66-91352 Stationary Contact, Motor
 66-91353 Stationary Contact, Battery



66-91211

**Solenoid Cap Assy.
 12 Volt, 4-Terminal**

For: Bosch 108 Series PMGR; 311, 314 Series DD Starters, w/ 303 Series Solenoids

Used On: (1995-80) BMW, Saab, Volvo

Unit Nos: Bosch 0-001-108-012, 0-001-108-030, 0-001-108-038, 0-001-108-088, 0-001-108-091, 0-001-108-092, 0-001-311-100, 0-001-314-025

Lester Nos: 16616, 16617, 17013, 17135, 17276

WAI Ref. Nos: 2-1258-BO, 2-1260-BO, 2-1283-BO, 2-1284-BO, 2-1290-BO

Dim:

Batt. Term. M8 x 1.25
 Motor Term. M8 x 1.25
 Switch Term. Male Spade
 Relay Term. Male Spade

Note: Relay terminal width 5mm. Similar to 66-91203 except 66-91203 has 6.5mm wide relay terminal.

Used in 66-9146 solenoid.

Used w/ 66-91700 movable contact assy.

Components:

66-91352 Stationary Contact, Motor
 66-91353 Stationary Contact, Battery



66-91213

**Solenoid Cap Assy.
 12 Volt, 4-Terminal**

For: Bosch 108, 110 Series PMGR; 314 Series DD Starters, w/ 303 Series Solenoids

Used On: (1996-87) BMW

Unit Nos: Bosch 0-001-108-064, 0-001-108-065, 0-001-108-115, 0-001-110-041, 0-001-314-045

Lester Nos: 16617, 17140, 17236, 17237

WAI Ref. Nos: 2-1263-BO, 2-1264-BO, 2-1267-BO, 2-1269-BO

Dim:

Batt. Term. M8 x 1.25
 Motor Term. M8 x 1.25
 Switch Term. M6 x 1.0 Post
 Relay Term. M5 x 0.8 Post

Note: Used in 66-9170 solenoid.

Used w/ 66-91700 movable contact assy.

Components:

66-91353 Stationary Contact, Battery
 66-91353 Stationary Contact, Motor

66-91213-2

**Solenoid Cap Assy.
 12 Volt, 4-Terminal**

Same as 66-91213 except...

Features:

- Bulk packaged, 50/case



66-91214

**Solenoid Cap Assy.
 12 Volt, 3-Terminal**

For: Bosch 208, 211, 212, 317 Series DD Starters, w/ 303 Series Solenoids

Used On: (1991-82) VW

(cont'd.)

(cont'd.)

Unit Nos: Bosch 0-001-208-425, -426; 0-001-211-253, -254; 0-001-212-213, -214, -402, -403; 0-001-317-016, -017

Lester Nos: 16722, 16958, 16961, 17065, 17066

WAI Ref. Nos: 2-1361-BO, 2-1364-BO, 2-1370-BO, 2-1371-BO, 2-1449-BO

Dim:

Batt. Term. M8 x 1.25
 Motor Term. M8 x 1.25
 Switch Term. Male Spade

Note: Used in 66-9175 solenoids.

Used w/ 66-91700 movable contact assy.

Components:

66-91352 Stationary Contact, Motor



66-91215

**Solenoid Cap Assy.
 12 Volt, 3-Terminal**

For: Bosch 107 Series PMGR Starters, w/ 303 Series Solenoids

Used On: (1999-95) Chrysler, Dodge, Eagle, Mitsubishi, Plymouth

Unit Nos: Bosch 0-001-107-031, 0-001-107-032, 0-001-107-049, 9-007-045-009

Lester Nos: 17560, 17563, 17572

WAI Ref. Nos: 2-1519-BO, 2-1681-BO

Dim:

Batt. Term. M8 x 1.25
 Motor Term. M8 x 1.25
 Switch Term. M6 x 1.0 Post & Detachable Male Spade

Note: Used in 66-9169, 66-9187 solenoids.

Used w/ 66-91700 movable contact assy.

Components:

66-91352 Stationary Contact, Motor
 66-91353 Stationary Contact, Battery
 76-91550 Switch Terminal

STARTER - SOLENOID PARTS (66-)

BOSCH (cont'd.)



66-91216

Solenoid Cap Assy. 12 Volt, 4-Terminal

For: Bosch 208, 211, 214, 311 Series DD Starters, w/ 302 Series Solenoids

Used On: (1988-75) Saab, Volvo

Unit Nos: Bosch 0-001-208-006, -014, -029; 0-001-211-002, -004, -005, -014, -016; 0-001-214-002; 0-001-311-001, -027, -032, -103, -105, -108, -115, -146, -147

Lester Nos: 16353, 16360, 16446, 16450, 16550, 16551, 16683, 16954

WAI Ref. Nos: 2-1282-BO, 2-1285-BO, 2-1286-BO, 2-1288-BO, 2-1340-BO, 2-1426-BO, 2-1902-BO

Dim:

Batt. Term. M8 x 1.25
Motor Term. M8 x 1.25
Switch Term. Male Spade
Relay Term. Male Spade

Note: Relay terminal width 5mm. Similar to 66-91200 except 66-91200 has 6.5mm wide relay terminal. Used in 66-9157, 66-9183 solenoids.



66-91218

Solenoid Cap Assy. 12-24 Volt, 3-Terminal

For: Bosch 359, 360, 367, 368 Series DD Starters

Used On: IHC, Mercedes

Unit Nos: Bosch 0-001-359-043, 0-001-359-084, 0-001-359-111, 0-001-360-022, 0-001-360-037, 0-001-360-056, 0-001-367-034, 0-001-367-039, 0-001-367-042, 0-001-367-059, 0-001-368-024, 0-001-368-028, 0-001-368-055

Lester Nos: 17106, 18250, 18371

WAI Ref. Nos: 2-2297-BO

(cont'd.)

(cont'd.)

Dim:

Batt. Term. M10 x 1.5

Motor Term. M10 x 1.5

Switch Term. M6 x 1.0 Hole

Note: Used in 66-9107, 66-9123 solenoids.



66-91352

Stationary Contact - Motor Steel w/ Copper Contact

For: Bosch 107, 108, 110 Series PMGR Starters, w/ 303 Series Solenoids

Dim: M8 x 1.25 x 22mm L

Note: Used in 66-91201, 66-91203, 66-91204, 66-91208, 66-91209, 66-91210, 66-91211, 66-91214, 66-91215 cap assys.



66-91353

Stationary Contact - Battery, Motor Steel w/ Copper Contact

For: Bosch 107, 108, 110 Series PMGR Starters, w/ 303 Series Solenoids

Dim: M8 x 1.25 x 28mm L

Note: Used in 66-91201, 66-91203, 66-91204, 66-91208, 66-91209, 66-91210, 66-91211, 66-91214, 66-91215 cap assys.



66-91700

Movable Contact Assy.

For: Bosch 107, 108, 110 Series PMGR; 114 Series PMDD; 208, 211, 212, 218, 311, 312, 314, 317 Series DD Starters, w/ 303 Series Solenoids

Note: Used in 66-9117, 66-9126, 66-9128, 66-9129, 66-9131, 66-9132, 66-9146, 66-9147, 66-9155, 66-9163, 66-9164, 66-9168, 66-9169, 66-9170, (cont'd.)

(cont'd.)

66-9175, 66-9182, 66-9187 & other 303 series solenoids

Components:

66-91551 Spring
66-91752 Retainer
66-91753 Washer
66-91755 Insulator



66-91701

Movable Contact Assy.

For: Bosch 359, 360, 362, 364, 365, 366, 367, 368, 369 Series DD Starters

Note: Used in early style 402 series solenoids w/ removable contact assy.

Components:

66-91752 Retainer
66-91753 Washer



66-91702

Movable Contact Kit

For: Bosch 359, 360, 362, 364, 365, 366, 367, 368, 369 Series DD Starters

Note: Used in late style 402 series solenoids w/ non-removable contact assy.



66-91752

Retainer - Movable Contact

For: Bosch 107, 108, 110 Series PMGR; 114 Series PMDD; 208, 211, 212, 218, 311, 312, 314, 317 Series DD Starters, w/ 302, 402 Series Solenoids

Note: Used in 66-91700, 66-91701, 66-91702 movable contact assys.

STARTER - SOLENOID PARTS (66-)



76-91550

Switch Terminal Extension

For: Bosch 107 Series PMGR Starters

Used On: (1999-95) Chrysler, Dodge, Eagle, Mitsubishi, Plymouth

Unit Nos: Bosch 0-001-107-031, 0-001-107-032, 0-001-107-049, 9-007-045-009

Lester Nos: 17560, 17563, 17572

WAI Ref. Nos: 2-1519-BO, 2-1681-BO

Dim: 6mm Dia. Hole

Note: Used in 66-9169, 66-9187 solenoids.

Used w/ 66-91215 cap assy.



66-91753

Flat Washer - Movable Contact

For: Bosch 107, 108, 110 Series PMGR; 114 Series PMDD; 208, 211, 212, 218, 311, 312, 314, 317 Series DD Starters, w/ 302, 303, 402 Series Solenoids

Dim: 5mm ID x 9mm OD x 1mm T

Note: Used in 66-91700, 66-91701, 66-91702 movable contact assys.

Features:

- Zinc-plated

CHRYSLER



66-3350

Terminal Post - Switch

For: Chrysler 1.5 HP, 1.8 HP OSGR Starters

Replaces: Chrysler 2098628

Dim: 8-32 x 3/4

Note: Used in 66-300, 66-302 solenoids



66-3650

Movable Contact

For: Chrysler 1.5 HP, 1.8 HP OSGR Starters

Replaces: Chrysler 1889091

Dim: 5mm ID x 31.5mm OD

Note: Used in 66-3700 movable contact assy.

Features:

- Cadmium- plated



66-3700

Movable Contact Assy.

For: Chrysler 1.5 HP, 1.8 HP OSGR Starters

Replaces: Chrysler 2932814

Note: Used w/ 66-300, 66-302 solenoids



71-3100

Gasket - Solenoid

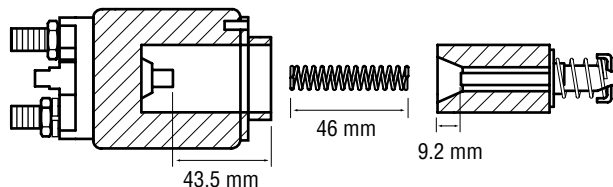
For: Chrysler 1.5 HP, 1.8 HP OSGR Starters

Replaces: Chrysler 2875558

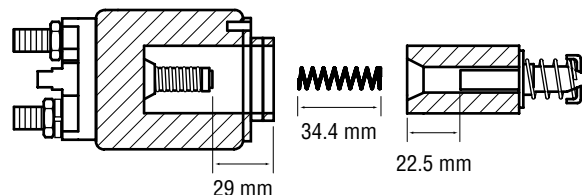
Note: Used in 66-302 solenoid

BOSCH 402 SERIES SOLENOIDS

Early Style Solenoid & Plunger Assy.



Late Style Solenoid & Plunger Assy.



- Bosch solenoid part numbers beginning with 0-331-402... use two different types of movable contact assemblies and plunger assemblies.
- Early-style solenoids use 66-91701 Movable Contact Assy.
- Late-style solenoids use 66-91702 Movable Contact Kit.
- The different solenoid designs are interchangeable but only as a complete assembly that includes the correct plunger assembly.

STARTER - SOLENOID PARTS (66-)

CHRYSLER (cont'd.)



71-3101

Gasket - Solenoid

For: Chrysler 1.5 HP, 1.8 HP OSGR Starters

Note: Used in 66-300, 66-302 solenoids

DELCO



66-1200

**Terminal Plate Assy.
12 Volt**

For: Delco 40MT, 50MT Series DD Starters

Replaces: Delco 1958218

Note: Used in 66-110 solenoid.

Used w/ 66-1700 movable contact assy.

Components:

66-1401 Insulator (Int.)
66-1402 Sealing Washer, Batt. & Mtr.
66-1403 Gasket, Terminal Plate
72-1401 Insulator, Batt. & Mtr.
76-1552 Stationary Contact, Motor
76-1554 Stationary Contact, Batt.



66-1201

**Terminal Plate Assy.
24-32 Volt**

For: Delco 40MT, 50MT Series DD Starters

Replaces: Delco 1902610, 1906493, 1945400, 1953242, 1967330

Note: Used in 66-109 solenoid.

Used w/ 66-1700 movable contact assy (cont'd.)

(cont'd.)

Components:

66-1401 Insulator (Int.)
66-1402 Seal. Washer, Batt. & Mtr. Terms.
66-1403 Gasket, Terminal Plate
72-1401 Insulator, Batt. & Mtr. Terms. (Ext.)
76-1553 Stationary Contact, Motor
76-1555 Stationary Contact, Batt.

Features:

- Silver stationary contacts



66-1202

**Terminal Plate Assy.
12 Volt**

For: Delco 40MT, 50MT Series DD Starters

Replaces: Delco 1979364

Note: Used in 66-106 solenoid.

Used w/ 66-1700 movable contact assy.

Components:

66-1400 Insulator, Batt. & Mtr.
66-1402 Sealing Washer, Batt. & Mtr.
66-1404 Gasket, Terminal Plate
66-1405 Insulator (Int.)
66-1406 Insulator (Int.)
66-1407 Sealing Washer, Grd. & Switch
66-1753 Terminal Strap, Grd. & Switch
76-1552 Stationary Contact, Motor
76-1554 Stationary Contact, Batt.
76-1556 Terminal Post, Grd. & Switch



66-1203

**Terminal Plate Assy.
24-32 Volt**

For: Delco 40MT, 50MT Series DD Starters

Replaces: Delco 1979413, 1979498

Note: Used in 66-107, 66-126 solenoids.

Used w/ 66-1700 movable contact assy (cont'd.)

(cont'd.)

Components:

66-1400 Insulator, Batt. & Mtr.
66-1402 Sealing Washer, Batt. & Mtr.
66-1404 Gasket, Terminal Plate
66-1405 Insulator (Int.)
66-1406 Insulator (Int.)
66-1407 Sealing Washer, Grd. & Switch
66-1753 Terminal Strap, Grd. & Switch
76-1553 Stationary Contact, Motor
76-1555 Stationary Contact, Batt.
76-1556 Terminal Post, Grd. & Switch

Features:

- Silver stationary contacts



66-1204

**Solenoid Repair Kit
12 Volt**

For: Delco 40MT, 50MT Series DD Starters

Note: Used in 66-110 solenoid

Components:

66-1200 Terminal Plate Assy.
66-1700 Movable Contact Assy.
66-1552 Spring, Contact Return
66-1751 Clamp, Grd. & Switch Terms.
84-1105 Screw
84-1331 Screw
84-4101 Lock Washer
84-9302 Screw w/ Washer & Seal



66-1205

**Solenoid Repair Kit
24-32 Volt**

For: Delco 40MT, 50MT Series DD Starters

Note: Used in 66-109 solenoid

Components:

66-1201 Terminal Plate Assy.
66-1552 Spring, Contact Return
66-1700 Movable Contact Assy.
66-1751 Clamp, Grd. & Switch Terms.
84-1105 Screw
84-1331 Screw
84-4101 Lock Washer
84-9302 Screw w/ Washer & Seal

Features:

- Silver stationary contacts



66-1206
Solenoid Repair Kit
12 Volt

For: Delco 40MT, 50MT Series DD Starters

Note: Used in 66-106 solenoid

Components:

- 66-1202 Terminal Plate Assy.
- 66-1552 Spring, Contact Return
- 66-1700 Movable Contact Assy.
- 84-1105 Screw
- 84-1362 Screw
- 84-2305 Hex Nut w/ Washer
- 84-4101 Lock Washer



66-1207
Solenoid Repair Kit
24-32 Volt

For: Delco 40MT, 50MT Series DD Starters

Note: Used in 66-107, 66-126 solenoids.

Components:

- 66-1203 Terminal Plate Assy.
- 66-1552 Spring, Contact Return
- 66-1700 Movable Contact Assy.
- 84-1105 Screw
- 84-1362 Screw
- 84-2305 Hex Nut w/ Washer
- 84-4101 Lock Washer

Features:

- Silver stationary contacts



66-1208
Solenoid Repair Kit
12 Volt

For: Delco 42MT Series DD Starters

Replaces: Delco 1989499

Note: Used in 66-113 solenoid

Components:

- 66-1303 Cap
- 66-1409 Seal, Batt. & Motor Terms.
- 66-1410 Seal, Grd. & Switch Terms.
- 66-1411 Gasket, Cap
- 66-1552 Spring, Contact Return
- 66-1701 Movable Contact Assy.
- 66-1758 Connector, Grd. & Switch
- 66-1759 Connector, Motor Term.
- 66-1760 Bushing, Plunger Rod
- 76-1564 Stationary Contact, Batt.
- 76-1565 Stationary Contact, Motor
- 76-1569 Terminal Post, Grd. & Switch
- 84-2305 Hex Nut w/ Washer
- 84-2600-1 Hex Nut
- 84-2602 Hex Nut
- 84-4304 Washer
- 84-4617 Washer
- 84-9302 Screw w/ Washer & Seal



66-1209
Solenoid Repair Kit
24 Volt

For: Delco 37MT, 42MT Series DD Starters

Replaces: Delco 1989500, 10495812

Note: Used in 66-105, 66-114, 66-128 solenoids

(cont'd.)

(cont'd.)

Components:

- 66-1303 Cap
- 66-1409 Seal, Batt. & Motor Terms.
- 66-1410 Seal, Grd. & Switch Terms.
- 66-1411 Gasket, Cap
- 66-1552 Spring, Contact Return
- 66-1701 Movable Contact Assy.
- 66-1758 Connector, Grd. & Switch
- 66-1759 Connector, Motor Term.
- 66-1760 Bushing, Plunger Rod
- 76-1566 Stationary Contact, Batt.
- 76-1567 Stationary Contact, Motor
- 76-1569 Terminal Post, Grd. & Switch
- 84-2305 Hex Nut w/ Washer
- 84-2600-1 Hex Nut
- 84-2602 Hex Nut
- 84-4304 Washer
- 84-4617 Washer
- 84-9302 Screw w/ Washer & Seal

Features:

- Silver stationary contacts



66-1212
Solenoid Cap Assy.
3-Terminal

For: Delco PG200, PG250 Series PMGR; SD210, SD260 Series DD Starters

Dim:

- Batt. Term. M8 x 1.25
- Motor Term. M8 x 1.25
- Switch Term. M5 x 0.8 Post

Note: Used in 66-121 solenoid. Used w/ 66-1705, 66-1706 movable contact assys.

For aftermarket design repair kit use 66-1220-1.

Components:

- 76-1586 Stationary Contact
- 76-1587 Stationary Contact

Features:

- OE design

STARTER - SOLENOID PARTS (66-)

DELCO (cont'd.)



66-1214 Solenoid Repair Kit 12 Volt

For: Delco 37MT, 41MT, Series DD Starters

Replaces: Delco 10456377, 10456380

Note: Used in 66-117, 66-119, 66-127 solenoids

Components:

- 66-1303 Cap
- 66-1409 Seal, Batt. & Motor Terms.
- 66-1410 Seal, Grd. & Switch Terms.
- 66-1411 Gasket, Cap
- 66-1552 Spring, Contact Return
- 66-1701 Movable Contact Assy.
- 66-1758 Connector, Grd. & Switch
- 66-1759 Connector, Motor Term.
- 66-1760 Bushing, Plunger Rod
- 76-1564 Stationary Contact, Batt.
- 76-1569 Terminal Post, Grd. & Switch
- 76-1575 Stationary Contact, Batt.
- 76-1576 Stationary Contact, Motor
- 84-1402 Screw
- 84-2305 Hex Nut w/ Washer
- 84-2503 Hex Nut
- 84-2600-1 Hex Nut
- 84-2602 Hex Nut
- 84-4304 Washer
- 84-4506 Washer
- 84-4507 Washer
- 84-4617 Washer
- 84-9302 Screw w/ Washer & Seal

Features:

- Universal design replaces caps w/ or wo/ grd. terminal



66-1216 Solenoid Cap Assy. 12 Volt

For: Delco 5MT, 8MT, 10MT, 20-27MT, SD200, SD300 Series DD Starters (cont'd.)

(cont'd.)

Note: Used in 66-101 solenoid. Used w/ 66-1703 movable contact assy.

Components:

- 66-1302-1 Cap
- 66-1755 Contact Finger, Relay
- 76-1559 Terminal Post, Relay
- 76-1560 Stationary Contact, Batt.



66-1218 Solenoid Cap Assy. 12 Volt

For: Delco 5MT, 10MT, 27MT, SD200, SD250, SD300 Series DD; 15GR Series OSGR Starters

Note: Used in 66-100 solenoid. Used w/ 66-1702 movable contact assy.

Components:

- 66-1308 Cap
- 66-1780 Contact Finger, Relay
- 76-1577 Stationary Contact, Batt.
- 76-1578 Terminal Post, Relay



66-1220-1 Solenoid Repair Kit 12 Volt, 3-Terminal

For: Delco PG200, PG250 Series PMGR; SD210, SD260 Series DD Starters

Note: Used in 66-121 solenoid. Includes movable contact assy. For OE design cap assy. use 66-1212.

Components:

- 66-1226 Cap Assy.

Features:

- Aftermarket design
- Solid motor terminal
- Easier solder connection - cap has a motor-terminal connecting strap with hollow rivet for easier solder connection rather than a hollow OE motor terminal



66-1222 Solenoid Cap Assy. 12 Volt, 4-Terminal

For: Delco PG260F1, PG260M Series PMGR Starters

Unit Nos: Delco 9000821, 9000822, 9000840

Dim:

- Batt. Term. M8 x 1.25
- Motor Term. M8 x 1.25
- Switch Term. M5 x 0.8 Post (RH)
- Relay Term. M5 x 0.8 Post (LH)

Note: Used in 66-133 solenoid. Used w/ 66-1655 movable contact.



66-1223 Solenoid Cap Assy. 12 Volt, 3-Terminal

For: Delco PG260F1, PG260F2, PG260M Series PMGR Starters

Replaces: Delco 10475654

Unit Nos: Delco 9000786, 798, 804, 805, 806, 812, 819, 820, 827, 833, 834, 835, 836, 841, 847, 850, 851, 853, 854, 857, 858, 859, 860, 861, 862, 863, 864, 865, 866, 871, 872, 873, 874, 875, 876, 878, 879, 880, 881, 882, 896, 897, 904, 910, 926, 927, 931, 962, 964, 966; 24506694

Lester Nos: 6449, 6452, 6470, 6471, 6472, 6480, 6481, 6482, 6484, 6485, 6486, 6487, 6489, 6490, 6492, 6560, 6561

Dim:

- Batt. Term. M8 x 1.25
- Motor Term. M8 x 1.25
- Switch Term. M5 x 0.8 Post (RH)

Note: Used in 66-132 solenoid. Used w/ 66-1655 movable contact.



66-1226
Solenoid Cap Assy.
12 Volt, 3-Terminal

For: Delco PG200, PG250 Series PMGR; SD210, SD260 Series DD Starters

Dim:

Batt. Term. M8 x 1.25

Motor Term. M8 x 1.25

Switch Term. M5 x 0.8 Post

Note: Used in 66-121 solenoid.

For OE design cap assy. use 66-1212.

Components:

66-1420 Gasket

Features:

- Aftermarket design w/ solid motor terminal
- Easier solder connection - cap has a motor-terminal connecting strap with hollow rivet for easier solder connection rather than a hollow OE motor terminal



66-1302-1
Solenoid Cap
4-Terminal

For: Delco 5MT, 8MT, 10MT, 20MT, 25MT, 27MT, SD200, SD300 Series DD Starters

Replaces: Delco 1892223

Dim:

Batt. Term. Hole 3/8

Motor Term. Hole 3/8

Switch Term. Hole No. 8

Relay Term. Hole No. 8

Note: Used in 66-101 solenoid.

Included in 66-1216 cap assy.

Features:

- Brown hi-temp cap
- Made in USA



66-1303
Solenoid Cap
4-Terminal

For: Delco 37MT, 42MT Series DD Starters

Replaces: Delco 1988143, 10495123

Dim:

Batt. Term. Hole 1/2

Motor Term. Hole 1/2

Switch Term. Hole No. 10 (RH)

Grd. Term. Hole No. 10 (LH)

Note: Used in 66-105, 66-113, 66-114, 66-128, 66-135 solenoids



66-1308
Solenoid Cap
4-Terminal

For: Delco 5MT, 10MT, 27MT, SD200, SD250, SD300 Series DD; 15GR Series OSGR Starters

Replaces: Delco 1979516, 1984046

Dim:

Batt. Term. Hole 10mm

Motor Term. Hole 3/8

Switch Term. Hole 5mm

Relay Term. Hole 5mm

Note: Used in 66-100 solenoid.

Included in 66-1218 cap assy.

Features:

- Brown hi-temp cap
- Made in USA



66-1310
Solenoid Cap
3-Terminal

For: Delco 37MT, 41MT Series DD Starters

Replaces: Delco 10496938

Dim:

Batt. Term. Hole 1/2

Motor Term. Hole 1/2

Switch Term. Hole No. 10 (RH)

Note: Used in 66-117, 66-119, 66-123 solenoids



66-1312
Solenoid Cap
4-Terminal, Reversed Terminal

For: Delco 37MT, 42MT Series DD Starters

Replaces: Delco 1988932

Dim:

Batt. Term. Hole 1/2

Motor Term. Hole 1/2

Switch Term. Hole No. 10 (LH)

Grd. Term. Hole No. 10 (RH)

Note: Used in 66-115, 66-129, 66-138 solenoids

STARTER - SOLENOID PARTS (66-)

DELCO (cont'd.)



66-1315

Solenoid Cap

4-Terminal, Jump Start Protection

For: Delco 37MT, 42MT Series DD Starters

Replaces: Delco 10469597

Dim:

Batt. Term. Hole 1/2

Motor Term. Hole 1/2

Switch Term. Hole No. 10 (RH)

Grd. Term. Hole No. 10 (LH)

Note: Used in Delco 1115622, 1115623, 1115624, 1115625, 1115627, 1115628, 1115630, 1115631 solenoids.

Used w/ 76-1579 terminal post.

Features:

- Molded extension between battery & motor terminals for jump-start protection



66-1317

Solenoid Cap

3-Terminal

For: Delco SD205, SD255 Series DD Starters

Replaces: Delco 10487547

Dim:

Batt. Term. Hole 8mm

Motor Term. Hole 3/8

Switch Term. Hole 5mm

Note: Used in 66-143 solenoid



66-1318

Solenoid Cap

3-Terminal

For: Delco 15GR Series OSGR Starters; 27MT, SD200, SD250, SD300 Series DD Starters

Replaces: Delco 1979516

Dim:

Batt. Term. Hole 10mm

Motor Term. Hole 3/8

Switch Term. Hole 5mm (RH)

Note: Similar to 66-1308 except 66-1308 is 4-Terminal



66-1350

Terminal & Connector - Switch Term.

For: Delco 5MT, 8MT, 10MT, 20MT, 22MT, 25MT, 27MT, SD200, SD300 Series DD Starters

Dim: 8-32 x 7/8

Note: Used in 66-101 solenoid

Components:

66-1756 Connector

76-1559 Terminal Post



66-1400

Insulator - Batt., Motor Terms.

For: Delco 40MT, 50MT Series DD Starters

Replaces: Delco 1984705

Note: Used in 66-106, 66-107, 66-112, 66-124, 66-126 solenoids.

Included in 66-1202, 66-1203 terminal plate assys.



66-1401

Insulator - Terminal Plate

For: Delco 40MT, 50MT Series DD Starters

Replaces: Delco 1931673

Note: Used in 66-109, 66-110 solenoids.

Included in 66-1200, 66-1201 terminal plate assys.



66-1402

Seal - Batt., Motor Terms.

For: Delco 40MT, 50MT Series DD Starters

Replaces: Delco 1942969

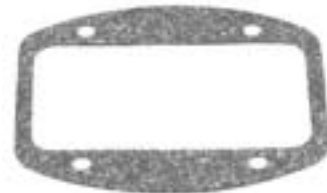
Dim: 1/2 ID x 3/4 OD x 1/16 T

Note: Used in 66-106, 66-107, 66-109, 66-110, 66-112, 66-124, 66-126 solenoids.

Included in 66-1200, 66-1201, 66-1202, 66-1203 terminal plate assys.

Features:

- Square-cut
- Silicone material



66-1403

Gasket - Terminal Plate

For: Delco 40MT, 50MT Series Starters

Replaces: Delco 1950111

Note: Used in 66-109, 66-110 solenoids.

Included in 66-1200, 66-1201 terminal plate assys.

STARTER - SOLENOID PARTS (66-)



66-1404

Gasket - Terminal Plate

For: Delco 40MT, 50MT Series DD Starters

Replaces: Delco 1979384, 10496037

Note: Used in 66-106, 66-107, 66-112, 66-124, 66-126 solenoids.

Included in 66-1202, 66-1203 terminal plate assys.

Features:

- Rubber



66-1405

Insulator - Terminal Plate

For: Delco 40MT, 50MT Series DD Starters

Replaces: Delco 1979368

Note: Used in 66-106, 66-107, 66-112, 66-124, 66-126 solenoids.

Included in 66-1202, 66-1203 terminal plate assys.



66-1406

Insulator - Terminal Plate

For: Delco 40MT, 50MT Series DD Starters

Replaces: Delco 1979369

Note: Used in 66-106, 66-107, 66-112, 66-124, 66-126 solenoids.

Included in 66-1202, 66-1203 terminal plate assys.



66-1407

Seal - Terminal Post

For: Delco 40MT, 50MT Series DD Starters

Dim: 3/16 ID x 3/8 OD x 3/32 T

Note: Used in 66-106, 66-107, 66-112, 66-124, 66-126 solenoids.

Included in 66-1202, 66-1203 terminal plate assys.



66-1408

Gasket - Solenoid Cap

For: Delco 5MT, 8MT, 10MT, 20MT, 22MT, 25MT, 27MT, SD200, SD250, SD300 Series DD; 15GR Series OSGR Starters

Replaces: Delco 830485

Note: Used in 66-100, 66-101 solenoids



66-1409

Seal - Batt., Motor Terms.

For: Delco 37MT, 41MT, 42MT Series DD Starters

Replaces: Delco 1985511

Dim: 1/2 ID x 3/4 OD x 1/8 T

Note: Used in 66-104, 66-105, 66-113, 66-114, 66-115, 66-116, 66-117, 66-118, 66-119, 66-123, 66-127, 66-128, 66-129, 66-130, 66-135, 66-138 solenoids

Features:

- Square-cut



66-1410

Seal - Grd., Switch Terms.

For: Delco 37MT, 41MT, 42MT Series DD Starters

Replaces: Delco 1950063

Dim: 3/16 ID x 3/8 OD x 1/8 T

Note: Used in 66-104, 66-105, 66-113, 66-114, 66-115, 66-116, 66-117, 66-118, 66-119, 66-123, 66-127, 66-128, 66-129, 66-130, 66-135, 66-138 solenoids



66-1411

Gasket - Solenoid Cap

For: Delco 37MT, 41MT, 42MT Series DD Starters

Replaces: Delco 1985281

Note: Used in 66-104, 66-105, 66-113, 66-114, 66-115, 66-116, 66-117, 66-118, 66-119, 66-123, 66-127, 66-128, 66-129, 66-130, 66-135, 66-138 solenoids



66-1414-1

Gasket - Solenoid Cap

For: Delco 5MT, 10MT, 27MT, SD200, SD205, SD250, SD255, SD300 Series DD; 15GR Series OSGR Starters

Replaces: Delco 1978318

Note: Used in 66-100 solenoid

Features:

- Rubber coated steel



66-1420

Gasket - Solenoid Cap

For: Delco PG200, PG250 Series PMGR; SD210, SD260 Series DD Starters

Note: Used in 66-121 solenoid



66-1422

Insulator - Coil Assy.

For: Delco 5MT, 8MT, 10MT, 20MT, 22MT, 25MT, 27MT, SD200, SD250, SD300 Series DD; 15GR Series OSGR Starters

Note: Used in 66-100, 66-101 solenoids



66-1551

Plunger Spring

For: Delco 5MT, 8MT, 10MT, 20MT, 22MT, 25MT, 27MT, SD200, SD205, SD250, SD255, SD300 Series DD; Ford OSGR Starters

Replaces: Ford E4FZ-11103-A, SZ-799

Note: Used w/ 66-100, 66-101 solenoids

STARTER - SOLENOID PARTS (66-)

DELCO (cont'd.)



66-1552

Return Spring - Movable Contact

For: Delco 37MT, 40MT, 41MT, 42MT, 50MT Series DD Starters

Replaces: Delco 1913042, 1945402, 1948661

Note: Used w/ 66-1700, 66-1701 movable contact assys.



66-1553

Plunger Spring

For: Delco 10MT, 22MT, 27MT, SD300 Series DD Starters

Replaces: Delco 1951792

Note: Used w/ 66-101 solenoid

Features:

- Long heavy duty type



66-1554

Plunger Spring

For: Delco PG100, PG150, PG200, PG250 Series PMGR; SD210, SD260 Series DD Starters

Replaces: Delco 1989232

Note: Used w/ 66-121 solenoid



66-1600

Plunger

For: Delco 5MT, 10MT, 27MT, SD200, SD205, SD250, SD255, SD300 Series DD; 15GR Series OSGR; Ford OSGR Starters\

(cont'd.)

(cont'd.)

Replaces: Delco 1978297, 10470764

Note: Used w/ 7-984, 66-100 solenoids

Features:

- Premium Quality

66-1600-1

Plunger

Same as 66-1600 except...

Features:

- Best Value



66-1601

Plunger

For: Delco 5MT, 8MT, 10MT, 20MT, 22MT, 25MT, 27MT, SD200, SD300 Series DD Starters

Replaces: Delco 1932200, 1953041, 10470783

Note: Used w/ 66-101 solenoid



66-1602

Plunger

For: Delco 30MT, 35MT Series External Rotatable DD Starters

Replaces: Delco 1851966

Note: Used in 66-1610 plunger assy.



66-1603

Plunger

For: Delco 30MT, 35MT Series Internal Rotatable DD Starters

Replaces: Delco 1942250

Note: Used in 66-1608 plunger assy.



66-1604

Plunger Assembly

For: Delco 40MT, 50MT Series DD Starters

Note: Used w/ 66-106, 66-107, 66-109, 66-110, 66-112, 66-124, 66-126 solenoids

Components:

66-1605 Plunger

71-1306 Boot

76-1301 Retainer (1-13/64 ID)

76-1302 Retainer (13/32 ID)

76-1701 Spring

84-4703 Washer

84-8901 Snap Ring



66-1605

Plunger

For: Delco 40MT, 50MT Series DD Starters

Replaces: Delco 1948522

Note: Used in 66-1604 plunger assy.

Features:

- Premium Quality

66-1605-1

Plunger

Same as 66-1605 except...

Features:

- Best Value



66-1606

Plunger

For: Delco 37MT, 41MT, 42MT Series DD Starters

Replaces: Delco 1988140

Note: Used in 66-1607 plunger assy.

STARTER - SOLENOID PARTS (66-)



66-1607

Plunger Assembly

For: Delco 37MT, 41MT, 42MT Series DD Starters

Replaces: Delco 1988139, 1988775

Note: Used w/ 66-104, 66-105, 66-113, 66-114, 66-115, 66-117, 66-118, 66-119, 66-123, 66-127, 66-128, 66-129, 66-130, 66-135, 66-138 solenoids

Components:

66-1606 Plunger
71-1313 Boot
76-1301 Retainer (1-13/64 ID)
76-1302 Retainer (13/32 ID)
76-1701 Spring
84-4703 Washer
84-8901 Snap Ring



66-1608

Plunger Assembly

For: Delco 30MT, 35MT Series Internal Rotatable DD Starters

Note: Used w/ 66-102, 66-103, 66-122 solenoids

Components:

66-1603 Plunger
71-1306 Boot
76-1301 Retainer (1-13/64 ID)
76-1302 Retainer (13/32 ID)
76-1701 Spring
84-4703 Washer
84-8901 Snap Ring



66-1609

Plunger

For: Delco PG100, PG150, PG200, PG250 Series PMGR; SD210, SD260 Series DD Starters

Replaces: Delco 10473793, 10495984

Note: Used w/ 66-121, 66-125 solenoids



66-1610

Plunger Assembly

For: Delco 30MT, 35MT Series External Rotatable DD Starters

Note: Used w/ 66-102, 66-103, 66-122 solenoids

Components:

66-1602 Plunger
71-1306 Boot
76-1301 Retainer (1-13/64 ID)
76-1302 Retainer (13/32 ID)
76-1701 Spring
84-4703 Washer
84-8901 Snap Ring



66-1655

Movable Contact

For: Delco PG260F1, PG260F2, PG260M Series PMGR Starters

Replaces: Delco 10475667

Note: Used in 66-132, 66-133 solenoids



66-1700

Movable Contact Assy.

For: Delco 40MT, 50MT Series DD Starters

Replaces: Delco 1954861, 1967335, 1977264

Note: Used in 66-106, 66-107, 66-109, 66-110, 66-112, 66-124, 66-126 solenoids

Features:

- Cadmium-plated contact



66-1701

Movable Contact Assy.

For: Delco 37MT, 41MT, 42MT Series DD Starters

Replaces: Delco 1985295

Note: Used in 66-104, 66-105, 66-113, 66-114, 66-115, 66-117, 66-118, 66-119, 66-123, 66-127, 66-128, 66-129, 66-130, 66-135, 66-138 solenoids

Features:

- Cadmium-plated contact

66-1701-1

Movable Contact Assy.

Same as 66-1701 except...

Features:

- Silver-plated contact



66-1702

Movable Contact Assy.

For: Delco 5MT, 10MT, 27MT, SD200, SD205, SD250, SD255, SD300 Series DD; 15GR Series OSGR Starters

Replaces: Delco 1978337

Note: Used in 66-100 solenoid

Features:

- Cadmium-plated contact



66-1703

Movable Contact Assy.

For: Delco 5MT, 8MT, 10MT, 20MT, 22MT, 25MT, 27MT, SD200, SD300 Series DD Starters

Replaces: Delco 1956226

Note: Used in 66-101 solenoid

Features:

- Cadmium-plated contact

STARTER - SOLENOID PARTS (66-)

DELCO (cont'd.)



66-1705

Movable Contact Assy.

For: Delco PG200, PG250 Series PMGR; SD210, SD260 Series DD Starters

Note: First production round design. Used in 66-121 solenoid.

Components:

66-1653 Movable Contact
66-1807 Insulator
66-1808 Retainer
66-2757 Insulator

Features:

- Cadmium-plated contact



66-1706

Movable Contact Assy.

For: Delco SD210, SD260 Series DD Starters

Note: Second production rectangular design. Used in 66-121, 66-125 solenoids.

Components:

66-1807 Insulator
66-1808 Retainer
66-2757 Insulator

Features:

- Cadmium-plated contact



66-1750

Terminal Extension - Motor

For: Delco 5MT, 8MT, 10MT, 20MT, 22MT, 25MT, 27MT, SD200, SD250, SD300 Series DD; 15GR Series OSGR Starters

Dim: 5/8 L

Note: Used w/ 66-100, 66-101 solenoids. Included in 79-1126 terminal extension kits.



66-1751

Clamp - Grd., Switch Terms.

For: Delco 40MT, 50MT Series DD Starters

Replaces: Delco 1878503, 1915718

Dim: No. 10 ID

Note: Used in 66-109, 66-110 solenoids



66-1753

Terminal Strap - Solenoid

For: Delco 40MT, 50MT Series DD Starters

Dim: No. 10 Square Hole

Note: Used in 66-106, 66-107, 66-112, 66-124, 66-126 solenoids, 66-1202, 66-1203 terminal plate assys.



66-1755

Contact Finger - Relay Term.

For: Delco 5MT, 8MT, 10MT, 20MT, 22MT, 25MT, 27MT, SD200, SD300 Series DD Starters

Replaces: Delco 1935645

Dim: No. 8 Square Hole

Note: Used in 66-101 solenoid, 66-1216 cap Assy.



66-1756

Connector - Switch Term.

For: Delco 5MT, 8MT, 10MT, 20MT, 22MT, 25MT, 27MT, SD200, SD300 Series DD Starters

Replaces: Delco 1949538

Dim: No. 8 Square Hole

Note: Used in 66-101 solenoid. For connector w/ terminal post use 66-1350.



66-1757

Nylon Bushing - Plunger Rod

For: Delco 40MT, 50MT Series DD Starters

Replaces: Delco 1894025, 1972716, 1979856

Note: Used in 66-106, 66-107, 66-109, 66-110, 66-112, 66-124, 66-126 solenoids



66-1758

Connector - Grd., Switch Terms.

For: Delco 5MT, 10MT, 27MT, 37MT, 41MT, 42MT, SD200, SD205, SD250, SD255, SD300 Series DD; 15GR Series OSGR Starters

Replaces: Delco 1984999

Dim: No. 10 (5mm) Square Hole

Note: Used in 66-100, 66-104, 66-105, 66-113, 66-114, 66-115, 66-116, 66-118, 66-119, 66-123, 66-127, 66-128, 66-129, 66-130, 66-135, 66-138 solenoids



66-1759

Connector - Motor Term.

For: Delco 37MT, 41MT, 42MT Series DD Starters

Replaces: Delco 1988148

Dim: 1/2 Square Hole

Note: Used in 66-105, 66-113, 66-114, 66-115, 66-118, 66-119, 66-123, 66-127, 66-128, 66-129, 66-130, 66-135, 66-138 solenoids



66-1760

Nylon Bushing - Plunger Rod

For: Delco 37MT, 41MT, 42MT Series DD Starters

Replaces: Delco 1985280

Note: Used in 66-104, 66-105, 66-113, 66-114, 66-115, 66-116, 66-117, 66-118, 66-119, 66-123, 66-127, 66-128, 66-129, 66-130, 66-135, 66-138 solenoids



66-1762

Connector - Motor Term.

For: Delco 5MT, 10MT, 27MT, 37MT, SD200, SD205, SD250, SD255, SD300 Series DD; 15GR Series OSGR Starters

Replaces: Delco 1974180

Dim: 3/8 Hole

Note: Used in 66-100, 66-104, 66-105, 66-116, 66-118, 66-130 solenoids



66-1766

Roll Pin - Movable Contact Assy.

For: Delco 37MT, 40MT, 41MT, 42MT, 50MT Series DD Starters

Replaces: Delco 456349

Note: Used in 66-1700, 66-1701 movable contact assys.



66-1767-1

Terminal Extension - Motor

For: Delco 5MT, 10MT, 27MT, SD200, SD250, SD300 Series DD; 15GR Series OSGR Starters

Dim: 1-1/4 L

Note: Used w/ 66-100 solenoid. Included in 79-1126 terminal extension kit.

Features:

- Best Value



66-1771

Stop Plate - Solenoid

For: Delco 40MT, 50MT Series DD Starters

Replaces: Delco 1979379

Note: Used in 66-106, 66-107, 66-112 solenoids



66-1780

Contact Finger - Relay Term.

For: Delco 5MT, 10MT, 27MT, SD200, SD250, SD300 Series DD; 15GR Series OSGR Starters

Dim: 5mm Square Hole

Note: Used in 66-100 solenoid



66-1781

Insulator - Movable Contact

For: Delco 5MT, 8MT, 10MT, 20MT, 22MT, 25MT, 27MT, SD200, SD205, SD250, SD255, SD300 Series DD; 15GR Series OSGR Starters; Series Parallel Switches

Replaces: Delco 1915669

Dim: 6.5mm ID x 17.5mm OD x 6.5mm T

Note: Used in 66-1702, 66-1703 movable contact assys.



66-1788

Connector Lead

For: Delco 5MT, 8MT, 10MT, 20MT, 22MT, 25MT, 27MT, SD200, SD300 Series DD Starters

Note: For repairing motor terminal connection.



66-1791

Connector - Motor Term.

For: Delco 5MT, 8MT, 10MT, 20MT, 22MT, 25MT, 27MT, SD200, SD300 Series DD Starters

Dim: 3/8 Hole

Note: Used in 66-101 solenoid



66-1807

Insulator - Movable Contact Assy.

For: Delco PG200, PG250 Series PMGR; SD210, SD260 Series DD Starters

Dim: 5mm ID x 13mm OD

Note: Used in 66-1705, 66-1706 movable contact assys.



66-1808

Retainer - Movable Contact Assy.

For: Delco PG200, PG250 PMGR; SD210, SD260 Series DD Starters

Note: Used in 66-1705, 66-1706 movable contact assys.



66-1811

Sleeve - Coil Assy.

For: Delco PG200, PG250 PMGR; SD210, SD260 Series DD Starters

Note: Used in 66-121 solenoid



66-1814

Terminal - Grd.

For: Delco 40MT, 50MT Series DD Starters

Note: Used in 66-109, 66-110 solenoids

STARTER - SOLENOID PARTS (66-)

DELCO (cont'd.)



66-1825

Insulator - Movable Contact Assy.

For: Delco PG260F1, PG260F2, PG260M Series PMGR Starters

Dim: 5.5mm ID x 14.2mm OD x 3.8mm T

Note: Used in 66-132, 66-133 solenoids



66-84202

Solenoid Repair Kit

12-24 Volt, 3-Terminal

For: Delco 28MT Series OSGR Starters
Used On: Allis-Chalmers, Clark, Consolidated Diesel, Cummins, Detroit Diesel, Deutz, Deutz-Allis, DMT Corp, Dresser Construction, Ford New Holland, Ford Truck, Freightliner, Hough International, Hyster, IHC, Jacobsen, Kobelco America, Lincoln Electric, Lister-Petter, Mack, Massey Ferguson, Melroe, Miller Electric, Oshkosh, Perkins, RVI, Teledyne Continental, Toro, Versatile, Waukesha, White

Unit Nos: Delco 1113273, 1113274, 1113275, 1113276, 1113277, 1113278, 1113279, 1113280, 1113281, 1113282, 1113284, 1113286, 1113287, 1113288, 1113289, 1113290, 1113291, 1113292, 1113297, 10479604, 10479605, 10479606, 10479612, 10479613, 10479615, 10479619; Nikko 0-23000-1030, 0-23000-1031, 0-23000-1050, 0-23000-1070, 0-23000-1071, 0-23000-1080, 0-23000-1310, 0-23000-1700, 0-23000-3000

Lester Nos: 6573, 6585

Dim:

Batt. Term. M10 x 1.50

Motor Term. M8 x 1.25

Switch Term. M5 x 0.8 Post (LH)

Note: Used in 66-8402, 66-8404, 66-8408 solenoids

(cont'd.)

(cont'd.)

Components:

66-84400 Insulator
 66-84650 Movable Contact
 66-84750 Retainer
 66-84751 Retaining Ring
 85-2300 Hex Nut
 85-2500 Hex Nut
 85-4500 Lock Washer

Features:

- OE-style movable contact w/ raised contact points
- Silver-tungsten alloy stationary contacts
- Stationary contacts molded into cap like OE



66-84203

Solenoid Repair Kit

12 Volt, 3-Terminal

For: Delco 28MT Series OSGR Starters
Used On: (2002-89) Chevrolet, GMC
Unit Nos: Delco 1113269, 1113270, 1113295, 1113296

Lester Nos: 6468, 6469

Dim:

Batt. Term. M10 x 1.5

Motor Term. M8 x 1.25

Switch Term. M4 x 0.7 Post (LH)

Note: Used in 7-1034, 66-8405 solenoids

Components:

66-84201 Cap Assy.
 66-84400 Insulator
 66-84650 Movable Contact
 66-84750 Retainer
 66-84751 Retaining Ring
 85-2200 Hex Nut
 85-2500 Hex Nut
 85-4500 Lock Washer

Features:

- OE-style movable contact w/ raised contact points
- Silver-tungsten alloy stationary contacts
- Stationary contacts molded into cap like OE



66-84204

Solenoid Repair Kit

12-24 Volt, 4-Terminal

For: Delco 28MT Series OSGR Starters
Used On: Bluebird, Bobcat, Champion Motor Coach, Clark, Ford Truck, John Deere, Lister-Petter, Perkins

Unit Nos: Delco 1113271, 1113272, 1113283, 1113285, 10479600, 10479606, 10479607, 10479608, 10479613, 10479614, 10479615, 10479616, 10479617, 10479618, 10479620, 10479628, 10479629, 10479630; Leece-Neville 4503ME

Lester Nos: 6577, 6585, 6595, 6601

Dim:

Batt. Term. M10 x 1.5

Motor Term. M8 x 1.25

Switch Term. M5 x 0.8 Post (LH)

Relay Term. M5 x 0.8 Post (RH)

Note: Used in 66-8406, 66-8407 solenoids

Components:

66-84400 Insulator
 66-84650 Movable Contact
 66-84750 Retainer
 66-84751 Retaining Ring
 85-2500 Hex Nut
 85-4500 Lock Washer

Features:

- Cap w/ molded extension between battery & motor terminals for jump-start protection
- Silver-tungsten alloy stationary contacts
- OE-style movable contact w/ raised contact points
- Stationary contacts molded into cap like OE

STARTER - SOLENOID PARTS (66-)



66-84400

Insulator - Movable Contact

For: Delco 28MT Series OSGR Starters



66-84401

Insulating Washer - Movable Contact

For: Delco 28MT Series OSGR Starters

Dim: 6mm ID x 14mm OD x 1.5mm T



66-84650

Movable Contact

For: Delco 28MT Series OSGR Starters

Features:

- OE-style movable contact w/ raised contact points



66-84750

Retainer - Movable Contact

For: Delco 28MT Series OSGR Starters



66-84751

Retaining Ring - Movable Contact

For: Delco 28MT Series OSGR Starters

Features:

- One-piece design



71-1107

Gasket - Solenoid

For: Delco 5MT, 10MT, 20MT, 22MT, 25MT, 27MT, SD200, SD300 Series DD Starters

Replaces: Delco 1952427

Note: Used w/ 66-100, 66-101 solenoids



71-1306

Boot - Solenoid Plunger

For: Delco 30MT, 35MT, 40MT, 50MT Series DD Starters

Replaces: Delco 801077

Note: Used in 66-1604, 66-1608, 66-1610 plunger assys.



71-1313

Boot - Solenoid Plunger

For: Delco 37MT, 41MT, 42MT Series DD Starters

Replaces: Delco 1985243

Note: Used in 66-1607 plunger assy.



71-1316

Boot - Solenoid Plunger

For: Delco 10MT, 20MT, 22MT, 25MT, 27MT, SD300 Series, Wet Clutch DD Starters

Replaces: Delco 1970263, 1987373



71-1340

Boot - Solenoid Plunger

For: Delco PG150S Series PMGR Starters

Used On: (1995-94) Saturn

Unit Nos: Delco 10465298, 21020761

Lester Nos: 6445

Note: Used in 66-134 solenoid.



71-84103

Boot - Solenoid Plunger

For: Delco 28MT Series OSGR Starters

Note: Used in 66-8404, 66-8405, 66-8406, 66-8407, 66-8408 solenoids

STARTER - SOLENOID PARTS (66-)

DELCO (cont'd.)



72-1401

Insulator - Terminal Stud

For: Delco 40MT, 50MT Series DD Starters

Replaces: Delco 1944836; 1851632 (set#)

Dim: 12.5mm (1/2") ID

Note: Used in 66-1200, 66-1201 terminal plate assys.



76-1301

Retainer - Plunger Spring

For: Delco 30MT, 35MT, 37MT, 40MT, 41MT, 42MT, 50MT Series DD Starters

Replaces: Delco 1948520

Note: Used in 66-1604, 66-1607, 66-1608, 66-1610 plunger assys.



76-1302

Retainer - Plunger Spring

For: Delco 30MT, 35MT, 37MT, 40MT, 41MT, 42MT, 50MT Series DD Starters

Replaces: Delco 1948526

Note: Used in 66-1604, 66-1607, 66-1608, 66-1610 plunger assys.



76-1552

Stationary Contact - Motor Copper Contact

For: Delco 40MT, 50MT Series DD Starters

Replaces: Delco 1946003

Dim: 1/2-13 x 2 L

Note: Used in 66-106, 66-110, 66-112 Solenoids, 66-1200, 66-1202 terminal plate assys.

For silver stationary contact use 76-1553.



76-1553

Stationary Contact - Motor Silver Contact

For: Delco 40MT, 50MT Series DD Starters

Replaces: Delco 1906049

Dim: 1/2-13 x 2 L

Note: Used in 66-107, 66-109, 66-124, 66-126 solenoids, 66-1201, 66-1203 terminal plate assys.

For copper stationary contact use 76-1552.



76-1554

Stationary Contact - Battery Copper Contact

For: Delco 40MT, 50MT Series DD Starters

Replaces: Delco 1958219

Dim: 1/2-13 x 2-3/8 L

Note: Used in 66-106, 66-110, 66-112 solenoids, 66-1200, 66-1202 terminal plate assys.

For silver stationary contact use 76-1555.



76-1555

Stationary Contact - Battery Silver Contact

For: Delco 40MT, 50MT Series DD Starters

Replaces: Delco 1953244

Dim: 1/2-13 x 2-3/8 L

Note: Used in 66-107, 66-109, 66-124, 66-126 solenoids, 66-1201, 66-1203 terminal plate assys.

For copper stationary contact use 76-1554.



76-1556

Terminal Post - Grd., Switch

For: Delco 40MT, 50MT Series DD Starters

Dim: 10-32 x 1 L

Note: Used in 66-106, 66-107, 66-112, 66-124, 66-126 solenoids, 66-1202, 66-1203 terminal plate assys.



76-1559

Terminal Post - Relay, Switch

For: Delco 5MT, 8MT, 10MT, 20MT, 22MT, 25MT, 27MT, SD200, SD300 Series DD Starters

Replaces: Delco 1950069

Dim: 8-32 x 7/8 L

Note: Used in 66-101 solenoid, 66-1216 cap assy.



76-1560

Stationary Contact - Battery Copper Contact

For: Delco 5MT, 8MT, 10MT, 20MT, 22MT, 25MT, 27MT, SD200, SD250, SD300 Series DD; 15GR Series OSGR Starters

Replaces: Delco 1927344

Dim: 3/8-16 x 1-3/16 L

Note: Used in 66-101 solenoid, 66-1216 cap assy.



76-1563

Stationary Contact - Motor Copper Contact

For: Delco 5MT, 8MT, 10MT, 20MT, 22MT, 25MT, 27MT, SD200, SD250, SD300 Series DD; 15GR Series OSGR Starters

Dim: 3/8-16 x 5/8 L, w/ 10-32 Int. Thd.

Note: Used in 66-100, 66-101 solenoids

STARTER - SOLENOID PARTS (66-)



76-1564

Stationary Contact - Battery Copper Contact

For: Delco 37MT, 41MT, 42MT Series DD Starters
Replaces: Delco 1985509
Dim: 1/2-13 x 2-1/8 L
Note: Used in 66-113, 66-115, 66-116, 66-117, 66-118, 66-127, 66-138 solenoids.
 For silver stationary contact use 76-1566.



76-1565

Stationary Contact - Motor Copper Contact

For: Delco 37MT, 41MT, 42MT Series DD Starters
Replaces: Delco 1988147
Dim: 1/2-13 x 1-3/4 L
Note: Used in 66-113, 66-115, 66-128 solenoids.
 For silver stationary contact use 76-1567.



76-1566

Stationary Contact - Battery Silver Contact

For: Delco 37MT, 41MT, 42MT Series DD Starters
Replaces: Delco 1988520
Dim: 1/2-13 x 2-1/8 L
Note: Used in 66-105, 66-114, 66-123, 66-128, 66-129, 66-130 solenoids.
 For copper stationary contact use 76-1564.



76-1567

Stationary Contact - Motor Silver Contact

For: Delco 37MT, 41MT, 42MT Series DD Starters
Replaces: Delco 1988489
Dim: 1/2-13 x 1-3/4 L
Note: Used in 66-105, 66-114, 66-128, 66-129 solenoids.
 For copper stationary contact use 76-1565.



76-1568

Stationary Contact - Battery, Motor Copper Contact

For: Delco 37MT Series DD Starters
Replaces: Delco 1985291, 1985294, 1989757
Dim: 3/8-16 x 1-3/4 L
Note: Used in 66-104, 66-116, 66-130 solenoids



76-1569

Terminal Post - Grd., Relay, Switch

For: Delco 5MT, 10MT, 27MT, 37MT, 41MT, 42MT, SD200, SD250, SD300 Series DD; 15GR Series OSGR Starters
Replaces: Delco 1960248
Dim: 10-32 x 3/4 L
Note: Used in 66-100, 66-104, 66-105, 66-113, 66-114, 66-115, 66-116, 66-118, 66-119, 66-123, 66-127, 66-128, 66-129, 66-130, 66-135, 66-138 solenoids



76-1575

Stationary Contact - Battery Copper Contact

For: Delco 37MT Series DD Starters
Replaces: Delco 10498120
Dim: 3/8-16 x 1-3/4 L, 1/2 Dia. Shoulder
Note: Used in 66-119 solenoid



76-1576

Stationary Contact - Motor Copper Contact

For: Delco 37MT, 41MT Series DD Starters
Replaces: Delco 10497769
Dim: 1/2-13 x 1-1/8 L, w/ 1/4-20 Int. Thd.
Note: Used in 66-118, 66-119, 66-127, 66-135, 66-138 solenoids.
 For silver stationary contact use 76-1585.



76-1577

Stationary Contact - Battery Copper Contact

For: Delco 5MT, 10MT, 27MT, SD200, SD250, SD300 Series DD; 15GR Series OSGR Starters
Dim: M10 x 1.5 x 30mm L
Note: Used in 66-100 solenoid

STARTER - SOLENOID PARTS (66-)

DELCO (cont'd.)



76-1578

Terminal Post - Relay, Switch

For: Delco 5MT, 10MT, SD200, SD205, SD250, SD255, SD300 Series DD; 15GR Series OSGR Starters

Dim: M5 x 0.8 x 21mm L

Note: Used in 66-100 solenoid



76-1579

Terminal Post - Grd., Dummy Term.

For: Delco 37MT, 41MT, 42MT Series DD Starters

Replaces: Delco 10469598

Dim: 10-32 x 1-1/4 L

Note: Used w/ 66-1315 solenoid cap w/ jump start protection



76-1585

Stationary Contact - Motor Silver Contact

For: Delco 37MT, 41MT Series DD Starters

Replaces: Delco 10469003

Dim: 1/2-13 x 1-1/8 L, 1/4-20 Int. Thd.

Note: Used in 66-123 solenoid. For copper stationary contact use 76-1576.



76-1586

Stationary Contact - Battery Copper Contact

For: Delco PG200, PG250 Series PMGR; SD210, SD260 Series DD Starters

Dim: M8 x 1.25 x 33mm L

Note: Used in 66-121 solenoid



76-1587

Stationary Contact - Motor Copper Contact

For: Delco PG200, PG250 Series PMGR; SD210, SD260 Series DD Starters

Dim: M8 x 1.25 x 31.5mm L

Note: Used in 66-121 solenoid

Features:

- With hole at top of contact post for ease of installation



76-1589

Stationary Contact - Battery Copper Contact

For: Delco SD205, SD255 Series DD Starters

Dim: M8 x 1.25 x 30mm L

Note: Used in 66-143 solenoid



76-1591

Stationary Contact - Battery, Motor

For: Delco PG260F1, PG260F2, PG260M Series PMGR Starters

Dim: M8 x 1.25 x 24.5mm L

Note: Used in 66-132, 66-133 solenoids



76-1701

Plunger Spring

For: Delco 30MT, 35MT, 37MT, 40MT, 41MT, 42MT, 50MT Series DD Starters

Replaces: Delco 1948521

Note: Used in 66-1604, 66-1607, 66-1608, 66-1610 plunger assys.



79-1159

Hardware Kit

For: Delco PG260F1, PG260F2, PG260M Series PMGR Starters

Note: Dress hardware used on solenoid terminals

Components:

- 85-2304 Nut
- 85-2400 Nut
- 84-4309 Lock Washer
- 84-4402 Lock Washer



66-1787

Insulating Washer

For: Delco 5MT, 8MT, 10MT, 20MT, 22MT, 25MT, 27MT, SD200, SD300 Series DD Starters

Dim: #3 ID x 3/8 OD x .032 T

Note: For repairing motor terminal connection in 66-101 solenoid.

Features:

- Phenolic



66-2757

Insulator - Movable Contact

For: Delco PG200, PG250 Series PMGR; SD210, SD260 Series DD Starters; Ford PMGR Starters

Dim: 5mm ID x 11mm OD x 1mm T

Note: Used in 66-121, 66-205 solenoids.

Used in 66-1705, 66-1706 movable contact assys.

Features:

- Phenolic

FORD



66-2201
Solenoid Cap Assy.
12 Volt, 3-Terminal

For: Ford PMGR Starters

Lester Nos: 3204, 3205, 3213, 3214, 3217, 3221, 3223, 3224, 3225, 3226, 3230, 3231, 3232, 3234, 3235, 3242, 3266, 3269, 3271

Dim:

Batt. Term. M8 x 1.25

Motor Term. M8 x 1.25

Switch Term. Male Spade (LH)

Note: Used in 66-205 solenoid

Components:

76-2562 Stationary Contact, Battery

76-2562 Stationary Contact, Motor

Features:

- Suppression diode

66-2201-2
Solenoid Cap Assy.
12 Volt, 3-Terminal

Same as 66-2201 except...

Features:

- Bulk packaged, 50/case



66-2202
Solenoid Repair Kit
12 Volt

For: Ford PMGR Starters

Note: For repairing 66-205 solenoid

Components:

66-2201 Cap Assy.

66-2401 Gasket, Cap

66-2550 Spring, Contact Return

66-2551 Spring, Contact Cushion

66-2755 Movable Contact

66-2757 Insulator, Movable Contact

(Bottom)

84-4102 Washer

84-4402 Lock Washer

85-2401 Hex Nut



66-2203
Solenoid Cap Assy.
12 Volt, 3-Terminal

For: Ford PMGR Starters

Dim:

Batt. Term. M8 x 1.25

Motor Term. M8 x 1.25

Switch Term. M6 x 1.0 Post (RH)

Note: Used in 66-207 solenoid

Components:

76-2562 Stationary Contact, Battery

76-2562 Stationary Contact, Motor



66-2204
Solenoid Cap Assy.
12 Volt, 3-Terminal

For: Ford PMGR Starters

Lester Nos: 3238, 3239, 3241, 3246, 3247, 3267, 3268, 3274, 6640, 6645

Dim:

Batt. Term. M8 x 1.25

Motor Term. M8 x 1.25

Switch Term. M6 x 1.0 Post (LH)

Note: Used in 66-208 solenoid

Components:

76-2562 Stationary Contact, Battery

76-2562 Stationary Contact, Motor

66-2204-2
Solenoid Cap Assy.
12 Volt, 3-Terminal

Same as 66-2204 except...

Features:

- Bulk packaged, 50/case



66-2401
Gasket - Solenoid Cap

For: Ford PMGR Starters

Note: Used in 66-205, 66-207, 66-208 solenoids



66-2402
Gasket - Solenoid Mounting

For: Ford PMGR Starters

Note: Used w/ 66-205, 66-207, 66-208 solenoids between solenoid and D.E. housing

Features:

- Adhesive backing for ease of installation



66-2550
Return Spring - Movable Contact

For: Ford PMGR Starters

Note: Used in 66-205, 66-207 solenoids



66-2551
Cushion Spring - Movable Contact

For: Ford PMGR Starters

Note: Used in 66-205, 66-207 solenoids



66-2755
Movable Contact

For: Ford PMGR Starters

Note: Used in 66-205, 66-207 solenoids

STARTER - SOLENOID PARTS (66-)

FORD (cont'd.)



76-2562

Stationary Contact - Battery, Motor Copper Contact

For: Ford PMGR Starters
Dim: M8 x 1.25 x 22mm L
Note: Used in 66-205, 66-207 solenoids, 66-2201, 66-2203 cap assys.



76-7553

Terminal

For: Ford PMGR Starters
Note: 90° male spade w/ hole to fit 6mm post. Converts the late style solenoid with M6 x 1.0 S-terminal post to also replace the early solenoids w/ spade terminal.
Included in 79-2503 Solenoid Switch Terminal Kit.



79-2503

Terminal Kit - Switch Terminal

For: Ford PMGR Starters
Note: Kit consists of terminals to offer the installer the option of re-terminating the wire lead to use post type solenoid, or to retrofit post type solenoid to work with spade type termination on wire lead
Components:
76-7553 Terminal

Features:

- Heat shrink tubing for a weather-tight seal
- Easy-to-follow instruction sheet provided



66-2757

Insulator - Movable Contact

For: Delco PG200, PG250 Series PMGR; SD210, SD260 Series DD Starters; Ford PMGR Starters
Dim: 5mm ID x 11mm OD x 1mm T
Note: Used in 66-121, 66-205 solenoids.
Used in 66-1705, 66-1706 movable contact assys.
Features:
• Phenolic

HITACHI



7-1158

(Ref# 66-81212)

Solenoid Cap Assy. 12 Volt, 3-Terminal

For: Hitachi 1.4kW OSGR Starters
Used On: (1994-89) Nissan
Unit Nos: Hitachi S114-461, A, B
Lester Nos: 17145
Dim:
Batt. Term. M8 x 1.25
Motor Term. M8 x 1.25
Switch Term. Male Spade w/ Lead
Note: Used in 7-670 (66-8152) Solenoid.
Features:
• Accurate



66-81200

Solenoid Cap Assy. 12 Volt, 3-Terminal

For: Hitachi DD Starters
Used On: (1982-74) Nissan; John Deere, Yanmar
(cont'd.)

(cont'd.)

Unit Nos: Hitachi S12-62, S13-32; S108-76, A; S114-160, D, E, F; S114-161, E, F; S114-162A, D; S114-163, E; S114-164; S114-235, A
Lester Nos: 16207, 16211, 16579
WAI Ref. Nos: 2-1081-HI, 2-1083-HI, 2-1724-HI

Dim:

Batt. Term. M8 x 1.25
Motor Term. M8 x 1.25
Switch Term. Male Spade

Note: Used in 66-8105, 66-8114, 66-8149 solenoids.
Contact surface is 5.5mm from bottom of cap.
Similar to 66-81207 except 66-81207 w/ contact surface 6.7mm from bottom of cap.
Used w/ 66-81700 movable contact assy.

Components:

66-81350 Stationary Contact, Battery
66-81350 Stationary Contact, Motor



66-81203

Solenoid Cap Assy. 12 Volt, 3-Terminal

For: Hitachi DD, OSGR Starters
Used On: (1987-76) Isuzu, Opel; Komatsu, Nissan Lift Truck, Teledyne Continental, Thermo King
Unit Nos: Hitachi S13-71, S13-75, S13-82A, S13-84, S114-184; S114-202, A; S114-247, A, C; S114-271; S114-429, A; Thermo King 45-1229, 45-1285
Lester Nos: 16270, 16499, 16877, 17088
WAI Ref. Nos: 2-1006-HI, 2-1192-HI, 2-1437-HI, 2-1734-HI, 2-1736-HI

Dim:

Batt. Term. M8 x 1.25
Motor Term. M8 x 1.25
Switch Term. M4 x 0.7 Hole

Note: Used in 66-8111, 66-8128 solenoids.
Used w/ 66-81700 movable contact assy.

Components:

66-81350 Stationary Contact, Battery
66-81350 Stationary Contact, Motor



66-81204
Solenoid Cap Assy.
12 Volt, 3-Terminal

For: Hitachi DD, OSGR Starters
Used On: (1988-82) Nissan; Bobcat
Unit Nos: Hitachi S114-315, S114-316; S114-317A, B; S114-318, A; S114-319; S114-345, A; S114-377, S114-378, S114-424
Lester Nos: 16732, 16774, 16775, 16918, 16991, 17057
WAI Ref. Nos: 2-1092-HI, 2-1093-HI, 2-1094-HI, 2-1096-HI, 2-1097-HI, 2-1098-HI, 2-1211-HI
Dim:
 Batt. Term. M8 x 1.25
 Motor Term. M8 x 1.25
 Switch Term. Male Spade
Note: Used in 66-8109 solenoid. Contact surface is 6.7mm from bottom of cap.
 Similar to 66-81205 except 66-81205 w/ contact surface 5.5mm from bottom of cap.
 Used w/ 66-81701 movable contact assy.
Components:
 66-81350 Stationary Contact, Battery
 66-81350 Stationary Contact, Motor

66-81204-2
Solenoid Cap Assy.
12 Volt, 3-Terminal

Same as 66-81204 except...
Features:
 • Bulk packaged, 25/case



66-81205
Solenoid Cap Assy.
12 Volt, 3-Terminal

For: Hitachi DD, OSGR Starters
Used On: (1989-81) Nissan; John Deere, Hitachi, Iseki
Unit Nos: Hitachi S114-295, S114-352, S114-370, S114-374B, S114-403B, S114-427
Lester Nos: 16773, 16811, 16813
WAI Ref. Nos: 2-1085-HI, 2-1100-HI
Dim:
 Batt. Term. M8 x 1.25
 Motor Term. M8 x 1.25
 Switch Term. Male Spade
Note: Used in 66-8100, 66-8113 solenoids. Contact surface is 5.5mm from bottom of cap.
 Similar to 66-81204 except 66-81204 w/ contact surface 6.7mm from bottom of cap.
 Used w/ 66-81700 movable contact assy.
Components:
 66-81350 Stationary Contact, Battery
 66-81350 Stationary Contact, Motor



66-81207
Solenoid Cap Assy.
12 Volt, 3-Terminal

For: Hitachi DD Starters
Used On: (1982-81) Nissan; (1994-87) Subaru
Unit Nos: Hitachi S114-348, S114-419, A; S114-556A
Lester Nos: 16805, 17057
WAI Ref. Nos: 2-1086-HI, 2-1211-HI
Dim:
 Batt. Term. M8 x 1.25 x 16mm
 Motor Term. M8 x 1.25
 Switch Term. Male Spade
 (cont'd.)

(cont'd.)

Note: Used in 66-8120 solenoid. Contact surface is 6.7mm from bottom of cap.
 Similar to 66-81200 except 66-81200 w/ contact surface 5.5mm from bottom of cap.
 Used w/ 66-81701 movable contact assy.

Components:
 66-81350 Stationary Contact, Battery
 66-81350 Stationary Contact, Motor

66-81207-2
Solenoid Cap Assy.
12 Volt, 3-Terminal

Same as 66-81207 except...
Features:
 • Bulk packaged, 50/case



66-81208
Solenoid Cap Assy.
12 Volt, 3-Terminal

For: Hitachi PMGR Starters
Used On: (1999-90) Nissan
Unit Nos: Hitachi S114-528, S114-528A; S114-701A, C; S114-806A
Lester Nos: 17196, 17246
WAI Ref. Nos: 2-1123-HI, 2-1128-HI
Dim:
 Batt. Term. M8 x 1.25
 Motor Term. M8 x 1.25
 Switch Term. Male Spade w/ Lead
Note: Used in 66-8135, 66-8138 solenoids. Similar to 66-81211 except 66-81211 has 76-89600 switch term. lead. Used w/ 66-81701 movable contact assy.
Components:
 66-81213 Cap Assy.
 66-81350 Stationary Contact, Battery
 66-81350 Stationary Contact, Motor
 76-89606 Switch Term. Lead

STARTER - SOLENOID PARTS (66-)

HITACHI (cont'd.)



66-81209

**Solenoid Cap Assy.
12 Volt, 3-Terminal**

For: Hitachi DD, PMGR, OSGR Starters
Used On: (1999-89) Mercury, Nissan
Unit Nos: Hitachi S114-475A, S114-519A, S114-520B, S114-534, S114-617A, S114-630, S114-757, S114-766A, S114-767, S114-800B, S114-802A
Lester Nos: 17146, 17147, 17161, 17178, 17476, 17479
WAI Ref. Nos: 2-1115-HI, 2-1117-HI, 2-1118-HI, 2-1119-HI, 2-1441-HI
Dim:
 Batt. Term. M8 x 1.25
 Motor Term. M8 x 1.25
 Switch Term. Male Spade w/ Lead
Note: Used in 66-8136, 66-8143, 66-8146 solenoids.
 Used w/ 66-81700 or 66-81701 movable contact assys.
Components:
 66-81350 Stationary Contact, Battery
 66-81350 Stationary Contact, Motor
 76-89606 Switch Term. Lead



66-81210

**Solenoid Cap Assy.
12 Volt, 4-Terminal**

For: Hitachi PMGR Starters
Used On: (1989-86) Nissan
Unit Nos: Hitachi S114-503A; S114-516, A
Lester Nos: 16817
WAI Ref. Nos: 2-1107-HI, 2-1446-HI
Dim:
 Batt. Term. M8 x 1.25
 Motor Term. M8 x 1.25
 Switch Term. Male Spade w/ Lead
 Relay Term. Male Spade w/ Lead
Note: 450 ohm resistor in relay terminal lead.
 Used in 66-8137 solenoid.
 Used w/ 66-81701 movable contact assy.
 (cont'd.)

(cont'd.)

Components:

66-81350 Stationary Contact, Battery
 66-81350 Stationary Contact, Motor
 76-89609 Switch & Relay Term. Lead



66-81211

**Solenoid Cap Assy.
12 Volt, 3-Terminal**

For: Hitachi DD, PMGR Starters
Used On: (1995-87) Nissan
Unit Nos: Hitachi S114-306; S114-527, A, B; S114-605; S114-607, C
Lester Nos: 16992, 17454
WAI Ref. Nos: 2-1113-HI, 2-1122-HI
Dim:
 Batt. Term. M8 x 1.25
 Motor Term. M8 x 1.25
 Switch Term. Male Spade w/ Lead
Note: Used in 66-8123 solenoid.
 Similar to 66-81208 except 66-81208 has 76-89606 switch term. lead.
 Used w/ 66-81701 movable contact assy.
Components:
 66-81213 Cap Assy.
 66-81350 Stationary Contact, Battery
 66-81350 Stationary Contact, Motor
 76-89600 Switch Term. Lead



66-81214

**Solenoid Cap Assy.
12 Volt, 3-Terminal**

For: Hitachi OSGR Starters
Used On: (1988-85) Nissan
Unit Nos: Hitachi S114-430A, B; S114-439, A
Lester Nos: 16806, 16807
WAI Ref. Nos: 2-1101-HI, 2-1102-HI
Dim:
 Batt. Term. M8 x 1.25
 Motor Term. M8 x 1.25
 Switch Term. Male Spade w/ Lead
Note: Used in 66-8121 solenoid.
 Used w/ 66-81700 contact assy.
Components:
 76-89600 Switch Term. Lead



66-81215

**Solenoid Cap Assy.
12 Volt, 3-Terminal**

For: Hitachi PMGR Starters
Used On: (1997-93) Nissan
Unit Nos: Hitachi S114-754A
Lester Nos: 17477
WAI Ref. Nos: 2-1611-HI
Dim:
 Batt. Term. M8 x 1.25
 Motor Term. M8 x 1.25
 Switch Term. Male Spade w/ 112mm L Lead



66-81350

**Stationary Contact - Battery, Motor
Copper Contact**

For: Hitachi DD, OSGR, PMGR Starters
Dim: M8 x 1.25 x 26.5mm L
Note: Used in 66-81200, 66-81203, 66-81204, 66-81205, 66-81207, 66-81208, 66-81209, 66-81210, 66-81211, 66-81213 cap assys.



66-81700

Movable Contact Assy.

For: Hitachi DD, OSGR Starters
Note: Used in 66-8100, 66-8105, 66-8107, 66-8110, 66-8111, 66-8113, 66-8114, 66-8118, 66-8121, 66-8128, 66-8143, 66-8145, 66-8149 solenoids



66-81701

Movable Contact Assy.

For: Hitachi DD, OSGR, PMGR Starters
Note: Used in 66-8109, 66-8120, 66-8123, 66-8135, 66-8136, 66-8137, 66-8138, 66-8146 solenoids



76-89600

Switch Term. Lead - Solenoid

For: Hitachi DD, OSGR, PMGR; Mitsubishi PMGR Starters
Used On: (1995-87) Nissan
Unit Nos: Hitachi S114-306, S114-457, S114-458; S114-527, A, B; S114-605; S114-607, C; Mitsubishi M1T60281, M1T71581, M1T71681
Lester Nos: 16874, 16992, 17104, 17425, 17454
WAI Ref. Nos: 2-1109-HI, 2-1111-MI, 2-1113-HI, 2-1121-MI, 2-1122-HI
Note: Repairs switch terminal lead for 66-8121, 66-8123, 66-8145, 66-8328, 66-8347 solenoids.
 Used w/ 66-81211, 66-81214, 66-83211 cap assys.



76-89603

Switch Term. Adapter Plug - Solenoid

For: Hitachi, Mitsubishi Starters
Note: For converting Early Nissan Solenoid to Late Solenoid w/ Oval Switch Terminal Plug.
 Similar to 76-89600 except 76-89603 has shorter lead and female spade connector



76-89606

Switch Term. Lead - Solenoid

For: Delco PG260D; Hitachi DD, PMGR, OSGR; Mitsubishi PMGR Starters
Used On: (2005-89) Infiniti, Mercury, Nissan
Unit Nos: Delco 9000908; Hitachi S114-461, A, B; S114-475A, S114-519A, S114-520B; S114-528, A; S114-534, S114-617A, S114-630; S114-701A, C; S114-757, S114-766A; S114-767, A; S114-800B; S114-802A, B; S114-806A, S114-900; Mitsubishi MOT60081, M1T72281, M1T72985, M1T74781, M2T53882
Lester Nos: 17145, 17146, 17147, 17161, 17178, 17180, 17196, 17246, 17476, 17479, 17685, 17745
Note: Repairs switch terminal lead for 7-670 (66-8152), 7-676 (66-8146), 7-680 (66-8138), 7-681 (66-8135), 7-685 (66-8143), 7-687 (66-8136), 7-710 (66-8346) solenoids.
 Used w/ 66-81208, 66-81209, 66-83209 cap assys.
Features:

- Premium Quality

76-89606-1

Switch Term. Lead - Solenoid

Same as 76-89606 except...
Features:

- Best Value



76-89609

Switch Term. Lead - Solenoid

For: Hitachi PMGR Starters
Used On: (1987-86) Nissan
Unit Nos: Hitachi S114-503A
Lester Nos: 16817
WAI Ref. Nos: 2-1107-HI
Note: With 450 ohm resistor (relay). Repairs switch & relay terminal lead for 66-8137 solenoid.
 Used w/ 66-81210 cap assy.

LEECE-NEVILLE



66-5200

Solenoid Cap Repair Kit 12-32 Volt

For: Leece-Neville MA, MC, ME, MX 'Thick Frame' Starters
Replaces: Leece-Neville 98004
Note: Used in 66-500 solenoid



71-5300

Boot - Solenoid Plunger

For: Leece-Neville MA, MC, ME, MX 'Thick Frame' Starters
Replaces: Leece-Neville 95146, 225313
Note: Used w/ 66-500 solenoid

LUCAS



7-1185

(Ref# 66-92201)

Solenoid Cap Assy. 12 Volt, 4-Terminal

For: Lucas M50 Series DD Starters
Used On: Massey Ferguson
Replaces: Lucas 54644527, 54644529
Unit Nos: Lucas 26404, 26435
Dim:
 Batt. Term. M8 x 1.25
 Motor Term. M6 x 1.0
 Switch Term. M5 x 0.8 Hole
 Shunt Coil Term. M6 x 1.0 Post
Note: Used in 7-753 (66-9209) solenoid.
 Includes movable contact assy., o-ring.
Features:

- Accurate

STARTER - SOLENOID PARTS (66-)

LUCAS (cont'd.)



7-1186

(Ref# 66-92202)

**Solenoid Cap Assy.
12 Volt, 4-Terminal**

For: Lucas 2M113, M45G, M127, M418G Series DD Starters

Used On: Allis-Chalmers, Case, IHC, JCB, Lister-Petter, Massey Ferguson, Perkins,

Replaces: Lucas 60600125

Unit Nos: Lucas 25620, 25621, 25627, 25673, 26236, 26268, 26270, 26271, 26278, 26279, 26283, 26286, 26288, 26301, 26310, 26327, 26364, 26375, 26400, 26413, 26422, 27411, 27413, 27417, 27419, 27420, 27421, 27426, 27433, 27518, 27519, 27528, 27541, 27565

Lester Nos: 16165, 173, 184, 288, 606, 660, 664, 665; 17640, 641, 643, 644, 645, 649, 651, 652; 18261, 263

WAI Ref. Nos: 2-2038-LU, 2-2295-LU, 2-2296-LU, 2-2301-LU, 2-2305-LU, 2-2340-LU, 2-2458-LU

Dim:

Batt. Term. M8 x 1.25
Motor Term. M8 x 1.25
Switch Term. Male Spade
Relay Term. Male Spade

Note: Used in 7-756 (66-9200), 7-838 (66-9204), 7-797 (66-9211) solenoids. Used w/ 66-92700 movable contact assy.

Features:

- Accurate



66-92200

**Solenoid Cap Assy.
12 Volt, 4-Terminal**

For: Lucas M50 Series DD Starters

Used On: Ford Tractor, Lift Truck, IHC

Replaces: Lucas 54643312, 54646694 (cont'd.)

(cont'd.)

Unit Nos: Lucas 26211, 26227, 26246, 26265, 26282, 26294, 26295, 26298, 26304, 26312, 26338, 26342, 26343, 26349, 26351, 26352, 26357, 26358, 26359, 26376, 26414, 26416, 26423

Dim:

Batt. Term. M8 x 1.25
Motor Term. M6 x 1.0
Switch Term. Male Spade
Shunt Coil Term. M6 x 1.0 Post

Note: Used in 66-9207, 66-9208 solenoids.

Includes movable contact assy., o-ring.

Components:

66-92350 Stationary Contact, Battery



66-92202-5

(Ref# 7-1186)

**Solenoid Cap Assy.
12 Volt, 4-Terminal**

For: Lucas 2M113, M45G, M127, M418G Series DD Starters

Used On: Allis-Chalmers, Case, IHC, JCB, Lister-Petter, Massey Ferguson, Perkins,

Replaces: Lucas 60600125

Unit Nos: Lucas 25620, 25621, 25627, 25673, 26236, 26268, 26270, 26271, 26278, 26279, 26283, 26286, 26288, 26301, 26310, 26327, 26364, 26375, 26400, 26413, 26422, 27411, 27413, 27417, 27419, 27420, 27421, 27426, 27433, 27518, 27519, 27528, 27541, 27565

Lester Nos: 16165, 173, 184, 288, 606, 660, 664, 665; 17640, 641, 643, 644, 645, 649, 651, 652; 18261, 263

WAI Ref. Nos: 2-2038-LU, 2-2295-LU, 2-2296-LU, 2-2301-LU, 2-2305-LU, 2-2340-LU, 2-2458-LU

Dim:

Batt. Term. M8 x 1.25
Motor Term. M8 x 1.25
Switch Term. Male Spade
Relay Term. Male Spade

Note: Used in 7-756 (66-9200), 7-838 (66-9204), 7-797 (66-9211) solenoids. Used w/ 66-92700 movable contact assy.

Features:

- Best Value
- 100% New at rebuilt prices



66-92700

Movable Contact Assy.

For: Lucas 2M113, M45G, M127, M418G Series DD Starters

Note: Used in 66-9200, 66-9204, 66-9211 solenoids.

Used w/ 66-92202 cap assy.

MITSUBA



66-85200

**Solenoid Cap Assy.
12 Volt, 3-Terminal**

For: Mitsuba OSGR, PMOSGR Starters

Used On: (1991-84) Acura, Honda

Unit Nos: Mitsuba SM302-02, SM302-04, SM302-07, SM302-08, SM302-16, SM302-18, SM302-28, SM402-10N

Lester Nos: 16845, 16901, 16902, 16914, 17052, 17156, 17201

WAI Ref. Nos: 2-1000-MT, 2-1011-MT, 2-1012-MT, 2-1014-MT, 2-1017-MT, 2-1021-MT

Dim:

Batt. Term. M8 x 1.25
Motor Term. M8 x 1.25
Switch Term. Male Spade

Note: Used in 66-8500, 66-8501 solenoids

Components:

71-1501 O-Rings

66-85200-2

**Solenoid Cap Assy.
12 Volt, 3-Terminal**

Same as 66-85200 except...

Features:

- Bulk packaged, 50/case



66-85201
Solenoid Cap Assy.
12 Volt, 3-Terminal

For: Mitsuba OSGR, PMOSGR Starters
Used On: (1995-88) Honda
Unit Nos: Mitsuba SM302-22, SM302-24, SM302-25, SM302-44, SM302-45, SM302-46, SM302-48, SM402-03, SM402-04, SM402-05, SM402-05N, SM402-11N, SM402-13N, SM402-15, SM402-16N
Lester Nos: 16902, 16914, 16960, 16975, 17052, 17160, 17205, 17474, 17491, 17527
WAI Ref. Nos: 2-1000-MT, 2-1012-MT, 2-1018-MT, 2-1019-MT, 2-1020-MT, 2-1022-MT, 2-1521-MT, 2-1523-MT, 2-1528-MT
Dim:
 Batt. Term. M8 x 1.25
 Motor Term. M8 x 1.25
 Switch Term. Male Spade
Note: Used in 66-8502, 66-8503 solenoids
Components:
 71-1501 O-Rings



66-85400
Insulator - Movable Contact

For: Mitsuba OSGR, PMOSGR Starters
Note: Used in 66-8500, 66-8501, 66-8502, 66-8503 solenoids

MITSUBISHI



66-83200
Solenoid Cap Assy.
12 Volt, 3-Terminal

For: Mitsubishi DD, OSGR Starters
Used On: (1998-71) Dodge, Eagle, Mazda, Mitsubishi, Plymouth; Clark, Ingersoll-Rand, Mitsubishi Lift Truck
Lester Nos: 16495, 16500, 16513, 16514, 16519, 16520, 16522, 16524, 16527, 16581, 16588, 16729, 16793, 16858, 16859, 16939, 17110, 17212, 17214, 17288
Dim:
 Batt. Term. M8 x 1.25
 Motor Term. M8 x 1.25
 Switch Term. Male Spade
Note: Used in 66-8300, 66-8301, 66-8306 solenoids.
 Contact surface is 7.8mm from bottom of cap.
 Similar to 66-83203 except 66-83203 w/ contact surface 4.8mm from bottom of cap.
Components:
 66-83350 Stationary Contact, Battery
 66-83350 Stationary Contact, Motor

66-83200-2
Solenoid Cap Assy.
12 Volt, 3-Terminal

Same as 66-83200 except...
Features:
 • Bulk packaged, 50/case



66-83201
Solenoid Cap Assy.
12 Volt, 3-Terminal

For: Mitsubishi DD, OSGR, Starters
Used On: (2002-82) Mazda
 (cont'd.)

(cont'd.)

Unit Nos: Mitsubishi M2T23181, M2T24181, M2T25581, M2T25981, M2T50585, M2T53081, M2T53082, M3T36081, M3T36481
Lester Nos: 16720, 16775, 16855, 16856, 17544, 17596
WAI Ref. Nos: 2-1093-MI, 2-1140-MI, 2-1167-MI, 2-1438-MI, 2-1768-MI, 2-1846-MI

Dim:
 Batt. Term. M8 x 1.25
 Motor Term. M8 x 1.25
 Switch Term. Male Spade
Note: Used in 66-8302, 66-8307 solenoids.
 Contact surface is 7.8mm from bottom of cap.
 Similar to 66-83206 except 66-83206 w/ contact surface 4.8mm from bottom of cap.
Components:
 66-83351 Stationary Contact, Battery
 66-83351 Stationary Contact, Motor



66-83202
Solenoid Cap Assy.
12 Volt, 4-Terminal

For: Mitsubishi DD Starters
Used On: (1985-81) Mazda
Unit Nos: Mitsubishi M3T22381, M3T22781, M3T24485, M3T24486, M3T30281, M3T30282, M3T32382, M3T32781, M3T32782, M3T33585, M3T33586
Lester Nos: 16708
WAI Ref. Nos: 2-1136-MI
Dim:
 Batt. Term. M8 x 1.25
 Motor Term. M8 x 1.25
 Switch Term. Male Spade
 Relay Term. Female Spade w/ Lead
Note: Used in 66-8303 solenoid.
 Contact surface is 7.8mm from bottom of cap.
 Similar to 66-83205 except 66-83205 w/ contact surface 4.8mm from bottom of cap.

STARTER - SOLENOID PARTS (66-)

MITSUBISHI (cont'd)



66-83203

Solenoid Cap Assy. 12 Volt, 3-Terminal

For: Mitsubishi DD, PMDD, PMGR Starters

Used On: (2001-84) Chevrolet, Dodge, Eagle, Ford, Geo, Mazda, Mercury, Mitsubishi, Nissan, Plymouth, Subaru, Suzuki; Kubota, Woods

Lester Nos: 16514, 16729, 16774, 16775, 16888, 16889, 16922, 16933, 16939, 16941, 16998, 17132, 17142, 17166, 17181, 17192, 17194, 17206, 17217, 17266, 17662

WAI Ref. Nos: 2-1093-MI, 2-1094-MI, 2-1106-MI, 2-1144-MI, 2-1149-MI, 2-1152-MI, 2-1161-MI, 2-1166-MI, 2-1174-MI, 2-1178-MI, 2-1189-MI, 2-1209-MI, 2-1210-MI, 2-1239-MI, 2-1244-MI, 2-1247-MI, 2-1445-MI, 2-2088-MI

Dim:

Batt. Term. M8 x 1.25
Motor Term. M8 x 1.25
Switch Term. Male Spade

Note: Used in 66-8326, 66-8330 solenoids.

Contact surface is 4.8mm from bottom of cap.

Similar to 66-83200 except 66-83200 w/ contact surface 7.8mm from bottom of cap.

Components:

66-83350 Stationary Contact, Battery
66-83350 Stationary Contact, Motor

66-83203-2

Solenoid Cap Assy. 12 Volt, 3-Terminal

Same as 66-83203 except...

Features:

- Bulk packaged, 50/case



66-83204

Solenoid Cap Assy. 12 Volt, 3-Terminal

For: Mitsubishi PMGR Starters

Used On: (1993-87) AMC, Jeep

Unit Nos: Mitsubishi M1T74281

Lester Nos: 17006

WAI Ref. Nos: 2-1232-MI

Dim:

Batt. Term. M8 x 1.25
Motor Term. M8 x 1.25
Switch Term. M5 x 0.8 Post

Note: Used in 66-8350 solenoid.

Contact surface is 4.8mm from bottom of cap.

Components:

66-83350 Stationary Contact, Battery
66-83350 Stationary Contact, Motor

66-83204-2

Solenoid Cap Assy. 12 Volt, 3-Terminal

Same as 66-83204 except...

Features:

- Bulk packaged, 50/case



66-83205

Solenoid Cap Assy. 12 Volt, 4-Terminal

For: Mitsubishi PMGR Starters

Used On: (1988-87) Mazda

Unit Nos: Mitsubishi M1T70485

Lester Nos: 17185

WAI Ref. Nos: 2-1148-MI

Dim:

Batt. Term. M8 x 1.25
Motor Term. M8 x 1.25
Switch Term. Male Spade
Relay Term. Female Spade w/ Lead

(cont'd.)

(cont'd.)

Note: Used in 66-8325 solenoid.

Contact surface is 4.8mm from bottom of cap.

Similar to 66-83202 except 66-83202 w/ contact surface 7.8mm from bottom of cap.

Components:

66-83350 Stationary Contact, Battery
66-83350 Stationary Contact, Motor



66-83206

Solenoid Cap Assy. 12 Volt, 3-Terminal

For: Mitsubishi DD, PMGR Starters

Used On: (1995-86) Dodge, Mazda, Mitsubishi

Unit Nos: Mitsubishi M1T70781, M1T70881, M1T71381, M1T71781, M1T71781A, M1T72581, M1T72583, M1T72681, M1T73281, M1T73283, M1T74181, M1T74381, M1T74381A, M1T75181, M1T75381, M2T30981, M3T27781

Lester Nos: 16775, 16930, 16931, 16932, 17131, 17133, 17151, 17167, 17175, 17221, 17448

WAI Ref. Nos: 2-1093-MI, 2-1145-MI, 2-1146-MI, 2-1147-MI, 2-1150-MI, 2-1151-MI, 2-1176-MI, 2-1182-MI

Dim:

Batt. Term. M8 x 1.25
Motor Term. M8 x 1.25
Switch Term. Male Spade

Note: Used in 66-8327 solenoid.

Contact surface is 4.8mm from bottom of cap.

Similar to 66-83201 except 66-83201 w/ contact surface 7.8mm from bottom of cap.

Components:

66-83350 Stationary Contact, Battery
66-83350 Stationary Contact, Motor

66-83206-2

Solenoid Cap Assy. 12 Volt, 3-Terminal

Same as 66-83206 except...

Features:

- Bulk packaged, 50/case



66-83209
Solenoid Cap Assy.
12 Volt, 3-Terminal

For: Mitsubishi PMGR Starters
Used On: (1999-89) Infiniti, Nissan
Unit Nos: Mitsubishi MOT60081, M1T72281, M1T72985
Lester Nos: 17161, 17246, 17685
WAI Ref. Nos: 2-1115-MI, 2-1128-MI, 2-1847-MI
Dim:
 Batt. Term. M8 x 1.25
 Motor Term. M8 x 1.25
 Switch Term. Male Spade w/ Lead
Note: Used in 66-8346 solenoid.
 Contact surface is 4.8mm from bottom of cap.
Components:
 66-83350 Stationary Contact, Battery
 66-83350 Stationary Contact, Motor
 76-89606 Switch Term. Lead



66-83211
Solenoid Cap Assy.
12 Volt, 3-Terminal

For: Mitsubishi PMGR Starters
Used On: (1994-90) Nissan
Unit Nos: Mitsubishi M1T60281
Lester Nos: 17425
WAI Ref. Nos: 2-1121-MI
Dim:
 Batt. Term. M8 x 1.25
 Motor Term. M8 x 1.25
 Switch Term. Male Spade w/ Lead
Note: Used in 66-8347 solenoid.
 Contact surface is 4.8mm from bottom of cap.
Components:
 66-83350 Stationary Contact, Battery
 66-83350 Stationary Contact, Motor
 76-89600 Switch Term. Lead

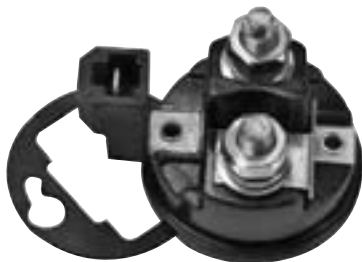


66-83212
Solenoid Cap Assy.
12 Volt, 3-Terminal

For: Mitsubishi OSGR, PLGR Starters
Used On: (2000-85) Ford 6.9L, 7.3L (Diesel)
Unit Nos: Mitsubishi M3T90071, M3T90072, M8T50071, M8T50171
Lester Nos: 17037, 17577, 17578
WAI Ref. Nos: 2-1254-MI, 2-1747-MI, 2-1748-MI
Dim:
 Batt. Term. M10 x 1.5
 Motor Term. M8 x 1.25
 Switch Term. M5 x 0.8 Post
Note: Used in 66-8309, 66-8363 solenoids.
 Contact surface is 7.8mm from bottom of cap.

66-83212-2
Solenoid Cap Assy.
12 Volt, 3-Terminal

Same as 66-83212 except...
Features:
 • Bulk packaged, 50/case



66-83217
Solenoid Cap Assy.
12 Volt, 3-Terminal

For: Mitsubishi PMGR Starters
Used On: (2000-95) Chrysler Cirrus, Sebring; Dodge Stratus 2.5L
Unit Nos: Chrysler 4609058, Mitsubishi M1T78581
Lester Nos: 17559
WAI Ref. Nos: 2-1771-MI
Dim:
 Batt. Term. M8 x 1.25
 Motor Term. M8 x 1.25
 Switch Term. Male Spade



66-83218
Solenoid Cap Assy.
12 Volt, 3-Terminal

For: Mitsubishi PMGR Starters
Used On: (2001-93) Chrysler, Dodge, Eagle
Unit Nos: Chrysler 4609011, 4609345; Mitsubishi, M1T77781, M1T84181
Lester Nos: 17461, 17726
WAI Ref. Nos: 2-1443-MI, 2-1950-MI
Dim:
 Batt. Term. M8 x 1.25
 Motor Term. M8 x 1.25
 Switch Term. Male Spade



66-83219
Solenoid Cap Assy.
12 Volt, 3-Terminal

For: Mitsubishi PMGR Starters
Used On: (1998-92) Jeep
Unit Nos: Chrysler 4796981, 56004934, 56027317, 56027904, 56041013, 56041014; Mitsubishi M1T74283, M1T74287, M1T76081, M1T79481, M1T79482, M1T79482
Lester Nos: 17006, 17467, 17564
WAI Ref. Nos: 2-1232-MI, 2-1547-MI, 2-1782-MI
Dim:
 Batt. Term. M8 x 1.25
 Motor Term. M8 x 1.25
 Switch Term. M5 x 0.8 Post

STARTER - SOLENOID PARTS (66-)

MITSUBISHI (cont'd)



66-83221

**Solenoid Cap Assy.
12 Volt, 3-Terminal**

For: Mitsubishi PMGR Starters

Used On: (2002-99) Dodge, Jeep

Unit Nos: Chrysler 56041012AB, 56041013AC; Mitsubishi, MOT83381, M1T84381

Lester Nos: 17749, 17799

WAI Ref. Nos: 2-1966-MI, 2-2053-MI

Dim:

Batt. Term. M8 x 1.25

Motor Term. M8 x 1.25

Switch Term. Male Spade

Note: Used in 66-8375 solenoid.



66-83224

**Solenoid Cap Assy.
12 Volt**

For: Mitsubishi PMGR Starters

Used On: (2000-98) Nissan

Unit Nos: Mitsubishi MOT85081, Nissan 23300-9E010

Lester Nos: 17740

WAI Ref. Nos: 2-1936-MI

Dim:

Batt. Term. M8 x 1.25

Motor Term. M8 x 1.25

Switch Term. Male Spade

Note: Used in 66-8372 solenoid.



66-83350

**Stationary Contact - Battery, Motor
Copper Contact**

For: Mitsubishi DD, OSGR, PMDD, PMGR Starters

Dim: M8 x 1.25 x 24mm L

Note: Used in 66-83200, 66-83203, 66-83204, 66-83205, 66-83206, 66-83209, 66-83211 cap Assy.



66-83351

**Stationary Contact - Battery, Motor
Copper Contact**

For: Mitsubishi DD, OSGR Starters

Dim: M8 x 1.25 x 27mm L

Note: Used in 66-83201 cap Assy.



66-83222

**Solenoid Cap Assy.
24 Volt, 3-Terminal**

For: Mitsubishi OSGR Starters

Used On: Nissan Lift Truck

Unit Nos: Mitsubishi M2T54272, M2T65271, M2T65272, M3T54072

Lester Nos: 18245

WAI Ref. Nos: 2-2103-MI

Dim:

Batt. Term. M8 x 1.25

Motor Term. M8 x 1.25

Switch Term. M5 x 0.8 Hole

Note: Used in 66-8323 Solenoid.



66-83225

**Solenoid Cap Assy.
12 Volt, 3-Terminal**

For: Mitsubishi PMGR Starters

Used On: (2000-96) Infiniti, Nissan

Unit Nos: Mitsubishi M0T60181; Nissan 23300-0W010, -0W011

Lester Nos: 17683

WAI Ref. Nos: 2-1848-MI

Dim:

Batt. Term. M8 x 1.25

Motor Term. M8 x 1.25

Switch Term. Male Spade

Note: Used in 66-8371 solenoid



66-83354

Battery Terminal - Solenoid

For: Mitsubishi PMGR Starters

Used On: (1997-93) Nissan

Unit Nos: Mitsubishi M1T73881

Lester Nos: 17478

WAI Ref. Nos: 2-1611-MI

Note: Used in 66-8368 solenoid



66-83700

Movable Contact Assy.

For: Mitsubishi OSGR Starters

Dim: 16mm W x 30mm L Contact, 33mm from Bottom of Contact to End of Stem



66-83701

Movable Contact Assy.

For: Mitsubishi DD, PMDD, PMGR Starters

Dim: 16mm W x 30mm L Contact, 23mm from Bottom of Contact to End of Stem



66-83702

Movable Contact Assy.

For: Mitsubishi OSGR Starters

Used On: (1994-85) Ford 6.9L, 7.3L (Diesel)

Lester Nos: 17037

Dim: 16mm W x 30mm L Contact, 39mm from Bottom of Contact to End of Stem

Note: Used in 66-8309 solenoid

Features:

- Heavy-duty springs for use in diesel applications



66-83704

Movable Contact Assy.

For: Mitsubishi OSGR, PLGR Starters

Dim: 16mm W x 30mm L Contact, 35mm from Bottom of Contact to End of Stem

Note: Used in 66-8305, 66-8308, 66-8310, 66-8316, 66-8363 solenoids

Features:

- Heavy-duty springs for use in diesel applications



66-83705

Movable Contact Assy.

For: Mitsubishi DD, OSGR, PMGR Starters

Dim: 16mm W x 30mm L Contact, 26mm from Bottom of Contact to End of Stem



76-7552

Conversion Terminal - Solenoid

For: Mitsubishi DD, PMGR Starters

Note: Converts straight male spade to L-shaped male spade terminal



76-83551

Switch Terminal

For: Mitsubishi PMGR Starters

Used On: (2000-97) Infiniti, Nissan

Unit Nos: Mitsubishi MOT60181, MOT85081;

Nissan 23300-0W010, -0W011, -9E01

Lester Nos: 17683, 17740

WAI Ref. Nos: 2-1848-MI, 2-1936-MI

Note: Used in 66-8371 solenoid



76-83552

Switch Terminal

For: Mitsubishi PMGR Starters

Used On: (2002-99) Dodge, Jeep

Unit Nos: Chrysler 56041012AB, 56041013AC;

Mitsubishi MOT83381, M1T84381

Lester Nos: 17749, 17799

WAI Ref. Nos: 2-1966-MI, 2-2053-MI

Note: Used in 66-8375 solenoid



76-89600

Switch Term. Lead - Solenoid

For: Hitachi DD, OSGR, PMGR;

Mitsubishi PMGR Starters

Used On: (1995-87) Nissan

Unit Nos: Hitachi S114-306, S114-457, S114-458; S114-527, A, B; S114-605;

S114-607, C; Mitsubishi M1T60281, M1T71581, M1T71681

Lester Nos: 16874, 16992, 17104, 17425, 17454

WAI Ref. Nos: 2-1109-HI, 2-1111-MI, 2-1113-HI, 2-1121-MI, 2-1122-HI

Note: Repairs switch terminal lead for 66-8121, 66-8123, 66-8145, 66-8328, 66-8347 solenoids.

Used w/ 66-81211, 66-81214, 66-83211 cap assys.



76-89603

Switch Term. Adapter Plug - Solenoid

For: Hitachi, Mitsubishi Starters

Note: For converting Early Nissan Solenoid to Late Solenoid w/ Oval Switch Terminal Plug.

Similar to 76-89600 except 76-89603 has shorter lead and female spade connector



76-89606

Switch Term. Lead - Solenoid

For: Delco PG260D; Hitachi DD, PMGR, OSGR; Mitsubishi PMGR Starters

Used On: (2005-89) Infiniti, Mercury, Nissan

Unit Nos: Delco 9000908;

Hitachi S114-461, A, B; S114-475A, S114-519A, S114-520B; S114-528, A;

S114-534, S114-617A, S114-630;

S114-701A, C; S114-757, S114-766A; S114-767, A; S114-800B; S114-802A, B; S114-806A, S114-900;

Mitsubishi MOT60081, M1T72281, M1T72985, M1T74781, M2T53882

Lester Nos: 17145, 17146, 17147, 17161, 17178, 17180, 17196, 17246, 17476, 17479, 17685, 17745

Note: Repairs switch terminal lead for 7-670 (66-8152), 7-676 (66-8146), 7-680 (66-8138), 7-681 (66-8135), 7-685 (66-8143), 7-687 (66-8136), 7-710 (66-8346) solenoids.

Used w/ 66-81208, 66-81209, 66-83209 cap assys.

Features:

- Premium Quality

76-89606-1

Switch Term. Lead - Solenoid

Same as 76-89606 except...

Features:

- Best Value

STARTER - SOLENOID PARTS (66-)

NIKKO



66-84205

Solenoid Repair Kit 12-24 Volt, 3-Terminal

For: Nikko DD, OSGR Starters
Used On: Isuzu, Komatsu
Unit Nos: Nikko 0-21000-3783, 0-21000-4130, 0-21000-4131, 0-21000-4132, 0-21000-4192, 0-21000-4850, 0-21000-4870, 0-21000-5150, 0-23000-3150, 0-23000-3160, 0-23000-3170, 0-23000-3180, 0-23000-3280
Dim:
 Batt. Term. M10 x 1.25
 Motor Term. M10 x 1.25
 Switch Term. M5 x 0.8 Post (RH)
Note: Used in 66-8400, 66-8414, 66-8415 solenoids

NIPPONDENSO



66-82201

Solenoid Cap Assy. 12 Volt, 3-Terminal

For: Nippondenso DD, PLGR Starters
Used On: (1993-81) Chevrolet, Ford, Geo, Isuzu, Subaru; Carrier, Komatsu, Kubota, Link-Belt Construction
Unit Nos: Nippondenso 028000-652, -665, -713, -746, -747, -748, -751, -772, -778, -949, -950, -957, -981, -990; 128000-120, -121, -130, -131, -467, -568, -740, -774
 (cont'd.)

(cont'd.)

Lester Nos: 16215, 16245, 16468, 16707, 16804, 16838, 16880, 16883, 16971, 17058, 17203

WAI Ref. Nos: 2-1133-ND, 2-1194-ND, 2-1201-ND, 2-1205-ND, 2-1208-ND, 2-1218-ND, 2-1238-ND, 2-1421-ND, 2-1683-ND, 2-1693-ND, 2-1929-ND, 2-1930-ND

Dim:

Batt. Term. M8 x 1.25
 Motor Term. M8 x 1.25
 Switch Term. Male Spade

Note: Used in 66-8205, 66-8210 Solenoids.



66-82350

Terminal Post - Motor

For: Nippondenso OSGR Starters
Dim: M8 x 1.25 x 24mm L
Features:
 • Copper-plated steel



66-82351

Terminal Post - Battery

For: Nippondenso OSGR Starters
Dim: M8 x 1.25 x 26mm L
Note: 8.7mm knurl OD
Features:
 • Copper-plated steel



66-82352

Terminal Post - Battery

For: Nippondenso OSGR Starters
Dim: M8 x 1.25 x 33mm L
Note: 8.7mm knurl OD
Features:
 • Copper-plated steel



66-82353

Terminal Post - Battery

For: Nippondenso OSGR Starters
Dim: M10 x 1.5 x 42mm L
Note: 10.6mm knurl OD, 14.9mm x 14.9mm base
Features:
 • Copper-plated steel



66-82354

Terminal Post - Motor

For: Nippondenso OSGR Starters
Dim: M10 x 1.5 x 28mm L
Features:
 • Copper-plated steel



66-82355

Terminal Post - Battery

For: Nippondenso OSGR Starters
Used On: (2005-93) Chevrolet, Geo, Lexus, Toyota
Unit Nos: Nippondenso 228000-082, -083, -090, -156, -162, -196, -231, -250, -252, -257, -261, -273, -274, -275, -284, -285, -289, -294, -296, -304, -321, -326, -328, -374, -375, -408, -530, -567, -568, -617, -627, -628, -631, -666, -703, -740
Lester Nos: 17485, 17493, 17519, 17520, 17521, 17523, 17524, 17525, 17529, 17530, 17531, 17532, 17533, 17534, 17535, 17536, 17537, 17666, 17668, 17672, 17687, 17700, 17707, 17715, 17716, 17727, 17737, 17747, 17774, 17777, 17791
Dim: M8 x 1.25 x 34mm L
Note: 8.7mm knurl OD

STARTER - SOLENOID PARTS (66-)



66-82356

Terminal Post - Battery

For: Nippondenso 2.7kW OSGR Starters

Used On: Bobcat, Clark Equipment

Unit Nos: Nippondenso 228000-581

Lester Nos: 17462

WAI Ref. Nos: 2-2214-ND

Dim: M10 x 1.5 x 42mm L

Note: 10.6mm knurl OD, 14.7mm x 20mm base

Features:

- Copper-plated steel



66-82400

Gasket - Solenoid Housing

For: Nippondenso 1.0kW, 1.2kW, 1.4kW, 1.8kW Early OSGR Starters w/ Stamped Steel C.E. Frame

Features:

- Vulcanized fiber material



66-82401

Gasket - Solenoid Housing

For: Nippondenso 1.0kW, 1.2kW, 1.4kW, 1.6kW, 2.0kW Early OSGR Starters

Features:

- Rubber material



66-82402

Gasket - Solenoid Housing

For: Nippondenso 2.5kW, 3.0kW, 4.5kW, 5.5kW OSGR Starters

Features:

- Rubber material



66-82404

Gasket - Solenoid Housing

For: Nippondenso 1.2kW, 1.4kW OSGR Starters

Features:

- Rubber material



66-82450

Best Value

7-1109

Accurate

Solenoid Coil

12 Volt

For: Nippondenso 2.5kW, 3.0kW OSGR Starters

Unit Nos: Nippondenso 128000-021, 128000-049, 128000-054, 128000-227, 128000-248, 128000-312, 128000-422, 128000-491, 128000-560

Lester Nos: 16881, 16990, 17215, 17390, 17394, 17600, 17613

WAI Ref. Nos: 2-1397-ND, 2-1526-ND, 2-1745-ND

Note: Double wire on left side, single wire on right side



66-82451

Best Value

7-1110

Accurate

Solenoid Coil

12 Volt

For: Nippondenso 2.5kW OSGR Starters

Unit Nos: Nippondenso 028000-558, 028000-686, 028000-688, 028000-689, 028000-807

Lester Nos: 16830

WAI Ref. Nos: 2-1037-ND

Note: Double wire in center, single wire on right side



66-82452

Best Value

7-1111

Accurate

Solenoid Coil

12 Volt

For: Nippondenso 2.5kW OSGR Starters

Unit Nos: Nippondenso 028000-566, 028000-588, 028000-840, 128000-055, 128000-056, 228000-700

Lester Nos: 16656, 16658, 16824, 17362, 18407

WAI Ref. Nos: 2-1047-ND, 2-1726-ND, 2-1750-ND, 2-1752-ND, 2-2122-ND

Note: Double wire on right side, single wire on left side



66-82453

Best Value

7-724

Accurate

Solenoid Coil

12 Volt

For: Nippondenso 1.0kW, 1.2kW, 1.4kW OSGR Starters

Unit Nos: Nippondenso 028000-424, 028000-425, 028000-454, 028000-455, 028000-494, 028000-495, 028000-510, 028000-514, 028000-524, 028000-604, 028000-655, 028000-662, 028000-671, 028000-696, 028000-719, 028000-738, 028000-739, 028000-770, 028000-799, 028000-800, 028000-857, 028000-858, 028000-862, 028000-867, 028000-907, 028000-932, 028000-934, 028000-971, 028000-986, 128000-013, 128000-122, 128000-585

Lester Nos: 16248, 16251, 16586, 16600, 16676, 16696, 16730, 16736, 16759, 16760, 16761, 16821, 16837, 16906, 16979

WAI Ref. Nos: 2-1007-ND, 2-1008-ND, 2-1011-ND, 2-1025-ND, 2-1026-ND, 2-1029-ND, 2-1035-ND, 2-1036-ND, 2-1041-ND, 2-1042-ND, 2-1045-ND, 2-1206-ND, 2-1207-ND, 2-1381-ND, 2-1415-ND, 2-1416-ND

Note: Double wire on left side, single wire on right side

STARTER - SOLENOID PARTS (66-)

NIPPONDENSO (cont'd.)



66-82454 **7-730**
 Best Value Accurate
Solenoid Coil
12 Volt

For: Nippondenso 1.0kW, 1.4kW OSGR Starters

Unit Nos: Nippondenso 028000-451, 028000-590, 028000-591, 028000-635, 028000-755, 028000-756, 028000-822, 028000-823, 028000-926, 028000-927, 028000-938, 028000-972, 128000-135, 128000-137, 128000-206

Lester Nos: 16674, 16737, 16786, 16790, 16825, 16828, 16829, 16833, 16834, 16892, 17100, 17345

WAI Ref. Nos: 2-1024-ND, 2-1034-ND, 2-1038-ND, 2-1040-ND, 2-1049-ND, 2-1050-ND, 2-1051-ND, 2-1052-ND, 2-1053-ND, 2-1737-ND

Note: Double wire on right side, single wire on left side



66-82456 **7-1113**
 Best Value Accurate
Solenoid Coil
12 Volt

For: Nippondenso 1.0kW, 1.2kW, 1.4kW, 1.6kW OSGR Starters

Unit Nos: Nippondenso 028000-600, 028000-805, 028000-973, 028000-980, 128000-010, 128000-028, 128000-030, 128000-072, 128000-123, 128000-218, 128000-219, 128000-490, 128000-508, 128000-543, 128000-570, 128000-571, 128000-719, 128000-720, 128000-820, 128000-828, 228000-021, 228000-261, 228000-285

Lester Nos: 16612, 16696, 16802, 16826, 16905, 16913, 17117, 17129, 17143, 17170, 17254, 17255, 17366, 17422, 17525, 17606, 17666

WAI Ref. Nos: 2-1000-ND, 2-1012-ND, 2-1032-ND, 2-1044-ND, 2-1048-ND, 2-1066-ND, 2-1067-ND, 2-1074-ND, 2-1206-ND, 2-1216-ND, 2-1243-ND, 2-1411-ND, 2-1711-ND, 2-1746-ND, 2-1831-ND

Note: Double wire on left side, single wire on right side



66-82457 **7-1114**
 Best Value Accurate
Solenoid Coil
12 Volt

For: Nippondenso 1.0kW, 1.2kW, 1.4kW, 1.6kW OSGR Starters

Unit Nos: Nippondenso 028000-580, 028000-614, 128000-125, 128000-144, 128000-204, 128000-257, 128000-258, 128000-259, 128000-335, 128000-347, 128000-348, 128000-350, 128000-367, 128000-496, 128000-527, 128000-528, 128000-534, 128000-563, 128000-564, 128000-575, 128000-578, 128000-594, 128000-595, 128000-632, 128000-708, 128000-721, 128000-784, 128000-799, 128000-827, 128000-850, 228000-110, 228000-171, 228000-231, 228000-432, 228000-433

Lester Nos: 16790, 16834, 16878, 16893, 16895, 16978, 17002, 17003, 17007, 17020, 17027, 17084, 17117, 17171, 17251, 17256, 17264, 17297, 17298, 17483, 17494, 17495, 17520, 17617, 17681, 17682

WAI Ref. Nos: 2-1001-ND, 2-1024-ND, 2-1049-ND, 2-1054-ND, 2-1055-ND, 2-1056-ND, 2-1057-ND, 2-1064-ND, 2-1065-ND, 2-1197-ND, 2-1219-ND, 2-1220-ND, 2-1221-ND, 2-1383-ND, 2-1385-ND, 2-1394-ND, 2-1405-ND, 2-1525-ND, 2-1529-ND, 2-1703-ND, 2-1742-ND, 2-1784-ND, 2-1791-ND, 2-1829-ND, 2-1830-ND

Note: Double wire on right side, single wire on left side



66-82455 **7-730**
 Best Value Accurate
Solenoid Coil
24 Volt

For: Nippondenso 4.5kW, 5.5kW OSGR Starters

Unit Nos: Nippondenso 028000-555, 028000-569, 028000-586, 028000-601, 028000-620, 028000-724, 028000-781, 128000-245, 128000-256, 128000-497, 128000-573

Lester Nos: 16614, 16896, 16967, 17391, 17609, 17616, 18155, 18180, 18181, 18190

WAI Ref. Nos: 2-1730-ND, 2-1751-ND, 2-1754-ND, 2-2105-ND, 2-2106-ND, 2-2278-ND

Note: Double wire on left side, single wire on right side

STARTER - SOLENOID PARTS (66-)



66-82458 **7-1115**
Best Value **Accurate**
Solenoid Coil
12 Volt

For: Nippondenso 1.2kW, 1.4kW, 1.8kW OSGR Starters

Unit Nos: Nippondenso 128000-700, 128000-712, 128000-714, 128000-811, 128000-821, 128000-831, 128000-832, 128000-878, 128000-930, 128000-938, 128000-952, 228000-022, 228000-041, 228000-047, 228000-071, 228000-081, 228000-115, 228000-162, 228000-196, 228000-226, 228000-252, 228000-257, 228000-284, 228000-304, 228000-328, 228000-375, 228000-408, 228000-409, 228000-530, 228000-533, 228000-631, 228000-642, 228000-666, 228000-713, 228000-714

Lester Nos: 17170, 17197, 17202, 17204, 17242, 17259, 17273, 17423, 17465, 17487, 17524, 17526, 17529, 17530, 17535, 17536, 17537, 17546, 17579, 17668, 17671, 17672, 17706, 17711, 17727, 17737

WAI Ref. Nos: 2-1070-ND, 2-1073-ND, 2-1200-ND, 2-1202-ND, 2-1203-ND, 2-1215-ND, 2-1216-ND, 2-1382-ND, 2-1399-ND, 2-1442-ND, 2-1455-ND, 2-1561-ND, 2-1585-ND, 2-1586-ND, 2-1587-ND, 2-1695-ND, 2-1698-ND, 2-1699-ND, 2-1701-ND, 2-1706-ND, 2-1707-ND, 2-1710-ND, 2-1826-ND, 2-1832-ND, 2-1833-ND, 2-1837-ND, 2-1838-ND, 2-1892-ND, 2-1944-ND

Note: Double wire on left side, single wire on right side



66-82459
Solenoid Coil
12 Volt

For: Nippondenso 1.2kW, 1.4kW OSGR Starters

Unit Nos: Nippondenso 128000-701, 128000-739, 128000-750, 128000-756, 128000-771, 128000-781, 128000-803, 128000-835, 128000-836, 128000-840, 128000-971, 128000-972, 128000-973, 128000-975, 228000-036, 228000-082, 228000-083, 228000-089, 228000-090, 228000-156, 228000-170, 228000-180, 228000-205, 228000-206, 228000-250, 228000-289, 228000-294, 228000-296, 228000-301, 228000-302, 228000-303, 228000-321, 228000-339, 228000-340, 228000-399, 228000-567, 228000-568, 228000-611, 228000-720

Lester Nos: 16831, 16878, 17020, 17216, 17256, 17263, 17285, 17460, 17464, 17466, 17481, 17485, 17493, 17516, 17517, 17519, 17531, 17532, 17534, 17549, 17562, 17570, 17571, 17573, 17574, 17584, 17687, 17715, 17716, 17735

WAI Ref. Nos: 2-1197-ND, 2-1393-ND, 2-1398-ND, 2-1401-ND, 2-1404-ND, 2-1405-ND, 2-1459-ND, 2-1527-ND, 2-1528-ND, 2-1530-ND, 2-1588-ND, 2-1614-ND, 2-1696-ND, 2-1697-ND, 2-1700-ND, 2-1702-ND, 2-1704-ND, 2-1714-ND, 2-1715-ND, 2-1717-ND, 2-1786-ND, 2-1807-ND, 2-1821-ND, 2-1822-ND, 2-1823-ND, 2-1827-ND, 2-1834-ND, 2-1835-ND, 2-1836-ND, 2-1943-ND

Note: Double wire on right side, single wire on left side



66-82460
Solenoid Coil
12 Volt

For: Nippondenso 1.4kW, 1.6kW, 2.0kW OSGR Starters

Unit Nos: Delco 1998538, 10455003; Nippondenso 128000-071, 128000-318, 128000-341, 128000-738, 128000-747, 128000-777

Lester Nos: 16657, 16890, 17083, 17189, 17274, 17397

WAI Ref. Nos: 2-1004-ND, 2-1019-ND, 2-1075-ND, 2-1409-ND, 2-1743-ND

Note: Double wire on right side, single wire on left side



66-82461
Solenoid Coil
12 Volt

For: Nippondenso 1.0kW, 1.2kW, 1.4kW, 1.6kW OSGR Starters

Unit Nos: Delco 1998578, 10455702; Nippondenso 128000-190, 128000-283, 128000-457, 128000-495, 128000-556, 128000-557, 128000-569, 128000-746, 228000-024, 228000-273, 228000-274, 228000-275

Lester Nos: 16839, 16878, 16884, 17091, 17125, 17421, 17521, 17523, 17547

WAI Ref. Nos: 2-1002-ND, 2-1020-ND, 2-1060-ND, 2-1195-ND, 2-1198-ND, 2-1410-ND, 2-1705-ND, 2-1708-ND, 2-1709-ND, 2-1716-ND

Note: Double wire on left side, single wire on right side

STARTER - SOLENOID PARTS (66-)

NIPPONDENSO (cont'd.)



66-82462
Solenoid Coil Kit

For: Nippondenso 1.2kW, 1.4kW, 1.8kW OSGR Starters

Used On: (2005-90) Acura, Chevrolet, Chrysler, Dodge, Geo, Honda, Isuzu, Lexus, Plymouth, Subaru, Toyota

Unit Nos: Delco 10455703, 10455709; Nippondenso 128000-700, -712, -714, -811, -821, -831, -832, -878, -930, -938, -952; 228000-022, -041, -047, -071, -081, -115, -162, -196, -226, -252, -284, -304, -328, -375, -642, -713

Lester Nos: 16888, 17170, 17197, 17202, 17204, 17242, 17259, 17273, 17423, 17424, 17465, 17487, 17524, 17526, 17529, 17530, 17535, 17536, 17537, 17546, 17579, 17707

Components:

66-82458 Solenoid Coil
76-82251 Bracket Assy.

Features:

- Designed and tool by WAI
- Install solenoid coil with screws and nuts. No pressing or crimping required!



66-82463
Solenoid Coil Kit

For: Nippondenso 1.2kW, 1.4kW OSGR Starters

Used On: (2002-90) Acura, Chrysler, Dodge, Eagle, Geo, Honda, Isuzu, Lexus, Plymouth, Toyota

Unit Nos: Nippondenso 128000-701, -739, -750, -756, -771, -781, -803, -835, -836, -840, -971, -972, -973, -975; 228000-036, -082, -083, -089, -090, -156, -170, -180, -205, -206, -250, -289, -294, -296, -301, -302, -303, -321, -399, -567, -568, -611, -720

Lester Nos: 16831, 16878, 17020, 17216, 17240, 17256, 17263, 17285, 17400, 17460, 17464, 17466, 17481, 17485, 17493, 17516, 17517, 17519, 17531, 17532, 17534, 17549, 17562, 17570, 17571, 17584, 17687, 17715, 17716, 17735

Components:

66-82459 Solenoid Coil
76-82251 Bracket Assy.

Features:

- Designed and tool by WAI
- Install solenoid coil with screws and nuts. No pressing or crimping required!



66-82464
Solenoid Coil
12 Volt

For: Nippondenso 1.4kW OSGR Starters

Unit Nos: Nippondenso 228000-617, 228000-628; Toyota 28100-03100, 28100-74260

Lester Nos: 17774

WAI Ref. Nos: 2-1984-ND

Features:

- Best Value
- 100% New at rebuilt prices



66-82550
Spring - Plunger Return

For: Nippondenso 1.0kW, 1.2kW, 1.4kW, 1.6kW, 1.8kW, 2.0kW OSGR Starters

Dim: 62mm L



66-82551
Spring - Plunger Return

For: Nippondenso 1.4kW, 2.5kW, 3.0kW, 4.5kW, 5.5kW OSGR Starters

Dim: 72mm L



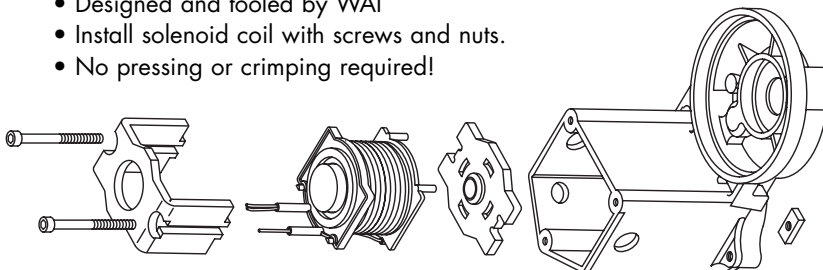
66-82552
Spring - Plunger Return

For: Nippondenso 1.0kW, 1.2kW, 1.4kW, 1.6kW OSGR Starters

Dim: 89mm L

66-82462 & 66-82463

- Designed and tooled by WAI
- Install solenoid coil with screws and nuts.
- No pressing or crimping required!





66-82600

Contact & Plunger Assy.

For: Nippondenso 1.0kW, 1.2kW, 1.4kW, 1.6kW, 1.8kW, 2.0kW OSGR Starters
Dim: 95.5mm OAL, 36.8mm Movable Contact OD

Note: Use 79-82101 repair kit for plungers w/ 3mm hole.
 Use 79-82102 repair kit for plungers w/ 5mm hole.

Components:
 66-82650 Movable Contact



66-82606

Contact & Plunger Assy.

For: Nippondenso 2.5kW, 2.7kW OSGR Starters

Dim: 119mm OAL, 39.8mm Movable Contact OD

Note: With recessed surface where plunger rod enters plunger.
 Use 79-82101 repair kit for plungers w/ 3mm hole.

Use 79-82102 repair kit for plungers w/ 5mm hole.

Components:
 66-82652 Movable Contact



66-82650

Movable Contact

For: Nippondenso 1.0kW, 1.2kW, 1.4kW, 1.6kW, 1.8kW, 2.0kW OSGR Starters

Dim: 36.8mm OD

Note: For repairing 66-82600, 66-82607 plunger assys.



66-82651

Movable Contact

For: Nippondenso 1.0kW, 1.2kW, 1.4kW, 1.6kW, 2.0kW OSGR Starters

Dim: 34.8mm OD

Note: For repairing 66-82603 plunger assy.



66-82603-1

Contact & Plunger Assy.

For: Nippondenso 1.0kW, 1.2kW, 1.4kW, 1.6kW, 2.0kW OSGR Starters

Dim: 96.7mm OAL, 34.8mm Movable Contact OD

Note: Use 79-82101 repair kit for plungers w/ 3mm hole.
 Use 79-82102 repair kit for plungers w/ 5mm hole.

Components:
 66-82651 Movable Contact



66-82607

Contact & Plunger Assy.

For: Nippondenso 1.0kW, 1.4kW, 1.6kW OSGR Starters

Dim: 123mm OAL, 36.8mm Movable Contact OD

Note: Use 79-82101 repair kit for plungers w/ 3mm hole.

Use 79-82102 repair kit for plungers w/ 5mm hole.

Components:
 66-82650 Movable Contact



66-82652

Movable Contact

For: Nippondenso 2.5kW, 3.0kW, 4.5kW, 5.5kW OSGR Starters

Dim: 39.8mm OD

Note: For repairing 66-82605, 66-82606 plunger assys.



66-82605

Contact & Plunger Assy.

For: Nippondenso 2.5kW, 3.0kW, 4.5kW, 5.5kW OSGR Starters

Dim: 119mm OAL, 39.8mm Movable Contact OD

Note: With flat surface where plunger rod enters plunger. Used in 66-8211, 66-8213, 66-8214, 66-8215, 66-8216 solenoids.

Use 79-82101 repair kit for plungers w/ 3mm hole.

Use 79-82102 repair kit for plungers w/ 5mm hole.

Components:
 66-82652 Movable Contact



66-82608

Contact & Plunger Assy.

For: Nippondenso 1.2kW, 1.4kW OSGR Starters

Unit Nos: Nippondenso 128000-739, 128000-831, 128000-840, 128000-971, 128000-972, 228000-022, 228000-082, 228000-083, 228000-180, 228000-250, 228000-340, 228000-465, 228000-567, 228000-568, 228000-617, 228000-627, 228000-628, 228000-713

Dim: 125mm OAL, 34.8mm Movable Contact OD

Note: Use 79-82101 repair kit for plungers w/ 3mm hole.

Use 79-82102 repair kit for plungers w/ 5mm hole.

Components:
 66-82651 Movable Contact



66-82750

Stationary Contact Kit

For: Nippondenso 1.0kW, 1.2kW, 1.4kW, 1.6kW, 1.8kW, 2.0kW, OSGR Starters

Dim: 8mm Hole

Components:
 66-82756 Contacts

STARTER - SOLENOID PARTS (66-)

NIPPONDENSO (cont'd.)



66-82751

Stationary Contact Kit

For: Nippondenso 1.0kW, 1.2kW, 1.4kW OSGR Starters

Dim: 8mm Hole

Components:

- 66-82756 Contact
- 66-82757 Contact



66-82754

Relay Terminal Contact

For: Nippondenso 1.0kW, 1.4kW, 2.5kW OSGR Starters

Dim: 4mm Hole

Note: Used w/ 76-82551 relay terminal



66-82756

Stationary Contact - Battery, Motor

For: Nippondenso 1.0kW, 1.2kW, 1.4kW, 1.6kW, 1.8kW, 2.0kW, 2.2kW OSGR Starters

Dim: 8mm Hole



66-82757

Stationary Contact - Battery

For: Nippondenso 1.0kW, 1.2kW, 1.4kW OSGR Starters

Dim: 8mm Hole

Note: Used w/ 66-82756 motor terminal contact



66-82758

Stationary Contact - Battery

For: Nippondenso 1.0kW, 1.2kW, 1.4kW, 1.6kW, 2.0kW, 2.2kW OSGR Starters

Dim: 8mm Hole

Note: Used w/ 66-82756 motor terminal contact

Features:

- Heavy-duty contact
- Enlarged surface area



66-82759

Stationary Contact - Battery

For: Nippondenso 1.2kW, 1.4kW, 1.8kW OSGR Starters

Dim: 8mm Hole

Note: Used w/ 66-82756 motor terminal contact. For contact in opposite direction use 66-82761.



66-82760

Retainer - Contact & Plunger Assy.

For: Nippondenso OSGR Starters

Dim: 3mm Hole

Note: Included in 79-82101 repair kit



66-82761

Stationary Contact - Battery

For: Nippondenso 1.2kW, 1.4kW, 2.0kW OSGR Starters

Dim: 8mm Hole

Note: Used w/ 66-82756 motor terminal contact. For contact in opposite direction use 66-82759.



66-82765

Retainer - Contact & Plunger Assy.

For: Nippondenso OSGR Starters

Dim: 5mm Hole

Note: Included in 79-82102 repair kit



66-82766

Stationary Contact - Battery

For: Nippondenso 3.0kW, 5.5kW OSGR Starters

Dim: 10mm Hole

Note: Used w/ 66-82767 motor terminal contact.

Similar to 66-82767 except 66-82767 wo/ tungsten insert.

Features:

- Copper contact w/ tungsten insert for longer life



66-82767

Stationary Contact - Battery, Motor

For: Nippondenso 2.5kW, 2.7kW, 3.0kW, 4.5kW, 5.5kW OSGR Starters

Dim: 10mm Hole

Note: Used w/ 66-82766, 66-82769, 66-82770, 66-82777 battery terminal contacts



66-82768

Stationary Contact - Battery

For: Nippondenso 1.4kW, 2.0kW OSGR Starters

Dim: 10mm Hole

Note: Used w/ 66-82756 motor terminal contact

STARTER - SOLENOID PARTS (66-)



66-82769

Stationary Contact - Battery

For: Nippondenso 2.5kW OSGR Starters
Dim: 10mm Hole
Note: Used w/ 66-82767 motor terminal contact



66-82770

Stationary Contact - Battery

For: Nippondenso 2.5kW, 4.5kW OSGR Starters
Dim: 10mm Hole
Note: Used w/ 66-82767 motor terminal contact.
 Included in 79-82500 contact kit.



66-82771

Stationary Contact - Battery

For: Nippondenso 2.0kW OSGR Starters
Used On: (1995-90) Lexus
Unit Nos: Nippondenso 128000-738
Lester Nos: 17189
Dim: 8mm Hole
Note: Used w/ 66-82756 motor terminal contact



66-82773

Stationary Contact - Battery

For: Nippondenso 1.2kW OSGR Starters
Used On: Harley-Davidson
Unit Nos: Nippondenso 128000-575
Dim: 8mm Hole
Note: Used w/ 66-82756 motor terminal contact



66-82777

Stationary Contact - Battery

For: Nippondenso 2.7kW OSGR Starters
Unit Nos: Bobcat 6667587, Nippondenso 228000-581
Lester Nos: 17462
WAI Ref. Nos: 2-2214-ND
Dim: 10mm Hole
Note: Used w/ 66-82767 motor terminal contact



71-82512

O-Ring - Batt., Motor Terms.

For: Nippondenso 1.0kW, 1.2kW, 1.4kW, 1.6kW, 1.8kW, 2.0kW OSGR Starters
Dim: 7.6mm ID x 11.2mm OD x 1.8mm W
 5/16" ID x 7/16" OD x 1/16" W



71-82516

O-Ring - Batt., Motor Terms.

For: Nippondenso 2.5kW, 2.7kW, 3.0kW, 4.5kW, 5.5kW OSGR Starters
Dim: 9.8mm ID x 13.8mm OD x 1.9mm W
 3/8" ID x 1/2" OD x 1/16" W



71-82518

O-Ring - Batt. Term.

For: Nippondenso 2.7kW OSGR Starters
Used On: (2006-03) Dodge; Bobcat
Unit Nos: Chrysler 5086932AA; Nippondenso 228000-581, 428000-119,
Lester Nos: 17462, 17892
WAI Ref. Nos: 2-2214-ND, 2-2455-ND
Dim: 23mm ID x 27mm OD x 1.4mm W
Note: Included in 79-82108 contact kit



72-82400

Insulator - Terminal (Ext.)

For: Nippondenso 1.0kW, 1.2kW, 1.4kW, 1.6kW, 1.8kW, 2.0kW OSGR Starters
Dim: 11.5mm ID
Note: Without step, used w/ 72-82409 insulator



72-82402

Insulator - Terminal (Ext.)

For: Nippondenso 1.0kW, 1.4kW OSGR Starters
Lester Nos: 16236, 16248, 16578, 16585, 16586, 16760
WAI Ref. Nos: 2-1025-ND, 2-1026-ND, 2-1029-ND, 2-1439-ND
Dim: 8mm ID
Note: With step



72-82409

Insulator - Terminal (Int.)

For: Nippondenso 1.0kW, 1.2kW, 1.4kW, 1.6kW, 1.8kW, 2.0kW OSGR Starters
Dim: 8mm ID
Note: Used w/ 72-82400 or 72-82415 external insulators



72-82410

Insulator - Terminal (Ext.)

For: Nippondenso 1.4kW, 2.0kW, 2.5kW, 3.0kW, 4.5kW, 5.5kW OSGR Starters
Used On: (2000-81) Chevrolet, Dodge, Toyota; Case, Caterpillar, Cummins, GMC Truck, Isuzu Truck, John Deere, Teledyne Continental, Toyota Lift Truck, White, Yanmar
Lester Nos: 16614, 16656, 16658, 16824, 16830, 16881, 16967, 16981, 16990, 17100, 17215, 17302, 17362, 17391, 17548
Dim: 13.6mm ID
Note: Used w/ 72-82411, 72-82412 internal insulators

STARTER - SOLENOID PARTS (66-)

NIPPONDENSO (cont'd.)



72-82411

Insulator - Terminal (Int.)

For: Nippondenso 1.4kW, 2.0kW OSGR Starters

Used On: Caterpillar, Teledyne Continental

Unit Nos: Nippondenso 028000-823, 028000-838, 028000-982, 028000-983, 128000-059, 128000-104, 128000-105, 128000-177, 128000-296, 128000-297, 128000-559, 128000-687

Lester Nos: 17100

WAI Ref. Nos: 2-1737-ND, 2-2046-ND, 2-2047-ND, 2-2055-ND, 2-2131-ND

Dim: 10mm ID

Note: Used w/ 72-82410 external insulator



72-82412

Insulator - Terminal (Int.)

For: Nippondenso 2.5kW, 2.7kW, 3.0kW, 4.5kW, 5.5kW OSGR Starters

Lester Nos: 16614, 16656, 16658, 16824, 16830, 16881, 16967, 16981, 16990, 17215, 17302, 17362, 17391, 17548

WAI Ref. Nos: 2-1037-ND, 2-1047-ND, 2-1397-ND, 2-1526-ND, 2-1726-ND, 2-1730-ND, 2-1731-ND, 2-1739-ND, 2-1745-ND, 2-1750-ND, 2-1751-ND, 2-1752-ND, 2-1753-ND, 2-1754-ND, 2-2104-ND, 2-2105-ND, 2-2106-ND, 2-2122-ND

Dim: 10mm ID

Note: Used in 66-8211, 66-8213, 66-8214, 66-8215, 66-8216 solenoids. Included in 79-82108, 79-82500 contact kits.



72-82413

Insulator - Terminal (Ext.)

For: Nippondenso 2.5kW, 3.0kW, 4.5kW, 5.5kW OSGR Starters

Lester Nos: 16658, 16824, 16830, 16881, 16990, 17215, 17302, 17391

WAI Ref. Nos: 2-1037-ND, 2-1047-ND, 2-1397-ND, 2-1526-ND, 2-1726-ND, 2-1745-ND, 2-1751-ND, 2-1753-ND, 2-2104-ND, 2-2105-ND, 2-2106-ND

Dim: 13.5mm ID

Note: Used in 66-8211, 66-8213, 66-8214, 66-8215, 66-8216 solenoids.

Used w/ 72-82412 internal insulator. Included in 79-82500 contact kit.



72-82415

Insulator - Terminal (Ext.)

For: Nippondenso 1.0kW, 1.2kW, 1.4kW, 1.6kW, 1.8kW, 2.0kW OSGR Starters

Used On: (2005-93) Chevrolet, Geo, Lexus, Toyota

Unit Nos: Nippondenso 228000-082, -083, -090, -110, -156, -162, -196, -231, -250, -252, -257, -261, -273, -274, -275, -284, -285, -289, -294, -296, -304, -321, -326, -328, -374, -375, -408, -409, -530, -567, -568, -617, -627, -628, -631, -666, -703, -740

Lester Nos: 17485, 17493, 17495, 17519, 17520, 17521, 17523, 17524, 17525, 17529, 17530, 17531, 17532, 17533, 17534, 17535, 17536, 17537, 17666, 17668, 17672, 17687, 17700, 17706, 17707, 17715, 17716, 17727, 17737, 17747, 17774, 17777, 17791

Dim: 9mm ID

Note: Used w/ 72-82409 internal insulator



72-82417

Insulator - Terminal (Ext.)

For: Nippondenso 2.7kW OSGR Starters

Used On: (2006-03) Dodge; Bobcat

Unit Nos: Chrysler 5086932AA;

Nippondenso 228000-581, 428000-119

Lester Nos: 17462, 17892

WAI Ref. Nos: 2-2214-ND, 2-2455-ND

Dim: 13.5mm ID

Note: Included in 79-82108 contact kit



76-82251

Mounting Bracket - Solenoid Coil

For: Nippondenso OSGR Starters

Lester Nos: 16831, 878, 888; 17020, 170, 197, 202, 204, 216, 240, 242, 256, 259, 263, 273, 285, 400, 423, 424, 460, 464, 465, 466, 481, 485, 487, 493, 516, 517, 519, 524, 526, 529, 530, 531, 532, 534, 535, 536, 537, 546, 549, 562, 570, 571, 579, 584, 687, 707, 715, 716, 735

Note: Used with 66-82458, 66-82459 solenoid coils.

Used in 66-82462, 66-82463 solenoid coil kits.

Features:

- Designed and tool by WAI
- Install solenoid coil with screws and nuts. No pressing or crimping required!



76-82551

Relay Terminal

For: Nippondenso 1.0kW, 1.4kW OSGR Starters

Used On: (1980-74) Honda, Toyota; Caterpillar

Unit Nos: Nippondenso 028000-402, 028000-424, 028000-425, 028000-455, 028000-494, 028000-662, 028000-823

Lester Nos: 16248, 16251, 16578, 16585, 16760, 17100

WAI Ref. Nos: 2-1008-ND, 2-1025-ND, 2-1026-ND, 2-1439-ND, 2-1737-ND

Dim: M4 x 0.7 Thd. Holes

Note: Used w/ 66-82754 relay contact.



76-82552

Switch Terminal

For: Nippondenso 1.0kW, 1.2kW, 1.4kW, 2.0kW OSGR Starters

Used On: (1993-72) Chevrolet, Geo, GMC, Honda, Isuzu, Toyota; Kubota, Thermo King, Toyota Lift Truck

Lester Nos: 16236, 16251, 16578, 16586, 16600, 16736, 16739, 16746, 16760, 16822, 16878, 17202, 17204, 17421, 17457

WAI Ref. Nos: 2-1007-ND, 2-1008-ND, 2-1026-ND, 2-1029-ND, 2-1046-ND, 2-1193-ND, 2-1195-ND, 2-1198-ND, 2-1200-ND, 2-1202-ND, 2-1203-ND, 2-1415-ND, 2-1416-ND, 2-1439-ND, 2-1744-ND

Dim: M4 x 0.7 Thd. Hole

Note: Fits in 9mm dia. hole in solenoid case.



76-82554

Switch Terminal

For: Nippondenso 1.0kW, 1.2kW, 1.4kW, 1.6kW, 2.0kW OSGR Starters

Used On: (2002-72) Chevrolet, Chrysler, Dodge, Geo, Honda, Isuzu, Lexus, Plymouth, Subaru, Toyota; Carrier, Ford New Holland, Harley-Davidson, Hyster, Kubota, Thermo King

(cont'd.)

(cont'd.)

Lester Nos: 16236, 248, 578, 585, 586, 612, 674, 676, 696, 730, 737, 758, 759, 760, 761, 763, 786, 790, 802, 821, 823, 825, 826, 827, 828, 829, 833, 834, 835, 837, 878, 891, 892, 893, 895, 978, 979; 17002, 003, 117, 125, 143, 155, 169, 170, 171, 189, 251, 254, 255, 256, 420, 422, 483, 487, 525, 546, 619

Note: High profile type



76-82555

Switch Terminal

For: Nippondenso 2.5kW, 5.5kW OSGR Starters

Used On: Case, John Deere, Toyota Lift Truck

Unit Nos: Nippondenso 028000-588, 028000-840, 128000-256

Lester Nos: 16658, 17362, 17391

WAI Ref. Nos: 2-1726-ND, 2-1750-ND, 2-1751-ND

Dim: M4 x 0.7 Thd. Hole

Note: Includes screw. Fits in 11mm dia. hole in solenoid case.

Similar to 76-82575 except 76-82575 has M5 x 0.8 thd. hole.



76-82559

Switch Terminal

For: Nippondenso 1.0kW, 1.2kW, 1.4kW OSGR Starters

Used On: (1990-86) Chrysler, Dodge, Plymouth

Unit Nos: Nippondenso 128000-257, 128000-258, 128000-350, 128000-496, 128000-527, 128000-528, 128000-567, 128000-632, 128000-650, 228000-219

Lester Nos: 16849, 17007, 17020, 17084

WAI Ref. Nos: 2-1383-ND, 2-1385-ND, 2-1394-ND

Dim: M4 x 0.7 Post

Note: Similar to 76-82572 except 76-82572 has M5 x 0.8 post



76-82561

Switch Terminal

For: Nippondenso 1.0kW, 1.2kW, 1.4kW, 1.6kW OSGR Starters

Used On: (2005-83) Acura, Daihatsu, Honda, Sterling

Unit Nos: Nippondenso 028000-770, 028000-799, 028000-800, 028000-867, 028000-932, 128000-013, 128000-028, 128000-030, 128000-219, 128000-283, 128000-508, 128000-564, 128000-708, 128000-721, 128000-746, 128000-747, 128000-771, 128000-777, 128000-784, 128000-975, 228000-021, 228000-022, 228000-205, 228000-206, 228000-226, 228000-399, 228000-465, 228000-642, 228000-720

Lester Nos: 16600, 16736, 16746, 16800, 16839, 16884, 16905, 16906, 16913, 16960, 17050, 17264, 17265, 17273, 17274, 17285, 17297, 17298, 17464, 17494, 17516, 17517, 17526, 17584



76-82564

Switch Terminal

For: Nippondenso 1.4kW OSGR Starters

Used On: (1996-90) Chevrolet, Chrysler, Dodge, Plymouth

Unit Nos: Delco 10455703, 10455709; Nippondenso 128000-750, 128000-781, 128000-803, 128000-811, 228000-180

Lester Nos: 17020, 17216, 17466, 17549, 17579

WAI Ref. Nos: 2-1393-ND, 2-1398-ND, 2-1442-ND, 2-1459-ND, 2-1717-ND

Dim: M4 x 0.7 Post

STARTER - SOLENOID PARTS (66-)

NIPPONDENSO (cont'd.)



76-82565

Switch Terminal

For: Nippondenso 1.2kW, 1.4kW OSGR Starters

Used On: (2002-90) Chrysler, Dodge, Eagle, Geo, Honda, Isuzu, Lexus, Plymouth, Toyota

Unit Nos: Nippondenso 128000-701, 128000-714, 128000-739, 128000-756, 128000-821, 128000-822, 128000-835, 128000-836, 128000-840, 128000-845, 128000-930, 128000-938, 128000-952, 128000-971, 128000-972, 128000-973, 228000-036, 228000-047, 228000-089, 228000-099, 228000-104, 228000-170, 228000-255, 228000-284, 228000-301, 228000-302, 228000-303, 228000-437, 228000-439, 228000-611

Lester Nos: 16831, 16878, 17197, 17240, 17256, 17259, 17263, 17400, 17423, 17424, 17460, 17465, 17481, 17524, 17562, 17570, 17571, 17735

WAI Ref. Nos: 2-1070-ND, 2-1073-ND, 2-1197-ND, 2-1382-ND, 2-1404-ND, 2-1405-ND, 2-1527-ND, 2-1530-ND, 2-1585-ND, 2-1614-ND, 2-1695-ND, 2-1710-ND, 2-1786-ND, 2-1821-ND, 2-1823-ND, 2-1931-ND, 2-1943-ND

Features:

- Universal-designed coil-wire connection allows more switch terminal positions



76-82570

Switch Terminal

For: Nippondenso 3.0kW OSGR Starters

Used On: (1993-89) Dodge

Unit Nos: Nippondenso 128000-491

Lester Nos: 17215

WAI Ref. Nos: 2-1397-ND

Dim: M5 x 0.8 Post



76-82571

Switch Terminal

For: Nippondenso 1.0kW, 1.2kW, 1.4kW, 1.6kW, 1.8kW, 2.0kW OSGR Starters

Used On: (2005-93) Geo, Lexus, Toyota

Unit Nos: Nippondenso 228000-082, -083, -090, -110, -156, -162, -169, -196, -231, -250, -252, -261, -273, -274, -275, -289, -294, -296, -304, -321, -326, -328, -375, -408, -409, -430, -432, -433, -530, -567, -568, -617, -627, -628

Lester Nos: 17485, 17493, 17495, 17519, 17520, 17521, 17523, 17529, 17530, 17531, 17532, 17533, 17534, 17535, 17536, 17537, 17581, 17666, 17672, 17681, 17682, 17687, 17706, 17707, 17715, 17716, 17774, 17777

Note: Can be used to replace 76-82576

Features:

- Universal-designed coil-wire connection allows more switch terminal positions



76-82572

Switch Terminal

For: Nippondenso 1.4kW OSGR Starters

Used On: (1992-87) Cadillac, Chevrolet

Unit Nos: Delco 1998538, 1998578, 10455003, 10455702; Nippondenso 128000-318, 128000-495

Lester Nos: 17083, 17091

WAI Ref. Nos: 2-1409-ND, 2-1410-ND

Dim: M5 x 0.8 Post

Note: Similar to 76-82559 except 76-82559 has M4 x 0.7 post



76-82574

Switch Terminal

For: Nippondenso 1.2, 1.4, 2.0kW OSGR Starters

Used On: (2005-90) Subaru; Bobcat, Kubota

Unit Nos: Nippondenso 128000-831, 128000-832, 228000-066, 228000-100, 228000-102, 228000-108, 228000-184, 228000-492, 228000-695, 228000-713, 228000-714

Lester Nos: 17170, 17242, 18140, 18142, 18144, 18277

WAI Ref. Nos: 2-1215-ND, 2-1216-ND, 2-2107-ND



76-82575

Switch Terminal

For: Nippondenso 2.5kW, 3.0kW, 4.5kW OSGR Starters

Used On: (1991-81) Chevrolet, Toyota; Case, Cummins, GMC Truck, Isuzu Truck, John Deere, Teledyne Continental, Toyota Lift Truck, Yanmar

Lester Nos: 16614, 16656, 16824, 16830, 16881, 16990

WAI Ref. Nos: 2-1037-ND, 2-1047-ND, 2-1526-ND, 2-1745-ND, 2-1752-ND, 2-1753-ND, 2-1754-ND, 2-2104-ND, 2-2105-ND, 2-2106-ND, 2-2122-ND

Dim: M5 x 0.8 Thd. Hole

Note: Fits in 11mm dia. hole in solenoid case.

Similar to 76-82555 except 76-82555 has M4 x 0.7 thd. Hole.



76-82576

Switch Terminal

For: Nippondenso 1.2kW, 1.4kW, 1.8kW OSGR Starters

Used On: (2000-93) Geo, Lexus, Toyota

Unit Nos: Nippondenso 228000-082, 228000-083, 228000-090, 228000-196, 228000-250, 228000-294, 228000-296, 228000-304, 228000-321, 228000-328

Lester Nos: 17519, 17529, 17531, 17532, 17534, 17535, 17536, 17687

WAI Ref. Nos: 2-1586-ND, 2-1696-ND, 2-1697-ND, 2-1698-ND, 2-1699-ND, 2-1700-ND, 2-1704-ND, 2-1834-ND

Note: For universal design use 76-82571 switch terminal



76-82578

Switch Terminal

For: Nippondenso 1.4kW OSGR Starters

Used On: (1998-96) Dodge

Unit Nos: Nippondenso 228000-339, 228000-340

Lester Nos: 17573, 17574

WAI Ref. Nos: 2-1807-ND, 2-1822-ND

Dim: M5 x 0.8 Post



76-82579

Switch Terminal

For: Nippondenso OSGR Starters
Used On: (2003-99) Dodge
Unit Nos: Chrysler 56027702AB, AC;
 Nippondenso, 228000-742,
Lester Nos: 17785
WAI Ref. Nos: 2-1981-ND



76-82601

Switch Term. Lead - Solenoid

For: Nippondenso 1.2kW, 1.4kW OSGR Starters
Used On: (1993-89) Geo, Isuzu
Unit Nos: Nippondenso 128000-569, 128000-699, 128000-700, 128000-712, 128000-878, 228000-041, 228000-071
Lester Nos: 17202, 17204, 17421, 17457
WAI Ref. Nos: 2-1198-ND, 2-1200-ND, 2-1202-ND, 2-1203-ND



79-82101

Repair Kit - Plunger Assy.

For: Nippondenso 1.0kW, 1.2kW, 1.4kW, 1.6kW, 1.8kW, 2.0kW OSGR Starters
Note: For repairing plunger assys. w/ 3mm hole
Components:
 66-82760 Retainer
 84-3917 Stainless Steel Rivet
Features:
 • Allows movable contact to be reattached after being flipped or replaced



79-82102

Repair Kit - Plunger Assy.

For: Nippondenso 1.0kW, 1.2kW, 1.4kW, 2.5kW, 3.0kW, 4.5kW, 5.5kW OSGR Starters
Note: For repairing plunger assys. w/ 5mm hole
Components:
 66-82765 Retainer
 84-3921 Stainless Steel Rivet
Features:
 • Allows movable contact to be reattached after being flipped or replaced



79-82108

Contact Kit - Battery

For: Nippondenso 2.7kW OSGR Starters
Used On: Bobcat
Unit Nos: Nippondenso 228000-581
Lester Nos: 17462
WAI Ref. Nos: 2-2214-ND
Components:
 66-82356 Terminal Post
 66-82777 Stationary Contact
 71-82516 O-Ring
 71-82518 O-Ring
 72-82412 Insulator
 72-82417 Insulator
 85-2507 Nut
 85-4505 Washer



79-82500

Contact Kit - Battery

For: Nippondenso 2.5kW, 4.5kW OSGR Starters
Used On: (1986-81) Toyota; Allis-Chalmers, Case, Cummins, Hino, Isuzu, Komatsu, Versatile
Unit Nos: Nippondenso 028000-530, -553, -556, -557, -620, -641, -664, -687, -688, -724, -745, -754, -781, -807, -856, -977; 128000-021, -054, -055, -056, -100, -101, -227, -248, -312, -509, -530, -950, -997; 228000-062, -195
Lester Nos: 16824, 16830, 16990
WAI Ref. Nos: 2-1037-ND, 2-1047-ND, 2-1526-ND, 2-2104-ND, 2-2105-ND, 2-2106-ND
Components:
 66-82353 Terminal Post, Battery
 66-82770 Stationary Contact, Battery
 72-82412 Insulator, Terminal Post Internal
 72-82413 Insulator, Terminal Post External
 85-2504 Nut
 85-4503 Washer

SPECIALTY

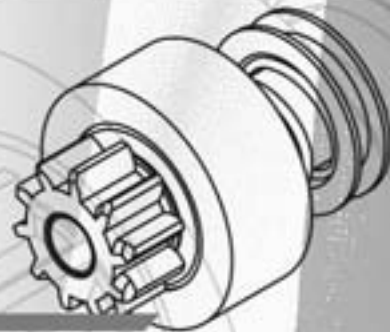


76-7550

Conversion Terminal - Solenoid

Note: Converts solenoids w/ male spade terminal to screw-on terminal (6-32 thd.)

STARTER DRIVE



WAI OFFERS TWO LINES OF 100% NEW STARTER DRIVES



- Accurate Premium Drives
- WAI Best Value Drives

**Accurate & WAI
Interchange Guide
is Featured on Page 701**

**WAI BEST VALUE - 100% NEW AT REBUILT PRICES
CONSISTENT PERFORMANCE - EXCELLENT VALUE**

Drives have been installed on starters and endurance tested for over 15,000 cycles, WITH NO FAILURES!

Pinion gears were 100% analyzed by magnetic particle inspection for fractures, WITH NO DEFECTS!



Critical dimensions, including static and engaged pinion positions, and pinion chamfer meet OE specifications, to ensure long pinion life, and smooth meshing with the flywheel.

Drive bodies, rollers and gears meet OE specifications for hardness (55-65 Rockwell B) and depth of hardening, so they last.



Rollers and drive bodies were tested for smooth operation, before and after field tests, WITH NO DEFECTS!

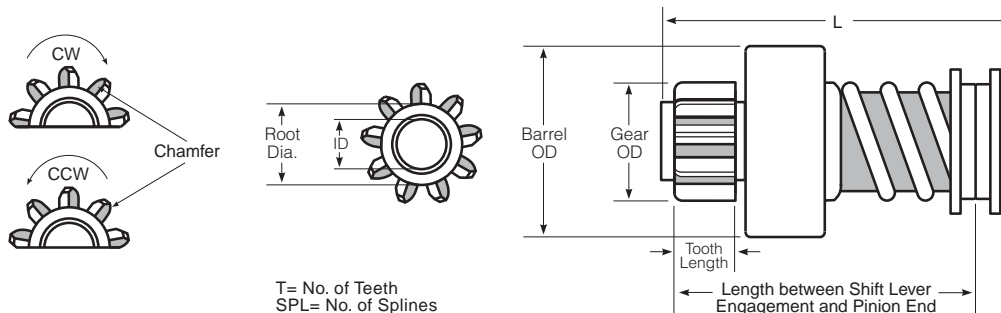
100% cosmetic inspection ensures drives are free of nicks and burrs, and fit right, right out of the box.



Springs were tested for tension, before and after field tests, WITH NO DEFECTS!

STARTER - STARTER DRIVES (4- ACCURATE, 54- WAI)

STARTER DRIVE REFERENCE CHART



Rotation	T	ID (mm)	Gear OD	L (mm)	SPL	Electrical System	Series	Notes	Accurate	Best Value
CCW	8	-	28.0	94	10	HI	OSGR		4-910	54-8138-1
		12.0	28.0	56	4	MD, MI	DD		4-778	-
				77	8	MI	PMGR		4-1017	54-8338-1
		12.5	25.0	82	5	ND	DD		4-922	-
			28.0	75	10	HI	PMGR		4-858	-
		28.0		82	10	HI	DD, PMDD		4-750	-
	9		11.0	25.5	62	10	BO	DD		4-346
		64			10	BO	DD		4-400	-
		74			10	BO	DD		4-679	-
		29.0	53	5	ND	DD		-	54-8242-1	
			75	5	ND	DD		4-1106	54-8244-1	
				-	-	-	-	-	-	54-8243-1
		12.0	25.5	56	10	BO	PMGR		4-1014	54-9167-1
				59	10	BO	PMGR, PMDD		4-816	-
			29.0	95	3	DR	10MT		4-823	-
				62	5	HI	DD		4-209LH	-
			29.5	54	10	BO	PMGR		4-1093	-
				68	10	BO	DD		-	54-9194
	14.3	29.0	54	10	BO	PMGR		4-1120	-	
			71	8	MI	DD		4-1066	54-8337-1	
			91	10	BO	DD		4-974	54-9183-1	
	16.0	29.0	96	3	DR	10MT		4-267	-	
			57	4	LU	DD		4-632	-	
	10	12.0	28.0	80	10	BO	PMGR		4-1119	-
				83	16	BO	PMGR		-	54-9197
33.0			59	10	BO	PMGR		4-1067	-	
12.5		32.0	75	10	HI	PMGR		4-596	54-8152-5	
12.8		40.0	61	4	MI	DD		4-700	-	
15.9	40.0	132			DR, FD, PL	-	Screw Type	4-121C	-	
11	12.5	34.0	76	10	HI	PMGR		-	54-8156	
	12.8	34.0	73	8	MI	DD		4-699	-	
	15.9	56.5	120	19	DR	40MT, 42MT, 50MT	Pos. Engagement	4-497	54-125-2	
	19.0	56.5	118	19	DR	50MT	Pos. Engagement	-	54-129	
12	12.0	36.5	76	8	MI	PMGR		4-760	-	
	14.3	46.5	97	3	DR	30-35MT	Ratchet Clutch	4-494	-	
						Spragg Clutch	4-294	-		
13		40.5	115			ND	OSGR		4-1097	54-8218
	14.3	47.0	96	3	DR	10MT		4-1087	-	
14	15.9	49.0	133			DR, PL	-	Screw Type	4-131C	-
21	-	60.0	78	10	HI	OSGR		-	54-8111	
25	-	70.5	76	10	HI	OSGR		4-911	-	

STARTER - STARTER DRIVES

STARTER - STARTER DRIVES (4- ACCURATE, 54- WAI)

Rotation	T	ID (mm)	Gear OD	L (mm)	SPL	Electrical System	Series	Notes	Accurate	Best Value		
CW	8	11.0	-	28.0	87	10	HI	OSGR		4-896	-	
			27.0	54	10	BO	PMGR		4-1032	54-9160-1		
			28.0	53	5	ND	PLGR		-	54-8234-1		
		12.0	27.0	47	10	BO	PMGR		-	54-91115-3		
				28.0	51	8	MD, MI	PMGR		4-756	54-8313-1	
			55		8	MD, MI	DD, PMDD		4-627	54-8306-1		
			71		4	MI	DD		4-1065	-		
			76		8	MI	PMGR		4-949	-		
			28.5	64	8	MI	PMGR		4-881	-		
		12.5	28.0	38	10	HI	PMGR		4-1084	54-8153-3		
				49	10	HI	PMGR		4-1096	-		
				50	10	HI	PMGR		-	54-8134-1		
				60	10	HI	DD		4-692	54-8101-1		
				82	5	ND	DD		4-814	-		
		12.8	28.0	61	8	MI	DD		4-616	54-8304-1		
		9	-	29.0	25.0	87	10	HI	OSGR		4-798C	54-8141-5
					83	-	ND	OSGR		4-1036	54-8235-1	
					87	10	HI	OSGR		4-678	54-8104-5	
					99	18	MT	OSGR		4-769	-	
					100	-	ND	OSGR		-	54-8202-1	
				31.5	102	-	ND	OSGR		-	54-8209-1	
				32.5	87	10	HI	OSGR		4-905	-	
				35.5	87	10	HI	OSGR		4-899	-	
				10.7	29.5	77	8	MI	PMGR		4-882	54-8325-1
						78	8	MI	PMGR		4-1015	54-8327-1
	11.0		25.5	59	10	BO	PMGR		4-737	-		
				64	10	BO	DD		4-818	-		
			29.0	53	5	ND	PLGR		4-681	-		
				82	5	ND	DD		4-872	54-8232-5		
				82	5	ND	DD		4-869	-		
	12.0		24.5	76	4	FD	4-1/2		4-341B	-		
				49	10	BO	PMGR		-	54-91103		
			51		10	BO	PMGR		-	54-9195		
			64	6	DR	PG100/150		4-319	54-152-1			
				10	BO	DD		4-413	-			
			25.0	69	3	DR	5MT		4-305	54-100		
									4-308	-		
								Cushioned Pinion	4-308C	-		
				4-307	54-135-5							
				70	4	FD	4		4-352	54-202-5		
				71	10	BO	DD		4-684	-		
			72	3	FD	4-1/2		4-340	-			
			25.5	73	10	BO	DD		4-614	-		
								4-304	-			
				80	3	DR	10MT		Cushioned Pinion	4-210B	-	
								5MT, 10MT	4-213	54-101-2		
				45	6	DR	PG260		4-377	54-157-1		
				47	6	DR	PG260		-	54-173		
	51		5	VA	PMGR		4-1020	-				
	59		10	BO	PMGR		4-822	-				
	25.5	61	6	DR	PG260		4-376	54-156-1				
						4-345	54-9129-1					
		64	10	BO	DD		4-854	-				
		65	10	BO	DD		4-415	-				
	68	3	DR	PG200/250		4-320	54-140-5					

STARTER - STARTER DRIVES

CW

9

STARTER - STARTER DRIVES (4- ACCURATE, 54- WAI)

Rotation	T	ID (mm)	Gear OD	L (mm)	SPL	Electrical System	Series	Notes	Accurate	Best Value	
CW	9	12.0	25.5	68	6	DR	PG200/250		4-321	54-141-5	
				69	3	DR	SD210/260		4-324	54-149-5	
					10	BO	DD		4-358	-	
					72	3	DR	SD205/255		4-601	-
				76	10	HI	DD		-	54-167-5	
				78	3	BO	DD		4-380	54-166-5	
				108	10	BO	DD		4-908	-	
			26.0	59	10	BO	PMGR		-	54-91109	
							DD, PMGR		4-742	54-9140-2	
			29.0	47	6	DR	PG260		-	54-175	
				51	10	BO	PMGR		-	54-91101	
				64	10	BO	DD		4-611	-	
				68	10	BO	DD		4-839	-	
				70	4	FD	OSGR		4-602	-	
				72	4	FD	4-1/2		4-354	-	
				29.5	48	12	FD	PMGR		4-236	-
					51	8	MI	PMGR		4-356	54-214-1
					56	8	MI	DD		4-877	-
					59	10	BO	PMGR		4-876	54-8319-1
				30.0	47	10	BO	PMGR		4-817	-
				34.0	64	10	BO	DD		-	54-91113-3
		82	10		ND	DD		4-856	-		
								4-857	-		
		12.5	25.5	80	10	ND	DD		4-691	-	
			29.0	62	10	HI	DD		4-740	-	
									4-619	-	
			29.5	49	10	HI	PMGR		4-621	-	
				64	10	ND	DD		4-912	-	
				66	5	HI	PMGR		4-417	54-8208-1	
				77	10	HI	DD		4-1083	-	
									4-1046	-	
				78	5	HI	PMGR		4-901	-	
				82	5	ND	DD		4-906	-	
			86	10	ND	DD		4-649	54-8207-1		
		12.7	25.0	72	4	FD	4, 4-1/2		4-416	54-8205-1	
								-	54-204-5		
								4-242	-		
		12.8	29.5	61	4	MI	DD		4-615	54-8305-1	
		13.0	29.0	62	10	HI	DD		4-421	-	
			29.5	86	12	DR	28MT	26mm Clutch Br. L	4-336	-	
			35.5	72	12	NK	OSGR		4-1061	-	
		14.0	32.5	69	12	HI	DD		4-734	-	
			34.0	86	12	DR	28MT	26mm Clutch Br. L	4-335	-	
			34.5	67	12	HI	DD		4-897	-	
				77	6	EP	DD		4-830	-	
			35.5	69	12	HI	DD, OSGR		4-694	54-8100-1	
				80	12	NK	DD		4-1011	-	
		14.3	25.5	99	10	BO	DD		4-1121	-	
			29.0	97	3	DR	10MT-35MT		4-221	-	
									Dbl. Roller Clutch	4-457	54-109-1
			29.5	95	6	DR			4-212	-	
			34.0	91	10	BO	DD		4-673	54-9108-1	
								4-675	54-9123-2		

STARTER - STARTER DRIVES

STARTER - STARTER DRIVES (4- ACCURATE, 54- WAI)

Rotation	T	ID (mm)	Gear OD	L (mm)	SPL	Electrical System	Series	Notes	Accurate	Best Value				
CW	9	14.3	34.5	74	10	BO	DD		4-674	54-9121-1				
				77	6	MM	DD		4-626	-				
				78	6	MM	DD		4-1122	-				
				91	10	BO	DD		4-841	-				
			35.0	74	10	BO	DD		4-850	-				
			36.0	74	10	BO	DD		4-860	54-9199				
		-	28.0	83	-	ND	OSGR		4-1045	54-8226-3				
		-	33.0	83	-	ND	OSGR		4-1035	-				
		11.8	33.0	51	8	MI	PMGR		4-1016	54-8336-1				
		12.0	26.5	59	10	BO	DD		4-741	-				
	68				10	BO	DD		4-610	-				
	72				4	FD	4		4-353B	-				
	27.0		48	12	FD	PMGR		4-359	54-216-1					
			64	10	BO	DD		4-344	-					
	27.5		59	10	BO	PMGR		4-827	-					
								4-828	-					
	28.0		48	12	FD	PMGR		4-355	54-212-2					
							51	8	MI	PMGR		4-1058	54-8335-5	
												4-758	54-8315-1	
	31.5		51	8	MI	PMGR		4-757	54-8314-1					
							33.0	58	10	BO	PMGR		-	54-91114-3
	64		8	MI	PMGR							-	54-8341	
						12.7	33.0	77	3	FD	4-1/2		4-238	-
	13.0		32.0	86	12	DR	28MT		26mm Clutch Brl. L	4-362	-			
	14.0		32.0	86	12	DR	28MT		26mm Clutch Brl. L	4-327	54-8406-1			
									32mm Clutch Brl. L	4-364	54-8411-5			
										4-820	-			
	40.0		86	12	DR	28MT		26mm Clutch Brl. L	4-328	-				
								32mm Clutch Brl. L	4-361	-				
	14.3		32.0	81	3	DR	20-27MT			4-348	-			
								91	10	BO	DD		4-743	54-9114-2
													4-929	54-9150-2
								97	3	DR	10MT-35MT	Sgl. Roller Clutch	4-291	54-138-2
			Spragg Clutch	4-302	-									
			106	6	LN			4-325	-					
								4-1041	54-9184-1					
			39.0	91	10	BO	DD		4-838	54-9153-1				
									4-1068	54-9190-2				
		39.5	97	3	DR	10MT-35MT	Dbl. Roller Clutch	D54-479	54-113-1					
							Ratchet Clutch	4-479VN	-					
							Sgl. Roller Clutch	4-310	54-137-2					
	Spragg Clutch						4-279	-						
	Dbl. Roller Clutch						4-337-DR	54-131-5						
	Ratchet Clutch						D54-337P	-						
	40.0	91	10	BO	DD		4-666	-						
							4-837	54-9151-1						
								4-1080	-					
	15.9	39.5	102	19	DR	37MT	Pos. Engagement	4-1080	-					
	17.0	40.0	70	3	LU	DD	17° Helix	4-641	-					
							32° Helix	4-683	-					
				12	LU	DD	17° Helix	4-642	54-9202-2					
							32° Helix	4-768	54-9213-5					
			73	3	LU	DD		4-766	-					
							12	LU	DD	17° Helix	4-807	-		
			32° Helix	4-670	-									

STARTER - STARTER DRIVES

CW

STARTER - STARTER DRIVES (4- ACCURATE, 54- WAI)

Rotation	T	ID (mm)	Gear OD	L (mm)	SPL	Electrical System	Series	Notes	Accurate	Best Value				
CW	10	17.0	40.0	100	12	LU	DD	17° Helix	4-810	54-9204-5				
								32° Helix	4-931	-				
				102	4	ND	DD		4-682	-				
				104	18	ND	DD		4-1057	54-8237-1				
				109	4	ND	DD		4-1038	-				
	11	-	29.5	83		ND	OSGR		4-1034	-				
				102		ND	OSGR		4-788	-				
			40.0	146	16	ND	OSGR		-	54-8241				
		10.9	35.5	64	10	BO	PLGR		4-1070	54-9192-1				
		12.0	29.5	47	6	DR	PG260		-	54-174				
									4-378	54-168-1				
				61	6	DR	PG260		4-375	54-155-1				
					64	10	BO	DD		4-1044	-			
				34.5	47	6	FD	PMGR		-	54-218			
				35.0	64	16	BO	PLGR		4-1151	-			
		12.5	34.5	62	5	HI	DD		4-902	-				
		12.8	34.5	61	8	MI	DD		4-745	54-8300-5				
		14.0	40.5	75	12	HI	DD		4-1091	-				
			35.5	74	10	BO	DD		4-934	54-9179-1				
		14.3	40.5	91	10	BO	DD		4-835	54-9109-1				
									4-842	-				
		15.0	40.5	84	12	NK	OSGR		4-1059	-				
		15.9	56.5	120	19	DR	40MT, 42MT, 50MT	Pos. Engagement	4-486	54-123-3				
									57.0	102	19	DR	41MT	Pos. Engagement
		17.0	39.0	73	12	LU	DD	32° Helix	4-808	-				
									56.5	119	18	ND	DD	
		18.0	40.5	98	8	HI	DD		4-1094	-				
		19.0	56.5	118	19	LN, PL			4-488-118	-				
									120	19	BO, DR	-	Pos. Engagement	4-488
		-	37.0	115			FD	OSGR		-	54-217			
		12.0	32.0	48	12	FD	PMGR		4-357	54-215-1				
		14.0	46.5	86	12	DR	28MT	26mm Clutch Brl. L	4-329	54-8407-1				
									32mm Clutch Brl. L	4-363	-			
		14.3	46.0	97	3	DR	10MT-35MT	DbL. Roller Clutch	D54-482	54-112-4				
								Ratchet Clutch	4-482VN	-				
	Spragg Clutch							4-282	-					
	100			3	DR	37MT	DbL. Roller Clutch	4-338-DR	-					
							Ratchet Clutch	D54-338P	-					
							Sgl. Roller Clutch	4-338	54-132-5					
	15.9	45.5	168	19	DR	50MT	Pos. Engagement	4-311VN	-					
							46.0	102	19	DR	41MT	Pos. Engagement	4-487	54-153
							46.5	120	19	DR	40MT, 42MT, 50MT	Pos. Engagement	4-489	54-124-3
	17.0	46.0	102	4	ND	DD		4-851	-					
	19.0	46.5	120	19	BO, LN, PL	-	Pos. Engagement	4-472	54-118-2					
	13	-	39.5	146	-	ND	OSGR		-	54-8227				
		15.9	49.5	120	19	DR	40MT, 42MT	Pos. Engagement	4-492	-				
		17.0	40.0	100	10	MI	OSGR		4-701	54-8303-5				
				109	10	MI	OSGR		4-777	54-8320-5				
			45.5	73	12	LU	DD	32° Helix	4-671	-				
														4-1111
			48.0	118	10	MI	OSGR			4-1113	-			
										120	-	MI	OSGR	
			56.0	110	10	MI	OSGR		4-1112	-				
		19.0	49.5	118	19	LN, PL	-	Pos. Engagement	4-465	-				
	15	12.5	44.0	62	10	HI	DD		4-900	-				
		14.0	44.0	70	12	HI	OSGR		4-925	-				
	16	12.0	21.5	118	19	LN	-		4-1088	-				

STARTER - STARTER DRIVES

STARTER - STARTER DRIVES (4- ACCURATE, 54- WAI)

PINION REFERENCE CHART

Rotation	Teeth	ID (mm)	Gear OD	L (mm)	Electrical System	Series	Notes	Accurate	Best Value
CCW	8	28.0	94.0	10	HI	OSGR		4-910PS	-
	9	29.0	23.5	18	ND	OSGR		-	54-82208
			25.0	18	ND	OSGR		4-1099	54-82217-1
	11	40.0	36.0	16	ND	OSGR		4-1101	-
		56.5	45.0	-	DR	40MT, 42MT, 50MT	15-Ratchet	497006	54-1207-2
	13	40.0	22.0	6	HI	PMGR		-	54-81211
		40.5	23.5	18	ND	OSGR		4-1098	54-82216-5
		41.0	23.5	18	ND	OSGR		4-746	54-82207
21	60.0	78.0	10	HI	OSGR		-	54-81207	
25	70.5	76.0	10	HI	OSGR		-	54-81208	
CW	8	28.0	87.0	10	HI	OSGR		4-727	-
	9	25.0	25.0	10	HI	OSGR		4-798	54-81201-5
			23.5	18	ND	OSGR		4-725	54-82201-5
			25.0	18	ND	OSGR		4-1099	54-82217-1
		29.0	41.0	18	MT	OSGR		4-769P	-
			87.0	10	HI	OSGR		4-738	54-81200-5
			32.5	23.5	18	ND	OSGR		4-749
		32.5	87.0	10	HI	OSGR		4-905PS	54-81204-1
				33.5	23.5	18	ND	OSGR	
		34.5	61.0	-	BO	DD		4-795	-
		35.5	36.0	16	ND	OSGR		4-802	-
			87.0	10	HI	OSGR		4-899PS	-
		10	27.5	15.0	18	FD	PMGR		4-1052
	28.0		25.0	18	ND	OSGR		4-1001	54-82215-5
	33.0		25.0	18	ND	OSGR		4-791	-
	39.0		20.0	20	MI	OSGR		-	54-83222
	40.0		18.0	20	MI	OSGR		-	54-83201
			24.0	23	DR	38MT		-	54-1215
	44.5		-	DR	37MT		337022	-	
	40.5		36.0	16	ND	OSGR		4-800	-
	11	29.5	-	-	DR	PG260		-	54-1214
			25.0	18	ND	OSGR		4-748	54-82203-1
		33.5	23.5	18	ND	OSGR		4-1056	-
		34.0	17.5	18	MI	OSGR		4-784	-
			19.0	18	MI	OSGR		4-783	-
		40.0	40.0	16	ND	OSGR		4-801	-
			34.5	19.0	18	MI	DD		4-1109
		40.0	36.0	16	ND	OSGR		4-803	-
		40.5	61.0	-	BO	DD		4-796	-
		41.5	18.5	20	MI	OSGR		4-939	-
			23.5	18	ND	OSGR		-	54-82214
			40.0	16	ND	OSGR		-	54-82221
			56.0	26.0	23	DR	39MT		-
		56.5	45.0	-	DR	40MT, 42MT, 50MT	15-Ratchet	486009	54-1202
		12	32.0	15.0	18	FD	PMGR		4-1051
	37.0		16.0	20	MI	PLGR		4-1030P	54-83218-5
	43.5		26.0	23	DR	39MT		-	54-1216
	46.0		26.0	23	DR	38MT, 39MT		-	54-1218-5
	46.5		45.0	-	DR	40MT, 42MT, 50MT	15-Ratchet	472009	-
							17-Ratchet	472006	54-1205-2
	13	39.5	36.0	16	ND	OSGR		4-771	54-82202-1
		49.5	45.0	-	DR	40MT, 42MT	15-Ratchet	492009	-
		51.0	18.5	20	MI	OSGR		-	54-83221
	15	44.0	23.5	18	ND	OSGR		-	54-82213

STARTER - STARTER DRIVES

STARTER - STARTER DRIVES (4- ACCURATE, 54- WAI)

BOSCH

8-T, CW



4-1032 **54-9160-1**
Accurate Best Value
Starter Drive
8-T, CW, 10-SPL

For: Bosch 107 Series PMGR Starters
Used On: (2000-95) Chrysler, Dodge, Eagle, Mitsubishi, Plymouth
Replaces: Bosch 1-006-209-613
Unit Nos: Bosch 0-001-107-031, 0-001-107-032, 0-001-107-049, 9-007-045-009, 9-007-045-018
Lester Nos: 17560, 17563, 17572, 17736
WAI Ref. Nos: 2-1519-BO, 2-1681-BO, 2-1937-BO
Dim: 11mm ID, 27mm Gear OD, 54mm L
Components:
62-91410 Bushing



54-91115-3
Starter Drive
8-T, CW, 10-SPL

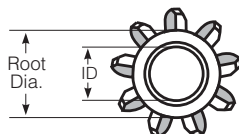
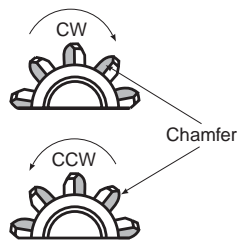
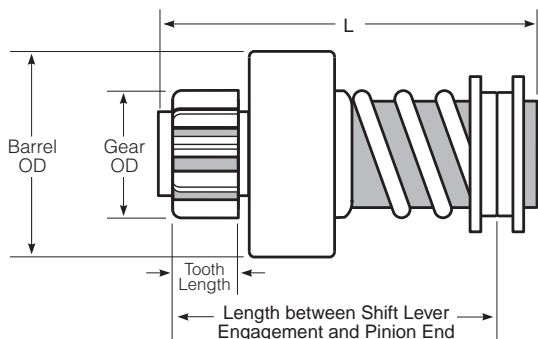
For: Bosch PMGR Starters
Used On: Mexico Applications
Replaces: Bosch 6-004-AH5-018
Unit Nos: Bosch 6-004-AA0-003
Dim: 12mm ID, 27mm Gear OD, 47mm L
Features:
• Best Value
• 100% New at rebuilt prices

9-T, CW



4-345 **54-9129-1**
Accurate Best Value
Starter Drive
9-T, CW, 10-SPL

For: Bosch 157, 208, 211, 311, 314 Series DD Starters
Used On: (1990-70) Alfa Romeo, Audi, BMW, Dodge, Fiat, Mercedes, Mercury, Opel, Peugeot, Plymouth, Porsche, Saab, Volvo
Replaces: BMW 12-41-1-268-370; Bosch 1-006-209-404, -410, -414, -416, -427, -447, -462, -471; 9-001-082-340; Ford 76EB-11350-AA, 77AB-11350-BA, 77EB-11350-AA, -BA; 79VB-11350-AA; Mercedes 000-151-71-13; Saab 83-32-934; Volvo 1266673, 243909
Unit Nos: Bosch 0-001-157-024, -025, -028; 0-001-208-200, -201, -202, -206, -208, -209, -211, -216, -224, -404, -405; 0-001-211-207, -229, -242; 0-001-311-101, -103, -104, -105, -107, -108, -109, -110, -112, -114, -118, -120, -121, -122, -124, -125, -126, -127, -131, -136, -137, -139, -140, -141, -142, -143, -147, -151; 0-001-314-018; 9-000-082-033
Lester Nos: 16299, 16353, 16360, 16414, 16416, 16417, 16443, 16462, 16531, 16534, 16538, 16539, 16550, 16557, 16619, 16683, 16781, 16954, 17031, 17162
WAI Ref. Nos: 2-1255-BO, 2-1256-BO, 2-1261-BO, 2-1272-BO, 2-1282-BO, 2-1285-BO, 2-1286-BO, 2-1288-BO, 2-1293-BO, 2-1295-BO, 2-1312-BO, 2-1317-BO, 2-1319-BO, 2-1320-BO, 2-1342-BO, 2-1343-BO, 2-1396-BO
Dim: 12mm ID, 25.5mm Gear OD, 64mm L
Note: With splines inset 3.5mm from end of drive.
Similar to 4-854 (54-9147) except 4-854 has splines flush to end of drive.
Components:
62-91411 Bushing



T= No. of Teeth
SPL= No. of Splines

STARTER - STARTER DRIVES (4- ACCURATE, 54- WAI)

BOSCH

9-T, CW (cont'd.)



4-413
(Ref# 54-9101)
Starter Drive
9-T, CW, 10-SPL

For: Bosch 208, 211, 314 Series DD Starters
Used On: (1983-73) Audi, Mercury, VW
Replaces: Bosch 1-006-209-400, -412, -417
Lester Nos: 16401, 16414, 16443, 16539, 16622, 16623, 16781
WAI Ref. Nos: 2-1256-BO, 2-1312-BO, 2-1343-BO, 2-1350-BO, 2-1355-BO
Dim: 12mm ID, 25mm Gear OD, 64mm L
Features:
• Accurate



4-415
(Ref# 54-9130)
Starter Drive
9-T, CW, 10-SPL

For: Bosch 313, 314 Series DD Starters
Used On: (1987-73) Mercedes
Replaces: Bosch 1-006-209-080, -402
Unit Nos: Bosch 0-001-313-003, 0-001-313-005, 0-001-313-006, 0-001-313-007, 0-001-314-002, 0-001-314-005
Lester Nos: 16299, 16543
WAI Ref. Nos: 2-1271-BO, 2-1272-BO
Dim: 12mm ID, 25.5mm Gear OD, 65mm L
Features:
• Accurate



4-601
(Ref# 54-9126)
Starter Drive
9-T, CW, 10-SPL

For: Bosch 207, 209, 211, 310, 311, 313 Series DD Starters
Used On: (1977-70) Audi, Mercury, Opel, Saab
Replaces: Bosch 1-006-209-101, -127
Unit Nos: Bosch 0-001-207-010; 0-001-208-001, -003, -009, -011, -023, -025, -026, -029, -030, -033, -036, -037, -038, -039, -046, -047, -050, -056, -058, -059, -061; 0-001-209-002, -008, -012; 0-001-211-006, -010, -018; 0-001-310-016, -017; 0-001-311-001, -013, -023, -024, -026, -027, -028, -029, -030, -031, -032, -033, -034, -037, -039; 0-001-313-001
Lester Nos: 16299, 16332, 16360, 16367, 16412, 16414, 16443, 16539
WAI Ref. Nos: 2-1256-BO, 2-1272-BO, 2-1282-BO, 2-1285-BO, 2-1312-BO, 2-1342-BO, 2-1427-BO
Dim: 12mm ID, 25.5mm Gear OD, 69mm L
Features:
• Accurate



4-602
(Ref# 54-9127)
Starter Drive
9-T, CW, 10-SPL

For: Bosch 207, 208, 209, 310, 311 Series DD Starters
Used On: (1979-70) BMW
Replaces: Bosch 1-006-209-105, 1-006-209-110, 1-006-209-140
Unit Nos: Bosch 0-001-207-003, 0-001-207-014, 0-001-208-004, 0-001-208-032, 0-001-209-001, 0-001-209-006, 0-001-209-014, 0-001-214-001, 0-001-310-005, 0-001-310-010, 0-001-310-013, 0-001-311-016, 0-001-311-025, 0-001-311-045
Lester Nos: 16320, 16334, 16336, 16344, 16354, 16356, 16362, 16442, 16687
WAI Ref. Nos: 2-1259-BO
Dim: 12mm ID, 29mm Gear OD, 68mm L
Features:
• Accurate



4-608
(Ref# 54-9136)
Starter Drive
9-T, CW, 10-SPL

For: Bosch 212, 312 Series DD Starters
Used On: (1995-75) Fiat, Mercedes, Porsche, VW
Replaces: Bosch 1-006-209-451
Unit Nos: Bosch 0-001-212-206, -207, -210, -400, -401; 0-001-312-101, -102, -103, -105, -106, -107, -111
Lester Nos: 16544, 16548, 16609, 16747, 17122
WAI Ref. Nos: 2-1273-BO, 2-1316-BO, 2-1344-BO, 2-1351-BO, 2-1368-BO, 2-1934-BO
Dim: 12mm ID, 25.5mm Gear OD, 108mm L
Features:
• Accurate



4-611
(Ref# 54-9182)
Starter Drive
9-T, CW, 10-SPL

For: Bosch 311, 314 Series DD Starters
Used On: (1979-75) BMW
Replaces: Bosch 1-006-209-081, 1-006-209-444
Unit Nos: Bosch 0-001-311-042, 0-001-314-001
Lester Nos: 16362
WAI Ref. Nos: 2-1259-BO
Dim: 12mm ID, 29mm Gear OD, 64mm L
Features:
• Accurate

STARTER - STARTER DRIVES (4- ACCURATE, 54- WAI)



4-681
(Ref# 54-9102)
Starter Drive
9-T, CW, 10-SPL

For: Bosch 208 Series DD Starters
Used On: (1986-81) Chrysler, Dodge, Plymouth
Replaces: Bosch 1-006-209-475, 1-006-209-477
Unit Nos: Bosch 0-001-208-407, 0-001-208-413, 0-001-208-420, 0-001-208-421
Lester Nos: 16727, 16974, 17015
WAI Ref. Nos: 2-1380-BO, 2-1384-BO
Dim: 11mm ID, 25.5mm Gear OD, 64mm L
Components:
62-91410 Bushing
Features:
• Accurate



4-737
(Ref# 54-9144)
Starter Drive
9-T, CW, 10-SPL

For: Bosch 108 Series PMGR Starters
Used On: (1989-86) Chrysler, Dodge, Plymouth
Replaces: Bosch 1-006-209-527
Unit Nos: Bosch 0-001-108-013, 0-001-108-032, 0-001-108-045, 0-001-108-046, 0-001-108-066
Lester Nos: 16962, 16963, 16976, 17218
WAI Ref. Nos: 2-1385-BO, 2-1387-BO, 2-2027-BO
Dim: 11mm ID, 25.5mm Gear OD, 59mm L
Note: 49mm from shift lever buttons to end of pinion.
Similar to 4-818 (54-9159) except 4-818 is 54mm from shift lever buttons to end of pinion.
Components:
62-91410 Bushing
Features:
• Accurate



4-742 **54-9140-2**
Accurate Best Value
Starter Drive
9-T, CW, 10-SPL

For: Bosch 108, 110 Series PMGR; 114 Series PMDD; 208, 211 Series DD Starters
Used On: (2002-81) Alfa Romeo, Audi, BMW, Cadillac, Eagle, Jeep, Mercedes, Merkur, Peugeot, Pontiac, Renault, Saab, VW, Volvo
Replaces: Bosch 1-006-209-503, -504, -506, -509, -526, -530, -536, -570, -572, -573
Lester Nos: 16282, 16401, 16408, 16797, 16956, 16980, 17011, 17013, 17039, 17124, 17135, 17139, 17140, 17157, 17163, 17164, 17165, 17225, 17226, 17233, 17406, 17407, 17408, 17413, 17508, 17576, 17699, 17720
Dim: 12mm ID, 26mm Gear OD, 59mm L
Components:
62-91411 Bushing



4-817
(Ref# 54-9161)
Starter Drive
9-T, CW, 10-SPL

For: Bosch 108, 110 Series PMGR Starters
Used On: (1997-87) BMW, Jaguar
Replaces: Bosch 1-006-209-534, -547, -554
Unit Nos: Bosch 0-001-107-033, 0-001-108-042, 0-001-108-054, 0-001-108-063, 0-001-108-065, 0-001-108-115, 0-001-108-145, 0-001-110-011, 0-001-110-041, 0-001-110-111
Lester Nos: 17148, 17149, 17236, 17237, 17690
WAI Ref. Nos: 2-1266-BO, 2-1267-BO, 2-1269-BO, 2-1337-BO, 2-1911-BO
Dim: 12mm ID, 29.5mm Gear OD, 59mm L
Note: 49mm from shift lever button to end of pinion
Components:
62-91411 Bushing
Features:
• Accurate



4-818
(Ref# 54-9159)
Starter Drive
9-T, CW, 10-SPL

For: Bosch 108 Series PMGR Starters
Used On: (1996-87) Chrysler, Dodge, Plymouth
Replaces: Bosch 1-006-209-561
Unit Nos: Bosch 0-001-108-068, 0-001-108-069, 0-001-108-070, 0-001-108-103, 0-001-108-104, 0-001-108-105, 0-001-108-134, 0-001-108-135
Lester Nos: 16962, 16963, 17210
WAI Ref. Nos: 2-1385-BO, 2-1386-BO, 2-1387-BO, 2-1394-BO
Dim: 11mm ID, 25.5mm Gear OD, 59mm L
Note: 54mm from shift-lever buttons to end of pinion.
Similar to 4-737 (54-9144) except 4-737 is 49mm from shift-lever buttons to end of pinion.
Components:
62-91410 Bushing
Features:
• Accurate



4-822
(Ref# 54-9165)
Starter Drive
9-T, CW, 10-SPL

For: Bosch 108 Series PMGR Starters
Used On: (1999-90) Jeep, Saab
Replaces: Bosch 1-006-209-564
Unit Nos: Bosch 0-001-108-091, 0-001-108-092, 0-001-108-151, 0-001-108-154
Lester Nos: 16980, 17013, 17276, 17670
WAI Ref. Nos: 2-1231-BO, 2-1283-BO, 2-1284-BO, 2-1722-BO
Dim: 12mm ID, 25.5mm Gear OD, 59mm L
Components:
62-91411 Bushing
Features:
• Accurate

STARTER - STARTER DRIVES (4- ACCURATE, 54- WAI)

BOSCH

9-T, CW (cont'd.)



4-839
(Ref# 54-9154)
Starter Drive
9-T, CW, 10-SPL

For: Bosch 208, 311, 314 Series DD Starters

Used On: (1989-80) BMW

Replaces: Bosch 1-006-209-406, 1-006-209-466

Unit Nos: Bosch 0-001-208-204, 0-001-311-100, 0-001-311-150, 0-001-314-025, 0-001-314-045

Lester Nos: 16616, 16617

WAI Ref. Nos: 2-1258-BO, 2-1260-BO, 2-1264-BO, 2-1909-BO

Dim: 12mm ID, 29mm Gear OD, 64mm L

Components:

62-91411 Bushing

Features:

- Accurate



4-854
(Ref# 54-9147)
Starter Drive
9-T, CW, 10-SPL

For: Bosch 311, 314 Series DD Starters

Used On: (1985-84) Mercedes, Volvo

Replaces: Bosch 1-006-209-469, 1-006-209-470, 1-006-209-473

Unit Nos: Bosch 0-001-311-146, 0-001-314-027, 0-001-314-028, 0-001-314-029, 0-001-314-030, 0-001-314-036, 0-001-314-038

Lester Nos: 16543, 16954, 17043

WAI Ref. Nos: 2-1271-BO, 2-1275-BO, 2-1288-BO

Dim: 12mm ID, 25.5mm Gear OD, 64mm L

Note: With splines flush to end of drive. Similar to 4-345 (54-9129) except 4-345 has splines inset 3.5mm from end of drive.

Components:

62-91411 Bushing

Features:

- Accurate



4-856
(Ref# 54-9145)
Starter Drive
9-T, CW, 10-SPL

For: Bosch 314 Series DD Starters

Used On: KHD

Replaces: Bosch 1-006-209-418

Unit Nos: Bosch 0-001-314-010

WAI Ref. Nos: 2-1779-BO

Dim: 12mm ID, 34mm Gear OD, 64mm L

Note: 46mm barrel OD.

Similar to 4-857 (54-9146) except 4-857 has 53mm barrel OD.

Features:

- Accurate



4-857
(Ref# 54-9146)
Starter Drive
9-T, CW, 10-SPL

For: Bosch 314 Series DD Starters

Used On: Deutz, KHD

Replaces: Bosch 1-006-209-436

Unit Nos: Bosch 0-001-314-017

Dim: 12mm ID, 34mm Gear OD, 64mm L

Note: 53mm barrel OD.

Similar to 4-856 (54-9145) except 4-856 has 46mm barrel OD.

Features:

- Accurate



4-1121
(Ref# 54-9188)
Starter Drive
9-T, CW, 10-SPL

For: Bosch 215 Series DD Starters

Used On: Farymann, Gutbrod, Schanzlin

Replaces: Bosch 1-006-209-120

Unit Nos: Bosch 0-001-215-001

Dim: 14.3mm ID, 25.5mm Gear OD, 99mm L

Features:

- Accurate



54-9195
Starter Drive
9-T, CW, 10-SPL

For: Bosch PMGR Starters

Used On: (2006-95) Audi, Mercedes, Saab, Saturn, Volvo, VW

Replaces: Bosch 1-006-209-618, -638, -667

Unit Nos: Bosch 0-001-107-037, -068, -072, -073, -074; 0-001-108-166, -167, -172, -174, -175; 0-001-115-002, -007; 6-004-AA2-003, -014

Lester Nos: 17508, 17730, 17751, 17753, 17756, 17760, 17778, 17789, 17858

WAI Ref. Nos: 2-1537-BO, 2-1764-BO, 2-1945-BO, 2-1973-BO, 2-1987-BO, 2-1995-BO, 2-2084-BO, 2-2115-BO

Dim: 12mm ID, 25mm Gear OD, 51mm L

Features:

- Best Value
- 100% New at rebuilt prices

STARTER - STARTER DRIVES (4- ACCURATE, 54- WAI)



54-91101
Starter Drive
9-T, CW, 10-SPL

For: Bosch PMGR Starters
Used On: (2003-96) BMW
Replaces: Bosch 1-006-209-634
Unit Nos: BMW 12-41-1-402-990, 12-41-1-740-374; Bosch 0-001-108-157, -169
Lester Nos: 17702
WAI Ref. Nos: 2-1997-BO
Dim: 12mm ID, 29mm Gear OD, 51mm L
Features:

- Best Value
- 100% New at rebuilt prices



54-91103
Starter Drive
9-T, CW, 10-SPL

For: Bosch PMGR Starters
Used On: (2005-98) Mercedes, Saab
Replaces: Bosch 1-006-209-624
Unit Nos: Bosch 0-001-108-171, -184; 0-001-115-006; Mercedes 005-151-01-01, 112-151-01-01; Saab, 46-11-497, 46-12-388, 46-70-428, 49-66-842
Lester Nos: 17782
WAI Ref. Nos: 2-1977-BO
Dim: 12mm ID, 25mm Gear OD, 49mm L
Features:

- Best Value
- 100% New at rebuilt prices



54-91109
Starter Drive
9-T, CW, 10-SPL

For: Bosch PMGR Starters
Used On: Ford, VW (Brazil, Mexico)
Replaces: Bosch 9-001-081-052, F-000-AL1-705
Unit Nos: Bosch 9-000-081-006, 9-000-081-007, F-010-AL0-103
Dim: 12mm ID, 26mm Gear OD, 59mm L
Features:

- Best Value
- 100% New at rebuilt prices



54-91113-3
Starter Drive
9-T, CW, 10-SPL

For: Bosch PMGR Starters
Used On: Fiat, Lancia, Nissan, Toyota (Non-USA)
Replaces: Bosch 1-006-209-607, 1-006-209-675, F-000-AL1-200, F-000-AL1-250, F-000-AL1-695
Unit Nos: Bosch 0-001-107-030, -066, -078, -079; 0-001-108-181, F-000-AL-102
Dim: 12mm ID, 30mm Gear OD, 47mm L
Features:

- Best Value
- 100% New at rebuilt prices

9-T, CW (358-369 Series)



4-614
(Ref# 54-9103)
Starter Drive
9-T, CW, 10-SPL

For: Bosch 362 Series DD Starters
Used On: Mercedes
Replaces: Bosch 2-006-209-331
Unit Nos: Bosch 0-001-362-001, 0-001-362-002, 0-001-362-003, 0-001-362-004, 0-001-362-027, 0-001-362-028, 0-001-362-029, 0-001-362-030
Lester Nos: 16445, 16615
WAI Ref. Nos: 2-1270-BO
Dim: 12mm ID, 25mm Gear OD, 73mm L
Features:

- Accurate



4-673 **54-9108-1**
Accurate Best Value
Starter Drive
9-T, CW, 10-SPL

For: Bosch 358, 359, 360, 364, 365 Series DD Starters
Used On: Deutz, Iveco, Magirus, Mercedes-Benz Truck
Replaces: Bosch 2-006-209-341, -422, -436; 9-001-083-436
Unit Nos: Bosch 0-001-358-048, -049; 0-001-359-012, -013, -014, -025, -027, -031, -032, -038, -043, -044, -051, -055, -057, -062, -071, -072, -073, -074, -083, -084, -087, -089, -091, -097, -100, -101, -111, -113, -118, -119; 0-001-360-004, -008, -010, -012, -017, -018, -019, -022, -023, -024, -025, -027, -030, -031, -032, -034, -035, -036, -037, -038, -039, -040, -045, -047, -049, -056, -057, -061, -065; 0-001-364-100, -105; 0-001-365-004; 9-000-083-027, -028, -031, -036, -045, -054
Dim: 14.3mm ID, 34mm Gear OD, 91mm L
Note: With splines inset 14mm from end of drive, 22mm root dia.
 Similar to 4-675 (54-9123) except 4-675 has splines flush to end of drive.

STARTER - STARTER DRIVES

STARTER - STARTER DRIVES (4- ACCURATE, 54- WAI)

BOSCH

9-T, CW (358-369 Series) (cont'd.)



4-674 **54-9121-1**
Accurate Best Value
Starter Drive
9-T, CW, 10-SPL

For: Bosch 362, 363, 366 Series DD Starters

Used On: Alfa Romeo, Deutz, KHD, Mercedes, Renault

Replaces: Bosch 2-006-209-469, 2-006-209-476

Unit Nos: Bosch 0-001-354-092; 0-001-362-034, -036, -040, -041, -046, -050, -053, -072, -074, -075, -076, -305, -308, -314; 0-001-363-107, -109, -112, -113, -115; 0-001-366-001, -002, -004, -009, -014, -015, -017, -020, -022; 0-001-369-014

Lester Nos: 16445; 17075, 105, 112, 159; 18026, 027

WAI Ref. Nos: 2-1889-BO, 2-1908-BO

Dim: 14.3mm ID, 34.5mm Gear OD, 74mm L



4-675 **54-9123-2**
Accurate Best Value
Starter Drive
9-T, CW, 10-SPL

For: Bosch 362, 363, 366, 367, 368 Series DD Starters

Used On: Deutz, Fiat, IHC, Iveco, KHD, Magirus, Renault, Scania, Volvo White-GMC Truck

Replaces: Bosch 2-006-209-492, -530; IHC 3079178R91; KHD 1308752, 42487785; Mercedes 000-151-88-13; Volvo 1696543, 6211932

Unit Nos: Bosch 0-001-362-051, -063, -096, -300, -306; 0-001-363-116; 0-001-366-018, -021; 0-001-367-001, -004, -005, -007, -010, -011, -012, -014, -021, -023, -026, -027, -030, -031, -033, -034, -039, -045, -046, -050, -052; 0-001-368-001, -002, -003, -005, -006, -007, -008, -010, -011, -012, -013, -014, -017, -018, -021, -022, -024, -028, -030, -031, -032, -035, -055, -063, -301, -303 (cont'd.)

(cont'd.)

Lester Nos: 16560; 17073, 074, 106, 127, 136, 184, 228, 320; 18032, 229, 237, 250, 371

WAI Ref. Nos: 2-2284-BO, 2-2297-BO

Dim: 14.3mm ID, 34mm Gear OD, 91mm L

Note: With splines flush to end of drive, 22mm root dia.

Similar to 4-673 (54-9108) except 4-673 has splines inset 14mm from end of drive.

Similar to 4-841 (54-9110) except 4-841 has 34.5mm gear OD and 24mm root dia.



4-684
(Ref# 54-9118)
Starter Drive
9-T, CW, 10-SPL

For: Bosch 362, 369 Series DD Starters

Used On: (1985-74) Audi, Mercedes, Volvo (Diesel)

Replaces: Bosch 2-006-209-471, 2-006-209-500

Unit Nos: Bosch 0-001-362-038, -047, -069, -070, -077, -078, -083, -600, -601, -605; 0-001-369-004; 9-000-143-408

Lester Nos: 16445, 16615, 16949, 16957, 16999

WAI Ref. Nos: 2-1270-BO, 2-1277-BO, 2-1287-BO

Dim: 12mm ID, 25mm Gear OD, 71mm L

Features:

- Accurate



4-841
(Ref# 54-9110)
Starter Drive
9-T, CW, 10-SPL

For: Bosch 367, 368 Series DD Starters

Used On: Iveco, Magirus

Replaces: Bosch 2-006-209-426

Unit Nos: Bosch 0-001-367-028, 0-001-367-029, 0-001-368-019, 0-001-368-020

(cont'd.)

(cont'd.)

Dim: 14.3mm ID, 34.5mm Gear OD, 91mm L

Note: With splines flush to end of drive, 24mm root dia.

Similar to 4-673 (54-9108) except 4-673 has 34mm gear OD and 22mm root dia.

Features:

- Accurate



4-850
(Ref# 54-9117)
Starter Drive
9-T, CW, 10-SPL

For: Bosch 362 Series DD Starters

Used On: Fiat-Allis, Iveco, Ravo Corp Sweeper

Replaces: Bosch 2-006-209-470; Fiat 79026090, 9937949, 9956676, 9983629

Unit Nos: Bosch 0-001-362-039, 0-001-362-062, 0-001-362-073, 0-001-362-322, 0-001-363-111

Lester Nos: 17093, 18031, 18461

Dim: 14.3mm ID, 35mm Gear OD, 74mm L

Features:

- Accurate



4-860 **54-9199**
Accurate Best Value
Starter Drive
9-T, CW, 10-SPL

For: Bosch 362 Series DD Starters

Used On: (1981-74) Peugeot (Diesel)

Replaces: Bosch 2-006-209-473, 2-006-209-481

Unit Nos: Bosch 0-001-362-045, 0-001-362-061, 0-001-362-079, 0-001-362-086, 0-001-362-806, 0-001-363-104

Lester Nos: 16715

WAI Ref. Nos: 2-1294-BO

Dim: 14.3mm ID, 36mm Gear OD, 74mm L

STARTER - STARTER DRIVES (4- ACCURATE, 54- WAI)

9-T, CCW



4-346

(Ref# 54-9100)

Starter Drive

9-T, CCW, 10-SPL

For: Bosch 208, 211, 314 Series DD Starters

Used On: (1991-76) Dodge, Plymouth, VW

Replaces: Bosch 1-006-209-424

Unit Nos: Bosch 0-001-208-403, 0-001-208-411, 0-001-208-412, 0-001-208-414, 0-001-208-415, 0-001-208-416, 0-001-208-417, 0-001-208-418, 0-001-208-419, 0-001-211-223, 0-001-211-224, 0-001-211-255, 0-001-211-256, 0-001-314-012, 0-001-314-013

Lester Nos: 16415, 16418, 16547, 16556, 17025, 17121

WAI Ref. Nos: 2-1352-BO, 2-1354-BO, 2-1366-BO, 2-1367-BO, 2-1395-BO

Dim: 11mm ID, 25.5mm Gear OD, 62mm L

Components:

62-91410 Bushing

Features:

- Accurate



4-400

(Ref# 54-9143)

Starter Drive

9-T, CCW, 10-SPL

For: Bosch 211 Series DD Starters

Used On: (1979-67) VW

Replaces: Bosch 1-006-209-431, 9-001-082-362

Unit Nos: Bosch 0-001-211-992, 0-001-211-993, 0-001-211-997, 0-001-211-998, 9-000-082-060

Lester Nos: 16446, 16450

WAI Ref. Nos: 2-1340-BO

Dim: 11mm ID, 25.5mm Gear OD, 62mm L

Components:

62-91410 Bushing

Features:

- Accurate



4-604

(Ref# 54-9133)

Starter Drive

9-T, CCW, 10-SPL

For: Bosch 208, 211 Series DD Starters

Used On: (1991-76) VW

Replaces: Bosch 1-006-209-423

Unit Nos: Bosch 0-001-208-425, -426, -428, -429; 0-001-211-221, -222, -251, -253, -254

Lester Nos: 16546, 16722, 17066

WAI Ref. Nos: 2-1353-BO, 2-1359-BO, 2-1371-BO, 2-1449-BO

Dim: 11mm ID, 25.5mm Gear OD, 74mm L

Components:

62-91410 Bushing

Features:

- Accurate



4-679

(Ref# 54-9139)

Starter Drive

9-T, CCW, 10-SPL

For: Bosch 317 Series DD Starters

Used On: (1984-81) VW

Replaces: Bosch 1-006-209-501

Unit Nos: Bosch 0-001-317-009, 0-001-317-010, 0-001-317-018, 0-001-317-019

Lester Nos: 16556, 16726

WAI Ref. Nos: 2-1358-BO

Dim: 11mm ID, 25.5mm Gear OD, 64mm L

Components:

62-91410 Bushing

Features:

- Accurate



4-816

(Ref# 54-9163)

Starter Drive

9-T, CCW, 10-SPL

For: Bosch 108 Series PMGR Starters

Used On: (1991-86) Porsche

Replaces: Bosch 1-006-209-535

Unit Nos: Bosch 0-001-108-021

Lester Nos: 17023

WAI Ref. Nos: 2-1346-BO

Dim: 12mm ID, 25.5mm Gear OD, 59mm L

Note: Without debris shield

Components:

62-91411 Bushing

Features:

- Accurate



4-823

(Ref# 54-9168)

Starter Drive

9-T, CCW, 10-SPL

For: Bosch 108 Series PMGR, 114 Series PMDD Starters

Used On: (1993-87) VW

Replaces: Bosch 1-006-209-576, -921

Unit Nos: Bosch 0-001-108-094, 0-001-108-095, 0-001-112-003, 0-001-114-005, 0-001-114-006

Lester Nos: 17062, 17134, 17222

WAI Ref. Nos: 2-1372-BO, 2-1373-BO

Dim: 12mm ID, 25.5mm Gear OD, 59mm L

Components:

62-91411 Bushing

Features:

- Accurate

STARTER - STARTER DRIVES (4- ACCURATE, 54- WAI)

BOSCH

9-T, CCW (cont'd.)



4-974 **54-9183-1**
Accurate Best Value

Starter Drive

9-T, CCW, 10-SPL

For: Bosch 367 Series DD Starters
Replaces: Bosch 2-006-209-434
Unit Nos: Bosch 0-001-367-061
Dim: 14.3mm ID, 29mm Gear OD, 91mm L



4-1014 **54-9167-1**
Accurate Best Value

Starter Drive

9-T, CCW, 10-SPL

For: Bosch 107 Series PMGR Starters
Used On: (2001-91) VW
Replaces: Bosch 1-006-209-916
Unit Nos: Bosch 0-001-107-007, 0-001-107-008, 0-001-107-020, 0-001-107-021
Lester Nos: 17222, 17415
WAI Ref. Nos: 2-1373-BO, 2-1534-BO
Dim: 12mm ID, 25.5mm Gear OD, 56mm L
Note: With debris shield
Components:
62-91411 Bushing



4-1120
(Ref# 54-9186)

Starter Drive

9-T, CCW, 10-SPL

For: Bosch 214 Series DD Starters (cont'd.)

(cont'd.)

Used On: Arona, Lombardini, Ruggerini
Replaces: Bosch 1-006-209-107
Unit Nos: Bosch 0-001-214-002
WAI Ref. Nos: 2-1902-BO
Dim: 12mm ID, 29.5mm Gear OD, 68mm L
Features:
• Accurate



54-9194
Starter Drive
9-T, CCW, 10-SPL

For: Bosch 107 Series PMGR Starters
Used On: Lombardini, Ruggerini Tractors
Replaces: Bosch 1-006-209-602
Unit Nos: Bosch 0-001-107-024
Lester Nos: 18473
WAI Ref. Nos: 2-1921-BO
Dim: 12mm ID, 29.5mm Gear OD, 54mm L
Features:
• Best Value
• 100% New at rebuilt prices

10-T, CW



4-344
(Ref# 54-9131)

Starter Drive

10-T, CW, 10-SPL

For: Bosch 208, 211, 311 Series DD Starters
Used On: (1980-78) Ford
Replaces: Bosch 1-006-209-429
Unit Nos: Bosch 0-001-208-220, 0-001-208-223, 0-001-211-227, 0-001-211-228, 0-001-311-113
Lester Nos: 16405, 16530, 16595
WAI Ref. Nos: 2-1248-BO, 2-1429-BO, 2-1430-BO
Dim: 12mm ID, 27mm Gear OD, 64mm L
Components:
62-91411 Bushing
Features:
• Accurate



4-610
(Ref# 54-9187)

Starter Drive

10-T, CW, 10-SPL

For: Bosch 311 Series DD Starters
Used On: (1974-72) Mercury
Replaces: Bosch 2-006-209-324
Unit Nos: Bosch 0-001-311-038, 0-001-311-048
Lester Nos: 16405
WAI Ref. Nos: 2-1429-BO
Dim: 12mm ID, 26.5mm Gear OD, 68mm L
Features:
• Accurate



4-741
(Ref# 54-9189)

Starter Drive

10-T, CW, 10-SPL

For: Bosch 211 Series DD Starters
Used On: Ford, Industrial Applications, Toro
Replaces: Bosch 1-006-209-510, -516
Unit Nos: Bosch 0-001-107-014, 0-001-107-028, 0-001-108-037, 0-001-108-040, 0-001-108-106, 0-001-113-009, 0-001-211-512, 0-001-211-513
Dim: 12mm ID, 26.5mm Gear OD, 59mm L
Note: 18.5mm root dia.
Similar to 4-827 (54-9156) except 4-827 has 27.5mm gear OD and 19.5mm root dia.
Similar to 4-828 (54-9157) except 4-828 has 27.5mm gear OD and 18.5mm root dia.
Features:
• Accurate

STARTER - STARTER DRIVES (4- ACCURATE, 54- WAI)



4-827
(Ref# 54-9156)
Starter Drive
10-T, CW, 10-SPL

For: Bosch 110 Series PMGR Starters
Used On: (1999-86) Mercedes
Replaces: Bosch 1-006-209-538, 1-006-209-539
Unit Nos: Bosch 0-001-110-016, -025, -026, -039, -053, -075, -091, -112, -113
Lester Nos: 17038, 17150, 17227, 17410, 17698
WAI Ref. Nos: 2-1279-BO, 2-1280-BO, 2-1281-BO, 2-1720-BO
Dim: 12mm ID, 27.5mm Gear OD, 59mm L
Note: 19.5mm root dia.
Similar to 4-828 (54-9157) except 4-828 has 18.5mm root dia.
Similar to 4-741 (54-9189) except 4-741 has 26.5mm gear OD & 18.5mm root dia.
Components:
62-91411 Bushing
Features:
• Accurate



4-828
(Ref# 54-9157)
Starter Drive
10-T, CW, 10-SPL

For: Bosch 110 Series PMGR Starters
Used On: (1989-88) Chrysler, Dodge, Plymouth
Replaces: Bosch 1-006-209-546
Unit Nos: Bosch 0-001-110-024
Lester Nos: 17047, 17082
WAI Ref. Nos: 2-1392-BO
Dim: 12mm ID, 27.5mm Gear OD, 59mm L
Note: 18.5mm root dia.
Similar to 4-827 (54-9156) except 4-827 has 19.5mm root dia.
Similar to 4-741 (54-9189) except 4-741 has 26.5mm gear OD.
Components:
62-91411 Bushing
Features:
• Accurate



54-91114-3
Starter Drive
10-T, CW, 10-SPL

For: Bosch PMGR Starters
Used On: Chrysler (Mexico)
Replaces: Bosch 9-008-047-011
Unit Nos: Bosch 6-004-AA3-009
Dim: 12mm ID, 33mm Gear OD, 58mm L
Features:
• Best Value
• 100% New at rebuilt prices

10-T, CW (358-369 Series)



4-666
(Ref# 54-9112)
Starter Drive
10-T, CW, 10-SPL

For: Bosch 359, 360 Series DD Starters
Used On: DAF, IHC, John Deere, Mack Truck, MAN, Renault, Volvo
Replaces: Bosch 2-006-209-345, -435
Unit Nos: Bosch 0-001-359-008, -020, -034, -045, -058, -064, -088, -095, -114, -117; 0-001-360-013, -020, -026, -044, -050, -058; 9-000-083-058, 059, -073
Dim: 14.3mm ID, 40mm Gear OD, 91mm L
Note: With splines inset 14mm from end of drive.
Similar to 4-837 (54-9151) except 4-837 has splines flush to end of drive.
Features:
• Accurate



4-743 **54-9114-2**
Accurate Best Value
Starter Drive
10-T, CW, 10-SPL

For: Bosch 359 Series DD Starters
Used On: John Deere, Mercedes Truck
Replaces: Bosch 2-006-209-200, -306, -346, -444; John Deere AL25275; Mercedes 000-151-99-13; Volvo 11995090, VW-Audi TRA-911-335
Unit Nos: Bosch 0-001-359-016, 0-001-359-090, 9-000-083-071; John Deere AR70436, AT23401
Lester Nos: 16563, 17309
WAI Ref. Nos: 2-2041-BO
Dim: 14.3mm ID, 32mm Gear OD, 91mm L
Note: Splines inset 23mm from end of drive.
Similar to 4-929 (54-9150) except 4-929 has splines flush to end of drive.



4-837 **54-9151-1**
Accurate Best Value
Starter Drive
10-T, CW, 10-SPL

For: Bosch 367, 368, 369 Series DD Starters
Used On: Caterpillar, IHC, JCB, Mack Truck, Renault
Replaces: Bosch 2-006-209-495
Unit Nos: Bosch 0-001-362-324, 0-001-367-002, 0-001-367-048, 0-001-367-070, 0-001-367-076, 0-001-368-023, 0-001-368-040, 0-001-368-068, 0-001-369-002, 0-001-369-003, 0-001-369-006
WAI Ref. Nos: 2-1980-BO
Dim: 14.3mm ID, 40mm Gear OD, 91mm L
Note: With splines flush to end of drive.
Shift lever groove center 78.5mm from pinion end.
Similar to 4-666 (54-9112) except 4-666 has splines inset 14mm from end of drive.
Similar to 4-1068 (54-9190) except 4-1068 shift lever groove center 75.5mm from pinion end.

STARTER - STARTER DRIVES (4- ACCURATE, 54- WAI)

BOSCH

10-T, CW (358-369 Series) (cont'd.)



4-838 **54-9153-1**
Accurate Best Value
Starter Drive
10-T, CW, 10-SPL

For: Bosch 362, 367, 368 Series DD Starters
Used On: Ford New Holland, Hanomag, IHC, John Deere
Replaces: Bosch 2-006-209-462, -499; Ford 82DB-11350-AA
Unit Nos: Bosch 0-001-362-093, -310; 0-001-367-006, -022, -042, -055, -056, -063, -069; 0-001-368-026, -027, -036, -038, -051; 0-001-369-015, -023, -200, -201
Lester Nos: 17077, 18024, 18034, 18254, 18387
WAI Ref. Nos: 2-2085-BO, 2-2298-BO, 2-2299-BO
Dim: 14.3mm ID, 39mm Gear OD, 91mm L
Note: With splines flush to end of drive.



4-929 **54-9150-2**
Accurate Best Value
Starter Drive
10-T, CW, 10-SPL

For: Bosch 362, 367, 369 Series DD Starters
Used On: John Deere
Replaces: Bosch 2-006-209-427, -459
Unit Nos: Bosch 0-001-362-312, 0-001-362-316, 0-001-362-321, 0-001-367-075, 0-001-367-078, 0-001-368-059, 0-001-369-001, 0-001-369-005, 0-001-369-022
WAI Ref. Nos: 2-1803-BO
Dim: 14.3mm ID, 32mm Gear OD, 91mm L
Note: With splines flush to end of drive. Similar to 4-743 (54-9114) except 4-743 has splines inset 23mm from end of drive.



4-1041 **54-9184-1**
Accurate Best Value
Starter Drive
10-T, CW, 10-SPL

For: Bosch 359, 360 Series DD Starters
Used On: Ford, Massey Ferguson
Replaces: Bosch 2-006-209-443, Ford 733F-11350-AA
Unit Nos: Bosch 0-001-359-067, 0-001-359-069, 0-001-359-081, 0-001-359-082, 0-001-359-104, 0-001-359-109, 0-001-359-110, 0-001-360-055
Dim: 14.3mm ID, 39mm Gear OD, 91mm L
Note: With splines inset 13mm from end of drive.



4-1068 **54-9190-2**
Accurate Best Value
Starter Drive
10-T, CW, 10-SPL

For: Bosch 367 Series DD Starters
Used On: Hyster
Replaces: Bosch 2-006-209-432
Unit Nos: Bosch 0-001-367-054
Lester Nos: 18035
Dim: 14.3mm ID, 40mm Gear OD, 91mm L
Note: With splines flush to end of drive. Shift lever groove center 75.5mm from pinion end. Similar to 4-837 (54-9151) except 4-837 shift lever groove center 78.5mm from pinion end.

10-T, CCW



4-1067
(Ref# 54-9180)
Starter Drive
10-T, CCW, 10-SPL

For: Bosch 110 Series PMGR Starters
Used On: Hatz Engine, Lamborghini Engine
Replaces: Bosch 1-006-209-551
Unit Nos: Bosch 0-001-110-033
Dim: 12mm ID, 33mm Gear OD, 59mm L
Features:
• Accurate



4-1119
(Ref# 54-9172)
Starter Drive
10-T, CCW, 10-SPL

For: Bosch 108, 110 Series PMGR Starters
Used On: (1999-90) VW
Replaces: Bosch 1-006-209-565, 1-006-209-911
Unit Nos: Bosch 0-001-108-076, 0-001-108-077, 0-001-110-086, 0-001-110-087, 0-001-110-118
Lester Nos: 17223, 17417
WAI Ref. Nos: 2-1374-BO, 2-1535-BO
Dim: 12mm ID, 28mm Gear OD, 80mm L
Note: 47mm barrel OD
Components:
62-91411 Bushing
Features:
• Accurate

STARTER - STARTER DRIVES (4- ACCURATE, 54- WAI)



54-9197
Starter Drive
10-T, CCW, 16-SPL

For: Bosch PMGR Starters
Used On: (2006-98) Audi, VW
Replaces: Bosch 1-006-209-680
Unit Nos: Bosch 0-001-121-008, -009
Lester Nos: 17780
WAI Ref. Nos: 2-1975-BO
Dim: 12mm ID, 28mm Gear OD, 83mm L
Features:

- Best Value
- 100% New at rebuilt prices

11-T, CW



4-488 **54-114-2**
 Accurate Best Value
Starter Drive
11-T, CW, 19-SPL
Positive Engagement

For: Bosch 420 Series; Delco 40MT Series DD Starters
Replaces: Bosch 2-006-202-001; Delco 1932031
Unit Nos: Bosch 0-001-420-002, -006, -007, -008, -010, -011; 0-001-421-007; Delco 1108822, 894, 895; 1109234, 237, 248, 823, 874, 891; 1113606, 612, 619, 741, 747, 751, 772, 773, 783, 784, 785, 803, 805, 807, 808, 815, 885; 1114041
Lester Nos: 3053, 3056, 3057, 3058, 3060, 3061, 3098, 3777, 3846, 3896, 3976, 4749, 4984, 5320, 18022, 18038
Dim: 19mm ID, 56.5mm Gear OD, 120mm L
Note: Similar to 4-488-118 (54-172) used on Leece-Neville, Prestolite except 4-488-118 is 118mm L



4-835 **54-9109-1**
 Accurate Best Value
Starter Drive
11-T, CW, 10-SPL

For: Bosch 362, 363, 366, 367, 368 Series DD Starters
Used On: BMW, Case, IHC, Massey Ferguson, VW
Replaces: Bosch 2-006-209-425, IHC 3079550R91
Unit Nos: Bosch 0-001-362-064, -301, -303, -304; 0-001-363-118; 0-001-366-008; 0-001-367-008, -009, -013, -015, -018, -024, -032, -043; 0-001-368-009, -015, -025, -039, -041, -046, -058, -071, -086; 0-001-816-220
Lester Nos: 16567, 17113, 17229, 18236
WAI Ref. Nos: 2-2042-BO
Dim: 14.3mm ID, 40.5mm Gear OD, 91mm L
Note: With splines flush to end of drive. Similar to 4-842 (54-9113) except 4-842 has splines inset 14mm from end of drive.



4-842
 (Ref# 54-9113)
Starter Drive
11-T, CW, 10-SPL

For: Bosch 359, 360, 364, 365 Series DD Starters
Used On: DAF, IHC, KHD, Volvo
Replaces: Bosch 2-006-209-423, -438, -440
Unit Nos: Bosch 0-001-359-053, -056, -060, -063, -070, -075, -076, -085, -092, -096, -098, -099, -106, -107, -108, -112, -124; 0-001-360-029, -033, -041, -053, -054; 0-001-364-101, -102, -103, -104; 0-001-365-006
Dim: 14.3mm ID, 40.5mm Gear OD, 91mm L
Note: With splines inset 14mm from end of drive. Similar to 4-835 (54-9109) except 4-835 has splines flush to end of drive.
Features:

- Accurate



4-934 **54-9179-1**
 Accurate Best Value
Starter Drive
11-T, CW, 10-SPL

For: Bosch 362 Series DD Starters
Used On: Deutz, Ditch Witch, Ingersoll-Rand, KHD
Replaces: Bosch 2-006-209-465
Unit Nos: Bosch 0-001-362-700, 0-001-362-701
Lester Nos: 17318
WAI Ref. Nos: 2-1925-BO
Dim: 14.3mm ID, 35.5mm Gear OD, 74mm L



4-1044
 (Ref# 54-9181)
Starter Drive
11-T, CW, 10-SPL

For: Bosch 317 Series DD Starters
Used On: Farymann
Replaces: Bosch 1-006-209-555
Unit Nos: Bosch 0-001-317-024
WAI Ref. Nos: 2-2017-BO
Dim: 12mm ID, 29.5mm Gear OD, 64mm L
Features:

- Accurate

STARTER - STARTER DRIVES (4- ACCURATE, 54- WAI)

BOSCH

11-T, CW (cont'd.)



4-1070

Accurate

54-9192-2

Best Value

Starter Drive

11-T, CW, 10-SPL

For: Bosch 218 Series PLGR Starters

Used On: Deutz, Ditch Witch

Replaces: Bosch 9-002-336-230

Unit Nos: Bosch 0-001-218-172, KHD 118-0180

Lester Nos: 18230

WAI Ref. Nos: 2-1946-BO

Dim: 10.9mm ID, 35.5mm Gear OD, 64mm L



4-1151

Starter Drive

11-T, CW, 16-SPL

For: Bosch 223 Series PLGR Starters

Used On: KHD

Replaces: Bosch 6-033-AD0-061, KHD 1319754

Unit Nos: Bosch 0-001-223-002, KHD 1180995

Lester Nos: 18230

WAI Ref. Nos: 2-2204-BO

Dim: 12mm ID, 35mm Gear OD, 64mm L

Features:

- Accurate

12-T, CW



4-472

Accurate

54-118-2

Best Value

Starter Drive

12-T, CW, 19-SPL

Positive Engagement

For: Bosch 420 Series; Delco 40MT

Series; Leece-Neville; Prestolite MES, MFJ, MFY Series DD Starters

Replaces: Bosch 2-006-202-000; Delco 1918866, 1921998, 1932605;

Leece-Neville 75249; Prestolite PD-7A

Unit Nos: Bosch 0-001-420-001, -003, -004, -005, -009, -012, -013, -014, -015;

0-001-421-003, -004; Delco 1108987; 1109158, 169, 170, 172, 178, 184, 229,

230, 233, 235, 236, 249, 801; 1113311, 313, 327, 337, 359, 602, 603, 605, 607,

617, 620, 621, 774, 775; 1114024, 036, 043, 044, 045;

Prestolite MFY-6201K, MFY-6401A, MFY-6401K

Dim: 19mm ID, 46.5mm Gear OD, 120mm L

(cont'd.)

-115, -117; 0-001-411-001, -002, -004, -005, -006, -007, -009, -010, -012 to -017, -019 to -022, -024 to -028, -031, -032, -035, -036; 0-001-413-001, -004, -006, -010, -018; 0-001-414-001, -003, -008 to -011, -013, -015, -016, -018, -019, -020, -022; 0-001-415-001, -002, -003, -006, -007, -008, -010, -011, -013, -017, -019, -021, -023, -024, -027; 0-001-416-001 to -006, -008, -009, -010, -013, -014, -017, -018, -022 to -026, -028 to -033, -035, -039, -040, -044 to -047, -049, -050, -051, -053, -056, -058, -059, -071; 0-001-417-001 to -004, -011 to -018, -020 to -031, -033, -035, -036, -037, -043, -044, -047, -050, -055, -058, -066, -068; 0-001-418-001, -002, -005, -009, -010, -012; 9-000-084-007, -008, -012, -024

Dim: 165mm L

Features:

- Accurate

Pinion Gears



4-795

(Ref# 54-91204)

Pinion Gear

9-T, CW, Steel

For: Bosch 410-418 Series DD Starters

Used On: Bomag, Clark, IHC, KHD, MAN, Mercedes-Benz Truck, Renault, Volvo White-GMC Truck

Replaces: Bosch 2-006-382-150, 2-006-382-176

Unit Nos: Bosch 0-001-410-015, -021, -029, -041, -058, -078, -083, -088, -090, -117; 0-001-411-009, -014, -020, -022;

0-001-413-001, -004, -010, -017; 0-001-414-003, -009, -011, -016, -022;

0-001-415-001, -002, -006, -010, -019, -027; 0-001-416-002, -010, -013, -022, -023, -024, -026, -028, -040, -054, -059;

0-001-417-001, -020, -027, -028, -036, -037; 0-001-418-001, -009, -014

Dim: 34.5mm Gear OD, 61mm L

Note: Used w/ 4-792 (54-91400) clutch assy.

Features:

- Accurate

Clutch Assemblies



4-792

(Ref# 54-91400)

Clutch Assembly

For: Bosch 410-418 Series DD Starters

Used On: Clark, DAF, Fiat, Ford, Iveco, KHD, MAN, Magirus, Massey Ferguson, Mercedes-Benz Truck, Renault,

Volvo White-GMC Truck, Volvo Penta

Replaces: Bosch 2-003-162-007; 2-006-162-001, -005, -006, -016; 2-006-401-527

Unit Nos: Bosch 0-001-410-015, -016, -019, -021, -022, -024, -029, -032, -034,

-035, -037, -041, -043 to -046, -049, -050, -052, -053, -058, -062, -063, -065,

-067, -068, -069, -074, -075, -078, -081, -083, -087, -088, -090, -092, -094, -097,

-098, -101, -102, -104, -106, -111, -113, (cont'd.)

STARTER - STARTER DRIVES (4- ACCURATE, 54- WAI)



4-796
(Ref# 54-91203)
Pinion Gear
11-T, CW, Steel

For: Bosch 410-418 Series DD Starters
Used On: DAF, Fiat, Ford, Iveco, KHD, Mercedes Magirus, Renault, Volvo White-GMC, Volvo Penta

Replaces: Bosch 2-006-382-018, 2-006-383-152

Unit Nos: Bosch 0-001-410-019, -032, -034, -037, -044, -045, -046, -050, -053, -062, -063, -069, -074, -075, -077, -081, -087, -098, -101, -102, -104, -106, -109, -111, -113, -115; 0-001-411-005, -010, -013, -015, -016, -036; 0-001-413-018; 0-001-414-008, -013, -019, -020; 0-001-415-003, -008, -009, -011, -013, -017, -021; 0-001-416-003, -005, -006, -008, -009, -014, -030, -031, -032, -033, -035, -039, -049, -050, -053, -058, -071; 0-001-417-002, -003, -012, -016, -022, -023, -024, -025, -031, -033, -035, -043, -044, -047, -055, -066, -068; 0-001-418-002, -010; 9-000-084-012

Dim: 40.5mm Gear OD, 61mm L

Note: Used w/ 4-792 (54-91400) clutch assy.

Features:

- Accurate

DELCO

5MT, SD200, SD250 Series



4-305 **54-100**
Accurate Best Value
Starter Drive
9-T, CW, 3-SPL

For: Delco 5MT, SD200, SD250 Series DD Starters

Used On: (1995-82) Buick, Cadillac, Chevrolet, GMC, Isuzu, Jeep, Oldsmobile, Pontiac

Replaces: Delco 1984511, 10471539, D2052

Lester Nos: 3510M, 6307, 6308, 6309, 6310, 6312, 6313, 6315, 6316, 6318, 6319, 6324, 6327, 6330, 6331, 6426

(cont'd.)

(cont'd.)

Dim: 12mm ID, 25mm Gear OD, 69mm L

Note: 12mm wide shift lever button flange.

For heavy duty version use 4-308.

Similar to 4-307 except 4-307 has cushioned pinion.

Components:

54-1211 Pinion

4-305B
Starter Drive
9-T, CW, 3-SPL

Same as 4-305 except...

Features:

- Accurate
- Bulk packaged, 25/case



4-307 **54-135-5**
Accurate Best Value
Starter Drive
9-T, CW, 3-SPL

For: Delco 5MT, SD200, SD250 Series DD Starters

Used On: (1996-84) Buick, Chevrolet, Oldsmobile, Pontiac

Replaces: Delco 10498407, D2040

Unit Nos: Delco 1998445, 1998448, 1998514, 1998515, 1998521, 1998526, 1998544, 1998546, 10455001, 10455006, 10455015, 10455024, 10455044, 10455049

Lester Nos: 6310, 6339, 6413

Dim: 12mm ID, 25mm Gear OD, 69mm L

Note: Cushion pinion drive.

12mm wide shift lever button flange.

Components:

54-1211 Pinion

Features:

- Cushioned pinion design

4-307B
Starter Drive
9-T, CW, 3-SPL

Same as 4-307 except...

Features:

- Accurate
- Bulk packaged, 25/case



4-308
Starter Drive
9-T, CW, 3-SPL

For: Delco 5MT, SD200, SD250 Series DD Starters

Used On: (1995-82) Buick, Cadillac, Chevrolet, GMC, Isuzu, Jeep, Oldsmobile, Pontiac

Replaces: Delco 1984511, 10471539, D2052

Lester Nos: 3510M, 6307, 6308, 6309, 6310, 6312, 6313, 6315, 6316, 6318, 6319, 6324, 6327, 6330, 6331, 6426

Dim: 12mm ID, 25mm Gear OD, 69mm L

Note: 12mm wide shift lever button flange.

For standard version use 4-305.

Similar to 4-308C except 4-308C has cushioned pinion.

Features:

- Accurate Magnum Drive
- Heavy duty 5-roller w/ deep cavity body design
- Heavy duty stem & cam springs
- Extreme temperature lubrication

4-308B
Starter Drive
9-T, CW, 3-SPL

Same as 4-308 except...

Features:

- Bulk packaged, 25/case

STARTER - STARTER DRIVES (4- ACCURATE, 54- WAI)

DELCO

5MT, SD200, SD250
Series (cont'd.)



4-308C
Starter Drive
9-T, CW, 3-SPL

For: Delco 5MT, SD200, SD250 Series DD Starters

Used On: (1996-84) Buick, Chevrolet, Oldsmobile, Pontiac

Replaces: Delco 10498407, D2040

Unit Nos: Delco 1998445, 1998448, 1998514, 1998515, 1998521, 1998526, 1998544, 1998546, 10455001, 10455006, 10455015, 10455024, 10455044, 10455049

Lester Nos: 6310, 6339, 6413

Dim: 12mm ID, 25mm Gear OD, 69mm L

Note: 12mm wide shift lever button flange.

For standard version use 4-307.

Similar to 4-308 except 4-308 does not have cushioned pinion.

Components:

54-1211 Pinion

Features:

- Accurate Magnum Drive
- Cushioned pinion design
- Heavy duty 5-roller w/ deep cavity body design
- Heavy duty stem & cam springs
- Extreme temperature lubrication

4-308CB
Starter Drive
9-T, CW, 3-SPL

Same as 4-308C except...

Features:

- Accurate Magnum Drive
- Bulk packaged, 25/case

5MT, 10MT, SD200, SD300
Series



4-209LH
Starter Drive

9-T, CCW, 3- or 6-SPL

For: Delco 10MT, SD300 Series DD Starters

Used On: Mercury Marine Applications

Replaces: Delco 1937554

Unit Nos: Delco 1107610, 1107672

Dim: 12mm ID, 25.5mm Gear OD, 95mm L

Features:

- Accurate



4-210B
Starter Drive
9-T, CW, 3-SPL

For: Delco 10MT, SD300 Series DD Starters

Used On: (1987-73) Buick, Chevrolet, GMC, Oldsmobile, Pontiac

Replaces: Delco 10456422, D2049

Unit Nos: Delco 1107381, 383, 385,

388, 391, 392, 399, 400, 660, 664, 686, 687, 688, 711, 712, 889, 890, 891, 892, 895; 1108302, 303, 320, 325, 326, 327, 328, 329, 330, 331, 332, 333, 335, 338, 345, 347, 348, 349, 350, 351, 352, 353, 354, 355, 357, 359, 360, 361, 362, 363, 400, 418, 419, 420, 425, 427, 428, 429, 430, 434, 435, 436; 15555619;

1998206, 220, 221, 226, 228, 229, 230, 231, 314, 317, 318, 467, 469, 470, 471, 472, 473, 474, 491, 499, 500, 501, 505, 516, 517, 522, 592, 593

Lester Nos: 3505, 3508, 3510, 3510M, 3533, 3546, 3548, 3550, 3551, 3560, 3627, 3629, 3631, 3633, 3635, 3649, 3664, 3674, 3689, 3691, 3696, 3733, 3800, 3838, 4038, 4174, 4208, 4253, 4307, 4347, 4349, 6303, 6423, 6536

Dim: 12mm ID, 25mm Gear OD, 80mm L

Features:

- Accurate
- Cushioned pinion design
- Bulk packaged, 25/case



4-213
Accurate

54-101-2
Best Value

Starter Drive
9-T, CW, 3-SPL

For: Delco 5MT, 8MT, 10MT, SD200, SD300 Series DD Starters

Used On: (1994-73) AMC, Buick, Cadillac, Chevrolet, GMC, Jeep, Oldsmobile, Pontiac

Replaces: Delco 1875687, 1935829, 1954842, 1965723, 1965923, 10456422, 10470757, D2008, D2014, D2020, D2049, D2051

Unit Nos: Delco 1107233, 237, 242, 247, 248, 259, 260, 266, 273, 274, 286, 289, 293, 294, 298, 299, 301, 302, 306, 307, 313, 314, 315, 316, 317, 320, 321, 330, 331, 336, 340, 342, 345, 346, 347, 349, 352, 353, 355, 360, 361, 363, 365, 367, 368, 369, 370, 371, 372, 373, 374, 375, 376, 381, 383, 385, 388, 391, 392, 399, 400, 496, 497, 499, 594, 596, 660, 664, 686, 687, 688, 694, 711, 712, 889, 890, 891, 892, 895; 1108195, 196, 224, 225, 226, 282, 283, 286, 294, 302, 303, 320, 325, 326, 327, 328, 329, 330, 331, 332, 333, 335, 338, 345, 347, 348, 349, 350, 351, 352, 353, 354, 355, 357, 359, 360, 361, 362, 363, 364, 365, 366, 367, 368, 369, 370, 371, 372, 373, 374, 375, 377, 378, 380, 381, 382, 383, 384, 385, 386, 387, 389, 391, 392, 400, 418, 419, 420, 425, 427, 428, 429, 430, 434, 435, 436, 445, 446, 448, 450, 477, 478, 479, 480, 481, 483, 484, 485, 486, 487, 488, 489, 490, 491, 495, 496, 497, 498, 499, 500, 502, 503, 504, 506, 507, 512, 513, 515, 516, 517, 518, 519, 520, 521, 522, 523, 743, 744, 745, 746, 747, 748, 752, 753, 754, 755, 756, 758, 759, 760, 761, 762, 763, 765, 766, 767, 768, 770, 771, 772, 773, 774, 775, 776, 778, 779, 780, 781, 782, 783, 784, 785, 787, 788, 789, 790, 791, 792, 793, 794, 795, 796, 797, 798, 799; 1109022, 023, 024, 025, 026, 027, 029, 030, 032, 033, 034, 035, 036, 038, 039, 041, 042, 052, 054, 056, 057, 058, 059, 060, 061, 062, 063, 064, 065, 066, 067, 068, 069, 070, 072, 074, 075, 076, 077, 078, 079, 083, 084, 092, 099, 354, 355, 363, 364, 368, 399, 411, 412, 414, 415, 416, 447, 482, 486, 487, 488, 489, 490, 521, 522, 523, 524, 526, 527, 528, 530, 531, 532, 533, 534, 535, 537, 538, 544, 561, 562, 565, 567, 592, 597; 1113244, 476; 15555619; 1998204, 205, 206, 211, 213, 215, 216, 217, 220, 221, 222, 223, 224, 225, 226, 227, 228, 229, 230, 231, 233, 234, 235, 236, 237, 238, 239, 240, 241, 242, 243, 244, 245, (cont'd.)

STARTER - STARTER DRIVES (4- ACCURATE, 54- WAI)

(cont'd.)

247, 248, 249, 250, 256, 257, 260, 275, 285, 286, 314, 317, 318, 395, 396, 397, 400, 414, 415, 435, 436, 437, 438, 439, 440, 441, 443, 444, 451, 452, 467, 469, 470, 471, 472, 473, 474, 491, 499, 500, 501, 505, 516, 517, 522, 557, 558, 559, 560, 561, 562, 563, 564, 565, 566, 568, 569, 570, 571, 572, 574, 577, 579, 580, 583, 584, 588, 589, 590, 591, 592, 593, 594, 595, 596, 598; 10455300, 301, 305, 306, 308, 309, 310, 311, 312, 315, 335, 343, 344, 345, 346, 603

Lester Nos: 3502, 3503, 3504, 3505, 3507, 3508, 3508M, 3510, 3510M, 3524, 3525, 3527, 3533, 3535, 3546, 3548, 3550, 3551, 3552, 3553, 3554, 3556, 3557, 3560, 3561, 3562, 3563, 3564, 3565, 3569, 3571, 3627, 3629, 3631, 3633, 3635, 3649, 3664, 3666, 3674, 3685, 3686, 3689, 3691, 3696, 3733, 3800, 3838, 4038, 4174, 4208, 4216, 4253, 4263, 4297, 4298, 4307, 4347, 4349, 4370, 4548, 4724, 6303, 6304, 6311, 6376, 6423, 6425, 6536

Dim: 12mm ID, 25mm Gear OD, 80mm L

Note: For cushioned pinion design use 4-210.

4-213B Starter Drive 9-T, CW, 3-SPL

Same as 4-213 except...

Features:

- Bulk packaged, 50/case



4-304 (Ref# 54-105) Starter Drive 9-T, CW, 3-SPL

For: Delco 10MT, SD300 Series DD Starters

Used On: Cadillac, Chevrolet, GMC, Hyster, Oldsmobile, Pontiac, Yale

Replaces: Delco 1932188, 1939506, 1974355, D2028

Unit Nos: Delco 1107208, 223, 270, 272, 279, 297, 354, 389, 397, 398, 641, 652, 653, 655, 657, 661, 665, 668, 681, 683, 697, 700, 706, 716, 735, 751, 752, 776, 777, 796, 888; 1108229, 1108273, 424, 510, 751; 1109055, 085, 096, 365, 446, 448, 578; 1998261, 272, 288, 313, 416; 10455357

Lester Nos: 3347, 3630, 3636, 3637, 3639, 3643, 3659, 3664, 3676, 3690, 3693, 4038, 4150, 4161, 4238, 4247, 6722

Dim: 12mm ID, 25mm Gear OD, 75mm L

Features:

- Accurate

10MT, 20-27MT, 30-35MT Series (14.3mm ID)



4-212 Starter Drive 9-T, CW, 6-SPL

For: Delco Early DD Starters

Used On: AMC, Buick, Cadillac, Chevrolet, Chrysler, Ford, GMC, IHC, Oldsmobile, Pontiac

Replaces: Delco 1843041, 1856669, 1873789, 1874156, 1904438, D2000

Unit Nos: Delco 1107001, 003, 005, 007, 008, 009, 013, 018, 019, 022, 023, 032, 033, 034, 038, 039, 041, 047, 049, 050, 051, 053, 054, 055, 057, 061, 063, 066, 070, 071, 075, 076, 078, 079, 080, 097, 098, 101, 102, 103, 107, 108, 109, 110, 114, 131, 135, 140, 144, 418, 420, 453, 602, 603, 607, 804, 810, 829, 843, 903, 904, 906, 907, 908, 909, 911, 912, 913, 914, 915, 916, 921, 922, 923, 924, 925, 929, 930, 931, 934, 935, 936, 941, 945, 947, 948, 952, 953, 955, 956, 957, 960, 965, 969, 973, 981, 982, 994, 997; 1108001, 003, 007, 026, 027, 030, 035, 040, 101, 104, 107, 115, 120, 121, 123, 127, 128, 143, 151, 156, 164, 568, 581; 1109661, 662

Lester Nos: 3500, 3520, 3522, 3530, 3534, 3536, 3577, 3606, 3607, 3610, 3615, 3616, 3617, 3619, 3620, 3622, 3624, 4001, 4020, 4061, 4114, 4147, 4309, 4410, 4416, 4426

Dim: 14.3mm ID, 29.5mm Gear OD, 95mm L

Features:

- Accurate



4-221 (Ref# 54-136) Starter Drive 9-T, CW, 3-SPL

For: Delco 10MT, 22MT, 27MT, SD300 Series DD Starters

Replaces: Delco 1852410, 1852970, 1930802, 1941589, 1946220, 10499854

Unit Nos: Delco 1107326, 590; 1108292, 393, 675; 1109362, 431, 432; 1998276, 335, 352, 365, 371, 384, 385, 506, 507, 597; 10455317, 321, 324, 325, 328, 332, 333, 340, 341, 351, 355, 356

Dim: 14.3mm ID, 29mm Gear OD, 97mm L

Note: For dbl. roller clutch drive use 4-457 (54-109-2).

Features:

- Accurate



4-267 Starter Drive 9-T, CCW, 3-SPL

For: Delco 10MT, SD300 Series DD Starters

Used On: IHC, McCormick Deering

Replaces: Delco 1939109

Unit Nos: Delco 1107229, 1107543, 1108642

Lester Nos: 4193, 4212, 4594

Dim: 14.3mm ID, 29mm Gear OD, 96mm L

Features:

- Accurate

STARTER - STARTER DRIVES (4- ACCURATE, 54- WAI)

DELCO

10MT, 20-27MT, 30-35MT
Series (14.3mm ID) (cont'd.)



4-279

Starter Drive

10-T, CW, 3-SPL, Spragg Clutch

For: Delco 10MT, 20MT, 22MT, 25MT, 27MT, 30MT, 35MT, SD300 Series DD Starters

Replaces: Delco 1852716, 1876857, 1877355, 1933471, 1941119, 1941157, 1942950, 1950058, 1964127, 1968355, 1971707, 1975046, 10498623, D2024, D2025, D2042

Unit Nos: Delco 1107214, 234, 249, 290, 291, 300, 382, 511, 512, 514, 515, 533, 535, 539, 540, 557, 561, 575, 580, 582, 591, 592, 593, 696, 853, 857, 859, 860, 866, 867, 868, 869, 870, 872; 1108070, 082, 240, 280, 285, 322, 379, 388, 390, 396, 397, 415, 431, 432, 443, 447, 449, 476, 493, 632, 634, 644, 648, 649, 667, 671, 693, 694, 696, 697; 1109097, 189, 191, 192, 194, 198, 199, 217, 253, 255, 257, 258, 259, 261, 263, 264, 266, 269, 270, 398, 417, 418, 420, 427, 436, 439, 539, 540, 542, 543, 550, 566, 569, 940; 1113002, 004, 082, 088, 098, 103, 104, 113, 115, 120, 126, 135, 139, 148, 164, 165, 179, 190, 192, 193, 194, 203, 205, 209, 215, 219, 220, 222, 225, 232, 246, 391, 397, 399, 400, 401, 402, 404, 405, 414, 420, 421, 422, 428, 431, 435, 436, 437, 441, 442, 473, 478, 488, 493, 496, 498, 499, 586, 596, 597, 599, 600, 626, 636, 640, 641, 644, 648, 650, 651, 652, 653, 656, 657, 659, 661, 667, 668, 672, 676, 683, 686, 687, 688, 689, 690, 697, 699; 1998207, 208, 219, 259, 273, 292, 293, 295, 302, 309, 325, 326, 329, 330, 331, 336, 337, 340, 341, 342, 343, 344, 345, 348, 349, 350, 357, 358, 359, 360, 362, 363, 366, 370, 373, 374, 376, 377, 379, 383, 386, 387, 389, 418, 419, 446, 468, 479, 480, 481, 484, 485, 575, 576; 10455316, 326, 331, 334, 337, 348, 349, 350, 353

Lester Nos: 3300, 3350, 3353, 3354, 3355, 3362, 3363, 3365, 3367, 3368, 3511, 3512, 3708, 3720, 3726, 3774, 3865, 3871, 3882, 3898, 3942, 3944, 3972, 3977, 3986, 3991, 4084, 4099, 4192, 4196, 4227, 4241, 4252, 4265, 4266, 4267, 4272, 4274, 4275, 4276, 4281, 4284, 4287, 4299, 4319, 4338, 4385, 4389, 4392, 4395, 4396, 4398, 4399, 4525, 4537, 4565, 4569, 4570 (cont'd.)

(cont'd.)

, 4573, 4583, 4678, 4745, 4778, 4813, 4828, 4885, 4894, 4898, 4906, 4933, 4941, 4942, 4943, 4946, 4949, 4953, 4963, 4971, 4972, 4973, 4998, 5384, 6156, 6165, 6166, 6167, 6168, 6177, 6179, 6543, 6708, 6709, 6713, 6720, 6721, 6729, 6730, 6739

Dim: 14.3mm ID, 39.5mm Gear OD, 97mm L

Note: For sgl. Roller clutch drive use 4-310 (54-137-2).

For dbl. roller clutch drive use D54-479 (54-113-2) or 54-113-1.

For small positortorque drive use 4-479.

For ratchet clutch drive use 4-479VN (54-113-3).

Features:

- Accurate

4-279B

Starter Drive

10-T, CW, 3-SPL, Spragg Clutch

Same as 4-279 except...

Features:

- Accurate
- Bulk packaged, 20/case



4-282

(Ref# 54-139)

Starter Drive

12-T, CW, 3-SPL, Spragg Clutch

For: Delco 10MT, 20MT, 22MT, 25MT, 27MT, 30MT, 35MT, SD300 Series DD Starters

Replaces: Delco 10498438, D2043

Unit Nos: Delco 1107251, 343, 344, 567, 581, 587, 588, 600, 875; 1108641, 692; 1109140, 196, 272, 419; 1113007, 010, 050, 056, 066, 075, 111, 128, 153, 154, 171, 182, 184, 195, 196, 200, 229, 231, 234, 235, 243, 367, 368, 373, 376, 377, 380, 381, 383, 396, 412, 413, 416, 417, 418, 419, 424, 425, 426, 430, 433, 447, 494, 497, 598, 633, 634, 635, 637, 639, 646, 654, 655, 660, 662, 665, 675, 681, 695, 698; 1998209, 218, 294, 328, 334, 338, 339, 347, 351, 378, 394, 455, 464, 465, 487, 508

Dim: 14.3mm ID, 46mm Gear OD, 97mm L

Note: For dbl. roller clutch drive use D54-482 (54-112-5).

For roller clutch drive use 4-482VN (54-112-3).

For CCW version use 4-294.

Features:

- Accurate



4-291

Accurate

54-138-2

Best Value

Starter Drive

10-T, CW, 3-SPL

Single Roller Clutch

For: Delco 10MT, 20MT, 22MT, 25MT, 27MT, 30MT, SD300 Series DD Starters

Replaces: Delco 1877345, 1947912, 1958731, 1968131, 1970376, 1971706, 10497522, D2037

Unit Nos: Delco 1107339, 573, 577, 586, 589, 599, 863, 871; 1108284, 319, 358, 395, 698, 700; 1109051, 143, 144, 146, 149, 187, 188, 190, 208, 251, 265, 421, 541, 572, 576, 596; 1113114, 1113159, 1113169, 1113223, 1113593, 1113594; 1998232, 346, 353, 355, 356, 364, 367, 382, 388, 408, 423, 432, 456, 457, 459, 488, 490; 10455322, 329, 500

Lester Nos: 3300, 3860, 4000, 4100, 4211, 4248, 4251, 4268, 4307, 4318, 4391, 4515, 4620, 4943, 4960, 4994, 4995, 6164, 6330, 6510, 6707, 6731, 6733, 6737

Dim: 14.3mm ID, 32mm Gear OD, 97mm L

Note: Single 5-roller clutch.

For spragg drive use 4-302.

4-291B

Starter Drive

10-T, CW, 3-SPL

Single Roller Clutch

Same as 4-291 except...

Features:

- Accurate
- Bulk packaged, 20/case

STARTER - STARTER DRIVES (4- ACCURATE, 54- WAI)



4-294

Starter Drive

12-T, CCW, 3-SPL, Spragg Clutch

For: Delco 30MT, 35MT Series DD Starters

Replaces: Delco 1877356, 1893736, 1941657

Unit Nos: Delco 1107518, 1108638, 1108647, 1108668, 1109141, 1113090, 1113131, 1113163, 1113228, 1113663, 1113673, 1113682, 1113696

Dim: 14.3mm ID, 46.5mm Gear OD, 97mm L

Note: For ratchet clutch drive use 4-494 (54-108).

For CW version use 4-282.

Features:

- Accurate



4-302

Starter Drive

10-T, CW, 3-SPL, Spragg Clutch

For: Delco 10MT, 20MT, 22MT, 25MT, 27MT, 30MT, SD300 Series DD Starters

Replaces: Delco 1877345, 1947912, 1958731, 1968131, 1970376, 1971706, 10497522, D2037

Unit Nos: Delco 1107339, 573, 577, 586, 589, 599, 863, 871; 1108284, 319, 358, 395, 698, 700; 1109051, 143, 144, 146, 149, 187, 188, 190, 208, 251, 265, 421, 541, 572, 576, 596; 1113114, 1113159, 1113169, 1113223, 1113593, 1113594; 1998232, 346, 353, 355, 356, 364, 367, 382, 388, 408, 423, 432, 456, 457, 459, 488, 490; 10455322, 329, 500

Lester Nos: 3300, 3860, 4000, 4100, 4211, 4248, 4251, 4268, 4307, 4318, 4391, 4515, 4620, 4943, 4960, 4994, 4995, 6164, 6330, 6510, 6707, 6731, 6733, 6737

Dim: 14.3mm ID, 32mm Gear OD, 97mm L

Note: For single 5-roller clutch use 4-291 or 54-138-2

Features:

- Accurate



4-310

Accurate

54-137-2

Best Value

Starter Drive

10-T, CW, 3-SPL

Single Roller Clutch

For: Delco 10MT, 20MT, 22MT, 25MT, 27MT, 30MT, 35MT, SD300 Series DD Starters

Replaces: Delco 1852716, 1877355, 1933471, 1940412, 1950058, 1964127, 1968355, 1970026, 1970726, 1971707, 10498623, D2025, D2042

Unit Nos: Delco 1107214, 234, 249, 268, 290, 291, 300, 382, 511, 512, 514, 515, 533, 535, 540, 561, 575, 582, 591, 853, 857, 859, 860, 866, 867, 868, 869, 870, 872; 1108070, 082, 240, 280, 285, 322, 376, 379, 388, 390, 396, 397, 415, 431, 432, 443, 447, 449, 476, 493, 632, 634, 648, 658, 667, 671, 693, 694, 696, 697; 1109097, 189, 191, 192, 194, 198, 199, 217, 253, 255, 257, 258, 259, 261, 263, 264, 266, 269, 270, 398, 417, 418, 420, 427, 436, 439, 539, 540, 542, 543, 550, 566, 569, 571, 940; 1113002, 004, 082, 088, 126, 139, 165, 179, 193, 194, 203, 209, 215, 220, 232, 397, 400, 401, 402, 404, 405, 414, 420, 421, 422, 428, 431, 435, 436, 437, 441, 442, 473, 488, 493, 498, 499, 586, 596, 597, 599, 600, 626, 636, 640, 641, 644, 650, 651, 652, 653, 656, 657, 659, 667, 668, 672, 676, 683, 686, 687, 689, 690, 697, 699;

1998207, 208, 219, 259, 273, 292, 293, 295, 302, 309, 325, 326, 329, 330, 331, 336, 337, 340, 341, 342, 343, 344, 345, 348, 349, 350, 357, 358, 359, 360, 362, 363, 366, 370, 373, 374, 376, 377, 379, 383, 386, 387, 389, 418, 419, 446, 468, 479, 480, 481, 484, 485, 575, 576; 10455316, 326, 331, 334, 337, 348, 349, 350, 353

Lester Nos: 3300, 3350, 3353, 3354, 3355, 3363, 3365, 3367, 3368, 3511, 3512, 3720, 3726, 3774, 3865, 3882, 3898, 3942, 3972, 3977, 3986, 3991, 4084, 4099, 4192, 4196, 4227, 4241, 4252, 4265, 4266, 4267, 4272, 4274, 4275, 4276, 4284, 4299, 4319, 4338, 4385, 4389, 4392, 4395, 4396, 4398, 4399, 4525, 4537, 4569, 4572, 4573, 4583, 4678, 4745, 4778, 4813, 4828, 4885, 4894, 4898, 4906, 4933, 4941, 4942, 4943, 4946, 4949, 4953, 4963, 4971, 4972, 4973, 4998, 6156, 6165, 6166, 6167, 6168, 6177, 6179, 6543, 6708, 6709, 6713, 6720, 6721, 6729, 6730, 6739

(cont'd.)

(cont'd.)

Dim: 14.3mm ID, 39.5mm Gear OD, 97mm L

Note: Single 5-roller clutch.

For dbl. roller clutch drive use D54-479 (54-113-2) or 54-113-1.

For spragg drive use 4-279.

For small positortorque drive use 4-479.

For ratchet clutch drive use 4-479VN (54-113-3).

4-310B

Starter Drive

10-T, CW, 3-SPL

Single Roller Clutch

Same as 4-310 except...

Features:

- Accurate
- Bulk packaged, 25/case



4-348

(Ref# 54-106)

Starter Drive

10-T, CW, 3-SPL

For: Delco 15GR Series OSGR; 20MT, 25MT, 27MT Series DD Starters

Used On: (1989-78) Buick, Cadillac, Chevrolet, GMC, Oldsmobile, Pontiac

Replaces: Delco 1893445, D2027, D2035

Lester Nos: 3601, 3725, 3741, 3742, 3764, 6305, 6343

Dim: 14.3mm ID, 32mm Gear OD, 81mm L

Features:

- Accurate

4-348B

Starter Drive

10-T, CW, 3-SPL

Same as 4-348 except...

Features:

- Accurate
- Bulk packaged, 20/case

STARTER - STARTER DRIVES (4- ACCURATE, 54- WAI)

DELCO

10MT, 20-27MT, 30-35MT
Series (14.3mm ID) (cont'd.)



4-457
Accurate

Starter Drive

9-T, CW, 3-SPL

Double Roller Clutch

For: Delco 10MT, 20MT, 25MT, 30MT, SD300 Series DD Starters

Replaces: Delco 1892899, D2036

Unit Nos: Delco 1107203, 224, 245, 280, 308, 332, 335, 350, 356, 364, 377, 378, 379, 393, 489, 506, 516, 522, 523, 542, 546, 547, 550, 556, 558, 559, 571, 572, 574, 578, 583, 584, 598, 680, 734, 771, 785, 874, 877, 879; 1108033, 042, 051, 058, 157, 161, 197, 250, 251, 281, 287, 296, 298, 323, 340, 341, 416, 421, 426, 438, 439, 482, 494, 501, 508, 524, 545, 546, 547, 621, 665, 666, 670, 672, 688, 769; 1109053, 086, 087, 088, 090, 091, 093, 145, 147, 256, 262, 268, 357, 422, 423, 428, 429, 434, 435, 547, 548, 581, 588, 591, 594, 598, 599; 1113001, 039, 040, 048, 049, 070, 081, 106, 108, 109, 119, 167, 168, 172, 173, 217, 218; 1998210, 252, 262, 263, 264, 266, 267, 269, 281, 297, 298, 303, 304, 306, 307, 308, 323, 327, 402, 403, 483

Dim: 14.3mm ID, 29mm Gear OD, 97mm L

Note: Double Roller Clutch.

For sgl. roller clutch drive use 4-221 (54-136).

Features:

- Double Roller Clutch Type



4-479VN
(Ref# 54-113-3)

Starter Drive

10-T, CW, 3-SPL, Ratchet Clutch

For: Delco 10MT, 20MT, 22MT, 25MT, 27MT, 30MT, 35MT, SD300 Series DD Starters (cont'd.)

(cont'd.)

Replaces: Delco 1852716, 1876857, 1877355, 1933471, 1941119, 1941157, 1942950, 1950058, 1964127, 1968355, 1971707, 1975046, 10498623, D2024, D2025, D2042

Unit Nos: Delco 1107214, 234, 249, 290, 291, 300, 382, 511, 512, 514, 515, 533, 535, 539, 540, 557, 561, 575, 580, 582, 591, 592, 593, 696, 853, 857, 859, 860, 866, 867, 868, 869, 870, 872; 1108070, 082, 240, 280, 285, 322, 379, 388, 390, 396, 397, 415, 431, 432, 443, 447, 449, 476, 493, 632, 634, 644, 648, 649, 667, 671, 693, 694, 696, 697; 1109097, 189, 191, 192, 194, 198, 199, 217, 253, 255, 257, 258, 259, 261, 263, 264, 266, 269, 270, 398, 417, 418, 420, 427, 436, 439, 539, 540, 542, 543, 550, 566, 569, 940; 1113002, 004, 082, 088, 098, 103, 104, 113, 115, 120, 126, 135, 139, 148, 164, 165, 179, 190, 192, 193, 194, 203, 205, 209, 215, 219, 220, 222, 225, 232, 246, 391, 397, 399, 400, 401, 402, 404, 405, 414, 420, 421, 422, 428, 431, 435, 436, 437, 441, 442, 473, 478, 488, 493, 496, 498, 499, 586, 596, 597, 599, 600, 626, 636, 640, 641, 644, 648, 650, 651, 652, 653, 656, 657, 659, 661, 667, 668, 672, 676, 683, 686, 687, 688, 689, 690, 697, 699; 1998207, 208, 219, 259, 273, 292, 293, 295, 302, 309, 325, 326, 329, 330, 331, 336, 337, 340, 341, 342, 343, 344, 345, 348, 349, 350, 357, 358, 359, 360, 362, 363, 366, 370, 373, 374, 376, 377, 379, 383, 386, 387, 389, 418, 419, 446, 468, 479, 480, 481, 484, 485, 575, 576; 10455316, 326, 331, 334, 337, 348, 349, 350, 353

Lester Nos: 3300, 3350, 3353, 3354, 3355, 3362, 3363, 3365, 3367, 3368, 3511, 3512, 3708, 3720, 3726, 3774, 3865, 3871, 3882, 3898, 3942, 3944, 3972, 3977, 3986, 3991, 4084, 4099, 4192, 4196, 4227, 4241, 4252, 4265, 4266, 4267, 4272, 4274, 4275, 4276, 4281, 4284, 4287, 4299, 4319, 4338, 4385, 4389, 4392, 4395, 4396, 4398, 4399, 4525, 4537, 4565, 4569, 4570, 4573, 4583, 4678, 4745, 4778, 4813, 4828, 4885, 4894, 4898, 4906, 4933, 4941, 4942, 4943, 4946, 4949, 4953, 4963, 4971, 4972, 4973, 4998, 5384, 6156, 6165, 6166, 6167, 6168, 6177, 6179, 6543, 6708, 6709, 6713, 6720, 6721, 6729, 6730, 6739

Dim: 14.3mm ID, 39.5mm Gear OD, 97mm L

Note: Ratchet clutch.

For sgl. roller clutch drive use 4-310 (54-137-2).

For dbl. roller clutch drive use D54-479 (54-113-2) or 54-113-1.

For spragg drive use 4-279.

For small positorque drive use 4-479.

Features:

- Accurate
- Ratchet Clutch Type



D54-479

Accurate

54-113-1

Best Value

Starter Drive

10-T, CW, 3-SPL

Double Roller Clutch

Same as 4-479VN except...

Features:

- Double Roller Clutch Type



4-482VN
(Ref# 54-112-3)

Starter Drive

12-T, CW, 3-SPL, Ratchet Clutch

For: Delco 10MT, 20MT, 22MT, 25MT, 27MT, 30MT, 35MT, SD300 Series DD Starters

Replaces: Delco 1875852, 1877354, 10498438, D2026, D2043

Unit Nos: Delco 1107251, 343, 344, 510, 527, 534, 538, 553, 567, 581, 587, 588, 600, 875; 1108636, 641, 643, 652, 661, 692; 1109140, 196, 272, 419, 948; 1113007, 010, 038, 050, 052, 056, 059, 066, 075, 084, 089, 097, 100, 101, 111, 121, 124, 128, 130, 133, 136, 137, 142, 150, 153, 154, 156, 157, 160, 161, 162, 171, 174, 177, 180, 182, 183, 184, 185, 191, 195, 196, 200, 202, 208, 210, 212, 216, 229, 231, 233, 234, 235, 236, 237, 242, 243, 245, 256, 302, 303, 339, 340, 345, 346, 367, 368, 373, 376, 377, 380, 381, 383, 396, 412, 413, 416, 417, 418, 419, 424, 425, 426, 430, 433, 444, 447, 494, 495, 497, 548, 582, 598, 633, 634, 635, 637, 639, 646, 654, 655, 660, 662, 665, 675, 681, 695, 698; 1998209, 218, 294, 328, 334, 338, 339, 347, 351, 378, 394, 455, 464, 465, 487, 508

Dim: 14.3mm ID, 46mm Gear OD, 97mm L

Note: For dbl. roller clutch drive use D54-482 (54-112-5).

For spragg drive use 4-282 (54-139). For CCW version use 4-494.

Features:

- Accurate
- Ratchet Clutch

STARTER - STARTER DRIVES (4- ACCURATE, 54- WAI)



D54-482 **54-112-4**
Accurate Best Value

Starter Drive
12-T, CW, 3-SPL
Double Roller Clutch

Same as 4-482VN except...

Features:

- Double Roller Clutch



4-494
(Ref# 54-108)
Starter Drive

12-T, CCW, 3-SPL, Ratchet Clutch

For: Delco 30MT, 35MT Series DD Starters

Replaces: Delco 1877356, 1893736, 1941657

Unit Nos: Delco 1107518, 1108638, 1108647, 1108668, 1109141, 1113090, 1113131, 1113163, 1113228, 1113663, 1113673, 1113682, 1113696

Dim: 14.3mm ID, 46.5mm Gear OD, 97mm L

Note: For spragg drive use 4-294. For CW version use 4-482VN.

Features:

- Accurate
- Ratchet Clutch



4-1087
(Ref# 54-171)

Starter Drive
13-T, CCW, 3-SPL

For: Delco 10MT, SD300 Series DD Starters

Replaces: Delco 1896767

Unit Nos: Delco 1998413

Dim: 14.3mm ID, 47mm Gear OD, 96mm L

Features:

- Accurate



4-328
(Ref# 54-8402)

Starter Drive
10-T, CW, 12-SPL

For: Delco 28MT Series OSGR Starters

Used On: Allis-Chalmers, Clark, Deutz, DMT Corp, Ford New Holland, Hough International, Hyster, IHC, Jacobsen, Lister-Petter, Mack, Massey Ferguson, Melroe, Miller Electric, Perkins, RVI, Toro, Waukesha, White

Replaces: Delco 10457057, D2054

Unit Nos: Delco 1113274, 1113275, 1113278, 1113281, 1113282, 1113284, 1113285, 1113288, 1113289, 1113290, 1113297, 10479607

Dim: 14mm ID, 40mm Gear OD, 86mm L, 26mm Clutch Barrel Length

Note: For heavy duty drive w/ 32mm clutch barrel length use 4-361 (54-8408).

Components:

62-84503 Bushing

Features:

- Accurate
- Rubber seal for wet or dry clutch starters

28MT Series



4-327 **54-8406-1**
Accurate Best Value

Starter Drive
10-T, CW, 12-SPL

For: Delco 28MT Series OSGR Starters

Used On: Bluebird Bus, Bobcat, Champion Motor Coach, Chevrolet (Diesel), Clark, Consolidated Diesel, Cummins, DMT, Dresser, Ford Truck, Freightliner, GMC (Diesel), John Deere, Oshkosh Truck, Versatile, White

Replaces: Delco 10456455, 10457056, 10457167, D2053

Unit Nos: Delco 1113269, 1113270, 1113271, 1113276, 1113283, 1113292, 1113295, 1113296, 10479604, 10479614, 10479615, 10479617, 10479618, 10479628, 10479630

Lester Nos: 6468, 6469, 6570, 6573, 6577, 6583, 6585, 6589, 6590, 6595, 6601

Dim: 14mm ID, 32mm Gear OD, 86mm L, 26mm Clutch Barrel Length

Note: For heavy duty drive w/ 32mm clutch barrel length use 4-364 (54-8411).

Components:

62-84503 Bushing

Features:

- Rubber seal for wet or dry clutch starters



4-329 **54-8407-1**
Accurate Best Value

Starter Drive
12-T, CW, 12-SPL

For: Delco 28MT Series OSGR Starters

Used On: Allis-Chalmers, Bobcat, Clark, Ford New Holland, Hyster, Lister-Petter, Perkins, Versatile, Waukesha

Replaces: Delco 10457058, 10457168, D2055

Unit Nos: Delco 1113273, 1113279, 1113280, 10479606, 10479613

Dim: 14mm ID, 46.5mm Gear OD, 86mm L, 26mm Clutch Barrel Length

Note: For heavy duty drive w/ 32mm clutch barrel length use 4-363 (54-8410)

Components:

62-84503 Bushing

Features:

- Rubber seal for wet or dry clutch starters

STARTER - STARTER DRIVES (4- ACCURATE, 54- WAI)

DELCO

28MT Series (cont'd.)



4-335

(Ref# 54-8404)

Starter Drive

9-T, CW, 12-SPL

For: Delco 28MT Series OSGR Starters

Used On: Deutz-Allis

Replaces: Delco 10457059

Unit Nos: Delco 1113286, 10479620

Dim: 14mm ID, 34mm Gear OD, 86mm L, 26mm Clutch Barrel Length

Components:

62-84503 Bushing

Features:

- Accurate
- Rubber seal for wet or dry clutch starters



4-361

Accurate

54-8408-5

Best Value

Starter Drive

10-T, CW, 12-SPL

For: Delco 28MT Series OSGR Starters

Used On: Detroit Diesel, Lister-Petter

Replaces: Delco 10457122

Unit Nos: Delco 10479605, 10479608, 10479612

Dim: 14mm ID, 40mm Gear OD, 86mm L, HD Clutch w/ 32mm Clutch Barrel Length

Note: For drive w/ 26mm clutch barrel length use 4-328 (54-8402)

Components:

62-84503 Bushing

Features:

- Rubber seal for wet or dry clutch starters



4-363

(Ref# 54-8410)

Starter Drive

12-T, CW, 12-SPL

For: Delco 28MT Series OSGR Starters

Used On: Lister-Petter, Perkins

Replaces: Delco 10457141

Unit Nos: Delco 10479600

Dim: 14mm ID, 46.5mm Gear OD, 86mm L, HD Clutch w/ 32mm Clutch Barrel Length

Note: For drive w/ 26mm clutch barrel length use 4-329 (54-8407)

Components:

62-84503 Bushing

Features:

- Accurate
- Rubber seal for wet or dry clutch starters



4-336

(Ref# 54-8405)

Starter Drive

9-T, CW, 12-SPL

For: Delco 28MT Series OSGR Starters

Used On: Teledyne Continental

Replaces: Delco 10457060

Unit Nos: Delco 1113287

Dim: 13mm ID, 29.5mm Gear OD, 86mm L, 26mm Clutch Barrel Length

Features:

- Accurate
- Rubber seal for wet or dry clutch starters



4-362

(Ref# 54-8409)

Starter Drive

10-T, CW, 12-SPL

For: Delco 28MT Series OSGR Starters

Used On: Lincoln Electric, Teledyne Continental

Replaces: Delco 10457178

Unit Nos: Delco 10479619

Dim: 13mm ID, 32mm Gear OD, 86mm L, 26mm Clutch Barrel Length

Features:

- Accurate
- Rubber seal for wet or dry clutch starters



4-364

Accurate

54-8411-5

Best Value

Starter Drive

10-T, CW, 12-SPL

For: Delco 28MT Series OSGR Starters

Used On: Consolidated Diesel, Cummins, John Deere, Mack

Replaces: Delco 10457121

Unit Nos: Delco 1113272, 1113277, 1113291, 10479611, 10479616, 10479629

Dim: 14mm ID, 32mm Gear OD, 86mm L, HD Clutch w/ 32mm Clutch Barrel Length

Note: For drive w/ 26mm clutch barrel length use 4-327 (54-8406)

Components:

62-84503 Bushing

Features:

- Accurate
- Rubber seal for wet or dry clutch starters

STARTER - STARTER DRIVES (4- ACCURATE, 54- WAI)

37MT Series



4-337
(Ref# 54-131-4)
Starter Drive
10-T, CW, 3-SPL
Single Roller Clutch

For: Delco 37MT Series DD Starters
Replaces: Delco 1986244
Unit Nos: Delco 1990308, 309, 311, 312, 315, 318, 326, 347, 499; 1993701, 702, 705, 712, 723, 726, 738, 741, 744, 754, 756, 759, 761, 762, 767, 769, 789, 790, 792, 793, 799, 800, 817, 818, 819, 829, 837, 850, 854, 855, 862, 866, 879, 880, 881, 886, 893, 894, 903, 905, 914, 917, 921, 947, 950, 951, 954, 955, 956, 957, 963, 970, 971, 981, 986, 988, 994; 10478806, 814, 819, 831, 890, 921, 928, 929, 930, 953, 957, 976; 10479015, 016, 020, 035, 036, 054, 068, 069, 169, 170, 186, 195
Dim: 14.3mm ID, 39.5mm Gear OD, 99mm L
Note: Single Roller Clutch, OEM design. For dbl. roller clutch drive use 4-337-DR or 54-131-5
 For ratchet clutch drive use D54-337P or 54-131-6
Components:
 337022 (54-1209) Pinion
Features:
 • Accurate
 • Single Roller Clutch Type, OEM design



4-337-DR **54-131-5**
Accurate Best Value
Starter Drive
10-T, CW, 3-SPL
Double Roller Clutch

Same as 4-337 except...
Features:
 • Double Roller Clutch Type



D54-337P
(Ref# 54-131-6)
Starter Drive
10-T, CW, 3-SPL, Ratchet Clutch

Same as 4-337 except...
Features:
 • Accurate
 • Ratchet Clutch Type



4-338 **54-132-5**
Accurate Best Value
Starter Drive
12-T, CW, 3-SPL
Single Roller Clutch

For: Delco 37MT Series DD Starters
Replaces: Delco 1985262
Unit Nos: Delco 1990310, 313, 316, 317, 319, 320, 321, 327, 330, 331, 332, 336, 498; 1993707, 709, 713, 719, 728, 729, 732, 742, 745, 746, 755, 763, 764, 768, 770, 778, 791, 794, 831, 832, 851, 853, 861, 865, 869, 871, 873, 874, 878, 883, 885, 887, 891, 898, 901, 902, 909, 910, 911, 918, 920, 926, 928, 931, 953, 958, 964, 965, 966, 969, 974, 992, 997; 10478805, 811, 825, 826, 927, 949, 960; 10479014, 034, 174, 175
Dim: 14.3mm ID, 46mm Gear OD, 100mm L
Note: For ratchet clutch drive use D54-338P (54-132-3). For dbl. roller clutch drive use 4-338-DR (54-132-2).
Features:
 • Single Roller Clutch Type



4-338-DR
(Ref# 54-132-2)
Starter Drive
12-T, CW, 3-SPL
Double Roller Clutch

Same as 4-338 except...
Features:
 • Accurate
 • Double Roller Clutch Type



D54-338P
(Ref# 54-132-3)
Starter Drive
12-T, CW, 3-SPL, Ratchet Clutch

Same as 4-338 except...
Features:
 • Accurate
 • Ratchet Clutch Type

STARTER - STARTER DRIVES (4- ACCURATE, 54- WAI)

DELCO

37MT Series (cont'd.)



4-1080

(Ref# 54-170)

Starter Drive

10-T, CW, 19-SPL, 41MT Conversion

Positive Engagement Design

For: Delco 37MT Series DD Starters

Dim: 15.9mm ID, 39.5mm Gear OD, 102mm L

Note: Positive engagement conversion drive used with 41MT, 19-spline armatures for 37MT starter applications: WAI 2-1582-DR-1, 2-2206-DR-1, 2-2207-DR-1, 50-113-1, 50-158-1, 50-159-1, 50-161-1, 50-193-1, 50-194-1.

Features:

- Accurate
- 41MT positive engagement drive for 37MT series
- Eliminates the stop ring & stop collar failure common on the 37MT design



337022

(Ref# 54-1209)

Pinion Gear

10-T, CW

For: Delco 37MT Series DD Starters

Dim: 40mm Gear OD, 44.5mm L

Note: Used in 4-337 (54-131-4) starter drive

Features:

- Accurate

38MT, 39MT Series



54-1215

Pinion Gear

10-T, CW, 23-SPL

For: Delco 38MT Series PLGR Starters

Unit Nos: Delco 8200024, 8200076, 8200078, 19026027, 19026032

Lester Nos: 6807, 6832

Dim: 16.4mm ID, 40mm Gear OD, 24mm L



54-1216

Pinion Gear

12-T, CW, 23-SPL

For: Delco 39MT Series PLGR Starters

Replaces: Delco 10511918

Unit Nos: Delco 10461773, 19011514

Lester Nos: 6818

Dim: 16.4mm ID, 43.5mm Gear OD, 26mm L



54-1217-5

Pinion Gear

11-T, CW, 23-SPL

For: Delco 39MT Series PLGR Starters

Replaces: Delco 10511753

Unit Nos: Delco 8200037, 19011516, 19011518, 19011521, 19011522, 19011523, 19011530, 19011531

Lester Nos: 6802, 6804, 6806, 6814, 6819, 6822, 6853

Dim: 16.4mm ID, 56mm Gear OD, 26mm L



54-1218-5

Pinion Gear

12-T, CW, 23-SPL

For: Delco 38MT, 39MT Series PLGR Starters

Replaces: Delco 10511838

Unit Nos: Delco 8200005, 8200072, 19011517, 19011524, 19026028, 19026029

Lester Nos: 6808, 6813, 6833

Dim: 16.4mm ID, 46mm Gear OD, 26mm L



54-1400

Clutch Assembly

CW, 23-SPL

For: Delco 38MT Series PLGR Starters

Unit Nos: Delco 8200005, 8200024, 8200072, 8200076, 8200078, 19026027, 19026028, 19026029, 19026032

Lester Nos: 6807, 6808, 6832, 6833

Dim: 144mm L



54-1401

Clutch Assembly

CW, 23-SPL

For: Delco 39MT Series PLGR Starters

Unit Nos: Delco 8200037, 19011514, 19011516, 19011517, 19011518, 19011521, 19011522, 19011523, 19011524, 19011530, 19011531

Lester Nos: 6802, 6804, 6805, 6806, 6812, 6813, 6814, 6818, 6819, 6822, 6853

Dim: 144mm L

STARTER - STARTER DRIVES (4- ACCURATE, 54- WAI)

40MT, 42MT, 50MT Series
(15.9mm ID)



4-311VN
(Ref# 54-127)

Starter Drive
12-T, CW, 19-SPL
Positive Engagement

For: Delco 50MT Series DD Starters
Replaces: Delco 1979835
Unit Nos: Delco 1109497, 1109632, 1109757, 1109779, 1109792, 1109849, 1990232, 1990240, 1990247, 1993781, 10478862
Dim: 15.9mm ID, 45.5mm Gear OD, 168mm L
Features:
• Accurate
• AccuSure Positive Engagement



4-486 **54-123-3**
Accurate Best Value

Starter Drive
11-T, CW, 19-SPL
Positive Engagement

For: Delco 40MT, 42MT, 50MT Series DD Starters
Replaces: Delco 830620, 1935487, 1945487, 1952083, 1955777, 1960370; Leece-Neville 77600
Unit Nos: Delco 1109222, 224-292, 295, 296, 298, 493, 494, 545, 553-555, 625, 627, 629-631, 638, 642, 643, 646, 647, 649, 755, 758, 759, 768, 769, 771-777, 780, 781, 788-791, 793, 795-799, 831, 833, 834, 836-842, 844-846, 961, 963, 965, 966, 968, 970, 971, 973, 974, 977-980, 983-986, 988, 996, 999; 1113372, 375, 406, 475, 500, 532, 543, 546, 638, 643, 645, 818, 820, 824, 825, 831, 832, 842, 845, 846, 849-851, 855, 858, 859, 864, 865, 866, 872, 876-879, 883, 884, 887, 892, 895, 898-900, 902, 905, 906, 908-911, 914-916, 918, 920, 921, 926, 931, 935, 937, 938, 948, 952, 954-958, 965, 966, (cont'd.)

(cont'd.)
968, 970-981, 983, 986, 991, 994, 995, 997, 999; 1114051, 054-056, 058, 064, 066, 067, 070-074, 076, 078, 081, 083-092, 095, 096, 098, 099, 102, 103, 105, 107, 111, 113, 115, 116, 119, 122, 124, 126, 128, 130, 133, 134, 135, 137, 140, 143, 145, 147, 148, 150, 157, 161, 163, 164, 165, 170, 172, 173, 176, 178, 179, 180, 182, 184-189, 193, 194, 196, 197, 700, 701, 710, 715, 719, 720, 722, 723, 725-728, 730, 737, 738, 741, 747, 749-752, 755-758, 760-763, 766, 769, 776, 779, 781, 783, 784, 786, 788, 790, 797-801, 803, 804, 806, 810-821, 842, 844, 846-855, 866-868, 873-880, 889-901, 903, 906, 907, 909, 912, 913, 915, 916, 918, 919, 923, 924, 928, 931, 932, 935, 937-941, 943, 947, 950, 951, 956-958, 961-965, 970-975, 978, 979, 982, 984, 985, 987-990, 992, 993, 997, 999; 1990201, 202, 209, 222, 224-226, 229-235, 237, 239, 242, 244, 246, 248-251, 253-264, 266-279, 291, 296, 298, 303, 307, 328, 333, 337, 344, 348, 352, 354, 355, 358, 361, 363, 367, 368, 375, 376, 378, 382, 383, 386, 388, 391, 393, 396, 398, 400, 411, 416, 418, 420-424, 428, 431, 434, 437, 440, 446, 449, 450, 454, 456, 458, 459, 460, 462, 463, 464, 468, 470, 475, 477, 478, 482-485, 489, 490, 491, 493, 495; 1993700, 708, 740, 743, 753, 776, 788, 798, 802, 803, 805, 807, 810, 816, 823, 828, 835, 842, 852, 859, 860, 864, 922, 924, 932-934, 941, 959, 960, 968, 975, 977, 982, 987, 998; 10478800, 802, 807-810, 813, 824, 827-830, 843-845, 848-850, 852, 855, 856, 858, 859, 861, 863, 865-868, 870, 871, 873, 876-885, 887-889, 893-895, 905-912, 915-917, 919, 932, 935, 937, 938, 943, 946, 951, 952, 964, 980, 983, 986-988, 990, 991, 996, 998; 10479000, 001, 006, 010, 017, 028, 030, 037, 038, 050, 062, 065, 067, 072, 080-082, 090, 137, 138, 144, 145, 164, 168
Dim: 15.9mm ID, 56.5mm Gear OD, 120mm L



4-489 **54-124-3**
Accurate Best Value
Starter Drive
12-T, CW, 19-SPL
Positive Engagement

For: Delco 40MT, 42MT, 50MT Series DD Starters
Replaces: Delco 800068, 1894213, 1893560, 1946957, 1948606; Leece-Neville 77601
Unit Nos: Delco 1109624, 628, 637, 640, 645, 847, 848, 998; 1113305, 353, 366, 370, 371, 378, 379, 384, 386, 387, 393, 403, 407, 410, 415, 472, 479, 481, 483, 486, 487, 534-536, 538, 540-542, 544, 545, 547, 583, 584, 585, 587, 631, 658, 664, 669, 670, 674, 678, 691, 827, 840, 853, 928, 939, 942, 945, 949-951, 959, 960, 962, 964, 967, 969, 982, 990, 992, 993, 998; 1114109, 110, 112, 114, 117, 120, 121, 125, 127, 129, 136, 138, 139, 141, 142, 144, 149, 151-153, 156, 158, 160, 162, 166, 167, 169, 171, 174, 175, 181, 190-192, 198, 199, 703-709, 711, 712, 714, 724, 729, 733-735, 740, 742-746, 748, 753, 754, 759, 765, 767, 772-774, 777, 780, 782, 787, 791, 793, 802, 805, 807, 822-836, 843, 845, 856-864, 869-872, 881-888, 905, 910, 911, 914, 917, 933, 942, 945, 949, 953, 955, 966-969, 976, 977, 986, 989, 991; 1990200, 205, 208, 219-221, 228, 243, 280, 297, 299, 300, 302, 304, 324, 325, 335, 342, 343, 349, 350, 353, 356, 357, 359, 360, 362, 364, 366, 369, 370-374, 379, 385, 387, 394, 397, 401-408, 413-415, 419, 427, 429, 432, 441, 451, 452, 453, 455, 457, 466, 467, 469, 471, 474, 481, 487, 492, 496, 497; 1993703, 704, 739, 772, 775, 782, 783, 795, 796, 797, 804, 806, 808, 811-815, 820, 822, 824, 833, 847, 856, 863, 925, 935-940, 942-945, 961, 973, 980, 983, 984, 989, 991, 993; 10478803, 804, 860, 864, 869, 903, 918, 931, 933, 934, 936, 939, 940-942, 944, 947, 948, 962, 965-967, 977, 984, 989, 992, 997; 10479003, 004, 005, 008, 009, 011, 018, 019, 021, 022, 026, 027, 040, 041, 052, 053, 063, 064, 078, 091, 092, 182
Dim: 15.9mm ID, 46.5mm Gear OD, 120mm L

STARTER - STARTER DRIVES (4- ACCURATE, 54- WAI)

DELCO

40MT, 42MT, 50MT Series
(15.9mm ID) (cont'd.)



4-492
(Ref# 54-122)
Starter Drive
13-T, CW, 19-SPL
Positive Engagement

For: Delco 40MT, 42MT Series DD Starters

Replaces: Delco 800069, 1894214, 1893562, 1947520

Unit Nos: Delco 1113830, 852, 871, 873, 940, 941, 988; 1114052, 077, 094, 101, 146, 154, 168, 770, 771, 775, 785, 789, 796, 839, 865, 904, 920, 921, 926, 927, 934, 936, 944, 996; 1990223, 346, 377, 435, 438, 448, 473; 1993785, 786, 923; 10478820, 985

Dim: 15.9mm ID, 49.5mm Gear OD, 120mm L

Features:

- Accurate
- AccuSure Positive Engagement



4-497 **54-125-2**
Accurate Best Value
Starter Drive
11-T, CCW, 19-SPL
Positive Engagement

For: Delco 40MT, 42MT, 50MT Series DD Starters

Replaces: Delco 800067, 830621, 1894212, 1977004; Leece-Neville 64235

Unit Nos: Delco 1109220, 221, 274, 297, 626, 648, 828, 829, 830, 962, 964, 975; 1113856, 857, 874, 875, 889, 907, 917, 927, 953, 984; 1114047, 059, 062, 063, 075, 080, 093, 097, 100, 104, 106, 183, 702, 718, 736, 739, 778, 792, 808, 840, 841, 902, 922, 925, 930, 952, 959, 960; 1990210, 212, 213, 215, 216, 217, (cont'd.)

(cont'd.)

236, 245, 252, 265, 339, 340, 380, 381, 389, 395, 430, 436, 439, 447, 494; 1993827, 849, 996, 999; 10478836, 851, 854, 857, 872, 874, 875, 892, 978, 979, 981; 10479002, 173

Dim: 15.9mm ID, 56.5mm Gear OD, 120mm L



472006 **54-1205-2**
Accurate Best Value
Pinion Gear

12-T, CW, 17-Ratchet

For: Delco 40MT, 42MT, 50MT Series DD Starters

Dim: 46.5mm Gear OD, 45mm L

Note: Used in 4-311VN (54-127), 4-472 (54-118), 4-489 (54-124-2) positive engagement type drives



472009
(Ref# 54-1204-1)
Pinion Gear

12-T, CW, 15-Ratchet

For: Delco 40MT, 42MT, 50MT Series DD Starters

Dim: 46.5mm Gear OD, 45mm L

Note: Used in 4-311VN (54-127), 4-472 (54-118), 4-489 (54-124-2) positive engagement type drives

Features:

- Accurate



486009 **54-1202**
Accurate Best Value
Pinion Gear

11-T, CW, 15-Ratchet

For: Delco 40MT, 42MT, 50MT Series DD Starters

Dim: 56.5mm Gear OD, 45mm L

Note: Used in 4-309VN (54-126), 4-486 (54-123-2), 4-488 (54-114) positive engagement type drives.



492009
(Ref# 54-1206-1)
Pinion Gear

13-T, CW, 15-Ratchet

For: Delco 40MT, 42MT Series DD Starters

Dim: 49.5mm Gear OD, 45mm L

Note: Used in 4-465 (54-130), 4-492 (54-122) positive engagement type drives

Features:

- Accurate



497006 **54-1207-2**
Accurate Best Value
Pinion Gear

11-T, CCW, 15-Ratchet

For: Delco 40MT, 42MT, 50MT Series DD Starters

Dim: 56.5mm Gear OD, 45mm L

Note: Used in 4-497 (54-125) positive engagement type drive

STARTER - STARTER DRIVES (4- ACCURATE, 54- WAI)

40MT, 50MT Series (19mm ID)



4-465

(Ref# 54-130)

Starter Drive

13-T, CW, 19-SPL

Positive Engagement

For: Delco 40MT Series; Leece-Neville; Prestolite DD Starters

Replaces: Delco 1932603, 1985131; Leece-Neville 13539, M029013539; Prestolite 59-225, PD-13A

Unit Nos: Delco 1113350, 369, 374, 801, 804, 811, 817; Leece-Neville 7282M, 7408MA, 8282M; Prestolite MES-6403JUT

Dim: 19mm ID, 49.5mm Gear OD, 118mm L

Features:

- Accurate
- AccuSure Positive Engagement



4-472

Accurate

54-118-2

Best Value

Starter Drive

12-T, CW, 19-SPL

Positive Engagement

For: Bosch 420 Series; Delco 40MT Series; Leece-Neville; Prestolite MES, MFJ, MFY Series DD Starters

Replaces: Bosch 2-006-202-000; Delco 1918866, 1921998, 1932605; Leece-Neville 75249; Prestolite PD-7A

Unit Nos: Bosch 0-001-420-001, -003, -004, -005, -009, -012, -013, -014, -015; 0-001-421-003, -004; Delco 1108987; 1109158, 169, 170, 172, 178, 184, 229, 230, 233, 235, 236, 249, 801; 1113311, 313, 327, 337, 359, 602, 603, 605, 607, 617, 620, 621, 774, 775; 1114024, 036, 043, 044, 045; Prestolite MFY-6201K, MFY-6401A, MFY-6401K

Dim: 19mm ID, 46.5mm Gear OD, 120mm L



4-488

Accurate

54-114-2

Best Value

Starter Drive

11-T, CW, 19-SPL

Positive Engagement

For: Bosch 420 Series; Delco 40MT Series DD Starters

Replaces: Bosch 2-006-202-001; Delco 1932031

Unit Nos: Bosch 0-001-420-002, -006, -007, -008, -010, -011; 0-001-421-007; Delco 1108822, 894, 895; 1109234, 237, 248, 823, 874, 891; 1113606, 612, 619, 741, 747, 751, 772, 773, 783, 784, 785, 803, 805, 807, 808, 815, 885; 1114041

Lester Nos: 3053, 3056, 3057, 3058, 3060, 3061, 3098, 3777, 3846, 3896, 3976, 4749, 4984, 5320, 18022, 18038

Dim: 19mm ID, 56.5mm Gear OD, 120mm L

Note: Similar to 4-488-118 (54-172) used on Leece-Neville, Prestolite except 4-488-118 is 118mm L



54-129

(Ref# 4-461)

Starter Drive

11-T, CCW, 19-SPL, Positive

Engagement

For: Delco 50MT Series DD Starters

Replaces: Delco 1933404; Leece-Neville 76308

Unit Nos: Delco 1113344

Dim: 19mm ID, 56.5mm Gear OD, 118mm L

Features:

- Best Value
- 100% New at rebuilt prices

41MT Series



4-487

Accurate

54-153

Best Value

Starter Drive

12-T, CW, 19-SPL

Positive Engagement

For: Delco 41MT Series DD Starters

Replaces: Delco 10472565

Unit Nos: Delco 1993995; 10478812, 817, 818, 925, 926, 961, 999; 10479013, 060, 061, 071, 098, 102, 139, 172, 215

Lester Nos: 6513; 6613, 17, 30, 32, 33, 34, 62, 64, 66, 68

Dim: 15.9mm ID, 46mm Gear OD, 102mm L

Note: Also used on WAI's positive engagement replacement starters for 37MT applications: 50-160-1, 50-162-1



4-491

Accurate

54-154-2

Best Value

Starter Drive

11-T, CW, 19-SPL

Positive Engagement

For: Delco 41MT Series DD Starters

Replaces: Delco 10476528

Unit Nos: Delco 10478897, 10478898, 10479023, 10479024, 10479043, 10479079, 10479165

Lester Nos: 6631, 6635, 6663, 6665

Dim: 15.9mm ID, 57mm Gear OD, 102mm L

STARTER - STARTER DRIVES (4- ACCURATE, 54- WAI)

DELCO

PG100, PG150 Series



4-319
Accurate

54-152-1
Best Value

Starter Drive 9-T, CW, 6-SPL

For: Delco PG100, PG150 Series PMGR Starters

Used On: (1993-88) Pontiac LeMans, Saturn

Replaces: Delco 10497257

Unit Nos: Delco 9000751, 9000758, 9000785, 21020892, 21020893, 21021366, 21021648

Lester Nos: 6401, 6432, 6433

Dim: 12mm ID, 25mm Gear OD, 64mm L



4-321
Accurate

54-141-5
Best Value

Starter Drive 9-T, CW, 6-SPL

For: Delco PG200, PG250 Series PMGR Starters

Used On: (1995-88) Buick, Cadillac, Chevrolet, GMC, Oldsmobile, Pontiac; Mercury Marine

Replaces: Delco 10469173, 10498527, D2048

Unit Nos: Delco 9000719, 9000735, 9000762, 9000763, 9000768, 9000773, 9000775, 9000776, 9000789, 9000796, 9000797

Lester Nos: 6300, 6407, 6409, 6431, 6442, 6443

Dim: 12mm ID, 25.5mm Gear OD, 68mm L

Note: Used on 12-spline drive shafts

54-173-1 Starter Drive 9-T, CW, 6-SPL

Same as 54-173 except...

Features:

- Premium Quality
- Mfd. by OE Supplier



54-174 Starter Drive 11-T, CW, 6-SPL

For: Delco PG260G, PG260L Series PMGR Starters

Used On: (2004-01) AM General, Buick, Cadillac, Chev., GMC, Isuzu, Olds., Pontiac

Unit Nos: Delco 8000052, 8000059, 8000061, 9000871, 9000872, 9000873, 9000874, 9000875, 9000878, 9000879, 9000880, 9000882, 9000884, 9000885, 9000895, 9000904, 9000910, 9000925, 9000926, 9000927, 9000931, 9000962, 9000964, 9000966, 9000973, 9000979

Lester Nos: 6449, 6472, 6480, 6482, 6484, 6485, 6489, 6490, 6492, 6792

Dim: 12mm ID, 29.5mm Gear OD, 47mm L

Features:

- Best Value
- 100% New at rebuilt prices

PG200, PG250 Series



4-320
Accurate

54-140-5
Best Value

Starter Drive 9-T, CW, 3-SPL

For: Delco PG200 Series PMGR Starters

Replaces: Delco 1989214, D2047

Unit Nos: Delco 9000719

Lester Nos: 6407

Dim: 12mm ID, 25.5mm Gear OD, 68mm L

Note: With splines inset 5mm.

Similar to 4-324 (54-149) except 4-324 has splines flush to end of drive.

PG260D, PG260G, PG260L Series



54-173 Starter Drive 9-T, CW, 6-SPL

For: Delco PG260D, PG260L Series PMGR Starters

Used On: (2005-01), Buick, Cadillac, Chevrolet, GMC, Oldsmobile, Pontiac, Saturn

Unit Nos: Delco 8000045, 8000058, 9000856, 9000868, 9000876, 9000881, 9000896, 9000901, 9000933, 9000939, 9000951, 9000977, 10455504, 89017523

Lester Nos: 6471, 6491, 6493, 6494

Dim: 12mm ID, 25.5mm Gear OD, 47mm L

Features:

- Best Value
- 100% New at rebuilt prices



54-175 Starter Drive 9-T, CW, 6-SPL

For: Delco PG260D Series PMGR Starters

Used On: (2005-03) Nissan

Replaces: Delco 10500475

Unit Nos: Delco 9000908, Hitachi S114-900, Nissan 23300-8U300

Lester Nos: 6749

Dim: 12mm ID, 29mm Gear OD, 47mm L

Features:

- Best Value
- 100% New at rebuilt prices

STARTER - STARTER DRIVES (4- ACCURATE, 54- WAI)

PG260F1 Series



4-377 **54-157-1**
 Accurate Best Value
Starter Drive
9-T, CW, 6-SPL

For: Delco PG150S, PG260F1 Series PMGR Starters
Used On: (2001-94) Buick, Chevrolet, Daewoo, GMC, Isuzu, Mercury Marine, Oldsmobile, Pontiac, Saturn
Replaces: Delco 10475974
Unit Nos: Delco 9000794, 9000833, 9000837, 9000839, 9000840, 9000847, 9000859, 21020761
Lester Nos: 6445, 6481, 6723, 6724
Dim: 12mm ID, 25.5mm Gear OD, 45mm L

PG260M Series



4-375 **54-155-1**
 Accurate Best Value
Starter Drive
11-T, CW, 6-SPL

For: Delco PG260M Series PMGR Starters
Used On: (2001-94) Buick, Cadillac, Chevrolet, Chevrolet Truck, GMC, Isuzu, Mercury Marine, Oldsmobile, Pontiac, Saturn
Replaces: Delco 10475616
Unit Nos: Delco 9000786, 9000798, 9000804, 9000806, 9000819, 9000820, 9000821, 9000822, 9000834, 9000835, 9000850, 9000851, 9000853, 9000860, 9000861, 9000863, 9000866, 9000867, 9000899
Lester Nos: 6449, 6470, 6472, 6480, 6482, 6487, 6492, 6560, 6561, 6562, 6563
Dim: 12mm ID, 29.5mm Gear OD, 61mm L
Components:
 54-1214 Pinion Gear



54-1214
Pinion Gear
11-T, CW

For: Delco PG260M Series PMGR Starters
Unit Nos: Delco 9000786, 9000798, 9000804, 9000806, 9000819, 9000820, 9000821, 9000822, 9000834, 9000835, 9000850, 9000851, 9000853, 9000860, 9000861, 9000863, 9000866, 9000867, 9000899
Lester Nos: 6449, 6470, 6472, 6480, 6482, 6487, 6492, 6560, 6561, 6562, 6563
Dim: 12mm ID, 29.5mm Gear OD
Note: Used in 4-375, 54-155-1 starter drive
Features:
 • Best Value
 • 100% New at rebuilt prices

PG260F2 Series



4-378 **54-168-1**
 Accurate Best Value
Starter Drive
11-T, CW, 6-SPL

For: Delco PG260F2 Series PMGR Starters
Used On: (2002-97) Buick, Chevrolet, GMC, Isuzu, Oldsmobile, Pontiac
Replaces: Delco 10492409
Unit Nos: Delco 9000836, 9000841, 9000854, 9000857, 9000858, 12563176, 12563828, 12563880, 12563908, 12572715, 24506694; Isuzu 8-10465-462-0
Lester Nos: 6484, 6485, 6489
Dim: 12mm ID, 29.5mm Gear OD, 47mm L



4-376 **54-156-1**
 Accurate Best Value
Starter Drive
9-T, CW, 6-SPL

For: Delco PG260M Series PMGR Starters
Used On: (2001-95) Cadillac, Chevrolet Truck, GMC Truck, Oldsmobile
Replaces: Delco 10476642
Unit Nos: Delco 9000805, 9000812, 9000827, 9000844, 9000862, 9000864, 9000865, 9000900
Lester Nos: 6452, 6471, 6486
Dim: 12mm ID, 25.5mm Gear OD, 61mm L



4-380 **54-166-5**
 Accurate Best Value
Starter Drive
9-T, CW, 3-SPL

For: Delco SD205, SD255 Series DD Starters
Used On: (2000-96) Buick, Cadillac, Chevrolet, GMC, Isuzu, Oldsmobile, Pontiac
Replaces: Delco 10487536, D2058
Unit Nos: Delco 10455064, 10455065, 10455069, 10455072, 10455073, 10455074, 10455080, 10455081, 10455084, 24507410
Lester Nos: 6473, 6474, 6483
Dim: 12mm ID, 25.5mm Gear OD, 72mm L
Note: 15.5mm wide shift lever button flange.
Components:
 54-1211 Pinion

STARTER - STARTER DRIVES (4- ACCURATE, 54- WAI)

DELCO

SD205, SD255 Series (cont'd.)



54-167-5
(Ref# 4-380C)
Starter Drive
9-T, CW, 3-SPL

For: Delco SD255 Series DD Starters
Used On: (1998-96) Buick, Chevrolet, Oldsmobile, Pontiac
Replaces: Delco 10487934, D2059
Unit Nos: Delco 10455066, 10455067, 10455071, 24507409
Lester Nos: 6475, 6476
Dim: 12mm ID, 25.5mm Gear OD, 72mm L
Note: Cushion pinion drive.
15.5mm wide shift lever button flange.
Components:
54-1211 Pinion
Features:

- Best Value
- 100% New at rebuilt prices
- Cushioned pinion design

SD210, SD260 Series



4-324 **54-149-5**
Accurate Best Value
Starter Drive
9-T, CW, 3-SPL

For: Delco SD210, SD260 Series DD Starters
Used On: (1996-90) Buick, Cadillac, Chevrolet, GMC, Isuzu, Oldsmobile, Pontiac
Replaces: Delco 10473700, 10477566, D2050, D2057
Unit Nos: Delco 10455010, 011, 012, 013, 025, 026, 042, 047, 048, 050, 051, 053, 054, 060, 061, 070, 076, 078
Lester Nos: 6415, 6416, 6418, 6419, 6424
Dim: 12mm ID, 25.5mm Gear OD, 69mm L
Note: Splines are flush to end of drive.
For heavy duty version use 4-358.
Similar to 4-320 (54-140) except 4-320 has splines inset 5mm from end of drive.
Components:
54-1211 Pinion

4-324B Starter Drive 9-T, CW, 3-SPL

Same as 4-324 except...
Features:

- Accurate
- Bulk packaged, 25/case



4-358
(Ref# 54-149)
Starter Drive
9-T, CW, 3-SPL

For: Delco SD210, SD260 Series DD Starters
Used On: (1996-90) Buick, Cadillac, Chevrolet, GMC, Isuzu, Oldsmobile, Pontiac
Replaces: Delco 10473700, 10477566, D2050, D2057
Unit Nos: Delco 10455010, 011, 012, 013, 025, 026, 042, 047, 048, 050, 051, 053, 054, 060, 061, 070, 076, 078
Lester Nos: 6415, 6416, 6418, 6419, 6424
Dim: 12mm ID, 25.5mm Gear OD, 69mm L
Note: Splines are flush to end of drive.
For standard version use 4-324.
Similar to 4-320 (54-140) except 4-320 has splines inset 5mm from end of drive.
Components:
54-1211 Pinion
Features:

- Accurate Magnum Drive
- Heavy duty 5-roller w/ deep cavity body design
- Heavy duty stem & cam springs
- Extreme temperature lubrication

Screw Type Drive



4-121C
(Ref# 54-142)
Starter Drive

10-T or 11-T, CCW

For: Delco, Ford, Prestolite Starters
Used On: Allis-Chalmers, American Motors, Case, Caterpillar, John Deere, Lincoln, Massey Ferguson, Mercury
Replaces: Case A25648, A40454; Caterpillar 7N6068, 9B8901; Delco 1868804, 1864682, 1922819; Ford 8HA-11350-A; Prestolite 59-10, 59-12, 59-60
Unit Nos: Delco 1107006, 017, 024, 029, 030, 035, 036, 044, 045, 059, 060, 064, 067, 093, 094, 127, 165, 169, 174, 200, 408, 412, 425, 427, 436, 440, 444, 448, 449, 466, 472, 474, 491, 701, 803, 820, 822, 823, 878, 880, 886, 949, 951, 962; 1108012, 016, 036, 038, 041, 060, 072, 080, 092, 093, 096, 097, 098, 099, 125, 129, 174, 176, 185, 461, 464, 637, 645, 968, 977; 1109385, 392, 605, 614, 617, 618, 676
Lester Nos: 3611, 4008, 4010, 4013, 4014, 4015, 4018, 4024, 4033, 4034, 4042, 4043, 4052, 4078, 4126, 4128, 4132, 4154, 4155, 4181, 4258, 4259, 4260, 4261, 4364, 4367, 4406, 4411, 4413, 4415, 4480, 4544, 4676, 4770, 4773, 4789
Dim: 15.9mm ID, 40mm Gear OD, 132mm L
Note: Screw type drive complete w/ spring & drive head
Features:

- Accurate

STARTER - STARTER DRIVES (4- ACCURATE, 54- WAI)



4-131C
(Ref# 54-143)
Starter Drive
14-T, CCW

For: Delco, Prestolite Starters
Used On: Allis-Chalmers, Case
Replaces: Delco 1880651, Ford SDX204, Leece-Neville MO290-4131; Prestolite 59-84, 59-153, EBA-55, EBB-34A
Unit Nos: Delco 1107027, 1107043, 1107046, 1107096; Prestolite MAW4031, MBP4008T, MZ4117
Lester Nos: 4012, 4017, 4019, 4035, 5089
Dim: 15.9mm ID, 49mm Gear OD, 133mm L
Note: Screw type drive complete w/ spring & drive head
Features:
 • Accurate

ELECTROPRECIZIA (ROMANIA)



4-830
(Ref# 54-9900)
Starter Drive
9-T, CW, 6-SPL

For: Electroprecizia DD Starters (Romanian)
Used On: Allis-Chalmers, Long Tractor
Unit Nos: Electroprecizia DM2130, DM2134
WAI Ref. Nos: 2-1805-RO
Dim: 14mm ID, 34.5mm Gear OD, 77mm L
Features:
 • Accurate

FORD

4", 4-1/2" Starters



4-236
Starter Drive
9-T, CW, 4-SPL

For: Ford 4-1/2" DD Starters
Used On: Ford Trucks
Replaces: Ford C4TF-11350-A; C4TZ-11350-A, -B; C8TF-11350-A, D6TF-11350-AA, SD-153, SD-168,
Unit Nos: Ford B4TZ-11002-A, B7TZ-11002-A, C4TF-11001-A
Lester Nos: 3130
Dim: 12.0mm ID, 29mm Gear OD, 72mm L
Features:
 • Accurate



4-238
Starter Drive
10-T, CW, 3-SPL

For: Ford 4-1/2" DD Starters
Used On: Ford Tractors
Replaces: Ford C5NF-11350-B, D1NN-11350-B, SD-173
Unit Nos: Ford C5NF-11001-B, C7NF-11001-B, D1NN-11001-A
Lester Nos: 3139
Dim: 12.7mm ID, 33mm Gear OD, 77mm L
Features:
 • Accurate



4-242
(Ref# 54-204)
Starter Drive
9-T, CW, 4-SPL

For: Ford 4" Mod II, 4-1/2", 4-1/2" Mod I, 4-1/2" Mod II DD Starters
Used On: (1991-73) AMC, Ford, Jeep, Lincoln, Mercury
Replaces: Ford D6PF-11A108-B, D6PZ-11350-B, SD-302
Lester Nos: 3124, 3131, 3132, 3133, 3135, 3149, 3152, 3153, 3154, 3155, 3157, 3160, 3165, 3168, 3169, 3172, 3174, 3176, 3179, 3181, 3187, 3188, 3189, 3198
Dim: 12.7mm ID, 25mm Gear OD, 72mm L
Features:
 • Accurate

4-242B
Starter Drive
9-T, CW, 4-SPL

Same as 4-242 except...
Features:
 • Accurate
 • Bulk packaged, 25/case

STARTER - STARTER DRIVES (4- ACCURATE, 54- WAI)

FORD

4", 4-1/2" Starters (cont'd.)



4-340
(Ref# 54-209)
Starter Drive
9-T, CW, 3-SPL

For: Ford 4-1/2" Solenoid Actuated DD Starters

Used On: (1977-73) Ford, Lincoln, Mercury

Replaces: Ford C8JF-11350-A; C8VF-11350-A, -D; C8VY-11350-A, C9HZ-11350-A, C9JF-11350-A; D6JF-11350-AA, -BA; D6PF-11A108-C, D6PZ-11350-C, D6VF-11350-AA, D6VY-11350-AM, SD-303

Unit Nos: Ford C8VY-11002-C, D0VY-11002-A, D2AF-11001-EA, D2VF-11000-AA, D3OZ-11002-A, D3TZ-11002-C; D4AF-11001-AA, -BA; D4AZ-11002-A; D4OF-11001-AA, -BA; D4VF-11000-AA, -BA; D4VY-11002-A, -B; D5AF-11001-AB, -BA, -BB; D5AZ-11002-A, -B; D5TZ-11002-A, D5VF-11000-AB, D6AF-11001-AA, D6AZ-11002-A, D6TZ-11002-C, D8VY-11002-C

Lester Nos: 3142

Dim: 12mm ID, 25mm Gear OD, 72mm L

Features:

- Accurate



4-341B
(Ref# 54-208)
Starter Drive
9-T, CW, 4-SPL

For: Ford 4-1/2", 4-1/2" Mod DD Starters

Used On: (1987-74) AMC, Jeep

Replaces: Delco 1838065, 1916775, 1938065;

Ford C6FF-11350-B, C8FF-11350-A, C9FF-11350-A, C9FF-11350-B; Leece-Neville 4241

Lester Nos: 3207, 3208, 3209, 3212

Dim: 12mm ID, 24.5mm Gear OD, 76mm L

Features:

- Accurate
- Bulk packaged, 25/case



4-352 **54-202-5**
Accurate Best Value
Starter Drive
9-T, CW, 4-SPL

For: Ford 4" Mod II DD Starters

Used On: (1991-80) Ford, Lincoln, Mercury, Merkur

Replaces: Ford E2BZ-11350-A, E2PZ-11350-A, SD-320

Unit Nos: Ford E25F-11001-AA, E25Y-11002-A, E25Z-11002-A, E2BF-11001-AA, E2BZ-11002-A, E37F-11001-AA, E3AF-11001-AA, E3AZ-11002-A, E3TF-11001-AA; E3TZ-11002-A, -D; E47F-11001-BA, E4AF-11001-AA; E4DF-11001-AA, -BA; E4DZ-11002-B, E4SF-11001-AA, E4TF-11001-AA; E4TZ-11002-A, -B; E6DZ-11002-C, E7DF-11001-AA, E7ZF-11001-AA, E7ZZ-11002-A, E8DF-11001-AA, E8DZ-11002-A

Lester Nos: 3175, 3180, 3185, 3189, 3191, 3198

Dim: 12mm ID, 25mm Gear OD, 70mm L



4-353B
(Ref# 54-210)
Starter Drive
10-T, CW, 4-SPL

For: Ford 4" Mod II DD Starters

Used On: (1990-85) Ford, Mercury

Replaces: Ford E6FZ-11350-A, SD-327

Lester Nos: 3196

Dim: 12mm ID, 26.5mm Gear OD, 72mm L

Features:

- Accurate
- Bulk packaged, 25/case



54-204-5
(Ref# 4-242)
Starter Drive
9-T, CW, 4-SPL

For: Ford 4" Mod II, 4-1/2",

4-1/2" Mod I, 4-1/2" Mod II DD Starters

Used On: (1991-73) AMC, Ford, Jeep, Lincoln, Mercury

Replaces: Ford D6PF-11A108-B, D6PZ-11350-B, SD-302

Lester Nos: 3124, 3131, 3132, 3133, 3135, 3149, 3152, 3153, 3154, 3155, 3157, 3160, 3165, 3168, 3169, 3172, 3174, 3176, 3179, 3181, 3187, 3188, 3189, 3198

Dim: 12.7mm ID, 25mm Gear OD, 72mm L

Features:

- Best Value
- 100% New at rebuilt prices

OSGR Starters



4-354
(Ref# 54-211)
Starter Drive
9-T, CW, 4-SPL

For: Ford OSGR Starters

Used On: (1987-84) Ford, Lincoln, Mercury

Replaces: Ford E4FZ-11350-A, SD-323, SD-324

Lester Nos: 3193, 3194

Dim: 12mm ID, 29mm Gear OD, 70mm L

Features:

- Accurate

STARTER - STARTER DRIVES (4- ACCURATE, 54- WAI)



54-217
Starter Drive
12-T, CW

For: Ford 3.0-3.5kW OSGR Starters
Used On: (2005-01) Ford 6.0L, 7.3L (Powerstroke Diesel)
Unit Nos: Ford 1C3U-11000-AA, -AB, -AE; 1C3Z-11002-AA; 2C3T-11000-AA, -AB; 2C3Z-11002-A; 3C3U-11000-AB, -AC; 3C3Z-11002-AA
Lester Nos: 6669, 6670
Dim: 37mm Gear OD, 115mm L
Components:
 6-203-4 Ball Bearing
 6-205-4 Ball Bearing
Features:

- Best Value
- 100% New at rebuilt prices

PMGR Noseless Starters



4-1050 **54-2400-1**
Accurate Best Value
Clutch Assembly
CW, 18-SPL

For: Ford PMGR Noseless Starters
Used On: (2005-99) Ford, Lincoln
Replaces: Ford F81U-11350-AB
Unit Nos: Ford 1L2U-11000-AA, 1L2Z-11002-AA, 1W4U-11000-CA; F81U-11000-AA, -AC, -AD; F81Z-11002-AA; XL1U-11000-AA, -AB; XL1Z-11002-AA, XW4U-11000-CG, XW4Z-11002-CG
Lester Nos: 6646, 6647, 6652, 6658
Dim: 82mm L



4-1051 **54-2200-1**
Accurate Best Value
Pinion Gear
12-T, CW, 18-SPL

For: Ford PMGR Noseless Starters
Used On: (2005-99) Ford, Lincoln
Unit Nos: Ford F81U-11000-AA, F81U-11000-AC, F81U-11000-AD, F81Z-11002-AA; SA-873
Lester Nos: 6646
Dim: 32mm Gear OD, 15mm L
Note: Used w/ 4-1050 (54-2400) Clutch



4-1052
(Ref# 54-2201)
Pinion Gear
10-T, CW, 18-SPL

For: Ford PMGR Noseless Starters
Used On: (2005-99) Ford
Unit Nos: Ford XL1U-11000-AA, -AB; XL1Z-11002-AA; SA-875
Lester Nos: 6647
Dim: 27.5mm Gear OD, 15mm L
Note: Used w/ 4-1050 Clutch.
Features:

- Accurate



4-355 **54-212-2**
Accurate Best Value
Starter Drive
10-T, CW, 12-SPL

For: Ford PMGR Starters
Used On: (2005-89) Ford, Ford Truck, Lincoln, Mazda, Mercury
Replaces: Ford E9OZ-11350-A, F5DZ-11350-A, SD-337, SD-357
Lester Nos: 3204, 3205, 3213, 3217, 3223, 3224, 3225, 3226, 3231, 3232, 3234, 3235, 3238, 3239, 3240, 3241, 3242, 3246, 3247, 3263, 3264, 3266, 3268, 3269, 3270, 3271, 3272, 3273, 3274, 6640, 6641, 6644, 6645, 6648
Dim: 12mm ID, 28mm Gear OD, 48mm L
Note: White plastic ring for shift lever engagement.
 Similar to 4-359 (54-216) w/ pink plastic ring for shift lever engagement except 4-359 has different pinion gear dimensions.

4-355B
(Ref# 54-212)
Starter Drive
10-T, CW, 12-SPL

Same as 4-355 except...
Features:

- Accurate
- Bulk packaged, 25/case



4-356 **54-214-1**
Accurate Best Value
Starter Drive
9-T, CW, 12-SPL

For: Ford PMGR Starters
Used On: (1996-91) Ford, Mercury
Replaces: Ford F0FZ-11350-A, SD-340
Unit Nos: Ford F0FZ-11002-B, F7PZ-11002-AA
Lester Nos: 3214, 6653
Dim: 12mm ID, 29.5mm Gear OD, 48mm L

STARTER - STARTER DRIVES (4- ACCURATE, 54- WAI)

FORD

PMGR Starters (cont'd.)



4-357 **54-215-1**
Accurate Best Value
Starter Drive
12-T, CW, 12-SPL

For: Ford PMGR Starters
Used On: (2005-92) Ford, Lincoln, Mercury
Replaces: Ford F2VY-11350-A, F5VZ-11350-AA, SD-341
Unit Nos: Ford 1F1U-11000-AA, 1F1Z-11002-AA; F2VU-11000-AC, -AD; F2VY-11002-A, F3DU-11000-BA, F3DZ-11002-B, F3LU-11000-AA, F3LY-11002-A, F4LU-11000-AA, F6VU-11000-AA, F6VZ-11002-AA; F75U-11000-AA, -AB, -AC; F75Z-11002-AA; F7LU-11000-AA, -BA; F7LZ-11002-AA, -BA; F7PU-11000-JA, F7PZ-11002-JA, F7UU-11000-AA, F7UZ-11002-AA, YF1U-11000-AA, YF1Z-11002-AA
Lester Nos: 3221, 3230, 3264, 3267, 6642, 6643, 6654
Dim: 12mm ID, 32mm Gear OD, 48mm L



4-359 **54-216-1**
Accurate Best Value
Starter Drive
10-T, CW, 12-SPL

For: Ford PMGR, PMGR External Thru Bolt Starters
Used On: (2005-95) Ford, Mazda, Mercury
Replaces: Ford F3RZ-11350-A, SD-353
Unit Nos: Ford 93BB-11000-HB, -HC, -JB; 96BB-11000-AA, 98AB-11000-EC; F3RZ-11002-A, -B; YS4Z-11002-EA, -EB
Lester Nos: 3261, 3262, 6655
Dim: 12mm ID, 27mm Gear OD, 48mm L
Note: Pink plastic ring for shift lever engagement. Similar to 4-355 (54-212) w/ white plastic ring for shift lever engagement except 4-355 has different pinion gear dimensions



54-218
Starter Drive
11-T, CW, 6-SPL

For: Ford PMGR, PMGR External Thru Bolt Starters
Used On: (2005-00) Ford, Jaguar, Lincoln, Mazda
Unit Nos: Ford 1L5T-11000-AA, 1L5Z-11002-AA, 6S4Z-11002-AA, XW4U-11000-AC, XW4Z-11002-AC; Jaguar C2C-1127
Lester Nos: 6651, 6657, 6674
Dim: 12mm ID, 34.5mm Gear OD, 47mm L
Features:
• Best Value
• 100% New at rebuilt prices



4-896
(Ref# 54-8132)
Starter Drive
8-T, CW, 10-SPL

For: Hitachi OSGR Starters
Used On: (1989-79) Nissan
Replaces: Hitachi 2114-25006, 2114-35507, 2114-95008; Nissan 23312-M4901, 23312-M4902
Unit Nos: Hitachi S114-252, A, C, E, F; S114-322, A; S114-393
Lester Nos: 16694, 16803, 16982
WAI Ref. Nos: 2-1080-HI, 2-1095-HI, 2-1105-HI
Dim: 28mm Gear OD, 87mm L
Components:
4-727 (54-81205) Pinion
4-1072 (54-81400) Clutch
79-81102 Stop Collar Kit
Features:
• Accurate

HITACHI

8-T, CW



4-692 **54-8101-1**
Accurate Best Value
Starter Drive
8-T, CW, 10-SPL

For: Hitachi DD Starters
Used On: (1991-81) Nissan; John Deere
Unit Nos: Hitachi S114-319, S114-320, S114-320A, S114-348, S114-391A, S114-426, S114-605, S114-607, S114-607A, S114-607C
Lester Nos: 16774, 16805, 16992, 18055
WAI Ref. Nos: 2-1086-HI, 2-1094-HI, 2-1113-HI
Dim: 12.5mm ID, 28mm Gear OD, 60mm L



4-1084 **54-8153-3**
Accurate Best Value
Starter Drive
8-T, CW, 10-SPL

For: Hitachi PMGR Starters
Used On: (1999-93) Nissan
Replaces: Nissan 23312-50Y01
Unit Nos: Hitachi S114-766A, -767, -767A, -800B, -802A, -802B; Nissan 23300-0M200, -0M201, -0M302, -65Y01, -81N01
Lester Nos: 17146
WAI Ref. Nos: 2-1117-HI
Dim: 12.5mm ID, 28mm Gear OD, 38mm L

STARTER - STARTER DRIVES (4- ACCURATE, 54- WAI)



4-1096
(Ref# 54-8150)
Starter Drive
8-T, CW, 10-SPL

For: Hitachi PMGR Starters
Used On: (1997-93) Nissan
Unit Nos: Hitachi S114-754A; Nissan 23300-1E400
Lester Nos: 17477
WAI Ref. Nos: 2-1611-HI
Dim: 12.5mm ID, 28mm Gear OD, 49mm L
Features:
• Accurate



54-8134-1
(Ref# 4-914)
Starter Drive
8-T, CW, 10-SPL

For: Hitachi PMGR Starters
Used On: (1992-89) Nissan
Replaces: Nissan 23312-77A00
Unit Nos: Hitachi S114-517C, -520B, -534; Nissan 23300-65Y00, -77A01, -84A07
Lester Nos: 17146
WAI Ref. Nos: 2-1117-HI
Dim: 12.5mm ID, 28mm Gear OD, 50mm L
Features:
• Best Value
• 100% New at rebuilt prices

8-T, CCW



4-750
(Ref# 54-8103)
Starter Drive
8-T, CCW, 10-SPL

For: Hitachi DD, PMDD Starters
Used On: (1994-82) Nissan, Subaru; Bobcat
(cont'd.)

(cont'd.)

Unit Nos: Hitachi S114-315, S114-316, S114-419, S114-419A, S114-424, S114-556, S114-556A, S114-617A, S114-630

Lester Nos: 16775, 17057, 17147
WAI Ref. Nos: 2-1093-HI, 2-1118-HI, 2-1211-HI

Dim: 12.5mm ID, 28mm Gear OD, 82mm L

Components:
62-81409 Bushing

Features:
• Accurate



4-858
(Ref# 54-8151)
Starter Drive
8-T, CCW, 10-SPL

For: Hitachi PMGR Starters
Used On: (1996-95) Infiniti I30, Nissan Maxima 3.0L
Unit Nos: Hitachi S114-801A, Nissan 23300-31U00
Lester Nos: 17695
WAI Ref. Nos: 2-1694-HI
Dim: 12.5mm ID, 28mm Gear OD, 75mm L
Features:
• Accurate



4-910 **54-8138-1**
Accurate Best Value
Starter Drive
8-T, CCW, 10-SPL

For: Hitachi OSGR Starters
Used On: (1992-85) Nissan
Replaces: Hitachi 2114-65509, Nissan 23312-36A00
Unit Nos: Hitachi S114-440, S114-475A, S114-486
Lester Nos: 16816, 17178
WAI Ref. Nos: 2-1104-HI, 2-1119-HI
Dim: 28mm Gear OD, 94mm L
Components:
4-910PS (54-81209) Pinion
4-1092 (54-81401) Clutch Assy.
79-81102 Stop Collar Kit

9-T, CW



4-421
(Ref# 54-8112)
Starter Drive
9-T, CW, 10-SPL

For: Hitachi DD Starters
Used On: (1982-72) Chevrolet
Unit Nos: Hitachi S114-23K, S114-87M; S114-91, K; S114-92, K; S114-103K, L, M, N, P; S114-108L, S114-118, S114-121N; S114-122, N; S114-126M, S114-134, S114-136; S114-156, A; S114-192
Lester Nos: 16190, 16201, 16203, 16209, 16211, 16270
WAI Ref. Nos: 2-1076-HI, 2-1079-HI, 2-1083-HI, 2-1192-HI, 2-1428-HI, 2-1741-HI
Dim: 13mm ID, 29mm Gear OD, 62mm L
Features:
• Accurate



4-619
(Ref# 54-8109)
Starter Drive
9-T, CW, 10-SPL

For: Hitachi DD Starters
Used On: (1987-70) Isuzu, Nissan, Opel; Ishikawajima, Onan, Toyosha
Lester Nos: 16194, 16203, 16209, 16270, 16711, 16773, 16877, 16993
WAI Ref. Nos: 2-1076-HI, 2-1077-HI, 2-1079-HI, 2-1085-HI, 2-1087-HI, 2-1112-HI, 2-1192-HI, 2-1437-HI, 2-2007-HI
Dim: 12.5mm ID, 29mm Gear OD, 62mm L
Components:
62-81409 Bushing
Features:
• Accurate

STARTER - STARTER DRIVES (4- ACCURATE, 54- WAI)

HITACHI

9-T, CW (cont'd.)



4-621
(Ref# 54-8110)
Starter Drive
9-T, CW, 10-SPL

For: Hitachi DD Starters
Used On: (1984-73) Honda, Isuzu, Nissan
Unit Nos: Hitachi S108-63, S114-140, S114-141, S114-149; S114-160, A, B, D, E, F; S114-162, D; S114-163, B, E; S114-164, S114-211, S114-227, S114-271
Lester Nos: 16207, 16211, 16270, 16499, 16589
WAI Ref. Nos: 2-1006-HI, 2-1083-HI, 2-1192-HI, 2-1436-HI, 2-1724-HI
Dim: 12.5mm ID, 29mm Gear OD, 62mm L
Features:
• Accurate



4-678 **54-8104-5**
Accurate Best Value
Starter Drive
9-T, CW, 10-SPL

For: Hitachi OSGR Starters
Used On: (1989-78) Chevrolet, Isuzu, Nissan, Pontiac (Diesel); Massey Ferguson
Replaces: Isuzu 8-94115-568-0, 8-94149-250-0; Nissan 23312-07G00, -H9100, -N5900, -V5301
Unit Nos: Hitachi S13-62, -62A, -62B, -62C, -82, -82A, -82B; S114-253, -253A, -253B, -254, -254A, -254B, -254C, -254D, -255, -255A, -258, -258A, -258C, -264, -264A, -268A, -296, -296A, -344, -374B, -403B, -429, -429A, -446, -453, -454, -457, -458
Lester Nos: 16540, 584, 611, 740, 811, 813, 986, 997; 17079, 104; 18050
(cont'd.)

(cont'd.)
WAI Ref. Nos: 2-1082-HI, 2-1084-HI, 2-1090-HI, 2-1100-HI, 2-1109-HI, 2-1110-HI, 2-1191-HI, 2-1193-HI, 2-2311-HI
Dim: 29mm Gear OD, 87mm L
Components:
4-738 (54-81200) Pinion
4-1072 (54-81400) Clutch
79-81102 Stop Collar Kit



4-694 **54-8100-1**
Accurate Best Value
Starter Drive
9-T, CW, 12-SPL

For: Hitachi DD, OSGR Starters
Used On: (1986-81) Nissan Pickup (Diesel); Massey Ferguson
Unit Nos: Hitachi S12-19C; S12-63, A, B, C; S12-68, A, B, D; S13-34A, S13-36; S13-40, A; S13-45, A, B; S13-46, A
Lester Nos: 16771, 16808
WAI Ref. Nos: 2-1088-HI, 2-1089-HI
Dim: 14mm ID, 35.5mm Gear OD, 69mm L



4-734
(Ref# 54-8105)
Starter Drive
9-T, CW, 12-SPL

For: Hitachi DD Starters
Used On: Kubota, Melroe, Thermo King
Unit Nos: Hitachi S12-24, S12-41A, S12-58, S12-59, S12-61, S12-82, S13-06A, S13-28, S13-31
Lester Nos: 16739, 17088
WAI Ref. Nos: 2-1193-HI, 2-1734-HI
Dim: 14mm ID, 32.5mm Gear OD, 69mm L
Features:
• Accurate



4-798C **54-8141-5**
Accurate Best Value
Starter Drive
9-T, CW, 10-SPL

For: Hitachi OSGR Starters
Used On: (1986-85) Volvo (Diesel); Race Car Applications w/ 2-Piece D.E. Housing
Unit Nos: Hitachi S13-91; Volvo 1328391, 1328391-6
Lester Nos: 17018, 17138
WAI Ref. Nos: 2-1289-HI
Dim: 25mm Gear OD, 87mm L
Components:
4-798 (54-81201) Pinion
4-1072 (54-81400) Clutch Assy.
79-81102 Stop Collar Kit



4-897
(Ref# 54-8117)
Starter Drive
9-T, CW, 12-SPL

For: Hitachi DD Starters
Used On: Ford Tractor, Ishikawajima
Unit Nos: Hitachi S12-39, S12-62; S13-32, A
Dim: 14mm ID, 34.5mm Gear OD, 67mm L
Features:
• Accurate

STARTER - STARTER DRIVES (4- ACCURATE, 54- WAI)



4-899
(Ref# 54-8133)
Starter Drive
9-T, CW, 10-SPL

For: Hitachi OSGR Starters
Used On: (1985-81) Nissan (Diesel); Nissan Lift Truck
Unit Nos: Hitachi S13-65, S13-69, S13-92A, S13-102, S13-104; S114-357A, B; S114-395A, S114-482
Lester Nos: 16733, 16772, 16809
WAI Ref. Nos: 2-1091-HI, 2-1099-HI, 2-2012-HI, 2-2014-HI
Dim: 35.5mm Gear OD, 87mm L
Components:
 4-899PS (54-81206) Pinion
 4-1072 (54-81400) Clutch Assy.
 79-81102 Stop Collar Kit
Features:
 • Accurate



4-901
(Ref# 54-8119)
Starter Drive
9-T, CW, 10-SPL

For: Hitachi DD Starters
Used On: Komatsu, Nissan Lift Truck, Teledyne Continental
Unit Nos: Hitachi S114-184
WAI Ref. Nos: 2-1736-HI
Dim: 12.5mm ID, 29.5mm Gear OD, 77mm L
Features:
 • Accurate



4-905
(Ref# 54-8125)
Starter Drive
9-T, CW, 10-SPL

For: Hitachi OSGR Starters
Used On: Isuzu, Thermo King
Unit Nos: Hitachi S13-84; S13-89A, B; S13-289, A
Lester Nos: 17088
WAI Ref. Nos: 2-1734-HI, 2-1776-HI
Dim: 32.5mm Gear OD, 87mm L
Components:
 4-905PS (54-81204) Pinion
 4-1072 (54-81400) Clutch
 79-81102 Stop Collar Kit
Features:
 • Accurate



4-906 **54-8135-5**
Accurate Best Value
Starter Drive
9-T, CW, 5-SPL

For: Hitachi PMGR Starters
Used On: (1995-86) Nissan
Unit Nos: Hitachi S114-503A; S114-516, A; S114-528, A
Lester Nos: 16817, 17196
WAI Ref. Nos: 2-1107-HI, 2-1123-HI, 2-1446-HI
Dim: 12.5mm ID, 29.5mm Gear OD, 78mm L



4-908
(Ref# 54-8131)
Starter Drive
9-T, CW, 10-SPL

For: Hitachi DD Starters
Used On: Volvo Penta
Unit Nos: Hitachi S114-232A, S114-237
Lester Nos: 16985
WAI Ref. Nos: 2-1288-HI, 2-1735-HI
Dim: 12mm ID, 25.5mm Gear OD, 76mm L
Features:
 • Accurate



4-912
(Ref# 54-8137)
Starter Drive
9-T, CW, 10-SPL

For: Hitachi PMGR Starters
Used On: (1995-90) Nissan
Unit Nos: Hitachi S114-527, A, B
Lester Nos: 17454
WAI Ref. Nos: 2-1122-HI
Dim: 12.5mm ID, 29.5mm Gear OD, 49mm L
Features:
 • Accurate

STARTER - STARTER DRIVES (4- ACCURATE, 54- WAI)

HITACHI

9-T, CW (cont'd.)



4-1046
(Ref# 54-8140)
Starter Drive
9-T, CW, 10-SPL

For: Hitachi DD Starters
Used On: (1991-84) Honda
Replaces: Hitachi 2114-15508, Honda 31207-PE0-005, Isuzu 5-81123-036-0
Unit Nos: Hitachi S114-385, S114-387; S114-396, D; S114-614
Lester Nos: 16843, 18056, 18322
WAI Ref. Nos: 2-1013-HI, 2-1855-HI
Dim: 12.5mm ID, 29.5mm Gear OD, 77mm L
Features:
• Accurate



4-1083
(Ref# 54-8142)
Starter Drive
9-T, CW, 5-SPL

For: Hitachi PMGR Starters
Used On: (1999-91) Acura, Isuzu, Nissan
Unit Nos: Hitachi S114-701A, C; S114-753
Lester Nos: 17246, 17509
WAI Ref. Nos: 2-1128-HI, 2-1560-HI
Dim: 12.5mm ID, 29.5mm Gear OD, 66mm L
Features:
• Accurate

9-T, CCW



4-1093
(Ref# 54-8143)
Starter Drive
9-T, CCW, 5-SPL

For: Hitachi DD Starters
Used On: John Deere, Kawasaki
Replaces: Hitachi 2108-55003, Kawasaki 316611-8312-B
Unit Nos: Hitachi S108-76A
Dim: 12mm ID, 29mm Gear OD, 62mm L
Features:
• Accurate

10-T, CCW



4-596 **54-8152-5**
Accurate Best Value
Starter Drive
10-T, CCW, 10-SPL

For: Hitachi PMGR Starters
Used On: (1999-96) Infiniti, Nissan
Replaces: Hitachi 2114-45100, Nissan 23312-31U01
Unit Nos: Hitachi S114-801B, C; Nissan, 23300-31U01, -31U02
Lester Nos: 17713
WAI Ref. Nos: 2-1856-HI
Dim: 12.5mm ID, 32mm Gear OD, 75mm L

10-T, CW



4-820
(Ref# 54-8126)
Starter Drive
10-T, CW, 12-SPL

For: Hitachi DD Starters
Used On: Ford Tractor
Unit Nos: Hitachi S13-61A
WAI Ref. Nos: 2-2026-HI
Dim: 14mm ID, 39.5mm Gear OD, 69mm L
Features:
• Accurate

11-T, CW



4-902
(Ref# 54-8120)
Starter Drive
11-T, CW, 5-SPL

For: Hitachi DD Starters
Used On: Yanmar
Unit Nos: Hitachi S114-203, S114-219, S114-230; S114-235, A
WAI Ref. Nos: 2-2015-HI
Dim: 12.5mm ID, 34.5mm Gear OD, 62mm L
Features:
• Accurate

STARTER - STARTER DRIVES (4- ACCURATE, 54- WAI)



4-1091

(Ref# 54-8123)

Starter Drive

11-T, CW, 12-SPL

For: Hitachi DD Starters

Used On: Nissan Lift Truck

Unit Nos: Hitachi S25-64, E

Dim: 14mm ID, 40.5mm Gear OD, 75mm L

Features:

- Accurate



4-1094

(Ref# 54-8144)

Starter Drive

11-T, CW, 8-SPL

For: Hitachi DD Starters

Used On: Navistar, UD Nissan Diesel

Unit Nos: Hitachi S15-02, S15-03

WAI Ref. Nos: 2-1804-HI

Dim: 18mm ID, 40.5mm Gear OD, 98mm L

Features:

- Accurate

11-T, CCW



54-8156

Starter Drive

11-T, CCW, 10-SPL

For: Hitachi PMGR Starters

Used On: (2001-00) Infiniti, Nissan

Unit Nos: Hitachi S114-801D;

Nissan 23300-2Y900

Lester Nos: 17779

WAI Ref. Nos: 2-2062-HI

Dim: 12.5mm ID, 34mm Gear OD, 76mm L

Features:

- Best Value
- 100% New at rebuilt prices

15-T, CW



4-900

(Ref# 54-8118)

Starter Drive

15-T, CW, 10-SPL

For: Hitachi DD Starters

Used On: Industrial Applications, Marine, Yanmar (Diesel)

Unit Nos: Hitachi S114-146, S114-244

Dim: 12.5mm ID, 44mm Gear OD, 62mm L

Features:

- Accurate



4-925

(Ref# 54-8146)

Starter Drive

15-T, CW, 12-SPL

For: Hitachi OSGR Starters

Used On: John Deere

Unit Nos: Hitachi S13-41A

WAI Ref. Nos: 2-2016-HI

Dim: 14mm ID, 44mm Gear OD, 70mm L

Features:

- Accurate

21-T, CCW



54-8111

(Ref# 4-751)

Starter Drive

21-T, CCW, 10-SPL

For: Hitachi OSGR Starters

Used On: (1994-85) Infiniti, Nissan

Unit Nos: Hitachi S114-430A, B;

S114-439, A; S114-461, A, B; S114-484

(cont'd.)

(cont'd.)

Lester Nos: 16806, 16807, 17069, 17145

WAI Ref. Nos: 2-1101-HI, 2-1102-HI, 2-1116-HI, 2-1222-HI

Dim: 60mm Gear OD, 78mm L

Components:

4-751PS (54-81207) Pinion

4-1092 (54-81401) Clutch Assy.

79-81102 Stop Collar Kit

25-T, CCW



4-911

(Ref# 54-8139)

Starter Drive

25-T, CCW, 10-SPL

For: Hitachi OSGR Starters

Used On: (1988-85) Nissan

Unit Nos: Hitachi S114-441A, B

Lester Nos: 16814

WAI Ref. Nos: 2-1103-HI

Dim: 70.5mm Gear OD, 76mm L

Components:

4-911PS (54-81208) Pinion

4-1092 (54-81401) Clutch Assy.

79-81102 Stop Collar Kit

Features:

- Accurate

Clutch Assemblies



4-1047

(Ref# 54-81402)

Clutch Assembly

CCW, 5-SPL

For: Hitachi PMGR Starters

Used On: (1994-92) Mercury, Nissan

Unit Nos: Hitachi S114-755, S114-756, S114-757

Lester Nos: 17476, 17479

WAI Ref. Nos: 2-1441-HI

Dim: 85mm L

Features:

- Accurate

STARTER - STARTER DRIVES (4- ACCURATE, 54- WAI)

HITACHI

Clutch Assemblies (cont'd.)



4-1072 **54-81400-1**
Accurate Best Value
Clutch Assembly
CW, 10-SPL

For: Hitachi OSGR Starters
Used On: (1989-78) Chevrolet, Isuzu, Nissan, Pontiac, Volvo (Diesel); Massey Ferguson, Thermo King, Yanmar
Replaces: Isuzu 8-94115-569-0; Nissan 23354-10G00, -11M00, -M4901; Volvo 1367094-8, Yanmar 171008-77720
Unit Nos: Hitachi S13-62, -62A, -62B, -62C, -65, -69, -71, -75, -82, -82A, -82B, -84, -89A, -89B, -91, -92A, -94, -94A, -102, -104, -289, -289A; S114-252, -252A, -252C, -252E, -252F, -253, -253A, -253B, -254, -254A, -254C, -254D, -255, -255A, -257, -257A, -257G, -257H, -258, -258A, -258C, -264, -264A, -268A, -296, -296A, -322, -322A, -344, -357A, -357B, -367, -374B, -393, -393A, -395A, -403B, -429, -429A, -446, -453, -454, -457, -458
Lester Nos: 16540, 584, 611, 694, 733, 740, 772, 803, 809, 811, 813, 982, 986, 997; 17018, 079, 088, 104, 138; 18050, 051, 061, 067, 205, 292, 293
WAI Ref. Nos: 2-1080-HI, 2-1082-HI, 2-1084-HI, 2-1090-HI, 2-1091-HI, 2-1095-HI, 2-1099-HI, 2-1100-HI, 2-1105-HI, 2-1109-HI, 2-1110-HI, 2-1191-HI, 2-1193-HI, 2-1289-HI, 2-1734-HI, 2-1776-HI, 2-1777-HI, 2-1916-HI, 2-2014-HI, 2-2311-HI
Dim: 50mm L
Note: Used in 4-678 (54-8104), 4-798C (54-8141), 4-896 (54-8132), 4-899 (54-8133), 4-905 (54-8125) starter drives. Used w/ 6-104-4, 6-904-4 ball bearings (not included).
Components:
 54-81501 Roller
 54-81600 Spring



4-1092
(Ref# 54-81401)
Clutch Assembly
CCW, 10-SPL

For: Hitachi OSGR Starters
Used On: (1992-85) Infiniti, Nissan
Unit Nos: Hitachi S114-430A, B; S114-439, A; S114-440; S114-441A, B; S114-461, S114-475A, S114-484, S114-486
Lester Nos: 16806, 16807, 16814, 16816, 17069, 17145, 17178
WAI Ref. Nos: 2-1101-HI, 2-1102-HI, 2-1103-HI, 2-1104-HI, 2-1116-HI, 2-1119-HI, 2-1222-HI
Dim: 50mm L
Note: Without bearings. Used In 4-751 (54-8111), 4-910 (54-8138), 4-911 (54-8139) starter drives.
Components:
 54-81501 Roller
 54-81600 Spring
Features:
 • Accurate



4-738 **54-81200-5**
Accurate Best Value
Pinion Gear
9-T, CW, 10-SPL

For: Hitachi OSGR Starters
Used On: (1989-78) Chevrolet, Isuzu, Nissan, Pontiac (Diesel); Massey Ferguson, Toyosha
Replaces: Isuzu 8-94233-583-0; Nissan 23357-N5900, 23359-N5900
Unit Nos: Hitachi S13-62, -62A, -62B, -62C; S114-253A, -253B, -254B, -254C, -254D, -255A, -258A, -258C, -264A, -268A, -296, -296A, -304, -344, -374B, -403B, -429, -429A, -457, -458
Lester Nos: 16584, 16611, 16740, 16811, 16813, 16986, 16997, 17104
WAI Ref. Nos: 2-1082-HI, 2-1084-HI, 2-1090-HI, 2-1100-HI, 2-1109-HI, 2-1191-HI, 2-2311-HI
Dim: 29mm Gear OD, 87mm L
Note: Used w/ 4-1072 (54-81400) clutch assy. in 4-678 (54-8104) starter drive

Pinion Gears



4-727
(Ref# 54-81205)
Pinion Gear
8-T, CW, 10-SPL

For: Hitachi OSGR Starters
Used On: (1989-79) Nissan
Replaces: Hitachi 2114-65008, Nissan 23357-M4901
Unit Nos: Hitachi S114-252C, S114-252E, S114-252F, S114-322, S114-322A, S114-393
Lester Nos: 16694, 16803, 16982
WAI Ref. Nos: 2-1080-HI, 2-1095-HI, 2-1105-HI
Dim: 28mm Gear OD, 87mm L
Note: Used w/ 4-1072 clutch assy. in 4-896 starter drive
Features:
 • Accurate



4-798 **54-81201-5**
Accurate Best Value
Pinion Gear
9-T, CW, 10-SPL

For: Hitachi OSGR Starters
Used On: (1986-85) Volvo; Race Car Applications w/ 2-Piece D.E. Housing
Unit Nos: Hitachi S13-91; Volvo 1328391, 1328391-6
Lester Nos: 17018, 17138
WAI Ref. Nos: 2-1289-HI
Dim: 25mm Gear OD, 87mm L
Note: Used w/ 4-1072 (54-81400) clutch assy. in 4-798C or 54-8141-5 starter drives.

STARTER - STARTER DRIVES (4- ACCURATE, 54- WAI)



4-899PS
(Ref# 54-81206)
Pinion Gear
9-T, CW, 10-SPL

For: Hitachi OSGR Starters
Used On: (1985-81) Nissan (Diesel); Ishikawajima, Nissan Lift Trucks
Unit Nos: Hitachi S13-47, A; S13-50, A; S13-56, A; S13-65, S13-69, S13-92A, S13-102, S13-104; S114-357A, B; S114-367, S114-395A, S114-482
Lester Nos: 16733, 16772, 16809
WAI Ref. Nos: 2-1091-HI, 2-1099-HI, 2-1777-HI, 2-2012-HI, 2-2014-HI
Dim: 35.5mm Gear OD, 87mm L
Note: Used w/ 4-1072 (54-81400) clutch assy. in 4-899 (54-8133) starter drive
Features:
• Accurate



4-905PS **54-81204-1**
Accurate Best Value
Pinion Gear
9-T, CW, 10-SPL

For: Hitachi OSGR Starters
Used On: Isuzu, Thermo King
Unit Nos: Hitachi S13-71, S13-75, S13-82A, S13-84; S13-89A, B; S13-289, A
Lester Nos: 17088
WAI Ref. Nos: 2-1734-HI, 2-1776-HI
Dim: 32.5mm Gear OD, 87mm L
Note: Used in 4-905 (54-8125) starter drive



4-910PS
(Ref# 54-81209)
Pinion Gear
8-T, CCW, 10-SPL

For: Hitachi OSGR Starters
Used On: (1992-85) Nissan
Unit Nos: Hitachi S114-440, S114-475A, S114-486
Lester Nos: 16816, 17178
WAI Ref. Nos: 2-1104-HI, 2-1119-HI
Dim: 28mm Gear OD, 94mm L
Note: Used w/ 4-1092 (54-81401) clutch assy. in 4-910 (54-8138) starter drive
Features:
• Accurate



54-81207
(Ref# 4-751PS)
Pinion Gear
21-T, CCW, 10-SPL

For: Hitachi OSGR Starters
Used On: (1994-85) Infiniti, Nissan
Unit Nos: Hitachi S114-430A, B; S114-439, A; S114-461, A, B; S114-484
Lester Nos: 16806, 16807, 17069, 17145
WAI Ref. Nos: 2-1101-HI, 2-1102-HI, 2-1116-HI, 2-1222-HI
Dim: 60mm Gear OD, 78mm L
Note: Used w/ 54-81401 clutch assy. in 54-8111 starter drive



54-81208
(Ref# 4-911PS)
Pinion Gear
25-T, CCW, 10-SPL

For: Hitachi OSGR Starters
Used On: (1988-85) Nissan
Replaces: Nissan 23357-37A00, 23357-37A01
Unit Nos: Hitachi S114-441A, B
Lester Nos: 16814
WAI Ref. Nos: 2-1103-HI
Dim: 70.5mm Gear OD, 76mm L
Note: Used w/ 54-81401 clutch assy. in 54-8139 starter drive



54-81211
(Ref# 4-1055)
Pinion Gear
13-T, CCW, 6-SPL

For: Hitachi PMGR Starters
Used On: (1994-92) Mercury, Nissan
Unit Nos: Hitachi S114-755, S114-756, S114-757
Lester Nos: 17476, 17479
WAI Ref. Nos: 2-1441-HI
Dim: 40mm Gear OD, 22mm L
Note: Used w/ 54-81402 clutch assy.

STARTER - STARTER DRIVES (4- ACCURATE, 54- WAI)

LEECE-NEVILLE



4-325
(Ref# 54-501)
Starter Drive
10-T, CW, 6-SPL

For: Leece-Neville DD Starters
Used On: Cummins
Replaces: Leece-Neville 18-56
Unit Nos: Leece-Neville 4502ME, 4503ME, M0014502ME, M0014503ME
Dim: 14.3mm ID, 32mm Gear OD, 106mm L
Features:
• Accurate



4-465
(Ref# 54-130)
Starter Drive
13-T, CW, 19-SPL
Positive Engagement

For: Delco 40MT Series; Leece-Neville; Prestolite DD Starters
Replaces: Delco 1932603, 1985131; Leece-Neville 13539, M029013539; Prestolite 59-225, PD-13A
Unit Nos: Delco 1113350, 1113369, 1113374, 1113801, 1113804, 1113811, 1113817; Leece-Neville 7282M, 7408MA, 8282M; Prestolite MES-6403JUT
Dim: 19mm ID, 49.5mm Gear OD, 118mm L
Features:
• Accurate
• AccuSure Positive Engagement



4-472 **54-118-2**
Accurate Best Value
Starter Drive
12-T, CW, 19-SPL
Positive Engagement

For: Bosch 420 Series; Delco 40MT Series; Leece-Neville; Prestolite MES, MFJ, MFY Series DD Starters
Replaces: Bosch 2-006-202-000; Delco 1918866, 1921998, 1932605; Leece-Neville 75249; Prestolite PD-7A
Unit Nos: Bosch 0-001-420-001, -003, -004, -005, -009, -012, -013, -014, -015; 0-001-421-003, -004; Delco 1108987; 1109158, 169, 170, 172, 178, 184, 229, 230, 233, 235, 236, 249, 801; 1113311, 313, 327, 337, 359, 602, 603, 605, 607, 617, 620, 621, 774, 775; 1114024, 036, 043, 044, 045; Prestolite MFY-6201K, MFY-6401A, MFY-6401K
Dim: 19mm ID, 46.5mm Gear OD, 120mm L



4-488-118
(Ref# 54-172)
Starter Drive
11-T, CW, 19-SPL

Used On: Leece-Neville, Prestolite Starters
Replaces: Leece-Neville 71157, 73493, 74977, 97222; Prestolite 59-203, 59-205, PD-8A, PD-9A
Unit Nos: Leece-Neville 7268M, 7276M, MC; 7400M, MC; Prestolite 46-2278, MMO-6401
Lester Nos: 6209, 6212
Dim: 19mm ID, 56.5mm Gear OD, 118mm L
Note: Similar to 4-488 used on Bosch except 4-488 is 120mm L.
Features:
• Accurate



4-1088
(Ref# 54-607)
Starter Drive
16-T, CW, 19-SPL

For: Leece-Neville Starters
Replaces: Leece-Neville 95036, M029095036
Dim: 12mm ID, 21.5mm Gear OD, 118mm L
Features:
• Accurate

LUCAS

9-T, CCW



4-632
(Ref# 54-9209)
Starter Drive
9-T, CCW, 4-SPL

For: Lucas DD Starters
Used On: (1980-67) MG, Triumph
Replaces: Lucas 54252212, TLB112
Unit Nos: Lucas 25079, 25083, 25088, 25105, 25149, 25150
Lester Nos: 16121
WAI Ref. Nos: 2-1328-LU
Dim: 16mm ID, 29mm Gear OD, 57mm L
Features:
• Accurate

STARTER - STARTER DRIVES (4- ACCURATE, 54- WAI)

10-T, CW



4-641

(Ref# 54-9201)

Starter Drive

10-T, CW, 3-SPL

For: Lucas M50 Series DD Starters

Used On: Ford

Replaces: Lucas 60600210, TMB101

Unit Nos: Lucas 26211, 26291, 26312

Lester Nos: 16606

Dim: 17mm ID, 40mm Gear OD, 70mm L

Note: With 17° helix angle on armature splines.

Similar to 4-683 (54-9205) except 4-683 has 32° helix angle.

Features:

- Accurate



4-642

Accurate

54-9202-2

Best Value

Starter Drive

10-T, CW, 12-SPL

For: Lucas M50 Series DD Starters

Used On: Ford Tractor

Replaces: Ford D0NN-11350-A, D1NN-11350-A, D2NN-11350-A; Lucas 54243783, 54246738, 54246896, 54247187, TMB115

Unit Nos: Ford 693F-11000-AA, 703F-11000-AA; Lucas 26211, 26227, 26265, 26291, 26312, 26316, 26338, 26339, 26341, 26352, 26379, 26395, 26431

Lester Nos: 16608, 17646, 17647

Dim: 17mm ID, 40mm Gear OD, 70mm L

Note: With 17° helix angle on armature splines.

For 32° helix angle use 4-768 or

54-9213-5.



4-670

Accurate

54-9200-1

Best Value

Starter Drive

10-T, CW, 12-SPL

For: Lucas 2M113, M45G, M127 Series DD Starters

Used On: Allis-Chalmers, Ford, IHC, JCB, Massey Ferguson, Perkins

Replaces: Lucas TMB105, TMB120, TNB165

Unit Nos: Lucas 26236, 26264, 26271, 26279, 26283, 26288, 26310, 26364, 26375, 26412, 26413, 26422, 27409, 27411, 27417, 27420, 27426, 27432, 27433, 27515, 27518, 27519, 27536, 27539, 27540, 27541, 27565, 27568, 27572

Lester Nos: 16660; 17072, 644, 649, 652

WAI Ref. Nos: 2-2038-LU

Dim: 17mm ID, 40mm Gear OD, 73mm L
Note: With 32° helix angle on armature splines.

Similar to 4-807 (54-9203) except 4-807 has 17° helix angle.



4-683

(Ref# 54-9205)

Starter Drive

10-T, CW, 3-SPL

For: Lucas M45G, M50 Series Starters

Used On: Ford

Replaces: Lucas 54246989, 54259800, TMB104

Unit Nos: Lucas 26211

Dim: 17mm ID, 40mm Gear OD, 70mm L

Note: With 32° helix angle on armature splines.

Similar to 4-641 (54-9201) except 4-641 has 17° helix angle.

Features:

- Accurate



4-766

Starter Drive

10-T, CW, 3-SPL

For: Lucas M50 Series Starters

Used On: Allis Chalmers, Chrysler, Dodge, IHC Leyland, Lincoln, Massey

Ferguson, Yale Forklift

Replaces: Lucas 54240593, 54245900, 54246733, 60600211, TMB111

Unit Nos: Lucas, 26246, 26274, 26294, 26295, 26304

Lester Nos: 17071, 17072, 17649, 17650

Dim: 17mm ID, 40mm Gear OD, 73mm L

Note: For 12-spline version use 4-807 (54-9203)

Features:

- Accurate



4-768

Accurate

54-9213-5

Best Value

Starter Drive

10-T, CW, 12-SPL

For: Lucas M127 Series DD Starters

Used On: Ford Tractor

Replaces: Lucas 54268139, TMB148, TMB170

Unit Nos: Lucas 27500, 27516, 27528, 27553, 27554, 27569

Lester Nos: 16608, 17647, 18264

Dim: 17mm ID, 40mm Gear OD, 70mm L

Note: With 32° helix angle on armature splines.

For 17° helix angle used 4-642 or

54-9202-2.

STARTER - STARTER DRIVES (4- ACCURATE, 54- WAI)

LUCAS

10-T, CW (cont'd.)



4-807
(Ref# 54-9203)
Starter Drive

10-T, CW, 12-SPL

For: Lucas M50 Series DD Starters
Used On: Massey Ferguson
Replaces: Lucas 54244938, TMB100
Unit Nos: Lucas 26246, 26274, 26294, 26295, 26304, 26323, 26343, 26345, 26351, 26357, 26358, 26366, 26369, 26376, 26404, 26410, 26414
Lester Nos: 16670, 17071, 17072, 17649, 17650, 17651, 17652
Dim: 17mm ID, 40mm Gear OD, 73mm L
Note: With 17° helix angle on armature splines.
 Similar to 4-670 (54-9200) except 4-670 has 32° helix angle.
Features:
 • Accurate



4-810 **54-9204-5**
Accurate Best Value
Starter Drive

10-T, CW, 12-SPL

For: Lucas M50 Series DD Starters
Used On: Allis-Chalmers, IHC, Massey Ferguson
Replaces: Lucas 54243781, 54246662, 60600050, TMB102
Unit Nos: Lucas 26336, 26349, 26363, 26384, 26398, 26416, 26428, 26429, 26433, 26435
Lester Nos: 16669, 16984, 17644, 17648, 18262
Dim: 17mm ID, 40mm Gear OD, 100mm L
Note: With 17° helix angle on armature splines.
 Similar to 4-931 (54-9214) except 4-931 has 32° helix angle.



4-931
(Ref# 54-9214)
Starter Drive

10-T, CW, 12-SPL

For: Lucas M127 Series DD Starters
Used On: Allis-Chalmers
Replaces: Lucas TNB169
Unit Nos: Lucas 27508, 27533, 27543, 27556, 27558, 27575
Dim: 17mm ID, 40mm Gear OD, 100mm L
Note: With 32° helix angle on armature splines.
 Similar to 4-810 (54-9204) except 4-810 has 17° helix angle.
Features:
 • Accurate

11-T, CW



4-808
(Ref# 54-9216)
Starter Drive

11-T, CW, 12-SPL

For: Lucas M45G Series DD Starters
Used On: Industrial Applications
Replaces: Lucas TMB124
Unit Nos: Lucas 26278, 26301, 27413, 27421
Dim: 17mm ID, 39mm Gear OD, 73mm L
Note: With 32° helix angle on armature splines
Features:
 • Accurate

13-T, CW



4-671
(Ref# 54-9218)
Starter Drive

13-T, CW, 12-SPL

For: Lucas M45G Series DD Starters
Used On: Massey Ferguson, Perkins
Replaces: Lucas TMB125
Unit Nos: Lucas 26275
Dim: 17mm ID, 45.5mm Gear OD, 73mm L
Note: With 32° helix angle on armature splines
Features:
 • Accurate

MANDO



4-627 **54-8306-1**
Accurate Best Value
Starter Drive

8-T, CW, 8-SPL

For: Mando DD; Mitsubishi DD, PMDD Starters
Used On: (2002-83) Chevrolet, Dodge, Eagle, Ford, Geo, Hyundai, Kia, Mazda, Mercury, Mitsubishi, Nissan, Plymouth, Suzuki; Nissan Lift Truck, Yale
Replaces: Ford E7GZ-11350-A, F4BZ-11350-A, SDE-332, SDE-349; Mitsubishi M191T22071, 22371, 22771, 22971, 23071, 23471
Unit Nos: Mitsubishi M2T30381, M2T30581, M2T32281, M2T40081, M2T44781, M2T49881, M3M10476, M3Q38882, M3T10476, M3T10476D, M3T21781D, M3T21882D; M3T24482A, H, J, K; M3T24483, M3T24486H, M3T29482D, M3T30581, M3T30881, M3T30981, M3T32589, M3T32591, M3T32592, M3T32593, M3T32782D, M3T33182, M3T33282, M3T33586D, M3T33781, M3T34782, M3T38481, M3T38482, M3T38581, M3T38682; M3T38881, A, B, C; M3T38882, A, B, C; M3T38883, M3T38884, M3T38885, M3T39385, M3T39981, M3T41081, M3T41083, M3T41181, M3T41282, (cont'd.)

STARTER - STARTER DRIVES (4- ACCURATE, 54- WAI)

(cont'd.)

M3T41285, M3T41781, M3T41881, M3T42781, M3T42881, M3T43381, M3T43581, M3T44081, M3T48181, M3T49381, M3T49581, M3T49585, M3T49781, M3T70381, M3V38881, M3V38882, M3Y24482

Lester Nos: 16514, 16711, 16729, 16793, 16794, 16795, 16798, 16858, 16922, 16924, 16938, 16940, 16966, 16971, 16992, 17181, 17212, 17270, 17288, 17662, 17684, 17704, 17732, 17733, 18060

WAI Ref. Nos: 2-1086-MI, 2-1113-MI, 2-1142-MI, 2-1144-MI, 2-1161-MI, 2-1166-MD, 2-1166-MI, 2-1173-MI, 2-1183-MD, 2-1183-MI, 2-1186-MI, 2-1247-MD, 2-1247-MI, 2-1548-MI, 2-1549-MI, 2-1727-MI, 2-1728-MI, 2-1740-MI, 2-1783-MI, 2-1851-MD, 2-1852-MI, 2-1860-MI, 2-1861-MI, 2-2088-MI

Dim: 12mm ID, 28mm Gear OD, 55mm L



4-756 **54-8313-1**
Accurate Best Value
Starter Drive
8-T, CW, 8-SPL

For: Mando, Mitsubishi PMGR Starters
Used On: (2005-86) Chevrolet, Dodge, Eagle, Geo, Hyundai, Mazda, Mitsubishi, Nissan, Plymouth, Suzuki

Replaces: Mitsubishi M191T12071
Unit Nos: Mando M52100, M53436, M53486, MG112022, MP112033, MP112040, MP112041, MP112042; Mitsubishi M0T70381, 70481, 80081, 80581, 80783, 81281, 81284, 82281, 85081; M1T70281, 70283, 70481, 70482, 70483, 70485, 71381, 71382, 71581, 71681, 71681A, 72085, 72483, 72581, 72583, 72583G, 73281, 73283, 73381, 73383, 73881, 74583, 74881, 74883, 75283, 75981, 78181, 78381, 78481, 78981, 79081, 84883, 85181

Lester Nos: 16874, 16939, 17131, 17142, 17146, 17167, 17185, 17194, 17206, 17214, 17217, 17221, 17266, 17448, 17450, 17451, 17478, 17505, 17507, 17557, 17566, 17592, 17689, 17708, 17709, 17734, 17740, 17766, 17768, 17772, 17773, 17795, 17796, 18096

WAI Ref. Nos: 2-1111-MI, 2-1117-MI, 2-1148-MI, 2-1174-MD, 2-1174-MI, 2-1176-MD, 2-1176-MI, 2-1178-MD, 2-1178-MI, 2-1182-MI, 2-1189-MI, 2-1239-MI, 2-1244-MI, 2-1611-MI, 2-1613-MI, 2-1769-MI, 2-1770-MI, 2-1818-MI, 2-1850-MI, 2-1857-MD, 2-1858-MD, 2-1862-MI, 2-1936-MI, (cont'd.)

(cont'd.)

2-1949-MI, 2-1952-MI, 2-1957-MI, 2-1992-MI, 2-2029-MI, 2-2033-MI, 2-2133-MI, 2-2329-MI
Dim: 12mm ID, 28mm Gear OD, 51mm L



4-778
(Ref# 54-8330)
Starter Drive
8-T, CCW, 4-SPL

For: Mando, Mitsubishi DD Starters
Used On: (1996-89) Ford
Replaces: Ford E8BZ-11350-A, F4BZ-11350-B, SDE-334, SDE-350; Mando MC108027, Mitsubishi 26771
Unit Nos: Mando MC108027; Mitsubishi M3T33081
Lester Nos: 17010
WAI Ref. Nos: 2-1246-MD, 2-1246-MI
Dim: 12mm ID, 28mm Gear OD, 56mm L
Features:
• Accurate



4-1122
(Ref# 54-9307)
Starter Drive
9-T, CW, 6-SPL

For: Marelli 12V / 2.5kW, 3.5kW; 24V / 4.0kW DD Starters
Used On: Fiatallis, Oliver, White
Unit Nos: Marelli 63216731, 63216741, 63216831, 63216896, 63217126
Dim: 14.3mm ID, 34.5mm Gear OD, 78mm L
Note: 22mm root dia.
Features:
• Accurate

MARELLI



4-626
(Ref# 54-9300-1)
Starter Drive
9-T, CW, 6-SPL

For: Marelli 12V / 2.5kW, 3.5kW; 24V / 4.0kW DD Starters
Used On: Fiatallis, Oliver, White
Unit Nos: Marelli 63216727, 63216740, 63216808, 63216825, 63216826, 63216827, 63216873, 63216898, 63217104, 63217118, 63217119, 63217120, 63217125, 63217147
Dim: 14.3mm ID, 34.5mm Gear OD, 77mm L
Note: 23.5mm root dia.
Features:
• Accurate

STARTER - STARTER DRIVES (4- ACCURATE, 54- WAI)

MITSUBA



4-769
(Ref# 54-8500)
Starter Drive
9-T, CW, 18-SPL

For: Mitsuba OSGR, PMOSGR Starters
Used On: (1995-84) Acura, Honda

Unit Nos: Mitsuba SM302-02, SM302-04, SM302-07, SM302-08, SM302-16, SM302-18, SM302-22, SM302-24, SM302-25, SM302-28, SM302-44, SM302-45, SM302-46, SM302-48, SM402-03, SM402-04, SM402-05, SM402-10N, SM402-11N, SM402-13N, SM402-15, SM402-16N
Lester Nos: 16845, 16901, 16902, 16914, 16960, 16975, 17052, 17156, 17160, 17201, 17205, 17474, 17491, 17527

WAI Ref. Nos: 2-1000-MT, 2-1011-MT, 2-1012-MT, 2-1014-MT, 2-1017-MT, 2-1018-MT, 2-1019-MT, 2-1020-MT, 2-1021-MT, 2-1022-MT, 2-1521-MT, 2-1523-MT, 2-1528-MT

Dim: 29mm Gear OD, 99mm L

Note: For rebuilding late style drive with pressed in retainer use 79-85100 retainer kit

Components:

- 4-1118 (54-85201) Pinion Repair Kit
- 6-104-4 Ball Bearing
- 6-904-2 Ball Bearing
- 54-81600 Spring, Clutch
- 62-85901 Bushing

Features:

- Accurate



4-769P
(Ref# 54-85200)
Pinion Gear
9-T, CW, 18-SPL

For: Mitsuba SM302 Series OSGR; SM402 Series PMOSGR Starters

Used On: (1995-84) Acura, Honda
Lester Nos: 16845, 16901, 16902, 16914, 16960, 16975, 17052, 17156, 17160, 17201, 17205, 17474, 17491, 17527

WAI Ref. Nos: 2-1000-MT, 2-1011-MT, 2-1012-MT, 2-1014-MT, 2-1017-MT, 2-1018-MT, 2-1019-MT, 2-1020-MT, 2-1021-MT, 2-1022-MT, 2-1521-MT, 2-1523-MT, 2-1528-MT

Dim: 29mm Gear OD, 41mm L

Note: Used in 4-769 (54-8500) starter drive. Included in 4-1118 (54-85201) pinion repair kit.

Features:

- Accurate



4-1118
(Ref# 54-85201)
Pinion Repair Kit
9-T, CW, 18-SPL

For: Mitsuba SM302 Series OSGR; SM402 Series PMOSGR Starters

Used On: (1995-84) Acura, Honda
Lester Nos: 16845, 16901, 16902, 16914, 16960, 16975, 17052, 17156, 17160, 17201, 17205, 17474, 17491, 17527

WAI Ref. Nos: 2-1000-MT, 2-1011-MT, 2-1012-MT, 2-1014-MT, 2-1017-MT, 2-1018-MT, 2-1019-MT, 2-1020-MT, 2-1021-MT, 2-1022-MT, 2-1521-MT, 2-1523-MT, 2-1528-MT

Dim: 29mm Gear OD, 41mm L

Components:

- 4-769P (54-85200) Pinion Gear
- 76-1841 Plug
- 76-85800 Retaining Ring
- 76-85801 Retainer

Features:

- Accurate

MITSUBISHI

8-T, CW



4-616 **54-8304-1**
Accurate Best Value
Starter Drive
8-T, CW, 8-SPL

For: Mitsubishi DD Starters
Used On: (1987-76) Dodge, Mazda, Mitsubishi, Nissan, Plymouth;

Mitsubishi Lift Truck, Nissan Lift Truck
Replaces: Mitsubishi M191T30974, M191T33371, M191T35171

Lester Nos: 16203, 16209, 16514, 16527, 16579, 16708, 16711, 16728, 16729, 16741, 16742, 16774, 16793, 16805, 16858, 16859, 16938

WAI Ref. Nos: 2-1076-MI, 2-1079-MI, 2-1081-MI, 2-1086-MI, 2-1094-MI, 2-1133-MI, 2-1134-MI, 2-1136-MI, 2-1139-MI, 2-1141-MI, 2-1142-MI, 2-1166-MI, 2-1168-MI, 2-1173-MI, 2-1727-MI, 2-1740-MI

Dim: 12.8mm ID, 28mm Gear OD, 61mm L

STARTER - STARTER DRIVES (4- ACCURATE, 54- WAI)



4-627 **54-8306-1**
Accurate Best Value
Starter Drive
8-T, CW, 8-SPL

For: Mando DD; Mitsubishi DD, PMDD Starters
Used On: (2002-83) Chevrolet, Dodge, Eagle, Ford, Geo, Hyundai, Kia, Mazda, Mercury, Mitsubishi, Nissan, Plymouth, Suzuki; Nissan Lift Truck, Yale
Replaces: Ford E7GZ-11350-A, F4BZ-11350-A, SDE-332, SDE-349; Mitsubishi M191T22071, 22371, 22771, 22971, 23071, 23471
Unit Nos: Mitsubishi M2T30381, M2T30581, M2T32281, M2T40081, M2T44781, M2T49881, M3M10476, M3Q38882, M3T10476, M3T10476D, M3T21781D, M3T21882D; M3T24482A, H, J, K; M3T24483, M3T24486H, M3T29482D, M3T30581, M3T30881, M3T30981, M3T32589, M3T32591, M3T32592, M3T32593, M3T32782D, M3T33182, M3T33282, M3T33586D, M3T33781, M3T34782, M3T38481, M3T38482, M3T38581, M3T38682; M3T38881, A, B, C; M3T38882, A, B, C; M3T38883, M3T38884, M3T38885, M3T39385, M3T39981, M3T41081, M3T41083, M3T41181, M3T41282, M3T41285, M3T41781, M3T41881, M3T42781, M3T42881, M3T43381, M3T43581, M3T44081, M3T48181, M3T49381, M3T49581, M3T49585, M3T49781, M3T70381, M3V38881, M3V38882, M3Y24482
Lester Nos: 16514, 16711, 16729, 16793, 16794, 16795, 16798, 16858, 16922, 16924, 16938, 16940, 16966, 16971, 16992, 17181, 17212, 17270, 17288, 17662, 17684, 17704, 17732, 17733, 18060
WAI Ref. Nos: 2-1086-MI, 2-1113-MI, 2-1142-MI, 2-1144-MI, 2-1161-MI, 2-1166-MD, 2-1166-MI, 2-1173-MI, 2-1183-MD, 2-1183-MI, 2-1186-MI, 2-1247-MD, 2-1247-MI, 2-1548-MI, 2-1549-MI, 2-1727-MI, 2-1728-MI, 2-1740-MI, 2-1783-MI, 2-1851-MD, 2-1852-MI, 2-1860-MI, 2-1861-MI, 2-2088-MI
Dim: 12mm ID, 28mm Gear OD, 55mm L



4-756 **54-8313-1**
Accurate Best Value
Starter Drive
8-T, CW, 8-SPL

For: Mando, Mitsubishi PMGR Starters
Used On: (2005-86) Chevrolet, Dodge, Eagle, Geo, Hyundai, Mazda, Mitsubishi, Nissan, Plymouth, Suzuki
Replaces: Mitsubishi M191T12071
Unit Nos: Mando M52100, M53436, M53486, MG112022, MP112033, MP112040, MP112041, MP112042; Mitsubishi MOT70381, 70481, 80081, 80581, 80783, 81281, 81284, 82281, 85081; M1T70281, 70283, 70481, 70482, 70483, 70485, 71381, 71382, 71581, 71681, 71681A, 72085, 72483, 72581, 72583, 72583G, 73281, 73283, 73381, 73383, 73881, 74583, 74881, 74883, 75283, 75981, 78181, 78381, 78481, 78981, 79081, 84883, 85181
Lester Nos: 16874, 16939, 17131, 17142, 17146, 17167, 17185, 17194, 17206, 17214, 17217, 17221, 17266, 17448, 17450, 17451, 17478, 17505, 17507, 17557, 17566, 17592, 17689, 17708, 17709, 17734, 17740, 17766, 17768, 17772, 17773, 17795, 17796, 18096
WAI Ref. Nos: 2-1111-MI, 2-1117-MI, 2-1148-MI, 2-1174-MD, 2-1174-MI, 2-1176-MD, 2-1176-MI, 2-1178-MD, 2-1178-MI, 2-1182-MI, 2-1189-MI, 2-1239-MI, 2-1244-MI, 2-1611-MI, 2-1613-MI, 2-1769-MI, 2-1770-MI, 2-1818-MI, 2-1850-MI, 2-1857-MD, 2-1858-MD, 2-1862-MI, 2-1936-MI, 2-1949-MI, 2-1952-MI, 2-1957-MI, 2-1992-MI, 2-2029-MI, 2-2033-MI, 2-2133-MI, 2-2329-MI
Dim: 12mm ID, 28mm Gear OD, 51mm L



4-881
(Ref# 54-8324)
Starter Drive
8-T, CW, 8-SPL

For: Mitsubishi PMGR Starters
Used On: (1996-89) Nissan
Replaces: (stamped 12671)
Unit Nos: Mitsubishi M1T72281, M1T72281A, M1T72781, M1T72781A
Lester Nos: 17161
WAI Ref. Nos: 2-1115-MI
Dim: 12mm ID, 28.5mm Gear OD, 64mm L
Features:
• Accurate



4-949
(Ref# 54-8323)
Starter Drive
8-T, CW, 8-SPL

For: Mitsubishi PMGR Starters
Used On: (1999-90) Infiniti, Nissan
Replaces: (stamped 12571)
Unit Nos: Mitsubishi M1T72981A, M1T72985, M1T74781, M1T74781A, M1T74785
Lester Nos: 17180, 17246
WAI Ref. Nos: 2-1128-MI, 2-1223-MI
Dim: 12mm ID, 28mm Gear OD, 76mm L
Note: Similar to 4-1017 (54-8338) except 4-1017 is CW.
Features:
• Accurate

STARTER - STARTER DRIVES (4- ACCURATE, 54- WAI)

MITSUBISHI

8-T, CW (cont'd.)



4-1065

(Ref# 54-8329)

Starter Drive

8-T, CW, 4-SPL

For: Mitsubishi DD Starters
Used On: Nissan Lift Truck
Replaces: (stamped 22571)
Unit Nos: Mitsubishi M2T20181D, M2T31081, M2T42985
Lester Nos: 16579
WAI Ref. Nos: 2-1081-MI
Dim: 12mm ID, 28mm Gear OD, 71mm L
Features:
 • Accurate



4-1017

Accurate

54-8338-1

Best Value

Starter Drive

8-T, CCW, 8-SPL

For: Mitsubishi PMGR Starters
Used On: (2003-93) Nissan, Subaru
Replaces: Subaru 23312-AA050
Unit Nos: Mitsubishi M0T80281, M0T81381, M0T81681, M0T83981, M1T77181; Nissan 23300-0M210, -0M211; Subaru 23300-AA280, -AA351, -AA380, -AA381
Lester Nos: 17480, 688, 717, 718
WAI Ref. Nos: 2-1774-MI, 2-1854-MI, 2-1864-MI, 2-1866-MI
Dim: 12mm ID, 28mm Gear OD, 77mm L
Note: Similar to 4-949 (54-8323) except 4-949 is CCW.



4-876

Accurate

54-8319-1

Best Value

Starter Drive

9-T, CW, 8-SPL

For: Mitsubishi 0.7kW DD Starters
Used On: Kubota Excavator, Tractor
Replaces: Mitsubishi M191T22271, M191T23171
Unit Nos: Mitsubishi M2T30481, M2T42381, M3T33481, M3T42381, M3T49981
Lester Nos: 16791, 18162
WAI Ref. Nos: 2-1445-MI, 2-2090-MI
Dim: 12mm ID, 29.5mm Gear OD, 56mm L

8-T, CCW



4-778

(Ref# 54-8330)

Starter Drive

8-T, CCW, 4-SPL

For: Mando, Mitsubishi DD Starters
Used On: (1996-89) Ford
Replaces: Ford E8BZ-11350-A, F4BZ-11350-B, SDE-334, SDE-350; Mando MC108027, Mitsubishi 26771
Unit Nos: Mando MC108027; Mitsubishi M3T33081
Lester Nos: 17010
WAI Ref. Nos: 2-1246-MD, 2-1246-MI
Dim: 12mm ID, 28mm Gear OD, 56mm L
Features:
 • Accurate

9-T, CW



4-615

Accurate

54-8305-1

Best Value

Starter Drive

9-T, CW, 4-SPL

For: Mitsubishi DD Starters
Used On: (1982-71) Dodge, Mazda, Nissan, Plymouth; Yale
Replaces: Mitsubishi M191T30171, M191T30971, M191T30972, M191T33071
Lester Nos: 16203, 16209, 16210, 16211, 16500, 16513, 16519, 16520, 16522, 16524, 16588, 16796, 18097
WAI Ref. Nos: 2-1076-MI, 2-1079-MI, 2-1083-MI, 2-1129-MI, 2-1130-MI, 2-1224-MI, 2-1225-MI, 2-1226-MI, 2-1227-MI, 2-1228-MI, 2-1729-MI, 2-1741-MI, 2-2089-MI
Dim: 12.8mm ID, 29.5mm Gear OD, 61mm L



4-877

(Ref# 54-8321)

Starter Drive

9-T, CW, 8-SPL

For: Mitsubishi PMGR Starters
Used On: (1991-89) Geo, Suzuki
Replaces: (stamped 12871)
Unit Nos: Mitsubishi M1T72481, M1T74581
Lester Nos: 17166, 17194, 17206
WAI Ref. Nos: 2-1239-MI, 2-1244-MI
Dim: 12mm ID, 29.5mm Gear OD, 51mm L
Features:
 • Accurate

STARTER - STARTER DRIVES (4- ACCURATE, 54- WAI)



4-882 **54-8325-1**
Accurate Best Value
Starter Drive
9-T, CW, 8-SPL

For: Mitsubishi PMGR Starters
Used On: (2000-90) Infiniti, Nissan
Replaces: Nissan 23312-0W010, 23312-86G11 (stamped 13471)
Unit Nos: Mitsubishi M0T60081, M0T60181, M1T60281, M1T60285
Lester Nos: 17425, 17683, 17685
WAI Ref. Nos: 2-1121-MI, 2-1847-MI, 2-1848-MI
Dim: 10.7mm ID, 29.5mm Gear OD, 77mm L
Note: Without spring washer cushion. Uses 76-83812 cap. Similar to 4-1015 (54-8327) except 4-1015 w/ spring washer cushion.



4-1015 **54-8327-1**
Accurate Best Value
Starter Drive
9-T, CW, 8-SPL

For: Mitsubishi PMGR Starters
Used On: Nissan Lift Truck, TCM Lift Trucks
Replaces: Nissan 23354-K9160 (stamped 13571)
Unit Nos: Mitsubishi M1T60381, Nissan 23300-K9160
Lester Nos: 17437
WAI Ref. Nos: 2-1444-MI
Dim: 10.7mm ID, 29.5mm Gear OD, 78mm L
Note: With spring washer cushion. Uses 76-83812 cap. Similar to 4-882 (54-8325) except 4-882 wo/ spring washer cushion.

9-T, CCW



4-1066 **54-8337-1**
Accurate Best Value
Starter Drive
9-T, CCW, 8-SPL

For: Mitsubishi DD Starters
Used On: Lincoln Electric, Onan
Replaces: Onan 191-1953
Unit Nos: Mitsubishi M2T32581, M2T43681; Onan 191-1949-04, 191-1949-06, 191-1808-06
WAI Ref. Nos: 2-1552-MI, 2-1553-MI, 2-1554-MI
Dim: 12mm ID, 38mm Gear OD, 71mm L

10-T, CW



4-757 **54-8314-1**
Accurate Best Value
Starter Drive
10-T, CW, 8-SPL

For: Mitsubishi PMGR Starters
Used On: (2002-85) Ford, Mazda, Nissan; Caterpillar, Clark
Replaces: Ford E92Z-11350-B, SDE-336; Mitsubishi M191T12171, M191X13271
Unit Nos: Mitsubishi M0T80381, M1Q71281, M1T70981, M1T70985, M1T71081, M1T71281, M1T71281A, M1T71281B, M1T71881, M1T71881A, M1T77381, M1T79681, M1T79781
Lester Nos: 16900, 16933, 16998, 17132, 17176, 17192, 17469, 17539, 17765
WAI Ref. Nos: 2-1106-MI, 2-1114-MI, 2-1149-MI, 2-1152-MI, 2-1545-MI, 2-1968-MI, 2-1996-MI
Dim: 12mm ID, 31.5mm Gear OD, 51mm L



4-758 **54-8315-1**
Accurate Best Value
Starter Drive
10-T, CW, 8-SPL

For: Mitsubishi PMGR Starters
Used On: (2002-87) AMC, Dodge, Eagle, Jeep
Replaces: Chrysler 5234497; Jeep-Eagle 83503662, 8982503662; Mitsubishi M191T12271, M191T12272
Unit Nos: Mitsubishi M1T73581, M1T74281, M1T74283, M1T74287, M1T74481, M1T74482, M1T79481, M1T79482, M1T84381
Lester Nos: 17006, 17046, 17564, 17749
WAI Ref. Nos: 2-1232-MI, 2-1234-MI, 2-1236-MI, 2-1782-MI, 2-1966-MI
Dim: 12mm ID, 28mm Gear OD, 51mm L
Note: 19.5mm root dia. Similar to 4-1058 (54-8335) except 4-1058 has 19mm root dia.



4-1016 **54-8336-1**
Accurate Best Value
Starter Drive
10-T, CW, 8-SPL

For: Mitsubishi PMGR Starters
Used On: (1998-93) Jeep
Unit Nos: Mitsubishi M0T91181ZC, M1T76081, M1T84981
Lester Nos: 17467, 17754
WAI Ref. Nos: 2-1547-MI, 2-2003-MI,
Dim: 11.8mm ID, 33mm Gear OD, 51mm L

STARTER - STARTER DRIVES (4- ACCURATE, 54- WAI)

MITSUBISHI

10-T, CW (cont'd.)



4-1058 **54-8335-5**
Accurate Best Value
Starter Drive
10-T, CW, 8-SPL

For: Mitsubishi PMGR Starters
Used On: (2001-93) Chrysler, Dodge, Eagle, Plymouth
Replaces: (stamped 14371)
Unit Nos: Mitsubishi M1T77777, M1T77781, M1T78581, M1T78681, M1T84181, M1T86281
Lester Nos: 17461, 17559, 17561, 17726
WAI Ref. Nos: 2-1443-MI, 2-1771-MI, 2-1820-MI, 2-1950-MI, 2-2328-MI,
Dim: 12mm ID, 28mm Gear OD, 51mm L
Note: 19mm root dia.
Similar to 4-758 (54-8315) except 4-758 has 19.5mm root dia.



54-8341
Starter Drive
10-T, CW, 8-SPL

For: Mitsubishi PMGR Starters
Used On: (2002) Jeep
Replaces: (stamped 19071)
Unit Nos: Chrysler 56041641AC, Mitsubishi M1T86883
Lester Nos: 17877
WAI Ref. Nos: 2-2342-MI
Dim: 12mm ID, 33mm Gear OD, 64mm L
Features:
• Best Value
• 100% New at rebuilt prices

10-T, CCW



4-700
(Ref# 54-8301)
Starter Drive
10-T, CCW, 4-SPL

For: Mitsubishi DD Starters
Used On: Onan
Replaces: Onan 191-1087
Unit Nos: Mitsubishi MEA10-7
Lester Nos: 17332
WAI Ref. Nos: 2-1738-MI
Dim: 12.8mm ID, 40mm Gear OD, 61mm L
Features:
• Accurate

11-T, CCW



4-699
(Ref# 54-8309)
Starter Drive
11-T, CCW, 8-SPL

For: Mitsubishi DD Starters
Used On: (1985-82) Mazda
Replaces: (stamped 36371)
Unit Nos: Mitsubishi M3T36081
Lester Nos: 16856
WAI Ref. Nos: 2-1140-MI
Dim: 12.8mm ID, 34mm Gear OD, 73mm L
Features:
• Accurate

11-T, CW



4-745 **54-8300-5**
Accurate Best Value
Starter Drive
11-T, CW, 8-SPL

For: Mitsubishi DD Starters
Used On: Hyster, TCM, Yale Lift Trucks w/ Mazda Engine
Replaces: Mazda 4893-24-722, Mitsubishi Motors MM502316 (stamped 31071)
Unit Nos: Mitsubishi M3T10473, M3T10475
Lester Nos: 16795
WAI Ref. Nos: 2-1728-MI
Dim: 12.8mm ID, 34.5mm Gear OD, 61mm L

12-T, CCW



4-760
(Ref# 54-8317)
Starter Drive
12-T, CCW, 8-SPL

For: Mitsubishi PMGR Starters
Used On: (2002-86) Ford, Mazda
Replaces: Ford F32Z-11350-D, SDE-345 (stamped 16271)
Unit Nos: Mitsubishi M1T70781, M1T75581, M1T77081
Lester Nos: 16931, 17470, 17541
WAI Ref. Nos: 2-1146-MI, 2-1546-MI, 2-1773-MI
Dim: 12mm ID, 36.5mm Gear OD, 76mm L
Features:
• Accurate

STARTER - STARTER DRIVES (4- ACCURATE, 54- WAI)

13-T, CW



4-701 **54-8303-5**
 Accurate Best Value
Starter Drive
13-T, CW, 10-SPL

For: Mitsubishi OSGR Starters
Used On: (1987-85) Ford 6.9L (Diesel)
Replaces: Ford E5PZ-11350-A, SDE-330; Mitsubishi M191T65571 (stamped 65571)
Unit Nos: Ford E5TF-11000-AA, E5TZ-11002-B, SAE-739-A; Mitsubishi M3T90071
Lester Nos: 17037
WAI Ref. Nos: 2-1254-MI
Dim: 17mm ID, 40mm Gear OD, 100mm L
Note: 100mm length.
 For 109mm L drive, use 4-777 (54-8320) or 54-8320-5.



4-777 **54-8320-5**
 Accurate Best Value
Starter Drive
13-T, CW, 10-SPL

For: Mitsubishi OSGR Starters
Used On: (1994-88) Ford 7.3L (Diesel)
Replaces: Ford E8PZ-11350-A, SDE-339; Mitsubishi M191T66271 (stamped 66271)
Unit Nos: Ford F3TU-11000-AA, E8TF-11000-AA, E8TZ-11002-A, SAE-739-B; Mitsubishi M3T90072
Lester Nos: 17037
WAI Ref. Nos: 2-1254-MI
Dim: 17mm ID, 40mm Gear OD, 109mm L
Note: 109mm length.
 For 100mm L drive, use 4-701 (54-8303) or 54-8303-5.



4-1111
 (Ref# 54-8333)
Starter Drive
13-T, CW, 10-SPL

For: Mitsubishi 5.5kW, 6.0kW OSGR Starters
Used On: Mitsubishi-Fuso Truck & other industrial applications
Unit Nos: Mitsubishi M5T50177, M5T65071
Lester Nos: 17438, 18165
Dim: 17mm ID, 48mm Gear OD, 118mm L
Features:
 • Accurate



4-1112
 (Ref# 54-8334)
Starter Drive
13-T, CW, 10-SPL

For: Mitsubishi 6.0kW OSGR Starters
Used On: Kobelco
Replaces: Mitsubishi M191T72672, ME701209
Unit Nos: Mitsubishi M5T50275, M5T50276
WAI Ref. Nos: 2-2091-MI
Dim: 17mm ID, 56mm Gear OD, 110mm L
Features:
 • Accurate



4-1113
 (Ref# 54-8339)
Starter Drive
13-T, CW

For: Mitsubishi OSGR Starters
Used On: Mitsubishi-Fuso
Replaces: Mitsubishi M191T66071, ME700887
Unit Nos: Mitsubishi M3T90271, M3T90273, M3T95171, M3T95172
Dim: 17mm ID, 48mm Gear OD, 120mm L
Features:
 • Accurate

Clutch Assemblies



4-764
 (Ref# 54-83407)
Clutch Assembly
CW, 18-SPL

For: Mitsubishi OSGR Starters
Used On: (1994-81) Audi, Dodge, Mazda, Mitsubishi, Nissan, Plymouth; Clark, Ford Tractor, Ingersoll-Rand, Toro
Replaces: (stamped 70171, 70771, 70971)
Unit Nos: Mitsubishi M1T50071, M1T50471, M2T50181, M2T50281, M2T50285, M2T50371, M2T50381, M2T50981, M2T52071, M2T52081, M2T52181, M2T52185, M2T52671, M2T52681, M2T53082, M2T53083, M2T53085, M2T53086, M2T53282, M2T53581, M2T53781, M2T54085, M2T58581, M2T58681, M2T58881
Lester Nos: 16584, 16720, 16733, 16780, 16803, 16866, 16875, 16982, 17110, 17172, 17173
WAI Ref. Nos: 2-1082-MI, 2-1105-MI, 2-1108-MI, 2-1153-MI, 2-1154-MI, 2-1167-MI, 2-1172-MI, 2-1363-MI, 2-1453-MI, 2-1454-MI, 2-1550-MI, 2-1612-MI
Dim: 109/124mm L
Features:
 • Accurate

STARTER - STARTER DRIVES (4- ACCURATE, 54- WAI)

MITSUBISHI

Clutch Assemblies (cont'd.)



4-772 **54-83401-1**
Accurate Best Value
Clutch Assembly
CW, 20-SPL

For: Mitsubishi OSGR Starters
Used On: (1984-82) Ford, Mazda (Diesel); Gehl, Onan, Yale
Replaces: Mitsubishi M357C71671, M357T71671, M357T76171, M357X82877; Onan 191-1445
Unit Nos: Mitsubishi M2T54271, M2T54371, M2T54372, M2T54572, M2T56071, M2T60071, M2T60072, M2T66371, M3T57371, M3T57575, M3T66072, M3T66073, M3T66074, M3T66572, M3T67171, M3T67172
Lester Nos: 16744, 16799, 17008, 18164, 18171, 18173, 18174
WAI Ref. Nos: 2-1138-MI, 2-1249-MI, 2-1551-MI, 2-1732-MI, 2-2024-MI
Dim: 117/135mm L



4-776
(Ref# 54-83403)
Clutch Assembly
CW, 20-SPL

For: Mitsubishi OSGR Starters
Used On: (1987-83) Dodge, Ford, Mitsubishi (Diesel); Toro
Replaces: (stamped 73171)
Unit Nos: Mitsubishi M2T56171, M2T56271, M2T56272, M2T56971, M2T60171, M2T60185, M2T60371, M2T61071, M2T61171
Lester Nos: 16854, 17036
WAI Ref. Nos: 2-1170-MI, 2-1451-MI, 2-1781-MI
Dim: 117/131mm L
Features:
• Accurate



4-786
(Ref# 54-83408)
Clutch Assembly
CW, 18-SPL

For: Mitsubishi OSGR Starters
Used On: Nissan Lift Truck
Unit Nos: Mitsubishi M2T58381, M2T58481
Lester Nos: 16935
WAI Ref. Nos: 2-1733-MI
Dim: 109/124mm L
Features:
• Accurate



4-1030 **54-83415-1**
Accurate Best Value
Clutch Assembly
CW, 20-SPL

For: Mitsubishi PLGR Starters
Used On: (2000-94) Ford 7.3L (Diesel); Caterpillar
Unit Nos: Mitsubishi M8T50071, M8T50171, M8T60371, M8T60372, M8T60771
Lester Nos: 17577, 17578, 18246
WAI Ref. Nos: 2-1747-MI, 2-1748-MI
Dim: 111mm L
Note: Used w/ 4-1030P (54-83218) pinion gear



4-1074
(Ref# 54-83417)
Clutch Assembly
CCW, 8-SPL

For: Mitsubishi PMGR Starters
Used On: (2001-94) Mercury, Nissan
Unit Nos: Ford F4XY-11002-A, F5XY-11002-A, XF52-11000-AA, XF5Z-11002-AA;
(cont'd.)

(cont'd.)
Mitsubishi, M1T64285, M1T68081;
Nissan 23300-0B010, -0B711, -7B010
Lester Nos: 17479, 17767
WAI Ref. Nos: 2-1772-MI
Dim: 93mm L
Note: Used w/ 4-1110 (54-83220) pinion.
Features:
• Accurate



4-1114
(Ref# 54-83411)
Clutch Assembly
CCW, 20-T

For: Mitsubishi OSGR Starters
Used On: (1997-89) Ford, Infiniti, Mazda, Nissan
Unit Nos: Mitsubishi M2T24181, M2T25281, M2T25282, M2T25581, M2T25681
Lester Nos: 17179, 17471, 17544
WAI Ref. Nos: 2-1120-MI, 2-1461-MI, 2-1768-MI
Dim: 57mm Gear OD, 114mm L
Note: 9.9mm shaft dia.
Features:
• Accurate



4-1115
(Ref# 54-83412)
Clutch Assembly
CCW, 20-T

For: Mitsubishi OSGR Starters
Used On: (1992-90) Infiniti
Replaces: Mitsubishi M357T76971, Nissan 23312-43L17
Unit Nos: Mitsubishi M3T26781, M3T26785
Lester Nos: 17069, 17426
WAI Ref. Nos: 2-1222-MI
Dim: 57mm Gear OD, 117mm L
Note: 10.9mm shaft dia.
Features:
• Accurate

STARTER - STARTER DRIVES (4- ACCURATE, 54- WAI)



4-1116 **54-83414-1**
Accurate Best Value
Clutch Assembly
CW, 20-SPL

For: Mitsubishi 4.5kW, 5.0kW OSGR Starters

Used On: Nissan Lift Truck

Unit Nos: Mitsubishi M3T56071, M3T56072, M3T56074, M3T56082, M3T56084

Lester Nos: 18242

WAI Ref. Nos: 2-1913-MI

Dim: 139/159mm L



4-1117
(Ref# 54-83416)
Clutch Assembly
CW, 18-SPL

For: Mitsubishi Starters

Used On: Bobcat, Gehl, IHC, Perkins

Unit Nos: Mitsubishi M2T50881, M2T54091

WAI Ref. Nos: 2-1780-MI

Dim: 110/123mm L

Features:

- Accurate



54-83413
(Ref# 4-937)
Clutch Assembly
CW, 20-SPL

For: Mitsubishi OSGR Starters

Used On: Case, Mitsubishi-Fuso, Nissan Lift Truck, Toro

(cont'd.)

(cont'd.)

Unit Nos: Mitsubishi M2T55271, M2T56471, M2T56472, M2T60271, M2T61371, M2T61771, M2T62271, M2T65271, M2T65272, M2T66272, M2T67881, M2T78381, M3T67281, M3T67283

WAI Ref. Nos: 2-1928-MI, 2-1963-MI, 2-2102-MI, 2-2103-MI

Dim: 126/144mm L

Pinion Gears



4-783
(Ref# 54-83211)
Pinion Gear
11-T, CW, 18-SPL

For: Mitsubishi OSGR Starters

Used On: Clark Lift Truck

Unit Nos: Mitsubishi M2T54085, M2T58581, M2T58681, M2T58881

Lester Nos: 17110

WAI Ref. Nos: 2-1612-MI

Dim: 34mm Gear OD, 19mm L

Note: Used w/ 4-764 (54-83407) clutch assy.

Features:

- Accurate



4-784
(Ref# 54-83212)
Pinion Gear
11-T, CW, 18-SPL

For: Mitsubishi OSGR Starters

Used On: Nissan Lift Truck

Unit Nos: Mitsubishi M2T58381, M2T58481

Lester Nos: 16935

WAI Ref. Nos: 2-1733-MI

Dim: 34mm Gear OD, 17.5mm L

Note: Used w/ 4-786 (54-83408) clutch assy.

Features:

- Accurate



4-939
(Ref# 54-83216)
Pinion Gear
11-T, CW, 20-SPL

For: Mitsubishi OSGR Starters

Used On: Case, Mitsubishi-Fuso, Nissan Lift Truck, Toro

Unit Nos: Mitsubishi M2T56471, M2T56472, M2T60271, M2T61371, M2T65271, M2T65272, M3T67281, M3T67283

WAI Ref. Nos: 2-1928-MI, 2-1963-MI, 2-2103-MI

Dim: 41.5mm Gear OD, 18.5mm L

Note: Used w/ 4-937 (54-83413) clutch assy.

Features:

- Accurate



4-1030P **54-83218-5**
Accurate Best Value
Pinion Gear
12-T, CW, 20-SPL

For: Mitsubishi PLGR Starters

Used On: (2000-94) Ford 7.3L (Diesel)

Unit Nos: Mitsubishi M8T50071, M8T50171, M8T50172

Lester Nos: 17577, 17578

WAI Ref. Nos: 2-1747-MI, 2-1748-MI

Dim: 37mm Gear OD, 16mm L

Note: Used w/ 4-1030 (54-83415) clutch assy.



4-1109
(Ref# 54-83219)
Pinion Gear
11-T, CW, 18-SPL

For: Mitsubishi Starters

Used On: Bobcat, Gehl, IHC, Perkins

Unit Nos: Mitsubishi M2T54091

WAI Ref. Nos: 2-1780-MI

Dim: 34.5mm Gear OD, 19mm L

Features:

- Accurate

STARTER - STARTER DRIVES (4- ACCURATE, 54- WAI)

MITSUBISHI

Pinion Gears (cont'd.)



54-83201

(Ref# 4-773)

Pinion Gear

10-T, CW, 20-SPL

For: Mitsubishi OSGR Starters

Used On: Onan

Unit Nos: Mitsubishi M2T56071, M2T66371

Lester Nos: 17008

WAI Ref. Nos: 2-1551-MI, 2-1732-MI

Dim: 40mm Gear OD, 18mm L

Note: Used w/ 54-83401 clutch assy.



54-83221

Pinion Gear

13-T, CW, 20-SPL

For: Mitsubishi OSGR Starters

Used On: Gehl, Hyster, Mitsubishi, Yale Lift Trucks

Replaces: Mazda 4840-24-709, Mitsubishi M605X26971

Unit Nos: Mitsubishi M2T54572, M3T67771

Lester Nos: 18171

WAI Ref. Nos: 2-2024-MI

Dim: 51mm Gear OD, 18.5mm L

Note: Used w/ 54-83401 Clutch

Features:

- Best Value
- 100% New at rebuilt prices



54-83222

Pinion Gear

10-T, CW, 20-SPL

For: Mitsubishi OSGR 5.0kW/24V Starters

Used On: Caterpillar

Replaces: Mitsubishi M605X28571

Unit Nos: Mitsubishi M3T56181, M3T56182, M3T56183

(cont'd.)

(cont'd.)

Lester Nos: 18239

WAI Ref. Nos: 2-2087-MI

Dim: 39mm Gear OD, 20mm L

Note: Used w/ 54-83414 clutch assy.

Features:

- Best Value
- 100% New at rebuilt prices

NIKKO



4-1011

(Ref# 54-8415)

Starter Drive

9-T, CW, 12-SPL

For: Nikko 3.5kW DD Starters

Used On: Hitachi Construction Equipment

Unit Nos: Nikko 0-21000-4720, 0-21000-4933, 0-21000-4934

Dim: 14mm ID, 35.5mm Gear OD, 80mm L

Features:

- Accurate



4-1059

(Ref# 54-8412)

Starter Drive

11-T, CW, 12-SPL

For: Nikko 4.5kW OSGR Starters

Used On: Kobelco America

Unit Nos: Nikko 0-23000-1030, 0-23000-1031, 0-23000-1050, 0-23000-1070, 0-23000-1071, 0-23000-1080, 0-23000-3130

WAI Ref. Nos: 2-1951-NK

Dim: 15mm ID, 40.5mm Gear OD, 84mm L

Features:

- Accurate



4-1061

(Ref# 54-8414)

Starter Drive

9-T, CW, 12-SPL

For: Nikko 2.8kW OSGR Starters

Used On: Isuzu Truck, Komatsu

Unit Nos: Nikko 0-23000-0060, 0-23000-0100, 0-23000-0240, 0-23000-0330, 0-23000-0332, 0-23000-0350, 0-23000-0450

Dim: 13mm ID, 35.5mm Gear OD, 72mm L

Features:

- Accurate

NIPPONDENSO

8-T, CW



4-814

(Ref# 54-8220)

Starter Drive

8-T, CW, 5-SPL

For: Nippondenso DD Starters

Used On: (1989-81) Chevrolet, Ford, Geo, Isuzu

Replaces: Nippondenso 028300-3571, 028300-4410

Unit Nos: Nippondenso 028000-665, 028000-6650, 128000-131, 128000-467

Lester Nos: 16245, 16707, 16880, 16883

WAI Ref. Nos: 2-1133-ND, 2-1194-ND, 2-1683-ND

Dim: 12.5mm ID, 28mm Gear OD, 82mm L

Features:

- Accurate

STARTER - STARTER DRIVES (4- ACCURATE, 54- WAI)



54-8234-1

(Ref# 4-875)

Starter Drive

8-T, CW, 5-SPL

For: Nippondenso PLGR Starters

Used On: (1994-89) Chevrolet Sprint, Geo Metro, Suzuki Swift

Replaces: Nippondenso 028300-6680

Unit Nos: Nippondenso 128000-621

Lester Nos: 17142

WAI Ref. Nos: 2-1189-ND

Dim: 11mm ID, 28mm Gear OD, 53mm L

Note: 47mm from shift-lever ring to pinion end

Features:

- Best Value
- 100% New at rebuilt prices

9-T, CW



4-416

Accurate

54-8205-1

Best Value

Starter Drive

9-T, CW, 10-SPL

For: Nippondenso DD Starters

Used On: (1980-68) Toyota

Replaces: Nippondenso 028300-0801, 028300-1690

Unit Nos: Nippondenso 028000-101, 028000-197, 028000-200, 028000-310, 028000-427, 028000-449, 028000-543

Lester Nos: 16220, 16222, 16223

WAI Ref. Nos: 2-1023-ND, 2-1031-ND, 2-1436-ND, 2-1682-ND

Dim: 12.5mm ID, 29.5mm Gear OD, 86mm L



4-649

Accurate

54-8207-1

Best Value

Starter Drive

9-T, CW, 5-SPL

For: Nippondenso DD Starters

Used On: (1991-70) Honda, Toyota; Carrier, Daihatsu, Ishikawajima, Kubota

Replaces: Nippondenso 028300-0660, 028300-0901, 028300-0911, 028300-1950, 028300-1951, 028300-3351

Lester Nos: 16215, 16217, 16218, 16220, 16222, 16224, 16230, 16238, 16264, 16704, 16734, 16735, 16766, 16832, 16843, 16910, 16911, 16912, 17354

WAI Ref. Nos: 2-1009-ND, 2-1013-ND, 2-1023-ND, 2-1028-ND, 2-1031-ND, 2-1033-ND, 2-1039-ND, 2-1421-ND, 2-1423-ND, 2-1434-ND, 2-1621-ND, 2-1622-ND, 2-1624-ND, 2-1682-ND, 2-1930-ND

Dim: 12.5mm ID, 29.5mm Gear OD, 82mm L

8-T, CCW



4-922

(Ref# 54-8231)

Starter Drive

8-T, CCW, 5-SPL

For: Nippondenso DD Starters

Used On: (1992-88) Daihatsu; Komatsu

Replaces: Nippondenso 028300-4320

Unit Nos: Nippondenso 028000-949, 028000-950, 128000-361, 128000-565

Lester Nos: 17152

WAI Ref. Nos: 2-1218-ND

Dim: 12.5mm ID, 25mm Gear OD, 82mm L

Features:

- Accurate



4-417

Accurate

54-8208-1

Best Value

Starter Drive

9-T, CW, 10-SPL

For: Nippondenso DD Starters

Used On: (1979-70) Ford, Toyota; Kubota

Replaces: Nippondenso 028300-0851, 028300-1020

Unit Nos: Nippondenso 028000-224, 028000-289, 028000-293, 028000-324, 028000-350, 028000-380, 028000-404, 028000-409, 028000-452, 028000-460, 028000-463, 028000-465, 028000-469, 028000-470

Lester Nos: 16215, 16245, 16258, 16260, 16261, 16633, 16637, 16646

WAI Ref. Nos: 2-1027-ND, 2-1130-ND, 2-1421-ND, 2-1422-ND

Dim: 12.5mm ID, 29.5mm Gear OD, 64mm L

Components:

62-81409 Bushing



4-691

(Ref# 54-8240)

Starter Drive

9-T, CW, 10-SPL

For: Nippondenso DD Starters

Used On: Kubota

Replaces: Nippondenso 028300-1390

Unit Nos: Nippondenso 028000-361

Dim: 12mm ID, 34mm Gear OD, 82mm L

Features:

- Accurate

STARTER - STARTER DRIVES (4- ACCURATE, 54- WAI)

NIPPONDENSO

9-T, CW (cont'd.)



4-740

(Ref# 54-8216)

Starter Drive

9-T, CW, 10-SPL

For: Nippondenso DD Starters

Used On: (1986-81) Chrysler, Dodge, Plymouth

Replaces: Nippondenso 028300-4030

Unit Nos: Nippondenso 028000-717, 128000-238

Lester Nos: 16677, 16974, 17015

WAI Ref. Nos: 2-1380-ND, 2-1384-ND

Dim: 12.5mm ID, 25.5mm Gear OD, 80mm L

Features:

- Accurate



4-869

Starter Drive

9-T, CW, 5-SPL

For: Nippondenso DD Starters

Used On: Chevrolet, Geo, Isuzu

Replaces: Delco 94239107, Isuzu 8-94239-107-0, Nippondenso 028300-3710

Unit Nos: Delco 94141664; Isuzu 2-91255-906-0, 8-94141-664-2, 8-94141-664-3; Nippondenso 128000-467

Lester Nos: 16880

WAI Ref. Nos: 2-1194-ND

Dim: 11.0mm ID, 29mm Gear OD, 82mm L

Note: For 8-tooth drive version use 4-814 (54-8220)

Features:

- Accurate



4-872

Accurate

54-8232-5

Best Value

Starter Drive

9-T, CW, 5-SPL

For: Nippondenso PLGR Starters

Used On: (2005-90) Geo, Isuzu, Toyota; Link-Belt Construction

Replaces: Isuzu 8-94367-772-0, Kubota K3511-81431, Toyota 28011-70020

Unit Nos: Nippondenso 128000-568, -740, -853, -889; 228000-402, -403, -540, -591, -673, -675, -676, -748, -854, -855

Lester Nos: 17203, 17252, 17253, 17679, 17680, 17805, 17806, 18414, 18417

WAI Ref. Nos: 2-1201-ND, 2-1543-ND, 2-1544-ND, 2-1693-ND, 2-1839-ND, 2-1840-ND, 2-1958-ND, 2-1959-ND, 2-2057-ND, 2-2058-ND

Dim: 11mm ID, 29mm Gear OD, 53mm L

Features:

- Accurate

Notes:

• 100% New at rebuilt prices

• 100% New at rebuilt prices

• 100% New at rebuilt prices

• 100% New at rebuilt prices

• 100% New at rebuilt prices

• 100% New at rebuilt prices

• 100% New at rebuilt prices

• 100% New at rebuilt prices

• 100% New at rebuilt prices

• 100% New at rebuilt prices

• 100% New at rebuilt prices

• 100% New at rebuilt prices

• 100% New at rebuilt prices

• 100% New at rebuilt prices

• 100% New at rebuilt prices

• 100% New at rebuilt prices

• 100% New at rebuilt prices

• 100% New at rebuilt prices

• 100% New at rebuilt prices

• 100% New at rebuilt prices

• 100% New at rebuilt prices

• 100% New at rebuilt prices

• 100% New at rebuilt prices

• 100% New at rebuilt prices

• 100% New at rebuilt prices

• 100% New at rebuilt prices

• 100% New at rebuilt prices

• 100% New at rebuilt prices

• 100% New at rebuilt prices

• 100% New at rebuilt prices

• 100% New at rebuilt prices

• 100% New at rebuilt prices

• 100% New at rebuilt prices

• 100% New at rebuilt prices

• 100% New at rebuilt prices

• 100% New at rebuilt prices

• 100% New at rebuilt prices

• 100% New at rebuilt prices

• 100% New at rebuilt prices

• 100% New at rebuilt prices

• 100% New at rebuilt prices

• 100% New at rebuilt prices

• 100% New at rebuilt prices

• 100% New at rebuilt prices

• 100% New at rebuilt prices

• 100% New at rebuilt prices

• 100% New at rebuilt prices

• 100% New at rebuilt prices

• 100% New at rebuilt prices

• 100% New at rebuilt prices

• 100% New at rebuilt prices

• 100% New at rebuilt prices

• 100% New at rebuilt prices

(cont'd.)

2-1821-ND, 2-1826-ND, 2-1828-ND, 2-1832-ND, 2-1833-ND, 2-1837-ND, 2-1838-ND, 2-1892-ND, 2-1944-ND, 2-1982-ND

Dim: 29mm Gear OD, 83mm L

Components:

4-725 (54-82201) Pinion

4-1071 (54-82401) Clutch Assy.

6-104-4 Ball Bearing

6-904-4 Ball Bearing

54-82604 Pinion Spring

76-82806 Retaining Ring

76-82807 Stop Collar

Features:

- Best Value

• 100% New at rebuilt prices

• 100% New at rebuilt prices

• 100% New at rebuilt prices

• 100% New at rebuilt prices

• 100% New at rebuilt prices

• 100% New at rebuilt prices

• 100% New at rebuilt prices

• 100% New at rebuilt prices

• 100% New at rebuilt prices

• 100% New at rebuilt prices

• 100% New at rebuilt prices

• 100% New at rebuilt prices

• 100% New at rebuilt prices

• 100% New at rebuilt prices

• 100% New at rebuilt prices

• 100% New at rebuilt prices

• 100% New at rebuilt prices

• 100% New at rebuilt prices

• 100% New at rebuilt prices

• 100% New at rebuilt prices

• 100% New at rebuilt prices

• 100% New at rebuilt prices

• 100% New at rebuilt prices

• 100% New at rebuilt prices

• 100% New at rebuilt prices

• 100% New at rebuilt prices

• 100% New at rebuilt prices

• 100% New at rebuilt prices

• 100% New at rebuilt prices

• 100% New at rebuilt prices

• 100% New at rebuilt prices

• 100% New at rebuilt prices

• 100% New at rebuilt prices

• 100% New at rebuilt prices

• 100% New at rebuilt prices

• 100% New at rebuilt prices

• 100% New at rebuilt prices

• 100% New at rebuilt prices

• 100% New at rebuilt prices

• 100% New at rebuilt prices

• 100% New at rebuilt prices

• 100% New at rebuilt prices

• 100% New at rebuilt prices

• 100% New at rebuilt prices

• 100% New at rebuilt prices

• 100% New at rebuilt prices

• 100% New at rebuilt prices

• 100% New at rebuilt prices

• 100% New at rebuilt prices

• 100% New at rebuilt prices

• 100% New at rebuilt prices

• 100% New at rebuilt prices

• 100% New at rebuilt prices

• 100% New at rebuilt prices

• 100% New at rebuilt prices

• 100% New at rebuilt prices

• 100% New at rebuilt prices

• 100% New at rebuilt prices

• 100% New at rebuilt prices

• 100% New at rebuilt prices

• 100% New at rebuilt prices

• 100% New at rebuilt prices



54-8202-1

(Ref# 4-676)

Starter Drive

9-T, CW

For: Nippondenso OSGR Starters

Used On: (1998-72) Acura, Chevrolet, Daihatsu, Geo, Honda, Isuzu, Toyota; Ishikawajima, Kubota, Toyota Lift Truck

Replaces: Nippondenso 028300-1791, 028300-1800, 028300-2000

Lester Nos: 16236, 248, 249, 251, 578, 585, 586, 600, 612, 672, 674, 736, 737, 746, 758, 759, 760, 761, 763, 786, 790, 800, 802, 821, 823, 825, 826, 827, 828, 829, 833, 834, 835, 837, 878, 891, 892, 895, 905, 906, 913, 960, 979; 17002, 003, 050, 125, 143, 155, 171, 251, 254, 255, 256, 264, 265, 420, 421, 422, 457, 483, 487, 495, 520, 521, 523, 525, 666, 681, 682

Dim: 29mm Gear OD, 100mm L

Components:

6-104-4 Ball Bearings

54-82201 Pinion

54-82402 Clutch Assy.

54-82604 Pinion Spring

76-82806 Retaining Ring

76-82807 Stop Collar

Features:

- Best Value

• 100% New at rebuilt prices

• 100% New at rebuilt prices

• 100% New at rebuilt prices

• 100% New at rebuilt prices

• 100% New at rebuilt prices

• 100% New at rebuilt prices

• 100% New at rebuilt prices

• 100% New at rebuilt prices

• 100% New at rebuilt prices

• 100% New at rebuilt prices

• 100% New at rebuilt prices

• 100% New at rebuilt prices

• 100% New at rebuilt prices

• 100% New at rebuilt prices

• 100% New at rebuilt prices

• 100% New at rebuilt prices

• 100% New at rebuilt prices

• 100% New at rebuilt prices

• 100% New at rebuilt prices

• 100% New at rebuilt prices

• 100% New at rebuilt prices

• 100% New at rebuilt prices

• 100% New at rebuilt prices

• 100% New at rebuilt prices

• 100% New at rebuilt prices

• 100% New at rebuilt prices

• 100% New at rebuilt prices

• 100% New at rebuilt prices

• 100% New at rebuilt prices



4-1036

Accurate

54-8235-1

Best Value

Starter Drive

9-T, CW

For: Nippondenso OSGR Starters

Used On: (2005-90) Acura, Chevrolet, Chrysler, Dodge, Geo, Honda, Isuzu, Lexus, Plymouth, Toyota

Replaces: Nippondenso 028300-6990, 028300-7170

Lester Nos: 16831, 16878, 17202, 17204, 17240, 17256, 17259, 17285, 17423, 17424, 17464, 17481, 17493, 17517, 17519, 17524, 17529, 17530, 17531, 17532, 17535, 17536, 17537, 17562, 17571, 17581, 17668, 17672, 17700, 17706, 17707,

STARTER - STARTER DRIVES (4- ACCURATE, 54- WAI)



54-8209-1
(Ref# 4-787)
Starter Drive
9-T, CW

For: Nippondenso OSGR Starters
Used On: (1987-81) Chevrolet, GMC, Isuzu 2.2L (Diesel); Hyster
Replaces: Nippondenso 028300-1841
Unit Nos: Nippondenso 028000-506, 028000-644, 028000-700, 028000-779, 128000-002, 128000-083, 128000-096, 128000-110, 128000-288, 228000-112, 228000-189
Lester Nos: 16739, 17303, 17381
WAI Ref. Nos: 2-1193-ND, 2-2099-ND
Dim: 31.5mm Gear OD, 102mm L
Components:
6-104-4 Ball Bearings
54-82204 Pinion
54-82402 Clutch Assy.
54-82604 Pinion Spring
76-82806 Retaining Ring
76-82807 Stop Collar
Features:
• Best Value
• 100% New at rebuilt prices

9-T, CCW



4-1106 **54-8244-1**
Accurate Best Value
Starter Drive
9-T, CCW, 5-SPL

For: Nippondenso 0.7kW DD Starters
Used On: John Deere 425 Lawn Tractor w/ Kawasaki Engine
Replaces: Nippondenso 028300-5720
Unit Nos: Kawasaki 21163-2101, 21163-2114, 21163-2118; Nippondenso 128000-936, 228000-221
Lester Nos: 18012
WAI Ref. Nos: 2-2035-ND
Dim: 11mm ID, 29mm Gear OD, 53mm L



54-8242-1
Starter Drive
9-T, CCW, 5-SPL

For: Nippondenso 0.6-0.7kW DD Starters
Used On: John Deere Lawn Tractor w/ Kawasaki Engine
Replaces: Kawasaki 13081-2085, Nippondenso 028300-5530
Unit Nos: Kawasaki 21163-2070, 21163-2073-A; Nippondenso 128000-289, 128000-402
Lester Nos: 18009, 18011
Dim: 11mm ID, 29mm Gear OD, 53mm L
Features:
• Best Value
• 100% New at rebuilt prices



54-8243-1
Starter Drive
9-T, CCW, 5-SPL

For: Nippondenso 0.6kW DD Starters
Used On: John Deere Lawn Tractors w/ Kohler Engines
Replaces: Nippondenso 028300-6010
Unit Nos: John Deere AM108390; Kohler 12-098-03, -03S; 24-098-01, -01S; Nippondenso 128000-748, 228000-264
Lester Nos: 17628
WAI Ref. Nos: 2-2022-ND
Dim: 11mm ID, 29mm Gear OD, 75mm L
Features:
• Best Value
• 100% New at rebuilt prices

10-T, CW



4-682
(Ref# 54-8200)
Starter Drive
10-T, CW, 4-SPL

For: Nippondenso DD Starters
Used On: John Deere
Replaces: Nippondenso 028300-1280
Unit Nos: Nippondenso 028000-329, 028000-365, 028000-393, 028000-397, 028000-504, 028000-592, 028000-596, 028000-692, 028000-743, 128000-026, 128000-077, 128000-200, 128000-369, 128000-434
Lester Nos: 16641, 16643
WAI Ref. Nos: 2-2028-ND, 2-2044-ND
Dim: 17mm ID, 40mm Gear OD, 102mm L
Features:
• Accurate



4-1035
(Ref# 54-8225)
Starter Drive
10-T, CW

For: Nippondenso OSGR Starters
Used On: (1998-91) Dodge, Lexus, Toyota
Replaces: Nippondenso 028300-7270, 028300-7760
Unit Nos: Nippondenso 128000-781, 228000-156, 228000-339
Lester Nos: 17466, 17485, 17573
WAI Ref. Nos: 2-1398-ND, 2-1588-ND, 2-1807-ND
Dim: 33mm Gear OD, 83mm L
Components:
4-791 (54-82206) Pinion Gear
4-1071 (54-82401) Clutch Assy.
6-104-4 Ball Bearing
6-904-4 Ball Bearing
54-82604 Pinion Spring
76-82806 Retaining Ring
76-82807 Stop Collar
Features:
• Accurate

STARTER - STARTER DRIVES (4- ACCURATE, 54- WAI)

NIPPONDENSO

10-T, CW (cont'd.)



4-1038
(Ref# 54-8236)
Starter Drive
10-T, CW, 4-SPL

For: Nippondenso 7.5kW DD Starters
Used On: Caterpillar, John Deere
Replaces: Nippondenso 028300-1860
Unit Nos: Nippondenso 028000-525, 128000-048
Lester Nos: 16655, 17371
WAI Ref. Nos: 2-1962-ND, 2-2045-ND
Dim: 17mm ID, 40mm Gear OD, 109mm L
Features:
• Accurate



4-1057 **54-8237-1**
Accurate Best Value
Starter Drive
10-T, CW, 18-SPL

For: Nippondenso 4.0kW IIF DD Starters
Used On: Case, Cummins, IHC, John Deere
Unit Nos: Nippondenso 128000-533, -597, -723, -725, -969, -980; 228000-136, -138, -139, -140, -236, -237, -469
Lester Nos: 17353, 618, 625, 627, 633, 634; 18008, 272
WAI Ref. Nos: 2-2043-ND, 2-2279-ND
Dim: 17mm ID, 40mm Gear OD, 104mm L



4-1034
(Ref# 54-8224)
Starter Drive
11-T, CW

For: Nippondenso OSGR Starters
Used On: (2000-90) Chrysler, Dodge, Plymouth
Replaces: Nippondenso 028300-6860
Unit Nos: Nippondenso 128000-714, 128000-750, 128000-803, 128000-938, 228000-303
Lester Nos: 17020, 17197, 17216, 17570
WAI Ref. Nos: 2-1382-ND, 2-1393-ND, 2-1459-ND, 2-1585-ND, 2-1823-ND
Dim: 29.5mm Gear OD, 83mm L
Components:
6-104-4 Ball Bearing
6-904-4 Ball Bearing
4-748 (54-82203) Pinion Gear
4-1071 (54-82401) Clutch Assy.
54-82604 Pinion Spring
76-82806 Retaining Ring
76-82807 Stop Collar
Features:
• Accurate

11-T, CW



4-1045 **54-8226-3**
Accurate Best Value
Starter Drive
10-T, CW

For: Nippondenso OSGR Starters
Used On: (2002-93) Chrysler, Dodge, Eagle, Plymouth
Unit Nos: Nippondenso 228000-036, 228000-047, 228000-611
Lester Nos: 17460, 17465, 17735
WAI Ref. Nos: 2-1527-ND, 2-1695-ND, 2-1943-ND
Dim: 28mm Gear OD, 83mm L
Components:
4-1001 (54-82215) Pinion Gear
4-1071 (54-82401) Clutch Assy.
6-104-4 Ball Bearing
6-904-4 Ball Bearing
54-82604 Pinion Spring
76-82806 Retaining Ring
76-82807 Stop Collar



4-788
(Ref# 54-8210)
Starter Drive
11-T, CW

For: Nippondenso OSGR Starters
Used On: (1989-81) Chrysler, Dodge, Plymouth; Kubota, Mitsui-Deutz
Replaces: Nippondenso 028300-2200, 028300-5490
Unit Nos: Nippondenso 028000-696, 028000-774, 028000-843, 128000-018, 128000-257, 128000-258, 128000-350
Lester Nos: 16676, 16849, 17007, 17020
WAI Ref. Nos: 2-1381-ND, 2-1385-ND, 2-1394-ND
Dim: 29.5mm Gear OD, 102mm L
Components:
6-104-4 Ball Bearings
4-748 (54-82203) Pinion
4-1103 (54-82402) Clutch Assy.
54-82604 Pinion Spring
76-82806 Retaining Ring
76-82807 Stop Collar
Features:
• Accurate



4-1102
(Ref# 54-8238)
Starter Drive
11-T, CW, 18-SPL

For: Nippondenso 5.0kW IIF DD Starters
Used On: Peterbilt, UPS Truck
Replaces: Nippondenso 028300-6040
Unit Nos: Nippondenso 128000-492, 128000-606, 128000-608, 128000-726, 128000-765, 228000-003, 228000-005
WAI Ref. Nos: 2-1762-ND, 2-1961-ND
Dim: 17mm ID, 56.5mm Gear OD, 119mm L
Features:
• Accurate

STARTER - STARTER DRIVES (4- ACCURATE, 54- WAI)



54-8241
(Ref# 4-803C)

Starter Drive
11-T, CW, 16-SPL

For: Nippondenso 3.0kW, 4.5kW, 5.5kW OSGR Starters

Used On: (1991-81) Chevrolet, GMC, Toyota; Isuzu Truck, Toyota Lift Truck

Replaces: Nippondenso 028300-2012, 028300-4551

Unit Nos: Nippondenso 028000-530, -549, -553, -555, -556, -557, -586, -620, -634, -656, -664, -687, -688, -724, -781, -807, -849, -884, -977; 128000-049, -097, -100, -157, -245, -247, -274, -410, -509, -530, -551, -760, -775; 228000-371

Lester Nos: 16614, 16830, 16881, 16896, 16967, 17286, 17292, 17301, 17302, 17304, 17306, 17311, 17313, 17376, 18155, 18156, 18181, 18190

WAI Ref. Nos: 2-1037-ND, 2-1730-ND, 2-1745-ND, 2-1753-ND, 2-1754-ND, 2-2104-ND, 2-2105-ND, 2-2106-ND

Dim: 40mm Gear OD, 146mm L

Components:

- 54-82212 Pinion
- 54-82400 Clutch Assy.
- 54-82600 Shaft Spring
- 76-82811 Retaining Ring
- 76-82813 Stop Collar

Features:

- Premium Quality

54-8241-1
Starter Drive

11-T, CW, 16-SPL

Same as 54-8241 except...

Features:

- Best Value
- 100% New at rebuilt prices

12-T, CW



4-851

(Ref# 54-8222)

Starter Drive

12-T, CW, 4-SPL

For: Nippondenso 4.0kW DD Starters

Used On: Allis-Chalmers

Replaces: Nippondenso 028300-1780

Unit Nos: Nippondenso 028000-493

Dim: 17mm ID, 46mm Gear OD, 102mm L

Features:

- Accurate

13-T, CW



54-8227

Starter Drive

13-T, CW

For: Nippondenso 3.0kW OSGR Starters

Used On: (2000-89) Dodge (Diesel)

Replaces: Nippondenso 028300-5670, 028300-7802

Unit Nos: Nippondenso 128000-422, 128000-491, 228000-229, 228000-331, 228000-332

Lester Nos: 17215, 17548

WAI Ref. Nos: 2-1397-ND, 2-1739-ND

Dim: 39.5mm Gear OD, 146mm L

Components:

- 4-771 Pinion Gear
- 54-82400 Clutch Assy.
- 54-82606 Pinion Spring
- 54-82600 Shaft Spring
- 76-82811 Retaining Ring
- 76-82813 Stop Collar

Features:

- Premium Quality

54-8227-5
Starter Drive

13-T, CW

Same as 54-8227 except...

Features:

- Best Value
- 100% New at rebuilt prices

13-T, CCW



4-1097
Accurate

54-8218
Best Value

Starter Drive

13-T, CCW

For: Nippondenso OSGR Starters

Used On: (1995-87) Lexus, Toyota

Replaces: Nippondenso 028099-6011, 028099-6590; Toyota 28011-74011, 28011-74060

Unit Nos: Nippondenso 128000-347, 128000-348, 128000-594, 128000-595, 128000-799

Lester Nos: 16893, 16978

WAI Ref. Nos: 2-1055-ND, 2-1056-ND

Dim: 40.5mm Gear OD, 115mm L

Components:

- 4-746 (54-82207) Pinion
- 4-1000 (54-82405) Clutch Assy.
- 6-104-4 Ball Bearings
- 54-82604 Pinion Spring
- 76-82806 Retaining Ring
- 76-82807 Stop Collar

STARTER - STARTER DRIVES (4- ACCURATE, 54- WAI)

NIPPONDENSO

Clutch Assemblies



4-1000
(Ref# 54-82405)
Clutch Assembly
CCW, 5-SPL

For: Nippondenso OSGR Starters
Used On: (1995-87) Acura, Lexus, Subaru, Toyota
Unit Nos: Nippondenso 128000-347, 128000-348, 128000-594, 128000-595, 128000-719, 128000-777, 128000-799, 128000-827
Lester Nos: 16893, 16978, 17170, 17274
WAI Ref. Nos: 2-1004-ND, 2-1055-ND, 2-1056-ND, 2-1216-ND
Dim: 90mm L
Note: Used in 4-1097 (54-8218) starter drive. Uses 6-104-4 bearings.
Components:
54-81501 Roller
54-82602 Spring
Features:
• Accurate



4-1062
(Ref# 54-82406)
Clutch Assembly
CCW, 10-SPL

For: Nippondenso OSGR Starters
Used On: (2005-90) Subaru
Unit Nos: Nippondenso 128000-832, 228000-714
Lester Nos: 17242
WAI Ref. Nos: 2-1215-ND
Dim: 52mm L
Note: Uses 6-104-4, 6-904-4 bearings (not included)
Components:
54-82503 Roller
54-82602 Spring
62-82801 Bushing
Features:
• Accurate



4-1063
(Ref# 54-82407)
Clutch Assembly
CW, 10-SPL

For: Nippondenso OSGR Starters
Used On: (1998-92) Acura, Dodge
Unit Nos: Nippondenso 228000-022, 228000-180, 228000-340
Lester Nos: 17273, 17549, 17574
WAI Ref. Nos: 2-1455-ND, 2-1717-ND, 2-1822-ND
Dim: 80mm L
Note: Uses 6-104-4, 6-904-4 bearings (not included)
Components:
54-82503 Roller
54-82602 Spring
62-82801 Bushing
Features:
• Accurate



4-1064
(Ref# 54-82408)
Clutch Assembly
CCW, 10-SPL

For: Nippondenso OSGR Starters
Used On: (2005-90) Acura, Lexus, Subaru, Toyota
Unit Nos: Nippondenso 128000-739, 128000-831, 128000-840, 128000-971, 128000-972, 228000-082, 228000-083, 228000-250, 228000-465, 228000-567, 228000-568, 228000-617, 228000-627, 228000-713
Lester Nos: 16888, 17170, 17263, 17400, 17534, 17687, 17715, 17716, 17774, 17777
WAI Ref. Nos: 2-1216-ND, 2-1404-ND, 2-1704-ND, 2-1834-ND, 2-1835-ND, 2-1836-ND, 2-1972-ND, 2-1984-ND
Dim: 80.5mm L
Note: Uses 6-104-4, 6-904-4 bearings (not included)
Components:
54-82503 Roller
54-82602 Spring
62-82801 Bushing
Features:
• Accurate



4-1071 **54-82401-1**
Accurate Best Value
Clutch Assembly
CW, 10-SPL

For: Nippondenso OSGR Starters
Used On: (2005-90) Acura, Chevrolet, Chrysler, Dodge, Eagle, Geo, Honda, Isuzu, Lexus, Plymouth, Toyota; Harley-Davidson
Replaces: Nippondenso 028301-0080, 028301-0500, 028301-0610, 128301-0010
Lester Nos: 16831, 878; 17020, 197, 202, 204, 216, 240, 256, 259, 285, 423, 424, 460, 464, 465, 466, 481, 485, 493, 516, 517, 519, 524, 526, 529, 530, 531, 532, 533, 535, 536, 537, 546, 562, 570, 571, 573, 581, 584, 668, 672, 700, 706, 707, 711, 727, 735, 737, 747
Dim: 52mm L
Note: Used in 4-1034 (54-8224), 4-1035 (54-8225), 4-1036 (54-8235), 4-1045 (54-8226) starter drives. Uses 6-104-4, 6-904-4 ball bearings (not included).
Components:
54-82503 Roller
54-82602 Roller Spring
62-82801 Bushing



4-1103
(Ref# 54-82402)
Clutch Assembly
CW, 5-SPL

For: Nippondenso OSGR Starters
Used On: (1998-72) Acura, Chevrolet, Chrysler, Daihatsu, Dodge, Geo, GMC, Honda, Isuzu, Lexus, Plymouth, Toyota; Caterpillar, Ford New Holland, Harley-Davidson, Hyster, Ishikawajima, Kubota, Mitsui-Deutz, Teledyne, Toyota Lift Truck
Lester Nos: 16236, 248, 249, 251, 585, 586, 600, 612, 657, 674, 676, 736, 737, 739, 746, 758, 759, 760, 761, 763, 786, 790, 800, 802, 821, 822, 823, 825, 826, 827, 828, 829, 833, 834, 835, 837, 849, 878, 884, 891, 892, 895, 905, 906, 913, 960, 979; 17002, 003, 007, 020, 050, 084, 100, 117, 125, 143, 155, 171, (cont'd.)

STARTER - STARTER DRIVES (4- ACCURATE, 54- WAI)

(cont'd.)

189, 251, 254, 255, 256, 264, 265, 298, 420, 421, 422, 457, 483, 487, 494, 495, 520, 521, 523, 525, 619, 666, 681, 682

Dim: 64mm L

Note: Used in 4-676 (54-8202), 4-788 (54-8210), 4-946 (54-8223) starter drives. Uses 6-104-4 bearings (not included).

Components:

54-82500 Roller
54-82601 Spring
62-82800 Bushing

Features:

- Accurate



4-1105

(Ref# 54-82410)

**Clutch Assembly
CW, 5-SPL**

For: Nippondenso OSGR Starters

Used On: Caterpillar Lift Trucks

Unit Nos: Nippondenso 128000-687

Lester Nos: 17622

WAI Ref. Nos: 2-2047-ND

Dim: 76mm L

Note: Uses 6-104-4 bearings (not included)

Components:

54-81501 Roller
54-82602 Spring

Features:

- Accurate



54-82400

(Ref# 4-806)

**Clutch Assembly
CW, 5-SPL**

For: Nippondenso 2.5kW, 3.0kW, 4.5kW, 5.5kW OSGR Starters

Used On: (2000-81) Chevrolet, Dodge, Toyota; Allis-Chalmers, Case, Caterpillar, Cummins, Daihatsu, GMC Truck, Hino, Isuzu Truck, John Deere, Komatsu, Kubota, Mitsui-Deutz, Teledyne, Toyota Lift Truck, White, Yanmar

Lester Nos: 16614, 16656, 16824, 16830, 16881, 16967, 16981, 17215, 17302, 17362, 17391, 17548

(cont'd.)

(cont'd.)

WAI Ref. Nos: 2-1037-ND, 2-1047-ND, 2-1397-ND, 2-1730-ND, 2-1731-ND, 2-1739-ND, 2-1745-ND, 2-1750-ND, 2-1751-ND, 2-1752-ND, 2-1753-ND, 2-1754-ND, 2-2104-ND, 2-2105-ND, 2-2106-ND

Dim: 92mm L

Note: Similar to 54-82409 except 54-82409 has seal for wet clutch applications.

Used in 54-8227, 54-8241 starter drives.

Components:

6-105-4 Ball Bearing
54-82500 Roller
54-82605 Spring (Early Style)
54-82607 Spring (Late Style)

Features:

- Best Value
- 100% New at rebuilt prices



54-82409

**Clutch Assembly
CW, 5-SPL**

For: Nippondenso 2.5kW, 4.5kW OSGR Starters

Used On: Case, Cummins

Unit Nos: Nippondenso 028000-588, 028000-601, 028000-745, 028000-856, 128000-021, 128000-054, 128000-101, 128000-227, 128000-411, 128000-509, 128000-530

Lester Nos: 16658, 16990

WAI Ref. Nos: 2-1526-ND, 2-1726-ND

Dim: 92mm L

Note: With seal for wet clutch applications.

Similar to 54-82400 except 54-82400 is wo/ seal.

Components:

6-105-4 Ball Bearing
54-82500 Roller
54-82605 Spring (Early Style)
54-82607 Spring (Late Style)
71-82102 Seal

Pinion Gears, 9-T



4-725

Accurate

54-82201-5

Best Value

Pinion Gear

9-T, CW, 18-SPL

For: Nippondenso OSGR Starters

Used On: (2005-72) Acura, Chevrolet, Chrysler, Daihatsu, Dodge, Geo, Honda, Isuzu, Lexus, Plymouth, Toyota; Carrier, Caterpillar, Ishikawajima, Kubota, Toyota Lift Truck

Lester Nos: 16236, 248, 249, 251, 578, 585, 586, 600, 612, 674, 736, 737, 746, 758, 759, 760, 761, 763, 786, 790, 800, 802, 821, 823, 825, 826, 827, 828, 829, 831, 833, 834, 835, 837, 878, 890, 891, 892, 895, 905, 906, 913, 979; 17002, 003, 027, 028, 050, 098, 101, 118, 125, 143, 155, 171, 189, 202, 204, 240, 251, 254, 255, 256, 259, 260, 264, 265, 285, 298, 345, 365, 366, 374, 378, 420, 421, 422, 423, 424, 457, 464, 481, 483, 487, 493, 495, 517, 519, 520, 521, 523, 524, 525, 529, 530, 531, 532, 535, 536, 537, 547, 562, 571, 581, 606, 666, 668, 671, 672, 676, 681, 682, 706, 707, 711, 727, 737, 747; 18019, 143, 182, 410

Dim: 29mm Gear OD, 23.5mm L

Note: 17mm Tooth length.

Used w/ 4-1071 (54-82401), 4-1103 (54-82402) clutch assys. in 4-1036 (54-8235) starter drives.

Similar to 4-747 (54-82208) except 4-747 is CCW version.



4-749

(Ref# 54-82204)

Pinion Gear

9-T, CW, 18-SPL

For: Nippondenso OSGR Starters

Used On: (1987-81) Chevrolet, GMC, Isuzu; Hyster, Thermo King

Unit Nos: Nippondenso 028000-506, 028000-644, 028000-700, 028000-779, 128000-002, 128000-083, 128000-096, 128000-110, 128000-288, 228000-112, 228000-189

Lester Nos: 16739

WAI Ref. Nos: 2-1193-ND, 2-2099-ND

Dim: 32.5mm Gear OD, 23.5mm L

Note: Used w/ 4-1103 (54-82402) clutch assy. in 4-787 (54-8209) starter drive

Features:

- Accurate

STARTER - STARTER DRIVES (4- ACCURATE, 54- WAI)

NIPPONDENSO

Pinion Gears, 9-T (cont'd.)



4-802
(Ref# 54-82211)
Pinion Gear
9-T, CW, 16-SPL

For: Nippondenso 2.5kW OSGR Starters
Used On: Kubota
Unit Nos: Nippondenso 028000-500, 028000-773
Dim: 35.5mm Gear OD, 36mm L
Note: Used w/ 4-806 (54-82400) clutch assy.
Features:

- Accurate



4-1099 **54-82217-1**
Accurate Best Value
Pinion Gear
9-T, CW or CCW, 18-SPL

For: Nippondenso OSGR Starters
Used On: (2002-86) Acura, Honda, Isuzu, Sterling
Unit Nos: Nippondenso 128000-283, 128000-708, 128000-746, 128000-970, 228000-081, 228000-205, 228000-226, 228000-399, 228000-504, 228000-642, 228000-720
Lester Nos: 16839, 16884, 17494, 17516, 17526, 17546, 17584, 17665
WAI Ref. Nos: 2-1001-ND, 2-1002-ND, 2-1020-ND, 2-1399-ND, 2-1561-ND, 2-1701-ND, 2-1714-ND, 2-1827-ND, 2-1879-ND
Dim: 29mm Gear OD, 25mm L
Note: 21mm tooth length. Used w/ 4-1071 (54-82401-1), 4-1103 (54-82402) clutch assys. Similar to 4-1100 (54-82218) except 4-1100 has 18mm tooth length.



4-1100
(Ref# 54-82218)
Pinion Gear
9-T, CW, 18-SPL

For: Nippondenso OSGR Starters
Used On: (1993-92) Acura
Unit Nos: Nippondenso 228000-022
Lester Nos: 17273
WAI Ref. Nos: 2-1455-ND
Dim: 29mm Gear OD, 25mm L
Note: 18mm tooth length. Used w/ 4-1063 (54-82407) clutch assy. Similar to 4-1099 (54-82217) except 4-1099 has 21mm tooth length.
Features:

- Accurate



4-82208
(Ref# 4-747)
Pinion Gear
9-T, CCW, 18-SPL

For: Nippondenso OSGR Starters
Used On: (2006-80) Subaru
Unit Nos: Nippondenso 028000-655, 028000-760, 028000-857, 028000-858, 028000-980, 128000-122, 128000-123, 128000-221, 128000-719, 128000-720, 128000-831, 128000-832, 228000-713, 228000-714
Lester Nos: 16696, 16730, 16888, 17169, 17170, 17242
WAI Ref. Nos: 2-1004-ND, 2-1206-ND, 2-1207-ND, 2-1215-ND, 2-1216-ND
Dim: 29mm Gear OD, 23.5mm L
Note: 15.5mm tooth length. Used w/ 4-1000 (54-82405), 4-1062 (54-82406), 4-1064 (54-82408) clutch assys. Similar to 4-725 (54-82201) except 4-725 is CW version.

54-82208-5
Pinion Gear
9-T, CCW, 18-SPL

Same as 54-82208 except...
Features:

- Best Value



54-82220
Pinion Gear
9-T, CW, 18-SPL

For: Nippondenso OSGR Starters
Used On: Thermo King
Replaces: Nippondenso 028099-5630
Unit Nos: Nippondenso 128000-057, 128000-228; Thermo King 45-267, 45-338, 45-1170
Lester Nos: 17373, 17375
WAI Ref. Nos: 2-1744-ND
Dim: 33.5mm Gear OD, 23.5mm L
Note: Used w/ 54-82402 Clutch
Features:

- Best Value
- 100% New at rebuilt prices

Pinion Gears, 10-T



4-791
(Ref# 54-82206)
Pinion Gear
10-T, CW, 18-SPL

For: Nippondenso OSGR Starters
Used On: (1998-88) Chrysler, Dodge, Lexus, Plymouth, Toyota
Unit Nos: Nippondenso 128000-496, 128000-527, 128000-528, 128000-567, 128000-632, 128000-781, 228000-156, 228000-339
Lester Nos: 17084, 17466, 17485, 17573
WAI Ref. Nos: 2-1383-ND, 2-1398-ND, 2-1588-ND, 2-1807-ND
Dim: 33mm Gear OD, 25mm L
Note: Used w/ 4-1071 (54-82401), 4-1103 (54-82402) clutch assys. in 3-946, 4-1035 (54-8225) starter drives
Features:

- Accurate

STARTER - STARTER DRIVES (4- ACCURATE, 54- WAI)



4-800
(Ref# 54-82209)
Pinion Gear
10-T, CW, 16-SPL

For: Nippondenso 2.5kW, 3.0kW, 4.5kW, 5.5kW OSGR Starters

Used On: Allis-Chalmers, Case, Caterpillar, Teledyne, White

Unit Nos: Nippondenso 028000-678, 128000-106, 128000-178, 128000-225, 128000-256, 128000-303, 128000-408, 128000-409, 128000-497, 128000-537, 128000-560, 128000-562, 128000-704, 128000-829, 228000-494, 228000-573, 228000-585

Lester Nos: 16981, 17391

WAI Ref. Nos: 2-1731-ND, 2-1751-ND

Dim: 40.5mm Gear OD, 36mm L

Note: Used w/ 4-806 (54-82400) clutch assy.

Features:

- Accurate



4-1001 **54-82215-5**
Accurate Best Value
Pinion Gear
10-T, CW, 18-SPL

For: Nippondenso OSGR Starters

Used On: (2002-93) Chrysler, Dodge, Eagle, Plymouth

Replaces: Nippondenso 028099-7950

Unit Nos: Chrysler 4609010, 4609346, 4609346AB, 4686045;

Nippondenso, 228000-036, 228000-047, 228000-611 611

Lester Nos: 17460, 17465, 17735

WAI Ref. Nos: 2-1527-ND, 2-1695-ND, 2-1943-ND

Dim: 28mm Gear OD, 25mm L

Note: Used w/ 4-1071 (54-82401) clutch assy. in 4-1045 (54-8226) starter drive

Pinion Gears, 11-T



4-748 **54-82203-1**
Accurate Best Value
Pinion Gear
11-T, CW, 18-SPL

For: Nippondenso OSGR Starters

Used On: (2000-81) Cadillac, Chevrolet, Chrysler, Dodge, Plymouth; Kubota

Unit Nos: Delco 1998538, 1998578, 1998585, 10455003, 10455702, 10455703, 10455704, 10455709;

Nippondenso 028000-626, 028000-696, 028000-774, 028000-843, 028000-903, 128000-018, 128000-257, 128000-258, 128000-318, 128000-350, 128000-495, 128000-543, 128000-650, 128000-662, 128000-684, 128000-714, 128000-750, 128000-803, 128000-811, 128000-828, 128000-938, 228000-069, 228000-219, 228000-303

Lester Nos: 16650, 16676, 16849, 17007, 17020, 17083, 17091, 17129, 17197, 17216, 17314, 17363, 17368, 17570, 17579, 18154, 18275

WAI Ref. Nos: 2-1381-ND, 2-1382-ND, 2-1385-ND, 2-1393-ND, 2-1394-ND, 2-1409-ND, 2-1410-ND, 2-1411-ND, 2-1442-ND, 2-1459-ND, 2-1585-ND, 2-1823-ND, 2-2209-ND

Dim: 29.5mm Gear OD, 25mm L

Note: Used w/ 4-1071 (54-82401), 4-1103 (54-82402) clutch assys. in 3-788, 4-1034 (54-8224) starter drives



4-803
(Ref# 54-82212)
Pinion Gear
11-T, CW, 16-SPL

For: Nippondenso 2.5kW, 3.0kW, 4.5kW, 5.5kW OSGR Starters

Used On: (1991-81) Chevrolet, Toyota (Diesel); Daihatsu, GMC Truck, Hino, Isuzu Truck, Komatsu, Mitsui-Deutz, Toyota Lift Truck

Lester Nos: 16614, 16830, 16881, 16967, 17302

WAI Ref. Nos: 2-1037-ND, 2-1730-ND, 2-1745-ND, 2-1753-ND, 2-1754-ND, 2-2104-ND, 2-2105-ND, 2-2106-ND

Dim: 40mm Gear OD, 36mm L

Note: Used w/ 4-806 (54-82400) clutch assy. in 4-803C (54-8241) starter drive. Similar to 4-1101 (54-82224) except 4-1101 is CCW.

Features:

- Accurate



4-1056
(Ref# 54-82219)
Pinion Gear
11-T, CW, 18-SPL

For: Nippondenso OSGR Starters

Used On: (1998-94) Dodge

Unit Nos: Nippondenso 228000-180, 228000-340

Lester Nos: 17549, 17574

WAI Ref. Nos: 2-1717-ND, 2-1822-ND

Dim: 33.5mm Gear OD, 23.5mm L

Note: Used w/ 4-1063 (54-82407) clutch assy.

Features:

- Accurate



4-801
(Ref# 54-82210)
Pinion Gear
11-T, CW, 16-SPL

For: Nippondenso 2.5kW OSGR Starters

Used On: John Deere, Toyota Lift Truck

Unit Nos: Nippondenso 028000-840

Lester Nos: 17362

WAI Ref. Nos: 2-1750-ND

Dim: 34mm Gear OD, 40mm L

Note: Used w/ 4-806 (54-82400) clutch assy.

Features:

- Accurate

STARTER - STARTER DRIVES (4- ACCURATE, 54- WAI)

NIPPONDENSO

Pinion Gears, 11-T (cont'd.)



4-1101

(Ref# 54-82224)

Pinion Gear

11-T, CCW, 16-SPL

For: Nippondenso OSGR Starters

Used On: Isuzu Truck

Unit Nos: GM 97147778,

Isuzu 8-97147778-2,

Nippondenso 228000-700

WAI Ref. Nos: 2-2122-ND

Dim: 40mm Gear OD, 36mm L

Note: Similar to 4-803 except 4-803 is CW.

Features:

- Accurate



54-82214

(Ref# 4-805)

Pinion Gear

11-T, CW, 18-SPL

For: Nippondenso OSGR Starters

Used On: Carrier, Kubota, Teledyne, Thermo King

Unit Nos: Nippondenso 028000-625, -783; 128000-007, -014, -116, -147, -216, -559

Lester Nos: 16759

WAI Ref. Nos: 2-1960-ND

Dim: 41.5mm Gear OD, 23.5mm L

Note: Used w/ 54-82402 clutch assy.



54-82221

Pinion Gear

11-T, CW, 16-SPL

For: Nippondenso 2.5kW OSGR Starters

Unit Nos: Kubota 15611-63011,

Nippondenso 028000-606

Dim: 41.5mm Gear OD, 40mm L

Pinion Gears, 13-T



4-746

Accurate

54-82207

Best Value

Pinion Gear

13-T, CCW, 18-SPL

For: Nippondenso OSGR Starters

Used On: (1995-87) Lexus, Toyota

Replaces: Nippondenso 028371-5653

Unit Nos: Nippondenso 128000-347, 128000-348, 128000-594, 128000-595, 128000-799

Lester Nos: 16893, 16978

WAI Ref. Nos: 2-1055-ND, 2-1056-ND

Dim: 41mm Gear OD, 23.5mm L

Note: 16.5mm tooth length.

Used w/ 4-1000 clutch assy. in 4-1097 starter drive.

Similar to 4-1098 except 4-1098 has 12.5mm tooth length.



4-771

Accurate

54-82202-1

Best Value

Pinion Gear

13-T, CW, 16-SPL

For: Nippondenso 2.5kW, 3.0kW OSGR Starters

Used On: (2000-89) Dodge; Case, Cummins, Ford Tractor, Versatile

Unit Nos: Nippondenso 028000-588, 128000-021, 128000-054, 128000-227, 128000-248, 128000-312, 128000-422, 128000-491, 128000-950, 228000-062, 228000-195, 228000-229, 228000-331, 228000-332

Lester Nos: 16658, 16990, 17215, 17390, 17394, 17548, 17600

WAI Ref. Nos: 2-1397-ND, 2-1526-ND, 2-1726-ND, 2-1739-ND

Dim: 39.5mm Gear OD, 36mm L

Note: Used w/ 4-806 (54-82400), 54-82409 clutch assys. in 54-8227 starter drive



4-1098

Accurate

54-82216-5

Best Value

Pinion Gear

13-T, CCW, 18-SPL

For: Nippondenso OSGR Starters

Used On: (2004-91) Lexus, Toyota

Unit Nos: Nippondenso 128000-739, 128000-827, 128000-840, 128000-971, 128000-972, 228000-082, 228000-083, 228000-250, 228000-567, 228000-568, 228000-617, 228000-627

Lester Nos: 16893, 17263, 17400, 17534, 17687, 17715, 17716, 17774, 17777

WAI Ref. Nos: 2-1055-ND, 2-1404-ND, 2-1704-ND, 2-1834-ND, 2-1835-ND, 2-1836-ND, 2-1972-ND, 2-1984-ND

Dim: 40.5mm Gear OD, 23.5mm L

Note: 12.5mm tooth length.

Used w/ 4-1000 (54-82405), 4-1064 (54-82408) clutch assys.

Will replace earlier style 4-746 (54-82207) pinion.

Pinion Gears, 15-T



54-82213

Pinion Gear

15-T, CW, 18-SPL

For: Nippondenso OSGR Starters

Used On: John Deere, Thermo King, Toyota, Yanmar

Unit Nos: Nippondenso 028000-573, 028000-580, 128000-071, 128000-072

Lester Nos: 16657, 17117

WAI Ref. Nos: 2-1742-ND, 2-1743-ND, 2-1746-ND

Dim: 44mm Gear OD, 23.5mm L

Note: Used w/ 54-82402 clutch assy.

STARTER - STARTER DRIVES (4- ACCURATE, 54- WAI)

PRESTOLITE



4-465

(Ref# 54-130)

Starter Drive

13-T, CW, 19-SPL

Positive Engagement

For: Delco 40MT Series; Leece-Neville; Prestolite DD Starters

Replaces: Delco 1932603, 1985131; Leece-Neville 13539, M029013539; Prestolite 59-225, PD-13A

Unit Nos: Delco 1113350, 1113369, 1113374, 1113801, 1113804, 1113811, 1113817;

Leece-Neville 7282M, 7408MA, 8282M; Prestolite MES-6403JUT

Dim: 19mm ID, 49.5mm Gear OD, 118mm L

Features:

- Accurate
- AccuSure Positive Engagement



4-488-118

(Ref# 54-172)

Starter Drive

11-T, CW, 19-SPL

Used On: Leece-Neville, Prestolite Starters

Replaces: Leece-Neville 71157, 73493, 74977, 97222; Prestolite 59-203, 59-205, PD-8A, PD-9A

Unit Nos: Leece-Neville 7268M, 7276M, MC; 7400M, MC; Prestolite 46-2278, MMO-6401

Lester Nos: 6209, 6212

Dim: 19mm ID, 56.5mm Gear OD, 118mm L

Note: Similar to 4-488 used on Bosch except 4-488 is 120mm L.

Features:

- Accurate

STARTER DRIVE PARTS

Delco



4-1201

(Ref# 54-1801)

Centrifugal Weight

For: Delco 35MT, 40MT, 42MT, 50MT Series DD Starters

Replaces: Facet 481549

Note: Used in positive engagement type drives

Features:

- Accurate



54-1800

Pin

For: Delco 35MT, 40MT, 42MT, 50MT Series DD Starters

Replaces: Facet 481550

Note: Used in positive engagement type drives

VALEO



4-472

Accurate

54-118-2

Best Value

Starter Drive

12-T, CW, 19-SPL

Positive Engagement

For: Bosch 420 Series; Delco 40MT Series; Leece-Neville; Prestolite MES, MFJ, MFY Series DD Starters

Replaces: Bosch 2-006-202-000; Delco 1918866, 1921998, 1932605; Leece-Neville 75249; Prestolite PD-7A

Unit Nos: Bosch 0-001-420-001, -003, -004, -005, -009, -012, -013, -014, -015; 0-001-421-003, -004; Delco 1108987; 1109158, 169, 170, 172, 178, 184, 229, 230, 233, 235, 236, 249, 801; 1113311, 313, 327, 337, 359, 602, 603, 605, 607, 617, 620, 621, 774, 775; 1114024, 036, 043, 044, 045; Prestolite MFY-6201K, MFY-6401A, MFY-6401K

Dim: 19mm ID, 46.5mm Gear OD, 120mm L



4-1020

(Ref# 54-9434)

Starter Drive

9-T, CW, 5-SPL

For: Valeo PMGR Starters

Used On: (1999-95) Saturn

Unit Nos: Delco 21023232, 21023719; Valeo D6RA65, D6RA85, D6RA165, D6RA185

Lester Nos: 17667

WAI Ref. Nos: 2-1713-VA

Dim: 12mm ID, 25.5mm Gear OD, 51mm L

Features:

- Accurate



54-1803

Cushion

For: Delco 35MT, 40MT, 42MT, 50MT Series DD Starters

Replaces: Facet 481347

Note: Used in positive engagement type drives



54-1804

Case Retaining Ring

For: Delco 35MT, 40MT, 42MT, 50MT Series DD Starters

Replaces: Facet 481352

Note: Used in positive engagement type drives

STARTER - STARTER DRIVES (4- ACCURATE, 54- WAI)

STARTER DRIVE PARTS

Hitachi



54-81501

Roller - Clutch Assy.

For: Hitachi, Nippondenso OSGR Starters

Dim: 7mm OD x 12.6mm L

Note: Used in 54-81400, 54-81401, 54-82405, 54-82410 clutch assys.



54-81600

Spring - Clutch Assy.

For: Hitachi OSGR; Mitsuba OSGR, PMOSGR Starters

Dim: 5mm x 12.5mm x 12.7mm L, .76mm Wire Dia.

Note: Used in 54-81400, 54-81401 clutch assys. Used w/ 54-81501 clutch rollers.

Mitsuba



54-81600

Spring - Clutch Assy.

For: Hitachi OSGR; Mitsuba OSGR, PMOSGR Starters

Dim: 5mm x 12.5mm x 12.7mm L, .76mm Wire Dia.

Note: Used in 54-81400, 54-81401 clutch assys. Used w/ 54-81501 clutch rollers.



54-85800

Retainer - Clutch

For: Mitsuba SM302 Series OSGR; SM402 Series PMOSGR Starters

Note: For rebuilding late style 54-8500 starter drive w/ pressed-in roller retainer plate



54-85801

Retaining Ring - Clutch

For: Mitsuba SM302 Series OSGR; SM402 Series PMOSGR Starters



76-85800

Retaining Ring - Starter Drive

For: Mitsuba SM302 Series OSGR; SM402 Series PMOSGR Starters

Note: Used w/ 76-85801 retaining cap. Included in 54-85201 pinion repair kit.



76-85801

Retaining Cap - Starter Drive

For: Mitsuba SM302 Series OSGR; SM402 Series PMOSGR Starters

Note: Used w/ 76-85800 retaining ring. Included in 54-85201 pinion repair kit.



79-85100

Retainer Kit - Clutch Assy.

For: Mitsuba OSGR Starters

Note: For rebuilding late style 54-8500 starter drive w/ pressed-in roller retainer plate

Components:

54-85801 Retaining Ring

54-85800 Retainer

62-85900 Bushing

Mitsubishi



54-83600

Spring - Pinion Gear

For: Mitsubishi PMGR Starters

Used On: (2005-94) Mercury, Nissan

Unit Nos: Mitsubishi M1T64285, M1T68081; M1T68781, ZC

Lester Nos: 17479, 17767, 17835

WAI Ref. Nos: 2-1772-MI, 2-2343-MI

Dim: 23mm OD x 21mm L, 1mm Wire Dia.

Note: Used w/ 54-83220-1 pinion gear

Nippondenso



54-81501

Roller - Clutch Assy.

For: Hitachi, Nippondenso OSGR Starters

Dim: 7mm OD x 12.6mm L

Note: Used in 54-81400, 54-81401, 54-82405, 54-82410 clutch assys.



54-82500

Roller - Clutch Assy.

For: Nippondenso 0.9kW, 1.0kW, 1.2kW, 1.4kW, 1.6kW, 1.8kW, 2.0kW, 2.2kW, 2.5kW, 3.0kW, 4.5kW, 5.5kW OSGR Starters

Dim: 7.7mm OD x 13mm L

Note: Used in 54-82400, 54-82402, 54-82409 clutch assys.



54-82503

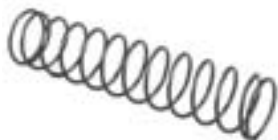
Roller - Clutch Assy.

For: Nippondenso 1.2kW, 1.4kW, 1.8kW, 2.0kW OSGR Starters

Dim: 7.4mm OD x 13mm L

Note: Used in 54-82401, 54-82406, 54-82407, 54-82408 Clutch assys.

STARTER - STARTER DRIVES (4- ACCURATE, 54- WAI)



54-82600

Spring - Drive Shaft

For: Nippondenso 2.5kW, 3.0kW, 4.5kW, 5.5kW OSGR Starters

Dim: 19.4mm OD x 92mm L x 1.3mm Wire Dia.

Note: Used in 54-8227 starter drive



54-82601

Spring - Clutch Roller

For: Nippondenso 0.9kW, 1.0kW, 1.2kW, 1.4kW, 1.6kW, 1.8kW, 2.0kW, 2.2kW OSGR Starters

Dim: 12.5mm L

Note: Used in 54-82402 clutch assys. Used w/ 54-82500 clutch roller.



54-82602

Spring - Clutch Roller

For: Nippondenso 1.0kW, 1.2kW, 1.4kW, 1.6kW, 1.8kW, 2.0kW, 2.2kW OSGR Starters

Dim: 6.3mm x 12mm x 14.5mm L, 0.7mm Wire Dia.

Note: Used in 54-82401, 54-82405*, 54-82406, 54-82407, 54-82408, 54-82410 clutch assys.

Used w/ 54-82503 clutch roller.

*Used w/ 54-81501 clutch roller.



54-82605

Spring - Clutch Roller

For: Nippondenso 2.5kW, 3.0kW, 4.5kW, 5.5kW OSGR Starters

Dim: 5.7mm OD x 22.5mm L x 0.7mm Wire Dia.

Note: Early style, used in 54-82400, 54-82409 clutch assys.



54-82606

Spring - Pinion Gear

For: Nippondenso 2.5kW, 3.0kW, 4.5kW, 5.5kW OSGR Starters

Dim: 15mm OD x 17.3mm L x 1.8mm Wire Dia.

Note: Used w/ 54-82202, 54-82209, 54-82210, 54-82211, 54-82212 pinion gears



54-82607

Spring - Clutch Roller

For: Nippondenso 2.5kW, 3.0kW, 4.5kW, 5.5kW OSGR Starters

Dim: 5.3mm x 12mm x 15mm L, .75mm Wire Dia.

Note: Late style, used in 54-82400, 54-82409 clutch assys. Used w/ 54-82500 clutch rollers.



54-82608

Spring - Pinion Gear

For: Nippondenso PMGR Starters

Used On: (2005-02) Lexus, Scion, Toyota

Unit Nos: Nippondenso 228000-990, Toyota 28100-28041

Lester Nos: 17825

WAI Ref. Nos: 2-2212-ND

Dim: 16mm OD x 10mm L, 1mm Wire Dia.

Note: Used w/ 54-82225 pinion gear

MARINE AND SMALL ENGINE



ARMATURES



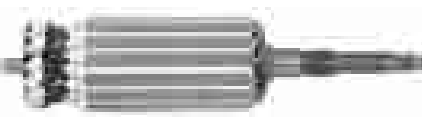
61-704
Armature
12 Volt, CCW

For: United Technologies Starters
Used On: OMC 40-75hp Marine Outboards
Replaces: United Technologies 1385540AT30SM; Ref# 5006-3452
Dim: 199mm OAL, 6-Splines 17mm Shaft OD, Front Bearing 8.5mm Shaft OD, Rear Bearing 7/16-20 Threads
Note: Used in 2-2078-UT, 2-2080-UT, 2-2160, 2-2195-UT starters
Features:
 • 100% New



61-705
Armature
12 Volt, CCW

For: United Technologies Starters
Used On: OMC 85-140hp Marine Outboards
Replaces: United Technologies 1385940AT30SM; Ref# 5006-3450
Dim: 218mm OAL, 6-Splines 17mm Shaft OD, Front Bearing 8.5mm Shaft OD, Rear Bearing 7/16-20 Threads
Note: Used in 2-2079-UT starter
Features:
 • 100% New



61-706
Armature
12 Volt, CCW

For: United Technologies Starters
Used On: OMC 150-235hp Marine Outboards
Replaces: United Technologies 1386340AT30SM; Ref# 5006-3459
Dim: 243mm OAL, 6-Splines 17mm Shaft OD, Front Bearing 8.5mm Shaft OD, Rear Bearing 7/16-20 Threads
Note: Used in 2-2074-UT starter
Features:
 • 100% New



61-707
Armature
12 Volt, CCW

For: United Technologies Starters
Used On: Chrysler / Force 70-150 HP Marine Outboards
Replaces: United Technologies 4418540AT30SM; Ref# 5006-3451
Unit Nos: United Technologies 4412040MO30SM
Dim: 235mm OAL, 6-Splines 17mm Shaft OD, Front Bearing 8.5mm Shaft OD, Rear Bearing 7/16-20 Threads
Note: Used in 2-2082-UT starter
Features:
 • 100% New



61-708
Armature
12 Volt, CCW

For: United Technologies Starters
Used On: Mercury 35-50hp Marine Outboards
Replaces: United Technologies 4438840AT30SM; Ref# 5006-3463
Unit Nos: United Technologies 0996140MO30SM, 4438540MO30SM
Dim: 200mm OAL, 6-Splines 17mm Shaft OD, Front Bearing 8.5mm Shaft OD, Rear Bearing 7/16-20 Threads
Note: Used in 2-2075-UT starter
Features:
 • 100% New



61-709
Armature
12 Volt, CCW

For: United Technologies Starters
Used On: Mercury 65-80hp Marine Outboards
Replaces: United Technologies 1796640AT30SM; Ref# 5006-3460
Unit Nos: United Technologies 1574540MO30SM, 4820140MO30SM
Dim: 235mm OAL, 6-Splines 17mm Shaft OD, Front Bearing 8.5mm Shaft OD, Rear Bearing 7/16-20 Threads
Note: Used in 2-2076-UT, 2-2127-UT starters
Features:
 • 100% New



61-710
Armature
12 Volt, CCW

For: United Technologies Starters
Used On: Mercury 150hp Marine Outboards
Replaces: United Technologies 1780040AT30SM; Ref# 5006-3455
Unit Nos: United Technologies 4820440MO30SM
Dim: 261mm OAL, 6-Splines 17mm Shaft OD, Front Bearing 8.5mm Shaft OD, Rear Bearing 7/16-20 Threads
Note: Similar to 61-711 except: 61-710: 97mm Lam stack length 61-711: 111mm Lam stack length
Features:
 • 100% New



61-711
Armature
12 Volt, CCW

For: United Technologies Starters
Used On: Mercury 200hp Marine Outboards
Replaces: United Technologies 1780340AT30SM; Ref# 5006-3455
Unit Nos: United Technologies 4820540MO30SM
Dim: 261mm OAL, 6-Splines 17mm Shaft OD, Front Bearing 8.5mm Shaft OD, Rear Bearing 7/16-20 Threads
Note: Used in 2-2081-UT starter Similar to 61-710 except: 61-710: 97mm Lam stack length 61-711: 111mm Lam stack length
Features:
 • 100% New

MARINE OUTBOARDS, PWC - COMPONENTS

BRUSH HOLDER PARTS



69-6200
Brush Holder

For: Prestolite MGL, MJL, MKQ, MKW Series Starters
Used On: Marine Outboard Applications
Replaces: Prestolite 36-863, MGL-1033B



69-7200
Brush Holder

For: United Technologies Starters

BRUSHES



68-7800
Brush Kit
12 Volt

For: United Technologies Starters
Used On: Chrysler / Force Marine Outboards, Kohler, Mercury Marine Outboards, OMC Marine Outboards, Onan
Replaces: United Technologies 1090040KT30SM, KT10900
Unit Nos: United Technologies 0255640MO30SM, 0599440MO30SM, 0814240MO30SM, 0996140MO30SM, 1079540MO30SM, 1122940MO30SM, 1147840MO30SM, 1492540MO30SM, 1635340MO30SM, 1799640MO30SM, 2070240MO30SM, 4412040MO30SM,
(cont'd.)

(cont'd.)

4438540MO30SM, 4820140MO30SM, 4820240MO30SM, 4820440MO30SM, 4820540MO30SM, 4836940MO30SM, 4838740MO30SM, 4886540MO30SM, 5059240MO30SM, 5672740MO30SM, 5675640MO30SM

Dim:

Fld. Brush: 8mm T x 10.5mm W x 12.5mm L x 116mm LL w/ 1/4-20 Post
Grd. Brush: 8mm T x 10.5mm W x 12.5mm L x 44mm LL

Note: Used in 2-2073-UT, 2-2074-UT, 2-2075-UT, 2-2076-UT, 2-2077-UT, 2-2078-UT, 2-2079-UT, 2-2080-UT, 2-2081-UT, 2-2082-UT, 2-2123-UT, 2-2124-UT, 2-2125-UT, 2-2129-UT, 2-2158, 2-2160, 2-2195-UT, 2-2250, 2-2251 starters.

Features:

- Premium Quality

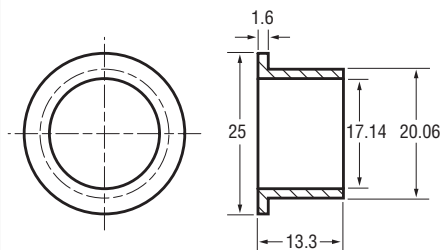
68-7800-3
Brush Kit
12 Volt

Same as 68-7800 except...

Features:

- Best Value

BUSHINGS



62-7600
Bushing - D.E.

For: United Technologies Starters
Replaces: Ref# 4394
Dim:
17.14mm ID x 20.06mm OD x 13.3mm L
.6750" ID x .7900" OD x .525" L

FIELD CASE ASSY



57-7200
Field Case Assy.
12 Volt

For: United Technologies PMDD Starters
Used On: OMC 25-40hp Marine Outboards
Unit Nos: United Technologies 0255640MO30SM
Note: Used in 2-2073-UT starter



57-7201
Field Case Assy.
12 Volt

For: United Technologies PMDD Starters
Used On: Chrysler / Force 70-150 hp ; Mercury 65-80hp Marine Outboards
Unit Nos: United Technologies 4412040MO30SM, 4820140MO30SM
Note: Used in 2-2076-UT, 2-2082-UT starters



57-7202
Field Case Assy.
12 Volt

For: United Technologies PMDD Starters
Used On: Mercury 35-50hp Marine Outboards
Unit Nos: United Technologies 0996140MO30SM
Note: Used in 2-2075-UT starter

MARINE OUTBOARDS, PWC - COMPONENTS



57-7203
Field Case Assy.
12 Volt

For: United Technologies PMDD Starters
Used On: Mercury 65-200hp Marine Outboards

Unit Nos: United Technologies 4820540MO30SM, 4836940MO30SM

Dim: 157mm L x 78mm OD

Note: Field case with 4-magnets. Used in 2-2077-UT, 2-2081-UT starters



57-7204
Field Case Assy.
12 Volt

For: United Technologies PMDD Starters
Used On: OMC 40-60hp Marine Outboards

Unit Nos: United Technologies 1122940MO30SM

Dim: 103mm L x 78mm OD

Note: Field case with 2-magnets. Used in 2-2080-UT starter

FRAMES - C.E.



52-702
C.E. Frame

For: United Technologies Starters
Used On: Chrysler / Force Marine 70-150hp Marine Outboards

(cont'd.)

(cont'd.)

Replaces: United Technologies 5265040CP30SM

Note: Includes brush holder & brushes. Used in 2-2082-UT starter

Components:
68-7800 Brush Kit
69-7200 Brush Holder



52-703
C.E. Frame

For: United Technologies Starters
Used On: OMC 55-140hp Marine Outboards

Replaces: United Technologies 2071640CP30SM

Note: Includes brush holder & brushes. Used in 2-2078-UT, 2-2079-UT starters

Components:
68-7800 Brush Kit
69-7200 Brush Holder



52-704
C.E. Frame

For: United Technologies Starters
Used On: Mercury 65-150hp Marine Outboards

Replaces: United Technologies 4823040CP30SM, 4872940

Note: Includes brush holder & brushes. Used in 2-2076-UT, 2-2077-UT starters

Components:
68-7800 Brush Kit
69-7200 Brush Holder



52-706
C.E. Frame Assy.

For: United Technologies Starters
Used On: OMC 25-50hp Marine Outboards

Replaces: United Technologies 0261240CP30SM

Unit Nos: United Technologies 0255640MO30SM, 4438540MO30SM, 5059240MO30SM

Note: Includes brush holder & brushes. Used in 2-2073-UT, 2-2160 starters.

Components:
68-7800 Brush Kit
69-7200 Brush Holder



52-707
C.E. Frame Assy.

For: United Technologies Starters
Used On: Kohler, Mercury 35-50hp Marine Outboards, OMC 40-60hp Marine Outboards, Onan

Replaces: United Technologies 2025040CP30SM

Unit Nos: United Technologies 0599440MO30SM, 0996140MO30SM, 1079540MO30SM, 1122940MO30SM, 1492540MO30SM, 1635340MO30SM

Note: Includes brush holder & brushes. Used in 2-2075-UT, 2-2080-UT, 2-2123-UT, 2-2129-UT, 2-2195-UT starters.

Components:
68-7800 Brush Kit
69-7200 Brush Holder

MARINE OUTBOARDS, PWC - COMPONENTS

SOLENOIDS & SWITCHES



7-1066

Solenoid

12 Volt, 3-Terminal

Used On: Evinrude, Johnson, OMC Marine Applications for Starter, Power Tilt and Trim Solenoid

Replaces: OMC 584128

Dim:

- 2) 5/16-18 Terminals
- 1) 10-32 Terminals

Note: For 4-terminal version use 67-713.

Features:

- Accurate
- Copper contact terminals
- Grounded base w/ phenolic housing



67-701

Solenoid

12 Volt, 4-Terminal

Used On: OMC Marine Outboards & other Inboard/Outboard Power Tilt & Trim Motor Applications

Replaces: OMC Marine 383622, 395419

Features:

- Epoxy coils



67-710

Solenoid

12 Volt, 4-Terminal

Used On: Mercury Marine Outboard Applications

Replaces: Mercury Marine 89-68258-A4

Dim:

- 2) 5/16-18 Terminals
- 2) 10-32 Terminals



67-711

Solenoid

12 Volt, 4-Terminal

Used On: Mercury Marine Outboard, Mercruiser Applications

Replaces: Mercury Marine 89-96054

Dim:

- 2) 1/4-20 Terminals
- 2) 8-32 Terminals



67-712

Solenoid

12 Volt, 4-Terminal

Used On: Mercury Marine Outboard, Mercruiser Applications

Replaces: Mercury Marine 89-96158



67-713

Solenoid

12 Volt, 4-Terminal

Used On: Evinrude, Johnson, OMC Marine Applications for Starter, Power Tilt and Trim Solenoid

Replaces: OMC 985063

Dim:

- 2) 5/16-18 Terminals
- 2) 10-32 Terminals

Note: For 3-terminal version use 7-1066.

Features:

- Copper contact terminals
- Grounded base w/ phenolic housing



67-714

Solenoid

12 Volt, 3-Terminal

Used On: Evinrude, Johnson, OMC Marine Applications for Starter, Power Tilt and Trim Solenoid

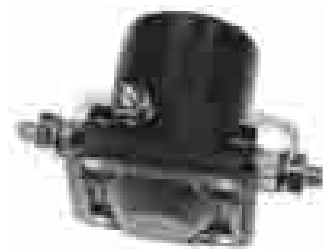
Replaces: OMC 172869

Dim:

- 2) 5/16-18 Terminals
- 1) 10-32 Terminals

Features:

- Copper contact terminals
- Insulated base w/ phenolic housing



67-715

Solenoid

12 Volt, 3-Terminal

Used On: OMC Marine Applications

Replaces: OMC 979774

Dim:

- 2) 5/16-24 Terminals
- 1) 10-32 Terminals



67-717

Solenoid

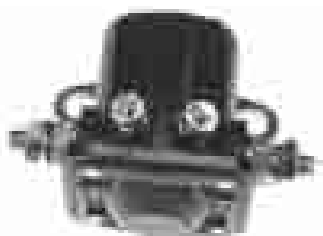
12 Volt, 4-Terminal

Used On: Sea-Doo, Ski-Doo

Dim:

- 2) 1/4-20 Terminals
- 2) 8-32 Terminals

MARINE OUTBOARDS, PWC - COMPONENTS



67-718
(Ref# 7-1028)

Solenoid

12 Volt, 4-Terminal

Used On: AMC, Caterpillar, Checker Motors, Chrysler, Dodge, Evinrude, Ford, Ford Farm Tractors & Equipment, Jeep, Johnson, Lincoln, Mercury, Mercury Marine, OMC, Plymouth

Replaces: Chrysler 1658883, 2095606, CH-2336; Cole Hersee 24023; Delco 1477, 1486, 1114206, 1114537; Mercury Marine 25661, 8761053, 8915857, 8976545, 8968258; OMC 378444, 581528; Prestolite 15-5C, 15-6, 15-66, 15-72, 15-137, 15-150, 15-274, 15-275, 15-295, 15-340, 15-348, 15-351, 15-368, 15-391, 15-400, 15-415, 15-418, 15-441, 15-451, 15-457, 15-487, SAE-4003M, SAS-4206, SAS-5202C; SAW-4206, M; SAW-4221Y, SAW-5203; SAZ-4201AB, ABY, AHY, AL, AP, BC, BR, CJ, DUY, EY; United Technologies SO-51177, 8890-3

Dim:

- 2) 5/16-24 Terminals
- 2) 10-32 Terminals

Note: Flat mounting bracket.

Features:

- Copper contact terminals
- Insulated base w/ phenolic housing

STARTER DRIVES

Hitachi



4-752
(Ref# 54-8106)

Starter Drive

9-T, CCW, 6-SPL

For: Hitachi DD Starters

Used On: Kawasaki 440, 550cc Jet Ski

Replaces: Kawasaki 59051-3005

Unit Nos: Hitachi S108-28H, K;

S108-61F, G; S108-116;

Kawasaki 21163-3710

Dim: 12mm ID, 29.5mm Gear OD, 40mm L

Note: Used in 2-2130-HI starter

Features:

- Accurate



54-8149
(Ref# 4-956)

Starter Drive

11-T, CCW, 6-SPL

For: Hitachi Starters

Used On: Yamaha 500cc Personal Watercrafts

Replaces: Yamaha 6K8-81807-10-10

Unit Nos: Hitachi S108-102, A, B

Dim: 12mm ID, 33.1mm Gear OD, 40mm L

Mitsuba



4-973
(Ref# 54-8501)

Starter Drive

19-T, CCW

For: Mitsuba Personal Watercrafts Starters

Used On: Kawasaki, Polaris 650, 750cc; Yamaha 650, 701, 760, 800, 1100, 1200cc Personal Watercrafts

Replaces: Kawasaki 13101-3706, Yamaha 6M6-8183E-00-00

Dim: 44mm Gear OD, 107mm L

Note: 55-tooth reduction gear

Features:

- Accurate

Nippondenso



4-972
(Ref# 54-8239)

Starter Drive

9-T, CCW, 6-SPL

For: Nippondenso DD Starters

Used On: Sea-Doo 580, 650cc Personal Watercrafts; 720cc Personal Watercrafts & Jetboats

Replaces: Nippondenso 028300-7711, Sea-Doo 295-500-089

Unit Nos: Nippondenso 128000-486, 228000-456; Sea-Doo 278-000-300, -316, -485

Dim: 12mm ID, 29.5mm Gear OD, 34mm L

Note: Used in 2-2145-ND, 2-2147 starters

Features:

- Accurate

STARTER DRIVES

United Technologies



4-1090

(Ref# 54-7002)

Starter Drive

10-T, CCW, 6-SPL

For: United Technologies Starters

Used On: Mercury,
OMC Marine Outboards

Replaces: United Technologies
5712820

Unit Nos: United Technologies
0139940, 0996340, 1147840, 2070240,
40139940, 4730940, 4820140,
4820240, 4820340, 4836940, 4838640

Dim: 11.9mm ID, 32mm Gear OD,
37mm L

Features:

- Accurate



54-7011

Starter Drive Kit

24-Teeth, CCW

For: United Technologies Starters

Used On: Onan Microlite RV Genset
Engines

Replaces: United Technologies
6022040GE30SM

Unit Nos: Onan 191-1798,
United Technologies 6020940MO20SM,
SM60209

Dim: 58mm Gear OD, 11.5mm L Gear

Note: Includes gear and clutch.
Used in 2-2243 starter



54-7012

Starter Drive Kit

16-Teeth, CCW

For: United Technologies Starters

Used On: Onan Marine, RV Genset
Engines

Replaces: United Technologies
6024140GE30SM

Unit Nos: Onan 191-1630,
United Technologies 6019440MO30SM,
SM60917

Dim: 40.5mm Gear OD, 20mm L Gear

Note: Includes gear and clutch. Used in
2-2244 starter



54-7013

Starter Drive

9-Teeth, CCW

For: United Technologies Starters

Used On: Chrysler / Force 70-150hp
Marine Outboards

Replaces: United Technologies
4419240DV30SM, 7010340DV30SM

Unit Nos: United Technologies
4412040MO30SM

Dim: 13mm ID, 29mm Gear OD, 36mm L

Note: 1-piece drive. Used in 2-2082-UT
starter.



54-7014

Starter Drive

10-Teeth, CCW

For: United Technologies Starters

Used On: OMC V4 85-140hp Marine
Outboards

Replaces: United Technologies
6725340KT30SM

Unit Nos: United Technologies
5953540MO30SM

Dim: 13mm ID, 32mm Gear OD, 36mm L

Note: 1-piece aftermarket drive,
replaces 2-piece OE drive.

Used in 2-2159, 2-2166 starters.



54-7015

Starter Drive

9-Teeth, CCW

For: United Technologies Starters

Used On: Mercury 35-50hp Marine
Outboards

Replaces: United Technologies
0255740DV30SM

Unit Nos: United Technologies
0996140MO30SM

Dim: 12.2mm ID, 29mm Gear OD,
36mm L

Note: 1-piece drive.

Used in 2-2075-UT starter.



54-7016
Starter Drive
10-Teeth, CCW

For: United Technologies Starters
Used On: Mercury 30-150hp Marine Outboards
Replaces: United Technologies 1801940DV30SM, 7017540DV30SM
Unit Nos: United Technologies 1147840MO30SM, 2070240MO30SM, 4820140MO30SM, 4820240MO30SM, 4836940MO30SM, 5675640MO30SM
Dim: 13mm ID, 32mm Gear OD, 36mm L
Note: 1-piece drive.
 Used in 2-2076-UT, 2-2077-UT, 2-2079-UT, 2-2158, 2-2251 starters.



54-7017
Starter Drive
11-Teeth, CCW

For: United Technologies Starters
Used On: OMC 25-40hp Marine Outboards
Replaces: United Technologies 1637540DV30SM
Unit Nos: United Technologies 0255640MO30SM
Dim: 13mm ID, 42.7mm Gear OD, 36mm L
Note: 1-piece drive.
 Used in 2-2073-UT starter.



54-7018
Starter Drive
9-Teeth, CCW

For: United Technologies Starters
Used On: OMC 40-75hp Marine Outboards
Replaces: United Technologies 2034640DV30SM
Unit Nos: United Technologies 1122940MO30SM, 1799640MO30SM
Dim: 13mm ID, 36.6mm Gear OD, 37mm L
Note: 1-piece drive.
 Used in 2-2078-UT, 2-2080-UT starters.



54-7019
Starter Drive
8-Teeth, CCW

For: United Technologies Starters
Used On: Mercury 135-200hp, OMC 150-235hp Marine Outboards
Replaces: United Technologies 4787140DV30SM, 701044DV30SM
Unit Nos: United Technologies 0814240MO30SM, 4820440MO30SM, 4820540MO30SM, 4886540MO30SM
Dim: 12.2mm ID, 27mm Gear OD, 36mm L
Note: 1-piece drive.
 Used in 2-2074-UT, 2-2081-UT starters.

MOTORCYCLE - COMPONENTS

MOTORCYCLE



4-420
(Ref# 54-169)
Starter Drive
11-T, CW, 19-SPL

For: Harley Davidson Starters
Used On: (1988-65) Harley Davidson Motorcycle, Big Twin
Replaces: Harley-Davidson 31443-65A
Unit Nos: Harley-Davidson, 31455-64A
Dim: 12mm ID x 42.5mm OD x 41mm L
Features:

- Accurate



59-8500
Field Coil
12 Volt

For: Mitsuba PLGR Starters
Used On: ATV, Motorcycle, Jetski Applications
Unit Nos: Mitsuba SM-224
Dim: 55mm HT x 13mm W
Features:

- Mfd. in Canada



66-7000
(Ref# 7-1008)
Solenoid

12 Volt, 4-Terminal

Used On: (1979-74) Harley Davidson Motorcycles
Replaces: Harley-Davidson 71463-73, A; Prestolite 15-3F, SAZ-4201, AD, N
Dim:

- 2) 5/16-18 Terminals
- 2) 10-32 Terminals

Features:

- Best Value
- 100% New at rebuilt prices
- Copper contact terminals
- Grounded base w/ phenolic housing
- Late style flat mounting bracket w/ 2 slotted mounting holes



66-7001-2
(Ref# 7-989C)

Solenoid

12 Volt, 3-Terminal

For: Harley-Davidson Starters
Used On: (1988-65) Harley-Davidson Motorcycles
Replaces: Harley Davidson 71469-65, -65A, -65B, -69; 71470-86T; 71473-77, -77A, -77B; Prestolite 15-452, 15-453; SAJ-4003A, AA, B, BA
Dim:

- Batt. Term. 3/8-16
- Motor Term. 3/8-16
- Switch Term. 10-32

Features:

- Best Value
- 100% New at rebuilt prices
- Chrome finish



66-7002-1
(Ref# 7-990C)

Solenoid

12 Volt, 3-Terminal

For: Harley-Davidson Starters
Used On: (1988-80) Harley-Davidson Motorcycles
Replaces: Harley Davidson 31489-79, -79A, -79B; 31511-90T, 31526-81B; Prestolite 15-454, 15-455; SAJ-4011, A, B
Dim:

- Batt. Term. 3/8-16
- Motor Term. 3/8-16
- Switch Term. 10-32

Features:

- Best Value
- 100% New at rebuilt prices
- Chrome finish

SMALL ENGINE - COMPONENTS

ARMATURES



61-700
Armature
12 Volt

For: Briggs & Stratton Small Engine Starters
Replaces: Briggs & Stratton 497603, 692034
Dim: 167mm OAL
 12.6mm Shaft OD, Front Bearing
 12.6mm Shaft OD, Rear Bearing
Features:
 • 100% New



61-702
Armature
12 Volt

For: Tecumseh Small Engine Starters
Replaces: Tecumseh 33846
Dim: 183mm OAL
 8-Splines
 12.7mm Shaft OD, Front Bearing
 9.5mm Shaft OD, Rear Bearing
Features:
 • 100% New



61-703
Armature
12 Volt

For: Tecumseh Small Engine Starters
Replaces: Tecumseh 35895
Dim: 163mm OAL
 10-Splines
 12.7mm Shaft OD, Front Bearing
 9.5mm Shaft OD, Rear Bearing
Features:
 • 100% New

BRUSH HOLDER ASSYS.



69-700

Brush Holder Assy.

For: Briggs & Stratton Small Engine Starters
Replaces: Briggs & Stratton 497605
Unit Nos: Briggs & Stratton 396306, 497401, 497595, 497596, 498148, 499521, 690658, 691262, 691564, 693054, 693551, 693552, 694504, 808106
Components:
 68-7802 Brush Kit



69-701

Brush Holder Assy.

For: Tecumseh Small Engine Starters
Replaces: Tecumseh 33712
Unit Nos: Tecumseh 33600, 33605, 33606, 33607, 34421, 35763, 35765
Note: Used in 2-2194, 2-2247 starters. 69-701 and 69-702 appear identical except for the location of the field and ground brushes.
Components:
 68-7804 Brush Kit



69-702

Brush Holder Assy.

For: Tecumseh Small Engine Starters
Replaces: Tecumseh 33848
Unit Nos: Tecumseh 33835
Note: Used in 2-2193 starter. 69-701 and 69-702 appear identical except for the location of the field and ground brushes.
Components:
 68-7804 Brush Kit

BRUSHES

Briggs & Stratton



68-7801
Brush Kit

For: Briggs & Stratton Small Engine Starters
Replaces: Briggs & Stratton 391705
Unit Nos: Briggs & Stratton 390838, 391177, 392749, 393017, 393499, 393851, 394805, 396306
Dim:
 Fld. Brush: 6mm T x 9.5mm W x 12.5mm L x 108mm LL w/ 1/4-20 Stud
 Grd. Brush: 6mm T x 9.5mm W x 12.5mm L x 45mm L
Note: Includes brushes and springs



68-7802
Brush Kit

For: Briggs & Stratton Small Engine Starters
Replaces: Briggs & Stratton 497608
Unit Nos: Briggs & Stratton 396306, 497401; 497453, 497461, 497595, 497596, 498148, 499521, 690658, 691262, 691564, 693054, 693469, 693551, 693552, 694504, 808106
Dim:
 Fld. Brush: 7mm T x 9.54mm W x 12mm L x 107mm LL w/ 1/4-20 Stud
 Grd. Brush: 7mm T x 9.5mm W x 12mm L x 40mm L
Note: Includes brushes and springs

SMALL ENGINE - COMPONENTS

BRUSHES

Briggs & Stratton (cont'd.)



68-7805 Brush Kit

For: Briggs & Stratton Small Engine Starters

Replaces: Briggs & Stratton 490311
Unit Nos: Briggs & Stratton 399169, 399928, 490753, 491334, 494990, 495100, 495102

Dim: Fld Brush: 9.5mm T x 12.5mm W x 15.5mm L x 123mm LL w/ 1/4-20 Stud Grd. Brush: 9.5mm T x 12.5mm W x 15.5mm L x 55mm L

Note: Includes brushes and springs



68-7806 Brush Kit

For: Briggs & Stratton Small Engine Starters

Replaces: Briggs & Stratton 395538
Unit Nos: Briggs & Stratton 394805, 394808, 394943, 396306, 490420, 491308, 491766, 494198

Dim: Fld. Brush: 6mm T x 9.5mm W x 12.5mm L x 113mm LL w/ 1/4-20 Stud Grd. Brush: 6mm T x 9.5mm W x 12.5mm L x 43mm L

Bushing: 12.58mm ID x 18.23mm OD x 12.74 L

Bushing: 9.54mm ID x 14.35mm OD x 9.51mm L w/ Shoulder

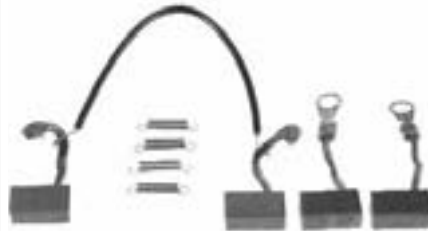
Note: Includes brushes, springs & bushings. Used in 2-2188, 2-2189 starters.

Tecumseh



68-7803 Brush Kit

For: Tecumseh Small Engine Starters
Dim: 7.5mm T x 9.5mm W x 14.5mm L x 52mm L
Note: Includes brushes and springs



68-7804 Brush Kit

For: Tecumseh Small Engine Starters
Unit Nos: Tecumseh 33600, 33605, 33606, 33607, 33835, 34421, 35763, 35765
Dim: Fld. Brush: 6.5mm T x 9.5mm W x 17mm L x 162mm L
Grd. Brush: 6.5mm T x 9.5mm W x 17mm L x 38mm L
Note: Includes brushes and springs. Used in 69-701, 69-702 brush holder assys.



52-701 C.E. Frame

For: Briggs & Stratton Small Engine Starters
Replaces: Briggs & Stratton 497607, 691286



82-6251 C.E. Frame

For: Prestolite Marine Power Tilt Motors
Used On: OMC
Replaces: Prestolite 40-541, ETK-1102, ETK-1102SS
Unit Nos: Prestolite 40-259, ETK-4102
Dim: Mtg. Hole Size: 1/4"

SOLENOIDS & SWITCHES



67-705 Solenoid

12 Volt, 4-Terminal

Used On: Ariens, Grasshopper, Gravely Lawn Equipment

FRAMES - C.E.



52-700 C.E. Frame

For: Briggs & Stratton Small Engine Starters
Replaces: Briggs & Stratton 395537
Unit Nos: Briggs & Stratton 394805, 394808, 394943, 396306, 490420, 491308, 491766, 496760, 497453, 497585, 690658
Note: Used on starters with 3-5/8 field case length.
Components:
68-7806 Brush Kit



67-706
Solenoid
12 Volt, 3-Terminal

Used On: Toro
Dim:
2) 1/4-20 Terminals
1) 8-32 Terminals



67-707
Solenoid
12 Volt, 4-Terminal

Used On: Kohler
Dim:
2) 5/16-24 Terminals
2) 10-32 Terminals



67-708
(Ref# 7-1070)
Solenoid
12 Volt, 3-Terminal

Used On: Lawnmower, Snowblower and Outdoor Power Equipment from Ariens, Bolens, MTD, Murray, Snapper, Toro Wheelhorse
Replaces: Ariens 3057700, Bolens 1751569, Mtd 725-0530; Murray 21261, 24285; Snapper 1-8817, Toro Wheel Horse 11674
(cont'd)

(cont'd.)

Dim:
2) 5/16-24 Terminals
1) 10-32 Terminal w/ Male Spade Terminal
Note: Flat mounting bracket. Mounting holes: 9/32 x 13/32, 2-13/64 on centers
Features:
• Copper contact terminals
• Insulated base w/ phenolic housing



67-709
(Ref# 7-1069)
Solenoid

12 Volt, 4-Terminal

Used On: Lawnmower, Snowblower and Outdoor Power Equipment from Ariens, Bolens, Gilson, Grasshopper, Gravely, Lawnboy, Simplicity, Snapper, Toro Wheelhorse

Replaces: Ariens 35510; Bolens 1752137, 1753539; Grasshopper 18425, Lawn Boy 740207, Snapper 1-8604; Toro 28-4210, 47-1910

Dim:
2) 1/4-20 Terminals
2) 10-32 Terminals w/ Male Spade Terminals
Note: Flat mounting bracket. Mounting holes: 9/32 x 13/32, 2-13/64 on centers
Features:
• Copper contact terminals
• Grounded base w/ phenolic housing



67-716
Solenoid
12 Volt, 3-Terminal

Used On: AMF Small Engines
Dim:
2) 1/4-20 Terminals
1) 8-32 Terminals

STARTER DRIVES

Briggs & Stratton



54-7003
Starter Drive
16-Teeth, CCW

For: Briggs & Stratton Small Engine Starters
Replaces: Briggs & Stratton 396865, 490421, 495878
Unit Nos: Briggs & Stratton 393017, 393851, 394805, 394808, 394943, 396306, 396505, 399169, 399928, 490420, 491776, 494198, 494990, 495100, 497595A
Dim: 40.5mm Gear OD, 11.5mm L Gear
Note: Includes gear and clutch. Same as 54-7004 except 54-7003 includes clutch.
Components:
54-7200 Gear



54-7004
Starter Drive
16-Teeth, CCW

For: Briggs & Stratton Small Engine Starters
Replaces: Briggs & Stratton 393254, 490467, 495877
Unit Nos: Briggs & Stratton 391178, 393017, 394805, 394807, 394808, 394943, 396306, 396505, 399169, 399928, 490420, 491776, 494198, 494990, 495100, 497595A
Dim: 40.5mm Gear OD, 11.5mm L Gear
Note: Same as 54-7003 except 54-7003 includes clutch.
Components:
54-7200 Gear

SMALL ENGINE - COMPONENTS

STARTER DRIVES

Briggs & Stratton (cont'd.)



54-7005
Starter Drive
24-Teeth, CCW

For: Briggs & Stratton Small Engine Starters
Replaces: Briggs & Stratton 490768, 499308
Unit Nos: Briggs & Stratton 491308, 497453, 690658
Dim: 58.5mm Gear OD, 11.5mm L Gear
Note: Includes gear and clutch.



54-7006
Starter Drive
16-Teeth, CCW

For: Briggs & Stratton Small Engine Starters
Replaces: Briggs & Stratton 491836
Dim: 40.5mm Gear OD, 19.5mm L Gear
Note: Includes gear and clutch.



54-7007
Starter Drive
16-Teeth, CCW

For: Briggs & Stratton Small Engine Starters
Replaces: Briggs & Stratton 497606
Unit Nos: Briggs & Stratton 396306, 497401, 497461, 497595, 497596, 498148, 499521, 691262, 693054
Dim: 40.5mm Gear OD, 11.5mm L Gear
Note: Includes gear and clutch.
Components:
54-7200 Gear



54-7008
Starter Drive
16-Teeth, CCW

For: Briggs & Stratton Small Engine Starters
Replaces: Briggs & Stratton 391461
Unit Nos: Briggs & Stratton 390838, 391177, 391178, 392749, 393499, 393851, 394805, 394807, 394943, 396306, 396505
Dim: 40.5mm Gear OD, 11.5mm L Gear
Note: Includes gear and clutch.
Components:
54-7200 Gear



54-7200
Drive Gear
16-Teeth, CCW

For: Briggs & Stratton Small Engine Starters
Replaces: Briggs & Stratton 280104
Dim: 40.5mm Gear OD, 11.5mm L

Tecumseh



54-7009
Pinion Gear
16-Teeth, CCW

For: Tecumseh Small Engine Starters
Replaces: Tecumseh 33432
Unit Nos: Tecumseh 33328, A, B, C; 33329, A, B, C; 33518B, 33519B, 33605, 33606, 33763, 33765, 35053, 35096; 35763, A; 35765, A; 36680
Dim: 10.2mm ID, 32.6mm Gear OD, 32mm L
Note: Steel gear w/ rubber skirt.
Used in 2-2194 starter



54-7010
Pinion Gear
11-Teeth, CCW

For: Tecumseh Small Engine Starters
Replaces: Tecumseh 33844
Unit Nos: Tecumseh 33835
Dim: 10.2mm ID, 32mm Gear OD, 32mm L
Note: Steel gear w/ rubber skirt.
Used in 2-2193 starter

United Technologies



4-1089

(Ref# 54-7001)

Starter Drive

9-T, CCW, 6-SPL

For: United Technologies Starters

Used On: Kohler 17-20hp Small Engines

Replaces: United Technologies 1820040DV30SM, 5980420DV30SM

Unit Nos: United Technologies 1819140MO30SM, 2134940MO30SM, 5213240MO30SM

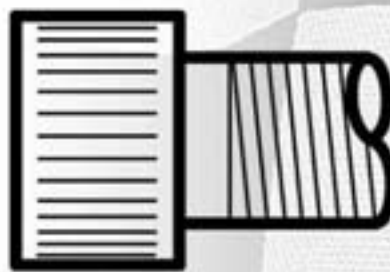
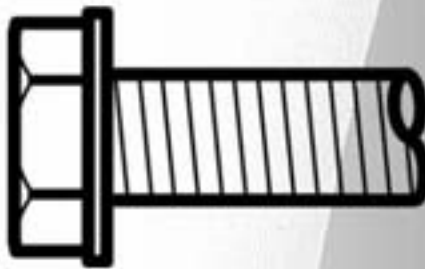
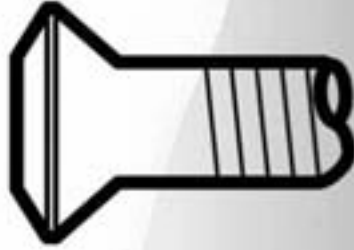
Dim: 11.9mm ID, 29mm Gear OD, 37mm L

Note: Used in 2-2245, 2-2246 starters.

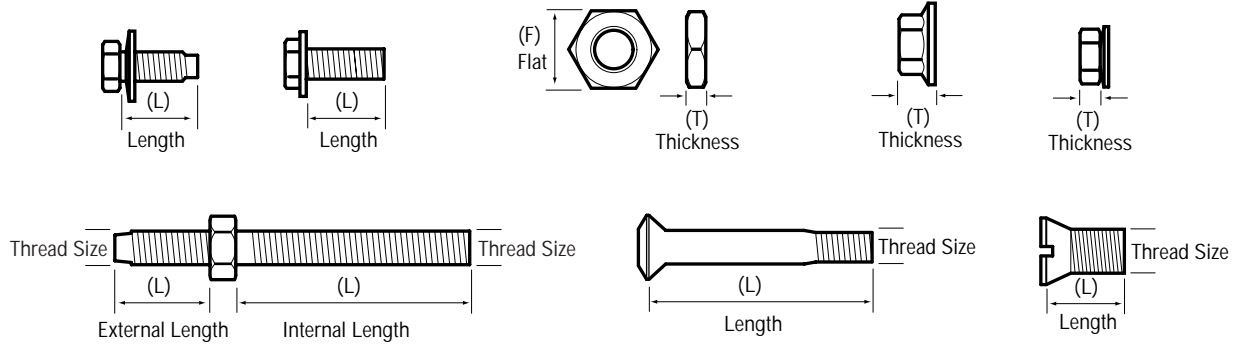
Features:

- Accurate

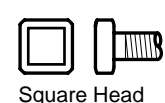
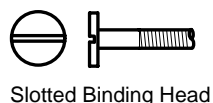
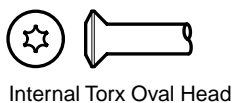
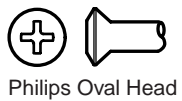
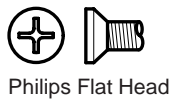
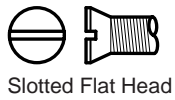
HARDWARE DIMENSIONS



DIMENSION REFERENCES



HEAD TYPES



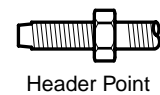
THREAD-CUTTING TYPES



THREAD-FORMING TYPES



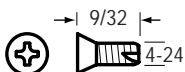
POINT TYPES



HARDWARE (84-, 85-)

SCREWS - STANDARD

4-24



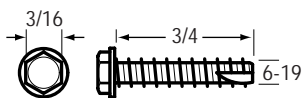
84-1110
Screw

Dim: 4-24 x 9/32 L

Features:

- Phillips flat head
- Thread -cutting
- Zinc-plated

6-19

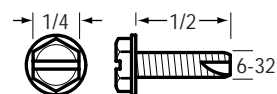


84-1100
Screw

Dim: 6-19 x 3/4 L

Features:

- Hex washer head, 3/16 drive
- Type HL, thread- cutting
- Black oxide finish



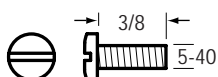
84-1103
Screw

Dim: 6-32 x 1/2 L

Features:

- Slotted hex washer head, 1/4 drive
- Thread- cutting
- Zinc-plated

5-40



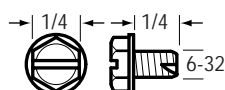
84-1106
Screw

Dim: 5-40 x 3/8 L

Features:

- Slotted pan head
- Zinc-plated

6-32

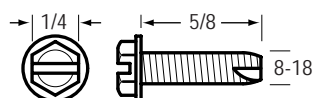


84-1105
Screw

Dim: 6-32 x 1/4 L

Features:

- Slotted hex washer head, 1/4 drive
- Thread -cutting
- Zinc-plated

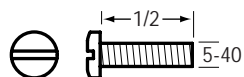


84-1201
Screw

Dim: 8-18 x 5/8 L

Features:

- Slotted hex washer head, 1/4 drive
- Thread -cutting
- Zinc-plated

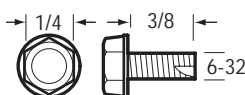


84-1104
Screw

Dim: 5-40 x 1/2 L

Features:

- Slotted pan head
- Zinc-plated

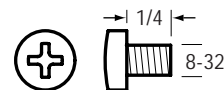


84-1102
Screw

Dim: 6-32 x 3/8 L

Features:

- Hex washer head, 1/4 drive
- Thread -cutting
- Zinc-plated

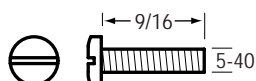


84-1216
Screw

Dim: 8-32 x 1/4 L

Features:

- Phillips pan head
- Zinc-plated

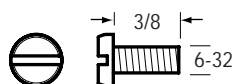


84-1107
Screw

Dim: 5-40 x 9/16 L

Features:

- Slotted pan head
- Zinc-plated

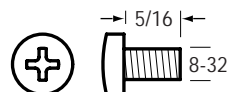


84-1108
Screw

Dim: 6-32 x 3/8 L

Features:

- Slotted pan head
- Zinc-plated

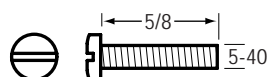


84-1221
Screw

Dim: 8-32 x 5/16 L

Features:

- Phillips pan head
- Zinc-plated

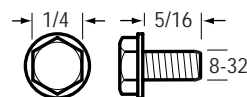


84-1109
Screw

Dim: 5-40 x 5/8 L

Features:

- Slotted pan head
- Zinc-plated

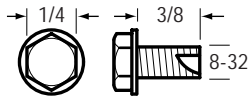


84-1234
Screw

Dim: 8-32 x 5/16 L

Features:

- Hex washer head, 1/4 drive
- Thread-forming
- Zinc-plated

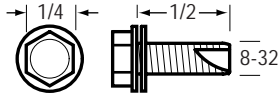


84-1218
Screw

Dim: 8-32 x 3/8 L

Features:

- Hex washer head, 1/4 drive
- Thread-cutting
- Zinc-plated

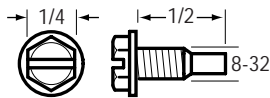


84-1207
Screw

Dim: 8-32 x 1/2 L

Features:

- Hex washer head, 1/4 drive
- Attached internal tooth lock washer
- Thread-cutting
- Zinc-yellow plated

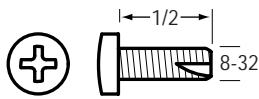


84-1214
Screw

Dim: 8-32 x 1/2 L

Features:

- Slotted hex washer head, 1/4 drive
- Dog point
- Zinc-plated

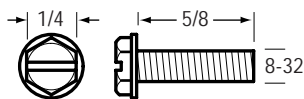


84-1215
Screw

Dim: 8-32 x 1/2 L

Features:

- Phillips pan head
- Thread-cutting
- Zinc-plated

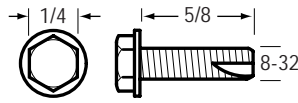


84-1209
Screw

Dim: 8-32 x 5/8 L

Features:

- Slotted hex washer head, 1/4 drive
- Zinc-plated

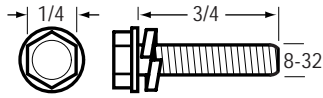


84-1222
Screw

Dim: 8-32 x 5/8 L

Features:

- Hex washer head, 1/4 drive
- Thread-cutting
- Zinc-plated

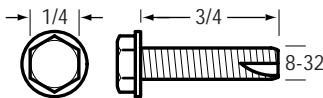


84-1208
Screw

Dim: 8-32 x 3/4 L

Features:

- Hex washer head, 1/4 drive
- Attached split lock washer
- Thread-forming
- Zinc-yellow plated

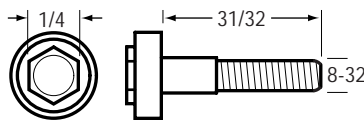


84-1217
Screw

Dim: 8-32 x 3/4 L

Features:

- Hex washer head, 1/4 drive
- Thread-cutting
- Zinc-plated

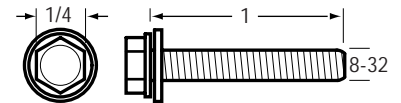


84-1226
Screw w/ Insulator

Dim: 8-32 x 31/32 L

Features:

- Hex washer head, 1/4 drive
- Attached conical washer
- Thread-forming
- Zinc-yellow plated

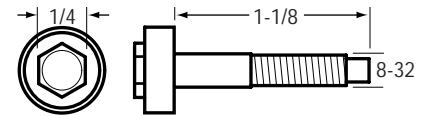


84-1225
Screw

Dim: 8-32 x 1 L

Features:

- Hex washer head, 1/4 drive
- Attached conical washer
- Thread-forming
- Zinc-yellow plated



84-1202
Screw w/ Insulator

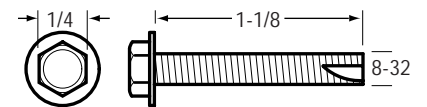
Dim: 8-32 x 1-1/8 L

Components:

42-1303 Insulator

Features:

- Hex washer head, 1/4 drive
- Dog point
- Zinc-yellow plated

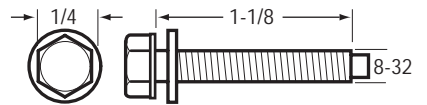


84-1203
Screw

Dim: 8-32 x 1-1/8 L

Features:

- Hex washer head, 1/4 drive
- Thread-cutting
- Zinc-plated



84-1212
Screw

Dim: 8-32 x 1-1/8 L

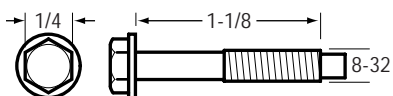
Features:

- Hex washer head, 1/4 drive
- Attached conical washer
- Dog point
- Zinc-yellow plated

HARDWARE (84-, 85-)

SCREWS - STANDARD

8-32 (cont'd.)

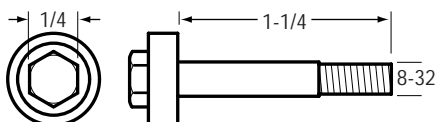


84-1213
Screw

Dim: 8-32 x 1-1/8 L

Features:

- Hex washer head, 1/4 drive
- Dog point
- Zinc-yellow plated

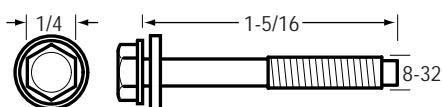


84-1205
Screw w/ Insulator

Dim: 8-32 x 1-1/4 L

Features:

- Hex washer head, 1/4 drive
- Attached conical washer
- Zinc-plated

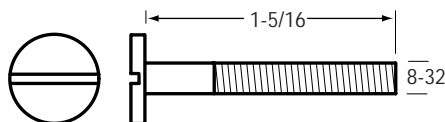


84-1204
Screw

Dim: 8-32 x 1-5/16 L

Features:

- Hex washer head, 1/4 drive
- Attached conical washer
- Thread-forming
- Dog point
- Zinc-yellow plated

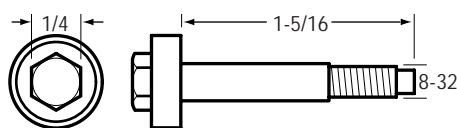


84-1206
Screw

Dim: 8-32 x 1-5/16 L

Features:

- Slotted binding head
- Zinc-plated



84-1239
Screw w/ Insulator

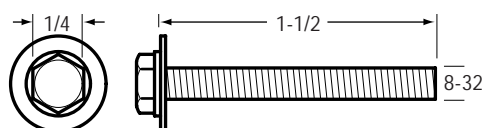
Dim: 8-32 x 1-5/16 L

Components:

84-1204 Screw

Features:

- Hex washer head, 1/4 drive
- Attached conical washer
- Thread-forming
- Dog point
- Zinc-plated

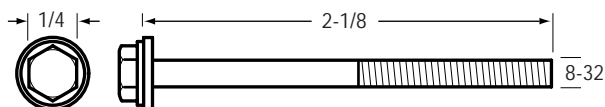


84-1233
Screw

Dim: 8-32 x 1-1/2 L

Features:

- Hex washer head, 1/4 drive
- Attached flat washer
- Zinc-plated



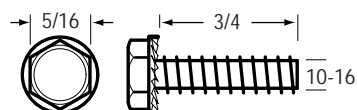
84-1237
Screw

Dim: 8-32 x 2-1/8 L

Features:

- Hex washer head, 1/4 drive
- Attached conical washer
- Zinc-yellow plated

10-16



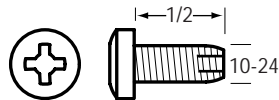
84-1310
Screw

Dim: 10-16 x 3/4 L

Features:

- Hex washer head, 5/16 drive
- Serrated flange
- Zinc-plated

10-24

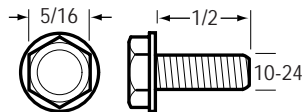


84-1316
Screw

Dim: 10-24 x 1/2 L

Features:

- Phillips pan head
- Thread-cutting
- Zinc-plated

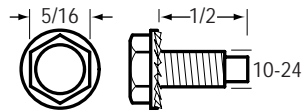


84-1317
Screw

Dim: 10-24 x 1/2 L

Features:

- Hex washer head, 5/16 drive
- Thread-forming
- Zinc-plated

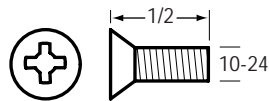


84-1319
Screw

Dim: 10-24 x 1/2 L

Features:

- Hex washer head, 5/16 drive
- Serrated flange
- Dog point
- Zinc-plated

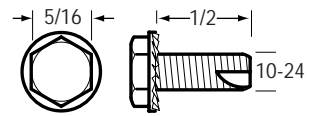


84-1351
Screw

Dim: 10-24 x 1/2 L

Features:

- Phillips flat head
- Zinc-yellow plated

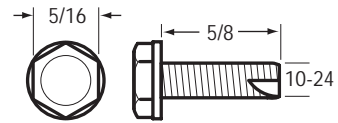


84-1358
Screw

Dim: 10-24 x 1/2 L

Features:

- Hex Washer Head, 5/16 drive
- Serrated Flange
- Thread-Cutting
- Zinc-plated

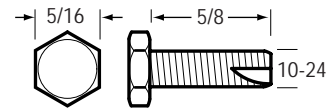


84-1323
Screw

Dim: 10-24 x 5/8 L

Features:

- Hex washer head, 5/16 drive
- Thread-cutting
- Zinc-plated

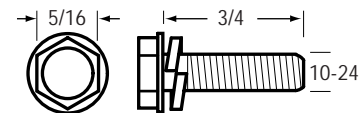


84-1366
Screw

Dim: 10-24 x 5/8 L

Features:

- Hex head, 5/16 drive
- Thread-cutting
- Plain finish



84-1313
Screw

Dim: 10-24 x 3/4 L

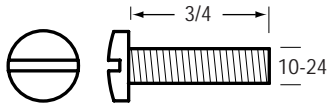
Features:

- Hex washer head, 5/16 drive
- Attached split lock washer
- Thread-forming
- Zinc-yellow plated

HARDWARE (84-, 85-)

SCREWS - STANDARD

10-24 (cont'd.)

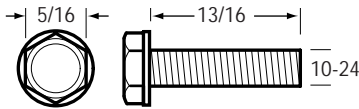


84-1318
Screw

Dim: 10-24 x 3/4 L

Features:

- Slotted pan head
- Zinc-plated

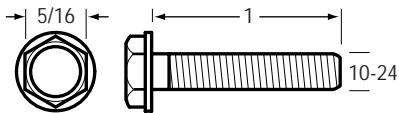


84-1339
Screw

Dim: 10-24 x 13/16 L

Features:

- Hex washer head, 5/16 drive
- Zinc-plated

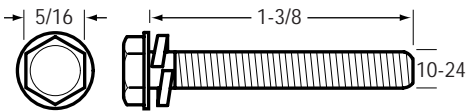


84-1324
Screw

Dim: 10-24 x 1 L

Features:

- Hex washer head, 5/16 drive
- Thread-forming
- Zinc-plated

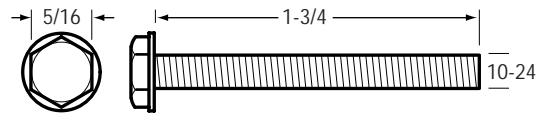


84-1312
Screw

Dim: 10-24 x 1-3/8 L

Features:

- Hex washer head, 5/16 drive
- Attached split lock washer
- Thread-forming
- Zinc-yellow plated



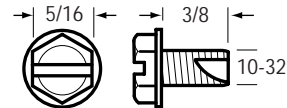
84-1315
Screw

Dim: 10-24 x 1-3/4 L

Features:

- Hex washer head, 5/16 drive
- Zinc-plated

10-32

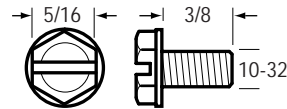


84-1325
Screw

Dim: 10-32 x 3/8 L

Features:

- Slotted hex washer head, 5/16 drive
- Thread-cutting
- Zinc-plated

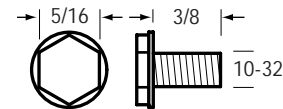


84-1331
Screw

Dim: 10-32 x 3/8 L

Features:

- Slotted hex washer head, 5/16 drive
- Zinc-plated

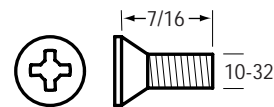


84-1332
Screw

Dim: 10-32 x 3/8 L

Features:

- Hex washer head, 5/16 drive
- Copper

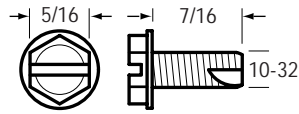


84-1328
Screw

Dim: 10-32 x 7/16 L

Features:

- Phillips flat head
- Zinc-plated

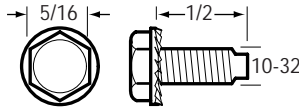


84-1359
Screw

Dim: 10-32 x 7/16 L

Features:

- Slotted Hex Washer Head, 5/16 drive
- Thread-Cutting
- Zinc-plated

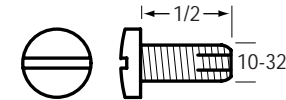


84-1300
Screw

Dim: 10-32 x 1/2 L

Features:

- Hex washer head, 5/16 drive
- Serrated flange
- Dog point
- Zinc-plated

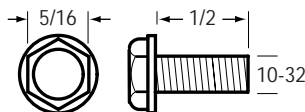


84-1338
Screw

Dim: 10-32 x 1/2 L

Features:

- Slotted pan head
- Thread-cutting
- Zinc-plated

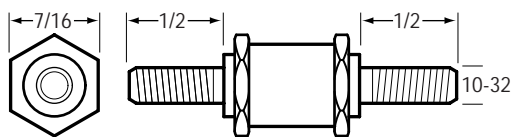


84-1362
Screw

Dim: 10-32 x 1/2 L

Features:

- Hex washer head, 5/16 drive
- Zinc-yellow plated

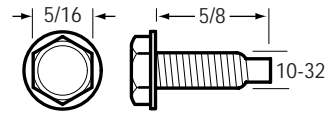


84-9301
Extended Bolt

Dim: 10-32 x 1/2 Int.
10-32 x 1/2 Ext.

Features:

- Brass
- w/ insulator

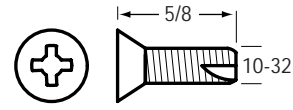


84-1327
Screw

Dim: 10-32 x 5/8 L

Features:

- Hex washer head, 5/16 drive
- Dog point
- Zinc-yellow plated

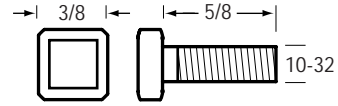


84-1335
Screw

Dim: 10-32 x 5/8 L

Features:

- Phillips flat head
- Thread-cutting
- Zinc-plated

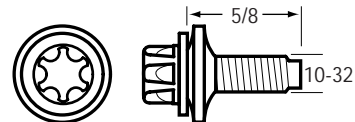


84-9300
Stud

Dim: 10-32 x 5/8 L

Features:

- Square head, 3/8 drive
- Zinc-plated

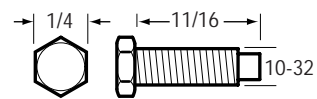


84-9303
Screw

Dim: 10-32 x 5/8 L

Features:

- External torx head, E8 drive
- Attached conical washer w/ seal
- Dog point
- Zinc-yellow plated



84-1353
Screw

Dim: 10-32 x 11/16 L

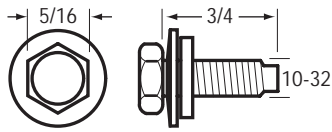
Features:

- Hex head, 1/4 drive
- Dog point
- Zinc-yellow plated

HARDWARE (84-, 85-)

SCREWS - STANDARD

10-32 (cont'd.)

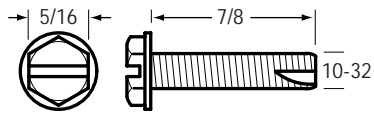


**84-9302
Screw**

Dim: 10-32 x 3/4 L

Features:

- Hex head, 5/16 drive
- Attached conical washer w/ seal
- Dog point
- Zinc-yellow plated

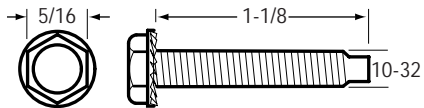


**84-1330
Screw**

Dim: 10-32 x 7/8 L

Features:

- Slotted hex washer head, 5/16 drive
- Thread-cutting
- Zinc-plated

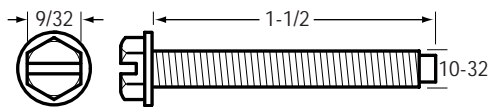


**84-1356
Screw**

Dim: 10-32 x 1-1/8 L

Features:

- Hex washer head, 5/16 drive
- Serrated flange
- Dog point
- Zinc-plated

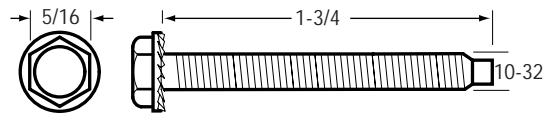


**84-1314
Screw**

Dim: 10-32 x 1-1/2 L

Features:

- Slotted hex washer head, 9/32 drive
- Dog point
- Zinc-plated

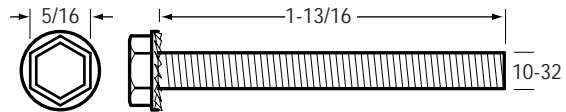


**84-1357
Screw**

Dim: 10-32 x 1-3/4 L

Features:

- Hex washer head, 5/16 drive
- Serrated flange
- Dog Point
- Zinc-plated



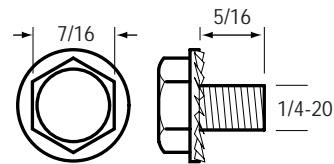
**84-1367
Screw**

Dim: 10-32 x 1-13/16 L

Features:

- Hex washer head, 5/16 drive
- Serrated flange
- Zinc-plated

1/4-20

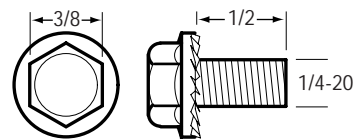


**84-1411
Screw**

Dim: 1/4-20 x 5/16 L

Features:

- Hex washer head, 7/16 drive
- Serrated flange
- Zinc-yellow plated

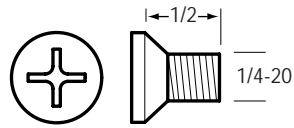


**84-1402
Screw**

Dim: 1/4-20 x 1/2 L

Features:

- Hex washer head, 3/8 drive
- Serrated flange
- Zinc-yellow plated

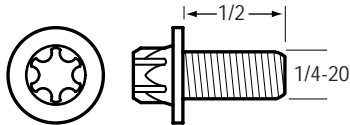


84-1427
Screw

Dim: 1/4-20 x 1/2 L

Features:

- Phillips flat head
- Zinc-plated

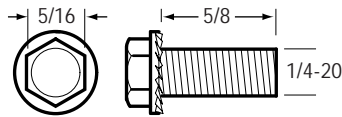


84-1434
Screw

Dim: 1/4-20 x 1/2 L

Features:

- External torx head, E8 drive
- Chamfered point
- Zinc-yellow plated

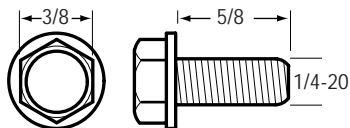


84-1410
Screw

Dim: 1/4-20 x 5/8 L

Features:

- Hex washer head, 5/16 drive
- Serrated flange
- Zinc-plated

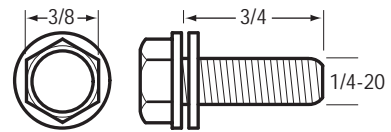


84-1409
Screw

Dim: 1/4-20 x 5/8 L

Features:

- Hex washer head, 3/8 drive
- Thread-forming
- Zinc-plated

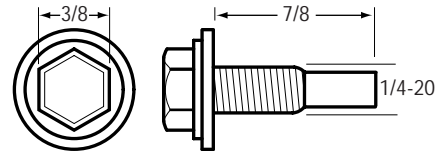


84-1409-1
Screw

Dim: 1/4-20 x 3/4 L

Features:

- Hex washer head, 3/8 drive
- Attached flat washer
- Plain finish

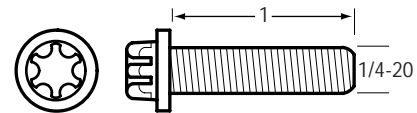


84-1418
Screw

Dim: 1/4-20 x 7/8 L

Features:

- Hex washer head, 3/8 drive
- Attached flat washer
- Dog point
- Black oxide finish

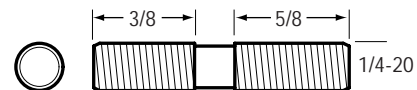


84-1441
Screw

Dim: 1/4-20 x 1 L

Features:

- External torx head, E8 drive
- Thread-forming
- Black oxide finish



84-9400
Stud

Dim: 1/4-20 x 3/8 L Int.
1/4-20 x 5/8 L Ext.

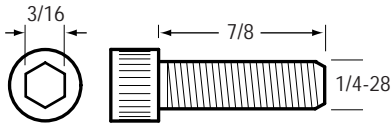
Features:

- Zinc-yellow plated

HARDWARE (84-, 85-)

SCREWS - STANDARD

1/4-28

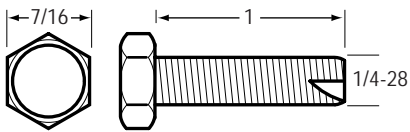


84-1420
Screw

Dim: 1/4-28 x 7/8 L

Features:

- Socket head, 3/16 drive
- Chamfered point
- Black oxide finish

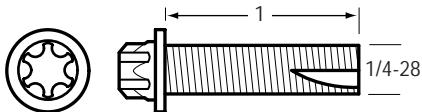


84-1419
Screw

Dim: 1/4-28 x 1 L

Features:

- Hex head, 7/16 drive
- Thread-cutting
- Zinc-yellow plated



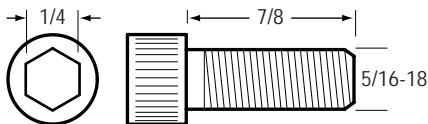
84-1433
Screw

Dim: 1/4-28 x 1 L

Features:

- External torx head, E8 drive
- Thread-cutting
- Black oxide finish

5/16-18

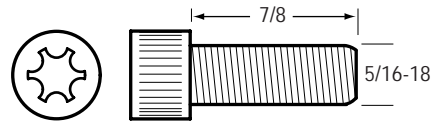


84-1425
Screw

Dim: 5/16-18 x 7/8 L

Features:

- Socket head, 1/4 drive
- Chamfered point
- Black oxide finish

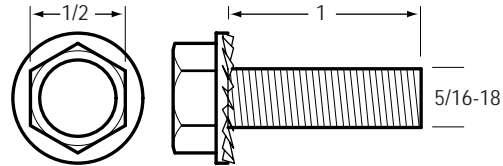


84-1435
Screw

Dim: 5/16-18 x 7/8 L

Features:

- Internal torx head, T45 drive
- Black oxide finish

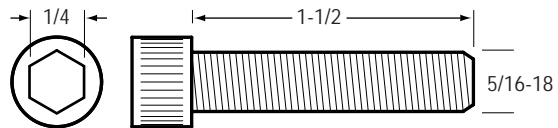


84-1408
Screw

Dim: 5/16-18 x 1 L

Features:

- Hex washer head, 1/2 drive
- Serrated flange
- Zinc-yellow plated

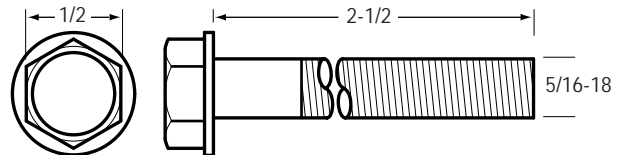


84-1421
Screw

Dim: 5/16-18 x 1-1/2 L

Features:

- Socket head, 1/4 drive
- Chamfered point
- Black oxide finish



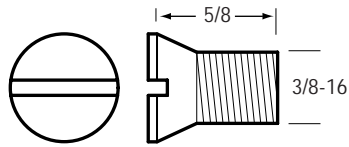
84-1423
Screw

Dim: 5/16-18 x 2-1/2 L

Features:

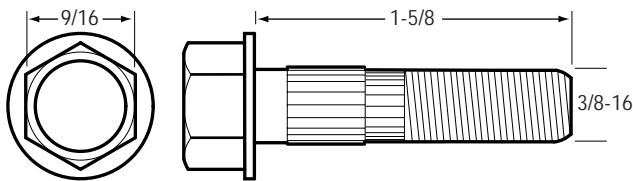
- Hex washer head, 1/2 drive
- Zinc-yellow plated

3/8-16



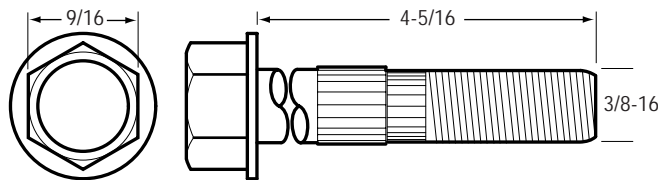
84-1500
Screw

Dim: 3/8-16 x 5/8 L
Features:
 • Slotted flat head
 • Black oxide finish



84-1506
Bolt

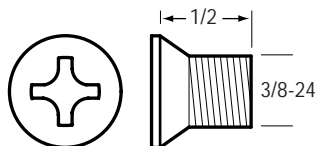
Dim: 3/8-16 x 1-5/8 L, w/ 10mm Shank
Features:
 • Hex washer head, 9/16 drive
 • Grade 8
 • Chamfered point
 • Zinc-plated



84-1507
Bolt

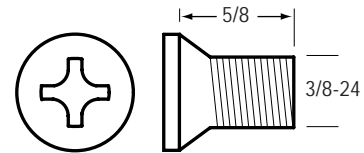
Dim: 3/8-16 x 4-5/16 L, w/ 10mm Shank
Features:
 • Hex washer head, 9/16 drive
 • Grade 8
 • Chamfered point
 • Zinc-plated

3/8-24



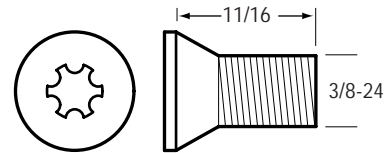
84-1501
Screw

Dim: 3/8-24 x 1/2 L
Features:
 • Phillips flat head
 • Plain finish



84-1502
Screw

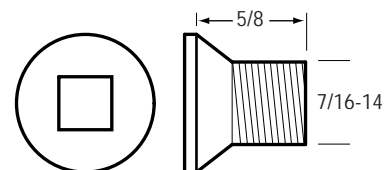
Dim: 3/8-24 x 5/8 L
Features:
 • Phillips flat head
 • Zinc-yellow plated



84-1504
Screw

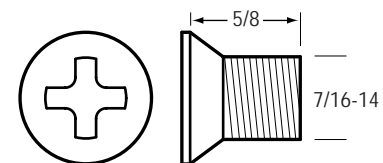
Dim: 3/8-24 x 11/16 L
Features:
 • Internal torx flat head, T40 drive
 • Zinc-yellow plated

7/16-14



84-1503
Screw

Dim: 7/16-14 x 5/8 L
Features:
 • Square drive flat head
 • Black oxide finish



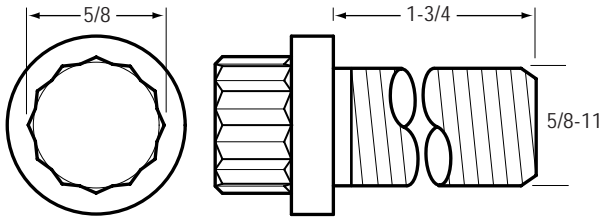
84-1503-1
Screw

Dim: 7/16-14 x 5/8 L
Features:
 • Phillips flat head
 • Zinc-yellow plated

HARDWARE (84-, 85-)

SCREWS - STANDARD

5/8-11

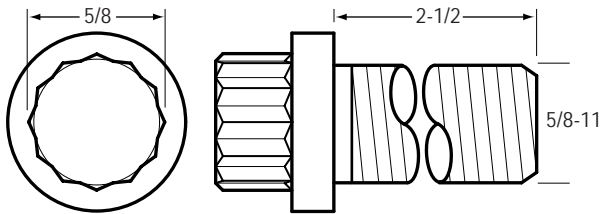


84-1600
Bolt

Dim: 5/8-11 x 1-3/4 L

Features:

- 12-point head, 5/8 drive
- Chamfered point
- Black oxide finish



84-1601
Bolt

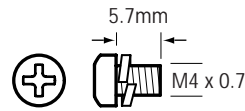
Dim: 5/8-11 x 2-1/2 L

Features:

- 12-point head, 5/8 drive
- Chamfered point
- Black oxide finish

SCREWS - METRIC

M4 x 0.7

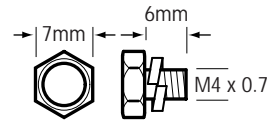


85-1205
Screw

Dim: M4 x 0.7 x 5.7mm L

Features:

- Phillips pan head
- Attached split lock washer
- Zinc-yellow plated

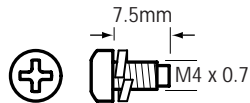


85-1213
Screw

Dim: M4 x 0.7 x 6mm L

Features:

- Hex head, 7mm drive
- Attached split lock washer
- Zinc-plated

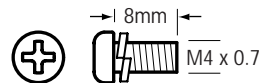


85-1205-1
Screw

Dim: M4 x 0.7 x 7.5mm L

Features:

- Phillips pan head
- Attached split lock washer
- Dog point
- Zinc-plated

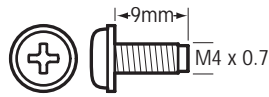


85-1209
Screw

Dim: M4 x 0.7 x 8mm L

Features:

- Phillips pan head
- Attached split lock washer
- Zinc-plated

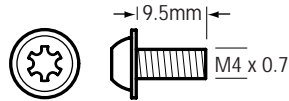


**85-1225
Screw**

Dim: M4 x 0.7 x 9mm L

Features:

- Phillips pan head
- Zinc-plated

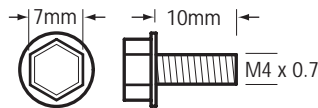


**85-1206
Screw**

Dim: M4 x 0.7 x 9.5mm L

Features:

- Internal torx head, T20 drive
- Thread-forming
- Zinc-plated

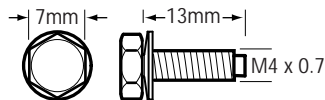


**85-1204
Screw**

Dim: M4 x 0.7 x 10mm L

Features:

- Hex washer head, 7mm drive
- Zinc-plated

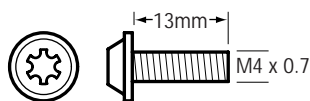


**85-1201
Screw**

Dim: M4 x 0.7 x 13mm L

Features:

- Hex head, 7mm drive
- Attached conical washer
- Dog Point
- Zinc-plated

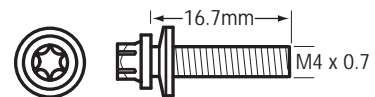


**85-1217
Screw**

Dim: M4 x 0.7 x 13mm L

Features:

- Internal torx head, T20 drive
- Thread-forming
- Zinc-black finish

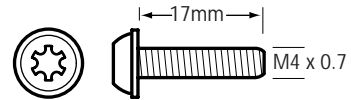


**85-1220
Screw**

Dim: M4 x 0.7 x 16.7mm L

Features:

- External torx head, E5 drive
- Attached conical washer
- Thread-forming

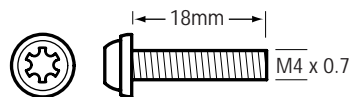


**85-1202
Screw**

Dim: M4 x 0.7 x 17mm L

Features:

- Internal torx head, T20 drive
- Thread-forming
- Zinc-plated

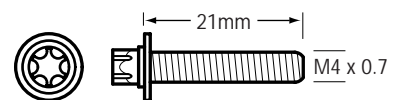


**85-1215
Screw**

Dim: M4 x 0.7 x 18 mm L

Features:

- Internal torx head, T20 drive
- Zinc-plated



**85-1200
Screw**

Dim: M4 x 0.7 x 21mm L

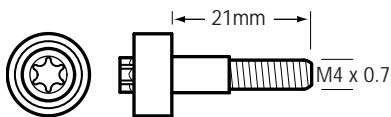
Features:

- External torx head, E5 drive
- Attached flat washer
- Thread-forming
- Zinc-plated

HARDWARE (84-, 85-)

SCREWS - METRIC

M4 x 0.7 (cont'd.)



85-1214

Screw w/ Insulator

Dim: M4 x 0.7 x 21mm L

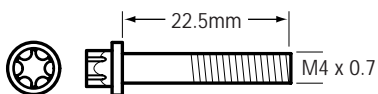
Components:

42-1316 Insulator

85-1200 Screw

Features:

- External torx head, E5 drive
- Attached conical washer
- Thread-forming
- Zinc-plated



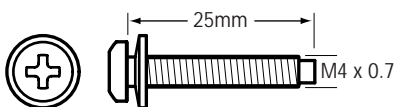
85-1216

Screw

Dim: M4 x 0.7 x 22.5mm L

Features:

- External torx head, E5 drive
- Thread-forming
- Zinc-yellow plated



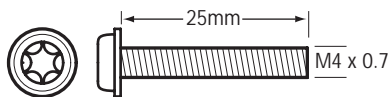
85-1210

Screw

Dim: M4 x 0.7 x 25mm L

Features:

- Phillips pan head
- Attached conical washer
- Dog point
- Zinc-plated



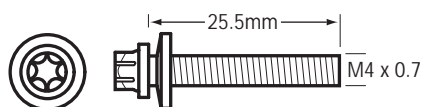
85-1223

Screw

Dim: M4 x 0.7 x 25mm L

Features:

- Internal torx head, T20 drive
- Thread-forming
- Zinc-plated



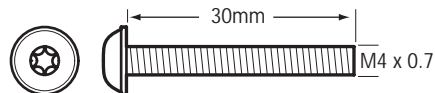
85-1219

Screw - Brush Holder, Rectifier

Dim: M4 x 0.7 x 25.5mm L

Features:

- External torx head, E5 drive
- Chamfer point
- Zinc-plated



85-1224

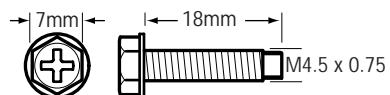
Screw

Dim: M4 x 0.7 x 30mm L

Features:

- Internal torx head, T20 drive
- Thread-forming
- Zinc-plated

M4.5 x 0.75



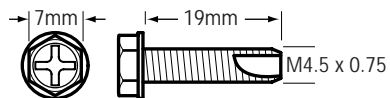
85-1208

Screw

Dim: M4.5 x 0.75 x 18mm L

Features:

- Phillips hex washer head, 7mm drive
- Dog point
- Zinc-yellow plated



85-1208-1

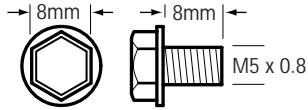
Screw

Dim: M4.5 x 0.75 x 19mm L

Features:

- Phillips hex washer head, 7mm drive
- Thread-cutting
- Zinc-plated

M5 x 0.8

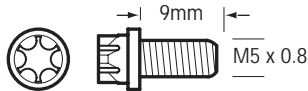


85-1316
Screw

Dim: M5 x 0.8 x 8mm L

Features:

- Hex washer head, 8mm drive
- Zinc-plated

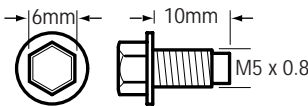


85-1365
Screw

Dim: M5 x 0.8 x 9mm L

Features:

- External torx head, E6 drive
- Zinc-yellow plated

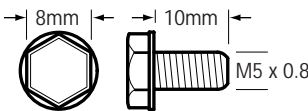


85-1320-1
Screw

Dim: M5 x 0.8 x 10mm L

Features:

- Hex washer head, 6mm drive
- Dog point
- Black oxide finish

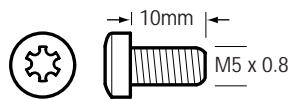


85-1326
Screw

Dim: M5 x 0.8 x 10mm L

Features:

- Hex washer head, 8mm drive
- Thread-forming
- Zinc-yellow plated

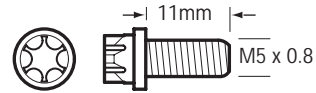


85-1346
Screw

Dim: M5 x 0.8 x 10mm L

Features:

- Internal torx head, T20 drive
- Thread-forming
- Zinc-yellow plated

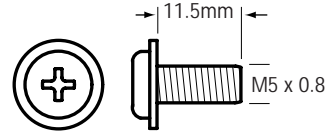


85-1340
Screw

Dim: M5 x 0.8 x 11mm L

Features:

- External torx head, E6 drive
- Thread-forming
- Zinc-yellow plated

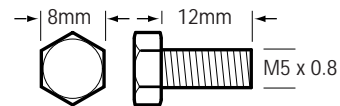


85-1347
Screw - Brush Holder

Dim: M5 x 0.8 x 11.5mm L

Features:

- Phillips pan head
- Chamfered point
- Zinc-yellow plated steel

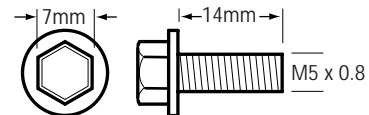


85-1309
Screw

Dim: M5 x 0.8 x 12mm L

Features:

- Hex head, 8mm drive
- Black oxide finish

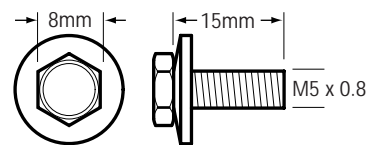


85-1332
Screw - Brush Holder

Dim: M5 x 0.8 x 14mm L

Features:

- Hex washer head, 7mm drive
- Zinc-yellow plated



85-1312
Screw

Dim: M5 x 0.8 x 15mm L

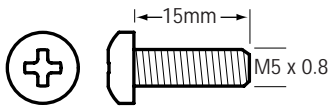
Features:

- Hex head, 8mm drive
- Attached conical washer
- Black oxide finish

HARDWARE (84-, 85-)

SCREWS - METRIC

M5 x 0.8 (cont'd.)

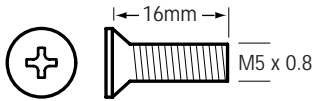


85-1349
Screw

Dim: M5 x 0.8 x 15mm L

Features:

- Phillips pan head
- Chamfered point
- Zinc-yellow plated

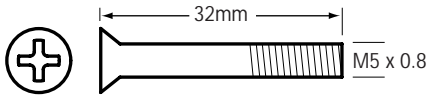


85-1310
Screw

Dim: M5 x 0.8 x 16mm L

Features:

- Phillips flat head
- Zinc-plated

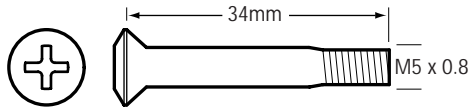


85-1334
Screw

Dim: M5 x 0.8 x 32mm L

Features:

- Phillips flat head
- Black oxide finish

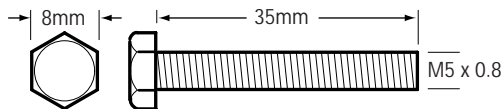


85-1313
Screw

Dim: M5 x 0.8 x 34mm L

Features:

- Phillips oval head
- Black oxide finish



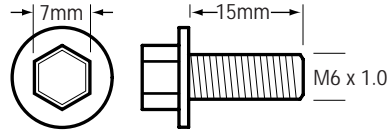
85-1308
Screw

Dim: M5 x 0.8 x 35mm L

Features:

- Hex head, 8mm drive
- Black oxide finish

M6 x 1.0

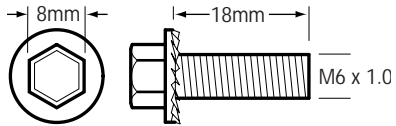


85-1337
Screw

Dim: M6 x 1.0 x 15mm L

Features:

- Hex washer head, 7mm drive
- Zinc-yellow plated

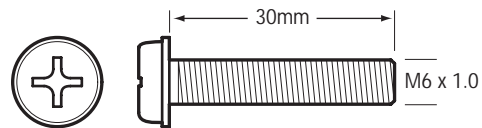


85-1331
Screw

Dim: M6 x 1.0 x 18mm L

Features:

- Hex washer head, 8mm drive
- Serrated flange
- Zinc-yellow plated

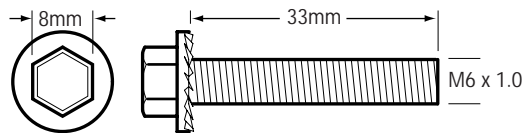


85-1368
Screw

Dim: M6 x 1.0 x 30mm L

Features:

- Phillips pan head
- Zinc plated

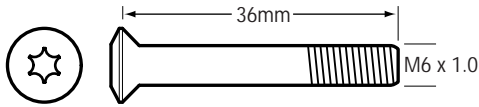


85-1329
Screw

Dim: M6 x 1.0 x 33mm L

Features:

- Hex washer head, 8mm drive
- Serrated flange
- Zinc-yellow plated

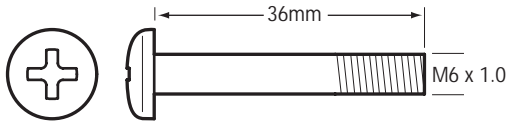


85-1319
Screw

Dim: M6 x 1.0 x 36mm L

Features:

- Internal torx oval head, T25 drive
- Chamfered point
- Zinc-plated

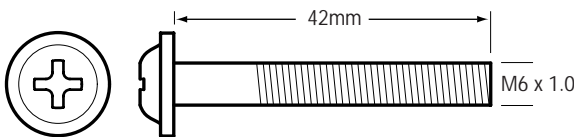


85-1359
Screw

Dim: M6 x 1.0 x 36mm L

Features:

- Phillips pan head
- Chamfered point
- Zinc-yellow plated steel

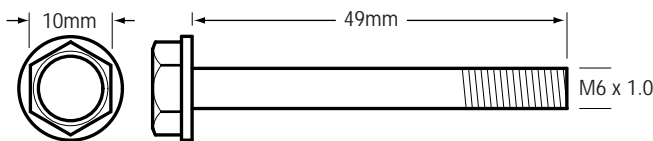


85-1336
Screw

Dim: M6 x 1.0 x 42mm L

Features:

- Phillips washer head
- Zinc-yellow plated

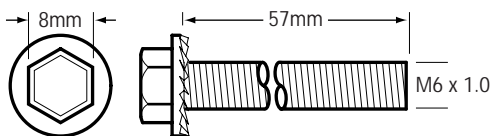


85-1327
Screw

Dim: M6 x 1.0 x 49mm L

Features:

- Hex washer head, 10mm drive
- Zinc-yellow plated



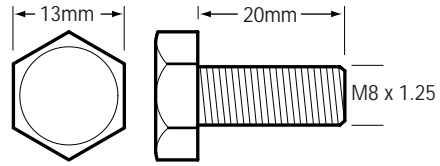
85-1330
Screw

Dim: M6 x 1.0 x 57mm L

Features:

- Hex washer head, 8mm drive
- Serrated flange
- Zinc-yellow plated

M8 x 1.25

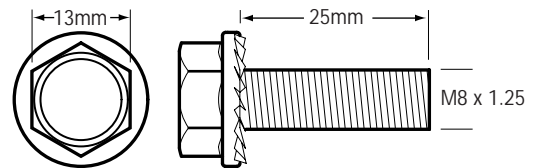


85-1402
Bolt

Dim: M8 x 1.25 x 20mm L

Features:

- Hex head, 13mm drive
- Black oxide finish



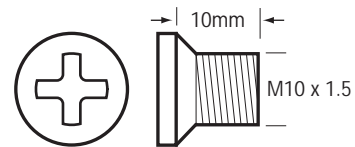
85-1401
Bolt

Dim: M8 x 1.25 x 25mm L

Features:

- Hex washer head, 13mm drive
- Serrated flange
- Zinc-plated

M10 x 1.5

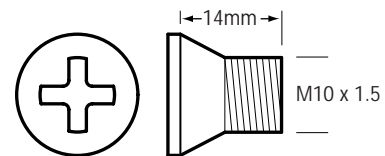


85-1506
Screw

Dim: M10 x 1.5 x 10mm L

Features:

- Phillips flat head
- Zinc-yellow plating



85-1504
Screw

Dim: M10 x 1.5 x 14mm L

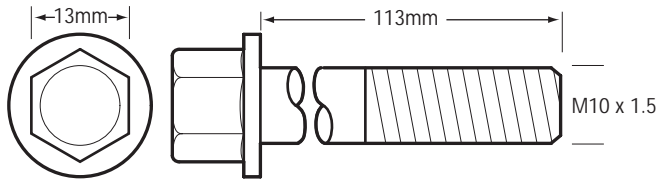
Features:

- Phillips flat head
- Zinc-yellow plated

HARDWARE (84-, 85-)

SCREWS - METRIC

M10 x 1.5 (cont'd.)



85-1507

Bolt - D.E. Mounting

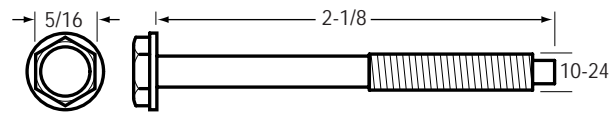
Dim: M10 x 1.5 x 113mm L

Features:

- Hex washer head, 13mm drive
- Chamfered point
- Zinc plated

THRU BOLTS - STANDARD

10-24

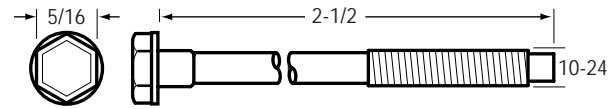


84-1307
Thru Bolt

Dim: 10-24 x 2-1/8 L

Features:

- Hex washer head, 5/16 drive
- Dog point
- Zinc-plated

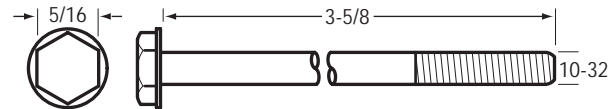


84-1304
Thru Bolt

Dim: 10-24 x 2-1/2 L

Features:

- Hex washer head, 5/16 drive
- Dog point
- Zinc-plated

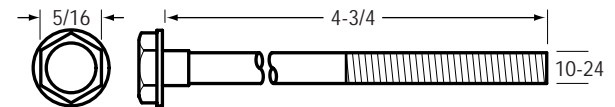


84-1305
Thru Bolt

Dim: 10-24 x 3-5/8 L

Features:

- Hex washer head, 5/16 drive
- Zinc-yellow plated

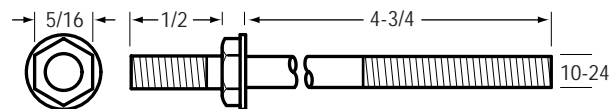


84-1340
Thru Bolt

Dim: 10-24 x 4-3/4 L

Features:

- Hex washer head, 5/16 drive
- Plain finish



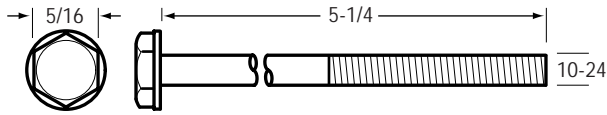
84-1341
Thru Bolt w/ Extension

Dim: 10-24 x 4-3/4 L

10-24 x 1/2 L Ext.

Features:

- Hex washer head, 5/16 drive
- Plain finish

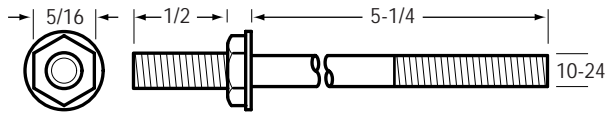


84-1342
Thru Bolt

Dim: 10-24 x 5-1/4 L

Features:

- Hex washer head, 5/16 drive
- Plain finish



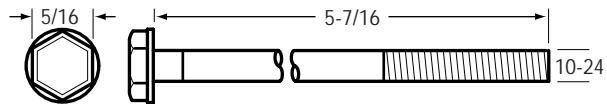
84-1343
Thru Bolt w/ Extension

Dim: 10-24 x 5-1/4 L

10-24 x 1/2 L Ext.

Features:

- Hex washer head, 5/16 drive
- Plain finish

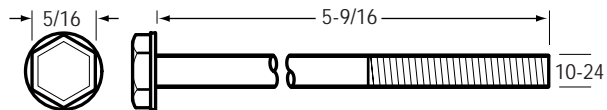


84-1350
Thru Bolt

Dim: 10-24 x 5-7/16 L

Features:

- Hex washer head, 5/16 drive
- Plain finish

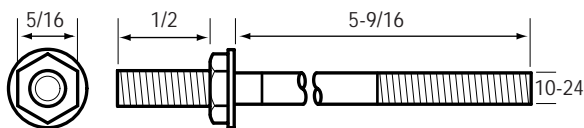


84-1344
Thru Bolt

Dim: 10-24 x 5-9/16 L

Features:

- Hex washer head, 5/16 drive
- Plain finish



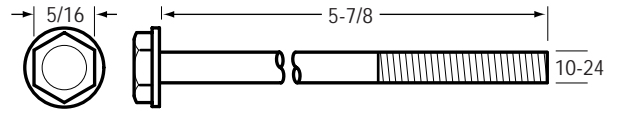
84-1349
Thru Bolt w/ Extension

Dim: 10-24 x 5-9/16 L

10-24 x 1/2 L Ext.

Features:

- Hex washer head, 5/16 drive
- Plain finish

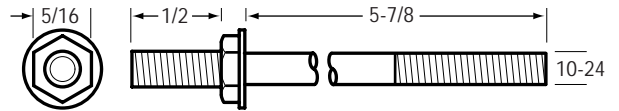


84-1345
Thru Bolt

Dim: 10-24 x 5-7/8 L

Features:

- Hex washer head, 5/16 drive
- Plain finish



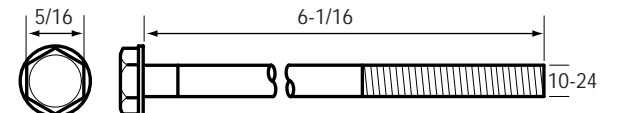
84-1346
Thru Bolt w/ Extension

Dim: 10-24 x 5-7/8 L

10-24 x 1/2 L Ext.

Features:

- Hex washer head, 5/16 drive
- Plain finish

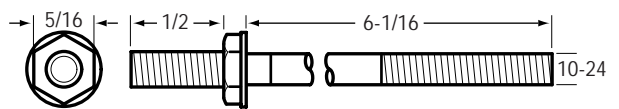


84-1347
Thru Bolt

Dim: 10-24 x 6-1/16 L

Features:

- Hex washer head, 5/16 drive
- Plain finish



84-1348
Thru Bolt w/ Extension

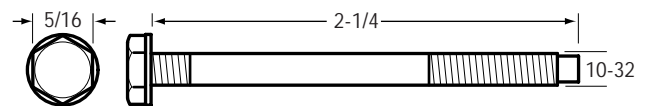
Dim: 10-24 x 6-1/16 L

10-24 x 1/2 L Ext.

Features:

- Hex washer head, 5/16 drive
- Plain finish

10-32



84-1352
Thru Bolt

Dim: 10-32 x 2-1/4 L

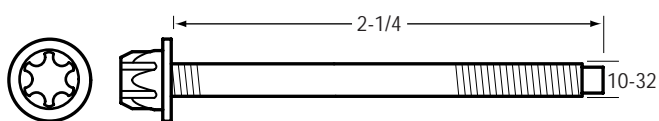
Features:

- Hex washer head, 5/16 drive
- Dog point
- Zinc-yellow plated

HARDWARE (84-, 85-)

THRU BOLTS - STANDARD

10-32 (cont'd.)

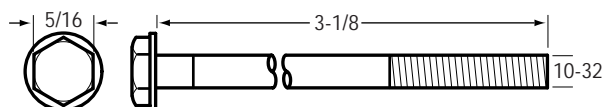


84-1361
Thru Bolt

Dim: 10-32 x 2-1/4 L

Features:

- External torx head, E8 drive
- Dog point
- Zinc-yellow plated

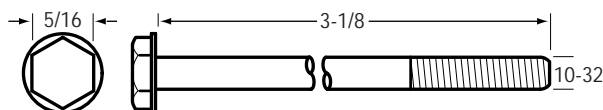


84-1301
Thru Bolt

Dim: 10-32 x 3-1/8 L

Features:

- Hex washer head, 5/16 drive
- Zinc-yellow plated

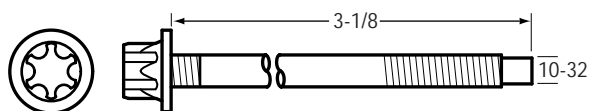


84-1308
Thru Bolt

Dim: 10-32 x 3-1/8 L

Features:

- Hex Washer Head, 5/16 drive
- Chamfered point
- Zinc-plated

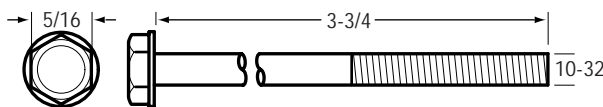


84-1360
Thru Bolt

Dim: 10-32 x 3-1/8 L

Features:

- External torx head, E8 drive
- Dog point
- Zinc-yellow plated



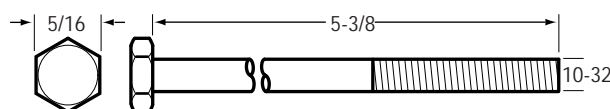
84-1303
Thru Bolt

Dim: 10-32 x 3-3/4 L

Note: Extra long thru bolts for salvaging stripped Chrysler Round Back, Square Back S.R.E. frames. Used with 84-2307 Lock Nut.

Features:

- Hex washer head, 5/16 drive
- Zinc-plated



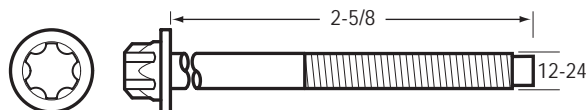
84-1333
Thru Bolt

Dim: 10-32 x 5-3/8 L

Features:

- Hex head, 5/16 drive
- Zinc-yellow plated

12-24



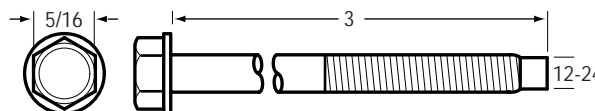
84-1371
Thru Bolt

Dim: 12-24 x 2-5/8 L

Note: Oversized replacement for salvaging Delco CS130 D.E. frames with stripped-out thru-bolt holes. Simply threads into place no drilling required.

Features:

- External torx head, E8 drive
- Thread-forming
- Dog point
- Zinc-yellow plated



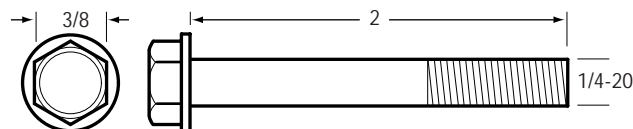
84-1309
Thru Bolt

Dim: 12-24 x 3 L

Features:

- Hex washer head, 5/16 drive
- Dog point
- Black oxide finish

1/4-20

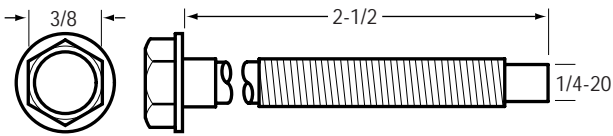


84-1406
Thru Bolt

Dim: 1/4-20 x 2 L

Features:

- Hex washer head, 3/8 drive
- Zinc-plated

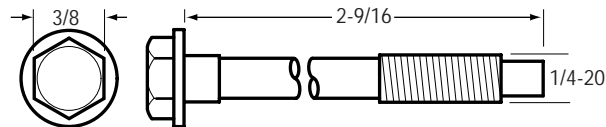


84-1407
Thru Bolt

Dim: 1/4-20 x 2-1/2 L

Features:

- Hex washer head, 3/8 drive
- Dog point
- Zinc-plated

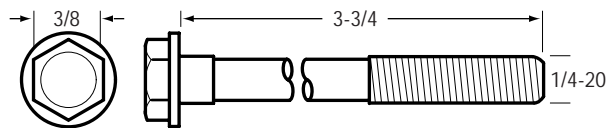


84-1443
Thru Bolt

Dim: 1/4-20 x 2-9/16 L

Features:

- Hex washer head, 3/8 drive
- Dog point
- Zinc-plated

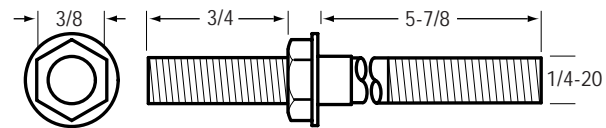


84-1444
Thru Bolt

Dim: 1/4-20 x 3-3/4 L

Features:

- Hex washer head, 3/8 drive
- Chamfered point
- Zinc-yellow plated



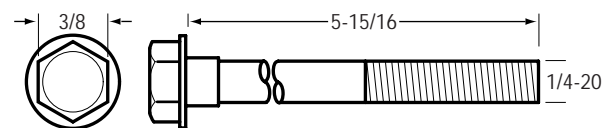
84-1414
Thru Bolt w/ Extension

Dim: 1/4-20 x 5-7/8 L

1/4-20 x 3/4 L Ext.

Features:

- Hex washer head, 3/8 drive
- Plain finish

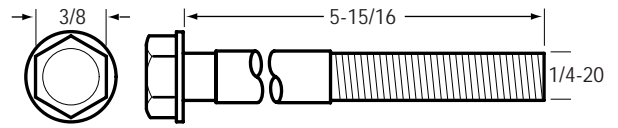


84-1415
Thru Bolt

Dim: 1/4-20 x 5-15/16 L

Features:

- Hex washer head, 3/8 drive
- Plain finish



84-1432
Thru Bolt

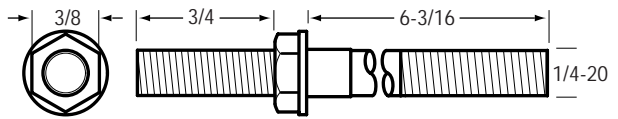
Dim: 1/4-20 x 5-15/16 L

Components:

84-1415 Thru Bolt

Features:

- Hex washer head, 3/8 drive
- Plain finish
- w/ form-fitted insulating tubing



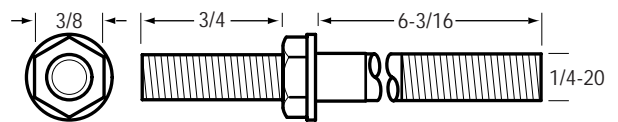
84-1404
Thru Bolt w/ Extension

Dim: 1/4-20 x 6-3/16 L

1/4-20 x 3/4 L Ext.

Features:

- Hex washer head, 3/8 drive
- Plain finish



84-1431
Thru Bolt w/ Extension

Dim: 1/4-20 x 6-3/16 L

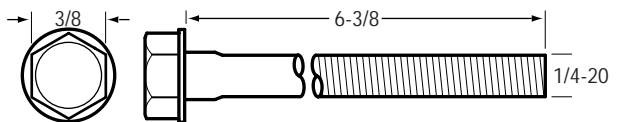
1/4-20 x 3/4 L Ext.

Components:

84-1404 Thru Bolt

Features:

- Hex washer head, 3/8 drive
- Plain finish
- w/ form-fitted insulating tubing



84-1403
Thru Bolt

Dim: 1/4-20 x 6-3/8 L

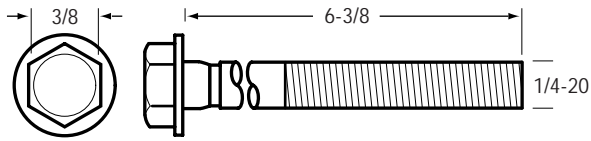
Features:

- Hex washer head, 3/8 drive
- Zinc-yellow plated

HARDWARE (84-, 85-)

THRU BOLTS - STANDARD

1/4-20 (cont'd.)



84-1430
Thru Bolt

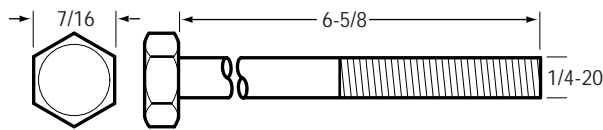
Dim: 1/4-20 x 6-3/8 L

Components:

84-1403 Thru Bolt

Features:

- Hex washer head, 3/8 drive
- Plain finish
- w/ form-fitted insulating tubing

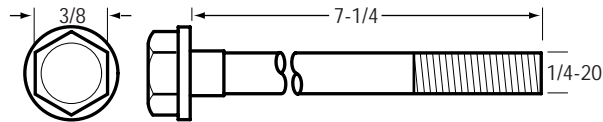


84-1416
Thru Bolt

Dim: 1/4-20 x 6-5/8 L

Features:

- Hex head, 7/16 drive
- Plain Finish

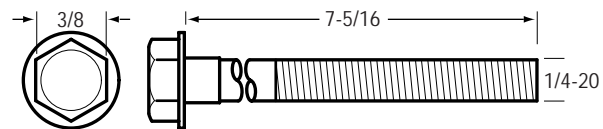


84-1417
Thru Bolt

Dim: 1/4-20 x 7-1/4 L

Features:

- Hex washer head, 3/8 drive
- Plain finish

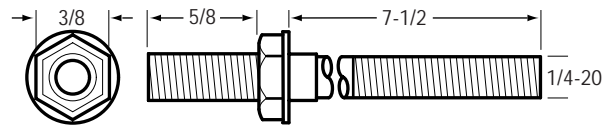


84-1437
Thru Bolt

Dim: 1/4-20 x 7-5/16 L

Features:

- Hex washer head, 3/8 drive
- Plain finish



84-1438

Thru Bolt w/ Extension

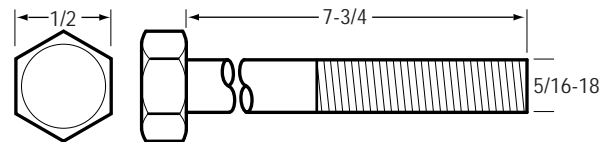
Dim: 1/4-20 x 7-1/2 L

1/4-20 x 5/8 L Ext.

Features:

- Hex washer head, 3/8 drive
- Plain finish

5/16-18

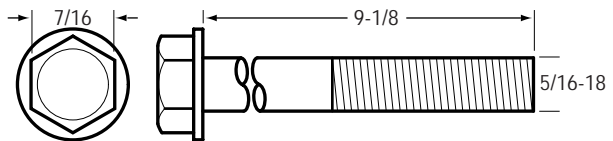


84-1424
Thru Bolt

Dim: 5/16-18 x 7-3/4 L

Features:

- Hex head, 1/2 drive
- Plain finish



84-1426
Thru Bolt

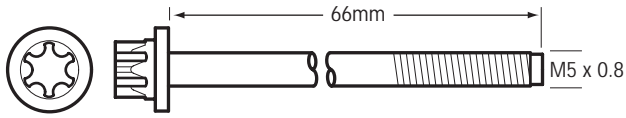
Dim: 5/16-18 x 9-1/8 L

Features:

- Hex washer head, 7/16 drive
- Plain finish

THRU BOLTS - METRIC

M5 x 0.8

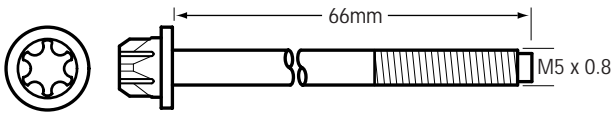


85-1302
Thru Bolt

Dim: M5 x 0.8 x 66mm L

Features:

- External torx head, E8 drive
- Thread-forming
- Dog point
- Zinc-plated

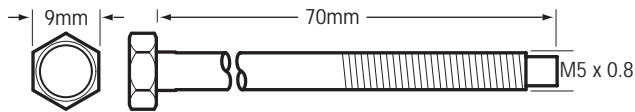


85-1302-1
Thru Bolt

Dim: M5 x 0.8 x 66mm L

Features:

- External torx head, E8 drive
- Thread-forming
- Dog point
- Zinc-plated
- Wax-coated threads for easier installation

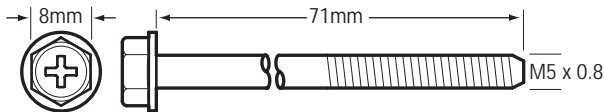


85-1301
Thru Bolt

Dim: M5 x 0.8 x 70mm L

Features:

- Hex head, 9mm drive
- Dog point
- Zinc-plated

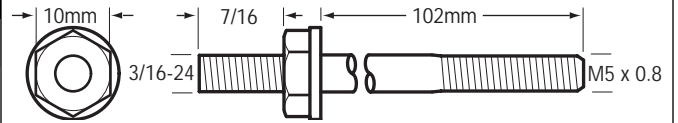


85-1361
Thru Bolt

Dim: M5 x 0.8 x 71mm L

Features:

- Phillips hex head, 8mm drive
- Zinc-yellow plated



85-1338

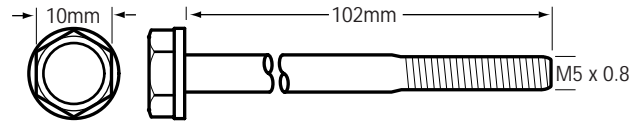
Thru Bolt w/ Extension

Dim: M5 x 0.8 x 102mm L

3/16-24 x 7/16 L Ext.

Features:

- Hex washer head, 10mm drive
- Chamfered point
- Zinc-yellow plated



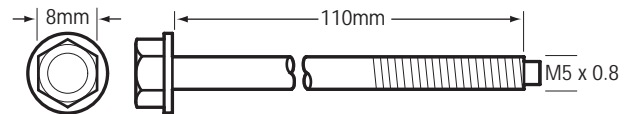
85-1339

Thru Bolt

Dim: M5 x 0.8 x 102mm L

Features:

- Hex washer head, 10mm drive
- Chamfered point
- Zinc-yellow plated



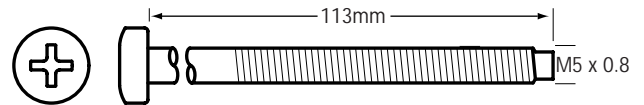
85-1367

Thru Bolt

Dim: M5 x 0.8 x 110mm L

Features:

- Hex washer head, 8mm drive
- Chamfered point
- Zinc-yellow plated



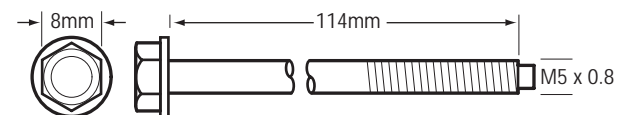
85-1324

Thru Bolt

Dim: M5 x 0.8 x 113mm L

Features:

- Phillips pan head
- Dog point
- Zinc-yellow plated



85-1369

Thru Bolt

Dim: M5 x 0.8 x 114mm L

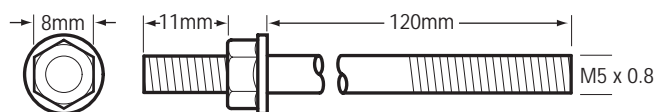
Features:

- Hex washer head, 8mm drive
- Chamfered point
- Zinc-yellow plated

HARDWARE (84-, 85-)

THRU BOLTS - METRIC

M5 x 0.8 (cont'd.)



85-1378

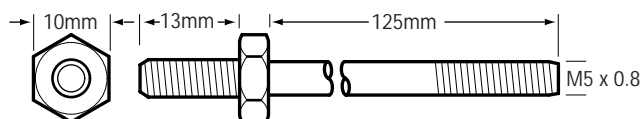
Thru Bolt w/ Extension

Dim: M5 x 0.8 x 120mm L

M5 x 0.8 x 11mm L Ext.

Features:

- Hex washer head, 8mm drive
- Chamfered point
- Zinc-yellow plated



85-1318

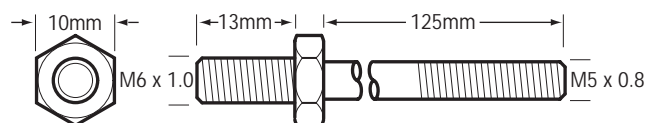
Thru Bolt w/ Extension

Dim: M5 x 0.8 x 125mm L

M5 x 0.8 x 13mm L Ext.

Features:

- Hex head, 10mm drive
- Chamfered point
- Zinc yellow plated



85-1344

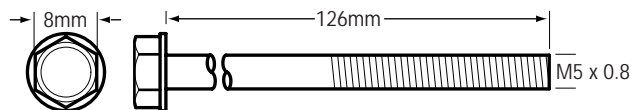
Thru Bolt w/ Extension

Dim: M5 x 0.8 x 125mm L

M6 x 1.0 x 13mm L Ext.

Features:

- Hex head, 10mm drive
- Chamfered point
- Zinc yellow plated



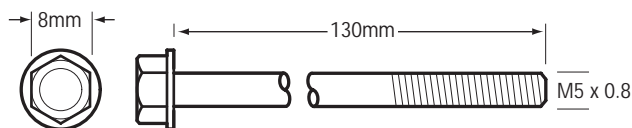
85-1317

Thru Bolt

Dim: M5 x 0.8 x 126mm L

Features:

- Hex washer head, 8mm drive
- Zinc-yellow plated



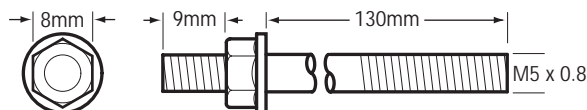
85-1376

Thru Bolt

Dim: M5 x 0.8 x 130mm L

Features:

- Hex washer head, 8mm drive
- Chamfered point
- Zinc-yellow plated



85-1377

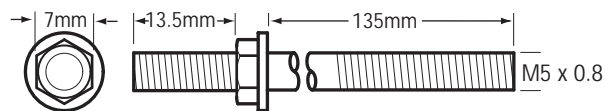
Thru Bolt w/ Extension

Dim: M5 x 0.8 x 130mm L

M5 x 0.8 x 9mm L Ext.

Features:

- Hex washer head, 8mm drive
- Chamfered point
- Zinc-yellow plated



85-1323

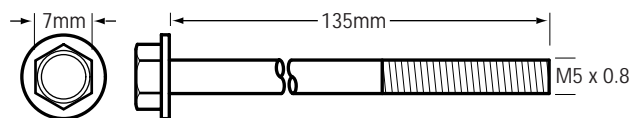
Thru Bolt w/ Extension

Dim: M5 x 0.8 x 135mm L

M5 x 0.8 x 13.5mm L Ext.

Features:

- Hex washer head, 7mm drive
- Black oxide finish



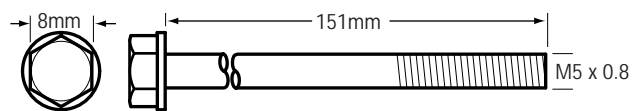
85-1333

Thru Bolt

Dim: M5 x 0.8 x 135mm L

Features:

- Hex washer head, 7mm drive
- Black oxide finish



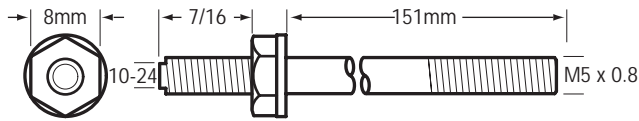
85-1357

Thru Bolt

Dim: M5 x 0.8 x 151mm L

Features:

- Hex washer head, 8mm drive
- Zinc-yellow plated



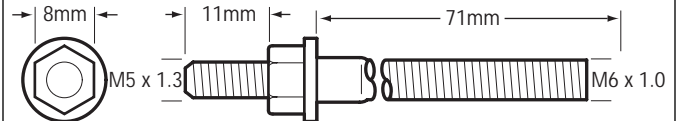
85-1360

Thru Bolt w/ Extension

Dim: M5 x 0.8 x 151mm L
10-24 x 7/16 L Ext

Features:

- Hex washer head, 8mm drive
- Zinc-yellow plated



85-1362

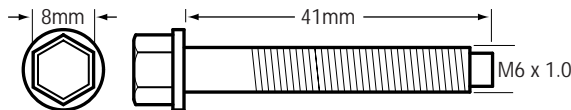
Thru Bolt w/ Extension

Dim: M6 x 1.0 x 71mm L
M5 x 1.30 x 11mm L Ext

Features:

- Hex washer head, 8mm drive
- Dog point
- Zinc-plated

M6 x 1.0



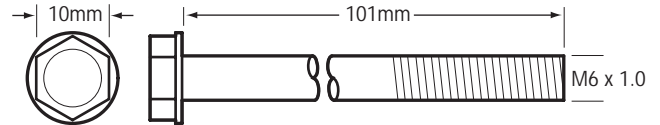
85-1345

Thru Bolt

Dim: M6 x 1.0 x 41mm L

Features:

- Hex washer head, 8mm drive
- Dog point
- Zinc-plated



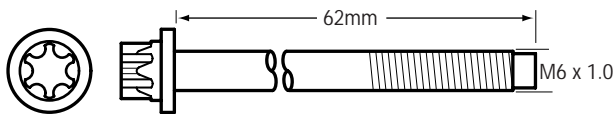
85-1366

Thru Bolt

Dim: M6 x 1.0 x 101mm L

Features:

- Hex washer head, 10mm drive
- Chamfer point
- Zinc-yellow plated



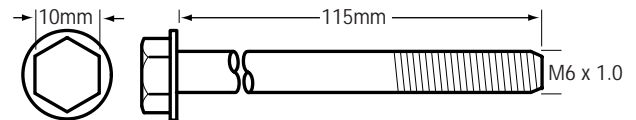
85-1335

Thru Bolt

Dim: M6 x 1.0 x 62mm L

Features:

- External torx head, E8 drive
- Thread-forming
- Dog point
- Zinc-plated



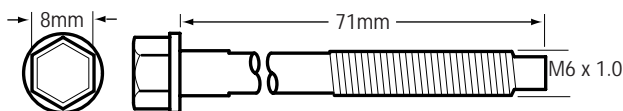
85-1355

Thru Bolt

Dim: M6 x 1.0 x 115mm L

Features:

- Hex washer head, 10mm drive
- Chamfer point
- Zinc-yellow plated



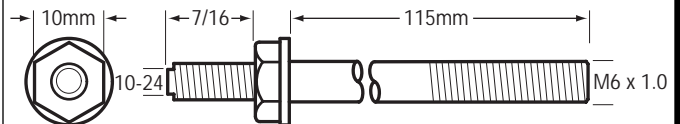
85-1322

Thru Bolt

Dim: M6 x 1.0 x 71mm L

Features:

- Hex washer head, 8mm drive
- Dog point
- Zinc-plated



85-1358

Thru Bolt w/ Extension

Dim: M6 x 1.0 x 115mm L
10-24 x 7/16 L Ext.

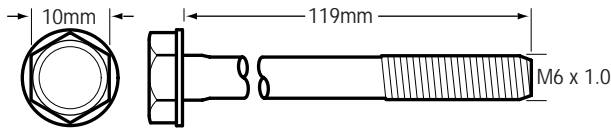
Features:

- Hex washer head, 10mm drive
- Chamfer point
- Zinc-yellow plated

HARDWARE (84-, 85-)

THRU BOLTS - METRIC

M6 x 1.0 (cont'd.)

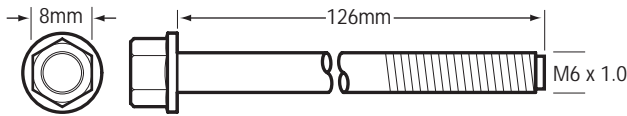


85-1315
Thru Bolt

Dim: M6 x 1.0 x 119mm L

Features:

- Hex washer head, 10mm drive
- Chamfered point
- Black oxide finish

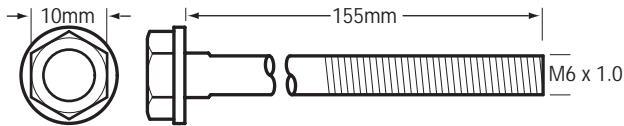


85-1381
Thru Bolt

Dim: M6 x 1.0 x 126mm L

Features:

- Hex head, 8mm drive

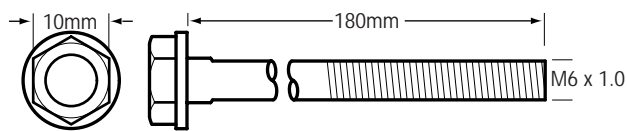


85-1370
Thru Bolt

Dim: M6 x 1.0 x 155mm L

Features:

- Hex washer head, 10mm drive

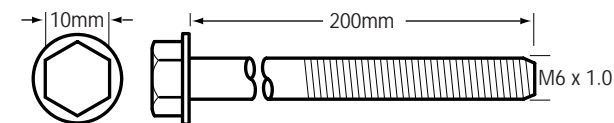


85-1328
Thru Bolt

Dim: M6 x 1.0 x 180mm L

Features:

- Hex washer head, 10mm drive
- Zinc-yellow plated



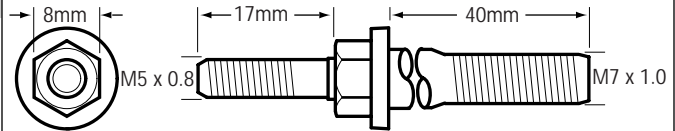
85-1354
Thru Bolt

Dim: M6 x 1.0 x 200mm L

Features:

- Hex washer head, 10mm drive
- Chamfered point
- Zinc-yellow plated

M7 x 1.0



85-1403

Thru Bolt w/ Extension

Dim: M7 x 1.0 x 40mm L

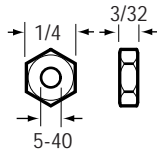
M5 x 0.8 x 17mm L Ext.

Features:

- Hex washer head, 8mm drive
- Chamfered point
- Zinc-yellow plated

NUTS - STANDARD

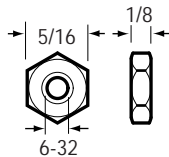
5-40



84-2100
Hex Nut

Dim: 5-40 x 1/4 F x 3/32 T
Features:
• Zinc-plated

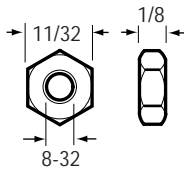
6-32



84-2101
Hex Nut

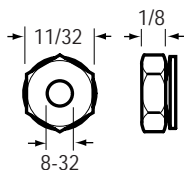
Dim: 6-32 x 5/16 F x 1/8 T
Features:
• Zinc-plated

8-32



84-2200
Hex Nut

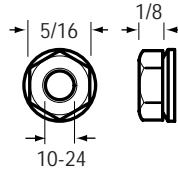
Dim: 8-32 x 11/32 F x 1/8 T
Features:
• Zinc-plated



84-2201
Hex Nut

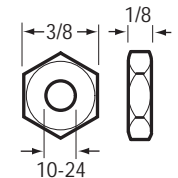
Dim: 8-32 x 11/32 F x 1/8 T
Features:
• Attached conical washer
• Zinc-yellow plated

10-24



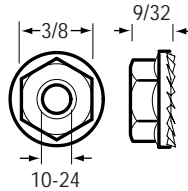
84-2303
Hex Nut

Dim: 10-24 x 5/16 F x 1/8 T
Features:
• Attached conical washer
• Zinc-yellow plated



84-2308
Hex Nut

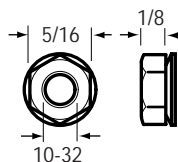
Dim: 10-24 x 3/8 F x 1/8 T
Features:
• Zinc-plated



84-2302
Hex Nut

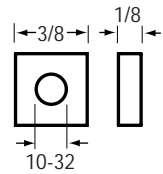
Dim: 10-24 x 3/8 F x 9/32 T
Features:
• Serrated flange
• Zinc-plated

10-32



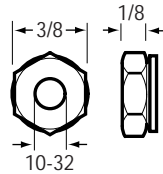
84-2304
Hex Nut

Dim: 10-32 x 5/16 F x 1/8 T
Features:
• Attached conical washer
• Zinc-yellow plated



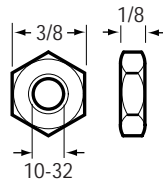
84-2301
Square Nut

Dim: 10-32 x 3/8 F x 1/8 T
Features:
• Zinc-plated



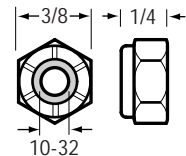
84-2305
Hex Nut

Dim: 10-32 x 3/8 F x 1/8 T
Features:
• Attached conical washer
• Zinc-yellow plated



84-2310
Hex Nut

Dim: 10-32 x 3/8 F x 1/8 T
Features:
• Zinc-plated



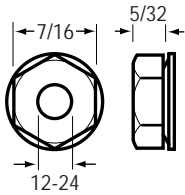
84-2307
Hex Nut

Dim: 10-32 x 3/8 F x 1/4 T
Features:
• Nylon insert
• Zinc-plated

HARDWARE (84-, 85-)

NUTS - STANDARD

12-24

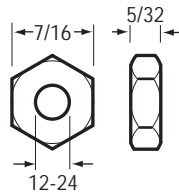


84-2306
Hex Nut

Dim: 12-24 x 7/16 F x 5/32 T

Features:

- Attached conical washer
- Zinc-plated



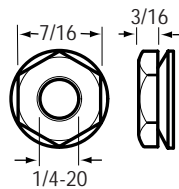
84-2312
Hex Nut

Dim: 12-24 x 7/16 F x 5/32 T

Features:

- Zinc-plated

1/4-20

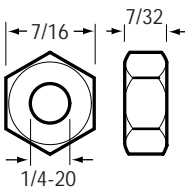


84-2401
Hex Nut

Dim: 1/4-20 x 7/16 F x 3/16 T

Features:

- Attached conical washer
- Zinc-yellow plated



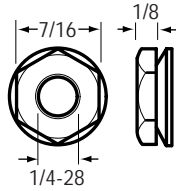
84-2405
Hex Nut

Dim: 1/4-20 x 7/16 F x 7/32 T

Features:

- Zinc-plated

1/4-28

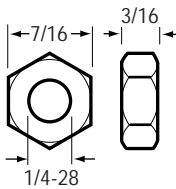


84-2402
Hex Nut

Dim: 1/4-28 x 7/16 F x 1/8 T

Features:

- Attached conical washer
- Zinc-plated

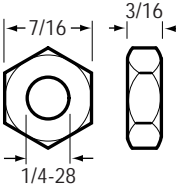


84-2404
Hex Nut

Dim: 1/4-28 x 7/16 F x 3/16 T

Features:

- Brass



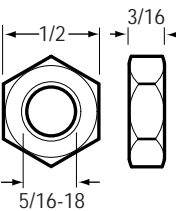
84-2406
Hex Nut

Dim: 1/4-28 x 7/16 F x 3/16 T

Features:

- Zinc-plated

5/16-18

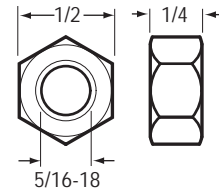


84-2407
Hex Nut

Dim: 5/16-18 x 1/2 F x 3/16 T

Features:

- Zinc-plated

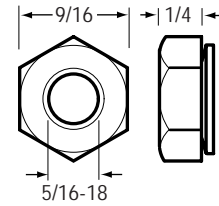


84-2407-1
Hex Nut

Dim: 5/16-18 x 1/2 F x 1/4 T

Features:

- Zinc-plated



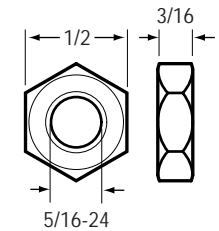
84-2403
Hex Nut

Dim: 5/16-18 x 9/16 F x 1/4 T

Features:

- Attached conical washer
- Zinc-yellow plated

5/16-24

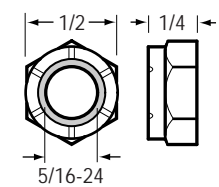


84-2501
Hex Nut

Dim: 5/16-24 x 1/2 F x 3/16 T

Features:

- Zinc-plated

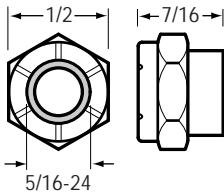


84-2409
Hex Nut

Dim: 5/16-24 x 1/2 F x 1/4 T

Features:

- Nylon insert
- Zinc-plated



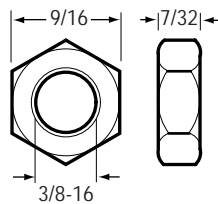
84-2408
Hex Nut

Dim: 5/16-24 x 1/2 F x 7/16 T

Features:

- Nylon insert
- Zinc-plated

3/8-16

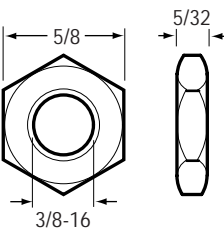


84-2505
Hex Nut

Dim: 3/8-16 x 9/16 F x 7/32 T

Features:

- Zinc-plated

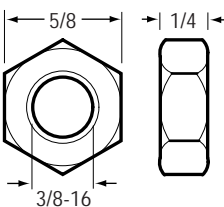


84-2500
Hex Nut

Dim: 3/8-16 x 5/8 F x 5/32 T

Features:

- Zinc-plated



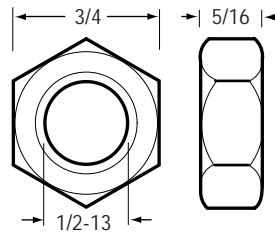
84-2503
Hex Nut

Dim: 3/8-16 x 5/8 F x 1/4 T

Features:

- Zinc-plated

1/2-13

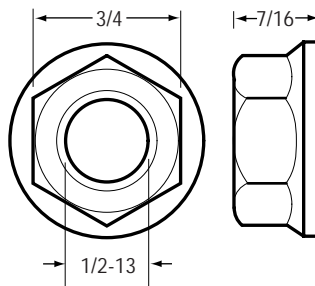


84-2602
Hex Nut

Dim: 1/2-13 x 3/4 F x 5/16 T

Features:

- Zinc-yellow plated

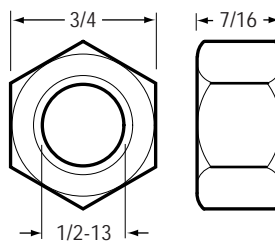


84-2600-1
Hex Nut

Dim: 1/2-13 x 3/4 F x 7/16 T

Features:

- Smooth flange
- Zinc-yellow plated



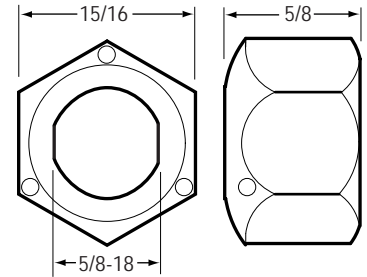
84-2603
Hex Nut

Dim: 1/2-13 x 3/4 F x 7/16 T

Features:

- Zinc-plated

5/8-18



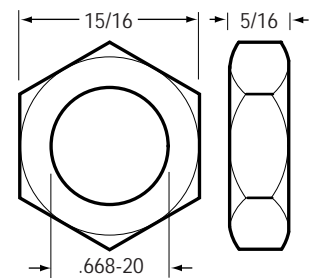
84-2601
Hex Nut

Dim: 5/8-18 x 15/16 F x 5/8 T

Features:

- Top lock
- Zinc-yellow plated

.668-20

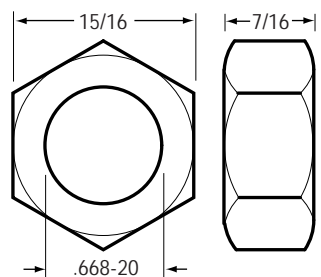


84-2700
Hex Nut

Dim: .668-20 x 15/16 F x 5/16 T

Features:

- Zinc-yellow plated



84-2700-1
Hex Nut

Dim: .668-20 x 15/16 F x 7/16 T

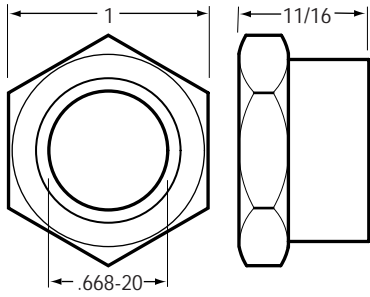
Features:

- Zinc-yellow plated

HARDWARE (84-, 85-)

NUTS - STANDARD

.668-20 (cont'd.)



84-2605
Hex Nut

Dim: .668-20 x 1 F x 11/16 T

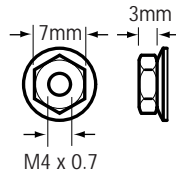
Note: Used w/ 24-7100 conversion pulley

Features:

- Zinc-yellow plated

NUTS - METRIC

M4 x 0.7

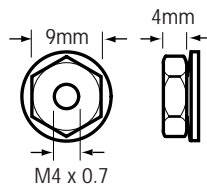


85-2201
Hex Nut

Dim: M4 x 0.7 x 7mm F x 3mm T

Features:

- Attached conical washer
- Zinc-yellow plated



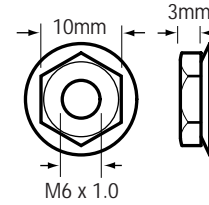
85-2200
Hex Nut

Dim: M4 x 0.7 x 9mm F x 4mm T

Features:

- Attached conical washer
- Zinc-yellow plated

M6 x 1.0

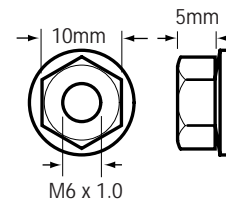


85-2309
Hex Nut

Dim: M6 x 1.0 x 10mm F x 3mm T

Features:

- Attached conical washer
- Zinc-yellow plated



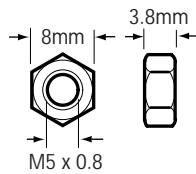
85-2301
Hex Nut

Dim: M6 x 1.0 x 10mm F x 5mm T

Features:

- Attached conical washer
- Zinc-yellow plated

M5 x 0.8

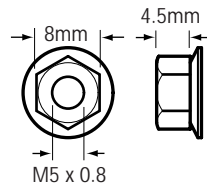


85-2304
Hex Nut

Dim: M5 x 0.8 x 8mm F x 3.8mm T

Features:

- Zinc-plated

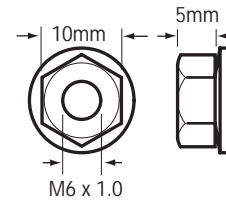


85-2300
Hex Nut

Dim: M5 x 0.8 x 8mm F x 4.5mm T

Features:

- Attached conical washer
- Zinc-yellow plated

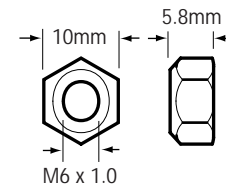


85-2301-2
Hex Nut

Dim: M6 x 1.0 x 10mm F x 5mm T

Features:

- Attached conical washer
- Zinc plated

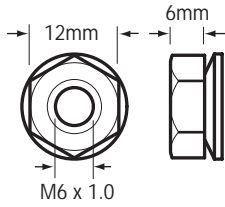


85-2307
Hex Nut

Dim: M6 x 1.0 x 10mm F x 5.8mm T

Features:

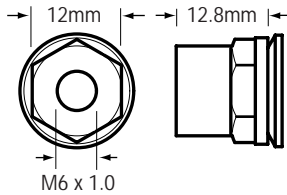
- Top lock
- Zinc-yellow plated



85-2310
Hex Nut

Dim: M6 x 1.0 x 12mm F x 6mm T
Features:

- Attached conical washer
- Zinc-yellow plated

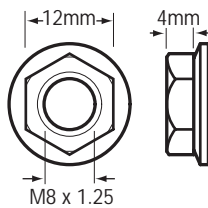


85-2305
Hex Nut

Dim: M6 x 1.0 x 12mm F x 12.8mm T
Features:

- Attached conical washer
- Zinc-yellow plated

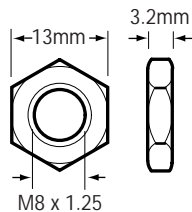
M8 x 1.25



85-2407
Hex Nut

Dim: M8 x 1.25 x 12mm F x 4mm T
Features:

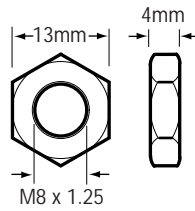
- Attached conical washer
- Zinc-yellow plated



85-2404
Hex Nut

Dim: M8 x 1.25 x 13mm F x 3.2mm T
Features:

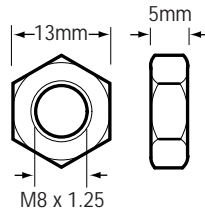
- Zinc-plated



85-2402
Hex Nut

Dim: M8 x 1.25 x 13mm F x 4mm T
Features:

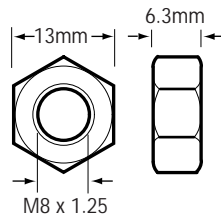
- Zinc-yellow plated



85-2401
Hex Nut

Dim: M8 x 1.25 x 13mm F x 5mm T
Features:

- Zinc-plated

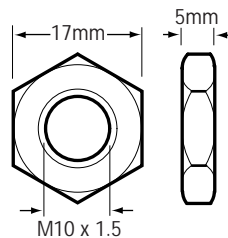


85-2400
Hex Nut

Dim: M8 x 1.25 x 13mm F x 6.3mm T
Features:

- Zinc-plated

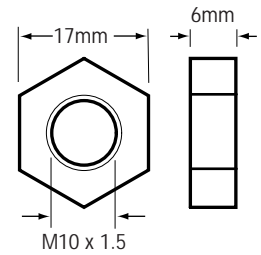
M10 x 1.5



85-2503
Hex Nut

Dim: M10 x 1.5 x 17mm F x 5mm T
Features:

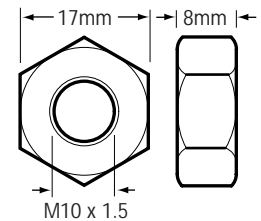
- Zinc-yellow plated



85-2505
Hex Nut

Dim: M10 x 1.5 x 17mm F x 6mm T
Features:

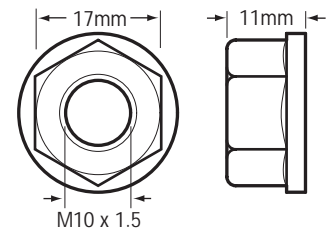
- Zinc-yellow plated



85-2500
Hex Nut

Dim: M10 x 1.5 x 17mm F x 8mm T
Features:

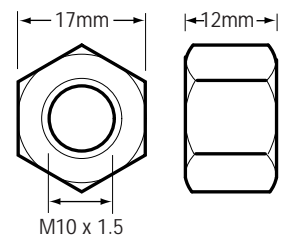
- Zinc-plated



85-2507
Hex Nut

Dim: M10 x 1.5 x 17mm F x 11mm T
Features:

- Zinc-yellow plated



85-2504
Hex Nut

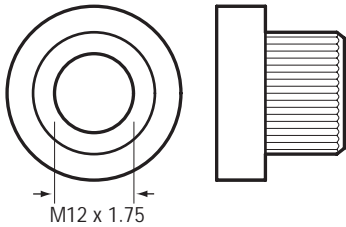
Dim: M10 x 1.5 x 17mm F x 12mm T
Features:

- Zinc-yellow plated

HARDWARE (84-, 85-)

NUTS - METRIC

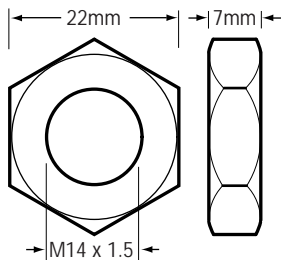
M12 x 1.75



85-9500
Captive Nut

Dim: M12 x 1.75

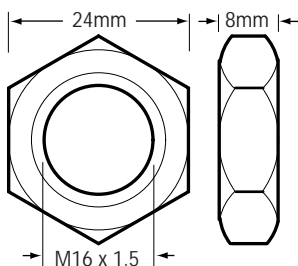
M14 x 1.5



85-2601
Hex Nut

Dim: M14 x 1.5 x 22mm F x 7mm T
Features:
• Zinc-yellow plated

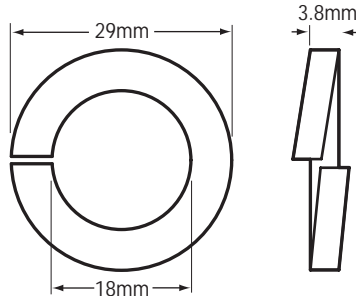
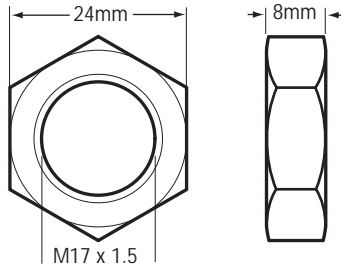
M16 x 1.5



85-2600
Hex Nut

Dim: M16 x 1.5 x 24mm F x 8mm T
Features:
• Zinc-yellow plated

M17 x 1.5



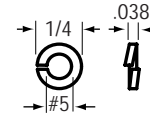
85-2701

Hex Nut w/ Split Lock Washer

Dim: Hex Nut: M17 x 1.5 x 24mm F x 8mm T
Split Lock Washer: 18mm ID x 29mm OD x 3.8mm T
Features:
• Zinc-yellow plated

WASHERS - STANDARD

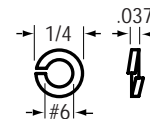
#5



84-4100
Split Lock Washer

Dim: #5 ID x 1/4 OD x .038 T
Features:
• Zinc-plated

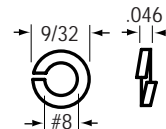
#6



84-4101
Split Lock Washer

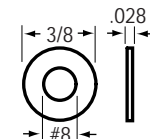
Dim: #6 ID x 1/4 OD x .037 T
Features:
• Zinc-plated

#8



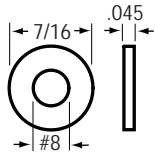
84-4201
Split Lock Washer

Dim: #8 ID x 9/32 OD x .046 T
Features:
• Zinc-plated



84-4204
Flat Washer

Dim: #8 ID x 3/8 OD x .028 T
Features:
• Zinc-plated



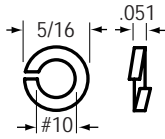
84-4203
Flat Washer

Dim: #8 ID x 7/16 OD x .045 T

Features:

- Zinc-plated

#10

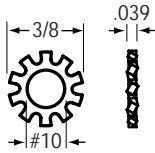


84-4309
Split Lock Washer

Dim: #10 ID x 5/16 OD x .051 T

Features:

- Zinc-plated

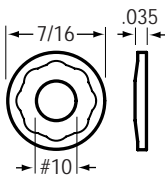


84-4300
External Tooth Lock Washer

Dim: #10 ID x 3/8 OD x .039 T

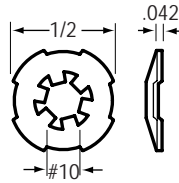
Features:

- Zinc-plated



84-4311
Conical Washer

Dim: #10 ID x 7/16 OD x .035 T

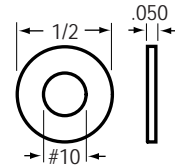


84-4305
Internal Tooth Square Conical Lock Washer

Dim: #10 ID x 1/2 OD x .042 T

Features:

- Black oxide finish

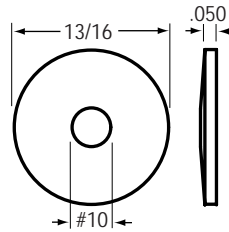


84-4304
Flat Washer

Dim: #10 ID x 1/2 OD x .050 T

Features:

- Zinc-plated



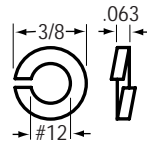
84-4310
Conical Washer

Dim: #10 ID x 13/16 OD x .050 T

Features:

- Zinc-plated

#12

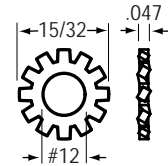


84-4307
Split Lock Washer

Dim: #12 ID x 3/8 OD x .063 T

Features:

- Zinc-plated

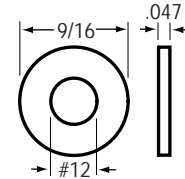


84-4303
External Tooth Lock Washer

Dim: #12 ID x 15/32 OD x .047 T

Features:

- Zinc-plated



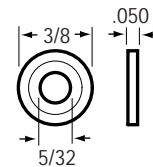
84-4306
Flat Washer

Dim: #12 ID x 9/16 OD x .047 T

Features:

- Zinc-plated

5/32



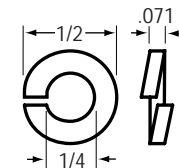
84-4102
Flat Washer

Dim: 5/32 ID x 3/8 OD x .050 T

Features:

- Concave surface
- Plain finish

1/4



84-4401
Split Lock Washer

Dim: 1/4 ID x 1/2 OD x .071 T

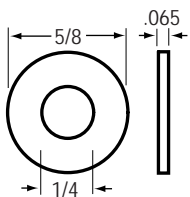
Features:

- Zinc-plated

HARDWARE (84-, 85-)

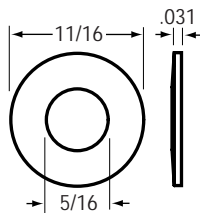
WASHERS - STANDARD

1/4 (cont'd.)



84-4403
Flat Washer

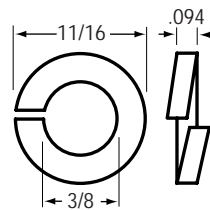
Dim: 1/4 ID x 5/8 OD x .065 T
Features:
• Zinc-plated



84-4407
Conical Washer

Dim: 5/16 ID x 11/16 OD x .031 T
Features:
• Zinc-plated

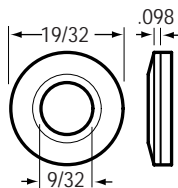
3/8



84-4500
Split Lock Washer

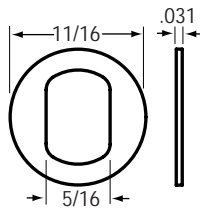
Dim: 3/8 ID x 11/16 OD x .094 T
Features:
• Zinc-plated

9/32



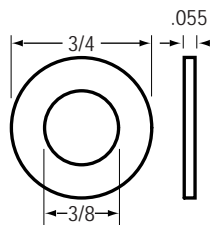
84-4400
Conical Washer w/ Seal

Dim: 9/32 ID x 19/32 OD x .098 T
Features:
• Zinc-plated steel w/ attached neoprene seal



84-4900
Flat Washer

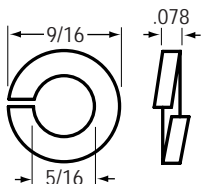
Dim: 5/16 ID x 11/16 OD x .031 T
Features:
• Oval hole
• Zinc-yellow plated



84-4506
Flat Washer

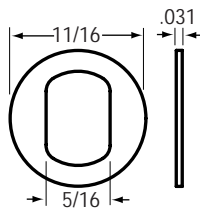
Dim: 3/8 ID x 3/4 OD x .055 T
Features:
• Zinc-yellow plated

5/16



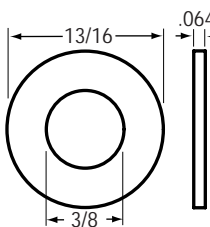
84-4402
Split Lock Washer

Dim: 5/16 ID x 9/16 OD x .078 T
Features:
• Zinc-plated



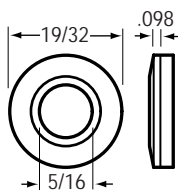
84-4900-1
Flat Washer

Dim: 5/16 ID x 11/16 OD x .031 T
Features:
• Oval hole
• Plain finish



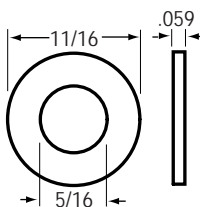
84-4501
Flat Washer

Dim: 3/8 ID x 13/16 OD x .064 T
Features:
• Zinc-plated



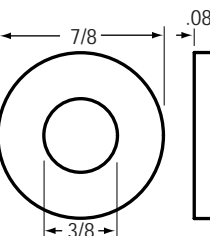
84-4410
Conical Washer w/ Seal

Dim: 5/16 ID x 19/32 OD x .098 T
Note: Slightly larger ID than 84-4400 for ease of installation in production assembly
Features:
• Zinc-plated steel w/ attached neoprene seal



84-4405
Flat Washer

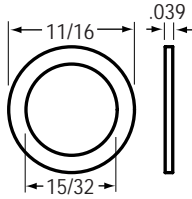
Dim: 5/16 ID x 11/16 OD x .059 T
Features:
• Zinc-plated



84-4507
Flat Washer

Dim: 3/8 ID x 7/8 OD x .087 T
Features:
• Zinc-plated

15/32

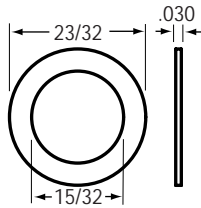


84-4503-1
Flat Washer

Dim: 15/32 ID x 11/16 OD x .039 T

Features:

- Zinc-plated

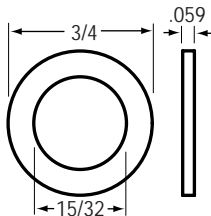


84-4503
Flat Washer

Dim: 15/32 ID x 23/32 OD x .030 T

Features:

- Zinc-plated



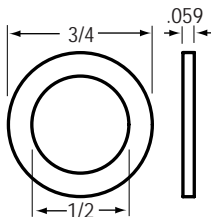
84-4614
Flat Washer

Dim: 15/32 ID x 3/4 OD x .059 T

Features:

- Zinc-plated

1/2

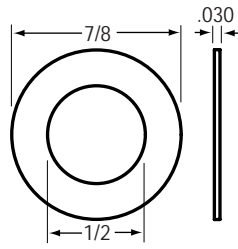


84-4615
Flat Washer

Dim: 1/2 ID x 3/4 OD x .059 T

Features:

- Zinc-plated

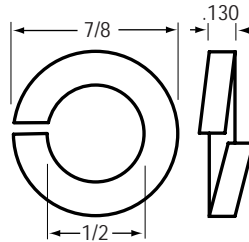


84-4603
Flat Washer

Dim: 1/2 ID x 7/8 OD x .030 T

Features:

- Zinc-yellow plated



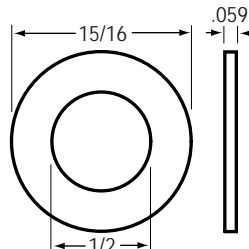
84-4600

Split Lock Washer

Dim: 1/2 ID x 7/8 OD x .130 T

Features:

- Zinc-yellow plated



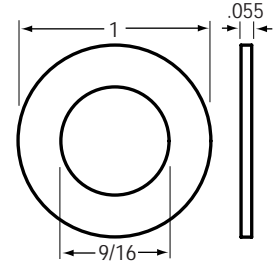
84-4617
Flat Washer

Dim: 1/2 ID x 15/16 OD x .059 T

Features:

- Zinc-plated

9/16

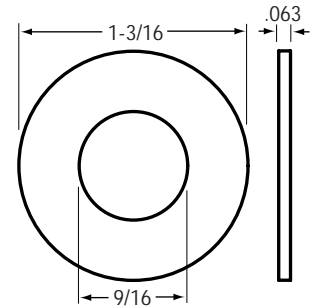


84-4610
Flat Washer

Dim: 9/16 ID x 1 OD x .055 T

Features:

- Black oxide finish
- Hardened



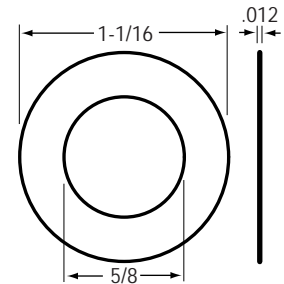
84-4613
Flat Washer

Dim: 9/16 ID x 1-3/16 OD x .063 T

Features:

- Black oxide finish
- Hardened

5/8



84-4616
Flat Washer

Dim: 5/8 ID x 1-1/16 OD x .012 T

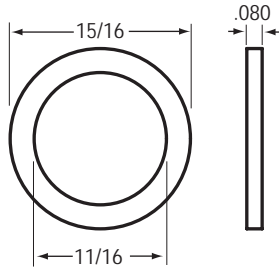
Features:

- Copper plated

HARDWARE (84-, 85-)

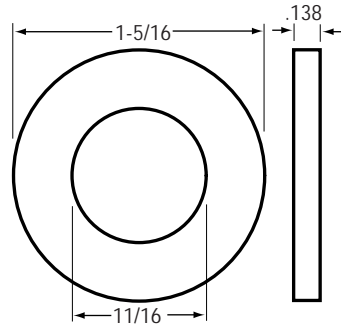
WASHERS - STANDARD

11/16



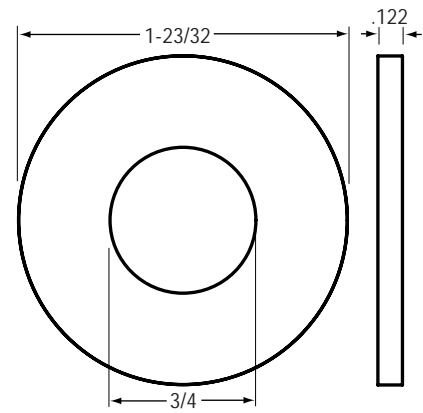
84-4619
Flat Washer

Dim: 11/16 ID x 15/16 OD x .080 T
Features:
• Zinc plated



84-4609-1
Flat Washer

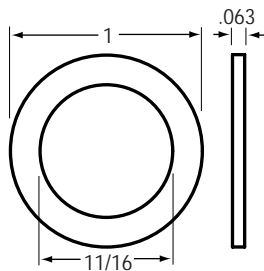
Dim: 11/16 ID x 1-5/16 OD x .138 T
Features:
• Zinc-yellow plated
• Hardened



84-4710
Flat Washer

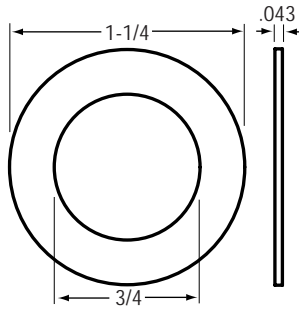
Dim: 3/4 ID x 1-23/32 OD x .122 T
Features:
• Zinc-plated

3/4



84-4604
Flat Washer

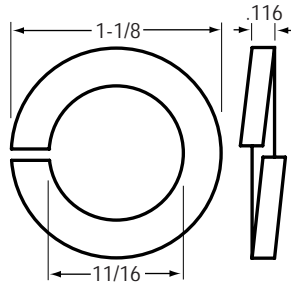
Dim: 11/16 ID x 1 OD x .063 T
Features:
• Black oxide finish



84-4709
Flat Washer

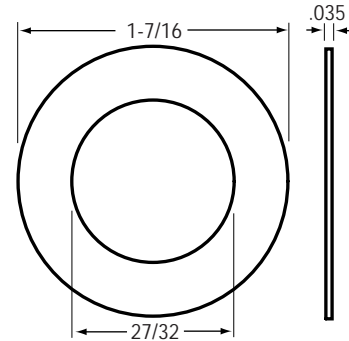
Dim: 3/4 ID x 1-1/4 OD x .043 T
Features:
• Zinc-plated

27/32



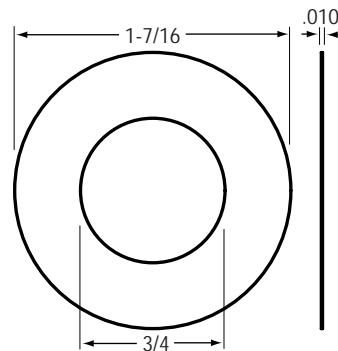
84-4606
Split Lock Washer

Dim: 11/16 ID x 1-1/8 OD x .116 T
Features:
• Zinc-yellow plated



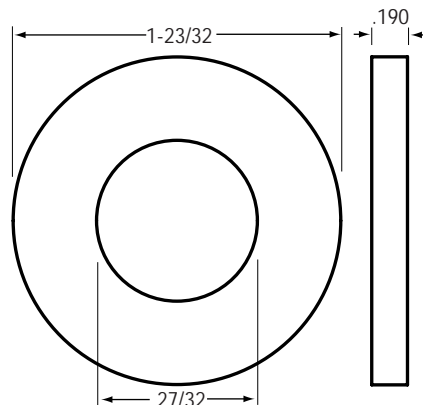
84-4703
Flat Washer

Dim: 27/32 ID x 1-7/16 OD x .035 T
Features:
• Zinc-plated



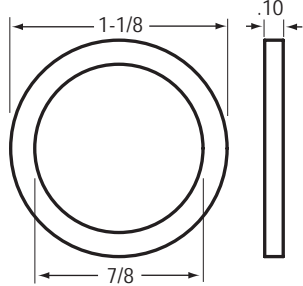
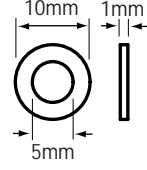
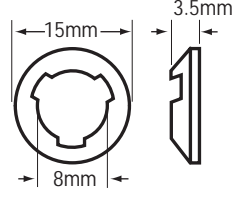
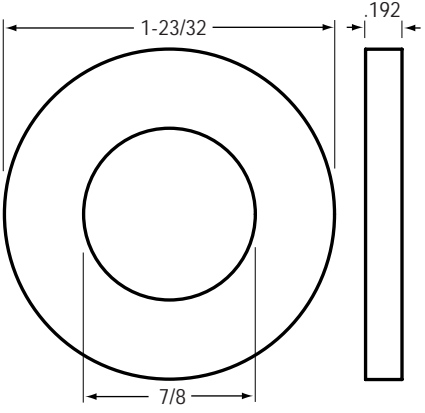
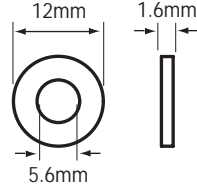
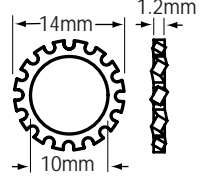
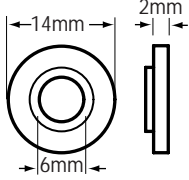
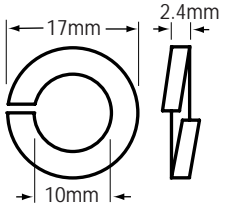
84-4712
Flat Washer

Dim: 3/4 ID x 1-7/16 OD x .010 T
Features:
• Plain finish



84-4702
Flat Washer

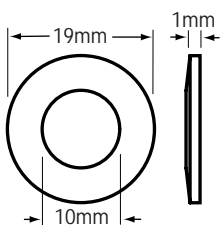
Dim: 27/32 ID x 1-23/32 OD x .190 T
Features:
• Zinc-plated

7/8	WASHERS - METRIC	8mm
 <p>84-4713 Flat Washer Dim: 7/8 ID x 1-1/8 OD x .10 T w/ Recess Features:</p> <ul style="list-style-type: none"> • Steel, plain finish 	<p>5mm</p>  <p>85-4302 Flat Washer Dim: 5mm ID x 10mm OD x 1mm T Features:</p> <ul style="list-style-type: none"> • Zinc-plated 	 <p>85-9401 Lock Washer Dim: 8mm ID x 15mm OD x 3.5mm T Note: Used to secure 8mm solenoid terminals in solenoid cap Features:</p> <ul style="list-style-type: none"> • Tin plated • Design grips between threads of terminal to lock terminal securely into place
 <p>84-4704 Flat Washer Dim: 7/8 ID x 1-23/32 OD x .192 T Features:</p> <ul style="list-style-type: none"> • Zinc-plated 	<p>5.6mm</p>  <p>85-4308 Flat Washer Dim: 5.6mm ID x 12mm OD x 1.6mm T Note: 1.6mm thick spacer for aftermarket Delco CS130D rectifiers using CS130 heat sink. Used on top of the mounting hole where the 4mm torx head screw attaches the regulator & rectifier to the SRE frame.</p>	<p>10mm</p>  <p>85-4306 External Tooth Lock Washer Dim: 10mm ID x 14mm OD x 1.2mm T Features:</p> <ul style="list-style-type: none"> • Zinc-plated
	<p>6mm</p>  <p>85-4305 Conical Washer w/ Seal Dim: 6mm ID x 14mm OD x 2mm T Features:</p> <ul style="list-style-type: none"> • Zinc-yellow plated w/ attached rubber seal 	 <p>85-4500 Split Lock Washer Dim: 10mm ID x 17mm OD x 2.4mm T Features:</p> <ul style="list-style-type: none"> • Zinc-plated

HARDWARE (84-, 85-)

WASHERS - METRIC

10mm (cont'd.)

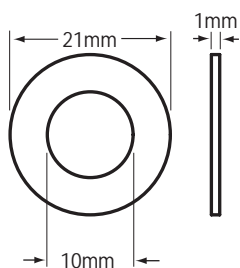


85-4503
Conical Washer

Dim: 10mm ID x 19mm OD x 1mm T

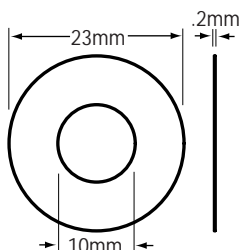
Features:

- Zinc-yellow plated



85-4505
Flat Washer

Dim: 10mm ID x 21mm OD x 1mm T

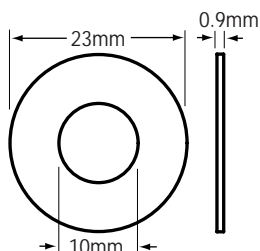


85-4502
Flat Washer

Dim: 10mm ID x 23mm OD x 0.2mm T

Features:

- Plain finish



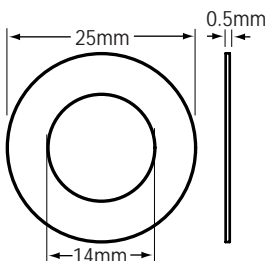
85-4501
Flat Washer

Dim: 10mm ID x 23mm OD x 0.9mm T

Features:

- Plain finish

14mm



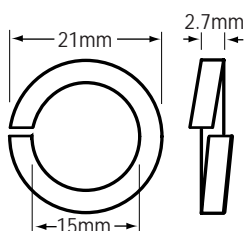
85-4905
Flat Washer

Dim: 14mm ID x 25mm OD x .5mm T

Features:

- Plain finish

15mm



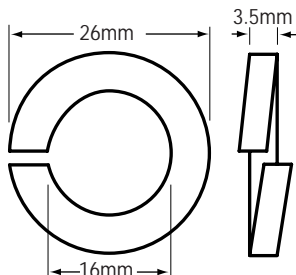
85-4602
Split Lock Washer

Dim: 15mm ID x 21mm OD x 2.7mm T

Features:

- Zinc-plated

16mm



85-4601
Split Lock Washer

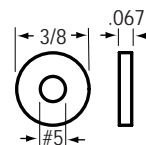
Dim: 16mm ID x 26mm OD x 3.5mm T

Features:

- Zinc-yellow plated

WASHERS, NON-METALLIC STANDARD

#5



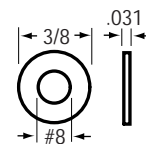
84-7100
Insulating Washer

Dim: #5 ID x 3/8 OD x .067 T

Features:

- Fiber

#8



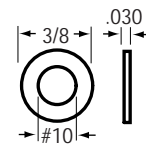
84-7303
Insulating Washer

Dim: #8 ID x 3/8 OD x .031 T

Features:

- Fiber

#10

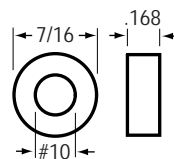


84-7306
Insulating Washer

Dim: #10 ID x 3/8 OD x .030 T

Features:

- Phenolic



84-7200
Insulating Washer

Dim: #10 ID x 7/16 OD x .168 T

Features:

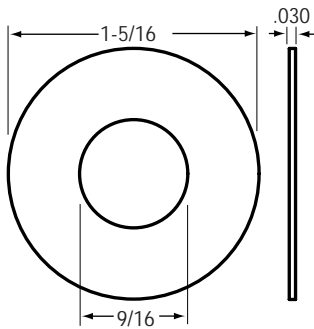
- Phenolic

	5/16	1/2
<div data-bbox="315 233 506 422"> </div> <div data-bbox="224 443 521 583"> <p>84-7301 Insulating Washer Dim: #10 ID x 5/8 OD x .065 T Features: <ul style="list-style-type: none"> • Phenolic </p> </div>	<div data-bbox="750 212 959 422"> </div> <div data-bbox="667 443 971 583"> <p>84-7401 Insulating Washer Dim: 5/16 ID x 3/4 OD x .061 T Features: <ul style="list-style-type: none"> • Fiber </p> </div>	<div data-bbox="1170 212 1430 464"> </div> <div data-bbox="1110 485 1430 625"> <p>84-7600 Insulating Washer Dim: 1/2 ID x 15/16 OD x .090 T Features: <ul style="list-style-type: none"> • Phenolic </p> </div>
#12	3/8	
<div data-bbox="323 716 500 884"> </div> <div data-bbox="224 905 532 1050"> <p>84-7300 Insulating Washer Dim: #12 ID x 9/16 OD x .089 T Features: <ul style="list-style-type: none"> • Phenolic </p> </div>	<div data-bbox="764 716 943 898"> </div> <div data-bbox="667 919 967 1062"> <p>84-7501 Insulating Washer Dim: 3/8 ID x 5/8 OD x .035 T Features: <ul style="list-style-type: none"> • Fiber </p> </div>	<div data-bbox="1143 688 1458 1010"> </div> <div data-bbox="1110 1016 1442 1159"> <p>84-7607 Fiber Washer Dim: 1/2 ID x 1-5/16 OD x .031 T Features: <ul style="list-style-type: none"> • Fiber </p> </div>
1/4		
<div data-bbox="334 1178 488 1325"> </div> <div data-bbox="224 1346 527 1486"> <p>84-7201 Insulating Washer Dim: 1/4 ID x 7/16 OD x .092 T Features: <ul style="list-style-type: none"> • Phenolic </p> </div> <div data-bbox="315 1535 506 1717"> </div> <div data-bbox="224 1738 521 1906"> <p>84-7400 Insulating Washer Dim: 1/4 ID x 5/8 OD x .095 T Features: <ul style="list-style-type: none"> • Fiberglass • Red color </p> </div>	<div data-bbox="732 1136 976 1381"> </div> <div data-bbox="667 1402 967 1545"> <p>84-7500 Insulating Washer Dim: 3/8 ID x 7/8 OD x .094 T Features: <ul style="list-style-type: none"> • Fiberglass </p> </div>	<div data-bbox="1133 1220 1468 1549"> </div> <div data-bbox="1110 1556 1442 1696"> <p>84-7605 Brake Washer Dim: 1/2 ID x 1-5/16 OD x .120 T Features: <ul style="list-style-type: none"> • Leather </p> </div>

HARDWARE (84-, 85-)

WASHERS, NON-METALLIC STANDARD

9/16



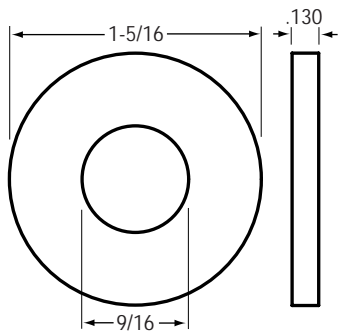
84-7608

Fiber Washer

Dim: 9/16 ID x 1-5/16 OD x .030 T

Features:

- Fiber



84-7606

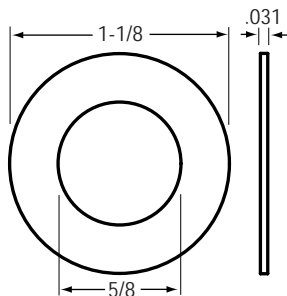
Brake Washer

Dim: 9/16 ID x 1-5/16 OD x .130 T

Features:

- Leather

5/8



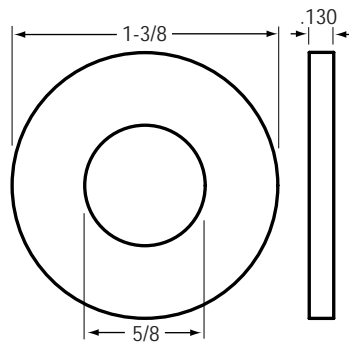
84-7604

Fiber Washer

Dim: 5/8 ID x 1-1/8 OD x .031 T

Features:

- Fiber



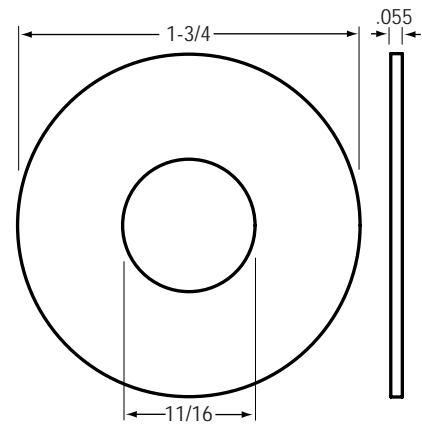
84-7603

Brake Washer

Dim: 5/8 ID x 1-3/8 OD x .130 T

Features:

- Wax-coated leather



84-7602

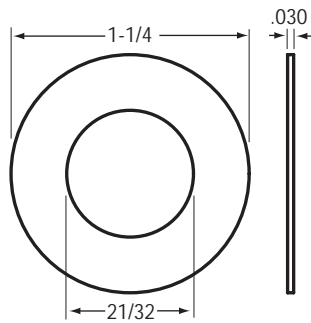
Brake Washer

Dim: 11/16 ID x 1-3/4 OD x .055 T

Features:

- Leather

21/32



84-7711

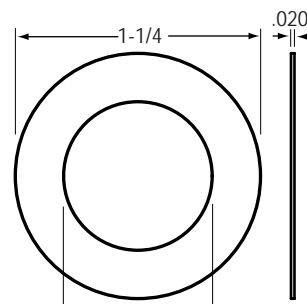
Fiber Washer

Dim: 21/32 ID x 1-1/4 OD x .030 T

Features:

- Fiber

3/4



84-7701

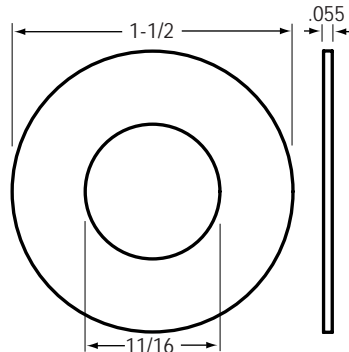
Brake Washer

Dim: 3/4 ID x 1-1/4 OD x .020 T

Features:

- Fiber

11/16



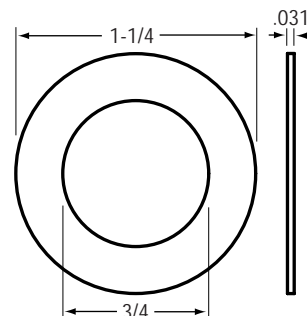
84-7601

Brake Washer

Dim: 11/16 ID x 1-1/2 OD x .055 T

Features:

- Leather



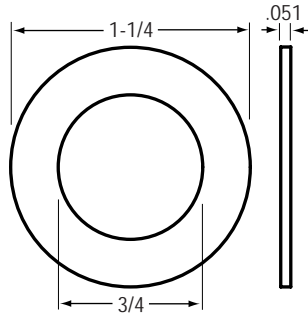
84-7705

Brake Washer

Dim: 3/4 ID x 1-1/4 OD x .031 T

Features:

- Fiber

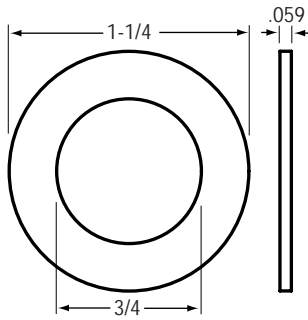


84-7703
Brake Washer

Dim: 3/4 ID x 1-1/4 OD x .051 T

Features:

- Fiber

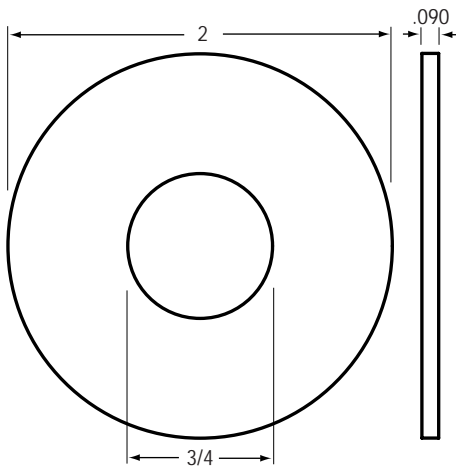


84-7700
Brake Washer

Dim: 3/4 ID x 1-1/4 OD x .059 T

Features:

- Fiber



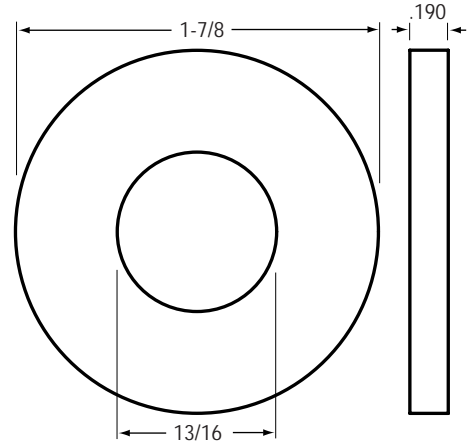
84-7706
Brake Washer

Dim: 3/4 ID x 2 OD x .090 T

Features:

- Fiber

13/16

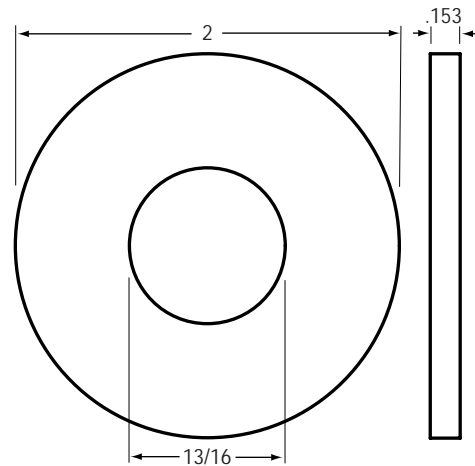


84-7707
Brake Washer

Dim: 13/16 ID x 1-7/8 OD x .190 T

Features:

- Fiber



84-7709
Brake Washer

Dim: 13/16 ID x 2 OD x .153 T

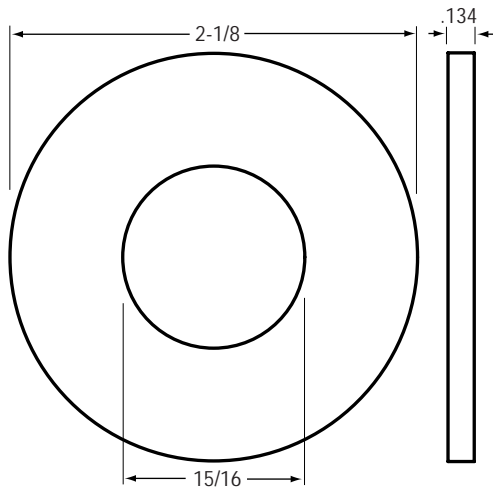
Features:

- Fiber

HARDWARE (84-, 85-)

WASHERS, NON-METALLIC - STANDARD

15/16



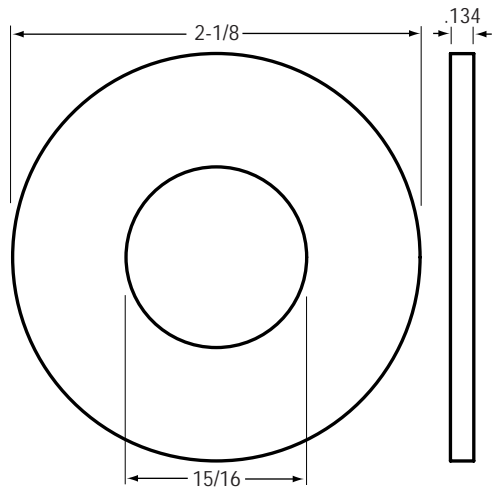
84-7708

Brake Washer

Dim: 15/16 ID x 2-1/8 OD x .134 T

Features:

- Cork/rubber



84-7708-1

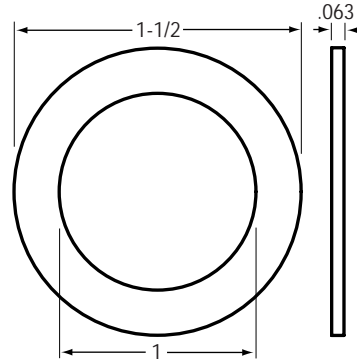
Brake Washer

Dim: 15/16 ID x 2-1/8 OD x .134 T

Features:

- Fiber

1"



84-7704

Fiber Washer

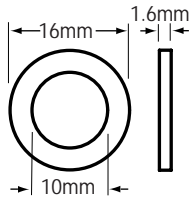
Dim: 1 ID x 1-1/2 OD x .063 T

Features:

- Fiber

WASHERS, NON-METALLIC - METRIC

10mm



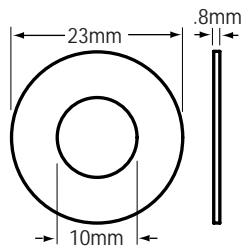
85-7503

Insulating Washer

Dim: 10mm ID x 16mm OD x 1.6mm T

Features:

- Fiber



85-7500

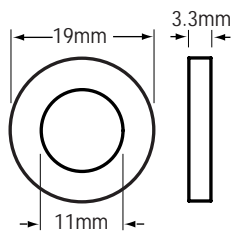
Insulating Washer

Dim: 10mm ID x 23mm OD x .8mm T

Features:

- Phenolic

11mm



85-7501

Felt Washer

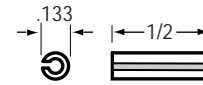
Dim: 11mm ID x 19mm OD x 3.3mm T

Features:

- Felt

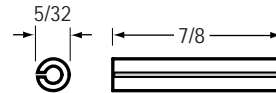
PINS

Split Pins



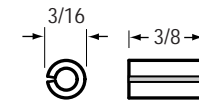
84-5900
Split Roll Pin

Dim: .133 OD x 1/2 L



84-5914
Split Roll Pin

Dim: 5/32 Dia. x 7/8 L

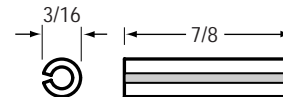


84-5902
Split Roll Pin

Dim: 3/16 OD x 3/8 L

Features:

- Black oxide finish



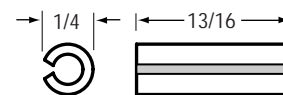
84-5903
Split Roll Pin

Dim: 3/16 OD x 7/8 L



84-5901
Split Roll Pin

Dim: 3/16 OD x 1 L



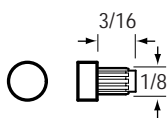
84-5909
Split Roll Pin

Dim: 1/4 OD x 13/16 L

HARDWARE (84-, 85-)

PINS

Solid Pins

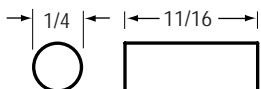


84-5905
Solid Pin

Dim: 1/8 Dia. x 3/16

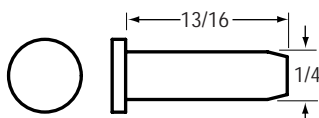
Features:

- Knurled
- Zinc-plated



84-5911
Solid Pin

Dim: 1/4 Dia. x 11/16 L

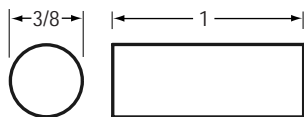


84-5906
Shift Lever Pin

Dim: 1/4 Dia. x 13/16

Features:

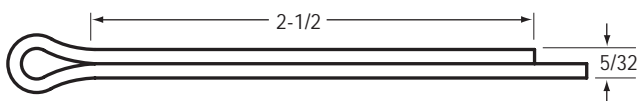
- Heat treated
- Correct length so it won't move under the cover
- Pushes in by hand



84-5910
Locating Dowel Pin

Dim: 3/8 Dia. x 1" L

Cotter Pins

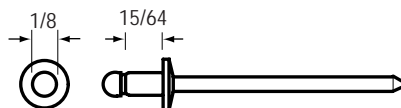


84-5908
Cotter Pin

Dim: 5/32 Dia. x 2-1/2 L

RIVETS

Blind Rivets



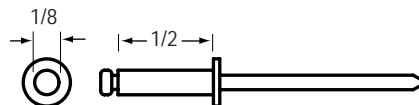
84-3917
Blind Rivet

Dim: 1/8 Dia. x 15/64 L

Note: #30 drill size

Features:

- Stainless Steels
- Grip range 1/16-1/8



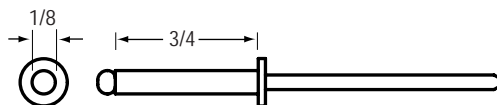
84-3919
Blind Rivet

Dim: 1/8 Dia. x 1/2 L

Note: #30 drill size

Features:

- Aluminum
- Grip range 5/16-3/8



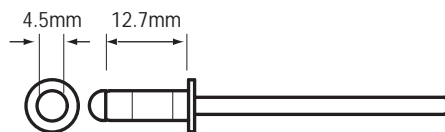
84-3918
Blind Rivet

Dim: 1/8 Dia. x 3/4 L

Note: #30 drill size

Features:

- Aluminum
- Grip range 1/2-5/8

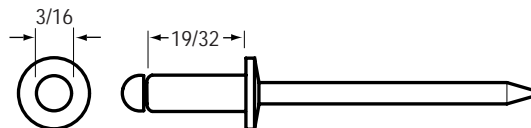


85-3200
Blind Rivet

Dim: 4.5mm Dia. x 12.7mm L

Features:

- Aluminum
- Grip Range 7.8mm



84-3921
Blind Rivet

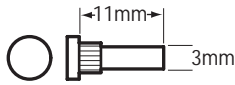
Dim: 3/16 Dia. x 19/32 L

Note: #11 drill size

Features:

- Stainless steel
- Grip range 11/32-13/32

Semi-Tubular Rivets



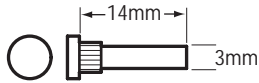
85-3201

Semi-Tubular Rivet

Dim: 3mm Dia. x 11mm L

Features:

- Steel
- Knurled shaft



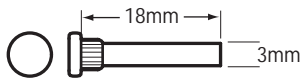
85-3202

Semi-Tubular Rivet

Dim: 3mm Dia. x 14mm L

Features:

- Steel
- 4mm knurled shaft



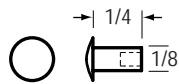
85-3203

Semi-Tubular Rivet

Dim: 3mm Dia. x 18mm L

Features:

- Steel
- 4mm knurled shaft



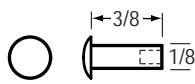
84-3903

Semi-Tubular Rivet

Dim: 1/8 Dia. x 1/4 L

Features:

- Steel
- Grip range 5/32



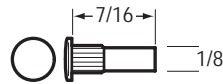
84-3905

Semi-Tubular Rivet

Dim: 1/8 Dia. x 3/8 L

Features:

- Steel
- Grip range 9/32



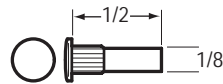
84-3916-1

Semi-Tubular Rivet

Dim: 1/8 Dia. x 7/16 L

Features:

- Steel
- .133 knurled shaft
- Grip range 3/8



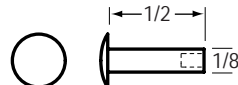
84-3916

Semi-Tubular Rivet

Dim: 1/8 Dia. x 1/2 L

Features:

- Steel
- .133 knurled shaft
- Grip range 3/8



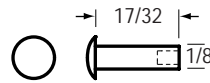
84-3907

Semi-Tubular Rivet

Dim: 1/8 Dia. x 1/2 L

Features:

- Steel
- Grip range 13/32



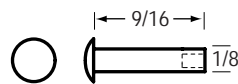
84-3912

Semi-Tubular Rivet

Dim: 1/8 Dia. x 17/32 L

Features:

- Steel
- Grip range 7/16



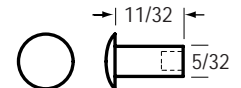
84-3910

Semi-Tubular Rivet

Dim: 1/8 Dia. x 9/16 L

Features:

- Steel
- Grip range 1/2



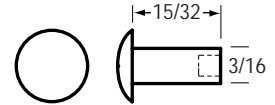
84-3913

Semi-Tubular Rivet

Dim: 5/32 Dia. x 11/32 L

Features:

- Steel
- Grip range 7/32



84-3909

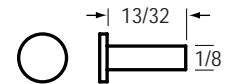
Semi-Tubular Rivet

Dim: 3/16 Dia. x 15/32 L

Features:

- Steel
- Grip range 5/16

Solid Rivets



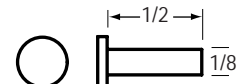
84-3900

Rivet

Dim: 1/8 Dia. x 13/32 L

Features:

- Solid copper



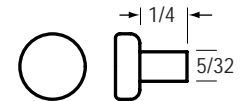
84-3908

Rivet

Dim: 1/8 Dia. x 1/2 L

Features:

- Solid copper



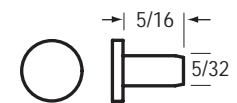
84-3902

Rivet

Dim: 5/32 Dia. x 1/4 L

Features:

- Solid copper



84-3906

Rivet

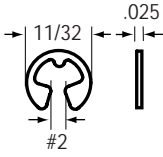
Dim: 5/32 Dia. x 5/16 L

Features:

- Steel

HARDWARE (84-, 85-)

RETAINERS



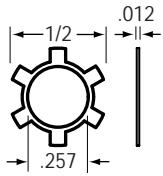
84-8910

External E-Ring

Dim: #2 ID x 11/32 OD x .025 T

Features:

- Phosphate-plated



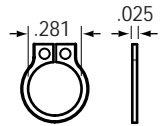
84-8907

Retainer

Dim: .257 ID x 1/2 OD x .012 T

Features:

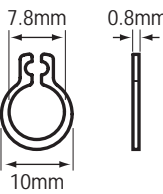
- Push-on



84-8900

External Snap Ring

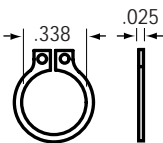
Dim: .281 ID x .025 T



84-8914

External Snap Ring

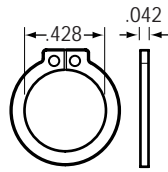
Dim: 7.8mm ID x 10mm OD x .8mm T



84-8901

External Snap Ring

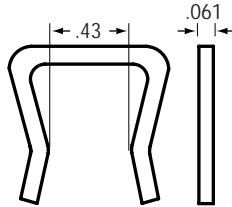
Dim: .338 ID x .025 T



84-8905

External Snap Ring

Dim: .428 ID x .042 T



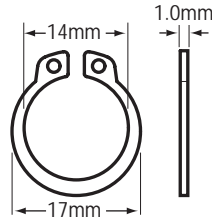
84-8903

Retainer

Dim: .43 ID x .061 T

Features:

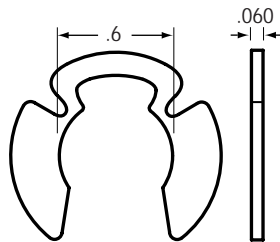
- Phosphate-plated



84-8915

External Snap Ring

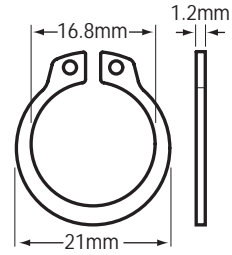
Dim: 14mm ID x 17mm OD x 1.0mm T



84-8906

External E-Ring

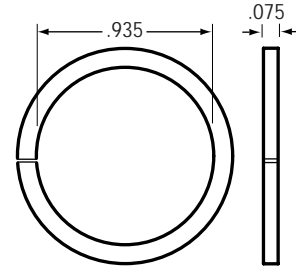
Dim: .6 ID x .060 T



84-8913

External Snap Ring

Dim: 16.8mm ID x 21mm OD x 1.2mm T

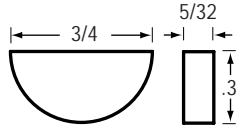


84-8909

Retaining Ring

Dim: .935 ID x .075 T

WOODRUFF KEYS



84-6900
Woodruff Key

Dim:

4mm W x 18.6mm Dia. x 7.6mm Height
5/32" W x 3/4" Dia. x .3" Height

O-RING DIMENSION CHART

Millimeters			Inches			WAI No.
ID	OD	W	ID	OD	W	
4	7.5	1.8	5/32	5/16	1/16	71-82507
4.7	8	1.7	3/16	5/16	1/16	71-1510
5	8	1.8	-	-	-	71-82502
6	9.6	1.8	1/4	3/8	1/16	71-82514
6	10	1.8	1/4	3/8	1/16	71-1504
7.6	11.2	1.8	-	-	-	71-82512
8	11.0	1.8	5/16	7/16	1/16	71-1501
9.2	12.6	1.8	3/8	1/2	1/16	71-1500
9.8	13.8	1.9	-	-	-	71-82516
15.5	20.7	2.6	5/8	13/16	3/32	71-1505
31.5	35	1.5	1-1/4	1-3/8	1/16	41-91500
39.3	44.5	2.6	1-9/16	1-3/4	3/32	41-3500
41	44.5	1.8	1-5/8	1-3/4	1/16	41-5500
47.3	52.5	2.6	1-7/8	2-1/16	3/32	71-82506
56.7	63.7	3.5	2-1/4	2-1/2	1/8	71-1506
69	73	1.8	2-3/4	2-13/16	1/16	71-82510
69.5	73.5	2	2-3/4	2-7/8	3/32	71-82504
80	83	1.5	3-1/8	3-1/4	1/16	71-83501
82	85.6	1.8	3-7/32	3-3/8	1/16	71-84500
84.5	89.7	2.5	3-5/16	3-1/2	3/32	71-1508
95	99	2	3-3/4	3-7/8	1/16	71-82513
105	112	3.5	4-1/8	4-13/32	1/8	71-1503
114.5	121	3.5	4-1/2	4-3/4	1/8	71-1509
125	130	2.5	4-15/16	5-1/8	3/32	71-1507

CONVERSION CHART - FRACTION, DECIMAL, METRIC

Fraction (in.)	Decimal (in.)	Metric (mm)	Fraction (in.)	Decimal (in.)	Metric (mm)		
	1/64	.015625	0.3969		33/64	.515625	13.0969
	1/32	.03125	0.7938		17/32	.53125	13.4938
	3/64	.046875	1.1906		35/64	.546875	13.8906
1/16	.0625	1.5875		9/16	.5625	14.2875	
	5/64	.078125	1.9844		37/64	.578125	14.6844
	3/32	.09375	2.3813		19/32	.59375	15.0813
	7/64	.109375	2.7781		39/64	.609375	15.4781
1/8	.125	3.1750		5/8	.625	15.8750	
	9/64	.140625	3.5719		41/64	.640625	16.2719
	5/32	.15625	3.9688		21/32	.65625	16.6688
	11/64	.171875	4.3656		43/64	.671875	17.0656
3/16	.1875	4.7625		11/16	.6875	17.4625	
	13/64	.203125	5.1594		45/64	.703125	17.8594
	7/32	.21875	5.5563		23/32	.71875	18.2563
	15/64	.234375	5.9531		47/64	.734375	18.6531
1/4	.25	6.3500		3/4	.75	19.0500	
	17/64	.265625	6.7469		49/64	.765625	19.4469
	9/32	.28125	7.1438		25/32	.78125	19.8438
	19/64	.296875	7.5406		51/64	.796875	20.2406
5/16	.3125	7.9375		13/16	.8125	20.6375	
	21/64	.328125	8.3344		53/64	.828125	21.0344
	11/32	.34375	8.7313		27/32	.84375	21.4313
	23/64	.359375	9.1281		55/64	.859375	21.8281
3/8	.375	9.5250		7/8	.875	22.2250	
	25/64	.390625	9.9219		57/64	.890625	22.6219
	13/32	.40625	10.3188		29/32	.90625	23.0188
	27/64	.421875	10.7156		59/64	.921875	23.4156
7/16	.4375	11.1125		15/16	.9375	23.8125	
	29/64	.453125	11.5094		61/64	.953125	24.2094
	15/32	.46875	11.9063		31/32	.96875	24.6063
	31/64	.484375	12.3031		63/64	.984375	25.0031
1/2	.5	12.7000		1	1.0	25.4000	

HARDWARE, SHOP SUPPLIES

BONDING COMPOUNDS

Epoxies



89-209

Quick Weld Compound

Dim: 1 oz. Tubes, Resin and Hardener

Features:

- Repairs iron, steel, aluminum, brass, copper, plastic and fiberglass
- Bonds, fills and seals cracked or chipped castings, weld seams and split stampings
- Can be drilled, tapped, threaded, sanded and filed
- Will not shrink, rust or corrode
- Water and oil proof
- Unaffected by most acids and solvents
- Combines strength of steel particles with bonding strength of epoxy



89-210

4 Minute Epoxy

Dim: 25 ml Syringe

Note: Not recommended for use above 200° F (90° C).

Features:

- Repairs plastic, metal, glass and ceramic
- High strength for industrial, automotive, agricultural, marine and home applications
- Sets in 4 minutes
- Pre-measured syringe ensures proper mix for consistent results

Sleeve Retaining Compounds



89-214

Sleeve Retaining Compound High Strength, Green Color

Dim: 24 ml Squeeze Bottle

Note: Equivalent to Ref# 680

Features:

- Locks and seals bearings, bushings, gears, pulleys, retaining sleeves, studs and shafts
- Retains worn parts and slip fits
- Replaces splines and keys
- Fills gaps up to .006"
- Anaerobic compound which chemically cures and hardens in the absence of air
- Provides a positive seal, resistant to lubricants & most solvents
- Fixture tight in minutes
- Operating temperature range: -75° to +450° F (-59° to +232° C)



89-219

Sleeve Retaining Compound High Strength, Green Color

Same as 89-214 except...

Dim: 250 ml Squeeze Bottle

Threadlocking Compounds



89-211

Threadlocking Compound Medium Strength, Blue Color

Dim: 24 ml Squeeze Bottle

Note: Equivalent to Ref# 242

Features:

- Prevents nuts, bolts, and other fasteners from loosening due to vibration
- Can be removed with hand tools
- Fills gaps up to .006"
- Anaerobic compound which chemically cures and hardens in the absence of air
- Provides a positive seal, resistant to lubricants & most solvents
- Protects against thread corrosion
- Fixture tight in minutes
- Operating temperature range: -75° to +300° F (-59° to +149° C)



89-216

Threadlocking Compound Medium Strength, Blue Color

Same as 89-211 except...

Dim: 250 ml Squeeze Bottle

BONDING COMPOUNDS

Threadlocking Compounds (cont'd.)



89-212

Threadlocking Compound High Strength, Red Color

Dim: 24 ml Squeeze Bottle

Note: Equivalent to Ref# 262

Features:

- Locks and seals nuts, bolts, and other fasteners where high strength is required to withstand heavy shock, vibration and corrosive environments
- Removable with heat and hand tools
- Fills gaps up to .008"
- Anaerobic compound which chemically cures and hardens in the absence of air
- Provides a positive seal, resistant to lubricants & most solvents
- Protects against thread corrosion
- Fixture tight in minutes
- Operating temperature range: -75° to +300° F (-59° to +149° C)

EMERY CLOTH



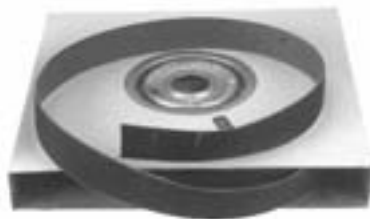
89-650

Emery Cloth 60 Grit, Coarse

Dim: 2" Width, 50-Yard Roll

Features:

- Removes rust
- Ideal for armature laminations & rotor poles



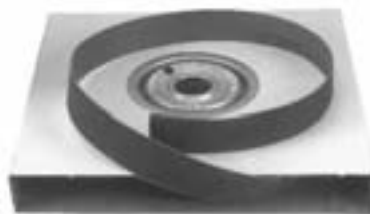
89-651

Emery Cloth 80 Grit, Medium

Dim: 1" Width, 50-Yard Roll

Features:

- Removes rust
- Ideal for armature laminations & rotor poles



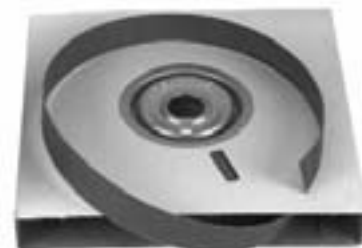
89-652

Emery Cloth 120 Grit, Fine

Dim: 1" Width, 50-Yard Roll

Features:

- Removes rust, polishes & dresses
- Ideal for shafts



89-653

Emery Cloth 400-Grit, Extra Fine

Dim: 1" Width, 50-Yard Roll

Features:

- Removes rust, polishes & dresses
- Ideal for shafts, commutators & slip rings

GREASE & LUBRICANTS

Bearing Greases



89-250

Chevron SRI-2 Bearing Grease Hi-Temperature, Hi-Speed, OEM-Approved

Dim: 14 oz. Cartridge

Features:

- Used by OE manufacturers as a 'factory pack' anti-friction bearing lubricant for automotive & industrial bearings
- Provides excellent lubrication of ball & roller bearings, operating over a broad temperature range (-22° to +300° F; -30° to +150° C)
- Particularly outstanding at high speeds, high temperatures & moist conditions, especially where there is the possibility of salt water entering the bearing
- Compatible with other types of ball bearing greases



89-251

Chevron SRI-2 Bearing Grease Hi-Temperature, Hi-Speed, OEM-Approved

Same as 89-250 except...

Dim: 35 lb. Container



89-269

Clear Bearing Grease

Dim: 1 lb. Container

Features:

- Multi-purpose lubricant with Teflon
- Temperature range -45° to +450° F (-42° to 232° C)
- Will not melt, freeze or separate
- Impervious to salt water and road salt
- Dielectric
- Non-toxic, clean & clear - will not stain
- Outlasts conventional lubricants



89-278

Dielectric Grease

Same as 89-266 except...

Dim: 39 lb. Pail



89-268

White Lithium Grease

Dim: 16 oz. Container

Features:

- General purpose white lubricant that protects against rust and corrosion
- Makes contact surfaces friction-free
- Non-toxic, non-flammable
- Will not stain
- Resists moisture and high heat

Dielectric Greases



89-266

Dielectric Grease

Dim: 5 oz. Tube

Features:

- Promotes proper connection between regulator plug and wiring harness
- Reduces risk of contact resistance
- Prevents terminal corrosion
- OE equivalent
- Maintains its consistency in extreme temperatures from -65° to 400° F (-55° to 204° C)
- Meets Mil-S-8660C requirements



89-253

Tool Crib Crystal TFE Lube

Dim: 20 oz. Can, Net Wt. 14 oz.

Note: A clear all purpose aerosol lubricant that withstands pressure from heavy loads and high RPM's within a wide temperature range. Provides superior lubrication on all metal to metal contact points. Ideal for armature shafts, bushing surfaces, solenoid plungers, corroded pulleys, rusted end frames, tools & equipment

Features:

- Optimum protection from friction - protects similar to Teflon
- Excellent rust resistance and superior corrosion protection
- Penetrates and clings with excellent water wash off resistance
- Mfd. for WAI by Seymour



89-252

Heat Transfer Grease

For: Delco 25SI, AD230, AD237, AD244, CS121, CS121D, CS130, CS130D Series; Ford 2G, 3G, 6G Series; Chrysler 40/90, 50/120A; Hitachi IR/IF; Prestolite ANB Series Alternators

Dim: 5 oz. Tube

Features:

- Promotes necessary heat transfer from the rectifier to the end frame
- Prevents 'hot spots' that cause premature diode failure



89-270

Dielectric Grease

Same as 89-266 except...

Dim: Gel capsule, single application

package for ease of use by the installer



89-271

Heat Transfer Grease

Same as 89-252 except...

Dim: 26 oz. Cartridge

Note: For use in caulk gun (not included). Includes cap to seal tube when not in use.

General Purpose

Heat Transfer Greases

SHOP SUPPLIES (89-)

GREASE & LUBRICANTS

Heat Transfer Greases (cont'd.)



89-272

Heat Transfer Grease

Same as 89-252 except...
Dim: 32 oz. Container



89-275

Heat Transfer Grease

Same as 89-252 except...
Dim: 5 gallon Pail



CH104S

(Ref# 89-277)

Heat Transfer Grease

Same as 89-252 except...
Dim: 1.5 oz. Syringe

Solenoid Greases



89-273

Grease - Solenoid Plunger Bore

Replaces: GM 10477431, 10477434

Dim: 1 oz. Tube

Note: Special formulated grease to be applied 1/2" (13mm) from the opening to the inside of the solenoid plunger bore as described in GM Service Bulletin# 338113 (11/93)

Features:

- Mfd. by OE Supplier
- Helps prevent plunger from sticking in the plunger bore
- Synthetic lubricant provides excellent wide temperature lubricating characteristics



89-276

Grease - Solenoid Plunger Bore

Same as 89-273 except...

Dim: 1 lb. Container

PACKAGING

Boxes - Alternator



89-100

Alternator Box

For: Automotive Alternators

Dim: 6-7/8" L x 6-7/8" W x 6-7/8" D (Inside)

Features:

- 200 lb. test, self-locking
- White corrugated, imprinted w/ space for part number



89-102

Heavy Duty Alternator Box

For: Delco 20SI, 21SI, 27SI, 29SI Series IR/EF; Ford 1G Series, 70-100A ER/EF, Ford Truck Alternators; Prestolite ANB Series Alternators

Dim: 9-1/4" L x 8-5/16" W x 7-1/8" D (Inside)

Features:

- 200 lb. test, self-locking
- White corrugated, imprinted w/ space for part number

Boxes - Starter



89-106

Heavy Duty Alternator Box

- For:** Delco 25SI, 30SI Series; Leece-Neville 2300-2800JB Series Alternators
Dim: 12-3/8" L x 8" W x 7-11/16" D (Inside)
Features:
- 250 lb. test, self-locking
 - Tan corrugated, imprinted w/ space for part number



89-107

Alternator Box

- For:** Delco CS144, 17SI Series IR/EF Alternators
Dim: 8-1/4" L x 7" W x 6-1/2" D (Inside)
Features:
- 200 lb. test, self-locking
 - White corrugated, imprinted w/ space for part number



89-109

Alternator Shipping Carton

- Dim:** 22-1/4" L x 16-3/4" W x 8-3/8" D (Inside)
Note: Ideal for shipping 6-boxed alternators



89-101

Starter Box

- For:** Automotive Starters
Dim: 11-1/2" L x 6-3/4" W x 5-3/8" D (Inside)
Note: Ideal size for automotive field coil style starters. For smaller size box for late style PMGR starters use 89-111.
Features:
- 200 lb. test, self-locking
 - White corrugated, imprinted w/ space for part number



89-103

Heavy Duty Starter Box Kit

- For:** Delco 40MT, 42MT Series DD Starters
Dim: 21" L x 9" W x 6-3/8" D (Inside)
Components:
 89-904 Starter Box
 89-906 Cardboard Tube
Features:
- Double-wall 275 lb. test with full top & bottom flaps
 - Includes 2 inserts for extra strength at box ends
 - Includes 89-906 cardboard tube to prevent battery post from puncturing end of box
 - Provides excellent protection for shipping 40MT starters



89-108

Starter Box

- For:** Delco 28MT Series OSGR Starters
Dim: 13-3/8" L x 7-1/4" W x 4-5/8" D (Inside)
Features:
- 200 lb. test, self-locking
 - White corrugated, imprinted w/ space for part number



89-111

Starter Box

- For:** Automotive Starters
Dim: 9-3/4" L x 6" W x 4-1/2" D (Inside)
Note: Smaller size box, ideal for late model PMGR style starters. For larger size automotive starters use 89-101.
Features:
- 200 lb. test, self-locking
 - White corrugated, imprinted w/ space for part number



89-904

Heavy Duty Starter Box

- For:** Delco 40MT, 42MT Series DD Starters
Dim: 21" L x 9" W x 6-3/8" D (Inside)
Note: Included in 89-103 Heavy Duty Starter Box Kit.
Features:
- Double-wall 275 lb. test with full top & bottom flaps

SHOP SUPPLIES (89-)

PACKAGING

Miscellaneous Packaging



89-900

Spacer - Packaging

For: Delco 20SI, 21SI, 22SI, 23SI, 25SI, 26SI, 27SI/Type 200, 29SI, 30SI Series IR/EF Alternators

Dim: 25mm ID x 31mm OD x 38mm L
Note: Paper-tube used to secure fan when testing & packaging heavy-duty Delco alternators wo/ pulley.



89-901

Spacer - Packaging

For: Ford 1G Series Truck 65-90A, 1G Series Blue Back Truck 75-90A ER/EF Alternators

Dim: 22.4mm ID x 25.4mm OD x 19mm L
Note: Paper-tube used to secure fan when testing & packaging alternators wo/ pulley.



89-902

Spacer - Packaging

For: Delco 10SI, 12SI, 15SI, 17SI, 27SI/Type 100, CS121, CS130, CS144 Series IR/EF Alternators; Ford 1G Series ER/EF, 2G Series IR/EF, 3G Series IR/IF Alternators

Dim: 19mm ID x 22.4mm OD x 19mm L
Note: Paper-tube used to secure fan when testing & packaging alternators wo/ pulley. For metal version use 46-2602.



89-903

Nylon Wire Tie

Dim: 4" OAL, 15/16" Max. Bundle Dia.



89-906

Cardboard Tube

For: Delco 37MT, 40MT, 42MT Series DD Starters

Note: Prevents battery post from puncturing end of box. Included in 89-103 starter box kit.



89-907

Brush Retainer

For: Delco 5MT, SD200, SD250 Series DD Starters

Dim: 44.5mm (1-3/4") OD

Note: Used to secure brushes in field case assy. during handling and installation.



89-913

Caution Tag

For: Delco 21SI, 22SI, 27SI/Type 200 Alternators wo/ Pulley

Note: When alternators do not have the pulley installed, the rotor is free to move. This allows the slip ring to contact the S.R.E. frame. If the pulley is installed with the unit in the vertical position, the slip ring may be pushed back and grounded against the rotor pole piece.

Features:

- Cautions the installer to remove pulley nut with the unit in horizontal position only

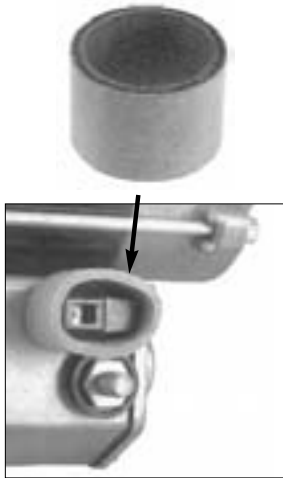


89-914

Brush Retainer

For: Delco AD230, AD237, AD244, CS130D Series IR/IF Alternators

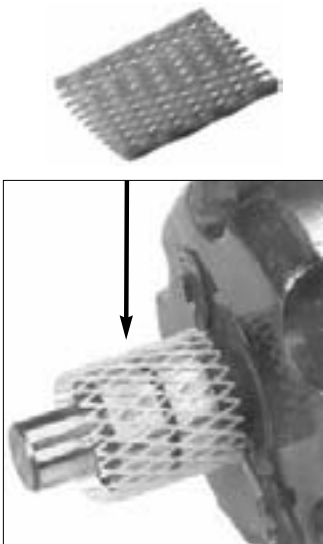
Note: Used in 39-109 brush holder assys.



89-915

Paper Tube - Switch Term.

For: Nippondenso OSGR Starters
Dim: 26mm ID x 32mm OD x 22mm L
Note: Fits over switch terminal to protect against damage from shipping



89-916

Protective Mesh - Slip Ring

For: Bosch IR/EF; Delco 10-17SI, 21SI, 27SI, CS121, CS130, CS144 Series; Ford 1G, 2G, 3G Series Alternators; Motorola, Leece-Neville, Prestolite & others
Dim: 26mm ID x 32mm OD x 22mm L
Note: Used to protect slip ring from shipping and handling damage

SOLDER



89-601
Solder Wire
60/40

Dim: 1lb Spool

SPRAY PAINTS & VARNISHES

Sealers & Insulating Varnishes



89-704-1

Red Insulating Enamel

Dim: 20 oz. Can, Net Wt. 16 oz.

Features:

- Quick-drying
- Dries to tough glossy and flexible film
- Specially formulated for use on electrical components
- High arc resistance and dielectric strength
- Excellent protective coating for insulating armatures, field coils
- Mfd. for WAI by Seymour
- Packaged 12 cans per case



89-726-1

Orange Tinted Sealer

Dim: 20 oz. Can, Net Wt. 15 oz.

Features:

- Prevents rust & corrosion
- Excellent dielectric strength
- Excellent for coating stators, ignition and electrical systems
- Waterproofs & seals electrical connections
- Dries to a translucent semi-gloss finish with a light orange tint
- Mfd. for WAI by Seymour
- Packaged 12 cans per case



89-731

Clear Insulating Varnish

Dim: 20 oz. Can, Net Wt. 15 oz.

Features:

- Quickly dries to tough glossy and flexible film
- Specially formulated for use on electrical components providing high arc resistance and dielectric strength
- Excellent protective coating for insulating armatures, field coils
- Provides improved & renewed appearance of windings
- Mfd. for WAI by Seymour
- Packaged 12 cans per case

89-732

Green Insulating Varnish

Same as 89-731 except green color to match Delco field coils and Hitachi stators.

SPRAY PAINTS & VARNISHES

Spray Paints



Enamels & Lacquers

Dim: 16 oz. Can, Net Wt. 12.0 oz.

Features:

- Quick-drying
- Color of cap matches contents of can
- Environmentally friendly; does not contain lead, CFC's, chromates or chlorinated solvents
- Mfd. for WAI by Seymour
- Packaged 12 cans per case

89-703-1

Chrome Aluminum Lacquer

89-707-1

Tool Gray Enamel

89-710-1

Gloss Black Enamel

89-711-1

Flat Black Enamel

89-712-1

Satin Black Enamel

89-720-1

Gold Metallic Enamel

89-723-1

Gun Metal Gray Lacquer

89-728-1

Dull Aluminum Lacquer



89-702-1

Cast Iron Lacquer

Dim: 16 oz. Can, Net Wt. 12.0 oz.

Features:

- Extremely quick-drying
- Developed for engine blocks, cylinder heads and other cast iron surfaces
- Makes cast iron look 'like new' with a durable cast iron gray finish
- Made to withstand high engine heat in automotive & industrial applications
- Environmentally friendly; does not contain lead, CFC's, chromates or chlorinated solvents
- Mfd. for WAI by Seymour
- Packaged 12 cans per case



89-721-1

Clear Acrylic Lacquer

Dim: 16 oz. Can, Net Wt. 12.0 oz.

Features:

- Forms a crystal clear protective coating to seal & preserve metal, wood, paper, leather surfaces
- Used to moisture-proof electrical & electronic components
- Protects against rust, corrosion, tarnish, fungus, chemicals & grease
- Environmentally friendly; does not contain lead, CFC's, chromates or chlorinated solvents
- Mfd. for WAI by Seymour
- Packaged 12 cans per case



89-729

Aluminum Match Lacquer

Dim: 16 oz. Can, Net Wt. 12.0 oz.

Features:

- Extremely quick-drying
- Formulated to exact match of aluminum
- Non-smudge formula
- Excellent on alternators, starters, power steering racks, transmissions or any aluminum surfaces
- Color of cap matches contents of can
- Environmentally friendly; does not contain lead, CFC's, chromates or chlorinated solvents
- Mfd. for WAI by Seymour
- Packaged 12 cans per case



89-730

Stainless Steel

Dim: 16 oz. Can, Net Wt. 12.0 oz.

Features:

- Quick-drying
- Classic appearance
- Rust-proof 100% stainless steel pigment
- Protects from weather, oil, water
- Dries to satin sheen finish
- Perfect for automotive, tools, machinery
- Mfd. for WAI by Seymour
- Packaged 12 cans per case

TAPE



89-402

Insulating Tape - Field Coils

Replaces: Ref# SA-1108

Dim: 3/4" Width, 36-Yard Roll, White Cotton

TOOLS



88-716

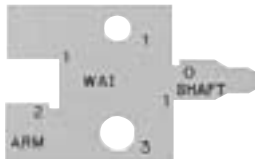
Brush Plate

For: Leece-Neville JB Series IR/EF Alternators

Note: Temporarily replaces regulator allowing alternators to be operated on test bench without regulator.

Features:

- Eliminates the regulator/ diode trio from the circuit to assist in determining problems
- Allows field current to be measured in an operating alternator
- Useful in checking for flying shorts in the rotor



88-734

Gauge Tool

For: Ford PMGR Starters

Note: Identifies 1st or 2nd production armatures and drive shafts and which ball is right for the armature and drive shaft combinations used in the unit. Included in 79-2825, 79-2826 Ball Kits.



88-733

Brush Holder Tool

For: Delco CS130D Series IR/IF Alternators

Note: Use to install brush holder into SRE frame

Solenoid Tools



88-718

Solenoid Coil Tool

For: Nippondenso 1.0kW, 1.4kW, 2.0kW, 2.5kW OSGR Starters

Note: For replacement tip on restaking tool use 88-720

Features:

- Allows economical repair and replacement of solenoid coils
- Quickly and easily removes and restakes coils in original manner
- Removes coil without distortion or damage to solenoid housing
- No need to drill, tap or add screws
- Saves time and money on reclaimed cores



88-720

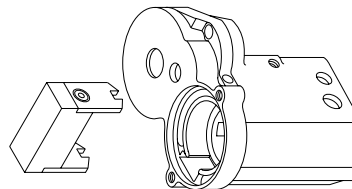
Replacement Tip - Solenoid Tool

Note: Used in 88-718 solenoid coil tool

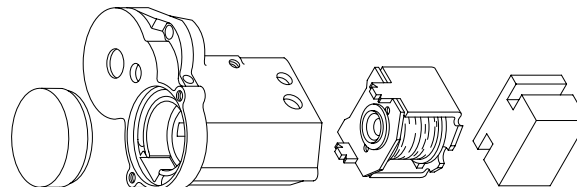
Features:

- Tool steel (Grade 1)
- Heat-treated

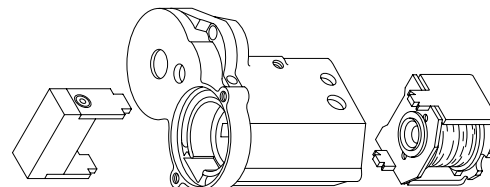
88-718 SOLENOID COIL TOOL FOR NIPPONDENSO OSGR STARTERS



Unsolder, remove all terminals & press out old coil assembly.



Press in new coil assembly.



Restake new coil assembly in place.

SHOP SUPPLIES (89-)

Stator Tools



88-721
Stator Puller

For: Nippondenso IR/IF Alternators

Removes:

100mm OD stator w/ 76mm ID (45-50A)

110mm OD stator w/ 83mm ID (60A)

118mm OD stator w/ 90mm ID (70A)



88-722
Stator Tool Plates

For: Nippondenso 40/90, 50/120A ER/IF Alternators

Used On: Chrysler

Removes:

118mm OD stator w/ 92mm ID (90A)

130mm OD stator w/ 102mm ID (120A)



88-730
Stator Tool Plate

For: Delco CS130D Series 100-105A* IR/IF Alternators

Note: Used to remove stator from D.E. frame. Includes pressure screw adapter for 17mm brg. bore. Used w/ 88-731 pressure screw.

*88-730 does not fit 102, 110 Amp CS130D Series.



88-731
Pressure Screw- Stator Plates

For: Delco CS130D Series, Nippondenso IR/IF Alternators

Note: Included w/ 88-721.

Used w/ 88-722, 88-730.

DRIVES & SOLENOIDS - ACCURATE & WAI to CATALOG#

Part#	Catalog#	Page	Part#	Catalog#	Page	Part#	Catalog#	Page	Part#	Catalog#	Page
4-121C	4-121C	590	4-358	54-149-5	590	4-649	4-649	615	4-783	4-783	613
4-131C	4-131C	591	4-359	4-359	594	4-649	54-8207-1	615	4-784	4-784	613
4-209LH	4-209LH	576	4-359	54-216-1	594	4-666	4-666	571	4-786	4-786	612
4-210	4-210B	576	4-361	4-361	582	4-670	4-670	603	4-788	4-788	618
4-210	4-213	576	4-361	54-8408-5	582	4-670	54-9200-1	603	4-791	4-791	622
4-210	54-101-2	576	4-362	4-362	582	4-671	4-671	604	4-792	4-792	574
4-212	4-212	577	4-363	4-363	582	4-673	4-673	567	4-795	4-795	574
4-213	4-210B	576	4-364	4-364	582	4-673	54-9108-1	567	4-796	4-796	575
4-213	4-213	576	4-364	54-8411-5	582	4-674	4-674	568	4-798	4-798	600
4-213	54-101-2	576	4-375	4-375	589	4-674	54-9121-1	568	4-798	54-81201-5	600
4-221	4-221	577	4-375	54-155-1	589	4-675	4-675	568	4-798	4-798C	596
4-236	4-236	591	4-376	4-376	589	4-675	54-9123-2	568	4-800	4-800	623
4-238	4-238	591	4-376	54-156-1	589	4-678	4-678	596	4-801	4-801	623
4-242	4-242	591	4-377	4-377	589	4-678	54-8104-5	596	4-802	4-802	622
4-242	54-204-5	592	4-377	54-157-1	589	4-679	4-679	569	4-803	4-803	623
4-267	4-267	577	4-378	4-378	589	4-681	4-681	565	4-807	4-807	604
4-279	4-279	578	4-378	54-168-1	589	4-682	4-682	617	4-808	4-808	604
4-282	4-282	578	4-380	4-380	589	4-683	4-683	603	4-810	4-810	604
4-291	4-291	578	4-380	54-166-5	589	4-684	4-684	568	4-810	54-9204-5	604
4-291	54-138-2	578	4-400	4-400	569	4-691	4-691	615	4-814	4-814	614
4-294	4-294	579	4-413	4-413	564	4-692	4-692	594	4-816	4-816	569
4-302	4-302	579	4-415	4-415	564	4-692	54-8101-1	594	4-817	4-817	565
4-304	4-304	577	4-416	4-416	615	4-694	4-694	596	4-818	4-818	565
4-305	4-305	575	4-416	54-8205-1	615	4-694	54-8100-1	596	4-820	4-820	598
4-305	54-100	575	4-417	4-417	615	4-699	4-699	610	4-822	4-822	565
4-307	4-307	575	4-417	54-8208-1	615	4-700	4-700	610	4-823	4-823	569
4-307	54-135-5	575	4-420	4-420	636	4-701	4-701	611	4-827	4-827	571
4-308	4-308	575	4-421	4-421	595	4-701	54-8303-5	611	4-828	4-828	571
4-308	4-308C	576	4-457	4-457	580	4-725	4-725	621	4-830	4-830	591
4-310	4-310	579	4-457	54-109-1	580	4-725	54-82201-5	621	4-835	4-835	573
4-310	54-137-2	579	4-465	4-465	625	4-727	4-727	600	4-835	54-9109-1	573
4-311	4-311VN	585	4-472	4-472	625	4-734	4-734	596	4-837	4-837	571
4-319	4-319	588	4-472	54-118-2	625	4-737	4-737	565	4-837	54-9151-1	571
4-319	54-152-1	588	4-479	4-479VN	580	4-738	4-738	600	4-838	4-838	572
4-320	4-320	588	4-482	4-482VN	580	4-738	54-81200-5	600	4-838	54-9153-1	572
4-320	54-140-5	588	4-486	4-486	585	4-740	4-740	616	4-839	4-839	566
4-321	4-321	588	4-486	54-123-3	585	4-741	4-741	570	4-841	4-841	568
4-321	54-141-5	588	4-487	4-487	587	4-742	4-742	565	4-842	4-842	573
4-324	4-324	590	4-487	54-153	587	4-742	54-9140-2	565	4-850	4-850	568
4-324	54-149-5	590	4-488	4-488	587	4-743	4-743	571	4-851	4-851	619
4-325	4-325	602	4-488	54-114-2	587	4-743	54-9114-2	571	4-854	4-854	566
4-327	4-327	581	4-488	4-488-118	625	4-745	4-745	610	4-856	4-856	566
4-327	54-8406-1	581	4-489	4-489	585	4-745	54-8300-5	610	4-857	4-857	566
4-328	4-328	581	4-489	54-124-3	585	4-746	4-746	624	4-858	4-858	595
4-329	4-329	581	4-491	4-491	587	4-746	54-82207	624	4-860	4-860	568
4-329	54-8407-1	581	4-491	54-154-2	587	4-748	4-748	623	4-869	4-869	616
4-335	4-335	582	4-492	4-492	586	4-748	54-82203-1	623	4-872	4-872	616
4-336	4-336	582	4-494	4-494	581	4-749	4-749	621	4-872	54-8232-5	616
4-337	4-337	583	4-497	4-497	586	4-750	4-750	595	4-875	54-8234-1	615
4-337	4-337-DR	583	4-497	54-125-2	586	4-751PS	54-81207	601	4-876	4-876	608
4-337	54-131-5	583	4-596	4-596	598	4-752	4-752	633	4-876	54-8319-1	608
4-338	4-338	583	4-596	54-8152-5	598	4-756	4-756	607	4-877	4-877	608
4-338	54-132-5	583	4-601	4-601	564	4-756	54-8313-1	607	4-881	4-881	607
4-338	4-338-DR	583	4-602	4-602	564	4-757	4-757	609	4-882	4-882	609
4-340	4-340	592	4-604	4-604	569	4-757	54-8314-1	609	4-882	54-8325-1	609
4-341	4-341B	592	4-608	4-608	564	4-758	4-758	609	4-896	4-896	594
4-344	4-344	570	4-610	4-610	570	4-758	54-8315-1	609	4-897	4-897	596
4-345	4-345	563	4-611	4-611	564	4-760	4-760	610	4-899	4-899	597
4-345	54-9129-1	563	4-614	4-614	567	4-764	4-764	611	4-899PS	4-899PS	601
4-346	4-346	569	4-615	4-615	608	4-766	4-766	603	4-900	4-900	599
4-348	4-348	579	4-615	54-8305-1	608	4-768	4-768	603	4-901	4-901	597
4-352	4-352	592	4-616	4-616	606	4-768	54-9213-5	603	4-902	4-902	598
4-352	54-202-5	592	4-616	54-8304-1	606	4-769	4-769	606	4-905	4-905	597
4-353	4-353B	592	4-619	4-619	595	4-769P	4-769P	606	4-905PS	4-905PS	601
4-354	4-354	592	4-621	4-621	596	4-771	4-771	624	4-905PS	54-81204-1	601
4-355	4-355	593	4-626	4-626	605	4-771	54-82202-1	624	4-906	4-906	597
4-355	54-212-2	593	4-627	4-627	607	4-772	4-772	612	4-906	54-8135-5	597
4-356	4-356	593	4-627	54-8306-1	607	4-772	54-83401-1	612	4-908	4-908	597
4-356	54-214-1	593	4-632	4-632	602	4-776	4-776	612	4-910	4-910	595
4-357	4-357	594	4-641	4-641	603	4-777	4-777	611	4-910	54-8138-1	595
4-357	54-215-1	594	4-642	4-642	603	4-777	54-8320-5	611	4-910PS	4-910PS	601
4-358	4-358	590	4-642	54-9202-2	603	4-778	4-778	608	4-911	4-911	599

INTERCHANGE - ACCURATE & WAI

DRIVES & SOLENOIDS - ACCURATE & WAI to CATALOG#

INTERCHANGE - ACCURATE & WAI

Part#	Catalog#	Page	Part#	Catalog#	Page	Part#	Catalog#	Page	Part#	Catalog#	Page
4-911PS	54-81208	601	4-1072	4-1072	600	7-696	7-696	504	7-786	7-786	494
4-912	4-912	597	4-1072	54-81400-1	600	7-696	7-696B	504	7-786	66-8325	494
4-914	54-8134-1	595	4-1074	4-1074	612	7-696	66-9427	504	7-787	7-787	485
4-922	4-922	615	4-1080	4-1080	584	7-707	66-9168	446	7-788	66-8308-2	491
4-925	4-925	599	4-1083	4-1083	598	7-708	7-708	443	7-789	7-789	489
4-929	4-929	572	4-1084	4-1084	594	7-708	66-9164	443	7-789	66-8305-1	489
4-929	54-9150-2	572	4-1084	54-8153-3	594	7-709	7-709	433	7-790	7-790	489
4-931	4-931	604	4-1087	4-1087	581	7-710	7-710	494	7-790	66-8313-2	489
4-934	4-934	573	4-1088	4-1088	602	7-710	66-8349	494	7-791	7-791	505
4-934	54-9179-1	573	4-1089	4-1089	641	7-719	7-719	466	7-792	7-792	470
4-939	4-939	613	4-1090	4-1090	634	7-721	7-721	438	7-792	66-8113-2	470
4-949	4-949	607	4-1091	4-1091	599	7-726	7-726	437	7-793	7-793	475
4-972	4-972	633	4-1092	4-1092	600	7-726	66-9118-1	437	7-793	66-8110-5	475
4-973	4-973	633	4-1093	4-1093	598	7-727	7-727	437	7-794	7-794	434
4-974	4-974	570	4-1094	4-1094	599	7-727	66-9119-1	437	7-794	66-9123-1	434
4-974	54-9183-1	570	4-1096	4-1096	595	7-728	7-728	438	7-795	7-795	434
4-1000	4-1000	620	4-1097	4-1097	619	7-728	66-9110-2	438	7-795	66-9121-5	434
4-1001	4-1001	623	4-1097	54-8218	619	7-737	66-9175	442	7-797	7-797	480
4-1001	54-82215-5	623	4-1098	4-1098	624	7-739	7-739	436	7-797	66-9211-2	480
4-1011	4-1011	614	4-1098	54-82216-5	624	7-740	7-740	433	7-798	7-798	437
4-1014	4-1014	570	4-1099	4-1099	622	7-740	66-9105	433	7-798	66-9106-1	437
4-1014	54-9167-1	570	4-1099	54-82217-1	622	7-741	7-741	443	7-799	7-799	485
4-1015	4-1015	609	4-1100	4-1100	622	7-741	66-9155	443	7-799	66-8306	485
4-1015	54-8327-1	609	4-1101	4-1101	624	7-742	66-9162	441	7-805	7-805	439
4-1016	4-1016	609	4-1102	4-1102	618	7-743	7-743	436	7-805	66-9129	439
4-1016	54-8336-1	609	4-1103	4-1103	620	7-743	66-9140-1	436	7-808	7-808	439
4-1017	4-1017	608	4-1105	4-1105	621	7-744	7-744	443	7-808	66-9125	439
4-1017	54-8338-1	608	4-1106	4-1106	617	7-744	66-9147	443	7-809	7-809	439
4-1020	4-1020	625	4-1106	54-8244-1	617	7-745	7-745	443	7-809	66-9128	439
4-1030	4-1030	612	4-1109	4-1109	613	7-745	66-9146-5	443	7-810	7-810	440
4-1030	54-83415-1	612	4-1111	4-1111	611	7-746	7-746	444	7-810	66-9180	440
4-1030P	4-1030P	613	4-1112	4-1112	611	7-746	66-9163-2	444	7-814	7-814	440
4-1030P	54-83218-5	613	4-1113	4-1113	611	7-747	7-747	434	7-814	66-9183	440
4-1032	4-1032	563	4-1114	4-1114	612	7-747	66-9111-1	434	7-816	7-816	433
4-1032	54-9160-1	563	4-1115	4-1115	612	7-749	7-749	439	7-817	7-817	433
4-1034	4-1034	618	4-1116	4-1116	613	7-750	7-750	483	7-818	7-818	434
4-1035	4-1035	617	4-1116	54-83414-1	613	7-750	66-8502	483	7-818	66-9100-2	434
4-1036	4-1036	616	4-1117	4-1117	613	7-751	7-751	499	7-819	7-819	444
4-1036	54-8235-1	616	4-1118	4-1118	606	7-751	66-8210	499	7-819	7-819-HD	444
4-1038	4-1038	618	4-1119	4-1119	572	7-752	7-752	479	7-819	66-9132-2	444
4-1041	4-1041	572	4-1120	4-1120	570	7-753	7-753	479	7-819	66-9182-2	444
4-1041	54-9184-1	572	4-1121	4-1121	566	7-753	66-9209-5	479	7-822	7-822	470
4-1044	4-1044	573	4-1122	4-1122	605	7-755	7-755	479	7-822	66-8105-1	470
4-1045	4-1045	618	4-1151	4-1151	574	7-755	66-9205-1	479	7-823	7-823	471
4-1045	54-8226-3	618	7-668	7-668	493	7-756	7-756	479	7-823	66-8102	471
4-1046	4-1046	598	7-668	66-8350-2	493	7-757	7-757	479	7-826	7-822	470
4-1047	4-1047	599	7-669	7-669	469	7-757	66-9202	479	7-826	66-8105-1	470
4-1050	4-1050	593	7-669	66-8116	469	7-759	7-759	474	7-831	7-831	471
4-1050	54-2400-1	593	7-670	7-670	473	7-759	66-8128-5	474	7-831	66-8111-5	471
4-1051	4-1051	593	7-670	66-8152-1	473	7-760	7-760	484	7-838	7-838	480
4-1051	54-2200-1	593	7-673	7-673	469	7-760	66-8300-2	484	7-839	7-839	480
4-1052	4-1052	593	7-673	66-8149-1	469	7-761	7-761	470	7-840	7-840	480
4-1056	4-1056	623	7-676	7-676	469	7-761	66-8118	470	7-840	66-9207-5	480
4-1057	4-1057	618	7-676	66-8146	469	7-762	66-8101	473	7-844	7-844	499
4-1057	54-8237-1	618	7-680	7-680	477	7-763	7-763	470	7-846	7-846	500
4-1058	4-1058	610	7-680	66-8138-2	477	7-763	66-8114-1	470	7-846	66-8203	500
4-1058	54-8335-5	610	7-681	7-681	477	7-767	7-767	482	7-848	7-848	500
4-1059	4-1059	614	7-681	66-8135	477	7-767	66-9303-1	482	7-850	7-850	440
4-1061	4-1061	614	7-684	7-684	474	7-768	7-768	482	7-851	7-851	440
4-1062	4-1062	620	7-684	66-8144	474	7-768	66-9302-1	482	7-851	66-9131	440
4-1063	4-1063	620	7-685	7-685	474	7-776	7-776	504	7-852	7-852	441
4-1064	4-1064	620	7-685	66-8143	474	7-778	7-778	494	7-852	66-9157	441
4-1065	4-1065	608	7-686	7-686	474	7-778	66-8344	494	7-853	7-853	444
4-1066	4-1066	609	7-686	66-8145	474	7-781	7-781	485	7-853	66-9126-2	444
4-1066	54-8337-1	609	7-687	7-687	477	7-781	66-8307-1	485	7-853	66-9126-3	445
4-1067	4-1067	572	7-687	66-8136-2	477	7-782	7-782	488	7-858	7-858	497
4-1068	4-1068	572	7-688	7-688	477	7-783	7-783	488	7-858	66-8400-2	497
4-1068	54-9190-2	572	7-688	66-8137	477	7-783	66-8338	488	7-859	7-859	497
4-1070	4-1070	574	7-690	7-690	484	7-784	7-784	488	7-859	66-8402-2	497
4-1070	54-9192-2	574	7-694	7-694	482	7-784	66-8331-1	488	7-861	7-861	500
4-1071	4-1071	620	7-694	66-8503-3	482	7-785	7-785	494	7-861	66-8209-2	500
4-1071	54-82401-1	620	7-694	7-694	482	7-785	66-8328	494	7-861	66-8209-3	500

DRIVES & SOLENOIDS - ACCURATE & WAI to CATALOG#

Part#	Catalog#	Page	Part#	Catalog#	Page	Part#	Catalog#	Page	Part#	Catalog#	Page
7-862	7-862	485	7-943	66-114-2	460	7-999	7-999	449	7-1104	7-1104	495
7-862	66-8326-2	485	7-945	7-945	452	7-999	66-101-6	448	7-1104	66-8364	495
7-862	66-8326-3	485	7-945	7-945B	452	7-999K	7-999K	450	7-1105	7-1105	495
7-863	7-863	486	7-945	66-103	452	7-1002	7-1002	510	7-1105	66-8365	495
7-863	66-8327	486	7-946	7-946	452	7-1003	7-1003	510	7-1107	7-1107	445
7-863	66-8327-3	486	7-946	7-946B	452	7-1004	7-1004	466	7-1107	66-9187-5	445
7-864	7-864	471	7-946	66-122	452	7-1005	7-1005	508	7-1108	7-1108	455
7-864	66-8120	471	7-949	7-949	454	7-1007	7-1007	509	7-1108	66-135-1	455
7-864	66-8120-3	471	7-949	66-119-1	454	7-1013	7-1013	505	7-1119	7-1119	445
7-865	7-865	483	7-951	7-951	452	7-1017	7-1017	506	7-1119	66-9169	445
7-865	66-8501	483	7-951	7-951B	452	7-1017	67-702	506	7-1121	7-1121	459
7-866	7-866	483	7-951	66-102	452	7-1018	7-1018	506	7-1122	7-1122	460
7-866	66-8500-2	483	7-952	7-952	454	7-1019	7-1019	506	7-1124	7-1124	456
7-866	66-8500-3	483	7-952	66-104-1	454	7-1020	7-1020	506	7-1124	66-105-2	456
7-869	7-869	500	7-953	7-953	454	7-1020	67-703-1	506	7-1125	7-943	460
7-869	66-8212-1	500	7-954	7-954	461	7-1021	7-1021	507	7-1125	66-114-2	460
7-871	7-871	475	7-954	66-115-5	461	7-1022	7-1022	466	7-1126	7-1047	462
7-871	66-8121	475	7-955	7-955	461	7-1025	7-1025	466	7-1126	66-142-1	462
7-872	7-872	501	7-955	66-129-1	461	7-1025	66-200	466	7-1128	7-1128	445
7-874	7-874	475	7-956	7-956	461	7-1034	7-1034	467	7-1128	66-9171	445
7-874	66-8100-2	475	7-956	66-128-1	461	7-1034	66-202	467	7-1129	7-1129	495
7-876	66-9400	505	7-957	7-957	454	7-1035	7-1035	467	7-1129	66-8366	495
7-877	7-877	471	7-958	7-958	455	7-1035	66-203	467	7-1130	7-1130	463
7-879	7-879	501	7-958	66-127-5	455	7-1037	7-1037	510	7-1130	66-134	463
7-879	66-8202	501	7-959	7-959	455	7-1038	7-1038	510	7-1131	7-1131	478
7-887	7-887	472	7-959	66-144-5	455	7-1039	7-1039	450	7-1131	66-8156-5	478
7-887	66-8108-1	472	7-960	7-960	455	7-1041	7-1041	508	7-1133	7-1133	445
7-888	7-888	472	7-960	66-148-1	455	7-1044	7-1044	464	7-1133	66-9173	445
7-888	66-8107-5	472	7-961	7-961	462	7-1044	7-1044B	464	7-1134	7-1134	451
7-889	7-889	481	7-961	66-141-1	462	7-1044	66-133-2	464	7-1134	66-8405-2	451
7-889	66-9208-1	481	7-965	7-965	504	7-1044-3T	7-1044-3T	465	7-1135	7-1135	483
7-890	7-890	486	7-965	66-600	504	7-1044-3T	66-132-2	465	7-1135	66-8504	483
7-890	66-8302	486	7-971	7-971	447	7-1044-3T	66-132-3	465	7-1137	7-1137	484
7-891	7-891	486	7-971	66-302	447	7-1044-3T	66-132-4	465	7-1143	7-1143	490
7-891	66-8303	486	7-975	7-975	448	7-1045	7-1045	451	7-1144	7-1144	496
7-893	7-893	501	7-975	7-975B	448	7-1045	66-8408-2	451	7-1144	66-8368	496
7-893	66-8205-5	501	7-975	66-101-4	450	7-1046	7-1046	459	7-1146	7-1146	493
7-894	7-894	435	7-975	66-101-5	450	7-1047	7-1047	462	7-1148	7-1148	496
7-895	7-895	481	7-975	66-101-6	448	7-1047	66-142-1	462	7-1148	66-8372	496
7-895	66-9203-5	481	7-980	7-980	447	7-1048	7-1048	459	7-1149	7-1149	484
7-896	7-896	481	7-980	66-303	447	7-1050	7-1050	507	7-1152	7-1152	460
7-896	66-9210	481	7-983	7-983	467	7-1051	7-1051	507	7-1152	66-145-2	460
7-898	7-898	501	7-984	7-984	448	7-1052	7-1052	507	7-1153	7-1153	446
7-899	7-899	489	7-984	7-984B	448	7-1053	7-1053	508	7-1153	66-9170	446
7-899	66-8309-2	489	7-984	66-100-4	449	7-1055	7-1055	511	7-1154	66-9168	446
7-899	66-8309-3	489	7-984	66-100-5	449	7-1056	7-1038	510	7-1157	7-1157	478
7-900N	7-900N	456	7-984	66-100-6	448	7-1056	67-718	633	7-1159	7-1159	472
7-900N	7-900NS	456	7-984SD	7-984SD	465	7-1057	7-1013	505	7-1160	7-1160	475
7-900N	66-107-2	456	7-984SD	66-143	465	7-1057	7-1017	506	7-1160	66-8134-1	475
7-900S	7-900S	456	7-984SD	66-143-2	465	7-1057	67-702	506	7-1161	7-1161	472
7-900S	66-109	456	7-987	7-987	468	7-1058	7-1058	508	7-1162	7-1162	476
7-907	7-907	457	7-987	66-207-2	468	7-1062	7-1062	511	7-1163	7-1163	476
7-907	66-110	457	7-991-3T	7-991-3T	463	7-1063	7-1063	451	7-1163	66-8150-1	476
7-907N	7-907N	457	7-991-3T	66-121-1	464	7-1063	66-8406-2	451	7-1164	7-1164	476
7-907N	7-907NS	457	7-991-3T	66-121-3	463	7-1064	7-1064	451	7-1164	66-8151-1	476
7-907N	66-106-2	457	7-991-3T	66-121-7	463	7-1064	66-8407-2	451	7-1165	7-1165	478
7-912	7-912	457	7-991SD	7-991SD	464	7-1066	7-1066	632	7-1165	66-8157-1	478
7-912N	7-912N	458	7-991SD	66-121-1	464	7-1069	67-709	639	7-1166	7-1166	476
7-922	7-922	452	7-992	7-992	464	7-1070	67-708	639	7-1166	66-8158-5	476
7-924	7-924	453	7-992	66-125	464	7-1076	7-1076ZM	468	7-1167	7-1167	501
7-924	66-123-5	453	7-993	7-993	463	7-1076	66-208-2	468	7-1168	7-1168	502
7-925N	7-925N	458	7-993	66-131-1	463	7-1076	66-208-3	468	7-1169	7-1169	490
7-928N	7-928NS	458	7-994	7-994	450	7-1086	7-1086	469	7-1170	7-1170	490
7-931	7-931	453	7-994	66-8404-2	450	7-1086	66-209-2	469	7-1171	7-1171	490
7-931	66-117-2	453	7-995	7-995B	468	7-1099	7-1099	493	7-1171	66-8321-1	490
7-934	7-934	459	7-995	66-205-2	468	7-1099	66-8363-2	493	7-1172	7-1172	490
7-937	7-937	453	7-995	66-205-3	468	7-1099	66-8363-3	493	7-1172	66-8322-1	490
7-941	7-941	453	7-997	7-997	449	7-1100	7-1100	495	7-1173	7-1173	491
7-941	66-118-5	453	7-997	7-997B	449	7-1100	66-8347	495	7-1173	66-8351-2	491
7-942	7-942	460	7-997	66-100-4	449	7-1101	7-1101	487	7-1174	7-1174	491
7-942	66-113-2	460	7-997	66-100-5	449	7-1101	66-8354-1	487	7-1174	66-8367-1	491
7-943	7-943	460	7-997	66-100-6	448	7-1102	7-1102	489	7-1175	7-1175	491

INTERCHANGE - ACCURATE & WAI

DRIVES & SOLENOIDS - ACCURATE & WAI to CATALOG#

INTERCHANGE - ACCURATE & WAI

Part#	Catalog#	Page	Part#	Catalog#	Page	Part#	Catalog#	Page	Part#	Catalog#	Page
7-1175	66-8373-1	491	54-137	54-137-2	579	54-2200	4-1051	593	54-8156	54-8156	599
7-1176	7-1176	498	54-138	4-291	578	54-2200	54-2200-1	593	54-8200	4-682	617
7-1176	66-8409-2	498	54-138	54-138-2	578	54-2201	4-1052	593	54-8202	54-8202-1	616
7-1177	7-1177	498	54-139	4-282	578	54-2400	4-1050	593	54-8205	4-416	615
7-1177	66-8410-2	498	54-140	4-320	588	54-2400	54-2400-1	593	54-8205	54-8205-1	615
7-1178	7-1178	498	54-140	54-140-5	588	54-7000	4-420	636	54-8207	4-649	615
7-1178	66-8411-2	498	54-141	4-321	588	54-7001	4-1089	641	54-8207	54-8207-1	615
7-1179	7-1179	498	54-141	54-141-5	588	54-7002	4-1090	634	54-8208	4-417	615
7-1179	66-8412-2	498	54-142	4-121C	590	54-7003	54-7003	639	54-8208	54-8208-1	615
7-1180	7-1180	498	54-149	4-324	590	54-7004	54-7004	639	54-8209	54-8209-1	617
7-1180	66-8413-2	498	54-149	54-149-5	590	54-7005	54-7005	640	54-8210	4-788	618
7-1181	7-1181	435	54-152	4-319	588	54-7006	54-7006	640	54-8216	4-740	616
7-1181	66-9141-1	435	54-152	54-152-1	588	54-7007	54-7007	640	54-8218	4-1097	619
7-1182	7-1182	442	54-153	4-487	587	54-7008	54-7008	640	54-8218	54-8218	619
7-1182	66-9189-5	442	54-153	54-153	587	54-7009	54-7009	640	54-8220	4-814	614
7-1183	7-1183	435	54-154	4-491	587	54-7010	54-7010	640	54-8222	4-851	619
7-1183	66-9194-1	435	54-154	54-154-2	587	54-7011	54-7011	634	54-8224	4-1034	618
7-1184	7-1184	435	54-155	4-375	589	54-7012	54-7012	634	54-8225	4-1035	617
7-1184	66-9195-1	435	54-155	54-155-1	589	54-7013	54-7013	634	54-8226	4-1045	618
7-1190	7-1190	436	54-156	4-376	589	54-7014	54-7014	634	54-8226	54-8226-3	618
7-1192	7-1192	438	54-156	54-156-1	589	54-7015	54-7015	634	54-8227	54-8227	619
7-1192	66-91104-2	438	54-157	4-377	589	54-7016	54-7016	635	54-8231	4-922	615
7-1193	7-1193	446	54-157	54-157-1	589	54-7017	54-7017	635	54-8232	4-872	616
7-2010	7-2010	437	54-166	4-380	589	54-7018	54-7018	635	54-8232	54-8232-5	616
7-4371	7-4371	487	54-166	54-166-5	589	54-7019	54-7019	635	54-8234	54-8234-1	615
7-4371	66-8330-2	487	54-167	54-167-5	590	54-7200	54-7200	640	54-8235	4-1036	616
7-4371	66-8330-3	487	54-168	4-378	589	54-8100	4-694	596	54-8235	54-8235-1	616
			54-168	54-168-1	589	54-8100	54-8100-1	596	54-8236	4-1038	618
9-844	9-844	509	54-169	4-420	636	54-8101	4-692	594	54-8237	4-1057	618
9-845	9-845	509	54-170	4-1080	584	54-8101	54-8101-1	594	54-8237	54-8237-1	618
9-865	9-865	509	54-171	4-1087	581	54-8103	4-750	595	54-8238	4-1102	618
9-865	9-865E	509	54-172	4-488-118	625	54-8104	4-678	596	54-8239	4-972	633
			54-173	54-173	588	54-8104	54-8104-5	596	54-8240	4-691	615
54-100	4-305	575	54-174	54-174	588	54-8105	4-734	596	54-8241	54-8241	619
54-100	54-100	575	54-175	54-175	588	54-8106	4-752	633	54-8242	54-8242-1	617
54-101	4-213	576	54-202	4-352	592	54-8109	4-619	595	54-8243	54-8243-1	617
54-101	54-101-2	576	54-202	54-202-5	592	54-8110	4-621	596	54-8244	4-1106	617
54-105	4-304	577	54-204	4-242	591	54-8111	54-8111	599	54-8244	54-8244-1	617
54-106	4-348	579	54-204	54-204-5	592	54-8112	4-421	595	54-8300	4-745	610
54-108	4-494	581	54-208	4-341B	592	54-8117	4-897	596	54-8300	54-8300-5	610
54-109	4-457	580	54-209	4-340	592	54-8118	4-900	599	54-8301	4-700	610
54-109	54-109-1	580	54-210	4-353B	592	54-8119	4-901	597	54-8303	4-701	611
54-112	4-482VN	580	54-211	4-354	592	54-8120	4-902	598	54-8303	54-8303-5	611
54-112	D54-482	581	54-212	4-355	593	54-8123	4-1091	599	54-8304	4-616	606
54-113	4-479VN	580	54-212	54-212-2	593	54-8125	4-905	597	54-8304	54-8304-1	606
54-113	54-113-1	580	54-214	4-356	593	54-8126	4-820	598	54-8305	4-615	608
54-113	D54-479	580	54-214	54-214-1	593	54-8131	4-908	597	54-8305	54-8305-1	608
54-114	4-488	587	54-215	4-357	594	54-8132	4-896	594	54-8306	4-627	607
54-114	54-114-2	587	54-215	54-215-1	594	54-8133	4-899	597	54-8306	54-8306-1	607
54-118	4-472	625	54-216	4-359	594	54-8134	54-8134-1	595	54-8309	4-699	610
54-118	54-118-2	625	54-216	54-216-1	594	54-8135	4-906	597	54-8313	4-756	607
54-122	4-492	586	54-217	54-217	593	54-8135	54-8135-5	597	54-8313	54-8313-1	607
54-123	4-486	585	54-218	54-218	594	54-8137	4-912	597	54-8314	4-757	609
54-123	54-123-3	585	54-501	4-325	602	54-8138	4-910	595	54-8314	54-8314-1	609
54-124	4-489	585	54-607	4-1088	602	54-8138	54-8138-1	595	54-8315	4-758	609
54-124	54-124-3	585	54-1202	54-1202	586	54-8139	4-911	599	54-8315	54-8315-1	609
54-125	4-497	586	54-1202	486009	586	54-8140	4-1046	598	54-8317	4-760	610
54-125	54-125-2	586	54-1204	472009	586	54-8141	4-798C	596	54-8319	4-876	608
54-127	4-311VN	585	54-1205	54-1205-2	586	54-8141	54-8141-5	596	54-8319	54-8319-1	608
54-129	54-129	587	54-1205	472006	586	54-8142	4-1083	598	54-8320	4-777	611
54-130	4-465	625	54-1206	492009	586	54-8143	4-1093	598	54-8320	54-8320-5	611
54-131	4-337	583	54-1207	54-1207-2	586	54-8144	4-1094	599	54-8321	4-877	608
54-131	4-337-DR	583	54-1207	497006	586	54-8146	4-925	599	54-8323	4-949	607
54-131	D54-337P	583	54-1209	337022	584	54-8149	54-8149	633	54-8324	4-881	607
54-132	4-338	583	54-1214	54-1214	589	54-8150	4-1096	595	54-8325	4-882	609
54-132	4-338-DR	583	54-1215	54-1215	584	54-8151	4-858	595	54-8325	54-8325-1	609
54-132	54-132-5	583	54-1216	54-1216	584	54-8152	4-596	598	54-8327	4-1015	609
54-132	D54-338P	583	54-1217	54-1217-5	584	54-8152	54-8152-5	598	54-8327	54-8327-1	609
54-135	4-307	575	54-1218	54-1218-5	584	54-8153	4-1084	594	54-8329	4-1065	608
54-135	54-135-5	575	54-1400	54-1400	584	54-8153	54-8153-3	594	54-8330	4-778	608
54-136	4-221	577	54-1401	54-1401	584	54-8154	4-1089	641	54-8333	4-1111	611
54-137	4-310	579	54-1803	54-1803	625	54-8155	4-1090	634	54-8334	4-1112	611

DRIVES & SOLENOIDS - ACCURATE & WAI to CATALOG#

Part#	Catalog#	Page	Part#	Catalog#	Page	Part#	Catalog#	Page	Part#	Catalog#	Page
54-8335	4-1058	610	54-9150	4-929	572	54-81400	4-1072	600	54-91114	54-91114-3	571
54-8335	54-8335-5	610	54-9150	54-9150-2	572	54-81400	54-81400-1	600	54-91115	54-91115-3	563
54-8336	4-1016	609	54-9151	4-837	571	54-81401	4-1092	600	54-91203	4-796	575
54-8336	54-8336-1	609	54-9151	54-9151-1	571	54-81402	4-1047	599	54-91204	4-795	574
54-8337	4-1066	609	54-9153	4-838	572	54-82201	4-725	621	54-91400	4-792	574
54-8337	54-8337-1	609	54-9153	54-9153-1	572	54-82201	54-82201-5	621			
54-8338	4-1017	608	54-9154	4-839	566	54-82202	4-771	624	66-100	7-984	448
54-8338	54-8338-1	608	54-9156	4-827	571	54-82202	54-82202-1	624	66-100	7-984B	448
54-8339	4-1113	611	54-9157	4-828	571	54-82203	4-748	623	66-100	7-997	449
54-8341	54-8341	610	54-9159	4-818	565	54-82203	54-82203-1	623	66-100	7-997B	449
54-8400	4-327	581	54-9160	4-1032	563	54-82204	4-749	621	66-100	66-100-4	449
54-8400	54-8406-1	581	54-9160	54-9160-1	563	54-82206	4-791	622	66-100	66-100-5	449
54-8401	4-328	581	54-9161	4-817	565	54-82207	4-746	624	66-100	66-100-6	448
54-8402	4-328	581	54-9163	4-816	569	54-82207	54-82207	624	66-101	7-975	448
54-8403	4-329	581	54-9165	4-822	565	54-82208	54-82208	622	66-101	7-975B	448
54-8403	54-8407-1	581	54-9167	4-1014	570	54-82209	4-800	623	66-101	7-999	449
54-8404	4-335	582	54-9167	54-9167-1	570	54-82210	4-801	623	66-101	7-999B	449
54-8405	4-336	582	54-9168	4-823	569	54-82211	4-802	622	66-101	66-101-4	450
54-8406	4-327	581	54-9172	4-1119	573	54-82212	4-803	623	66-101	66-101-5	450
54-8406	54-8406-1	581	54-9179	4-934	572	54-82213	54-82213	624	66-101	66-101-6	448
54-8407	4-329	581	54-9179	54-9179-1	573	54-82214	54-82214	624	66-102	7-951	452
54-8407	54-8407-1	581	54-9180	4-1067	572	54-82215	4-1001	623	66-102	7-951B	452
54-8408	4-361	582	54-9181	4-1044	573	54-82215	54-82215-5	623	66-102	66-102	452
54-8408	54-8408-5	582	54-9182	4-611	564	54-82216	4-1098	624	66-103	7-945	452
54-8409	4-362	582	54-9183	4-974	570	54-82216	54-82216-5	624	66-103	7-945B	452
54-8410	4-363	582	54-9183	54-9183-1	570	54-82217	4-1099	622	66-103	66-103	452
54-8411	4-364	582	54-9184	4-1041	572	54-82217	54-82217-1	622	66-104	7-952	454
54-8411	54-8411-5	582	54-9184	54-9184-1	572	54-82218	4-1100	622	66-104	66-104-1	454
54-8412	4-1059	614	54-9186	4-1120	570	54-82219	4-1056	623	66-105	7-1124	456
54-8414	4-1061	614	54-9187	4-610	570	54-82220	54-82220	622	66-105	66-105-2	456
54-8415	4-1011	614	54-9188	4-1121	566	54-82221	54-82221	624	66-106	7-907N	457
54-8500	4-769	606	54-9189	4-741	570	54-82224	4-1101	624	66-106	66-106-2	457
54-8501	4-973	633	54-9190	4-1068	572	54-82400	54-82400	621	66-107	7-900N	456
54-9100	4-346	569	54-9190	54-9190-2	572	54-82401	4-1071	620	66-107	7-900NS	456
54-9101	4-413	564	54-9192	4-1070	574	54-82401	54-82401-1	620	66-107	66-107-2	456
54-9102	4-681	565	54-9192	54-9192-2	574	54-82402	4-1103	620	66-109	7-900S	456
54-9103	4-614	567	54-9194	54-9194	570	54-82404	4-1103	620	66-109	66-109	456
54-9106	4-673	567	54-9195	54-9195	566	54-82405	4-1000	620	66-110	7-907	457
54-9106	54-9108-1	567	54-9197	54-9197	573	54-82406	4-1062	620	66-110	66-110	457
54-9108	4-673	567	54-9199	54-9199	568	54-82407	4-1063	620	66-112	7-912N	458
54-9108	54-9108-1	567	54-9200	4-670	603	54-82408	4-1064	620	66-113	7-942	460
54-9109	4-835	573	54-9200	54-9200-1	603	54-82409	54-82409	621	66-113	66-113-2	460
54-9109	54-9109-1	573	54-9201	4-641	603	54-82410	4-1105	621	66-114	7-943	460
54-9110	4-841	568	54-9202	4-642	603	54-83201	54-83201	614	66-114	66-114-2	460
54-9112	4-666	571	54-9202	54-9202-2	603	54-83211	4-783	613	66-115	7-954	461
54-9113	4-842	573	54-9203	4-807	604	54-83212	4-784	613	66-115	66-115-5	461
54-9114	4-743	571	54-9204	4-810	604	54-83216	4-939	613	66-116	7-937	453
54-9114	54-9114-2	571	54-9204	54-9204-5	604	54-83218	4-1030P	613	66-117	7-931	453
54-9117	4-850	568	54-9205	4-683	603	54-83218	54-83218-5	613	66-117	66-117-2	453
54-9118	4-684	568	54-9209	4-632	602	54-83219	4-1109	613	66-118	7-941	453
54-9119	4-860	568	54-9213	4-768	603	54-83221	54-83221	614	66-118	66-118-5	453
54-9121	4-674	568	54-9213	54-9213-5	603	54-83222	54-83222	614	66-119	7-949	454
54-9121	54-9121-1	568	54-9214	4-931	604	54-83401	4-772	612	66-119	66-119-1	454
54-9123	4-675	568	54-9216	4-808	604	54-83401	54-83401-1	612	66-120	7-1039	450
54-9123	54-9123-2	568	54-9218	4-671	604	54-83403	4-776	612	66-121	7-991-3T	463
54-9126	4-601	564	54-9300	4-626	605	54-83407	4-764	611	66-121	7-991-3TB	463
54-9127	4-602	564	54-9307	4-1122	605	54-83408	4-786	612	66-121	7-991SD	464
54-9129	4-345	563	54-9434	4-1020	625	54-83411	4-1114	612	66-121	66-121-1	464
54-9129	54-9129-1	563	54-9900	4-830	591	54-83412	4-1115	612	66-121	66-121-3	463
54-9130	4-415	564	54-81200	4-738	600	54-83413	54-83413	613	66-121	66-121-7	463
54-9131	4-344	570	54-81200	54-81200-5	600	54-83414	4-1116	613	66-122	7-946	452
54-9133	4-604	569	54-81201	4-798	600	54-83414	54-83414-1	613	66-122	7-946B	452
54-9136	4-608	564	54-81201	54-81201-5	600	54-83415	4-1030	612	66-122	66-122	452
54-9138	4-839	566	54-81203	4-899PS	601	54-83415	54-83415-1	612	66-123	7-924	453
54-9139	4-679	569	54-81204	4-905PS	601	54-83416	4-1117	613	66-123	66-123-5	453
54-9140	4-742	565	54-81204	54-81204-1	601	54-83417	4-1074	612	66-124	7-928NS	458
54-9140	54-9140-2	565	54-81205	4-727	600	54-85200	4-769P	606	66-125	7-992	464
54-9143	4-400	569	54-81206	4-899PS	601	54-85201	4-1118	606	66-125	66-125	464
54-9144	4-737	565	54-81207	54-81207	601	54-91101	54-91101	567	66-126	7-907NS	457
54-9145	4-856	566	54-81208	54-81208	601	54-91103	54-91103	567	66-127	7-958	455
54-9146	4-857	566	54-81209	4-910PS	601	54-91109	54-91109	567	66-127	66-127-5	455
54-9147	4-854	566	54-81211	54-81211	601	54-91113	54-91113-3	567	66-128	7-956	461

INTERCHANGE - ACCURATE & WAI

DRIVES & SOLENOIDS - ACCURATE & WAI to CATALOG#

INTERCHANGE - ACCURATE & WAI

Part#	Catalog#	Page	Part#	Catalog#	Page	Part#	Catalog#	Page	Part#	Catalog#	Page
66-128	66-128-1	461	66-8102	7-823	471	66-8155	66-8111-5	471	66-8326	66-8326-3	485
66-129	7-955	461	66-8102	66-8102	471	66-8156	7-1131	478	66-8327	7-863	486
66-129	66-129-1	461	66-8104	7-822	470	66-8156	66-8156-5	478	66-8327	66-8327	486
66-130	7-953	454	66-8104	66-8105-1	470	66-8157	7-1165	478	66-8327	66-8327-3	486
66-131	7-993	463	66-8105	7-822	470	66-8157	66-8157-1	478	66-8328	7-785	494
66-131	66-131-1	463	66-8105	66-8105-1	470	66-8158	7-1166	476	66-8328	66-8328	494
66-132	7-1044-3T	465	66-8107	7-888	472	66-8158	66-8158-5	476	66-8330	7-4371	487
66-132	7-1044-3TB	465	66-8107	66-8107-5	472	66-8159	66-8159	476	66-8330	66-8330-2	487
66-132	66-132-2	465	66-8108	7-887	472	66-8201	7-848	500	66-8330	66-8330-3	487
66-132	66-132-3	465	66-8108	66-8108-1	472	66-8202	7-879	501	66-8331	7-784	488
66-132	66-132-4	465	66-8109	7-877	471	66-8202	66-8202	501	66-8331	66-8331-1	488
66-133	7-1044	464	66-8110	7-793	475	66-8203	7-846	500	66-8338	7-783	488
66-133	7-1044B	464	66-8110	66-8110-5	475	66-8203	66-8203	500	66-8338	66-8338	488
66-133	66-133-2	464	66-8111	7-831	471	66-8204	7-898	501	66-8340	66-8340	492
66-134	7-1130	463	66-8111	66-8111-5	471	66-8205	7-893	501	66-8344	7-778	494
66-134	66-134	463	66-8113	7-792	470	66-8205	66-8205-5	501	66-8344	66-8344	494
66-135	7-1108	455	66-8113	66-8113-2	470	66-8206	7-848	500	66-8346	66-8346	496
66-135	66-135-1	455	66-8114	7-763	470	66-8209	7-861	500	66-8347	7-1100	495
66-137	7-925N	458	66-8114	66-8114-1	470	66-8209	66-8209-2	500	66-8347	66-8347	495
66-138	7-957	454	66-8116	7-669	469	66-8209	66-8209-3	500	66-8349	7-710	494
66-141	7-961	462	66-8116	66-8116	469	66-8210	7-751	499	66-8349	66-8349	494
66-141	66-141-1	462	66-8118	7-761	470	66-8210	66-8210	499	66-8350	7-668	493
66-142	7-1047	462	66-8118	66-8118	470	66-8211	66-8211	502	66-8350	66-8350-2	493
66-142	66-142-1	462	66-8120	7-864	471	66-8212	7-869	500	66-8351	7-1173	491
66-143	7-984SD	465	66-8120	66-8120	471	66-8212	66-8212-1	500	66-8351	66-8351-2	491
66-143	66-143	465	66-8120	66-8120-3	471	66-8213	66-8213	502	66-8354	7-1101	487
66-143	66-143-2	465	66-8121	7-871	475	66-8214	66-8214	503	66-8354	66-8354-1	487
66-144	7-959	455	66-8121	66-8121	475	66-8215	66-8215	503	66-8356	7-1102	489
66-144	66-144-5	455	66-8123	66-8123	473	66-8216	66-8216	504	66-8357	7-1143	490
66-145	7-1152	460	66-8128	7-759	474	66-8217	66-8217	502	66-8360	7-1146	493
66-145	66-145-2	460	66-8128	66-8128-5	474	66-8218	7-1167	501	66-8361	7-690	484
66-146	7-1122	460	66-8129	7-1159	472	66-8219	7-1168	502	66-8363	7-1099	493
66-147	7-1046	459	66-8130	7-792	470	66-8300	7-760	484	66-8363	66-8363-2	493
66-148	7-960	455	66-8130	66-8113-2	470	66-8300	66-8300-2	484	66-8363	66-8363-3	493
66-148	66-148-1	455	66-8131	66-8131	473	66-8301	66-8301	487	66-8364	7-1104	495
66-153	66-153	465	66-8132	7-822	470	66-8302	7-890	486	66-8364	66-8364	495
66-200	7-1025	466	66-8132	66-8105-1	470	66-8302	66-8302	486	66-8365	7-1105	495
66-200	66-200	466	66-8134	7-1160	475	66-8303	7-891	486	66-8365	66-8365	495
66-202	7-1034	467	66-8134	66-8134-1	475	66-8303	66-8303	486	66-8366	7-1129	495
66-202	66-202	467	66-8135	7-681	477	66-8305	7-789	489	66-8366	66-8366	495
66-203	7-1035	467	66-8135	66-8135	477	66-8305	66-8305-1	489	66-8367	7-1174	491
66-203	66-203	467	66-8136	7-687	477	66-8306	7-799	485	66-8367	66-8367-1	491
66-204	7-983	467	66-8136	66-8136-2	477	66-8306	66-8306	485	66-8368	7-1144	496
66-205	7-995B	468	66-8137	7-688	477	66-8307	7-781	485	66-8368	66-8368	496
66-205	66-205-2	468	66-8137	66-8137	477	66-8307	66-8307-1	485	66-8369	66-8369	487
66-205	66-205-3	468	66-8138	7-680	477	66-8308	66-8308-2	491	66-8370	66-8370	496
66-207	7-987	468	66-8138	66-8138-2	477	66-8309	7-899	489	66-8371	66-8371	497
66-207	66-207-2	468	66-8139	7-676	469	66-8309	66-8309-2	489	66-8372	7-1148	496
66-208	7-1076ZM	468	66-8139	66-8146	469	66-8309	66-8309-3	489	66-8372	66-8372	496
66-208	66-208-2	468	66-8141	66-8141	476	66-8310	7-782	488	66-8373	7-1175	491
66-208	66-208-3	468	66-8143	7-685	474	66-8311	7-789	489	66-8373	66-8373-1	491
66-209	7-1086	469	66-8143	66-8143	474	66-8311	66-8305-1	489	66-8375	66-8375	497
66-209	66-209-2	469	66-8144	7-684	474	66-8313	7-790	489	66-8377	66-8377	488
66-210	66-210	467	66-8144	66-8144	474	66-8313	66-8313-2	489	66-8378	66-8378	492
66-300	66-300	447	66-8145	7-686	474	66-8314	66-8316	491	66-8379	66-8379	492
66-301	7-971	447	66-8145	66-8145	474	66-8315	7-787	485	66-8380	66-8380	493
66-301	66-302	447	66-8146	7-676	469	66-8316	66-8316	491	66-8400	7-858	497
66-302	7-971	447	66-8146	66-8146	469	66-8317	7-668	493	66-8400	66-8400-2	497
66-302	66-302	447	66-8147	7-1161	472	66-8317	7-778	494	66-8402	7-859	497
66-303	7-980	447	66-8148	7-1162	476	66-8317	66-8344	494	66-8402	66-8402-2	497
66-303	7-980B	447	66-8149	7-673	469	66-8317	66-8350-2	493	66-8403	7-1179	498
66-303	66-303	447	66-8149	66-8149-1	469	66-8318	7-1169	490	66-8403	66-8412-2	498
66-501	7-1157	478	66-8150	7-1163	476	66-8319	7-1170	490	66-8404	7-994	450
66-600	7-965	504	66-8150	66-8150-1	476	66-8321	7-1171	490	66-8404	66-8404-2	450
66-600	66-600	504	66-8151	7-1164	476	66-8321	66-8321-1	490	66-8405	7-1134	451
66-601	66-601	478	66-8151	66-8151-1	476	66-8322	7-1172	490	66-8405	66-8405-2	451
66-7000	66-7000	636	66-8152	7-670	473	66-8322	66-8322-1	490	66-8406	7-1063	451
66-7001	66-7001-2	636	66-8152	66-8152-1	473	66-8323	66-8323	492	66-8406	66-8406-2	451
66-7002	66-7002-1	636	66-8153	66-8153	478	66-8325	7-786	494	66-8407	7-1064	451
66-8100	7-874	475	66-8154	7-686	474	66-8325	66-8325	494	66-8407	66-8407-2	451
66-8100	66-8100-2	475	66-8154	66-8145	474	66-8326	7-862	485	66-8408	7-1045	451
66-8101	66-8101	473	66-8155	7-831	471	66-8326	66-8326-2	485	66-8408	66-8408-2	451

DRIVES & SOLENOIDS - ACCURATE & WAI to CATALOG#

Part#	Catalog#	Page	Part#	Catalog#	Page	Part#	Catalog#	Page	Part#	Catalog#	Page
66-8409	7-1176	498	66-9132	66-9132-2	444	66-9209	66-9209-5	479	D54-337P	D54-337P	583
66-8409	66-8409-2	498	66-9136	66-9136	441	66-9210	7-896	481	D54-338P	D54-338P	583
66-8410	7-1177	498	66-9140	7-743	436	66-9210	66-9210	481	D54-479	D54-479	580
66-8410	66-8410-2	498	66-9140	66-9140-1	436	66-9211	7-797	480	D54-482	D54-482	581
66-8411	7-1178	498	66-9141	7-1181	435	66-9211	66-9211-2	480			
66-8411	66-8411-2	498	66-9141	66-9141-1	435	66-9212	7-752	479			
66-8412	7-1179	498	66-9146	7-745	443	66-9302	7-768	482			
66-8412	66-8412-2	498	66-9146	66-9146-5	443	66-9302	66-9302-1	482			
66-8413	7-1180	498	66-9147	7-744	443	66-9303	7-767	482			
66-8413	66-8413-2	498	66-9147	66-9147	443	66-9303	66-9303-1	482			
66-8414	66-8414-2	499	66-9155	7-741	443	66-9304	7-767	482			
66-8415	66-8415-2	499	66-9155	66-9155	443	66-9304	66-9303-1	482			
66-8500	7-866	483	66-9157	7-852	441	66-9400	66-9400	505			
66-8500	66-8500-2	483	66-9157	66-9157	441	66-9403	7-791	505			
66-8500	66-8500-3	483	66-9158	7-749	439	66-9408	7-776	504			
66-8501	7-865	483	66-9162	66-9162	441	66-9419	66-9419	505			
66-8501	66-8501	483	66-9163	7-746	444	66-9427	7-696	504			
66-8502	7-750	483	66-9163	66-9163-2	444	66-9427	7-696B	504			
66-8502	66-8502	483	66-9164	7-708	443	66-9427	66-9427	504			
66-8503	7-694	482	66-9164	66-9164	443	66-9900	7-719	466			
66-8503	66-8503-3	482	66-9168	66-9168	446	66-9901	7-719	466			
66-8504	7-1135	483	66-9169	7-1119	445	66-82459	66-82459	547			
66-8504	66-8504	483	66-9169	66-9169	445	66-82460	66-82460	547			
66-8505	7-1149	484	66-9170	7-1153	446	66-82461	66-82461	547			
66-8506	7-1137	484	66-9170	66-9170	446	66-82462	66-82462	548			
66-8507	66-8507	484	66-9171	7-1128	445	66-82463	66-82463	548			
66-8900	7-866	483	66-9171	66-9171	445	66-82464	66-82464	548			
66-8900	66-8500-2	483	66-9173	7-1133	445	66-91104	7-1192	438			
66-8900	66-8500-3	483	66-9173	66-9173	445	66-91104	66-91104-2	438			
66-8901	7-865	483	66-9174	7-744	443						
66-8901	66-8501	483	66-9174	66-9147	443	67-100	9-844	509			
66-8903	7-1076ZM	468	66-9175	66-9175	442	67-101	9-845	509			
66-8903	66-208-2	468	66-9177	7-740	433	67-102	9-865	509			
66-8903	66-208-3	468	66-9177	66-9105	433	67-102	9-865E	509			
66-9100	7-818	434	66-9178	7-852	441	67-104	7-1041	508			
66-9100	66-9100-2	434	66-9178	66-9157	441	67-700	7-1038	510			
66-9102	7-894	435	66-9179	66-9179	442	67-700	67-718	633			
66-9104	7-739	436	66-9180	7-810	440	67-701	67-701	632			
66-9105	7-740	433	66-9180	66-9180	440	67-702	7-1017	506			
66-9105	66-9105	433	66-9181	7-817	433	67-702	67-702	506			
66-9106	7-798	437	66-9182	7-819-HD	444	67-703	7-1020	506			
66-9106	66-9106-1	437	66-9182	66-9182-2	444	67-703	67-703-1	506			
66-9107	7-2010	437	66-9183	7-814	440	67-704	7-1021	507			
66-9110	7-728	438	66-9183	66-9183	440	67-705	67-705	638			
66-9110	66-9110-2	438	66-9185	7-709	433	67-706	67-706	639			
66-9111	7-747	434	66-9186	66-9186	440	67-707	67-707	639			
66-9111	66-9111-1	434	66-9187	7-1107	445	67-708	67-708	639			
66-9115	7-816	433	66-9187	66-9187-5	445	67-709	67-709	639			
66-9117	7-721	438	66-9188	66-9188	436	67-710	67-710	632			
66-9118	7-726	437	66-9189	7-1182	442	67-711	67-711	632			
66-9118	66-9118-1	437	66-9189	66-9189-5	442	67-712	67-712	632			
66-9119	7-727	437	66-9190	66-9190	446	67-713	67-713	632			
66-9119	66-9119-1	437	66-9191	66-9191	442	67-714	67-714	632			
66-9120	66-9120	438	66-9194	7-1183	435	67-715	67-715	632			
66-9121	7-795	434	66-9194	66-9194-1	435	67-716	67-716	639			
66-9121	66-9121-5	434	66-9195	7-1184	435	67-717	67-717	632			
66-9123	7-794	434	66-9195	66-9195-1	435	67-718	67-718	633			
66-9123	66-9123-1	434	66-9196	66-9196	447	67-721	7-1007	509			
66-9124	7-850	440	66-9200	7-756	479	67-1806	67-1806	462			
66-9125	7-808	439	66-9202	7-757	479	67-1807	67-1807	462			
66-9125	66-9125	439	66-9202	66-9202	479	67-8300	67-8300	493			
66-9126	7-853	444	66-9203	7-895	481						
66-9126	66-9126-2	444	66-9203	66-9203-5	481	337022	337022	584			
66-9126	66-9126-3	445	66-9204	7-838	480	472006	54-1205-2	586			
66-9127	66-9127	441	66-9205	7-755	479	472006	472006	586			
66-9128	7-809	439	66-9205	66-9205-1	479	472009	472009	586			
66-9128	66-9128	439	66-9206	7-839	480	486009	54-1202	586			
66-9129	7-805	439	66-9207	7-840	480	486009	486009	586			
66-9129	66-9129	439	66-9207	66-9207-5	480	492009	492009	586			
66-9131	7-851	440	66-9208	7-889	481	497006	54-1207-2	586			
66-9131	66-9131	440	66-9208	66-9208-1	481	497006	497006	586			
66-9132	7-819	444	66-9209	7-753	479						

INTERCHANGE - ACCURATE & WAI

DRIVES & SOLENOIDS - ACCURATE & WAI to CATALOG#

INTERCHANGE - ACCURATE & WAI

Part#	Catalog#	Page	Part#	Catalog#	Page	Part#	Catalog#	Page	Part#	Catalog#	Page

NUMERICAL INDEX - WAI# to PAGE

54-85800 626	57-121-1 60, 271	59-122-3 25, 285	59-600 302
54-85801 626	57-126-1 32, 50, 271	59-124 25, 286	59-601 302
54-91101 567	57-129 9, 271	59-124-3 25, 286	59-602 302
54-91103 567	57-1201 5, 271	59-127 27, 29, 286	59-603 303
54-91109 567	57-1205-1 5, 271	59-128 27, 29, 286	59-604 303
54-91113-3 567	57-1214 75, 271	59-129 32, 287	59-1900 9, 283
54-91114-3 571	57-1215 272	59-129-3 32, 287	59-2902 83, 85, 296
54-91115-3 563	57-1217 54, 272	59-130 32, 287	59-8108 296
55-	57-1219 272	59-130-3 32, 287	59-8200-1 300
55-100 5, 361	57-1222 67, 272	59-131 32, 287	59-8203 300
55-101 5, 361	57-1223 69, 272	59-131-3 32, 287	59-8204 300
55-104 9, 15, 361	57-1224 67, 272	59-132 44, 288	59-8205 300
55-104-1 9, 15	57-1226 9, 273	59-132-3 44, 288	59-8206 301
55-105 9, 15, 361	57-1228 60, 273	59-133-3 44, 289	59-8207 301
55-106 23, 27, 361	57-1229 65, 273	59-134 44, 289	59-8208 301
55-107 25, 29, 361	57-1230 71, 273	59-135 54, 290	59-8209 301
55-108 32, 361	57-1231 73, 273	59-135-3 54, 290	59-8210 302
55-109 44, 60, 362	57-1232 73, 273	59-136 54, 290	59-8211 302
55-110 50, 54, 362	57-1233 73, 274	59-136-3 54, 290	59-8303 103, 298
55-112 63, 362	57-1234 73, 274	59-137-1 60, 291	59-8303-1 103, 298
55-115 79, 362	57-1239 40	59-138 60, 291	59-8304 105, 299
55-117 75, 362	57-1240 40	59-139 60, 291	59-8400-1 19, 284
55-118 77, 362	57-2209 93, 97, 274	59-140-1 60, 291	59-8400-2 19, 285
55-118-1 77	57-2209-1 93, 97, 274	59-140-3 60, 291	59-8401-1 19, 285
55-119 67, 362	57-2210 99, 274	59-143 44, 289	59-8402 299
55-120 69, 71, 73, 362	57-2211 99	59-144 32, 50, 288	59-8403 299
55-122 65, 363	57-2212 99	59-144-3 32, 50, 288	59-8404 299
55-123 36	57-7200 630	59-145 32, 288	59-8500 636
55-124 40	57-7201 630	59-146 79, 280	59-9102 277
55-203 85, 363	57-7202 630	59-147 54, 290	59-9103 277
55-205 87, 363	57-7203 631	59-148 54, 290	59-9104 277
55-206 89, 363	57-7204 631	59-149 77, 280	59-9105 277
55-207 89, 363	57-8400 19, 274	59-150 280	59-9109 278
55-209 93, 99, 363	57-83201 275	59-151-3 32, 50, 288	59-9109-3 278
55-210 93, 97, 364	57-83202 103, 275	59-152 15, 284	59-9113 278
55-211 91	57-83203 275	59-153 9, 281	59-9119 278
55-301 3, 361	57-83216 105, 275	59-154 27, 286	59-9126 279
55-1200 9, 15, 372	57-84200 19, 274	59-159 292	59-9201 101, 296
55-1201 5, 9, 15, 77, 372	57-84201 19, 274	59-160 9, 281	59-9203 101, 297
55-1202 32, 44, 50, 54, 60, 372	58-	59-161 292	59-9205 101, 297
55-1203 23, 27, 373	58-105 15, 373	59-162 9, 282	59-9206 101, 297
55-1204 25, 29, 373	58-107 27, 29, 44, 54, 373	59-163 292	59-9207 297
55-1205 25, 29, 373	58-108 32, 50, 373	59-164 9, 282	59-9304 298
55-1206 32, 50, 373	58-109 60, 373	59-165 292	59-92900 101, 298
55-1208 36, 40	58-110 40	59-166 9, 282	61-
55-1301 5, 9, 15, 25, 29, 373	58-112 36	59-167 25, 286	61-107 9, 114
55-1400 373	58-2500 93, 97, 401	59-168 292	61-107-1 114
55-1403 75, 373	58-2501 93, 97, 401	59-169 292	61-114 23, 25, 115
55-1404 36, 40	58-8400 19, 373	59-170 9, 282	61-115 29, 115
55-8201 365	58-83508 103, 417	59-171 9, 282	61-118 32, 115
55-8203 365	58-83509 105, 417	59-172 293	61-119 32, 115
55-8300 103, 364	58-91500 367	59-173 29, 287	61-120 44, 116
55-8303 364	58-91501 367	59-174 15, 284	61-121 44, 116
55-8306 364	58-91502 367	59-176 9, 282	61-122 54, 116
55-8307 365	58-91503 367	59-177 293	61-123 54, 116
55-8308 105, 365	59-	59-178 293	61-124 60, 117
55-8309 364, 365	59-102 279	59-179 44, 289	61-125 60, 117
55-8310 365	59-103 5, 279	59-180 293	61-126 60, 117
55-8400 19, 363	59-104 5, 280	59-181 9, 283	61-132 5, 77, 79, 113
55-9102 361	59-107 291	59-182 293	61-133 15, 114
55-9103 361	59-109-3 9, 281	59-183 36	61-134 15, 114
55-9200 101, 364	59-111 9, 281	59-184 40	61-136 9, 114
55-9400 366	59-112-3 9, 281	59-185 40	61-137 63, 117
55-82401 422	59-115-3 9, 281	59-188 36	61-138 63, 117
55-82402 422	59-118 15, 283	59-189 36	61-139 5, 77, 79, 113
55-82403 422	59-118-3 15, 283	59-205-3 85, 293	61-140-1 75, 118
55-82404 422	59-119 15, 283	59-206-3 85, 294	61-142 60, 117
55-83400 417	59-119-3 15, 284	59-207-3 87, 294	61-143 50, 116
55-91400 367	59-120 15, 284	59-210 87, 294	61-145 63, 67, 118
57-	59-120-3 15, 284	59-212-3 89, 294	61-145-1 63, 67, 118
57-117-1 32, 271	59-121 23, 285	59-215 85, 295	61-146 69, 118, 128
57-120-1 54, 271	59-122 25, 285	59-216-3 85, 295	61-147 65, 118
		59-218 295	61-148 71, 118
		59-219 295	61-149 73, 119
		59-220 91, 295	
		59-221 91, 296	
		59-304 3, 279	
		59-305 279	

NUMERICAL INDEX - WAI# to PAGE

NUMERICAL INDEX - WAI# to PAGE

61-150	36	61-8324	127	62-1403-1	5, 245	62-3600	3, 242
61-151	40, 115	61-8400	19, 114	62-1404	5, 77, 79, 245	62-3601	3, 242
61-152	40	61-8401	19, 115	62-1405	5, 245	62-3700	3, 242
61-160	36	61-8402	130	62-1406	11, 15, 245	62-5700	258
61-200	85, 119	61-8403	130	62-1406-1	11, 17, 245	62-5800	258
61-203	85, 119	61-8404	130	62-1407	5, 77, 79, 245	62-6300	268
61-203-1	119	61-8405	130	62-1408	5, 77, 79, 245	62-6500	268
61-207	87, 89, 120	61-8406	130	62-1408-1	5, 77, 79, 245	62-6500-1	268
61-207-1	120	61-8407	131	62-1500	11, 17, 246	62-6600	268
61-209	120	61-8408	131	62-1500-1	11, 17, 246	62-6601	268
61-210-1	93, 120	61-9100	107	62-1500-2	11, 17, 246	62-6603	268
61-211	93, 97, 120	61-9101	109	62-1500-S	11, 17, 246	62-6700	269
61-211-1	93, 121	61-9104	107	62-1501	5, 11, 17, 246	62-7600	630
61-212	91, 120	61-9105	107	62-1501-1	5, 11, 17, 246	62-81200	254
61-215	99, 121	61-9109	109	62-1501-2	5, 11, 17, 246	62-81300	254
61-700	637	61-9110	108	62-1501-3	5, 11, 17, 246	62-81301	255
61-702	637	61-9112	110	62-1501-D	5, 11, 17, 247	62-81400	255
61-703	637	61-9113	110	62-1501-S	5, 11, 17, 247	62-81401	255
61-704	629	61-9117	108	62-1502	247	62-81402	255
61-705	629	61-9118	108	62-1503	44, 247	62-81402-1	255
61-706	629	61-9119	110	62-1504	23, 25, 27, 29,	62-81404	255
61-707	629	61-9120	110		32, 50, 54, 247	62-81408	256
61-708	629	61-9121	108	62-1504-1	23, 25, 27, 29,	62-81409	256, 265
61-709	629	61-9124	110		32, 50, 54, 247	62-81500	256
61-710	629	61-9125	111	62-1505	11, 17, 23, 25,	62-81501	256
61-711	629	61-9126	108		27, 29, 247	62-81502	256
61-1200-1	5, 77, 79, 135	61-9127	111	62-1506	44, 60, 247	62-81601	257
61-1201	9, 15, 135	61-9129	112	62-1600	44, 50, 54, 60, 248	62-81700	257
61-1203	5, 9, 135	61-9130	112	62-1600-1	44, 50, 54, 60, 248	62-81701	257
61-1204-1	9, 15, 135	61-9131	112	62-1600-7	44, 50, 54, 60, 248	62-81702	257
61-1701	5, 373	61-9133	109	62-1601	60, 248	62-81703	257
61-2201	93, 97, 135	61-9134	111	62-1603-8	44, 54, 60, 248	62-81800	257
61-2202-1	83, 85, 136	61-9135	109	62-1700	11, 17, 248	62-81802	258
61-2203-1	87, 89, 136	61-9136	111	62-1701	11, 17, 249	62-81900	258
61-2204	83, 85, 136	61-9140	109	62-1702	23, 25, 27, 29, 249	62-82200	265
61-2205-1	89, 136	61-9148	112	62-1703	11, 17, 249	62-82400	266
61-3201	3, 135	61-9149	113	62-1704	11, 249	62-82401	266
61-8100	122	61-9150	113	62-1800	44, 60, 249	62-82402	266
61-8101	121	61-9151	113	62-1801	54, 249	62-82403	266
61-8103	121	61-9202	101, 124	62-1802	32, 50, 250	62-82404	266
61-8105	121	61-9203	101, 124	62-1803	69, 75, 250	62-82405	266
61-8106	123	61-9204	101, 125	62-1804	67, 250	62-82406	267
61-8106-1	122	61-9205	101, 125	62-1805	69, 250	62-82600	267
61-8108	122	61-9206	125	62-1806	65, 71, 73	62-82800	267
61-8110	124	61-9301	126	62-1903	63, 250	62-82801	267
61-8111	123	61-9302	126	62-2200	93, 251	62-82900	268
61-8112	123	61-9303	126	62-2201	99, 251	62-83300	260, 262
61-8113	123	61-9416	134	62-2300	93, 251	62-83301	105, 260, 262
61-8114	123	61-9417	134	62-2301	93, 97, 251	62-83302	105, 260, 262
61-8115	124	61-9900	119	62-2400	3, 81, 83, 87,	62-83303	260, 262
61-8119	122				89, 241, 252	62-83304	262
61-8120	124			62-2400-1	3, 81, 83, 87,	62-83400	263
61-8121	122				89, 241, 252	62-83402	263
61-8200	131			62-2401	87, 252	62-83403	263
61-8202	131			62-2402	81, 83, 85, 87,	62-83404	260, 263
61-8203-2	132				89, 93, 97, 252	62-83405	263
61-8204	132			62-2402-1	81, 83, 85, 87,	62-83500	263
61-8207	132				89, 93, 97, 252	62-83501	264
61-8208	133			62-2402-2	81, 83, 85, 87,	62-83502	264
61-8209	133				89, 95, 97, 252	62-83600	103, 264
61-8211	132			62-2402-3	81, 83, 85, 87,	62-83700-8	264
61-8214	133				89, 95, 97, 252	62-84500	19, 250
61-8217	133			62-2403	85, 87, 89, 95, 99, 252	62-84501	265
61-8218	134			62-2403-1	95, 99, 253	62-84502	19, 251
61-8302-1	103, 126			62-2403-2	95, 99, 253	62-84503	19, 251
61-8303	126			62-2404	81, 253	62-84505	265
61-8310	127			62-2500	95, 253	62-84700	265
61-8311	105, 128			62-2600	87, 253	62-85900	261
61-8312	127			62-2600-1	87, 253	62-85901	261
61-8313	125, 128			62-2600-2	87, 253	62-91200	237
61-8314	127			62-2601	253	62-91300	237, 264
61-8315	127			62-2603	254	62-91302	237
61-8316	128			62-2604	83, 85, 87, 89, 254	62-91305	237
61-8317	129			62-2604-1	83, 85, 87, 89, 254	62-91308	237
61-8318	129			62-2605	81, 254	62-91400	238
61-8320	128			62-2606	254	62-91401	238
61-8322	129			62-2700	95, 97, 99, 254	62-91402	238, 258
61-8323	129			62-3400	3, 242	62-91403	238

62-

NUMERICAL INDEX - WAI# to PAGE

62-91404	238	66-156	40	66-1610	23, 27, 525	66-8146	469
62-91407	238	66-160	36	66-1655	67, 69, 75, 525	66-8149-1	469
62-91408	239	66-200	466	66-1700	46, 47, 525	66-8150-1	476
62-91409	239	66-202	467	66-1701	57, 525	66-8151-1	476
62-91410	239	66-203	467	66-1701-1	57, 525	66-8152-1	473
62-91411	239	66-205-2	95, 468	66-1702	12, 77, 525	66-8153	478
62-91500	240	66-205-3	468	66-1703	13, 525	66-8156-5	478
62-91502	240	66-207-2	95, 99, 468	66-1705	79, 526	66-8157-1	478
62-91600	240	66-208-2	95, 99, 468	66-1706	79, 526	66-8158-5	476
62-91601	240	66-208-3	468	66-1750	5, 11, 12, 13, 17, 526	66-8159	476
62-91700	240	66-209-2	95, 97, 469	66-1751	46, 526	66-8202	501
62-91701	241	66-210	91, 467	66-1753	47, 526	66-8203	500
62-91702	241, 258	66-300	3, 447	66-1755	13, 526	66-8205-5	501
62-91901	241	66-302	3, 447	66-1756	13, 526	66-8209-2	500
62-92500	101, 259	66-303	447	66-1757	46, 47, 526	66-8209-3	500
62-92501	259	66-600	504	66-1758	12, 57, 526	66-8210	499
62-92600	101, 259	66-601	478	66-1759	57, 526	66-8211	502
62-92900	101, 259	66-1200	46, 518	66-1760	57, 526	66-8212-1	500
62-93400	261	66-1201	46, 518	66-1762	12, 57, 527	66-8213	502
62-93500	261	66-1202	47, 518	66-1766	527	66-8214	503
62-93700	261	66-1203	47, 518	66-1767-1	5, 11, 12, 527	66-8215	503
62-94200	269	66-1204	46, 518	66-1771	527	66-8216	504
62-94201	269	66-1205	46, 518	66-1780	12, 527	66-8217	502
62-94400	269	66-1206	47, 519	66-1781	527	66-8300-2	484
62-94702	269	66-1207	47, 519	66-1787	532	66-8301	487
62-99500	251	66-1208	57, 519	66-1788	527	66-8302	486
		66-1209	57, 519	66-1791	13, 527	66-8303	486
		66-1212	79, 519	66-1807	79, 527	66-8305-1	489
		66-1214	57, 520	66-1808	79, 527	66-8306	485
		66-1216	13, 520	66-1811	527	66-8307-1	485
		66-1218	12, 520	66-1814	527	66-8308-2	491
		66-1220-1	79, 520	66-1825	67, 69, 75, 528	66-8309-2	103, 489
		66-1222	67, 75, 520	66-2201	95, 533	66-8309-3	489
		66-1223	67, 69, 75, 520	66-2201-2	533	66-8313-2	489
		66-1226	63, 79, 521	66-2202	95, 533	66-8316	491
		66-1227	40	66-2203	95, 533	66-8321-1	490
		66-1302-1	13, 521	66-2204	95, 533	66-8322-1	490
		66-1303	57, 521	66-2204-2	533	66-8323	492
		66-1308	12, 521	66-2401	95, 533	66-8325	494
		66-1310	57, 521	66-2402	95, 533	66-8326-2	481, 485
		66-1312	521	66-2550	533	66-8326-3	481, 485
		66-1315	57, 522	66-2551	533	66-8327	486
		66-1317	77, 522	66-2755	95, 533	66-8327-3	486
		66-1318	12, 522	66-2757	79, 95, 532, 534	66-8328	494
		66-1319	36	66-3350	3, 517	66-8330-2	482, 487
		66-1350	13, 522	66-3650	3, 517	66-8330-3	482, 487
		66-1400	47, 522	66-3700	3, 517	66-8331-1	488
		66-1401	46, 522	66-5200	537	66-8331-8	488
		66-1402	46, 47, 522	66-7000	636	66-8340	492
		66-1403	46, 522	66-7001-2	636	66-8344	494
		66-1404	47, 523	66-7002-1	636	66-8346	496
		66-1405	47, 523	66-8100-2	475	66-8347	495
		66-1406	47, 523	66-8101	473	66-8349	494
		66-1407	47, 523	66-8102	471	66-8350-2	493
		66-1408	12, 13, 523	66-8105-1	470	66-8351-2	491
		66-1409	57, 523	66-8107-5	472	66-8354-1	487
		66-1410	57, 523	66-8108-1	472	66-8356	489
		66-1411	57, 523	66-8110-5	475	66-8363-2	105, 493
		66-1414-1	12, 523	66-8111-5	471	66-8363-3	493
		66-1420	523	66-8113-2	470	66-8364	495
		66-1422	12, 13, 523	66-8114-1	470	66-8365	495
		66-1551	5, 11, 12, 13, 17, 77, 523	66-8116	469	66-8366	495
		66-1552	46, 47, 57, 524	66-8118	470	66-8367-1	491
		66-1553	11, 13, 17, 524	66-8120	471	66-8368	496
		66-1554	63, 79, 524	66-8120-3	471	66-8369	487
		66-1600	5, 11, 17, 77, 524	66-8121	475	66-8370	496
		66-1600-1	5, 11, 17, 77, 524	66-8123	473	66-8371	497
		66-1601	5, 11, 17, 524	66-8128-5	474	66-8372	496
		66-1602	23, 27, 524	66-8131	473	66-8373-1	491
		66-1603	25, 29, 524	66-8134-1	475	66-8375	497
		66-1604	44, 60, 524	66-8135	477	66-8377	488
		66-1605	44, 60, 524	66-8136-2	477	66-8378	492
		66-1605-1	44, 60, 524	66-8137	477	66-8379	492
		66-1606	32, 50, 54, 524	66-8138-2	477	66-8380	493
		66-1607	32, 50, 54, 525	66-8141	476	66-8400-2	497
		66-1608	25, 29, 525	66-8143	474	66-8402-2	497
		66-1609	63, 79, 525	66-8144	474	66-8404-2	19, 450
				66-8145	474	66-8405-2	19, 451

NUMERICAL INDEX - WAI# to PAGE

NUMERICAL INDEX - WAI# to PAGE

69-702	637	69-8210	225	71-1110	11, 374	71-2303	85, 402
69-1200	5, 226	69-8211	225	71-1111	11, 374	71-2304	85, 89, 402
69-1201	11, 17, 23, 25, 27, 29, 226	69-8300	220	71-1112	11, 17, 375	71-2309	95, 402
69-1201-1	11, 17, 23, 25, 27, 29, 226	69-8301	103, 220	71-1113	75, 375	71-2310	95, 402
69-1201-2	11, 17, 23, 25, 27, 29, 226	69-8301-1	103, 220	71-1114	75, 375	71-2313	95, 402
69-1201-3	11, 17, 23, 25, 27, 29, 226	69-8302	220	71-1115	69, 73, 375	71-2317	95, 97, 403
69-1202	11, 17, 23, 25, 27, 29, 227	69-8306	220	71-1116	65, 375	71-2319	97, 403
69-1202-1	11, 227	69-8306-3	220	71-1117	71, 375	71-2320	99, 403
69-1202-2	11, 17, 23, 25, 27, 29, 227	69-8308	219, 220	71-1300	5, 375	71-3100	3, 517
69-1204	17, 227	69-8308-1	219, 221	71-1301	5, 375	71-3101	3, 518
69-1205	23, 25, 27, 227	69-8309	221	71-1302-1	11, 375	71-5300	537
69-1215	32, 227	69-8311	221	71-1303	11, 375	71-81301	414
69-1404	32, 50, 54, 227	69-8312	105, 221	71-1304-1	11, 17, 375	71-82102	422
69-1409	32, 50, 54, 227	69-8312-1	105, 221	71-1305	67, 375	71-82300	422
69-1500	5, 227	69-8313-3	221	71-1306	23, 25, 27, 29, 44, 60, 529	71-82301	422
69-1501	11, 17, 25, 27, 29, 227	69-8314-1	221	71-1307	79, 376	71-82302	422
69-1503	11, 17, 227	69-8315	219, 222	71-1308	32, 50, 54, 376	71-82303	422
69-1503-3	11, 17, 227	69-8317	222	71-1309	32, 44, 50, 54, 60, 376	71-82304	423
69-1504	17, 227	69-8318	222	71-1310	44, 60, 376	71-82305	423
69-1505	23, 25, 27, 29, 228	69-8319	222	71-1311	32, 44, 50, 54, 60, 376	71-82306	423
69-1515	23, 27, 228	69-8320	222	71-1312	5, 376	71-82307	423
69-1700	5, 228	69-8321	219	71-1313	32, 50, 54, 529	71-82308	423
69-1701	11, 17, 228	69-8322	223	71-1314	44, 60, 376	71-82309	423
69-1703	23, 25, 27, 29, 228	69-8323	223	71-1315	23, 25, 27, 29, 376	71-82310	424
69-1704	44, 60, 228	69-8324	223	71-1316	11, 17, 529	71-82311	424
69-1705	44, 60, 228	69-8400	19, 216	71-1317	32, 376	71-82312	424
69-1706	32, 50, 54, 228	69-8400-1	19, 216	71-1319	63, 99, 376, 401	71-82313	424
69-1707	17, 228	69-8501	219	71-1320	63, 376	71-82314	424
69-1708	63, 77, 79, 228	69-9100	209	71-1321	376	71-82316	417, 424
69-1709	228	69-9102	209	71-1322	77, 79, 376	71-82317	424
69-1710	63, 67, 71, 228	69-9105	209	71-1323	77, 79, 377	71-82321	425
69-1714	40	69-9105-3	209	71-1324	77, 79, 377	71-82322	425
69-1715	36	69-9106	209	71-1325	79, 377	71-82324	425
69-2200	229	69-9106-3	209	71-1326	79, 377	71-82325	425
69-2201	83, 89, 229	69-9109	210	71-1329	69, 75, 377	71-82502	19, 379, 425
69-2201-3	83, 89, 229	69-9110	210	71-1330	75, 377	71-82504	425
69-2202	85, 229	69-9111	210	71-1331	69, 75, 377	71-82506	425
69-2202-3	85, 229	69-9111-3	210	71-1332	77, 377	71-82507	105, 417, 425
69-2203	87, 229	69-9113	210	71-1333	67, 377	71-82510	425
69-2204	85, 229	69-9114	210	71-1335	69, 377	71-82512	551
69-2206	95, 230	69-9115	211	71-1338	71, 73	71-82513	426
69-2206-1	95, 230	69-9116	211	71-1339	65, 377	71-82514	426
69-2400	87, 230	69-9117	211	71-1340	529	71-82516	551
69-2401	230	69-9118	211	71-1341	23, 27, 377	71-82517	426
69-2702	83, 85, 89, 230	69-9121	211	71-1342	36	71-82518	551
69-2704	95, 230	69-9121-3	211	71-1343	40, 377	71-82700	426
69-2706	97, 230	69-9125	212	71-1345	40	71-82701	426
69-3200	3, 226	69-9200	101, 218	71-1346	36, 40	71-83100	416, 418
69-3700	3, 87, 226, 230	69-9200-3	101, 218	71-1348	36	71-83101	105, 418
69-6200	232, 630	69-9201	101, 219	71-1500	23, 25, 27, 29, 32, 44, 50, 54, 60, 378	71-83102	105, 418
69-7200	630	69-9900	216	71-1501	25, 29, 103, 378	71-83105	418
69-8101	217	69-82701	232	71-1503	23, 25, 27, 29, 32, 44, 50, 54, 378	71-83302	105, 416, 418
69-8105	217	69-83701	231	71-1504	19, 23, 27, 32, 40, 44, 50, 54, 60, 79, 103, 105, 378	71-83500	103, 418
69-8113	217	69-83702	231, 232	71-1505	378	71-83501	105, 418
69-8113-3	217	69-84700	19, 229	71-1507	32, 50, 54, 378	71-84100	19, 379
69-8115	218	69-91703	225	71-1508	23, 27, 32, 50, 54, 378	71-84101	19, 379
69-8115-3	218	69-91704	225	71-1509	60, 378	71-84102	19, 379
69-8117	218	69-91706	225	71-1510	32, 50, 54, 378	71-84103	19, 529
69-8117-3	218	69-91707	225	71-1513	36	71-84300	379
69-8118	218	69-91708	226	71-1514	40	71-84500	19, 379
69-8118-1	218	69-92700	101, 231	71-1515	40	71-84700	19, 379
69-8120	218	69-94200-1	232	71-1700	11, 17, 378	71-85300	417
69-8200	223	69-94201	232	71-1701	44, 54, 60, 379	71-85302	417
69-8201	223	69-94700	232	71-1702	32, 50, 379	71-91103	367
69-8201-3	223			71-1703	23, 25, 27, 29, 379	71-91304	367
69-8202	224			71-1704	36, 40	71-91309	226
69-8203	224			71-2100	87, 89, 401	71-91314	367
69-8204	224			71-2101	81, 83, 402	71-91315	367
69-8205	224			71-2102	85, 402	71-91316	367
69-8206-1	224			71-2103	95, 402	71-94100	431
69-8207-1	224			71-2104	402	71-94300	431
69-8208	225			71-2301	81, 83, 89, 402		
				71-2302	85, 402		

71-

72-

NUMERICAL INDEX - WAI# to PAGE

72-1104	44, 60, 380	76-1255	54, 382	76-1800-1	7, 11, 63, 65, 67, 69, 71, 73, 75, 77, 79, 385, 419	76-2300	87, 89, 406
72-1105	33, 50, 54, 380	76-1256	60, 382			76-2301	81, 83, 85, 406
72-1106	33, 50, 54, 380	76-1257	33, 382	76-1801	7, 11, 63, 65, 67, 69, 71, 73, 75, 77, 79, 385, 419	76-2302	95, 97, 406
72-1107	33, 50, 54, 380	76-1260	33, 383			76-2304	230
72-1108	33, 50, 54, 380	76-1261	54, 383			76-2305	231
72-1109	60, 380	76-1262	33, 50, 383	76-1802	7, 11, 385	76-2306	87, 406
72-1110	60, 380	76-1264	54, 383	76-1803	67, 386	76-2307	97, 406
72-1111	17, 380	76-1301	23, 25, 27, 29, 33, 44, 50, 54, 60, 530	76-1804	11, 17, 23, 25, 27, 29, 386	76-2310	91
72-1112	380					76-2311	99, 406
72-1113	40	76-1302	23, 25, 27, 29, 33, 44, 50, 54, 60, 530	76-1805	11, 17, 23, 25, 27, 29, 386	76-2500	87, 407
72-1114	40					76-2501	87, 407
72-1115	40	76-1303	5, 383	76-1806	63, 67, 386	76-2502	87, 407
72-1400	33, 50, 54, 381	76-1304	25, 29, 383	76-1807	23, 25, 27, 29, 386	76-2503	87, 407
72-1401	44, 46, 60, 381, 530	76-1305	5, 11, 79, 383	76-1809	33, 386	76-2504	87, 407
72-1404	23, 25, 27, 29, 381	76-1306	63, 383	76-1810	33, 386	76-2505	89, 407
72-2100	81, 403	76-1307	5, 77, 79, 383	76-1825	33, 50, 54, 386	76-2506	81, 407
72-2101	87, 403	76-1308	79, 383	76-1826	33, 50, 54, 386	76-2507	81, 407
72-2102	87, 403	76-1309	7, 11, 79, 383	76-1827	33, 40, 50, 54, 386	76-2508	407
72-2103	87, 403	76-1310	7, 11, 79, 383	76-1827	33, 40, 50, 54, 386	76-2509	85, 407
72-2104	83, 89, 403	76-1311	7, 11, 79, 384	76-1831	11, 17, 23, 25, 27, 29, 44, 60, 386	76-2510	85, 407
72-2108	83, 85, 89, 403	76-1312	67, 69, 384	76-1833	44, 60, 386	76-2511	83, 408
72-2109	83, 403	76-1313	71, 73	76-1834	33, 44, 50, 54, 60, 387	76-2512	83, 408
72-2111	85, 403	76-1314	65, 71, 73	76-1835	44, 60, 387	76-2513	83, 89, 408
72-2112	87, 403	76-1315	36, 40	76-1836	25, 29, 387	76-2514	89, 408
72-2113	81, 403	76-1316	40	76-1837	27, 29, 387	76-2550	87, 408
72-2115	95, 230	76-1550	384	76-1838	44, 54, 60, 387	76-2551	81, 408
72-2116	87, 89, 404	76-1552	46, 47, 530	76-1839	44, 60, 387	76-2552	87, 408
72-2117	81, 83, 85, 404	76-1553	46, 47, 530	76-1841	11, 25, 29, 387, 417	76-2554	87, 408
72-2118	97, 230	76-1554	46, 47, 530	76-1843	25, 29, 387	76-2555	87, 408
72-2400	87, 404	76-1555	46, 47, 530	76-1844	23, 27, 33, 44, 50, 54, 60, 387	76-2557	83, 89, 408
72-2401	87, 230	76-1556	47, 530	76-1846	44, 387	76-2560	85, 408
72-2402	81, 83, 87, 404	76-1559	13, 530	76-1848	17, 387	76-2561	85, 408
72-2404	89, 404	76-1560	12, 13, 530	76-1851	63, 387	76-2562	95, 534
72-2405	230	76-1563	12, 13, 530	76-1855	7, 11, 63, 67, 69, 75, 77, 79, 387	76-2602	95, 231
72-2408	83, 85, 89, 404	76-1564	57, 531	76-1859	19, 388	76-2603	95, 408
72-2410	85, 404	76-1565	57, 531	76-1861	63, 388	76-2700	87, 89, 408
72-82100	426	76-1566	57, 531	76-1862	63, 388	76-2701	81, 83, 85, 409
72-82101	426	76-1567	57, 531	76-1863	75, 388	76-2800	81, 83, 85, 87, 89, 95, 99, 409
72-82102	426	76-1568	531	76-1864	75, 388	76-2801	81, 83, 85, 87, 89, 95, 99, 409
72-82103	427	76-1569	12, 57, 531	76-1865-1	75, 388	76-2801-1	81, 83, 85, 87, 89, 95, 99, 409
72-82104	427	76-1571	33, 50, 384	76-1866-1	71, 73	76-2801-2	81, 83, 85, 87, 89, 95, 99, 409
72-82400	551	76-1575	57, 531	76-1867	33, 50, 54, 388	76-2804	83, 89, 409
72-82402	551	76-1576	57, 531	76-1874-1	69, 71, 73, 388	76-2805	85, 409
72-82408	427	76-1577	12, 531	76-1875	69, 71, 73, 389	76-2808	95, 413
72-82409	551	76-1578	12, 532	76-1876-1	69, 71, 73, 389	76-2809	95, 409
72-82410	551	76-1579	57, 532	76-1881	65, 389	76-2810	95, 409
72-82411	552	76-1585	57, 532	76-1882	65, 389	76-2811	95, 97, 409
72-82412	552	76-1586	79, 532	76-1883	65, 389	76-2812	95, 97, 99, 105, 409, 419
72-82413	552	76-1587	79, 532	76-1886	36		
72-82415	552	76-1589	77, 532	76-1887	40		
72-82417	552	76-1591	67, 69, 75, 532	76-1888	36, 40	76-2814	95, 97, 409
72-83101	103, 419	76-1594	384	76-1889	36, 40, 389	76-2816	95, 97, 409
72-83102	103, 105, 419	76-1598	36	76-1890	36, 40, 389	76-2818	85, 95, 409
72-84101	19, 381	76-1600-1	7, 384	76-1891	36, 40, 390	76-2819	95, 99, 414
72-94100	232	76-1601	11, 384	76-1954	11, 17, 23, 25, 27, 29, 44, 60, 390	76-2820	95, 410
72-94400	431	76-1602	17, 23, 25, 27, 29, 384			76-2822	95, 410
		76-1604	33, 44, 50, 54, 60, 384	76-2100	87, 404	76-2823	97, 410
		76-1605	33, 50, 54, 384	76-2101-1	87, 89, 404	76-2824	97, 410
		76-1607	7, 384	76-2103	81, 83, 404	76-2825	95, 410
		76-1607-1	7, 384	76-2104	85, 405	76-2826	95, 410
		76-1608	7, 384	76-2104-1	85, 405	76-2827	95, 410
		76-1608-1	7, 385	76-2109	405	76-2828	91
		76-1609	17, 385	76-2110-1	89, 405	76-2829	91
		76-1612	11, 385	76-2111	85, 405	76-2830	99, 410
		76-1616	79, 385	76-2112	87, 89, 405	76-2831	99, 410
		76-1617	385	76-2114	95, 405	76-2832	99, 411
		76-1618	75	76-2115	405	76-3100	3, 372
		76-1622	11, 385	76-2116	390	76-3550	3, 226
		76-1625	11, 385	76-2116-1	390	76-3801	3, 372
		76-1626	40	76-2200	87, 89, 405	76-7550	555
		76-1701	23, 25, 27, 29, 33, 44, 50, 54, 60, 532	76-2203	83, 85, 406	76-7552	543
		76-1702	36, 40, 385	76-2203-1	83, 85, 406	76-7553	95, 534
		76-1703	36, 40, 385	76-2204	89, 406	76-81100	414
		76-1800	7, 11, 63, 65, 67, 69, 71, 73, 75, 77, 79, 385, 419	76-2252	83, 85, 406	76-81801	414
				76-2253	83, 85, 89, 406	76-81802	414

76-

NUMERICAL INDEX - WAI# to PAGE

NUMERICAL INDEX - WAI# to PAGE

84-1435	33, 50, 55, 652	84-4102	95, 675	84-7401	81, 87, 681	85-1317	95, 97, 666
84-1437	17, 664	84-4201	3, 7, 13, 23, 25, 29, 674	84-7500	23, 25, 27, 29, 681	85-1318	95, 666
84-1438	17, 664	84-4203	3, 675	84-7501	12, 13, 681	85-1319	95, 99, 659
84-1441	79, 651	84-4204	674	84-7600	45, 61, 681	85-1320-1	95, 97, 657
84-1443	663	84-4300	7, 11, 12, 13, 17, 675	84-7601	3, 682	85-1322	667
84-1444	663	84-4303	675	84-7602	3, 682	85-1323	666
84-1500	3, 653	84-4304	3, 13, 57, 675	84-7603	81, 83, 85, 87, 89, 682	85-1324	665
84-1501	653	84-4305	11, 17, 675	84-7604	81, 83, 85, 87, 89, 682	85-1326	657
84-1502	11, 17, 23, 25, 27, 29, 33, 45, 50, 55, 60, 653	84-4306	21, 675	84-7605	7, 77, 79, 681	85-1327	21, 659
84-1503	81, 83, 85, 87, 89, 653	84-4307	675	84-7606	7, 11, 682	85-1328	21, 668
84-1503-1	81, 83, 85, 87, 89, 653	84-4309	3, 11, 12, 17, 23, 25, 27, 29, 67, 69, 75, 79, 675	84-7607	7, 681	85-1329	21, 658
84-1504	33, 50, 55, 653	84-4310	675	84-7608	7, 11, 682	85-1330	21, 103, 659
84-1506	75, 653	84-4311	33, 50, 55, 675	84-7700	3, 683	85-1331	21, 658
84-1507	75, 653	84-4400	3, 11, 17, 676	84-7701	3, 682	85-1332	21, 91, 657
84-1600	45, 55, 60, 654	84-4401	3, 7, 11, 17, 21, 23, 27, 33, 45, 50, 55, 61, 81, 83, 85, 87, 89, 675	84-7703	3, 683	85-1333	666
84-1601	45, 55, 60, 654	84-4402	3, 11, 17, 21, 25, 29, 67, 69, 75, 79, 81, 87, 95, 103, 105, 676	84-7704	3, 684	85-1334	658
84-2100	3, 81, 83, 85, 87, 89, 669	84-4403	676	84-7705	3, 682	85-1335	667
84-2101	85, 669	84-4405	25, 29, 81, 87, 103, 676	84-7706	11, 17, 23, 25, 27, 29, 683	85-1336	103, 105, 659
84-2200	3, 7, 13, 23, 25, 29, 669	84-4407	103, 676	84-7707	45, 55, 61, 683	85-1337	658
84-2201	13, 669	84-4410	3, 11, 17, 676	84-7708	33, 50, 684	85-1338	75, 665
84-2301	81, 87, 669	84-4500	13, 23, 25, 27, 29, 676	84-7708-1	33, 50, 684	85-1339	75, 665
84-2302	3, 669	84-4501	23, 25, 27, 29, 676	84-7709	11, 17, 683	85-1340	69, 75, 657
84-2303	669	84-4503	81, 83, 85, 87, 89, 677	84-7711	682	85-1344	95, 666
84-2304	669	84-4503-1	81, 83, 85, 87, 89, 677	84-8900	7, 11, 17, 77, 688	85-1345	667
84-2305	47, 57, 669	84-4506	57, 676	84-8901	23, 25, 27, 29, 33, 45, 50, 55, 61, 688	85-1346	657
84-2306	670	84-4507	57, 676	84-8903	3, 688	85-1347	105, 657
84-2307	669	84-4600	33, 36, 45, 46, 47, 50, 55, 61, 677	84-8905	3, 97, 688	85-1349	658
84-2308	11, 17, 23, 25, 27, 29, 669	84-4603	45, 46, 47, 61, 677	84-8906	33, 40, 50, 55, 688	85-1351	36
84-2310	12, 669	84-4604	61, 678	84-8907	33, 50, 688	85-1354	103, 105, 668
84-2312	670	84-4606	678	84-8909	688	85-1355	67, 71, 667
84-2401	670	84-4609-1	678	84-8910	67, 69, 75, 688	85-1357	69, 73, 666
84-2402	670	84-4610	11, 17, 23, 25, 27, 29, 45, 677	84-8913	688	85-1358	67, 71, 667
84-2403	670	84-4613	11, 17, 33, 50, 55, 677	84-8915	688	85-1359	91, 97, 659
84-2404	670	84-4614	3, 677	84-8916	36, 40	85-1360	69, 73, 667
84-2405	670	84-4615	11, 17, 677	84-9300	649	85-1361	665
84-2406	670	84-4616	677	84-9301	649	85-1362	667
84-2407	3, 11, 17, 87, 670	84-4617	33, 36, 40, 50, 55, 57, 677	84-9302	46, 57, 650	85-1363	91
84-2407-1	3, 11, 17, 87, 670	84-4619	678	84-9303	649	85-1364	91
84-2408	23, 27, 671	84-4702	45, 55, 61, 678	84-9400	21, 651	85-1365	65, 71, 73, 657
84-2409	33, 45, 50, 55, 60, 670	84-4703	23, 25, 27, 29, 33, 45, 50, 55, 61, 678	85-1200	655	85-1366	65, 667
84-2500	12, 13, 23, 25, 27, 29, 671	84-4704	33, 50, 679	85-1201	655	85-1367	665
84-2501	81, 87, 670	84-4709	3, 678	85-1202	655	85-1368	658
84-2503	13, 23, 25, 27, 29, 33, 57, 671	84-4710	23, 25, 678	85-1204	67, 71, 99, 655	85-1369	665
84-2505	12, 13, 671	84-4712	95, 99, 678	85-1205	21, 654	85-1370	36, 40, 668
84-2600-1	33, 45, 46, 47, 50, 55, 57, 60, 671	84-4713	679	85-1205-1	21, 654	85-1374	36, 40
84-2601	671	84-4900	81, 87, 676	85-1206	655	85-1376	666
84-2602	33, 45, 46, 47, 50, 55, 57, 61, 671	84-4900-1	676	85-1208	656	85-1377	666
84-2603	46, 47, 671	84-4901	7, 11, 17, 77, 685	85-1208-1	656	85-1378	666
84-2605	672	84-4902	11, 17, 25, 29, 685	85-1209	654	85-1381	99, 668
84-2700	671	84-4903	33, 50, 55, 685	85-1210	656	85-1386	36, 40
84-2700-1	671	84-4905	81, 83, 85, 87, 89, 686	85-1213	21, 654	85-1389	99
84-3900	83, 85, 687	84-4906	85, 89, 686	85-1214	656	85-1401	659
84-3902	3, 687	84-4908	3, 686	85-1215	655	85-1402	659
84-3903	87, 687	84-4909	685	85-1216	65, 67, 69, 71, 73, 75, 656	85-1403	668
84-3905	87, 687	84-4910	85, 95, 686	85-1217	655	85-1504	21, 105, 659
84-3906	7, 687	84-4911	81, 83, 87, 89, 686	85-1219	656	85-1506	103, 659
84-3907	85, 687	84-4914	95, 685	85-1220	655	85-1507	65, 69, 71, 73, 75, 660
84-3908	3, 89, 687	84-4916	40	85-1223	656	85-1508	36
84-3909	83, 85, 89, 687	84-4918	689	85-1225	655	85-1509	40
84-3910	89, 687	84-4919	85, 89, 680	85-1301	665	85-2200	21, 672
84-3912	83, 687	84-7100	85, 89, 680	85-1302	665	85-2201	672
84-3913	687	84-7200	680	85-1302-1	665	85-2300	21, 672
84-3916	687	84-7201	681	85-1308	658	85-2301	95, 672
84-3917	686	84-7300	681	85-1309	657	85-2301-2	672
84-3918	686	84-7301	3, 681	85-1310	658	85-2304	12, 67, 69, 75, 79, 672
84-3919	686	84-7303	3, 13, 680	85-1312	657	85-2305	673
84-3921	686	84-7306	12, 680	85-1313	658	85-2307	21, 672
84-4100	81, 87, 674	84-7400	681	85-1315	63, 668	85-2309	672
84-4101	3, 46, 47, 674			85-1316	63, 657	85-2310	673

NUMERICAL INDEX - WAI# to PAGE

NUMERICAL INDEX - WAI# to PAGE

NUMERICAL INDEX - WAI# to PAGE

85-250312, 103, 105, 673	89-27663, 79, 694
85-2504673	89-278693
85-2505673	89-402699
85-250636, 40	89-601697
85-2507673	89-650692
85-250836	89-651692
85-2600674	89-652692
85-2601674	89-653692
85-2701674	89-702-1698
85-3200686	89-703-1698
85-3201687	89-704-1697
85-3202687	89-707-1698
85-3203687	89-710-1698
85-4302679	89-711-1698
85-430521, 679	89-712-1698
85-4306679	89-720-1698
85-4308679	89-721-1698
85-430940	89-723-1698
85-450012, 21, 103, 105, 679	89-726-1697
85-450121, 680	89-728-1698
85-450221, 680	89-729698
85-4503680	89-730698
85-4505680	89-731697
85-4601680	89-732697
85-4602680	89-900696
85-4905680	89-901696
85-591636	89-902696
85-750021, 685	89-903696
85-7501685	89-904695
85-7503685	89-906696
85-940165, 67, 69, 71, 73, 75,95, 679	89-907696
85-9500674	89-913696
		89-914696
		89-915697
		89-916697

88-

88-716699
88-718699
88-720699
88-721700
88-722700
88-730700
88-731700
88-733699
88-73495, 699

89-

89-100694
89-101695
89-102694
89-103695
89-106695
89-107695
89-108695
89-109695
89-111695
89-209691
89-210691
89-211691
89-212692
89-214691
89-216691
89-219691
89-250692
89-251692
89-252693
89-253693
89-266693
89-268693
89-269693
89-270693
89-271693
89-272694
89-27363, 79, 694
89-275694

100...

337022584
472006586
47200945, 55, 61, 586
48600945, 55, 61, 586
492009586
49700645, 55, 61, 586

C

CH104S694
--------	----------

D

D54-337P33, 583
D54-338P33, 583
D54-47911, 17, 23, 25, 27,29, 580
D54-48211, 17, 23, 25, 27,29, 581

Electronic Parts Catalog

WAI'S FASTFIND CD

featuring Transpo Electronics on CD-ROM



- 40,320 Units with 661,259 Bill of Material Records
- 54,720 Vehicle Application Records from 1973 thru 2006
- 17,450 Unit & Component Photos
- Over 300,000 Company Part Numbers Cross Referenced to WAI
- No Training or Manuals - Install and Go!

Now Available!

WAI'S ON-LINE ORDERING



- Parts Breakdown
- Application Lookup
- Part Cross Reference
- Pricing
- Stock Availability

www.waiglobal.com



WAI®

WAI

1101 Enterprise Drive
Royersford, PA 19468-4251 USA
Phone: 610-495-2200
Toll Free: 1-800-877-3340
Fax: 1-800-948-6121
www.waiglobal.com